

**SUGAR CANE COVER**

**CCC 300 HD**  
**CCC 300 HD**

**Code:** 0501093247  
**Series:** S-1220  
**Revision:** 00  
**Revision Date:** APRIL/2022

# **PARTS CATALOGUE**

***CIVEMASA***

A solid orange rectangular bar is positioned at the top left of the page, above the "PRODUCTS" heading.

# PRODUCTS

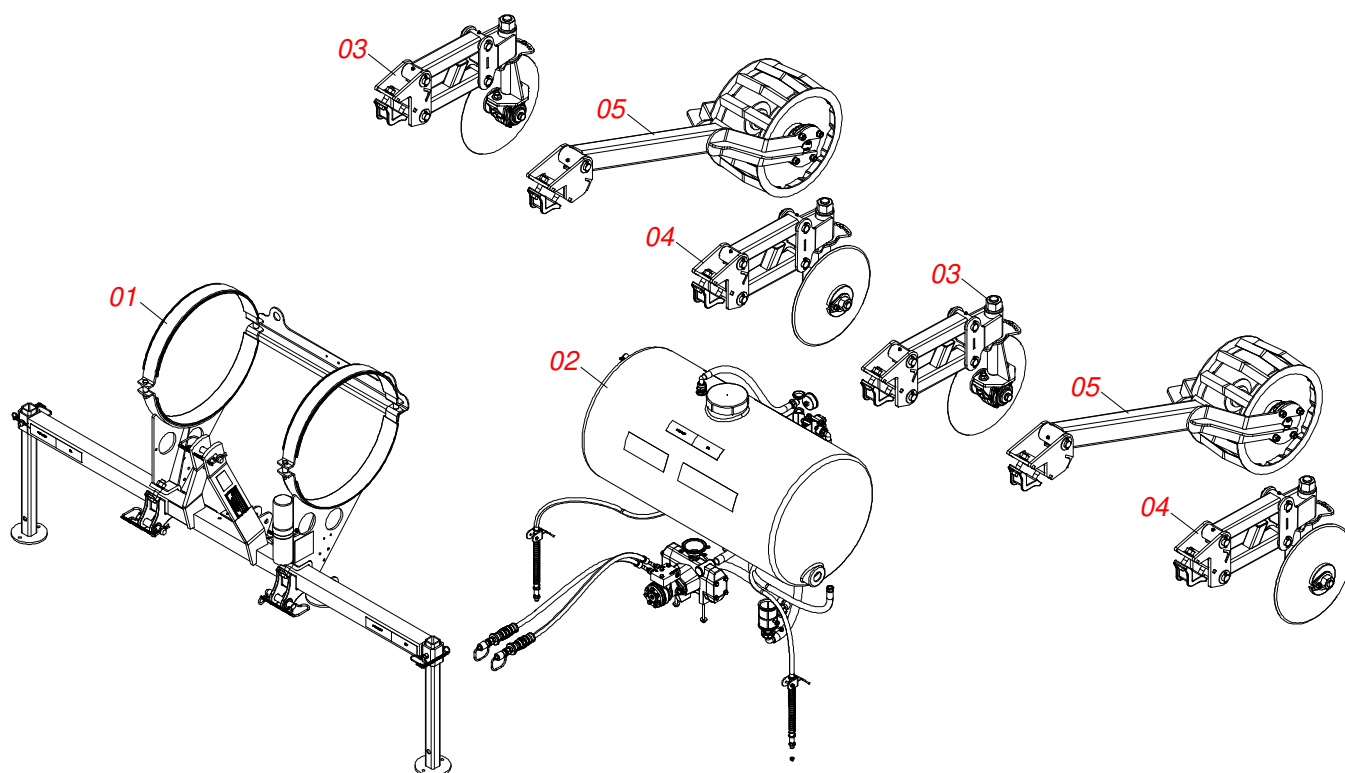
Code	Working Width	Description
0120310070		CCC-BP MH BS 2L 4D 2R CB T300 S-1220

## ATTENTION: IMPORTANT

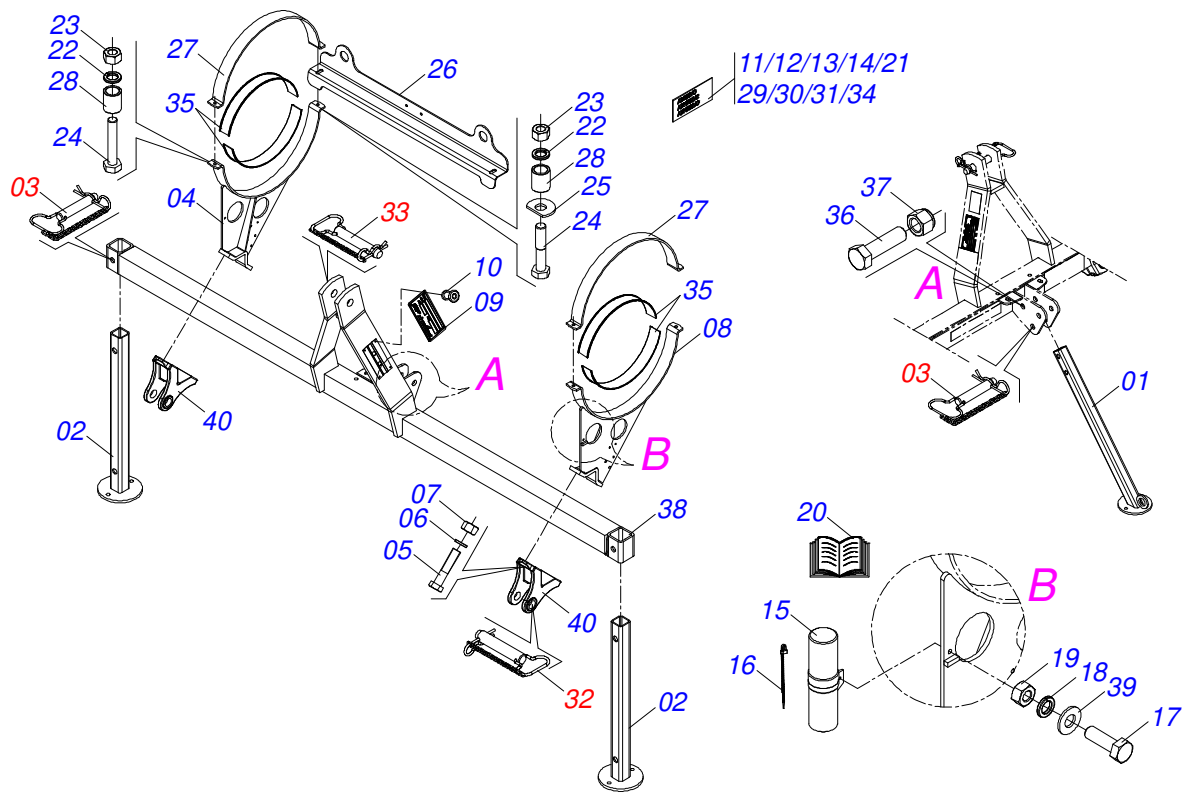
CIVEMASA reserves the right to improve and/or modify the technical features of its products, without obligation to do the same with those products already sold and without prior knowledge of the dealer or the customer. The photos are only illustrative.

# INDEX

0531040859	ASSY FRAME	.....	1
0531050714	SEMI-ASSEMBLED FRAME	.....	2
0521055307	AXIS 19,05 X EC 105 ASSY	.....	3
0521054328	AXLE 27,80 X EC 130 ASSY	.....	4
0521054135	AXLE 25,00 X EC 130 ASSY	.....	5
0531050715	PS PUMP SPRAY CIRCUIT 1.3 TO 1.5M	.....	6
0521057560	ENGINE WITH FULL LIMIT BLOCK	.....	7
0501053834	MALE QUICK COUPLER	.....	8
0503063370	SPRAY KIT	.....	9
0503063000	MANUAL COMMAND	.....	10
0503062999	FILTER SUCTION 1-1 / 4 ASSY	.....	11
0503063001	SEMI MOUNTED PUMP	.....	12
0503062998	ASSY NOZZLE SET	.....	13
0503063004	AGITATOR KIT	.....	14
0503063003	RESERVOIR OUTPUT ASSY	.....	15
0503063005	RETURN CONNECTION	.....	16
0503063002	1/2 ASSY HOSE T CONNECTION	.....	17
0521056157	300 LITER RESERVOIR WITH ADHESIVES	.....	18
0511045335	RIGHT DISC COVER ASSY	.....	19
0501052393	ARM OSCILLATING	.....	20
0501057760	ARM OSCILLATING LOWER ASSY	.....	21
0501049010	BEARING	.....	22
0511045336	DISK COVER LEFT ASSY	.....	23
0511045642	PRESSURE ROLLER	.....	24
0501052042	BOX BREAK ROLLER	.....	25

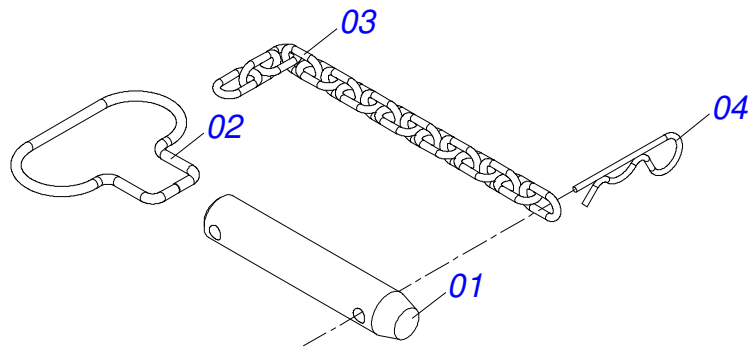


Item	Code	Description	See page	QT
01	0531050714	SEMI-ASSEMBLED FRAME	2	01
02	0531050715	PS PUMP SPRAY CIRCUIT 1.3 TO 1.5M	6	01
03	0511045335	RIGHT DISC COVER ASSY	19	02
04	0511045336	DISK COVER LEFT ASSY	23	02
05	0511045642	PRESSURE ROLLER	24	02

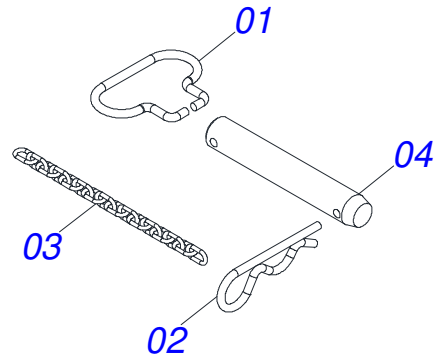


Item	Code	Description	See page	QT
01	0511067894	CENTER REST		01
02	0511067895	SIDE REST		02
03	0521055307	AXIS 19,05 X EC 105 ASSY	3	03
04	0511067958	TANK FIXER RIGHT SUPPORT		01
05	0503010901	3/4UNC 3.1/2 BOLT		04
06	0503010023	3/4" SPRING WASHER		04
07	0503010014	3/4" ZN G.5 (HEAVY) UNC HEX NUT		04
08	0511067893	TANK SUPPORT FIXATION		01
09	0503034004	ALUMINUM IDENTIFICATION DECAL		01
10	0503010001	RIVET 3,2 X 5,5		04
11	0503031739	DANGER DECAL		01
12	0503033038	DANGER DECAL		01
13	0503033647	APPROVED DECAL		01
14	0503031827	LUBRICATE AND RETIGHTEN DAILY DECAL		01
15	0503060100	SUPPORT INSTRUCTION MANUAL		01
16	0503010267	NYLON CLAMP 3,60 X 1,3 X 155 MM		01
17	0503010371	5/16" X 1" BOLT		01
18	0503010179	LOCK WASHER 5/16 ZN 1K01528		01
19	0503010337	NUT 5/16 UNC G.5 ZN		01
20	0501092319	INSTRUCTION MANUAL		01
21	0503013229	REFLECTIVE SIDE BAND		04
22	0503010019	1/2" SPRING WASHER		04
23	0503010060	1/2 UNC G.5 ZN HEX NUT		04
24	0503010479	BOLT		04
25	0521012451	FLAT WASHER		02
26	0581018390	SUPPORT FOR LIFTING		01
27	0551012147	TANK FIXER RIBBON		02
28	0581018388	GLOVE 16 X 22 X 32		04
29	0503031942	MANUAL SEAL DECAL		01
30	0503031428	READ MANUAL DECAL		01
31	0503034078	LIFTING POINTS DECAL		02
32	0521054328	AXLE 27,80 X EC 130 ASSY	4	02

<b>Item</b>	<b>Code</b>	<b>Description</b>	<b>See page</b>	<b>QT</b>
33	0521054135	AXLE 25,00 X EC 130 ASSY	5	01
34	0503034648	ADHESIVE LABEL		01
35	0581019243	STRAP RUBBER RESERVOIR 72X5,5		04
36	0503010797	3/4" X 4" BOLT		01
37	0503010152	3/4" SELF LOCKING NUT		01
38	0531062044	FRAME CCC BS 1,5 A 1,8M		01
39	0501010694	FLAT WASHER 32,50 X 75 X 4,75		01
40	0502011204	FRAME HITCH		02

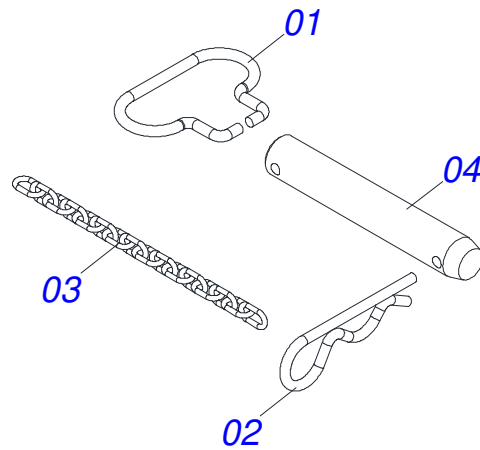


Item	Code	Description	See page	QT
01	0581019771	AXIS 19,05 X 105 X EC 75 FR 6,35		01
02	0503034794	HANDLE PIN HITCH 4MM		01
03	0503034756	3,00 X 16 CHAIN		01
04	0503030012	HITCH PIN CLIP		01

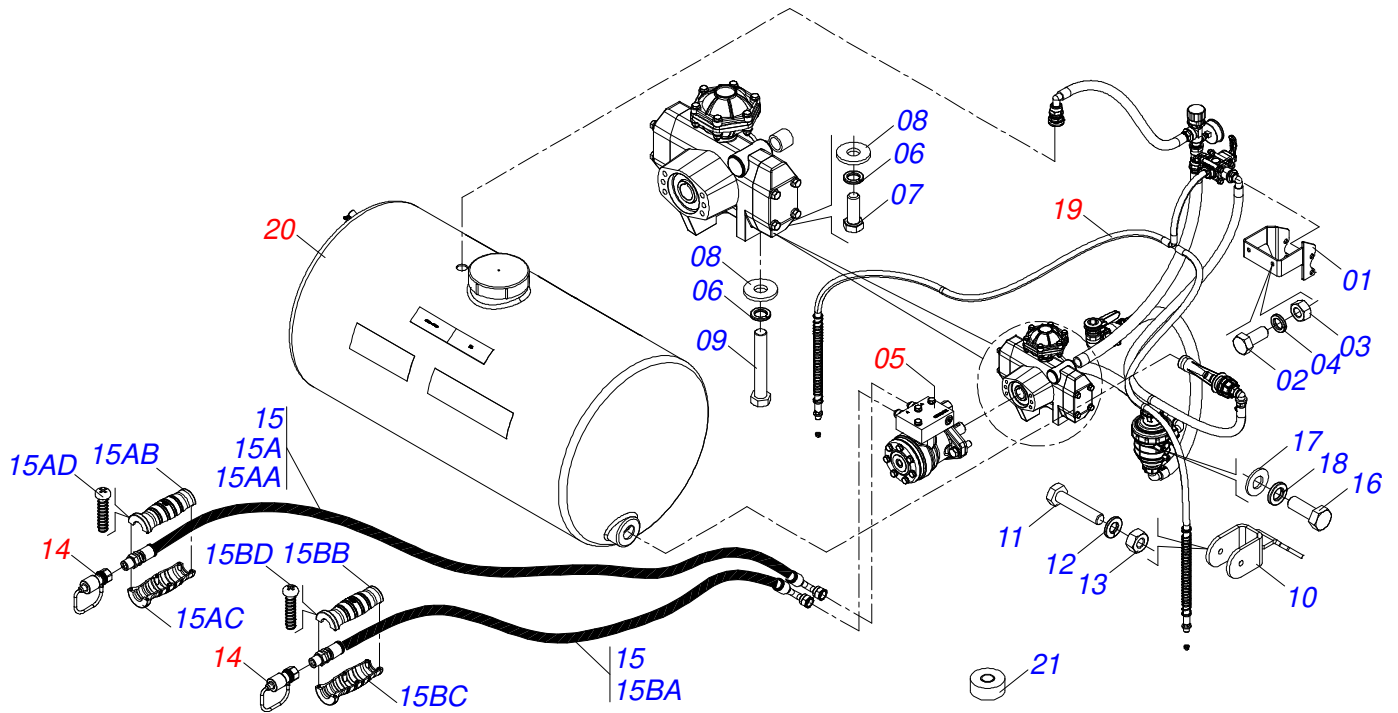


Item	Code	Description	See page	QT
01	0503034755	HANDLE PIN HITCH		01
02	0503031035	HITCH PIN CLIP		01
03	0503034756	3,00 X 16 CHAIN		01
04	0581018636	AXIS 27,80 X 155 X EC 130 FR 7,14		01

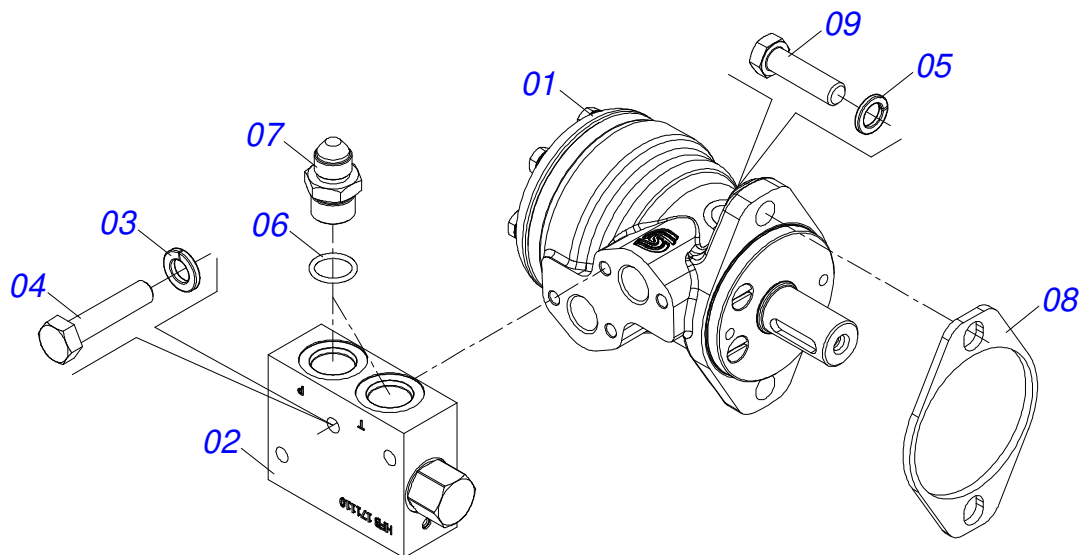




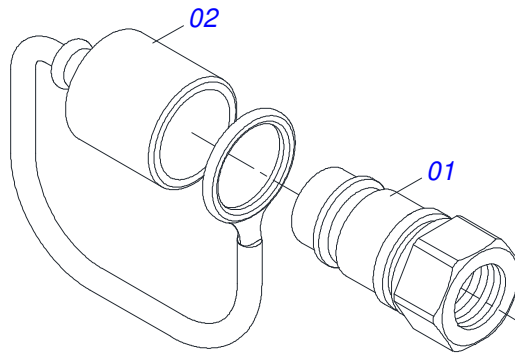
Item	Code	Description	See page	QT
01	0503034755	HANDLE PIN HITCH		01
02	0503031035	HITCH PIN CLIP		01
03	0503034756	3,00 X 16 CHAIN		01
04	0581018637	AXIS 25 X 155 X EC 130 FR 7,14		01



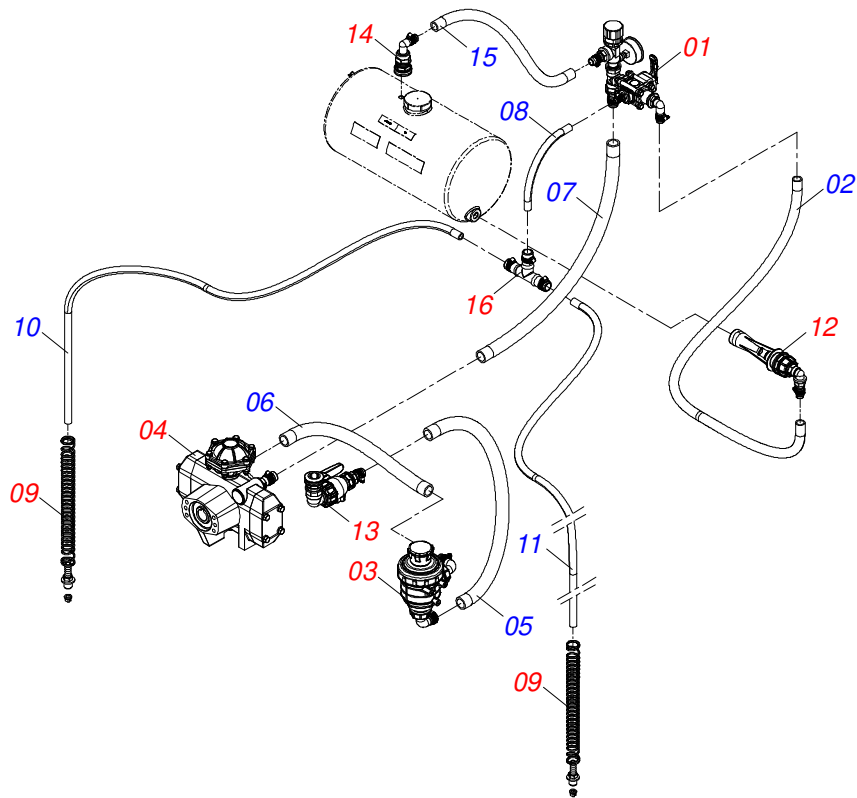
Item	Code	Description	See page	QT
01	0591010733	COMMAND FIXING SUPPORT		01
02	0503016506	5/16 UNC X 3/4 C S G.5 ZN BOLT		02
03	0503010337	NUT 5/16 UNC G.5 ZN		02
04	0503010179	LOCK WASHER 5/16 ZN 1K01528		02
05	0521057560	ENGINE WITH FULL LIMIT BLOCK	7	01
06	0503010025	3/8 SPRING WASHER		04
07	0503010237	3/8" X 1" BOLT		02
08	0501010984	10,50 X 27 X 3,00 FLAT WASHER		04
09	0503010481	BOLT		02
10	0511068483	SPRING SUPPORT		02
11	0503010373	SCREW 1/4 UNC X 2 CS G.2 ZN		02
12	0503010143	1/4" SPRING WASHER		02
13	0503010144	1/4" NUT		02
14	0501053834	MALE QUICK COUPLER	8	02
15	0521056156	HOSE ASSY		01
15A	0521056153	HOSE 3/8 X 1300 TC-TM YELLOW/BLUE		01
15AA	0501080620	3/8 X 1300 TC-TM HOSE		01
15AB	0503034493	HYDRAULIC HOSE DEPTH (YELLOW)		01
15AC	0503034494	HYDRAULIC HOSE GRIP (BLUE)		01
15AD	0503018952	PH 2,5 X 10 ZB PLASTIC BOLT		06
15B	0521056154	HOSE 3/8 X 1300 TC-TM YELLOW/RED		01
15BA	0501080620	3/8 X 1300 TC-TM HOSE		01
15BB	0503034493	HYDRAULIC HOSE DEPTH (YELLOW)		01
15BC	0503034495	HYDRAULIC HOSE GRIP (RED)		01
15BD	0503018952	PH 2,5 X 10 ZB PLASTIC BOLT		06
15C	0503033158	PLASTIC BAG		01
16	0503015114	BOLT		03
17	0501010694	FLAT WASHER 32,50 X 75 X 4,75		03
18	0503014371	M8 SPRING WASHER		03
19	0503063370	SPRAY KIT	9	01
20	0521056157	300 LITER RESERVOIR WITH ADHESIVES	18	01
21	0503013171	SEALING 1/2" X 10M 1J51066		01



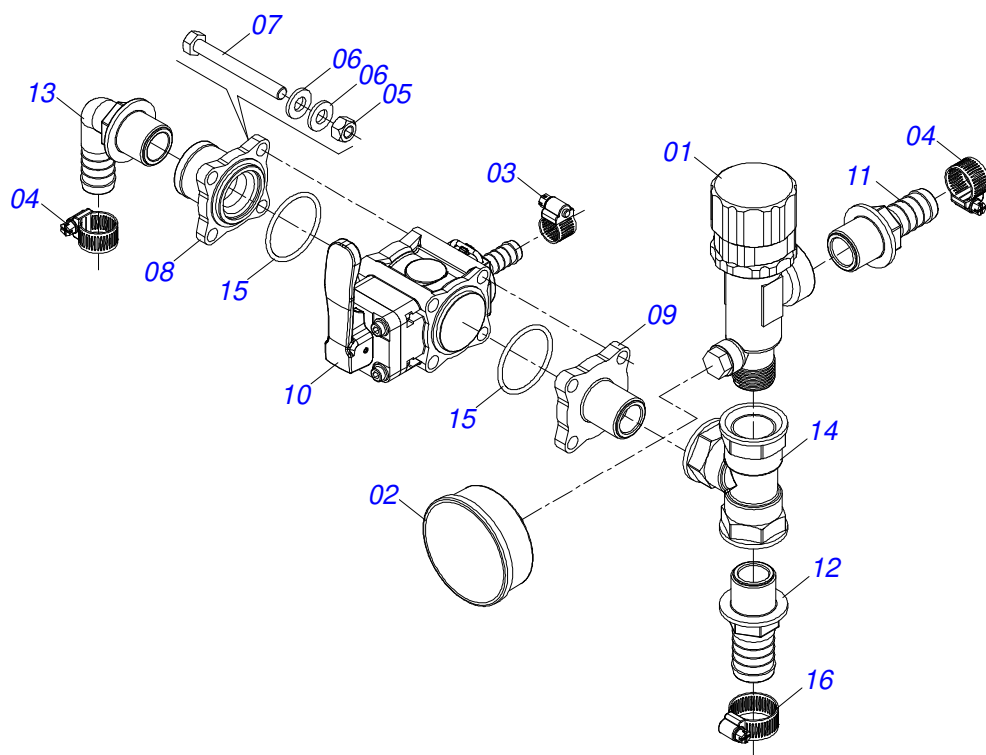
Item	Code	Description	See page	QT
01	0503015422	MOTOR		01
02	0503062758	COMMAND BLOCK		01
03	0503014371	M8 SPRING WASHER		03
04	0503015149	M8 X 1,25 X 50 BOLT		03
05	0503010019	1/2" SPRING WASHER		02
06	0503010045	O'RING		02
07	0511010111	7/8" NIPPLE		02
08	0591010750	FLANGE MOTOR		01
09	0503011082	C1/2" X 1.3/4" SCREW		02



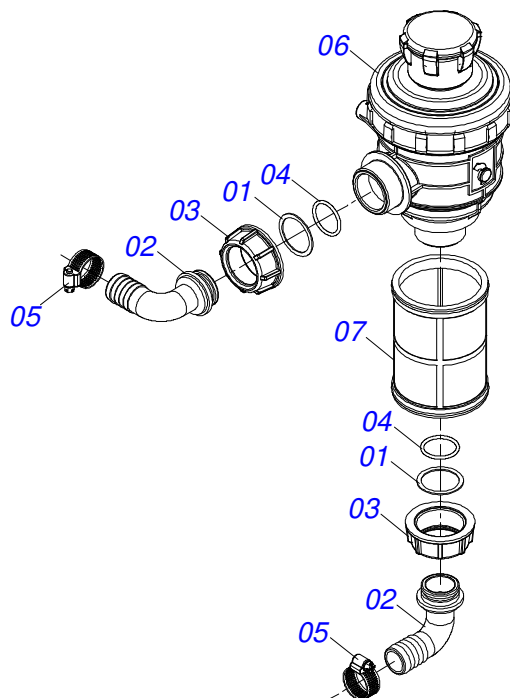
Item	Code	Description	See page	QT
01	0503011627	MALE QUICK COUPLER AGR 1/2 NPT		01
02	0503011882	MALE QUICK COUPLER CAP		01



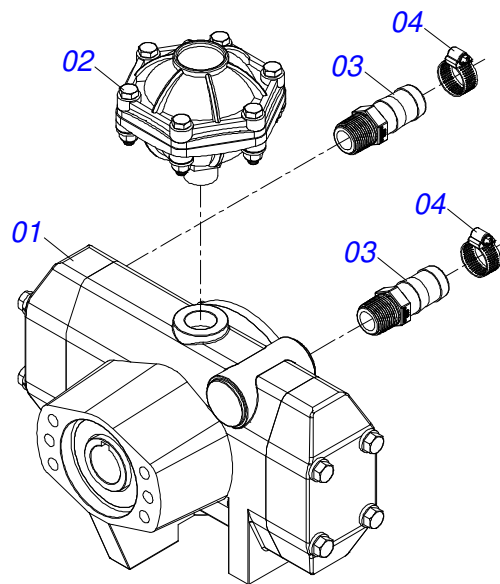
Item	Code	Description	See page	QT
01	0503063000	MANUAL COMMAND	10	01
02	0503035049	WINDFOOT 300 PSI BLACK PVC HOSE 3/4 X 1450		01
03	0503062999	FILTER SUCTION 1-1 / 4 ASSY	11	01
04	0503063001	SEMI MOUNTED PUMP	12	01
05	0503035413	SPIRAFLEX HOSE 90 PSI PVC BLUE 1 X 800		01
06	0503035414	SPIRAFLEX HOSE 90 PSI PVC BLUE 1 X 550 CCC		01
07	0503035053	1" X 33" BLACK PVC 300 PSI WINDFOOT HOSE		01
08	0503035415	WINDFOOT HOSE 300 PSI PVC BLACK 1/2 X 300		01
09	0503062998	ASSY NOZZLE SET	13	02
10	0503035043	WINDFOOT 300 PSI BLACK PVC HOSE 1/2 X 1500		01
11	0503035043	WINDFOOT 300 PSI BLACK PVC HOSE 1/2 X 1500		01
12	0503063004	AGITATOR KIT	14	01
13	0503063003	RESERVOIR OUTPUT ASSY	15	01
14	0503063005	RETURN CONNECTION	16	01
15	0503034991	MANGUERA WINDFOOT 300 PSI PVC NEGRO 3/4X750		01
16	0503063002	1/2 ASSY HOSE T CONNECTION	17	01



Item	Code	Description	See page	QT
01	0503019499	PRESSURE REGULATING VALVE 3/4		01
02	0503019498	MANOMETER		01
03	0503019473	1/2 HOSE CLAMP		01
04	0503019497	3/4 HOSE CLAMP		02
05	0503019496	HEX NUT		04
06	0503019495	FLAT WASHER M8		08
07	0503019494	HEX SCREW		04
08	0503019493	FLANGE CONNECTION		01
09	0503019492	FLANGE CONNECTION		01
10	0503019491	SECTION VALVE MANUAL DRIVE CONTROL		01
11	0503019490	STRAIGHT CONNECTION G3 / 4		01
12	0503019489	STRAIGHT CONNECTION G3 / 4		01
13	0503019488	G3 / 4 CURVE CONNECTION		01
14	0503019487	G3/4 CONNECTION T		01
15	0503019486	ORING RING 2,62X39,34X44,58		02
16	0503019481	HOSE CLAMP		01

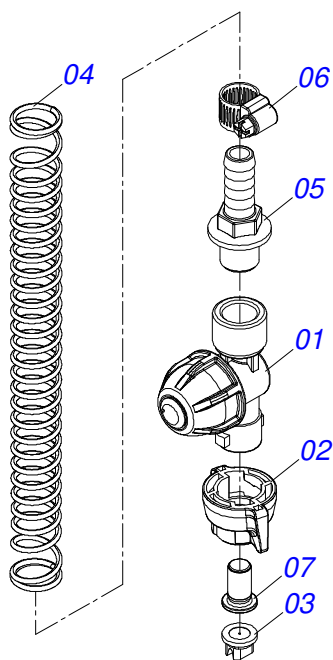


Item	Code	Description	See page	QT
01	0503019485	FLAT JOINT		02
02	0503019484	CURVE CONNECTION D25-SP3-116525		02
03	0503019483	CONNECTION NUT 1-1 / 4 SP3-2002050		02
04	0503019482	RING ORING 2.62 X 26.65X31.89 SP3-G10051		02
05	0503019481	HOSE CLAMP		02
06	0503019480	FILTER 1-1/4		01
07	0503019479	FILTER ELEMENT		01

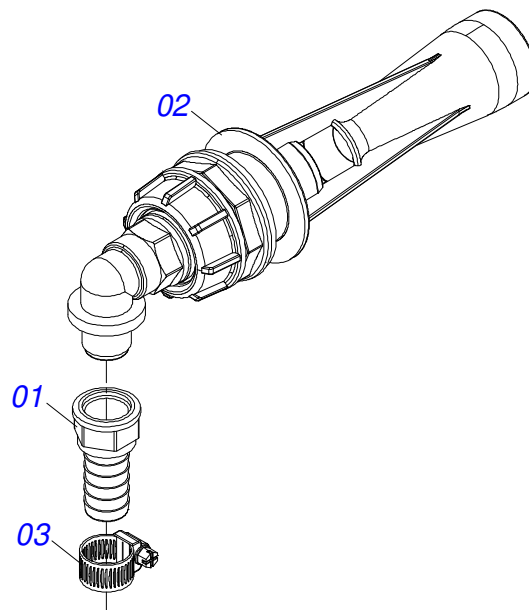


Item	Code	Description	See page	QT
01	0503063053	DOUBLE PISTON PUMP		01
02	0503063052	ANTI PULSE		01
03	0503019500	CONNECTION		02
04	0503019481	HOSE CLAMP		02

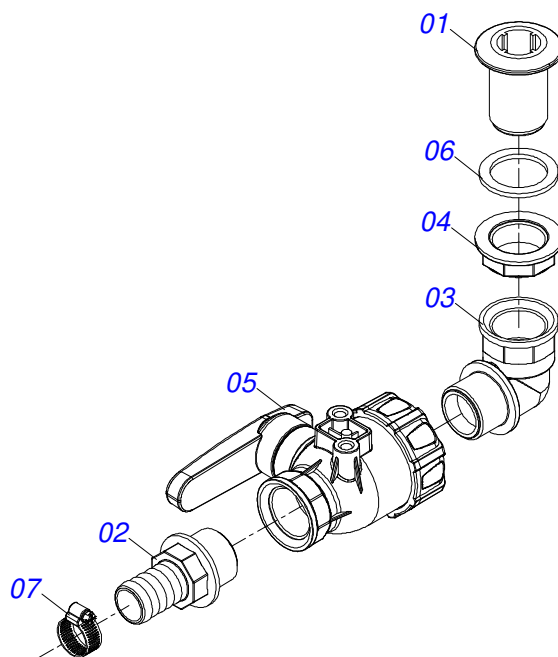




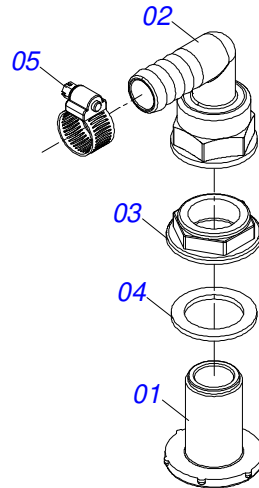
Item	Code	Description	See page	QT
01	0503019478	CONNECTION DOOR NOZZLE		01
02	0503019477	QUICK HITCH COVER		01
03	0503019476	SPRAY NOZZLE		01
04	0503019475	SPRING 21.5X27.5X305 ZN (563-SPF-021-010)		01
05	0503019474	STRAIGHT G3 / 8M D13 CONNECTION (SP3-1032113)		01
06	0503019473	1/2 HOSE CLAMP		01
07	0503019472	NOZZLE FILTER		01



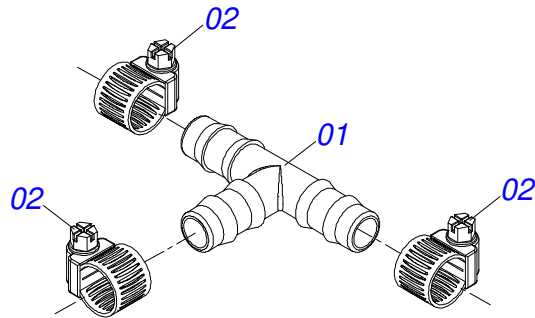
Item	Code	Description	See page	QT
01	0503019510	STRAIGHT CONNECTION		01
02	0503019509	AGITATOR		01
03	0503019497	3/4 HOSE CLAMP		01



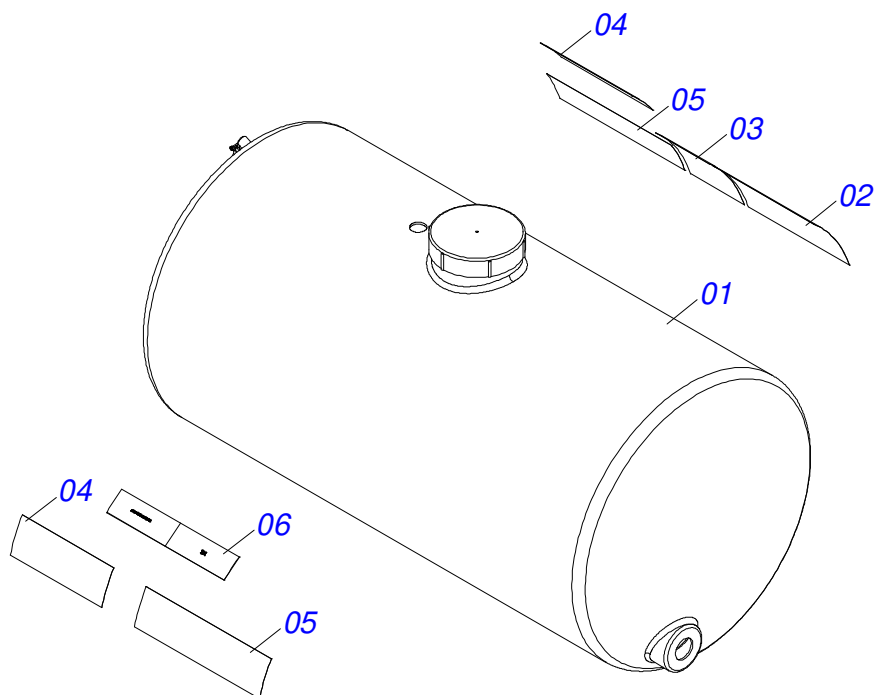
Item	Code	Description	See page	QT
01	0503019508	OUTPUT CONNECTION		01
02	0503019507	STRAIGHT G1 CONNECTION		01
03	0503019506	CURVE CONNECTION		01
04	0503019505	CONNECTION AGAINST NUT		01
05	0503019504	BALL VALVE		01
06	0503019503	FLAT JOINT		01
07	0503019481	HOSE CLAMP		01



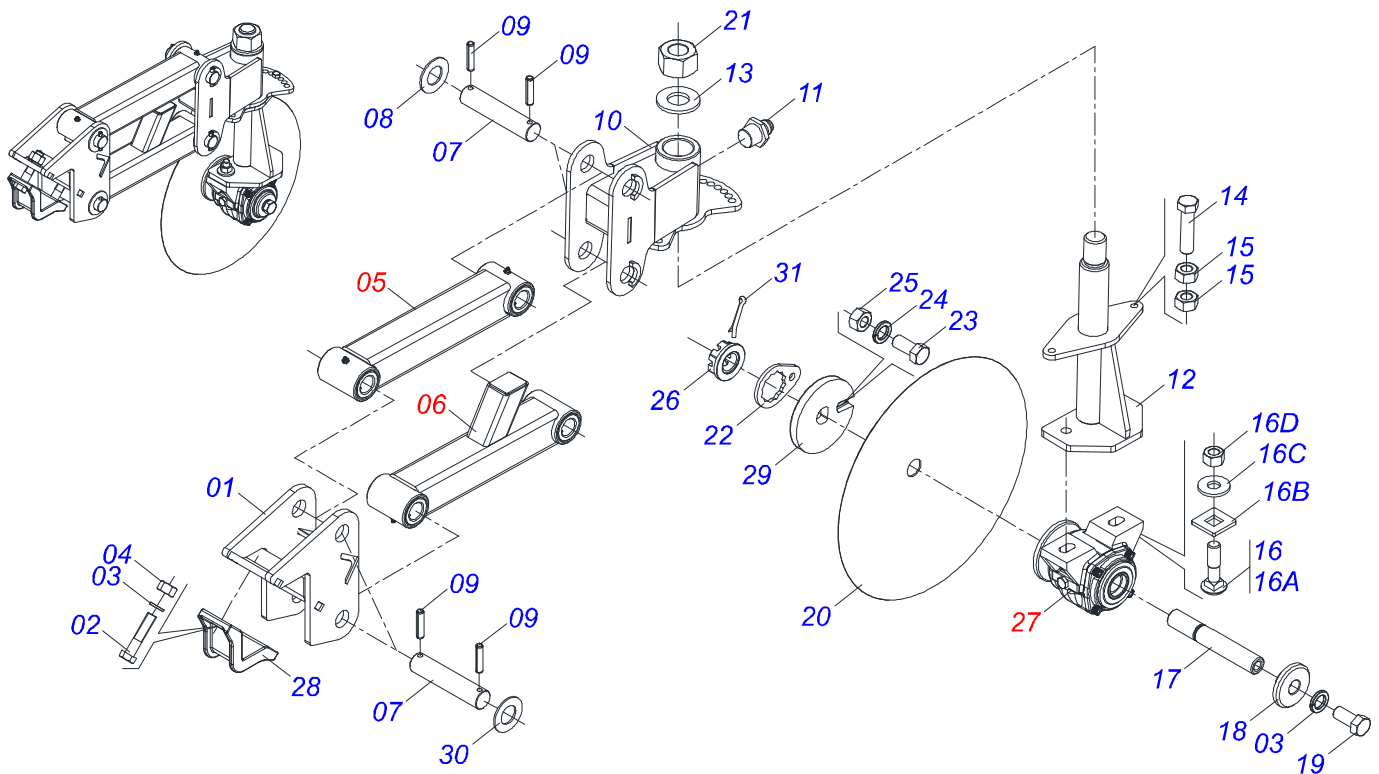
Item	Code	Description	See page	QT
01	0503019514	G3 / 4 OUTPUT CONNECTION		01
02	0503019513	G3 / 4 CURVE CONNECTION		01
03	0503019512	CONNECTION AGAINST NUT G3 / 4		01
04	0503019511	FLAT JOINT 27,5X39,5X2,5		01
05	0503019497	3/4 HOSE CLAMP		01



Item	Code	Description	See page	QT
01	0503019515	HOSE T CONNECTION 1/2		01
02	0503019473	1/2 HOSE CLAMP		03



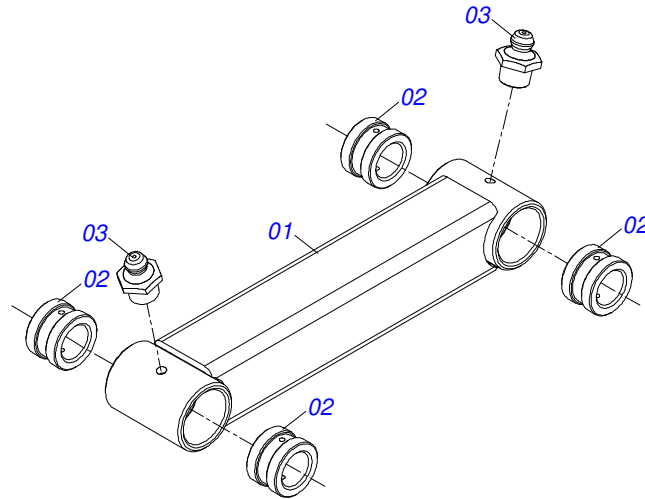
Item	Code	Description	See page	QT
01	0591010736	RESERVOIR 300 LITERS WITH HOLE		01
02	0503034555	BUMPER STICKER ATTENTION CLEANING CONSERVATION		01
03	0503034556	STICKER DANGER CHEMICAL PRODUCTS		01
04	0503033494	LABEL		02
05	0503033245	EMBLEM		02
06	0503013229	REFLECTIVE SIDE BAND		01



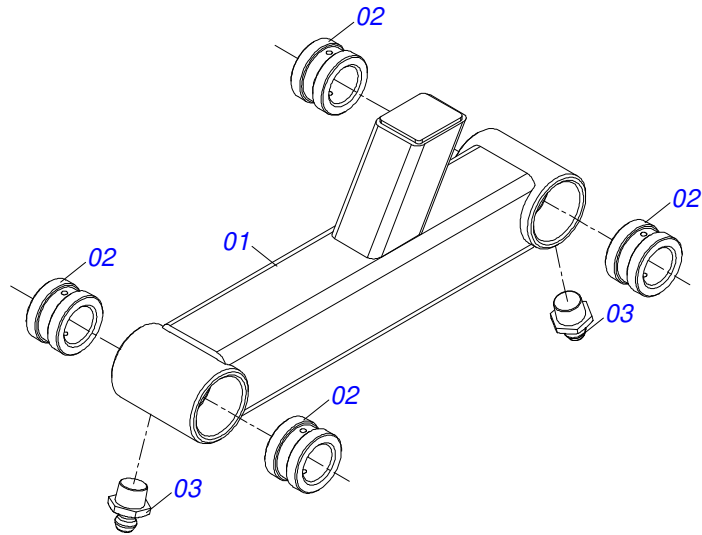
Item	Code	Description	See page	QT
01	0511067891	PARALELOGRAMA FIXER SUPPORT		01
02	0503010901	3/4UNC 3.1/2 BOLT		02
03	0503010023	3/4" SPRING WASHER		03
04	0503010014	3/4" ZN G.5 (HEAVY) UNC HEX NUT		02
05	0501052393	ARM OSCILLATING	20	01
06	0501057760	ARM OSCILLATING LOWER ASSY	21	01
07	0551012149	31,75 X 130 AXLE		04
08	0521011132	FLAT WASHER		02
09	0503010839	03"X 0.6" SPRING PIN		08
10	0511067959	SUPPORT ADJUSTING DISC COVER		01
11	0503010002	1800 GREASE FITTING		01
12	0511063098	DISC SUPPORT UPPER		01
13	0521012120	WASHER		01
14	0503011195	7/16" X 1.3/4" BOLT		01
15	0503010244	7/16" NUT		02
16	0501048963	5/8" X 2-1/2" BOLT ASSY		02
16A	0501014177	5/8" X 2-1/2" BOLT		01
16B	0501010947	5/8 NUT LOCK		01
16C	0501012140	FLAT WASHER 16,50 X 40 X 4,00 ZN		01
16D	0503010013	5/8 UNC G.5 ZN HEX NUT		02
17	0521015310	1.1/4 UNC X 206 AXLE		01
18	0521015311	WASHER		01
19	0501010098	BOLT 3/4" UNC X 2 C S G.5 ZN		01
20	0601025002	18" X 0.1" PLAIN DISC BLADE		01
21	0501010087	1.1/4" NUT		01
22	0501010455	1.1/4" NUT LOCK		01
23	0501010161	BOLT 1/2" UNC X 1.1/4" C S G.2 ZN		01
24	0503010019	1/2" SPRING WASHER		01
25	0503010060	1/2 UNC G.5 ZN HEX NUT		01
26	0501011301	1.1/2" UNC 6FPP 2.5/16" NUT		01
27	0501049010	BEARING	22	01
28	0502010819	TRACTOR HITCH FIXER		01

<b>Item</b>	<b>Code</b>	<b>Description</b>	<b>See page</b>	<b>QT</b>
29	0502010835	1-1/4" EXTERNAL AXLE WASHER		01
30	0521013076	FLAT WASHER		02
31	0503010010	SPLIT PIN 1/4" X 2.1/2"		01

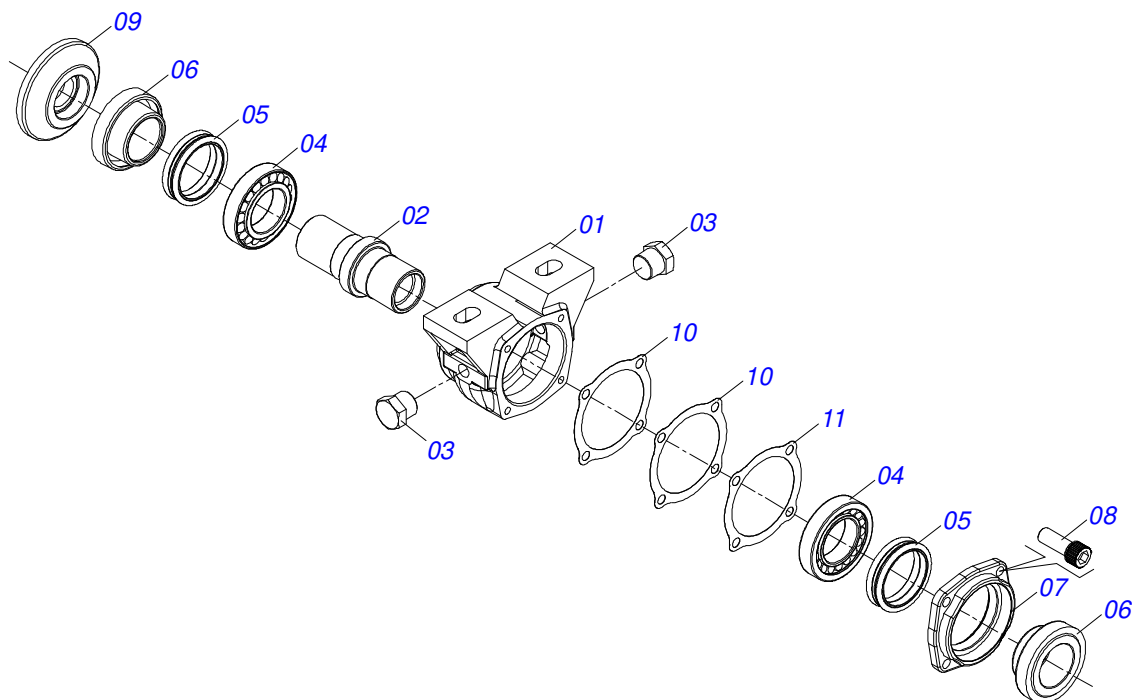




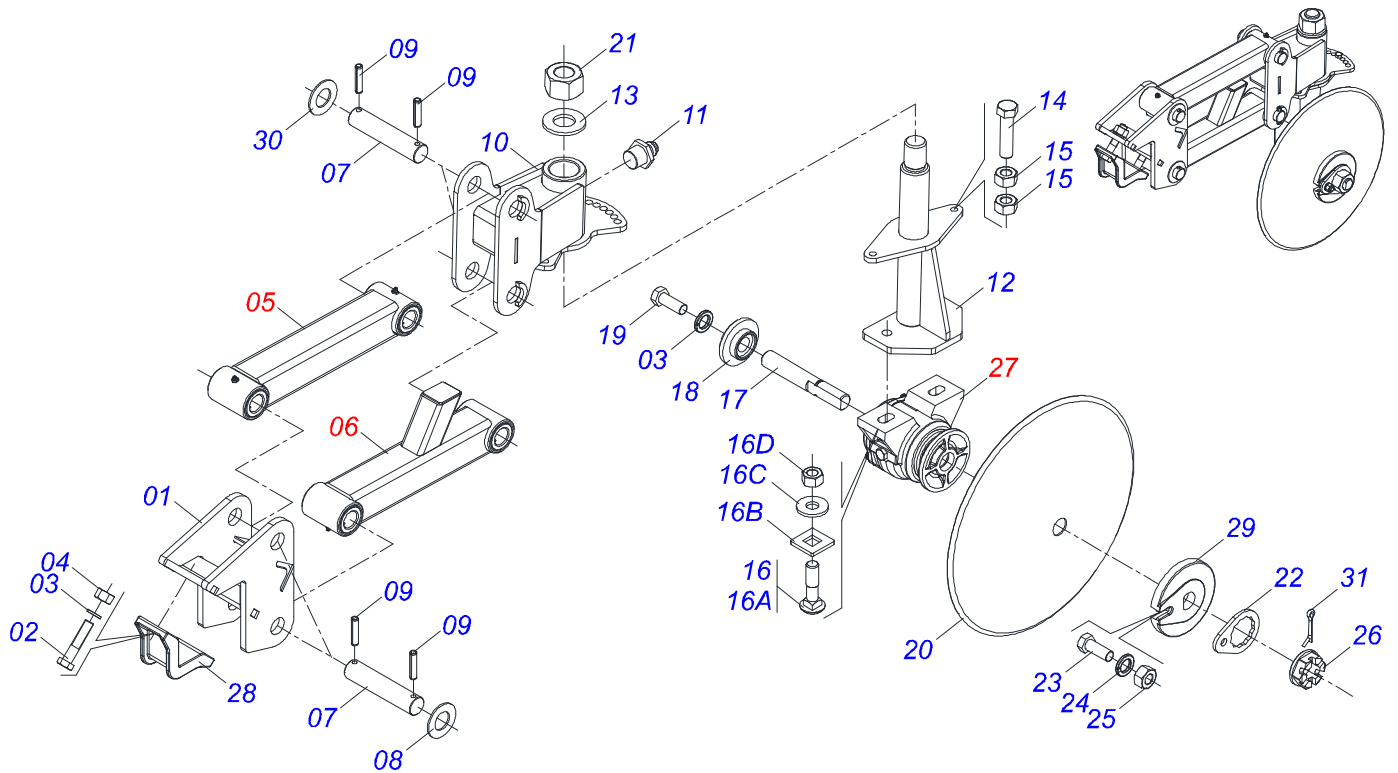
Item	Code	Description	See page	QT
01	0511060990	ROCKING DRIVER		01
02	0521012122	DRIVER ROCKING SLEEVE SUPPORT		04
03	0503010002	1800 GREASE FITTING		02



Item	Code	Description	See page	QT
01	0511068854	LOWER ROCKING DRIVER		01
02	0521012122	DRIVER ROCKING SLEEVE SUPPORT		04
03	0503010002	1800 GREASE FITTING		02

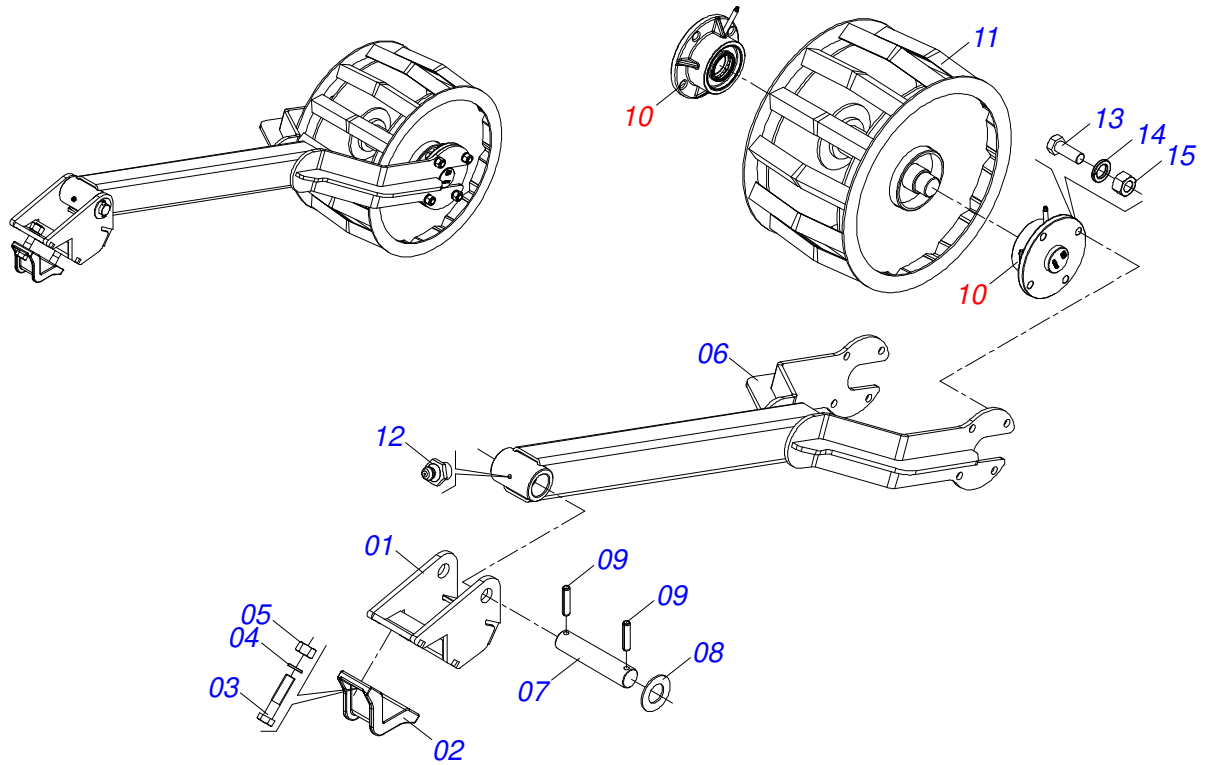


Item	Code	Description	See page	QT
01	0502011765	BEARING BOX		01
02	0502040484	BEARING AXLE		01
03	0503010856	OIL PLUG R 3/8 BSPT		02
04	0503010111	30210 ROLLER BEARING		02
05	0503030026	SEAL LP JB-253		02
06	0502010541	SEAL HOLDER		02
07	0502020424	HOUSING CAP 182/192,225		01
08	0503010134	3/8" X 1" BOLT		04
09	0502010074	INNER FLANGE		01
10	0503030013	4.4" X 3.5" X 0.004" JOINT		02
11	0503030684	4.4" X 3.5" X 0.004" JOINT		01
12	3402301275	TATU OIL		0,11 Lts

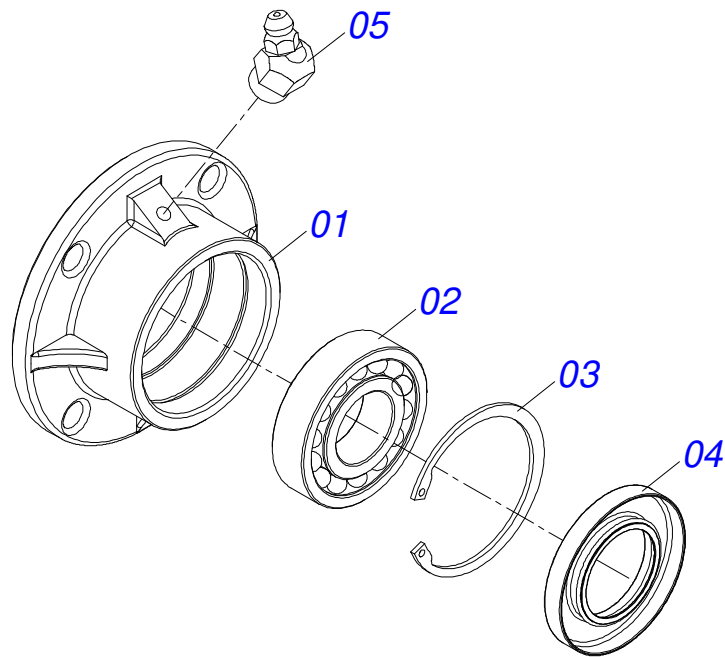


Item	Code	Description	See page	QT
01	0511067891	PARALELOGRAMA FIXER SUPPORT		01
02	0503010901	3/4UNC 3.1/2 BOLT		02
03	0503010023	3/4" SPRING WASHER		03
04	0503010014	3/4" ZN G.5 (HEAVY) UNC HEX NUT		02
05	0501052393	ARM OSCILLATING	20	01
06	0501057760	ARM OSCILLATING LOWER ASSY	21	01
07	0551012149	31,75 X 130 AXLE		04
08	0521011132	FLAT WASHER		02
09	0503010839	03"X 0.6" SPRING PIN		08
10	0511067959	SUPPORT ADJUSTING DISK COVER		01
11	0503010002	1800 GREASE FITTING		01
12	0511063098	DISC SUPPORT UPPER		01
13	0521012120	WASHER		01
14	0503011195	7/16" X 1.3/4" BOLT		01
15	0503010244	7/16" NUT		02
16	0501048963	5/8" X 2-1/2" BOLT ASSY		02
16A	0501014177	5/8" X 2-1/2" BOLT		01
16B	0501010947	5/8 NUT LOCK		01
16C	0501012140	FLAT WASHER 16,50 X 40 X 4,00 ZN		01
16D	0503010013	5/8 UNC G.5 ZN HEX NUT		02
17	0521015310	1.1/4 UNC X 206 AXLE		01
18	0521015311	WASHER		01
19	0501010098	BOLT 3/4" UNC X 2 C S G.5 ZN		01
20	0601025002	18" X 0.1" PLAIN DISC BLADE		01
21	0501010087	1.1/4" NUT		01
22	0501010455	1.1/4" NUT LOCK		01
23	0501010161	BOLT 1/2" UNC X 1.1/4" C S G.2 ZN		01
24	0503010019	1/2" SPRING WASHER		01
25	0503010060	1/2 UNC G.5 ZN HEX NUT		01
26	0501011301	1.1/2" UNC 6FPP 2.5/16" NUT		01
27	0501049010	BEARING	22	01
28	0502010819	TRACTOR HITCH FIXER		01

<b>Item</b>	<b>Code</b>	<b>Description</b>	<b>See page</b>	<b>QT</b>
29	0502010835	1-1/4" EXTERNAL AXLE WASHER		01
30	0521013076	FLAT WASHER		02
31	0503010010	SPLIT PIN 1/4" X 2.1/2"		01



Item	Code	Description	See page	QT
01	0511067892	PRESS ROLLER FIXER		01
02	1902010819	FASTENER TRACTOR		01
03	0503010901	3/4UNC 3.1/2 BOLT		02
04	0503010023	3/4" SPRING WASHER		02
05	0503010014	3/4" ZN G.5 (HEAVY) UNC HEX NUT		02
06	0531061127	FORK ROLLER COMPACTOR		01
07	0551012148	31,75 X 148 AXLE		01
08	0521011132	FLAT WASHER		01
09	0503010839	03"X 0.6" SPRING PIN		02
10	0501052042	BOX BREAK ROLLER	25	02
11	0511067478	ROLLER ASSY		01
12	0503010002	1800 GREASE FITTING		01
13	0503010232	5/8" X 1.3/4" BOLT		08
14	0503010027	5/8 SPRING WASHER		08
15	0503010013	5/8 UNC G.5 ZN HEX NUT		08



Item	Code	Description	See page	QT
01	0502011479	BOX BREAK ROLLER		01
02	0503012107	BALL BEARING		01
03	0503011420	502100 CLAMPING RING (FOR AXLE)		01
04	0503011418	01669-BR SEAL		01
05	0503010003	1845 GREASE FITTING		01







***civemasa***

**Technical Publications | Elaboration and Revision**  
ALESSANDRA PATRICIA KAWAHARA CARRILI

[www.civemasa.com.br](http://www.civemasa.com.br)

