

TINE CULTIVATORS

CATP 1200 HD

Code: 0501093246

Series: S-0122

Revision: 00

Revision Date: ABRIL/2022

PARTS CATALOGUE

CIVEMASA




PRODUCTS

Code	Description
0120840165	CATP 1200 2L 2H DC 16D PT 1,0/1,8 S-0122
0120840164	CATP 1200 2L 2H DC 16D PT KRSF SAR 1,0/1,8 S-0122
0120840166	CATP 1200 2L 2H DC RD 1,0/1,8 S-0122
0120840167	CATP 1200 2L 2H DC RD KRSF SAR 1,0/1,8 S-0122

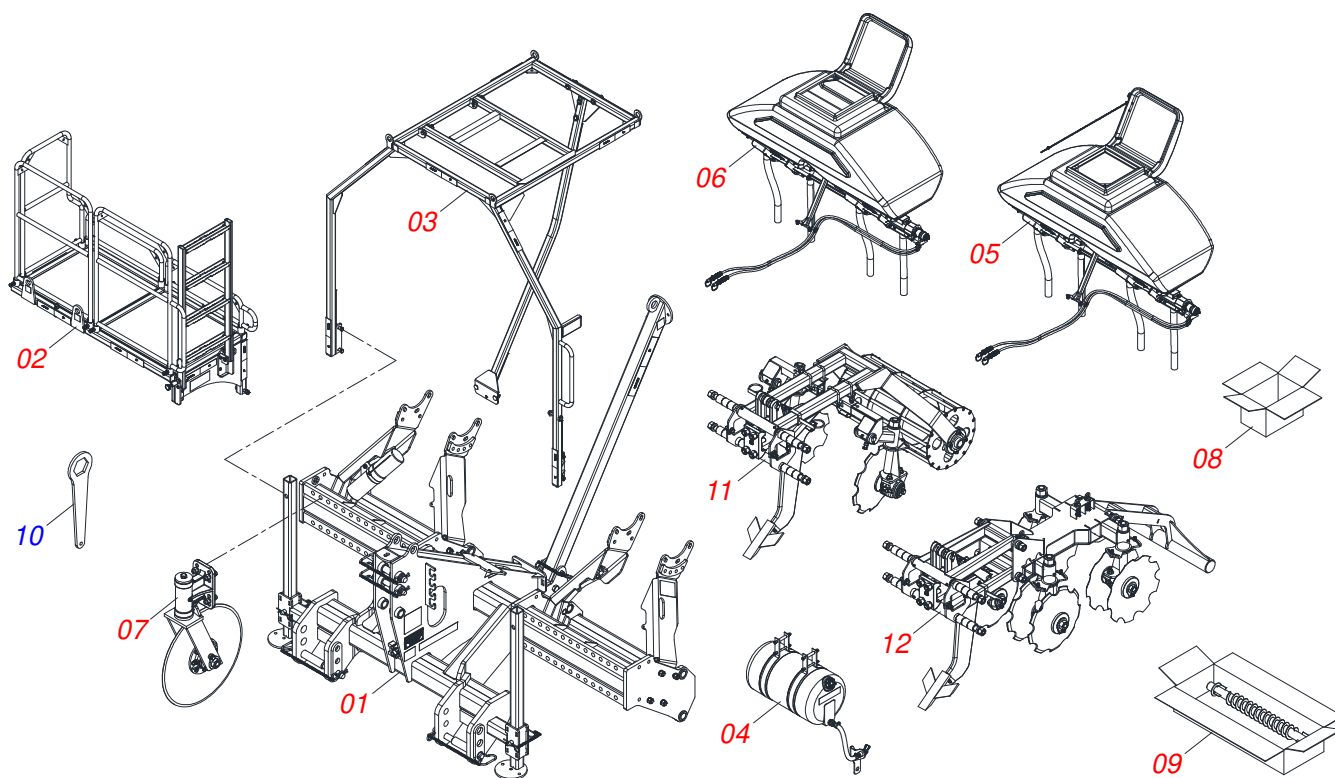
ATTENTION: IMPORTANT

CIVEMASA reserves the right to improve and/or modify the technical features of its products, without obligation to do the same with those products already sold and without prior knowledge of the dealer or the consumer. The photos are only illustrative.

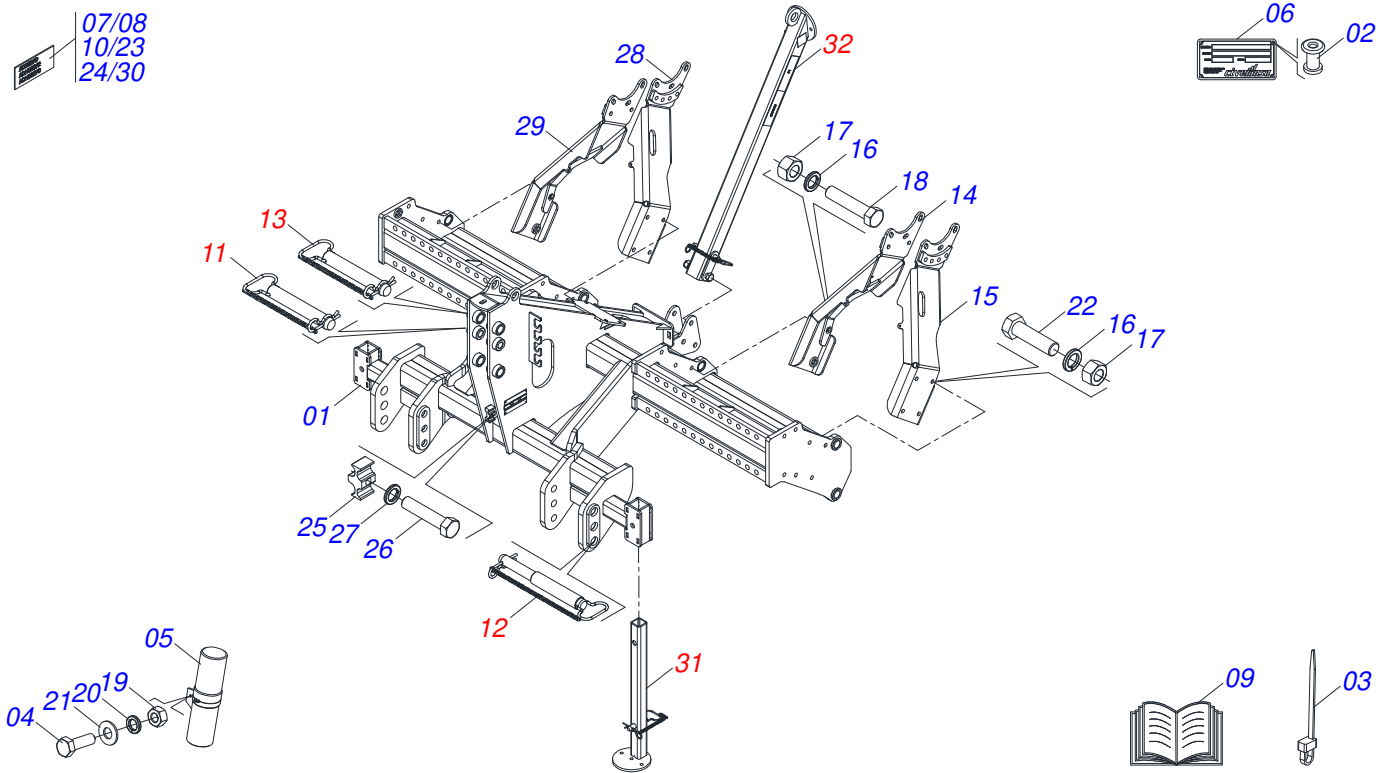


INDEX

0909096192	ASSY FRAME	1
0531054120	SEMI ASSEMBLED FRAME	2
0521056607	AXLE	3
0521056608	LOWER AXLE COMPLETE COUPLING	4
0521056606	AXLE 31,75 X EC 180	5
0521056605	COMPLETE OFFSET REST	6
0521054631	AXIS 27,80 X EC 98 ASSY	7
0521056609	FULL REAR REST	8
0521056610	AXLE	9
0521056602	ASSY PLATFORM	10
0521056603	COMPLETE MOBILE LADDER	11
0521056595	COMPLETE SUPPLY SUPPORT	12
0521056594	WATER RESERVOIR ASSY	13
0531054113	FERTILIZER BOX WITH HANDLE	14
0531054123	FERTILIZER BOX WITHOUT HANDLE	15
0531054116	SEMI-ASSEMBLED FERTILIZER BOX WITH HANDLE	16
0531054125	SEMI-ASSEMBLED FERTILIZER BOX WITHOUT HANDLE	17
0521054622	BEAN ASSY SUPPORT	18
0501053834	MALE QUICK COUPLER	19
0521056598	SUPPORT BEAN ASSY	20
0521056597	LEFT/RIGHT SILO THREAD DISTRIBUTOR ASSEMBLY	21
0521056615	HOSE KIT	22
0521049591	26" CUTTING DISC ASSY	23
0521056601	26" CUTTING DISC SEMI-ASSEMBLED	24
0501052395	26" CUTTING DISK WITH BOX	25
0501057526	DISC HUB	26
0511022307	BOX WITH 2 POINTS	27
0521025843	BOX WITH LEFT/RIGHT CONDUCTOR KIT	28
0531054124	RAW CANE CULTIVATOR ROW	29
0531054128	CRUMBING ROLLER ASSEMBLY	30
0501054884	SHANKS SYSTEM ASSY	31
0501057551	SET RIGHT DISC DEVELOPER	32
0501057552	SET LEFT DISC DEVELOPER	33
0511045846	OIL BATH BEARING	34
0531054121	BURNT CANE CULTIVATOR ROW	35
0501054945	REAR LEVELING	36
0531054122	FRAME ASSEMBLY WITH 8 CUT OUT DISCS	37
0501055628	FRAME HORROW TANDEM	38
0501049008	7.2" X 1-1/4" OIL BATH BEARING	39

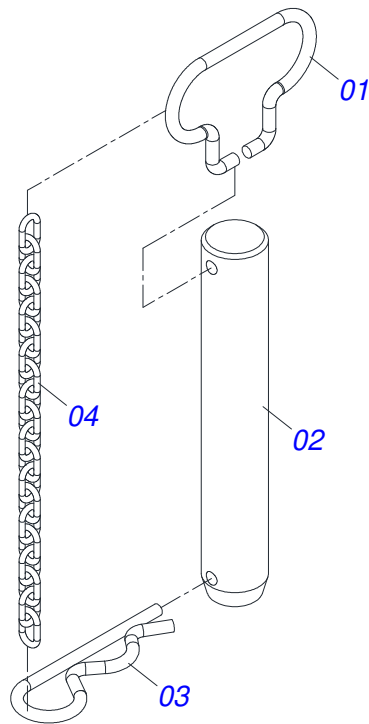


Item	Code	Description	See page	QT
00	0531042155	ASSY FRAME - CATP 1200 2L 2H DC 16D PT 1,0/1,8		01
00.	0531042156	ASSY FRAME - CATP 1200 2L 2H DC 16D PT 1,0/1,8		01
00..	0531042157	ASSY FRAME - CATP 1200 2L 2H DC RD 1,0/1,8		01
00...	0531042158	ASSY FRAME - CATP 1200 2L 2H DC RD 1,0/1,8		01
01	0531054120	SEMI ASSEMBLED FRAME	2	01
02	0521056602	ASSY PLATFORM	10	01
03	0521056595	COMPLETE SUPPLY SUPPORT	12	01
04	0521056594	WATER RESERVOIR ASSY	13	01
05	0531054113	FERTILIZER BOX WITH HANDLE	14	01
06	0531054123	FERTILIZER BOX WITHOUT HANDLE	15	01
07	0521049591	26" CUTTING DISC ASSY	23	02
08	0511022307	BOX WITH 2 POINTS	27	01
09	0521025843	BOX WITH LEFT/RIGHT CONDUCTOR KIT	28	01
10	0521012199	1.6" CABLE FLAT WRENCH		01
10.	0521012200	2" CABLE FLAT WRENCH		01
10..	0531014773	2.3 CABLE FLAT WRENCH		01
11	0531054124	RAW CANE CULTIVATOR ROW	29	02
12	0531054121	BURNT CANE CULTIVATOR ROW	35	02

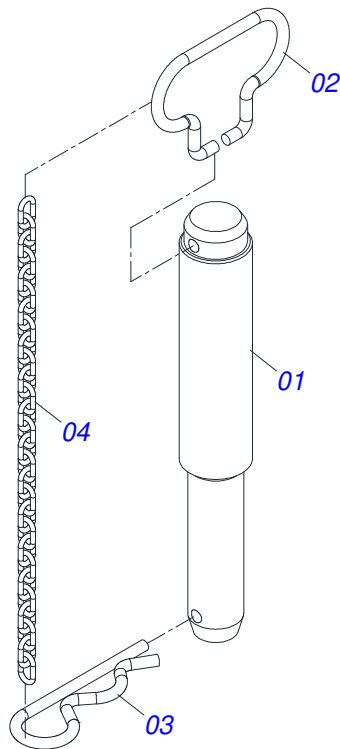


Item	Code	Description	See page	QT
01	0531060235	FRAME		01
02	0503013356	RIVET POP 3,2 X 10,0		04
03	0503010267	NYLON CLAMP		01
04	0503010371	5/16" X 1" BOLT		01
05	0503060100	OPERATOR'S MANUAL STORAGE TUBE		01
06	0503034004	ALUMINUM IDENTIFICATION LABEL		01
07	0503031827	LUBRICATE AND RETIGHTEN DAILY DECAL		04
08	0503033647	APPROVED BADGE		01
09	0501092399	INSTRUCTION MANUAL		01
10	0503034648	ADHESIVE LABEL		01
11	0521056607	AXLE	3	01
12	0521056608	LOWER AXLE COMPLETE COUPLING	4	02
13	0521056606	AXLE 31,75 X EC 180	5	01
14	0531060232	RIGHT SUPPORT FIXING FERTILIZER BOX WITH CLAMP		01
15	0531060233	LEFT SUPPORT FIXING FERTILIZER BOX WITH CLAMP		01
16	0503010027	5/8" SPRING WASHER		16
17	0503010013	5/8" NUT		16
18	0501010100	SCREW 5/8 UNC X 2 CS G.5 ZN		15
19	0503010337	5/16" NUT		01
20	0503010179	LOCK WASHER		01
21	0501010694	FLAT WASHER		01
22	0503010899	5/8" X 2-1/4" BOLT		01
23	0503031428	READ MANUAL DECAL		01
24	0503031739	ADHESIVE LABEL		01
25	0502012702	BODY SUPPORT CLAMP		03
26	0503011173	7/16" X 2" BOLT		03
27	0503010180	7/16" SPRING WASHER		03
28	0531060231	LEFT SUPPORT FIXING FERTILIZER BOX		01
29	0531060230	RIGHT SUPPORT FIXATION BOX FERTILIZER		01
30	0503031942	ADHESIVE LABEL		01

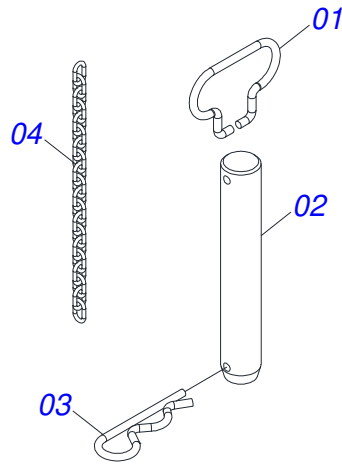
Item	Code	Description	See page	QT
31	0521056605	COMPLETE OFFSET REST	6	02
32	0521056609	FULL REAR REST	8	01



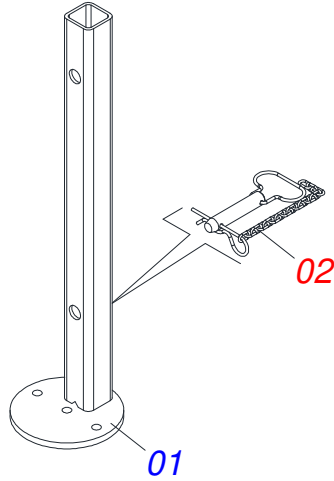
Item	Code	Description	See page	QT
01	0503034755	HANDLE PIN HITCH		01
02	0591011276	AXLE		01
03	0503031035	HAIR PIN		01
04	0503034973	CURRENT		01



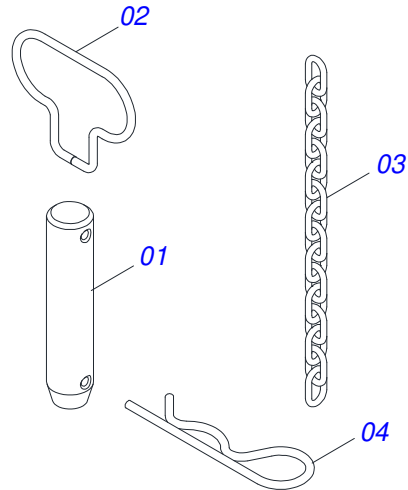
Item	Code	Description	See page	QT
01	0591011277	LOWER COUPLING AXLE		01
02	0503034755	HANDLE PIN HITCH		01
03	0503031035	HAIR PIN		01
04	0503034972	CHAIN		01



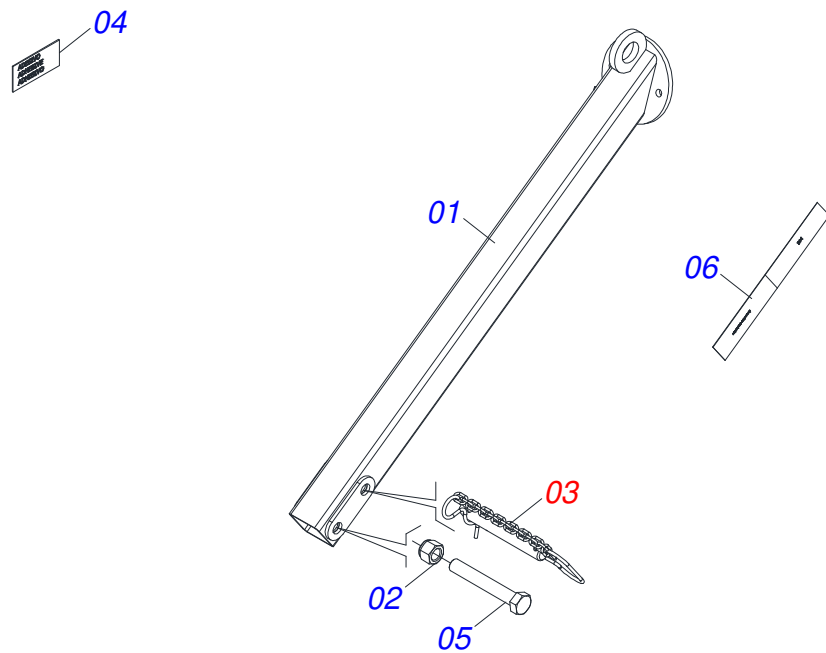
Item	Code	Description	See page	QT
01	0503034755	HANDLE PIN HITCH		01
02	0591011275	AXLE 31,75 X 205 X EC 180 FR 7,14		01
03	0503031035	HAIR PIN		01
04	0503034973	CURRENT		01



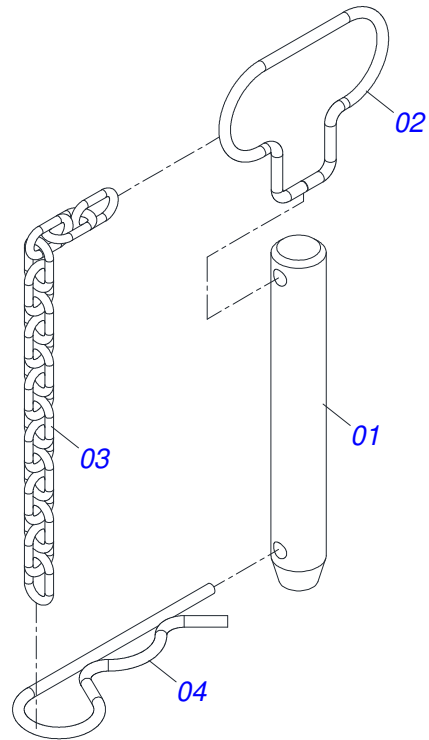
Item	Code	Description	See page	QT
01	0531060229	OFFSET REST		01
02	0521054631	AXIS 27,80 X EC 98 ASSY	7	01



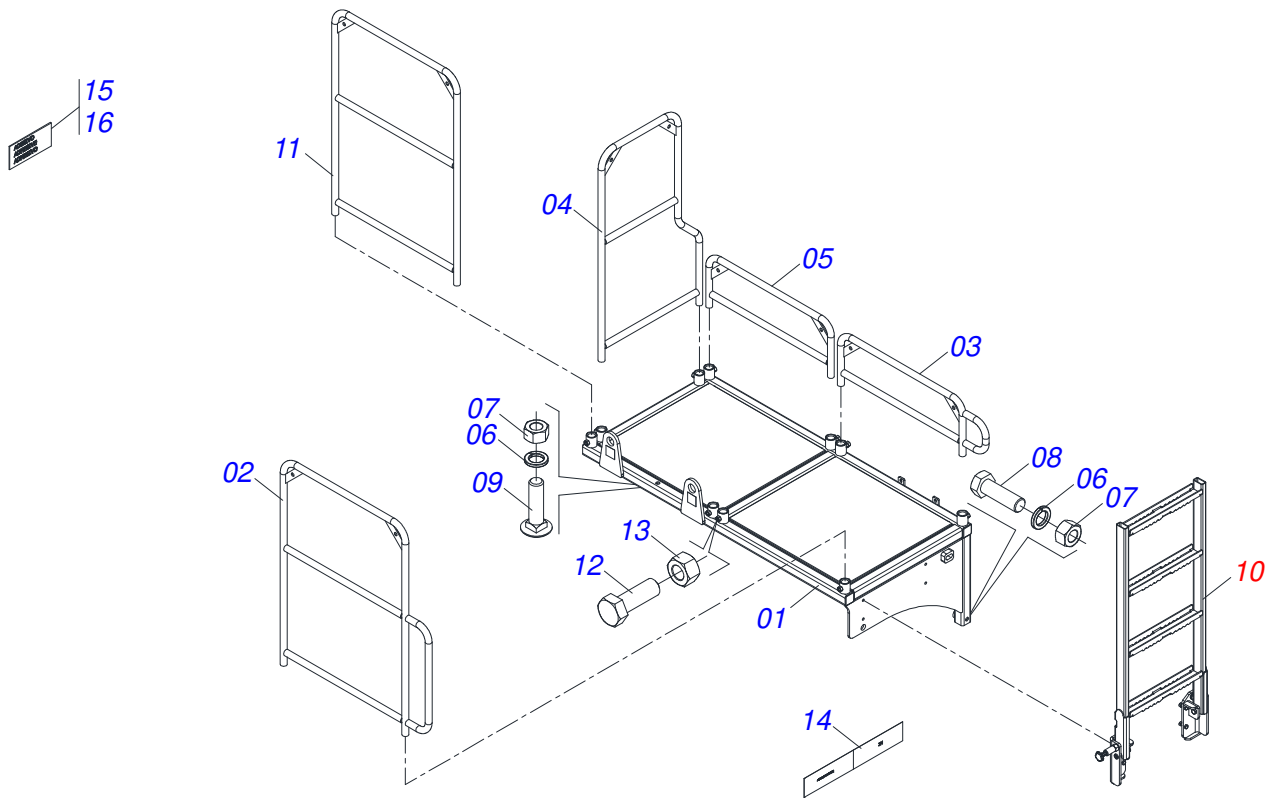
Item	Code	Description	See page	QT
01	0581019024	AXIS 19,05 X 98 X EC 75 FR 6,35		01
02	0503034794	HANDLE PIN HITCH 4MM		01
03	0503034756	CHAIN 3,00 X 16		01
04	0503030012	HAIR PIN		01



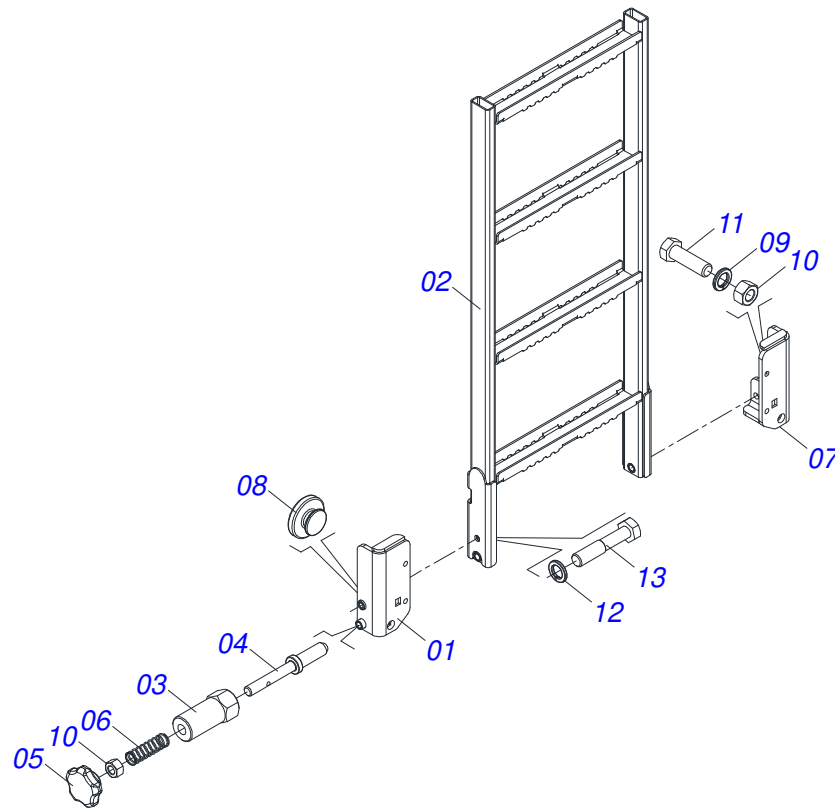
Item	Code	Description	See page	QT
01	0531060234	BACK REST		01
02	0503010152	3/4" SELF LOCKING NUT		01
03	0521056610	AXLE	9	01
04	0503034078	LIFTING POINTS DECAL		02
05	0503011084	3/4" X 5" BOLT		01
06	0503013229	REFLECTIVE SIDE BAND		03



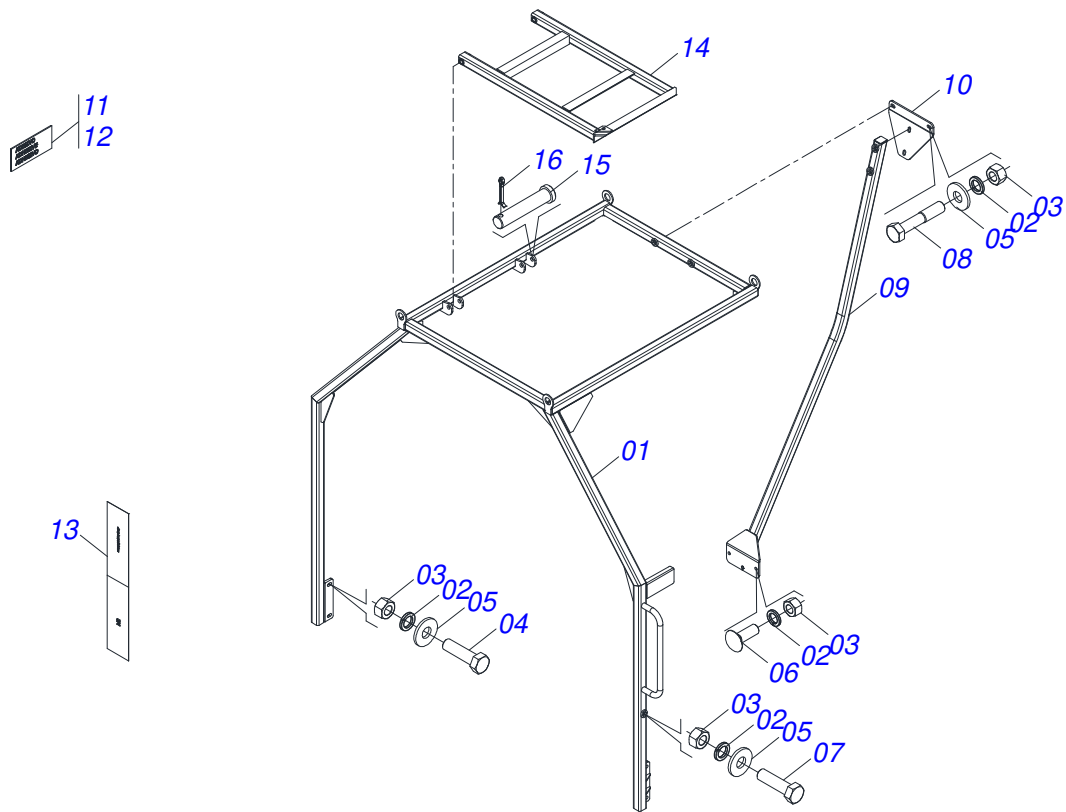
Item	Code	Description	See page	QT
01	0591011279	AXLE		01
02	0503034794	HANDLE PIN HITCH 4MM		01
03	0503034756	CHAIN 3,00 X 16		01
04	0503030012	HAIR PIN		01



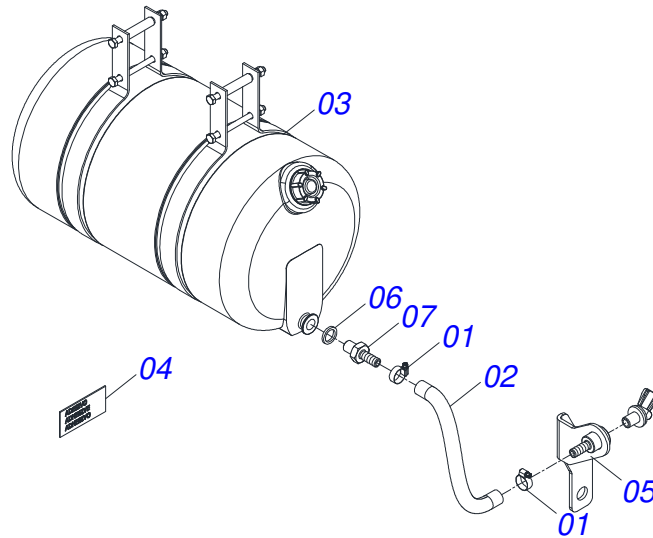
Item	Code	Description	See page	QT
01	0531060225	PLATFORM		01
02	0531060221	FRONT HANDRAIL WITH HANDLE		01
03	0531060224	REAR HANDRAIL WITH HANDRAIL		01
04	0531060220	SIDE HANDRAIL		01
05	0531060223	HANDRAIL REAR		01
06	0503010027	5/8" SPRING WASHER		03
07	0503010013	5/8" NUT		03
08	0501011027	5/8" X 3-3/4" BOLT		02
09	0503015017	5/8" X BOLT		01
10	0521056603	COMPLETE MOBILE LADDER	11	01
11	0531060222	FRONT HANDRAIL		01
12	0503030678	BOLT 1/2 UNC X 1.1/2 CSPC G.5 ZN		10
13	0503010060	1/2" NUT		10
14	0503013229	REFLECTIVE SIDE BAND		06
15	0503031565	ADHESIVE LABEL CARE		01
16	0503034078	LIFTING POINTS DECAL		02



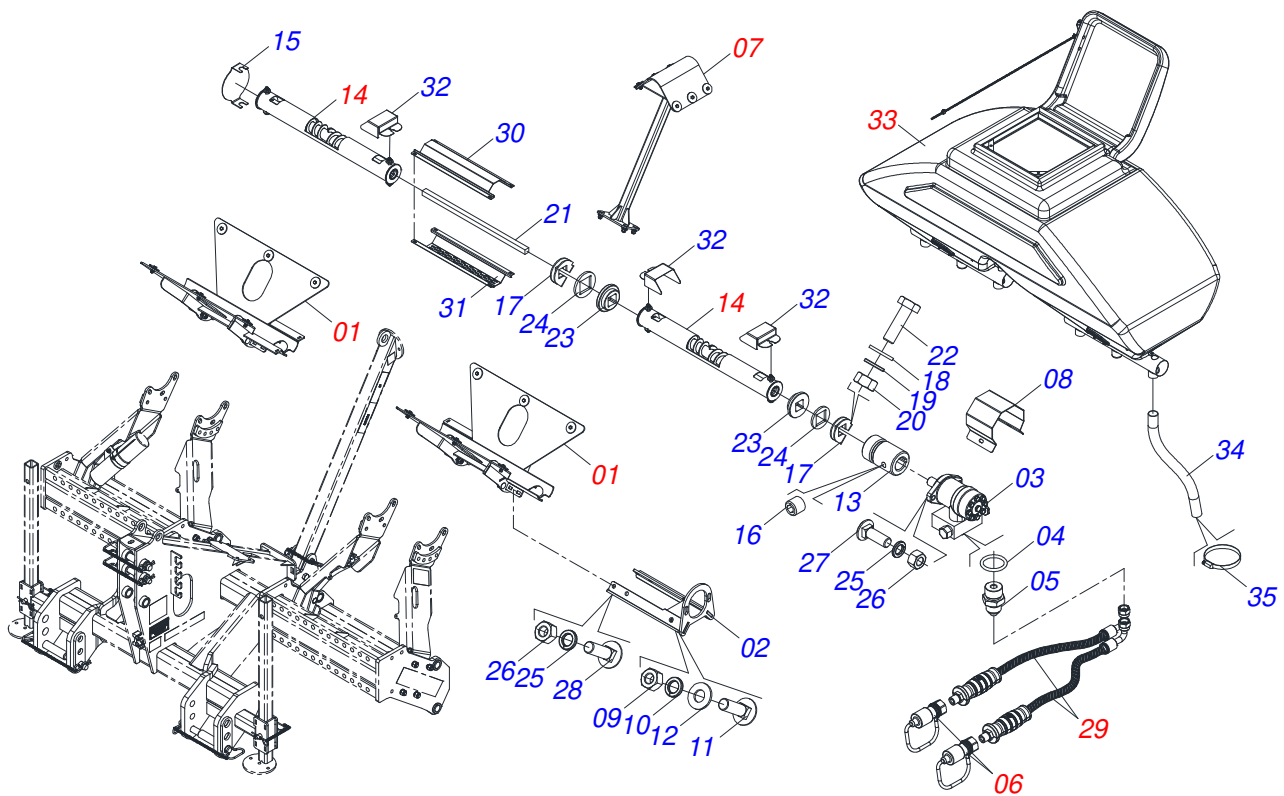
Item	Code	Description	See page	QT
01	0531060226	LEFT STAIR FIXATION SUPPORT		01
02	0531060228	MOBILE LADDER		01
03	0581016319	TRIGGER CARTRIDGE		01
04	0591011307	LADDER LOCK PIN		01
05	0503010293	BAQUELITE MANIPULACION		01
06	0503034639	SPRING		01
07	0531060227	RIGHT STAIR FIXATION SUPPORT		01
08	0503032594	30 X 13 X 19 PLUG		02
09	0503010025	3/8" SPRING WASHER		04
10	0503010026	3/8" NUT		05
11	0503010751	C3/8" X 1.1/4" HEX BOLT G.5		04
12	0503010019	1/2" SPRING WASHER		02
13	0503011172	BOLT 1/2 UNC X 2.1/2 C S G.5 ZN		02



Item	Code	Description	See page	QT
01	0531060215	SUPPORT BAG		01
02	0503010027	5/8" SPRING WASHER	11	
03	0503010013	5/8" NUT	11	
04	0503010899	5/8" X 2-1/4" BOLT	04	
05	0501012140	FLAT WASHER	09	
06	0503013842	5/8" UNC X 1-3/4" BOLT	02	
07	0501011543	5/8" X 4" BOLT	01	
08	0503013019	BOLT 5/8 UNC X 3.1/4 C S G.5 ZN	04	
09	0531060216	REAR FRENCH HAND	01	
10	0591011221	REAR FRENCH UNION PLATE	01	
11	0503032536	ADHESIVE LABEL	01	
12	0503034078	LIFTING POINTS DECAL	04	
13	0503013229	REFLECTIVE SIDE BAND	13	
14	0531060217	BIG BAG MOBILE SUPPORT	01	
15	0571015212	COUPLING SHAFT	02	
16	0503010577	3/16" X 1-1/4" COTTERPIN	02	

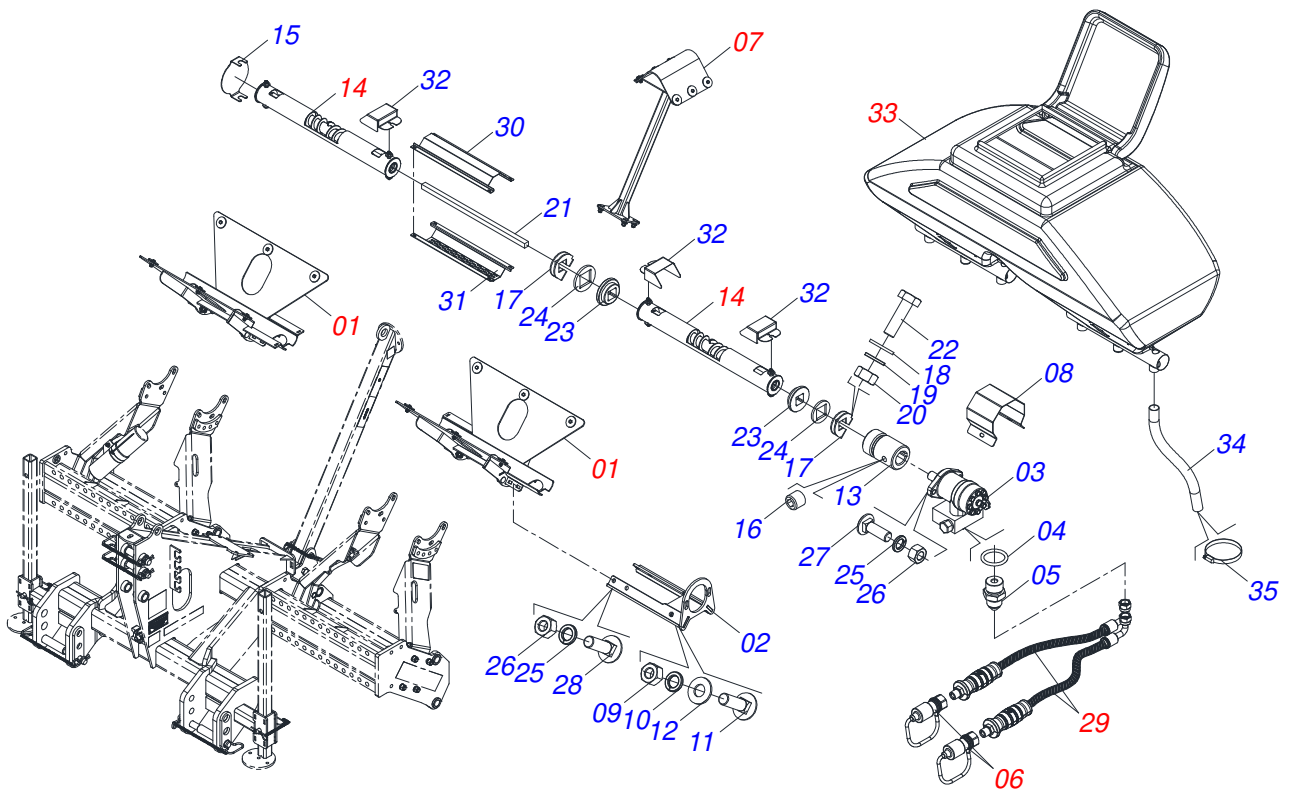


Item	Code	Description	See page	QT
01	0503010296	CLAMP		02
02	0561019867	HOSE 1/2 X 300 AB-AB		01
03	0503014820	COROTE BLACK WATER		01
04	0503032532	EMBLEM WATER NOT POTAVEL		01
05	0531060214	COMPLETE SUPPORT FOR TAPS		01
06	0503013976	GASKET		01
07	0591011218	NIPLE		01



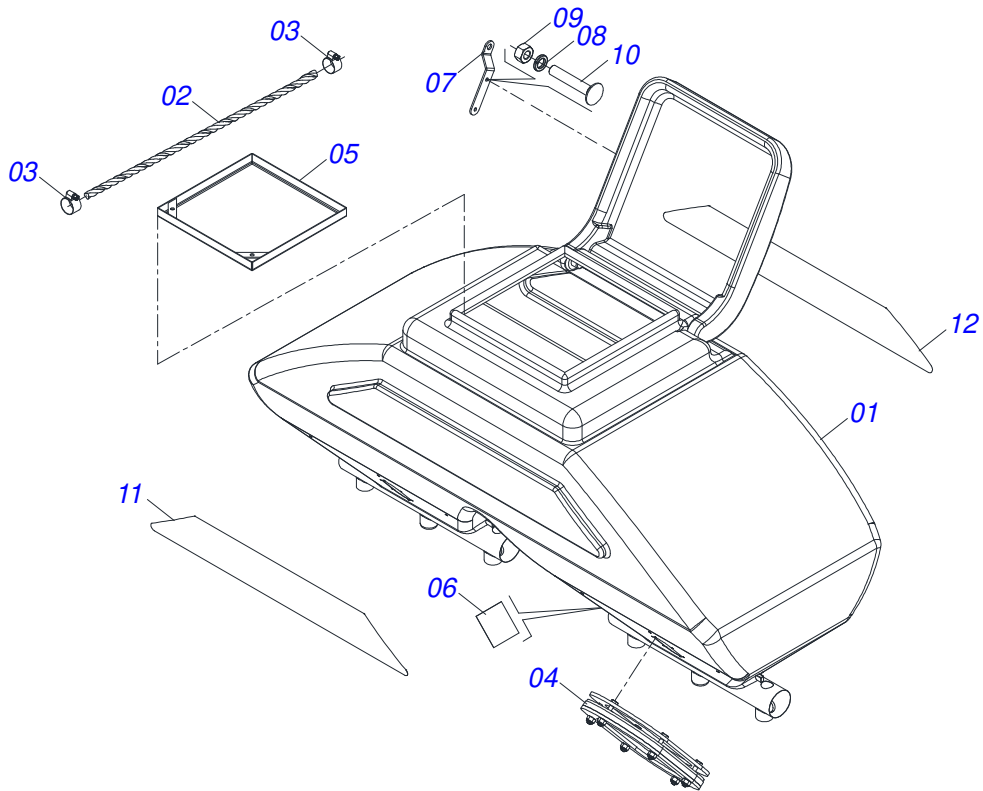
Item	Code	Description	See page	QT
01	0521054622	BEAN ASSY SUPPORT	18	02
02	0521069449	MOTOR FIXING SUPPORT		01
03	0503012829	VALVE HYDRAULIC MOTOR ASSY		01
04	0503010045	O'RING		02
05	0511010111	7/8" NIPPLE		02
06	0501053834	MALE QUICK COUPLER	19	02
07	0521056598	SUPPORT BEAN ASSY	20	01
08	0581019046	ENGINE AXLE PROTECTION		01
09	0503010337	5/16" NUT		06
10	0503010179	LOCK WASHER		06
11	0503011953	5/16" X 1" BOLT		06
12	0501010694	FLAT WASHER		06
13	0501069662	MOTOR HYFRAULIC SLEEVE		01
14	0521056597	LEFT/RIGHT SILO THREAD DISTRIBUTOR ASSEMBLY	21	02
15	0581019023	PROTECTION CANNON FERTILIZER		01
16	0503011136	BOLT 1/2 UNC X 1/2 S C S I 12.9		01
17	0521010691	AXLE FASTENER		02
18	0511017303	FLAT WASHER		02
19	0503010143	1/4" SPRING WASHER		02
20	0503010144	1/4" NUT		02
21	0581019022	SQUARE AXLE 3/4 X 2275		01
22	0503010373	SCREW 1/4 UNC X 2 CS G.2 ZN		02
23	0503031527	AGRICULTURAL BEARING		02
24	0521018630	1.4" X SQUARE 0.8" WASHER		02
25	0503010019	1/2" SPRING WASHER		06
26	0503010060	1/2" NUT		06
27	0503014378	1/2" X 1-1/2" BOLT		02
28	0503014734	BOLT		04
29	0521056615	HOSE KIT	22	01
30	0581018980	AXIS CENTRAL PROTECTION		01
31	0591011243	LOWER AXLE CENTRAL PROTECTION		01

Item	Code	Description	See page	QT
32	0581019971	CONVEYOR THREAD PROTECTION		04
33	0531054116	SEMI-ASSEMBLED FERTILIZER BOX WITH HANDLE	16	01
34	0501082218	HOSE 2.1/2 X 1600 AB - AB		04
35	0503011266	CLAMP 2.1/4" A 3" 57-76		04

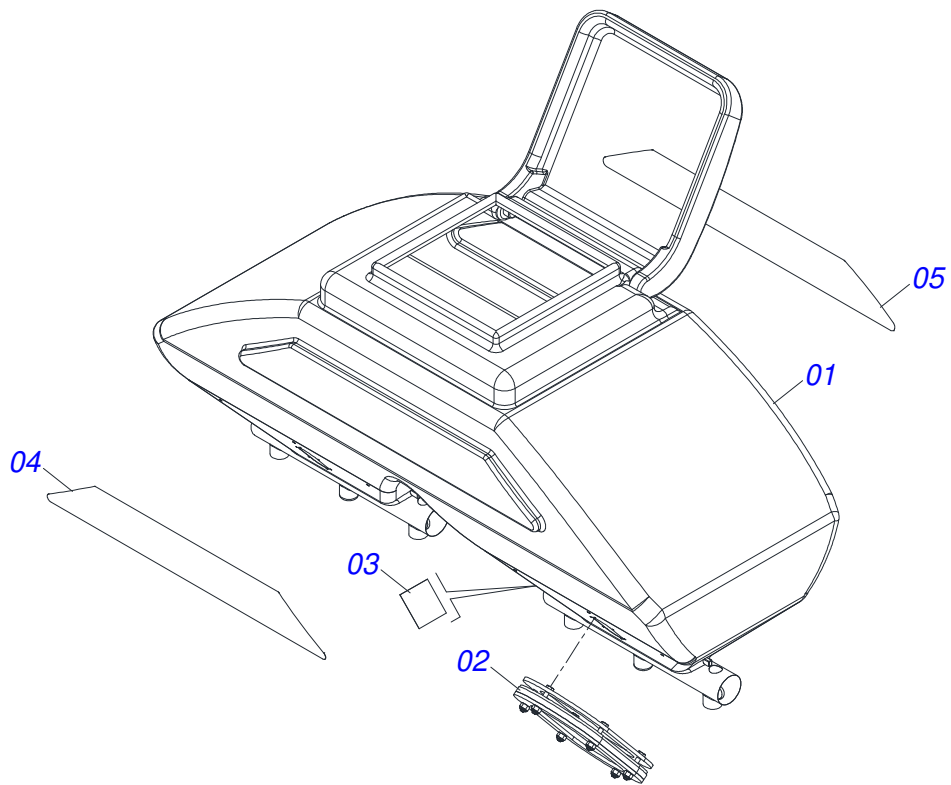


Item	Code	Description	See page	QT
01	0521054622	BEAN ASSY SUPPORT	18	02
02	0521069449	MOTOR FIXING SUPPORT		01
03	0503012829	VALVE HYDRAULIC MOTOR ASSY		01
04	0503010045	O-RING		02
05	0511010111	7/8" NIPPLE		02
06	0501053834	MALE QUICK COUPLER	19	02
07	0521056598	SUPPORT BEAN ASSY	20	01
08	0581019046	ENGINE AXLE PROTECTION		01
09	0503010337	5/16" NUT		06
10	0503010179	LOCK WASHER		06
11	0503011953	5/16" X 1" BOLT		06
12	0501010694	FLAT WASHER		06
13	0501069662	MOTOR HYFRAULIC SLEEVE		01
14	0521056597	LEFT/RIGHT SILO THREAD DISTRIBUTOR ASSEMBLY	21	02
15	0581019023	PROTECTION CANNON FERTILIZER		01
16	0503011136	BOLT 1/2 UNC X 1/2 S C S I 12.9		01
17	0521010691	AXLE FASTENER		02
18	0511017303	FLAT WASHER		02
19	0503010143	1/4" SPRING WASHER		02
20	0503010144	1/4" NUT		02
21	0581019022	SQUARE AXLE 3/4 X 2275		01
22	0503010373	SCREW 1/4 UNC X 2 CS G.2 ZN		02
23	0503031527	AGRICULTURAL BEARING		02
24	0521018630	1.4" X SQUARE 0.8" WASHER		02
25	0503010019	1/2" SPRING WASHER		06
26	0503010060	1/2" NUT		06
27	0503014378	1/2" X 1-1/2" BOLT		02
28	0503014734	BOLT		04
29	0521056615	HOSE KIT	22	01
30	0581018980	AXIS CENTRAL PROTECTION		01
31	0591011243	LOWER AXLE CENTRAL PROTECTION		01

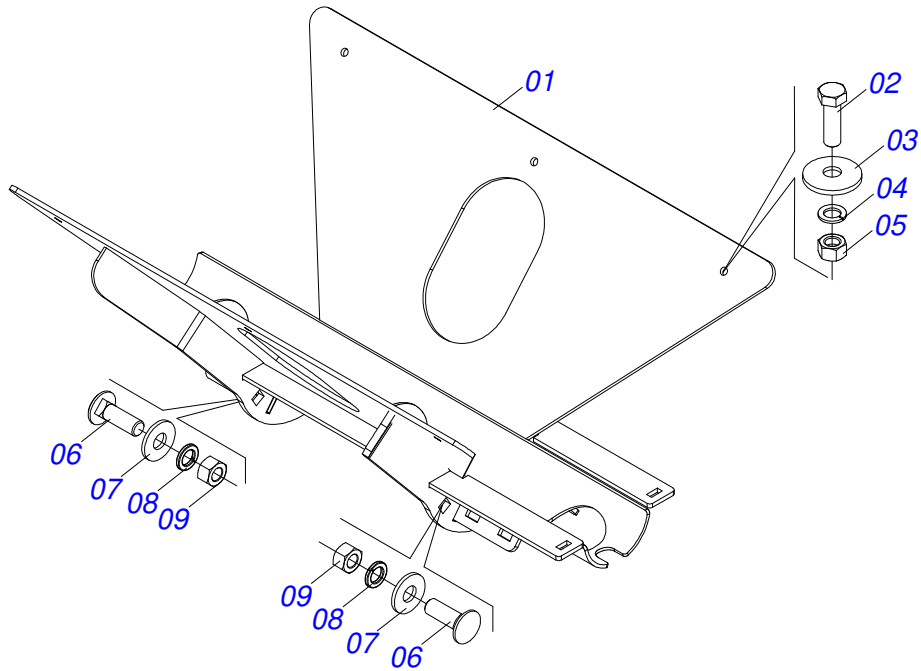
Item	Code	Description	See page	QT
32	0581019971	CONVEYOR THREAD PROTECTION		04
33	0531054125	SEMI-ASSEMBLED FERTILIZER BOX WITHOUT HANDLE	17	01
34	0501082218	HOSE 2.1/2 X 1600 AB - AB		04
35	0503011266	CLAMP 2.1/4" A 3" 57-76		04



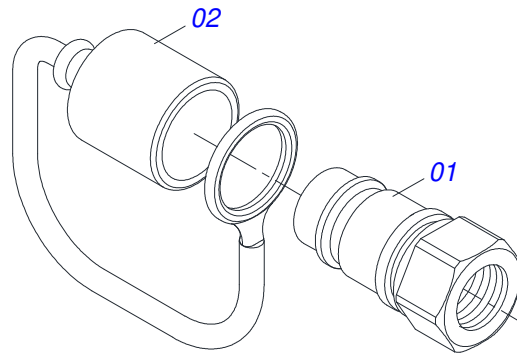
Item	Code	Description	See page	QT
01	0591011308	POLYETHYLENE BOX	01	01
02	0581019433	ROPE 3/8 X 1400	01	01
03	0503014255	14 X 22 CLAMP	02	02
04	0521054716	ASSY DISPLAY	02	02
05	0531060218	FERTILIZER BOX SIEVE	01	01
06	0503032930	ADHESIVE LABEL DANGER	04	04
07	0581019434	HANDLE COVER	01	01
08	0503012534	LOCK WASHER	02	02
09	0503012530	5/16" INOX NUT	02	02
10	0503019350	SCREW 5/16 UNC X 2	02	02
11	0503035727	EMBLEM	01	01
12	0503035728	CIVEMASA LOGO EMBLEM	01	01



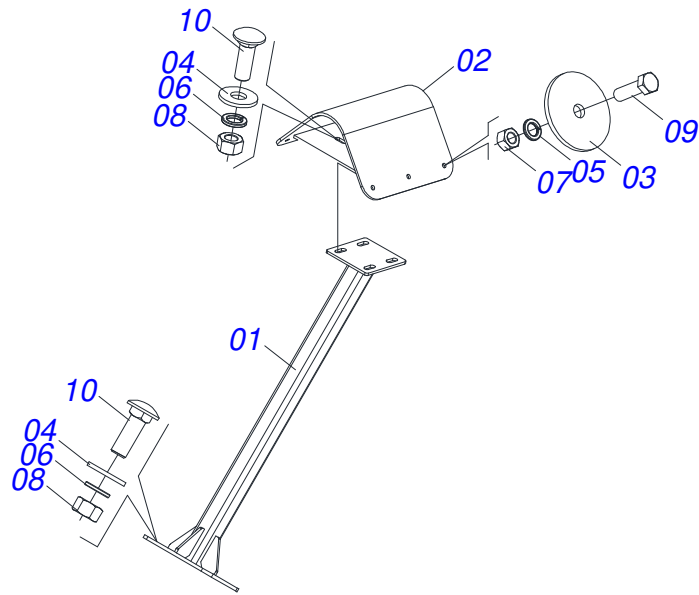
Item	Code	Description	See page	QT
01	0501212385	POLYETHYLENE BOX WITH LID - 1250 LITERS		01
02	0521054716	ASSY DISPLAY		02
03	0503032930	ADHESIVE LABEL DANGER		04
04	0503035727	EMBLEM		01
05	0503035728	CIVEMASA LOGO EMBLEM		01



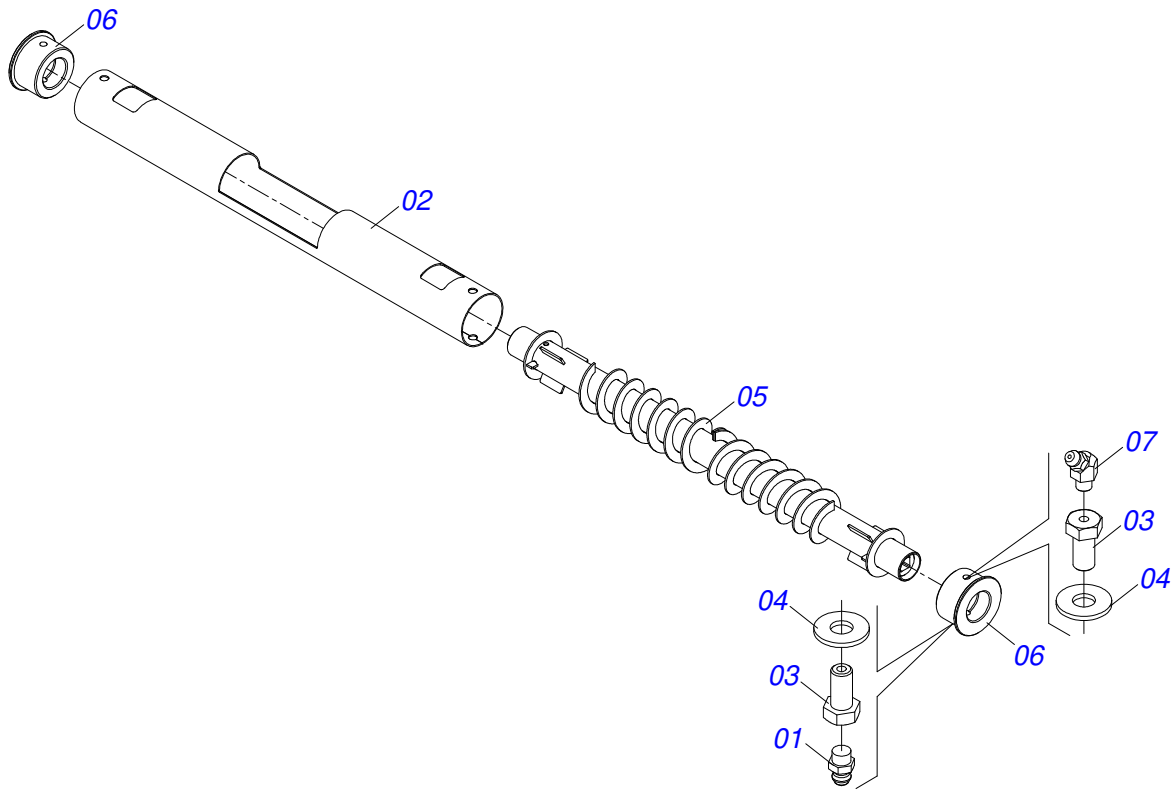
Item	Code	Description	See page	QT
01	0521069445	BEAM SUPPORT		01
02	0503013751	3/8 UNC X 1.1/4 BOLT		06
03	0571019051	FIXER BOX WASHER		06
04	0503010025	3/8" SPRING WASHER		06
05	0503010026	3/8" NUT		06
06	0503013842	5/8" UNC X 1-3/4" BOLT		06
07	0501012140	FLAT WASHER		06
08	0503010027	5/8" SPRING WASHER		06
09	0503010013	5/8" NUT		06



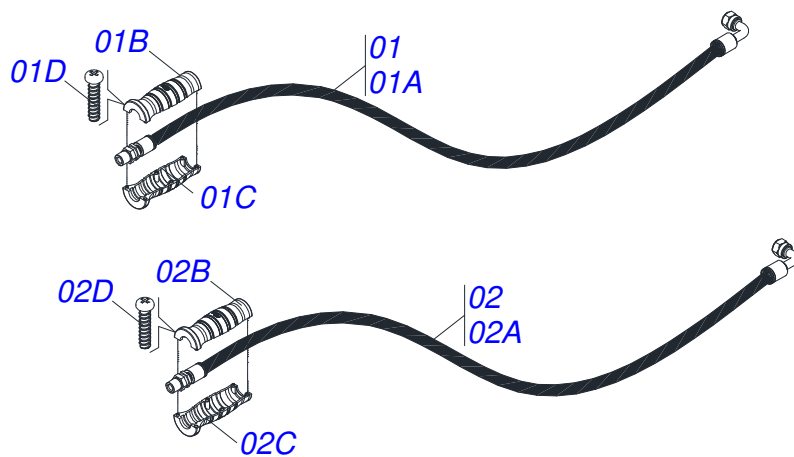
Item	Code	Description	See page	QT
01	0503011627	MALE QUICK COUPLER AGR 1/2 NPT		01
02	0503011882	MALE QUICK COUPLER CAP		01



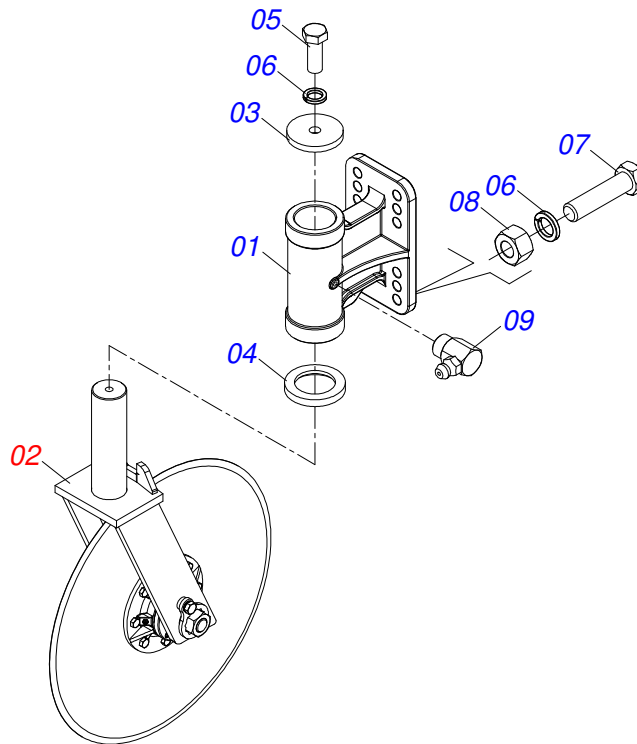
Item	Code	Description	See page	QT
01	0531060219	SILO SUPPORT ARM		01
02	0521069444	BASE SUPPORT BEAM		01
03	0571019051	FIXER BOX WASHER		06
04	0511017302	FLAT WASHER		08
05	0503010025	3/8" SPRING WASHER		06
06	0503010019	1/2" SPRING WASHER		08
07	0503010026	3/8" NUT		06
08	0503010060	1/2" NUT		08
09	0503013751	3/8 UNC X 1.1/4 BOLT		06
10	0503014378	1/2" X 1-1/2" BOLT		08



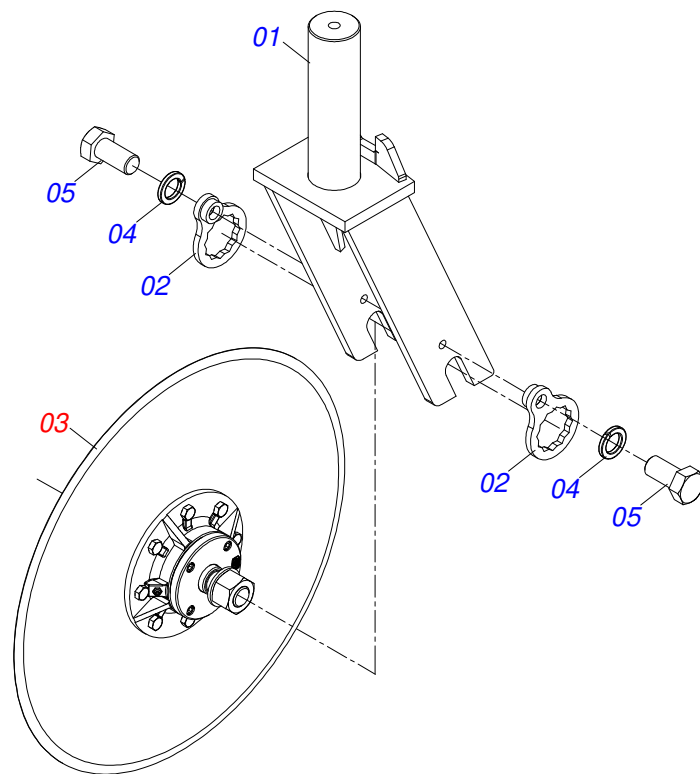
Item	Code	Description	See page	QT
01	0503010691	1/4" GREASE FITTING		02
02	0551015492	TUBE COATED		01
03	0541014215	BEARING BOLT		04
04	0511017302	FLAT WASHER		04
05	0511068620	FERTILIZER CONDUCTOR		01
06	0551015225	FERTILIZER CONDUCTOR BEARING		02
07	0503011099	GREASE FITTING		02



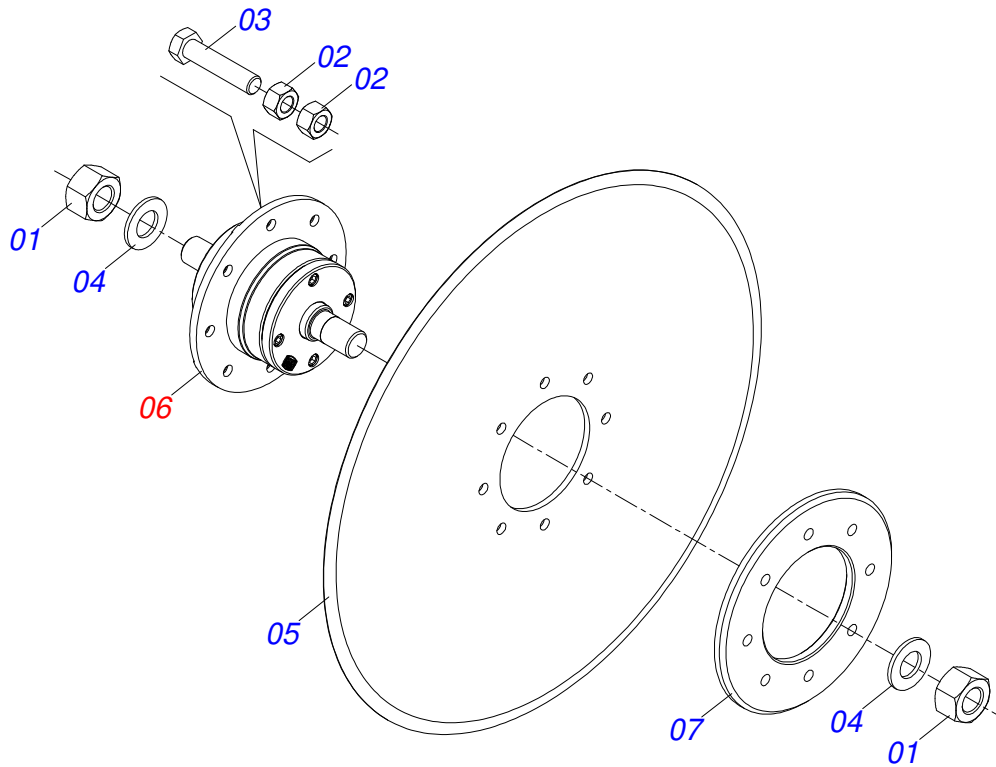
Item	Code	Description	See page	QT
01	0521056613	3/8 X 3500 TC-TM HOSE YELLOW / RED		01
01A	0501080365	HOSE 3/8 X 3500 TC-TM		01
01B	0503034493	HYDRAULIC HOSE DEPTH (YELLOW)		01
01C	0503034495	HYDRAULIC HOSE GRIP (RED)		01
01D	0503018952	PLASTIC BOLT		06
02	0521056614	HOSE 3/8 X 3500 TR-TM YELLOW / BLUE		01
02A	0501080365	HOSE 3/8 X 3500 TC-TM		01
02B	0503034493	HYDRAULIC HOSE DEPTH (YELLOW)		01
02C	0503034494	HYDRAULIC HOSE GRIP (BLUE)		01
02D	0503018952	PLASTIC BOLT		06



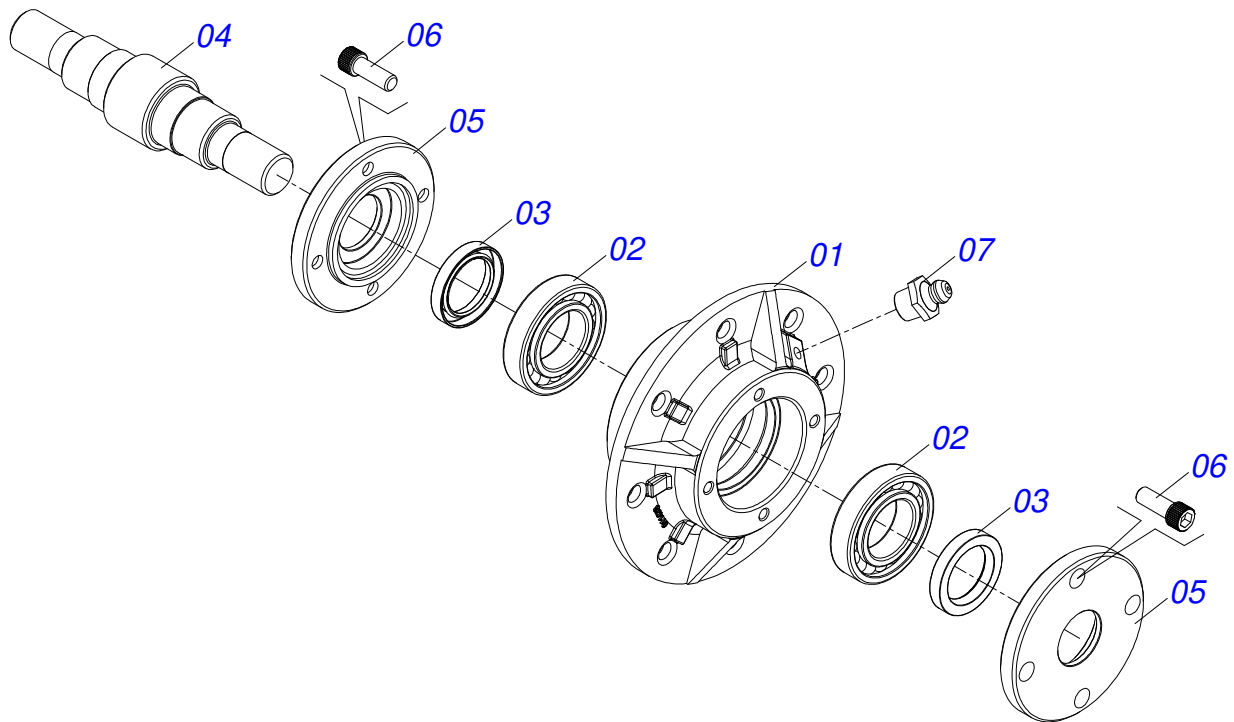
Item	Code	Description	See page	QT
01	0502012370	WITH BLADE DISC SUPPORT		01
02	0521056601	26" CUTTING DISC SEMI-ASSEMBLED	24	01
03	0541018868	FLAT WASHER		01
04	0541018869	FLAT WASHER		01
05	0501010098	3/4" UNC BOLT		01
06	0503010023	3/4" SPRING WASHER		05
07	0501010500	3/4"X3"BOLT		04
08	0503010014	3/4" NUT		04
09	0503010004	1890 GREASE FITTING		01



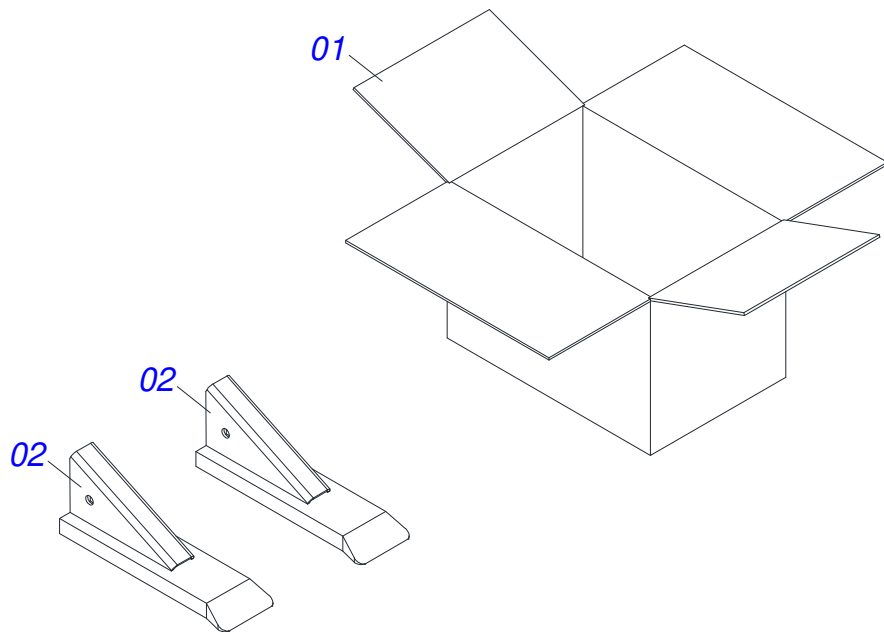
Item	Code	Description	See page	QT
01	0511067105	BLADE DISC FORK		01
02	0501069637	AXLE NUT LOCK		02
03	0501052395	26" CUTTING DISK WITH BOX	25	01
04	0503011445	SPRING WASHER		02
05	0503010962	5/8" X 1-1/4" BOLT		02



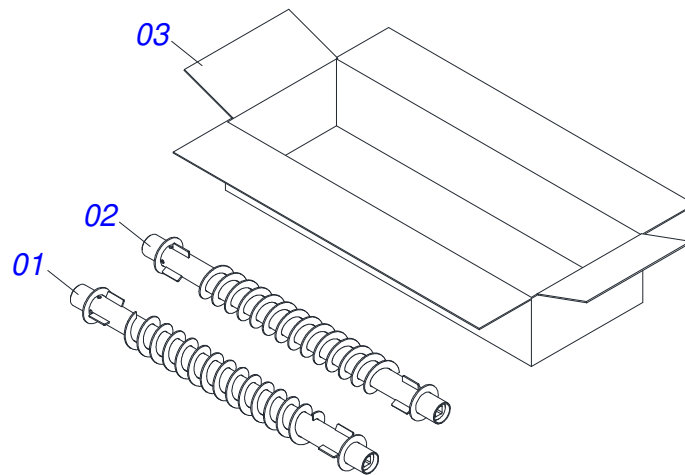
Item	Code	Description	See page	QT
01	0501010087	1.1/4" NUT		02
02	0503010060	1/2" NUT		16
03	0503010905	1/2" X 2-1/4" BOLT		08
04	0501017779	32 X 60 X 4.75 FLAT WASHER		02
05	0603032025	PLAIN COULTER BLADE		01
06	0501057526	DISC HUB	26	01
07	0521011824	BLADE DISC FLANGE OUTER		01



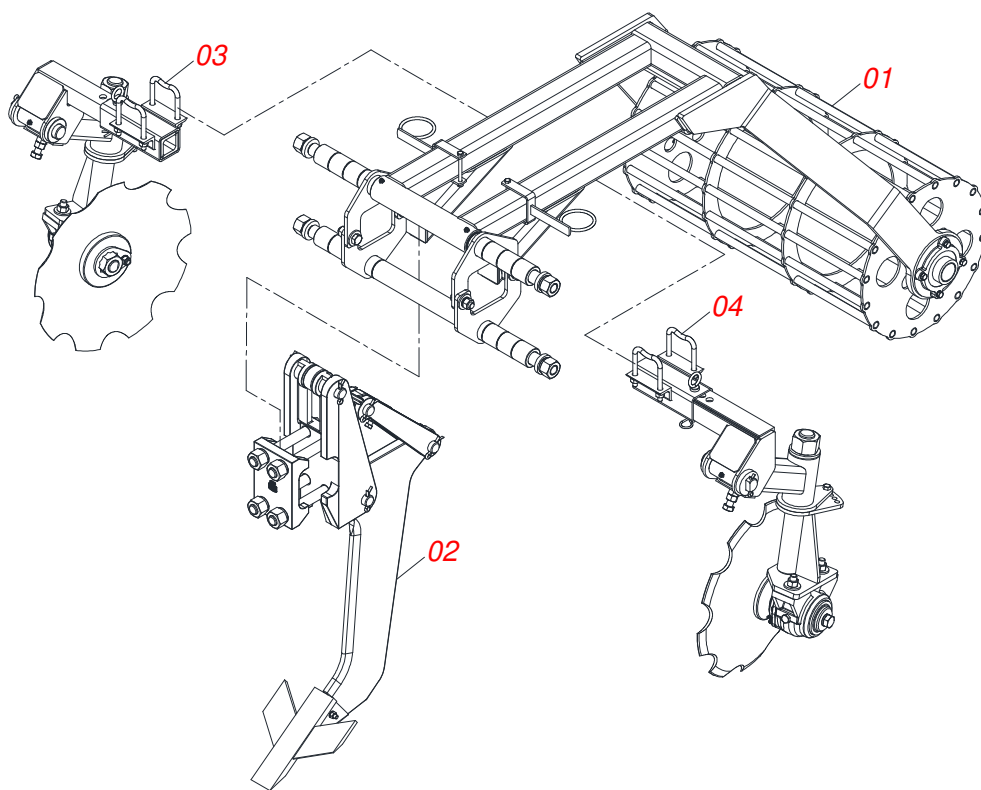
Item	Code	Description	See page	QT
01	0502011478	DISC HUB		01
02	0503011291	6209 BALL BEARING		02
03	0503012106	00521-BR RETAINER		02
04	0521012661	BLADE DISC AXLE HUB		01
05	0502011477	BLADE DISC HOUSIG CP		02
06	0503010134	3/8" X 1" BOLT		08
07	0503010002	1800 GREASE FITTING		01
08	1882970002	GREASE SOAP		0,03Kg



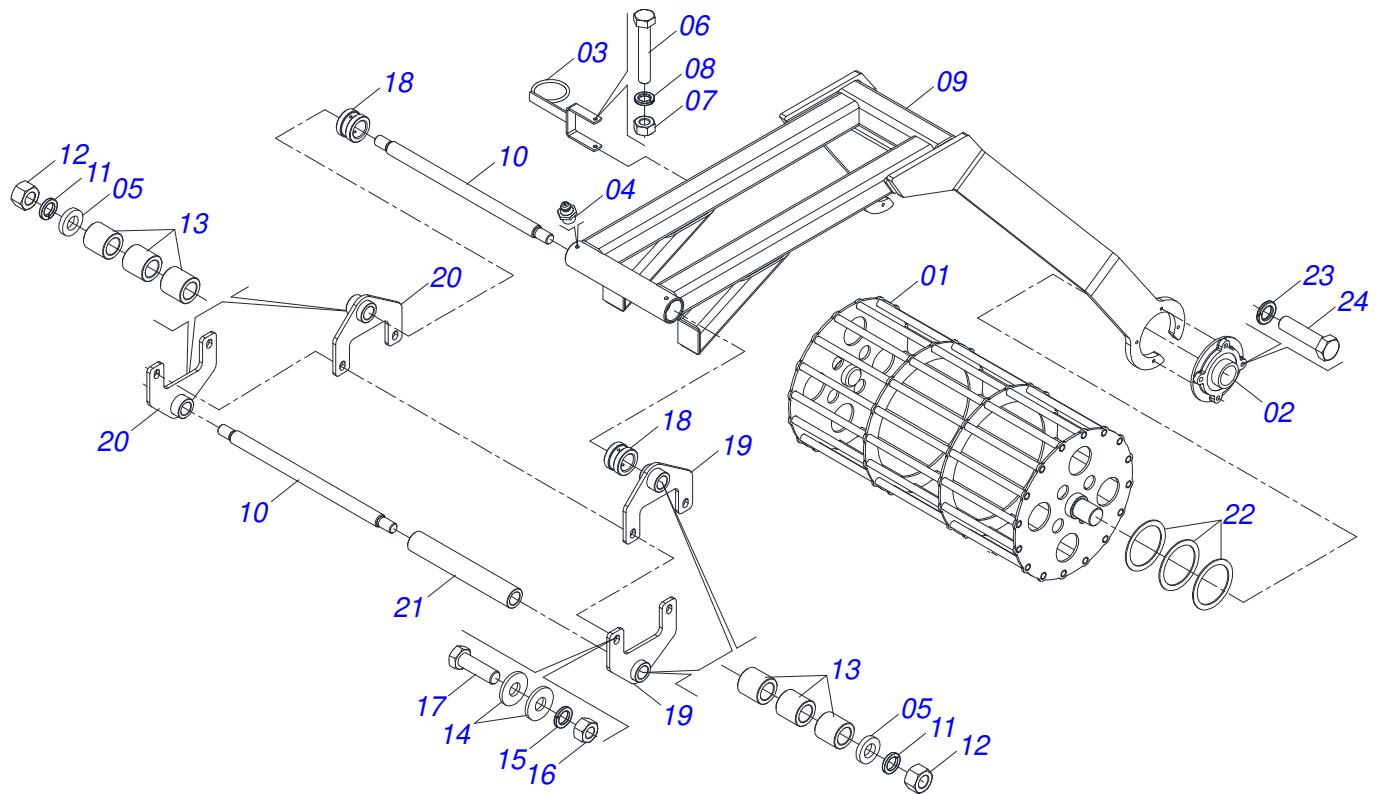
Item	Code	Description	See page	QT
01	0503030589	BOX 300X200X200		01
02	0511067842	SUBSOLER TIP		02



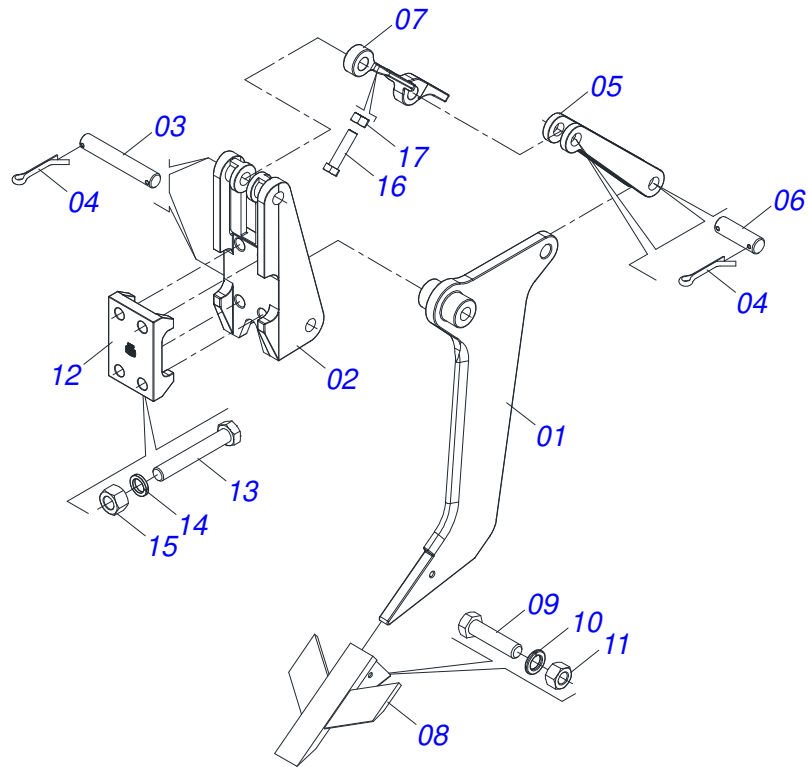
Item	Code	Description	See page	QT
01	0521069784	RIGHT FERTILIZER CONDUCTOR		01
02	0521069783	LEFT FERTILIZER CONDUCTOR		01
03	0503030992	CARDBOARD BOX		01



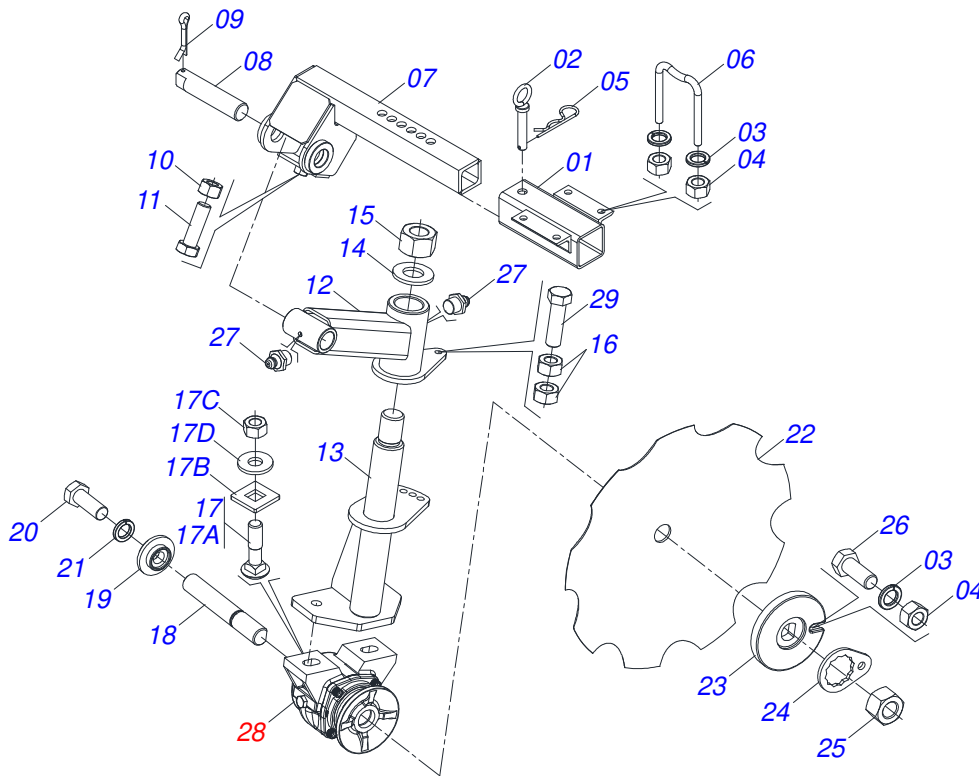
Item	Code	Description	See page	QT
01	0531054128	CRUMBING ROLLER ASSEMBLY	30	01
02	0501054884	SHANKS SYSTEM ASSY	31	01
03	0501057551	SET RIGHT DISC DEVELOPER	32	01
04	0501057552	SET LEFT DISC DEVELOPER	33	01



Item	Code	Description	See page	QT
01	0511066713	SEATED ROLLER	01	
02	0503013156	BEARING WITH BALL	02	
03	0511067647	HOSE HOLDER	02	
04	0503010002	1800 GREASE FITTING	02	
05	0521012087	FLAT WASHER	04	
06	0503010848	5/16" X 3.1/2" BOLT	02	
07	0503010337	5/16" NUT	02	
08	0503010179	LOCK WASHER	02	
09	0531063598	ROLLER SUPPORT	01	
10	0501212809	860 SWINGING ARMS ARTICULATING AXIS	02	
11	0503010012	1" SPRING WASHER	04	
12	0503010340	1" NUT	04	
13	0501212807	SLEEVE	12	
14	0501012140	FLAT WASHER	08	
15	0503010027	5/8" SPRING WASHER	04	
16	0503010013	5/8" NUT	04	
17	0501010100	SCREW 5/8 UNC X 2 CS G.5 ZN	04	
18	0521012122	DRIVER ROCKING SLEEVE SUPPORT	02	
19	0531063593	LEFT FIXING BEARING	02	
20	0531063594	RIGHT FIXING BEARING	02	
21	0501212812	SLEEVE	01	
22	0501212813	FLAT WASHER	06	
23	0503010025	3/8" SPRING WASHER	08	
24	0503010849	3/8" X 1-1/2" BOLT	08	

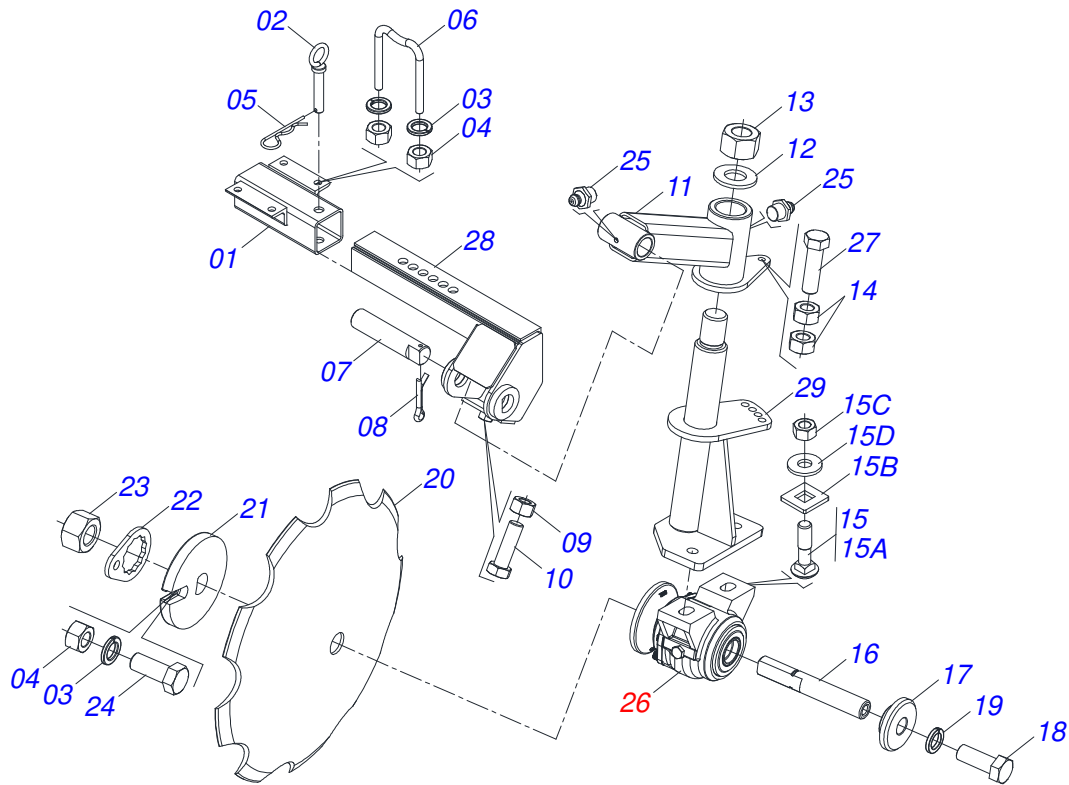


Item	Code	Description	See page	QT
01	0502040762	SUBSOILER ARM		01
02	0502011165	REAR FIXER		01
03	0511015688	28,50X180 COUPLING SHAFT		02
04	0503010571	1/4" X 1.1/2 COTTERPIN		08
05	0502011164	SUPPORT SPRING		01
06	0511015689	1.1" X 3.5" COUPLING SHAFT		02
07	0521011631	AUTOMATIC RESET		01
08	0511067838	POINT SUBSOILER		01
09	0503011236	3/8" X 2" BOLT		01
10	0503011443	3/8" SPRING WASHER		01
11	0503010026	3/8" NUT		01
12	0502011166	FRONT FIXER		01
13	0511019527	1" X 8" BOLT		04
14	0503011438	SPRING WASHER		04
15	0503010340	1" NUT		04
16	0503011195	7/16" X 1.3/4" BOLT		01
17	0503010244	7/16" NUT		01



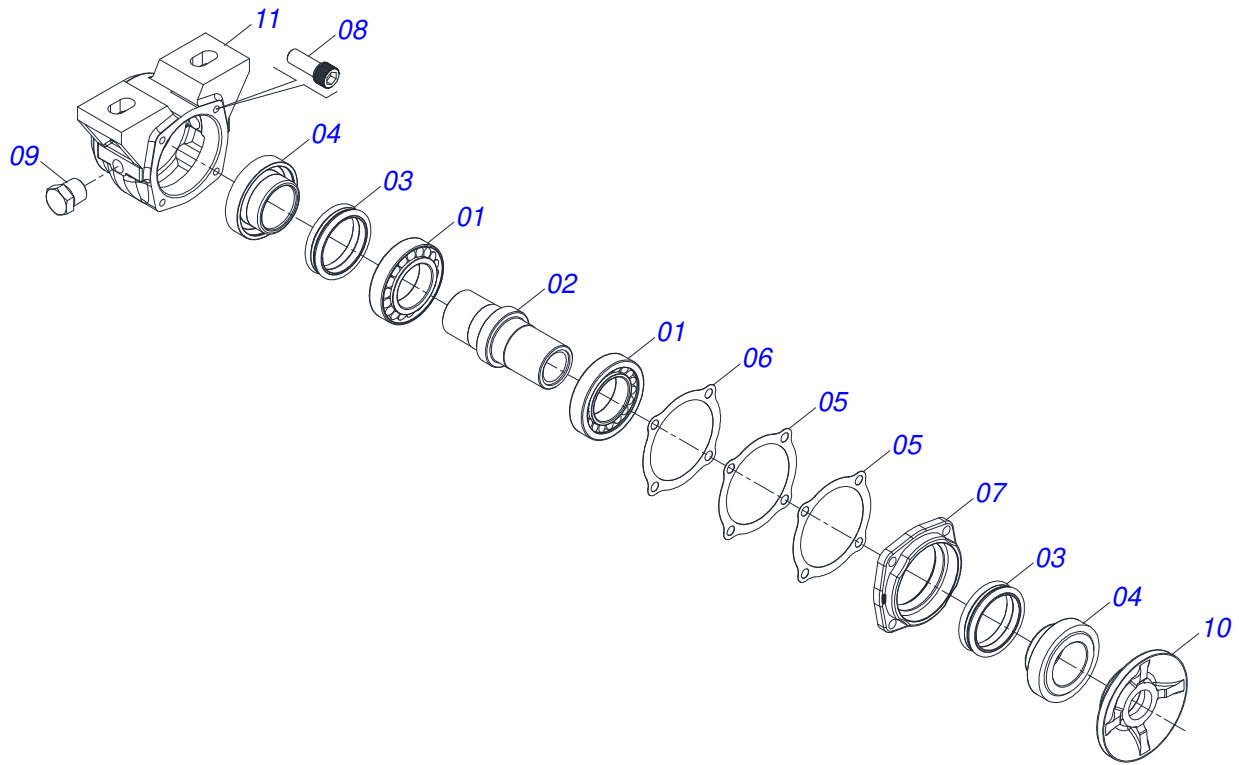
Item	Code	Description	See page	QT
01	0511068546	ARM SUPPORT ADJUSTMENT	01	01
02	0511068550	COUPLING SHAFT	01	01
03	0503010019	1/2" SPRING WASHER	05	05
04	0503010060	1/2" NUT	05	05
05	0503030012	HAIR PIN	01	01
06	0521010656	1/2" X 4.3" X 3.3" FASTENER	02	02
07	0511068547	REGULATOR ARM	01	01
08	0551010402	34,93 X 160,50/161 AXLE	01	01
09	0503010523	1/4" X 2" COTTERPIN	01	01
10	0503010013	5/8" NUT	01	01
11	0501010100	SCREW 5/8 UNC X 2 CS G.5 ZN	01	01
12	0511068553	REGULATOR ARM	01	01
13	0511068551	RIGHT SUPPORT DISC	01	01
14	0521012120	WASHER	01	01
15	0501010110	1.1/2" NUT	01	01
16	0503010244	7/16" NUT	02	02
17	0501048963	5/8" X 2-1/2" BOLT ASSY	02	02
17A	0501014177	5/8" X 2-1/2" BOLT	02	02
17B	0501010947	5/8 NUT LOCK	02	02
17C	0503010013	5/8" NUT	02	02
17D	0501012140	FLAT WASHER	02	02
18	0521015310	1.1/4 UNC X 206 AXLE	01	01
19	0521015311	WASHER	01	01
20	0501010098	3/4" UNC BOLT	01	01
21	0503010023	3/4" SPRING WASHER	01	01
22	0602025262	18" X 4,5 NOTCHED DISC BLADE	01	01
23	0502010834	1-1/4" INNER AXLE WASHER	01	01
24	0501010455	1.1/4" NUT LOCK	01	01
25	0501010087	1.1/4" NUT	01	01
26	0501010161	1/2" X 1.1/4" BOLT	01	01
27	0503010002	1800 GREASE FITTING	02	02

Item	Code	Description	See page	QT
28	0511045846	OIL BATH BEARING	34	01
29	0503011135	BOLT		01

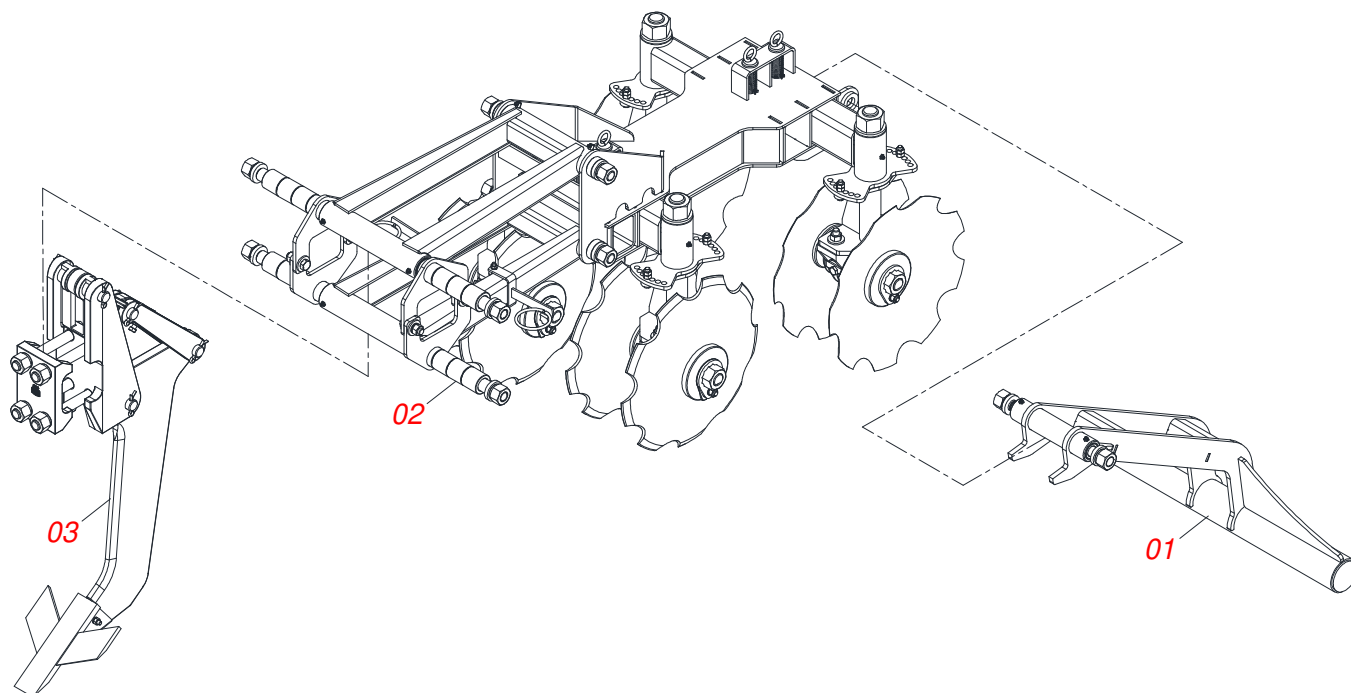


Item	Code	Description	See page	QT
01	0511068546	ARM SUPPORT ADJUSTMENT		01
02	0511068550	COUPLING SHAFT		01
03	0503010019	1/2" SPRING WASHER		05
04	0503010060	1/2" NUT		05
05	0503030012	HAIR PIN		01
06	0521010656	1/2" X 4.3" X 3.3" FASTENER		02
07	0551010402	34,93 X 160,50/161 AXLE		01
08	0503010523	1/4" X 2" COTTERPIN		01
09	0503010013	5/8" NUT		01
10	0501010100	SCREW 5/8 UNC X 2 CS G.5 ZN		01
11	0511068553	REGULATOR ARM		01
12	0521012120	WASHER		01
13	0501010110	1.1/2" NUT		01
14	0503010244	7/16" NUT		02
15	0501048963	5/8" X 2-1/2" BOLT ASSY		02
15A	0501014177	5/8" X 2-1/2" BOLT		02
15B	0501010947	5/8 NUT LOCK		02
15C	0503010013	5/8" NUT		02
15D	0501012140	FLAT WASHER		02
16	0521015310	1.1/4 UNC X 206 AXLE		01
17	0521015311	WASHER		01
18	0501010098	3/4" UNC BOLT		01
19	0503010023	3/4" SPRING WASHER		01
20	0602025262	18" X 4,5 NOTCHED DISC BLADE		01
21	0502010834	1-1/4" INNER AXLE WASHER		01
22	0501010455	1.1/4" NUT LOCK		01
23	0501010087	1.1/4" NUT		01
24	0501010161	1/2" X 1.1/4" BOLT		01
25	0503010002	1800 GREASE FITTING		02
26	0511045846	OIL BATH BEARING	34	01
27	0503011135	BOLT		01

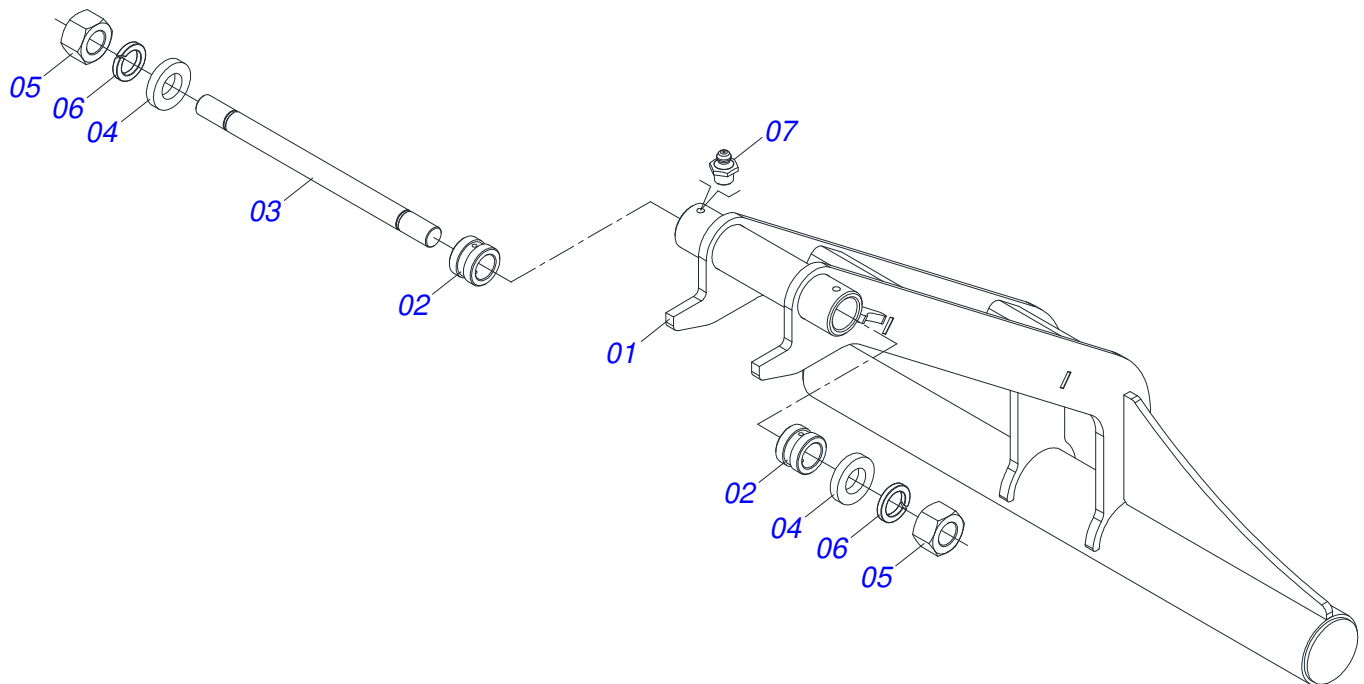
Item	Code	Description	See page	QT
28	0511068548	LH REGULATOR ARM		01
29	0511068552	LEFT SUPPORT DISC		01



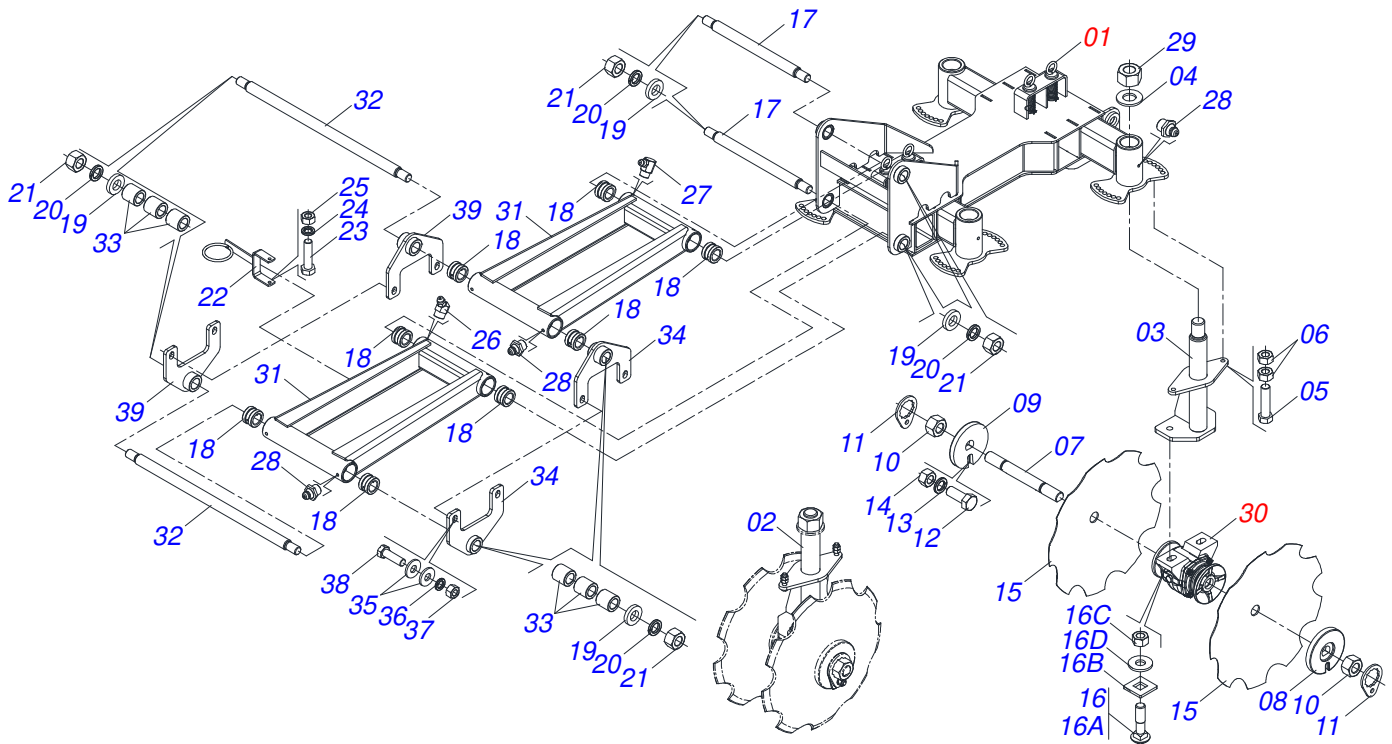
Item	Code	Description	See page	QT
01	0503010111	30210 ROLLER BEARING		02
02	0502040484	BEARING AXLE		01
03	0503030026	SEAL LP JB-253		02
04	0502010541	SEAL RETAINER		02
05	0503030013	4.4" X 3.5" X 0.004" JOINT		02
06	0503030684	4.4" X 3.5" X 0.004" JOINT		01
07	0502020424	HOUSING CAP		01
08	0503010134	3/8" X 1" BOLT		04
09	0503010856	OIL PLUG		02
10	0502010073	OUTER FLANGE		01
11	0502011765	HOUSING DM		01
12	3402301247	MINERAL OIL GREASE		0,11 LT



Item	Code	Description	See page	QT
01	0501054945	REAR LEVELING	36	01
02	0531054122	FRAME ASSEMBLY WITH 8 CUT OUT DISCS	37	01
03	0501054884	SHANKS SYSTEM ASSY	31	01

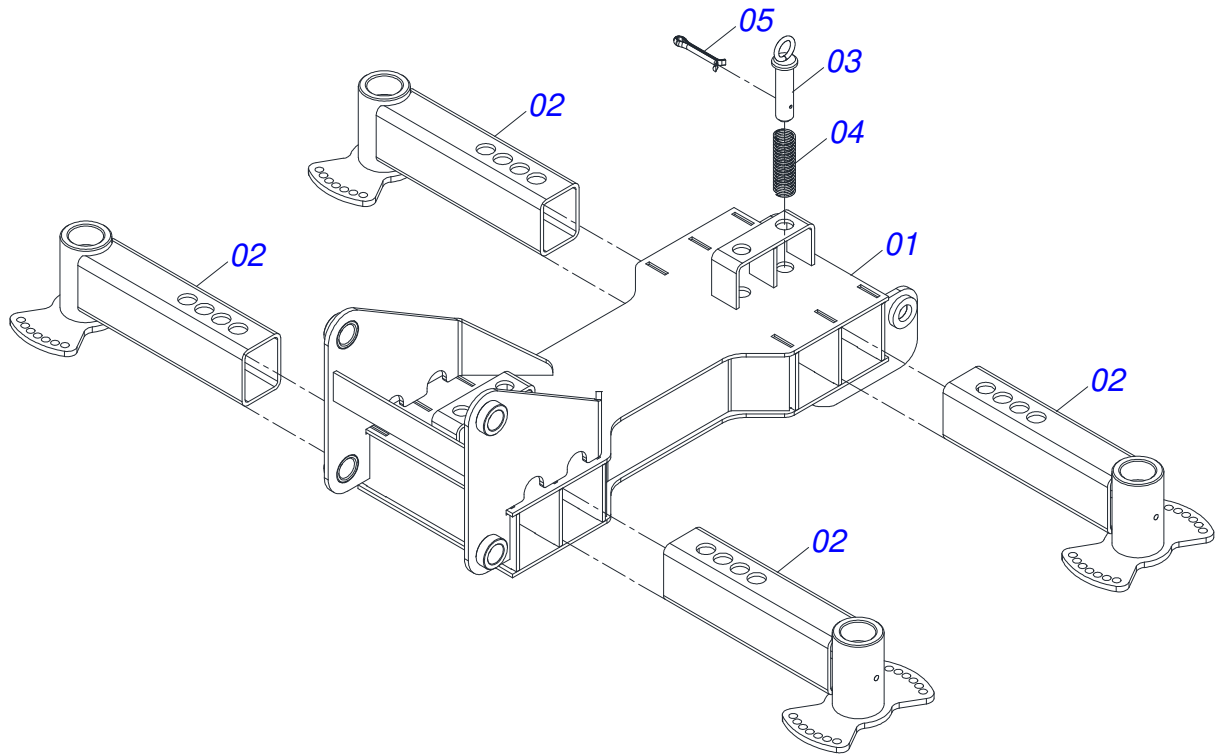


Item	Code	Description	See page	QT
01	0511064998	REAR LEVELING		01
02	0531010280	SLEEVE ARM REAR LEVELING		02
03	0531010281	REAR LEVELING AXLE ARM		01
04	0521012087	FLAT WASHER		02
05	0503010340	1" NUT		02
06	0503010012	1" SPRING WASHER		02
07	0503010002	1800 GREASE FITTING		02

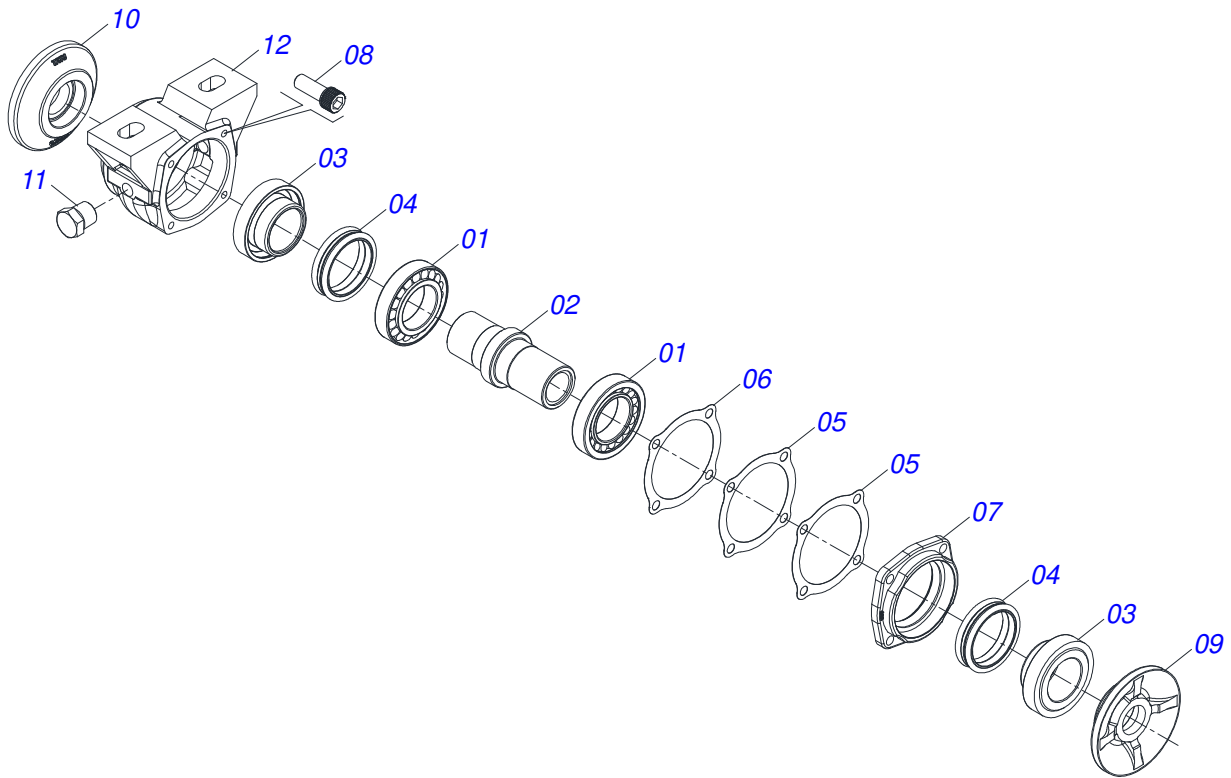


Item	Code	Description	See page	QT
01	0501055628	FRAME HORROW TANDEM	38	01
02	0511063098	DISC SUPPORT UPPER		02
03	0511063099	DISC REG SUPPORT LOWER		02
04	0521012120	WASHER		04
05	0503011195	7/16" X 1.3/4" BOLT		08
06	0503010244	7/16" NUT		16
07	0521012160	1.1/4" X 290 AXLE		04
08	1902010834	1-1/4" INNER AXLE WASHER		04
09	1902010835	1-1/4" EXTERNAL AXLE WASHER		04
10	0501010087	1.1/4" NUT		08
11	0501010455	1.1/4" NUT LOCK		08
12	0501010161	1/2" X 1.1/4" BOLT		08
13	0503010019	1/2" SPRING WASHER		08
14	0503010060	1/2" NUT		08
15	0602025262	18" X 4,5 NOTCHED DISC BLADE		08
16	0501048963	5/8" X 2-1/2" BOLT ASSY		08
16A	0501014177	5/8" X 2-1/2" BOLT		08
16B	0501010947	5/8 NUT LOCK		08
16C	0503010013	5/8" NUT		08
16D	0501012140	FLAT WASHER		08
17	0521012121	AXLE SMALEER PIVOT		02
18	0521012122	DRIVER ROCKING SLEEVE SUPPORT		08
19	0521012087	FLAT WASHER		08
20	0503010012	1" SPRING WASHER		08
21	0503010340	1" NUT		08
22	0511067339	HOSE SUPPORT		02
23	0503013096	5/16" X 4" BOLT		02
24	0503010179	LOCK WASHER		02
25	0503010337	5/16" NUT		02
26	0503010003	1845 GREASE FITTING		02
27	0503010004	1890 GREASE FITTING		02

Item	Code	Description	See page	QT
28	0503010002	1800 GREASE FITTING		08
29	0501010110	1.1/2" NUT		04
30	0501049008	7.2" X 1-1/4" OIL BATH BEARING	39	04
31	0531063595	SWINGING ARM		02
32	0501212809	860 SWINGING ARMS ARTICULATING AXIS		02
33	0501212807	SLEEVE		12
34	0531063593	LEFT FIXING BEARING		02
35	0501012140	FLAT WASHER		08
36	0503010027	5/8" SPRING WASHER		04
37	0503010013	5/8" NUT		04
38	0501010100	SCREW 5/8 UNC X 2 CS G.5 ZN		04
39	0531063594	RIGHT FIXING BEARING		02



Item	Code	Description	See page	QT
01	0511067115	ROCKING HORROW	01	
02	0501069469	DISC ADJUSTER ARM	04	
03	0501069472	LOCK AXLE REGULATOR ARM	04	
04	0503030978	COMPRES SPRING	04	
05	0503010131	3/16" X 1-1/2" COTTERPIN	04	



Item	Code	Description	See page	QT
01	0503010111	30210 ROLLER BEARING		02
02	0502040218	AXLE		01
03	0502010541	SEAL RETAINER		02
04	0503030026	SEAL LP JB-253		02
05	0503030013	4.4" X 3.5" X 0.004" JOINT		02
06	0503030684	4.4" X 3.5" X 0.004" JOINT		01
07	0502020424	HOUSING CAP		01
08	0503010134	3/8" X 1" BOLT		04
09	0502010073	OUTER FLANGE		01
10	0502010074	INNER FLANGE		01
11	0503010856	OIL PLUG		02
12	0502011765	HOUSING DM		01
13	3402301247	MINERAL OIL GREASE		0,11 LT



civemasa

Technical Publications | Elaboration and Revision
LEONARDO JOSÉ DA SILVA SOUZA

www.civemasa.com.br

