

ROTARY CUTTERS

RTDC2E 2300/2600 R
RTDC2E 2300/2600 R

Code: 0501093242
Series: S-0222
Revision: 00
Revision Date: MARCH/2023

PARTS
CATALOGUE

CIVEMASA

A solid orange horizontal bar is positioned at the top left of the page, above the "PRODUCTS" heading.

PRODUCTS

Code	Working Width	Description
0121540049		RTDC2 E 2300 R S-0222
0121540050		RTDC2 E 2600 R S-0222

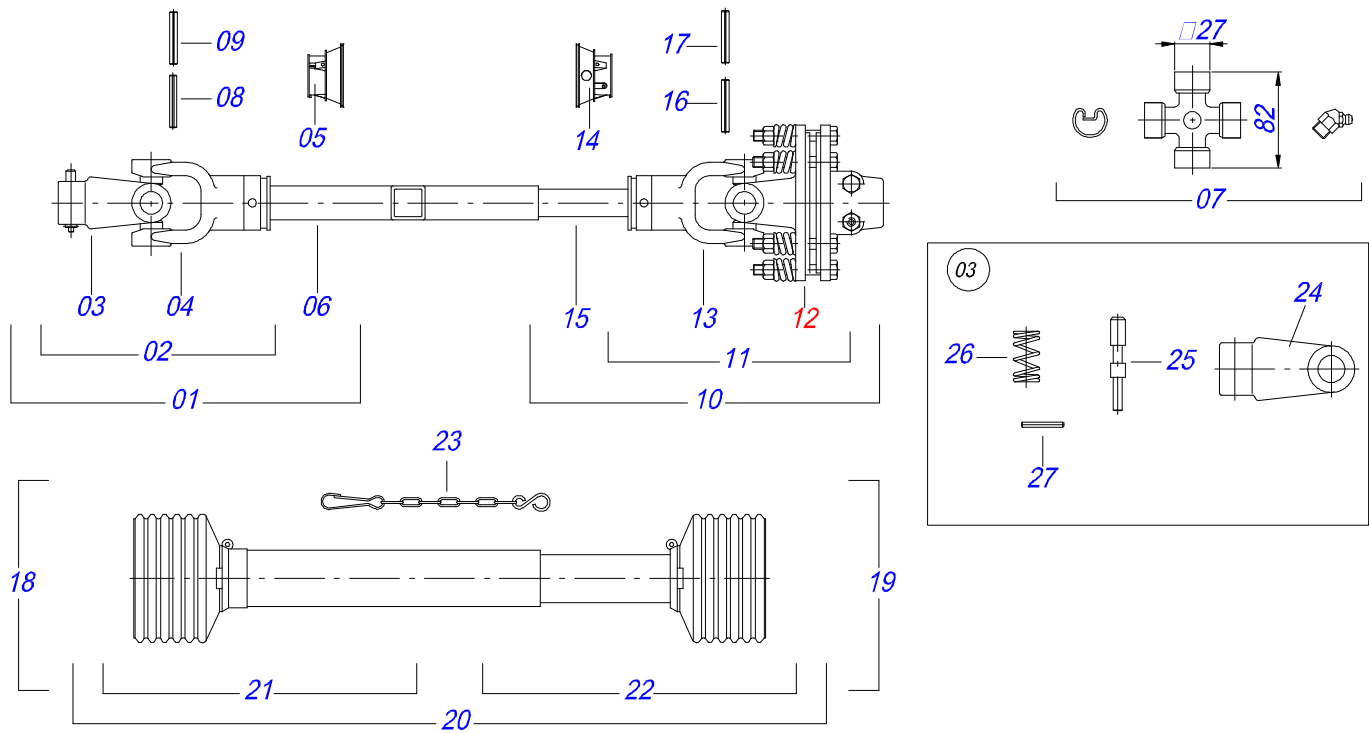
ATTENTION: IMPORTANT

CIVEMASA reserves the right to improve and/or modify the technical features of its products, without obligation to do the same with those products already sold and without prior knowledge of the dealer or the customer. The photos are only illustrative.

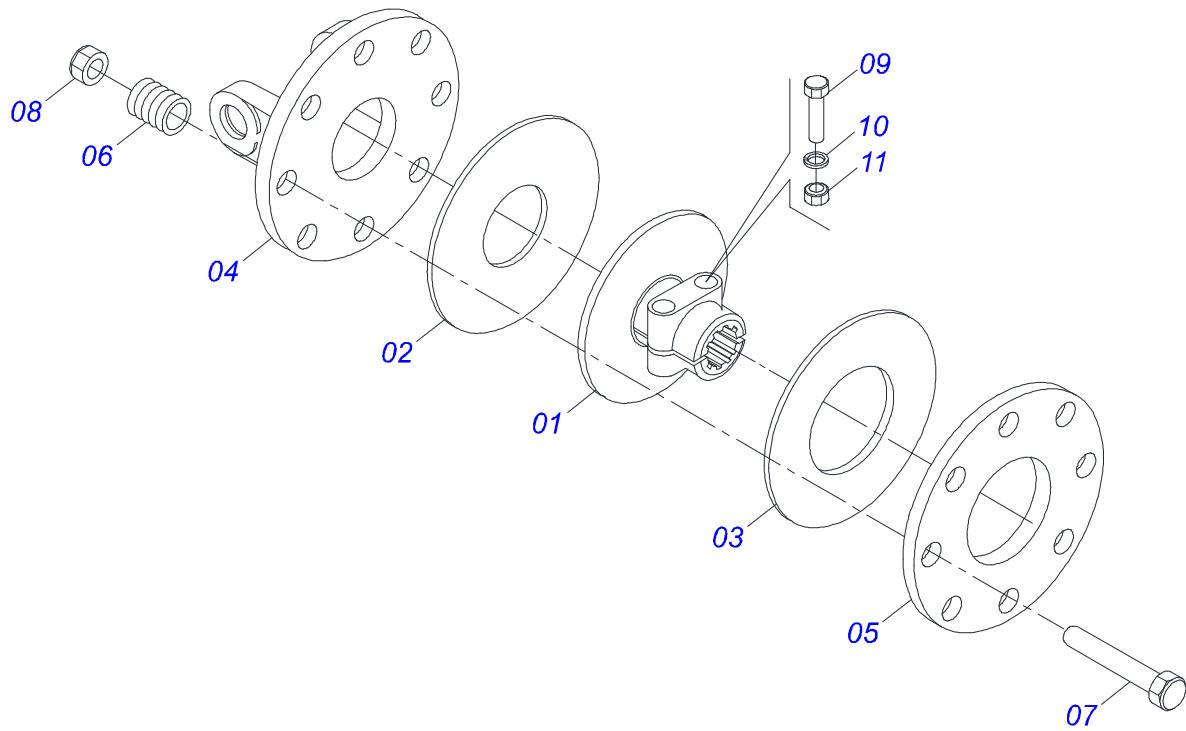
INDEX

0531042128	ASSY FRAME - 2300	1
0501047949	DRIVE SHAFT	2
0501043660	FRICTION 90 KG/M	3
0531042363	ELASTIC COUPLING JOINT WITH TERMINAL 1.3/8 6E	4
0531054841	ELASTIC COUPLING WITH TERMINAL 1.3/8 6E	5
0531041648	SUPPORT COVER PROTECTION CARDAN	6
0531053076	REAR CHAIN PROTECTION SIDE CHASSIS	7
0531053077	FRONT CHAIN PROTECTION SIDE CHASSIS	8
0531041649	RIGHT CARRYING WHEELS ASSEMBLY	9
0531041650	LEFT CARRYING WHEELS ASSEMBLY	10
0501058460	CARRYING WHEELS	11
0531053967	FRAME SEMI RIGHT SIDE MOUNTED	12
0531053968	FRAME SEMI LEFT SIDE MOUNTED	13
0531054377	COMPLETE CENTRAL FRAME WITH DISTRIBUTOR	14
0531053079	MANUAL CANISTER ASSY	15
0521058151	FRONT WHEEL RIGHT 202 X 100	16
0521058152	LEFT FRONT WHEEL	17
0521058153	WHELL LEFT	18
0531041653	SUPPORT COVER PROTECTION COUPLING WITH RIVET	19
0521054328	AXLE 27,80 X EC 130 ASSY	20
0521054135	AXLE 25,00 X EC 130 ASSY	21
0531042129	ASSY FRAME - 2600	22
0531042362	ELASTIC COUPLING GASKET WITH SHAFT 1.3/8 E6	23
0531054840	ELASTIC COUPLING WITH SHAFT 1.3/8 6E	24
0531042041	UNIVERSAL JOIN	25
0531041646	LARGER SUPPORT COVER PROTECTION	26
0531053071	REAR CHAIN PROTECTION SIDE CHASSIS	27
0531053072	FRONT CHAIN ??PROTECTION SIDE CHASSIS	28
0531053969	FRAME SEMI RIGHT SIDE MOUNTED	29
0531053075	CUTTERS SUPPORT	30
0501046948	MULTIPLIER	31
0531053970	FRAME SEMI LEFT SIDE MOUNTED	32
0531053078	CENTRAL CURRENT PROTECTION	33

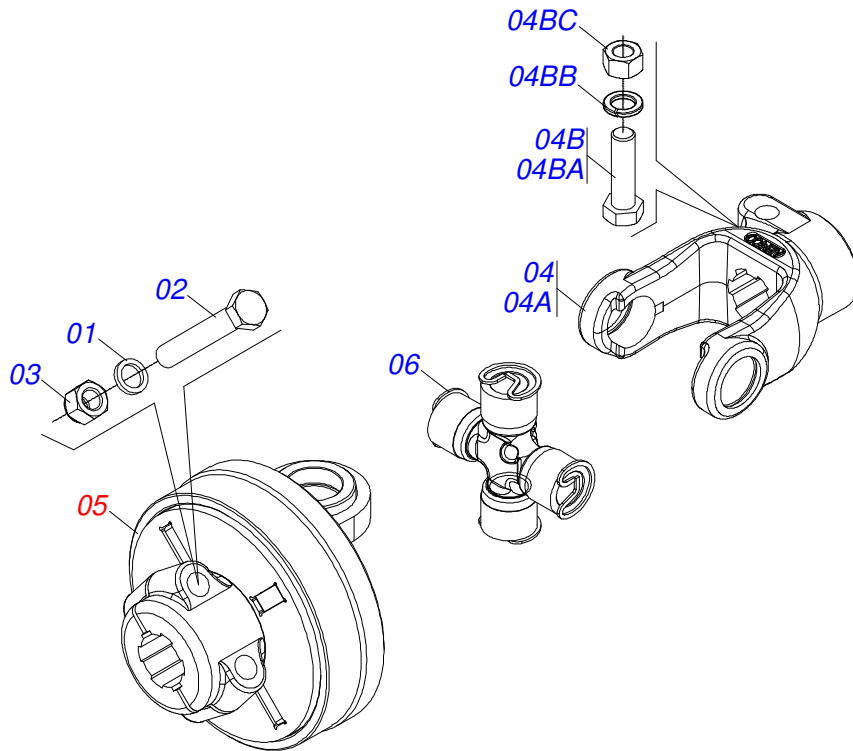
Item	Code	Description	See page	QT
32	0531042363	ELASTIC COUPLING JOINT WITH TERMINAL 1.3/8 6E	4	02
33	0501211001	PROTECTION COVER		01
34	0531041648	SUPPORT COVER PROTECTION CARDAN	6	02
35	0501211002	COUPLING SHAFT		04
36	0531060688	FRENCH HAND		01
37	0531053076	REAR CHAIN PROTECTION SIDE CHASSIS	7	02
38	0531053077	FRONT CHAIN PROTECTION SIDE CHASSIS	8	02
39	0531053078	CENTRAL CURRENT PROTECTION	33	02
40	0501111011	DISTRIBUTOR PROTECTION BASE		01
41	0531041649	RIGHT CARRYING WHEELS ASSEMBLY	9	01
42	0531041650	LEFT CARRYING WHEELS ASSEMBLY	10	01
43	0531053967	FRAME SEMI RIGHT SIDE MOUNTED	12	01
44	0531053968	FRAME SEMI LEFT SIDE MOUNTED	13	01
45	0531054377	COMPLETE CENTRAL FRAME WITH DISTRIBUTOR	14	01
46	0531053079	MANUAL CANISTER ASSY	15	01
47	0521058151	FRONT WHEEL RIGHT 202 X 100	16	02
48	0521058152	LEFT FRONT WHEEL	17	02
49	0591014147	SIDE SUPPORT GUIDE SLEEVE		02
50	0531041653	SUPPORT COVER PROTECTION COUPLING WITH RIVET	19	04
51	0501110998	CARDAN TOP PROTECTION COVER		02
52	0591012025	ACCESS COVER		02
53	0581019983	SCREW RACK 3/4 GR		06
54	0521054328	AXLE 27,80 X EC 130 ASSY	20	02
55	0521054135	AXLE 25,00 X EC 130 ASSY	21	01
56	0581012546	LUBRICATION AXIS TRANSMISSION		03
57	0581011777	BODY LOWER PROTECTION COAT		02
58	0501010104	FLAT WASHER 45 X 20 X 4		01
59	0501110186	OIL SMALLER LEVEL INDICATOR		02
60	0501066446	DRAWBAR		01



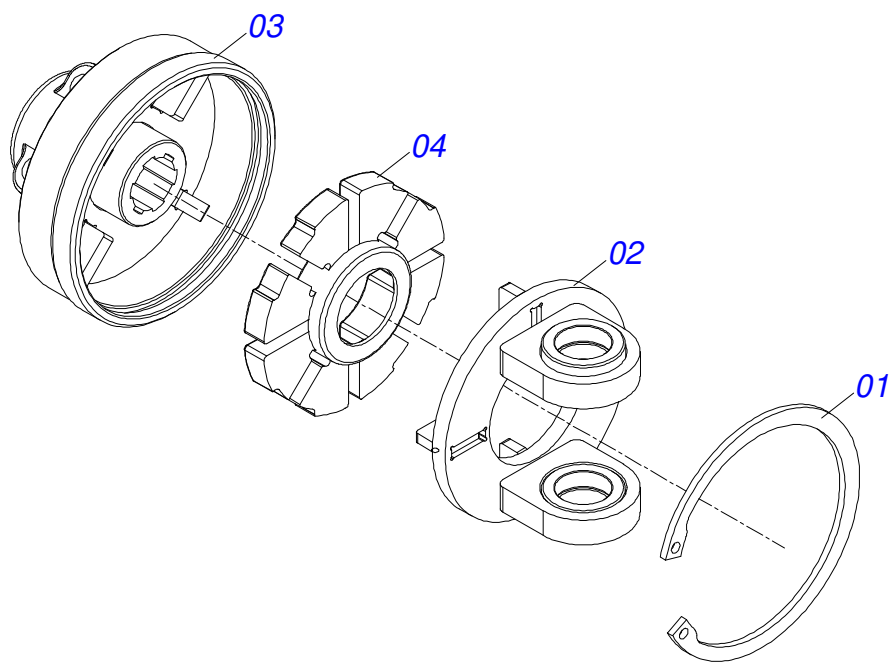
Item	Code	Description	See page	QT
01	0501051715	UNIVERSAL JOINT		01
02	0501050265	UNIVERSAL JOINT		01
03	0501050333	1-40 TERMINAL WITH HITCH		01
04	0502010565	2-40 TERMINAL WITH SH 1.5"/1.5"		01
05	0503012069	ADAPTER FOR BUSHING PROTECT		01
06	0501017429	31" X 1.5" SQUARE SLEEVE		01
07	0503010836	CARDAN CROSSPIECE		02
08	0503011069	0.4" X 2.8" SPRING PIN		01
09	0503010510	0.2" X 2.6" SPRING PIN		01
10	0501051716	UNIVERSAL JOINT WITH SHAFT		01
11	0501050466	UNIVERSAL JOINT WITH CROSSPIECE		01
12	0501043660	FRICITION 90 KG/M	3	01
13	0502010566	3-40 TERMINAL WITH SH 1.2"/1.2"		01
14	0503012070	ADAPTER FOR AXLE PROTECTION		01
15	0501017425	1.2" X 31.5" SQUARE SHAFT		01
16	0503010361	SPRING PIN		01
17	0503010756	0.2" X 2.4" SPRING PIN		01
18	0501051701	UNIVERSAL JOINT WITH SLEEVE/PROT		01
19	0501051702	UNIVERSAL JOINT WITH AXLE/PROT		01
20	0503012077	PROTECTION ASSY		01
21	0503012078	PROTECTION FOR UNIV JOINT AND SLEEV		01
22	0503012079	PROTECTION FOR UNIV JOINT AND AXLE		01
23	0503012023	CHAIN FOR PROTECTION		02
24	0502010563	1-40 STRIATED 1.3/8" TERMINAL		01
25	0521010638	13,70 X 78 HITCH PIN		01
26	0503030518	0.5"X1.0"X 0.1" COMPRESSION SPRING		01
27	0503010838	0.1" X 0.8" SPRING PIN		01



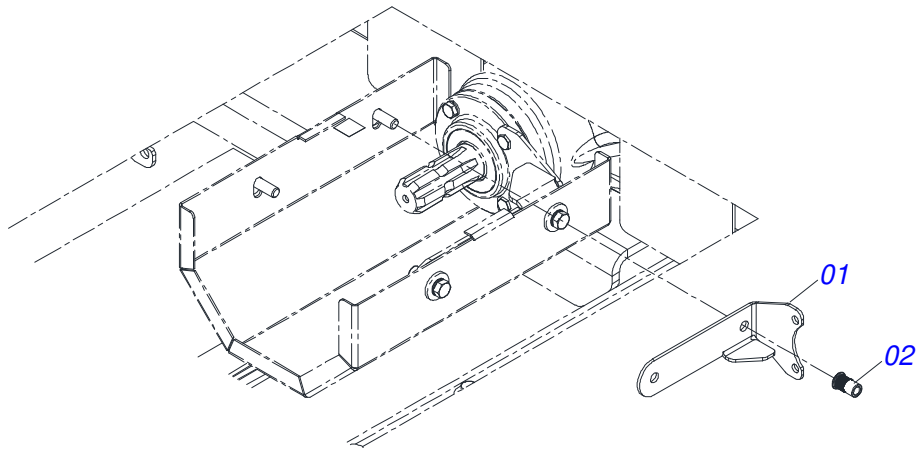
Item	Code	Description	See page	QT
01	0502011555	CENTRAL FLANGE		01
02	0503031474	INNER FRICTION DISC		01
03	0503031478	OUTER FRICTION DISC		01
04	0501110176	FLANGE		01
05	0521013562	REAR FLANGE FOR CLUTCH		01
06	0503030630	1.02"X1.3"X0.2" COMPRESSION SPRING		08
07	0503010752	1/2" X 3.1/2" BOLT		08
08	0503011336	1/2" HEX SELF ADJUSTING NUT		08
09	0503010741	1/2" X 2-3/4" BOLT		02
10	0503010019	1/2" SPRING WASHER		02
11	0503010060	1/2 UNC G.5 ZN HEX NUT		02



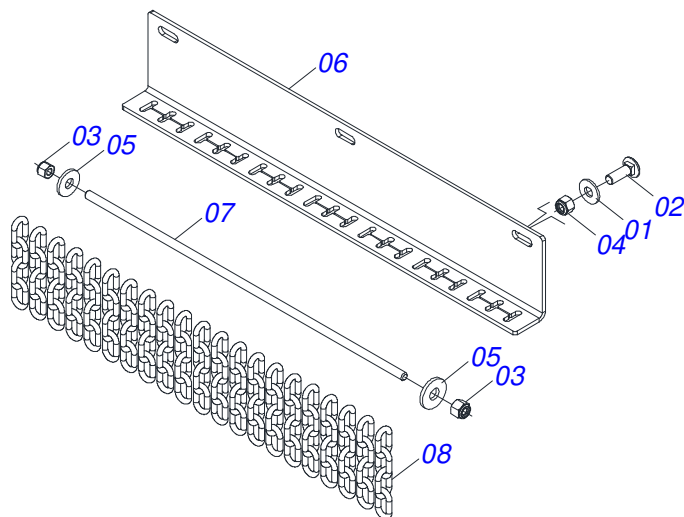
Item	Code	Description	See page	QT
01	0541012143	FLAT WASHER		02
02	0503010847	1/2" X 3.1/4" BOLT		02
03	0503010589	1/2" UNC SELF ADJUSTING NUT		02
04	0501052559	8-40 TERMINAL WITH SCREW		01
04A	0502011428	8-40 TERMINAL		01
04B	0501047756	1/2" X 3" SET PARTS		01
04BA	0503010479	BOLT		01
04BB	0503010019	1/2" SPRING WASHER		01
04BC	0503010060	1/2 UNC G.5 ZN HEX NUT		01
05	0531054841	ELASTIC COUPLING WITH TERMINAL 1.3/8 6E	5	01
06	0503012096	CROSSPIECE		01



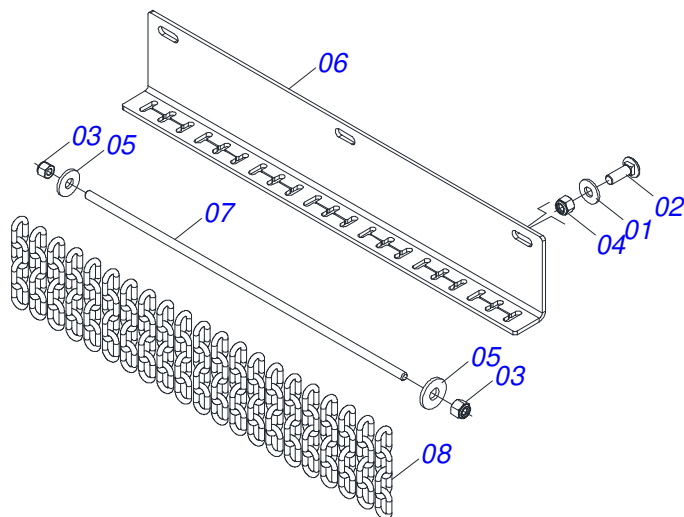
Item	Code	Description	See page	QT
01	0503010726	RETAINING RING FOR HOLE		01
02	0531063872	ELASTIC COUPLING BODY		01
03	0531063871	HOUSING ELASTIC COUPLING 1.3/8 6E		01
04	0503035763	COUPLING		01



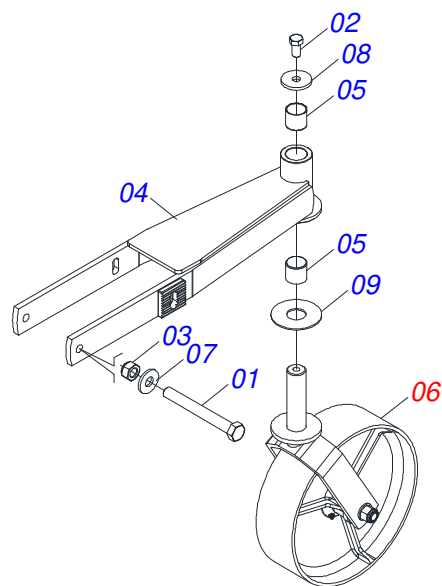
Item	Code	Description	See page	QT
01	0501212175	UPPER BODY CARDAN PROTECTION COVER		01
02	0503019413	THREAD SCREW INTERNAL		02



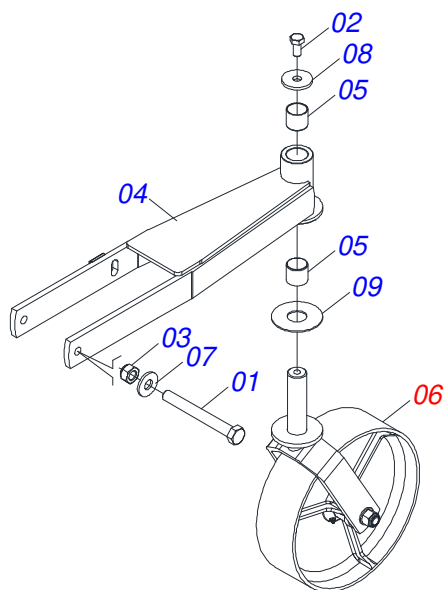
Item	Code	Description	See page	QT
01	0511017302	FLAT WASHER 13,50 X 32,50 X 3,0 ZN		03
02	0503014378	1/2" X 1-1/2" BOLT		03
03	0503013759	NUT		02
04	0503010589	1/2" UNC SELF ADJUSTING NUT		03
05	0501010984	10,50 X 27 X 3,00 FLAT WASHER		02
06	0501211004	REAR CHAIN PROTECTION BODY		01
07	0591014181	CURRENT PROTECTION BAR		01
08	0511011774	8,00 CHAIN 4 LINK		21



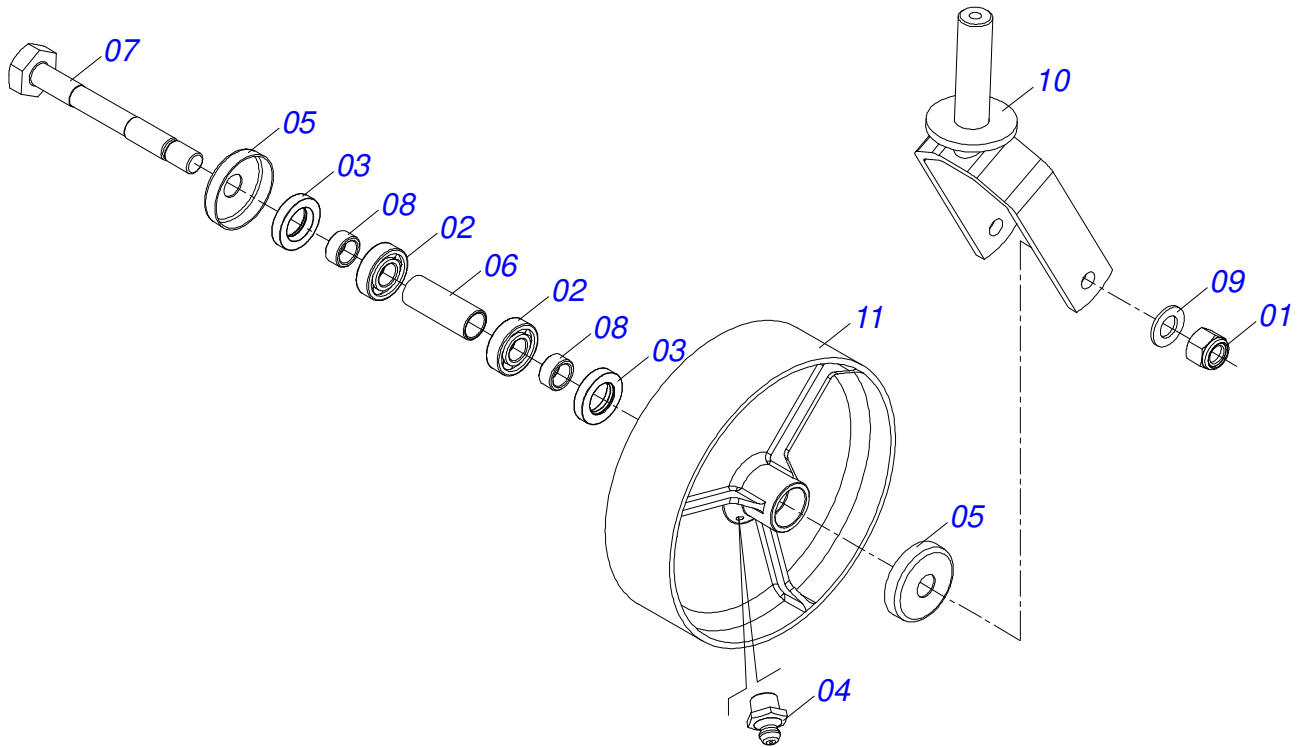
Item	Code	Description	See page	QT
01	0511017302	FLAT WASHER 13,50 X 32,50 X 3,0 ZN		03
02	0503014378	1/2" X 1-1/2" BOLT		03
03	0503013759	NUT		02
04	0503010589	1/2" UNC SELF ADJUSTING NUT		03
05	0501010984	10,50 X 27 X 3,00 FLAT WASHER		02
06	0501211005	CHAIN FRONT PROTECTION BODY		01
07	0591014181	CURRENT PROTECTION BAR		01
08	0511011774	8,00 CHAIN 4 LINK		21



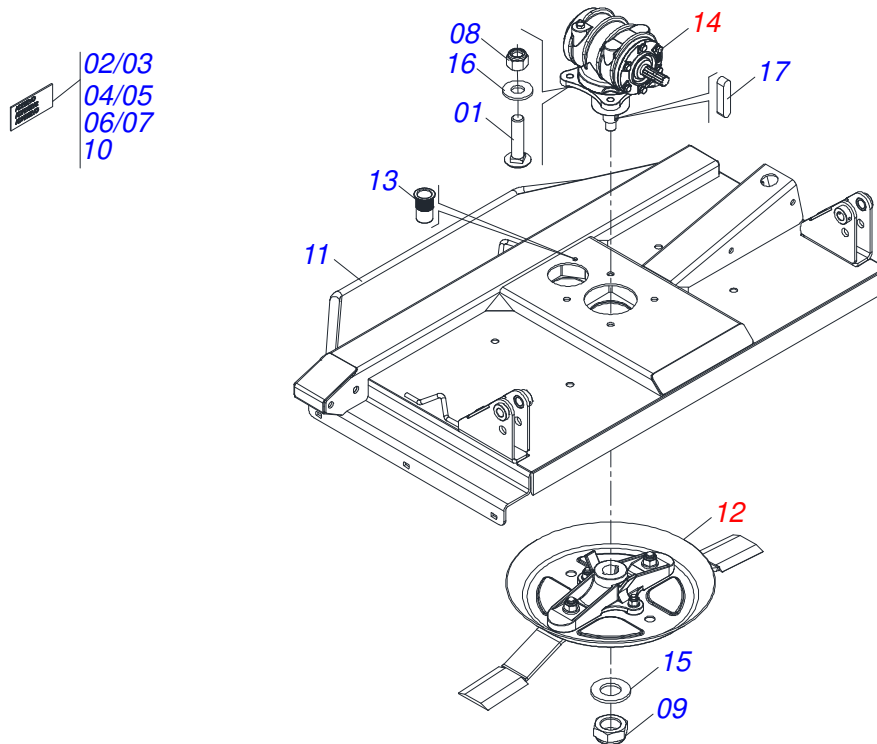
Item	Code	Description	See page	QT
01	0503012410	5/8" X 7.1/2" BOLT		01
02	0503010962	5/8" X 1-1/4" BOLT		01
03	0503013389	5/8" SELF LOCKING NUT		01
04	0531060691	RIGHT SUPPORT CARRYING WHEELS		01
05	0503035215	SELF LUBRICATING BUSHING		02
06	0501058460	CARRYING WHEELS	11	01
07	0501012140	FLAT WASHER 16,50 X 40 X 4,00 ZN		01
08	0511010721	FLAT WASHER		01
09	0511013239	FLAT WASHER		01
10	1882970002	GREASE		01Kg



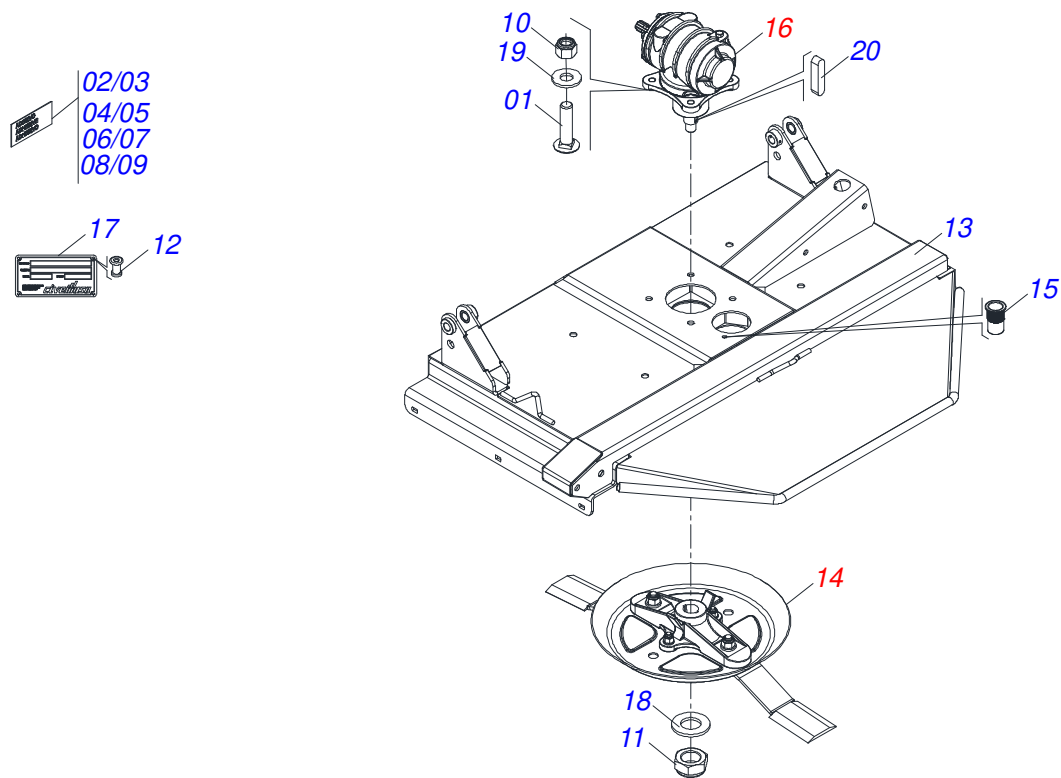
Item	Code	Description	See page	QT
01	0503012410	5/8" X 7.1/2" BOLT		01
02	0503010962	5/8" X 1-1/4" BOLT		01
03	0503013389	5/8" SELF LOCKING NUT		01
04	0531060692	LEFT SUPPORT CARRYING WHEELS		01
05	0503035215	SELF LUBRICATING BUSHING		02
06	0501058460	CARRYING WHEELS	11	01
07	0501012140	FLAT WASHER 16,50 X 40 X 4,00 ZN		01
08	0511010721	FLAT WASHER		01
09	0511013239	FLAT WASHER		01
10	1882970002	GREASE		01Kg



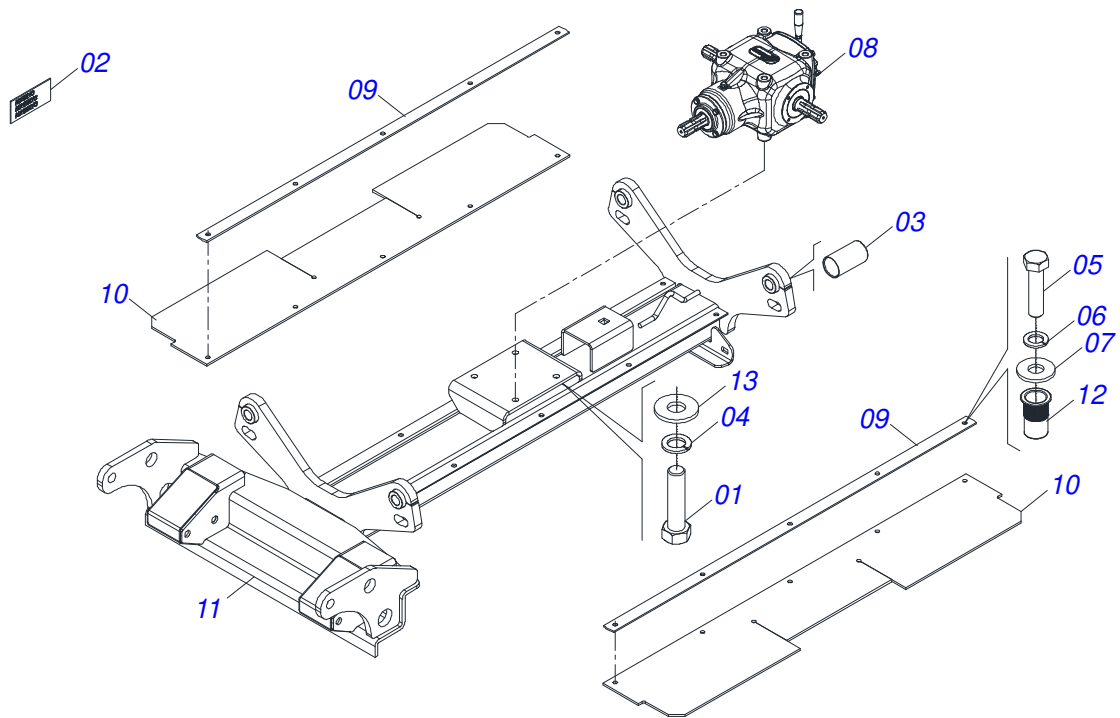
Item	Code	Description	See page	QT
01	0503011075	3/4 UNC LOCK NUT		01
02	0503010269	6204 BALL BEARING		02
03	0503010268	00262-B SEAL		02
04	0503010002	1800 GREASE FITTING		01
05	0511014254	DUST CLOAK		02
06	0521010460	0.9" X 1.1" X 2.9" SLEEVE		01
07	0501017143	WHEEL AXLE		01
08	0521010487	SPACER WASHER		02
09	0501010941	FLAT WASHER		01
10	0501065266	WHELL FORK		01
11	0502012519	350 X 100 WHEEL		01



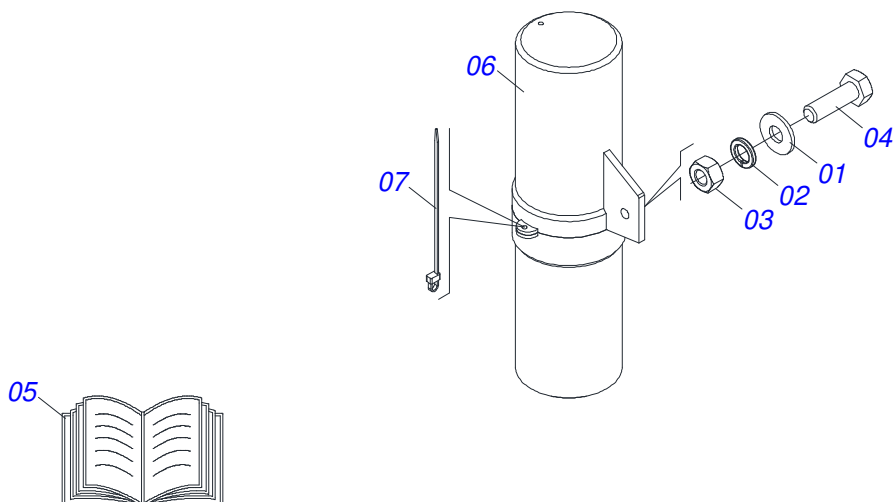
Item	Code	Description	See page	QT
01	0503017867	SCREW 3/4 UNC X 4.1/2 CAPQ G.7 ZN		04
02	0503034078	LIFTING POINTS DECAL		03
03	0503032534	IMPORTANT FRICTION ADJUSTMENT DECAL		01
04	0503031932	90 OIL RETIGHTEN LUBRICATION DECAL		01
05	0503031428	READ MANUAL DECAL		01
06	0503031427	ATTENTION POWER SPOT DECAL		01
07	0503031127	RESPIRO DECAL		01
08	0503011075	3/4 UNC LOCK NUT		04
09	0503010044	SELF LOCKING NUT 1.1/4 UNF G.5 ZN		01
10	0503035715	EMBLEM		01
11	0531060707	RIGHT SIDE FRAME		01
12	0531053082	CUTTERS SUPPORT		01
13	0503019413	THREAD SCREW INTERNAL		01
14	0501046948	MULTIPLIER	31	01
15	0501017779	FLAT WASHER 32 X 60 X 4,75		01
16	0501010322	20,50 X 46 X 4,00 ZN FLAT WASHER		04
17	0501010536	KEYWAY SQUARE		02



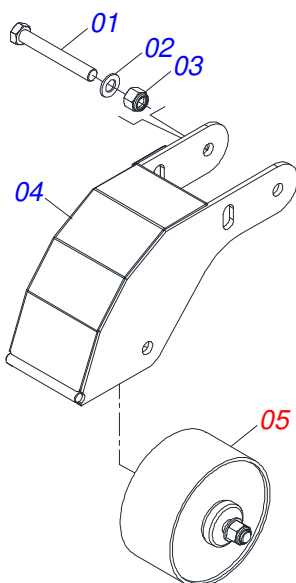
Item	Code	Description	See page	QT
01	0503017867	SCREW 3/4 UNC X 4.1/2 CAPQ G.7 ZN		04
02	0503033238	CIVEMASA LOGO DECAL		01
03	0503034078	LIFTING POINTS DECAL		03
04	0503032949	ATTENTION 3 LANGUAGES DECAL		01
05	0503032535	SIDE CARDAN DECAL		01
06	0503032534	IMPORTANT FRICTION ADJUSTMENT DECAL		01
07	0503032060	50 METERS DISTANCE DANGER DECAL		01
08	0503031930	DANGER ROTATING BLADES DECAL		01
09	0503031127	RESPIRO DECAL		01
10	0503011075	3/4 UNC LOCK NUT		04
11	0503010044	SELF LOCKING NUT 1.1/4 UNF G.5 ZN		01
12	0503010001	RIVET 3,2 X 5,5		04
13	0531063477	LEFT SIDE FRAME		01
14	0531053082	CUTTERS SUPPORT		01
15	0503019413	THREAD SCREW INTERNAL		01
16	0501046948	MULTIPLIER	31	01
17	0503034004	ALUMINUM IDENTIFICATION DECAL		01
18	0501017779	FLAT WASHER 32 X 60 X 4,75		01
19	0501010322	20,50 X 46 X 4,00 ZN FLAT WASHER		04
20	0501010536	KEYWAY SQUARE		02



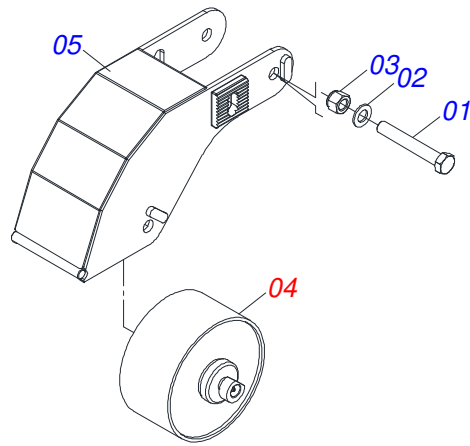
Item	Code	Description	See page	QT
01	0503011188	M16 X 2 X 50 BOLT	04	
02	0503034078	LIFTING POINTS DECAL	03	
03	0503019275	SLEEVE LUBRICATION SYSTEM	04	
04	0503011445	SPRING WASHER	04	
05	0503010751	C3/8" X 1.1/4" HEX BOLT G.5	10	
06	0503010025	3/8 SPRING WASHER	10	
07	0501010984	10,50 X 27 X 3,00 FLAT WASHER	10	
08	0503063554	TRANSMISSION BOX DISTRIBUTOR	01	
09	0501211014	CENTRAL PROTECTION CANVAS FIXING SCALE	02	
10	0503035616	CENTRAL PROTECTION RUBBER BLANKET	02	
11	0531060720	CENTRAL FRAME	01	
12	0503019413	THREAD SCREW INTERNAL	02	
13	0501011299	FLAT WASHER	04	



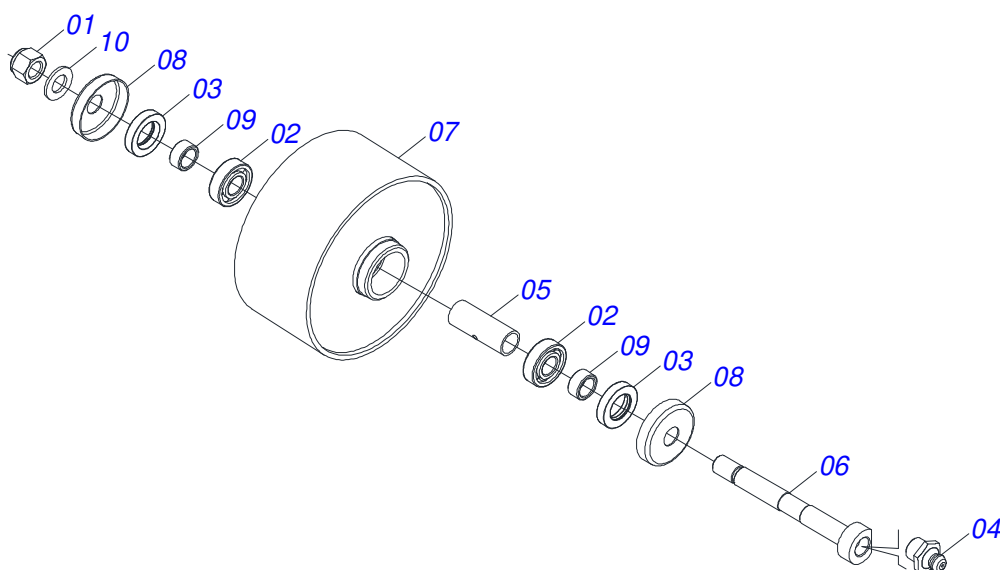
Item	Code	Description	See page	QT
01	0501010694	FLAT WASHER 32,50 X 75 X 4,75		01
02	0503010179	LOCK WASHER 5/16 ZN 1K01528		01
03	0503010337	NUT 5/16 UNC G.5 ZN		01
04	0503010363	BOLT 5/16 UNC X 1 C S G.2 ZN		01
05	0511034261	PLASTIC COVER WITH INSTRUCTIONS MANUAL		01
06	0503060100	SUPPORT INSTRUCTION MANUAL		01
07	0503010267	NYLON CLAMP 3,60 X 1,3 X 155 MM		01



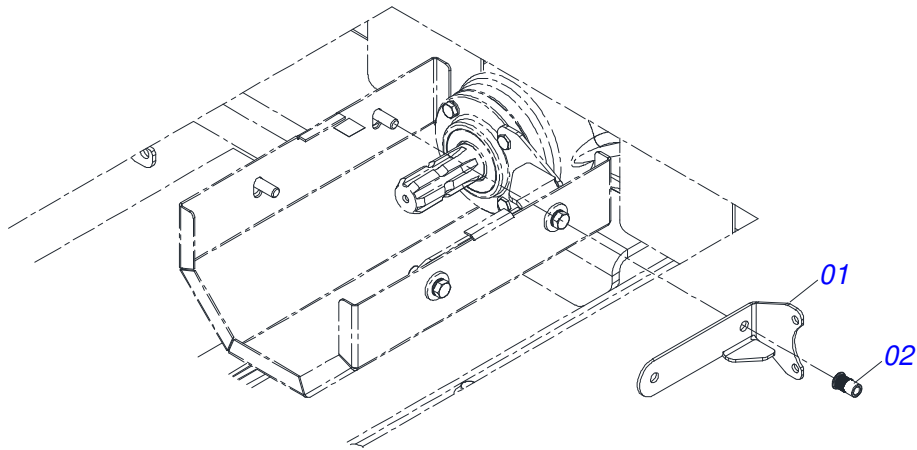
Item	Code	Description	See page	QT
01	0501010164	3/4" X 7 BOLT		01
02	0501010941	FLAT WASHER		01
03	0503011075	3/4 UNC LOCK NUT		01
04	0531060996	RIGHT FRONT WHEEL SUPPORT		01
05	0521058153	WHELL LEFT	18	01
06	1882970002	GREASE		01Kg



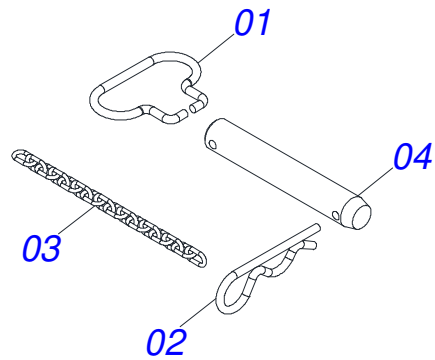
Item	Code	Description	See page	QT
01	0501010164	3/4" X 7 BOLT		01
02	0501010941	FLAT WASHER		01
03	0503011075	3/4 UNC LOCK NUT		01
04	0521058153	WHELL LEFT	18	01
05	0531060997	LEFT FRONT WHEEL SUPPORT		01
06	1882970002	GREASE		01Kg



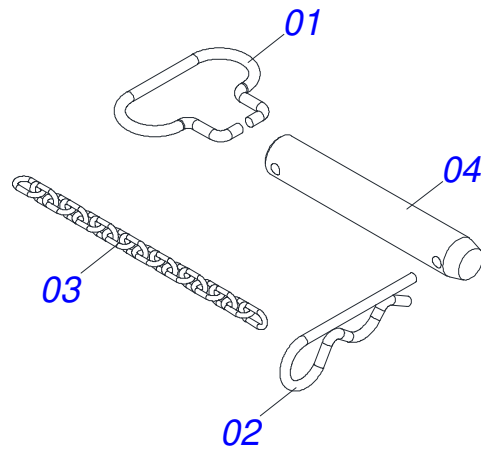
Item	Code	Description	See page	QT
01	0503011075	3/4 UNC LOCK NUT		01
02	0503010269	6204 BALL BEARING		02
03	0503010268	00262-B SEAL		02
04	0503010002	1800 GREASE FITTING		01
05	0591014101	22 X 27 X 71 BUSHING		01
06	0591014102	REAR WHELL AXLE		01
07	0531060998	REAR WHEEL 202 X 100		01
08	0511014254	DUST CLOAK		02
09	0521010487	SPACER WASHER		02
10	0501010941	FLAT WASHER		01



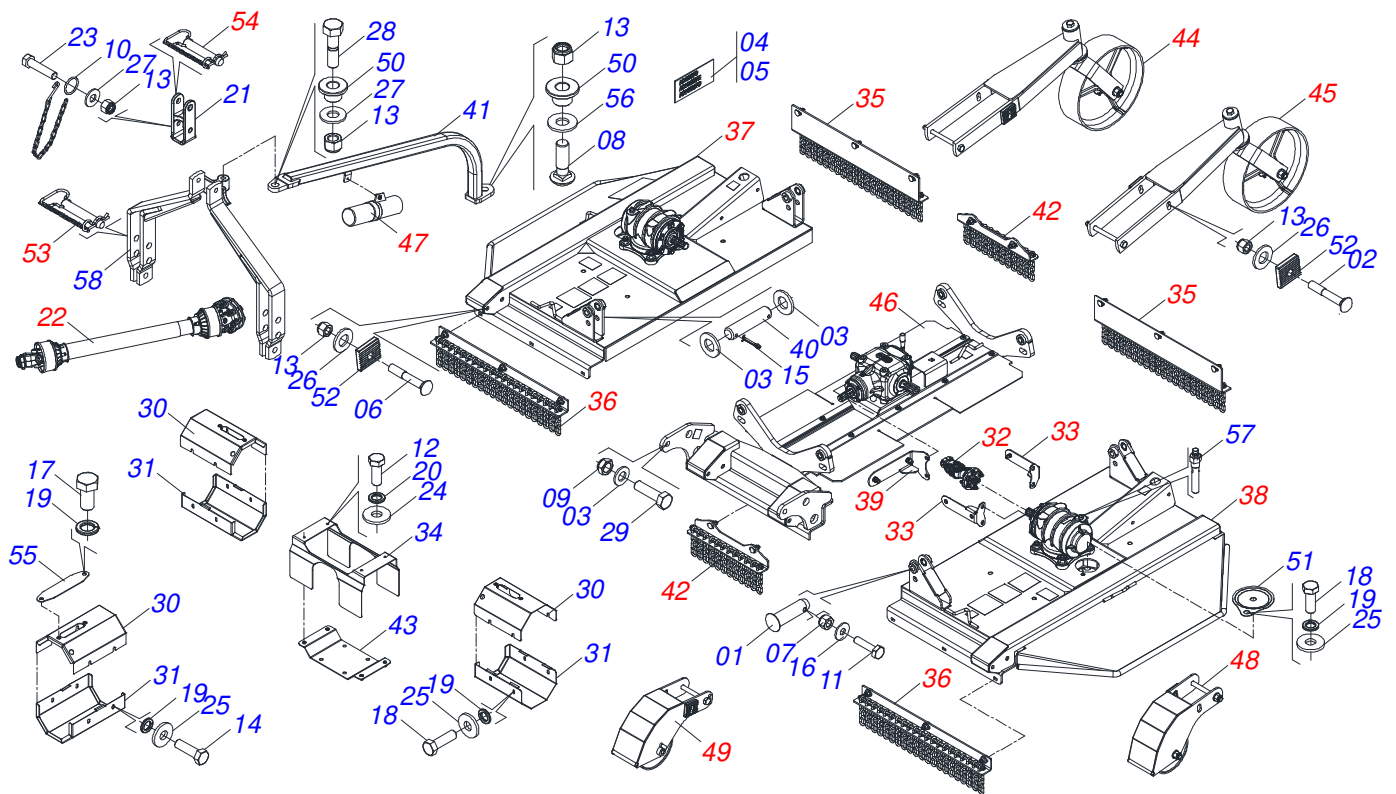
Item	Code	Description	See page	QT
01	0501213440	SUPPORT BODY PROTECTION COVER		01
02	0503019413	THREAD SCREW INTERNAL		02



Item	Code	Description	See page	QT
01	0503034755	HANDLE PIN HITCH		01
02	0503031035	HITCH PIN CLIP		01
03	0503034756	3,00 X 16 CHAIN		01
04	0581018636	AXIS 27,80 X 155 X EC 130 FR 7,14		01

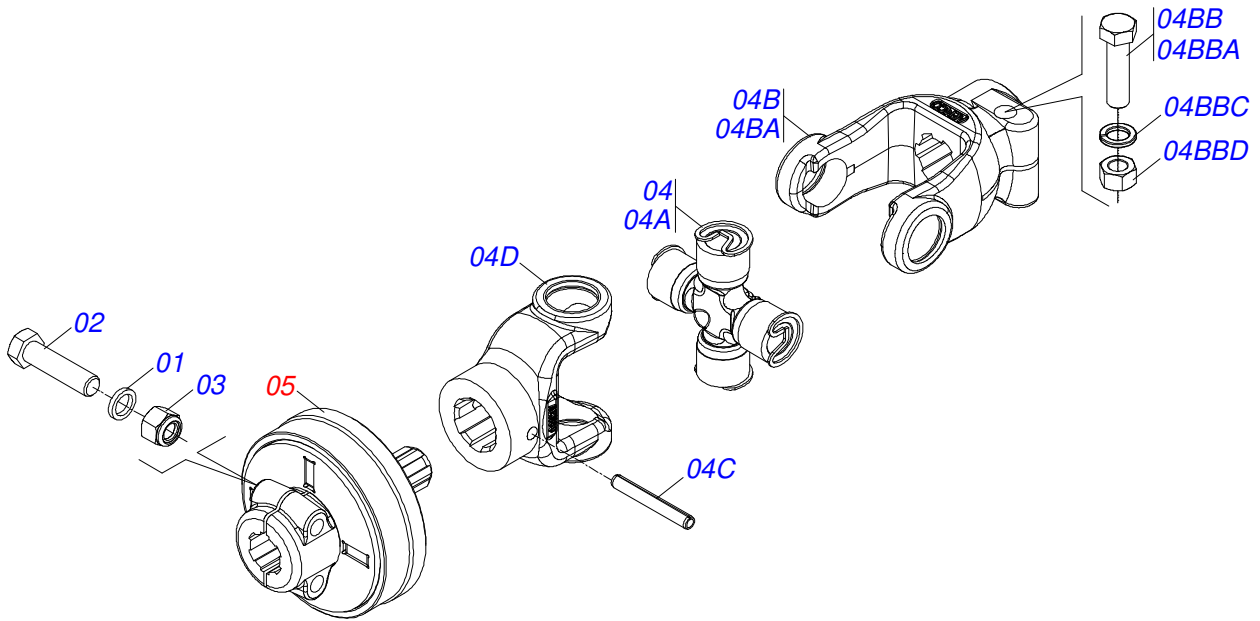


Item	Code	Description	See page	QT
01	0503034755	HANDLE PIN HITCH		01
02	0503031035	HITCH PIN CLIP		01
03	0503034756	3,00 X 16 CHAIN		01
04	0581018637	AXIS 25 X 155 X EC 130 FR 7,14		01

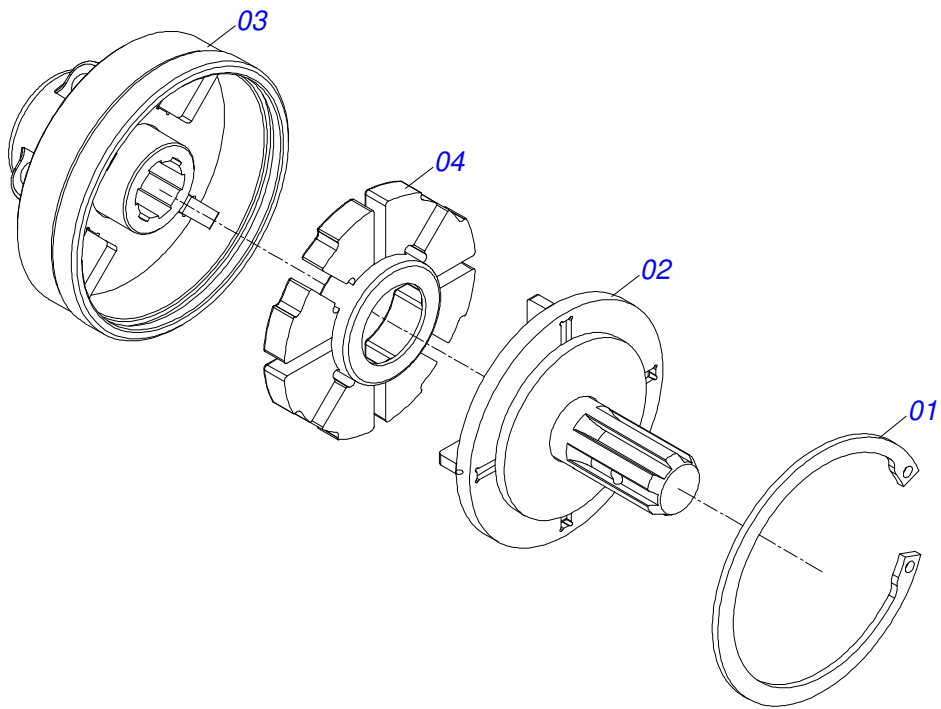


Item	Code	Description	See page	QT
01	0521010578	COUPLING SHAFT		04
02	0513010606	3/4 10 UNC 2A X 9 BOLT		02
03	0511015994	FLAT WASHER		10
04	0503034247	LUBRICATION POINT DECAL		03
05	0503031087	AUTO CONTROL APPROVED DECAL		01
06	0503019835	3/4 -10 UNC - 2A X 8BOLT		04
07	0503014876	NUT PARLOCK 1/4"		04
08	0503014249	3/4" X 2-1/2" BOLT		01
09	0503014182	SELF-ADJUSTING NUT		02
10	0503011981	17.7" CHAIN WITH HOOK/LINK		01
11	0503011194	BOLT 1/4 UNC X 2.1/2 CS G.2 ZN		04
12	0503011188	M16 X 2 X 50 BOLT		04
13	0503011075	3/4 UNC LOCK NUT		09
14	0503010751	C3/8" X 1.1/4" HEX BOLT G.5		04
15	0503010577	3/16" X 1.1/4" SPLIT PIN		08
16	0503010305	6,50 X 17 X 1,50 ZN FLAT WASHER		04
17	0503010256	3/8" X 3/4" BOLT		06
18	0503010237	3/8" X 1" BOLT		14
19	0503010025	3/8 SPRING WASHER		24
20	0503010027	5/8 SPRING WASHER		04
21	0502040922	DRAWBAR SUPPLEMENT		01
22	0501047949	DRIVE SHAFT	2	01
23	0501011545	3/4" X 6-1/2" BOLT		01
24	0501011299	FLAT WASHER		04
25	0501010984	10,50 X 27 X 3,00 FLAT WASHER		18
26	0501010941	FLAT WASHER		06
27	0501010322	20,50 X 46 X 4,00 ZN FLAT WASHER		02
28	0501010216	3/4 UNC X 4.1/2 C S G.5 ZN BOLT		01
29	0501010171	BOLT 1 UNC X 3.1/2 C S G.5		02
30	0501110973	PROTECTION COVER		03
31	0501210995	BODY LOWER PROTECTION COAT		03

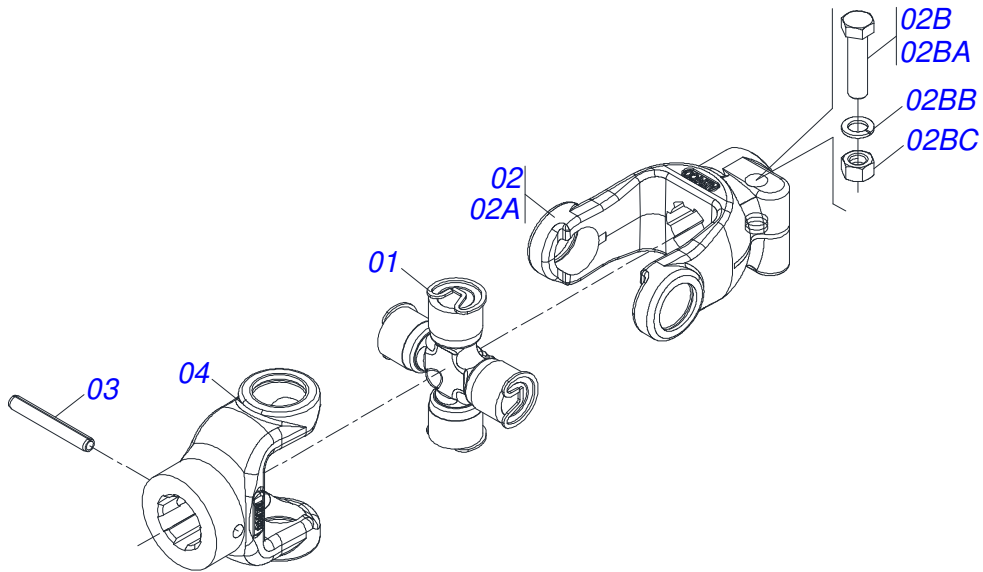
Item	Code	Description	See page	QT
32	0531042362	ELASTIC COUPLING GASKET WITH SHAFT 1.3/8 E6	23	02
33	0531041646	LARGER SUPPORT COVER PROTECTION	26	04
34	0501211001	PROTECTION COVER		01
35	0531053071	REAR CHAIN PROTECTION SIDE CHASSIS	27	02
36	0531053072	FRONT CHAIN ??PROTECTION SIDE CHASSIS	28	02
37	0531053969	FRAME SEMI RIGHT SIDE MOUNTED	29	01
38	0531053970	FRAME SEMI LEFT SIDE MOUNTED	32	01
39	0531041648	SUPPORT COVER PROTECTION CARDAN	6	02
40	0501211002	COUPLING SHAFT		04
41	0531060688	FRENCH HAND		01
42	0531053078	CENTRAL CURRENT PROTECTION	33	02
43	0501111011	DISTRIBUTOR PROTECTION BASE		01
44	0531041649	RIGHT CARRYING WHEELS ASSEMBLY	9	01
45	0531041650	LEFT CARRYING WHEELS ASSEMBLY	10	01
46	0531054377	COMPLETE CENTRAL FRAME WITH DISTRIBUTOR	14	01
47	0531053079	MANUAL CANISTER ASSY	15	01
48	0521058151	FRONT WHEEL RIGHT 202 X 100	16	02
49	0521058152	LEFT FRONT WHEEL	17	02
50	0591014147	SIDE SUPPORT GUIDE SLEEVE		02
51	0591012025	ACCESS COVER		02
52	0581019983	SCREW RACK 3/4 GR		06
53	0521054328	AXLE 27,80 X EC 130 ASSY	20	02
54	0521054135	AXLE 25,00 X EC 130 ASSY	21	01
55	0581012546	LUBRICATION AXIS TRANSMISSION		03
56	0501010104	FLAT WASHER 45 X 20 X 4		01
57	0501110186	OIL SMALLER LEVEL INDICATOR		02
58	0501066446	DRAWBAR		01



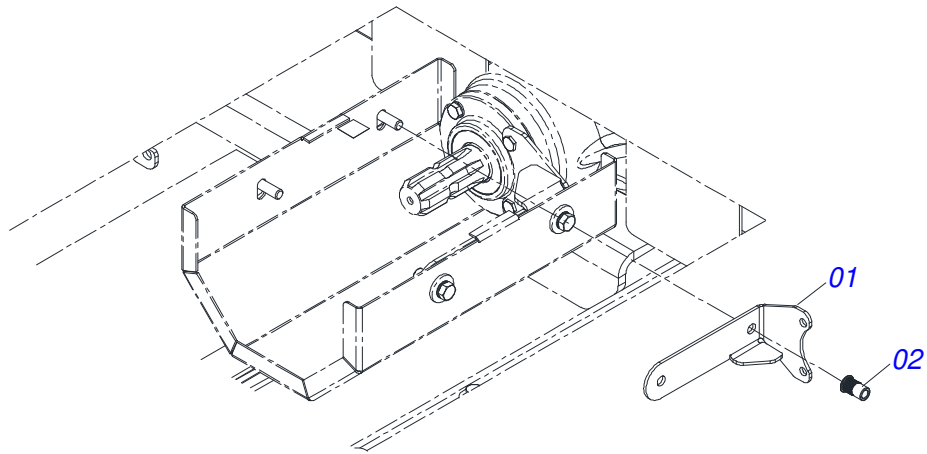
Item	Code	Description	See page	QT
01	0541012143	FLAT WASHER		02
02	0503010847	1/2" X 3.1/4" BOLT		02
03	0503010589	1/2" UNC SELF ADJUSTING NUT		02
04	0531054839	UNIVERSAL JUNCTION T8-CC292 / CC266		01
04A	0503012096	CROSSPIECE		01
04B	0501052559	8-40 TERMINAL WITH SCREW		01
04BA	0502011428	8-40 TERMINAL		01
04BB	0501047756	1/2" X 3" SET PARTS		01
04BBA	0503010479	BOLT		01
04BBB	0503010019	1/2" SPRING WASHER		01
04BBC	0503010060	1/2 UNC G.5 ZN HEX NUT		01
04C	0503011877	0.3" X 2.4" SPRING PIN		01
04D	0503013131	CC266 TERMINAL		01
05	0531054840	ELASTIC COUPLING WITH SHAFT 1.3/8 6E	24	01



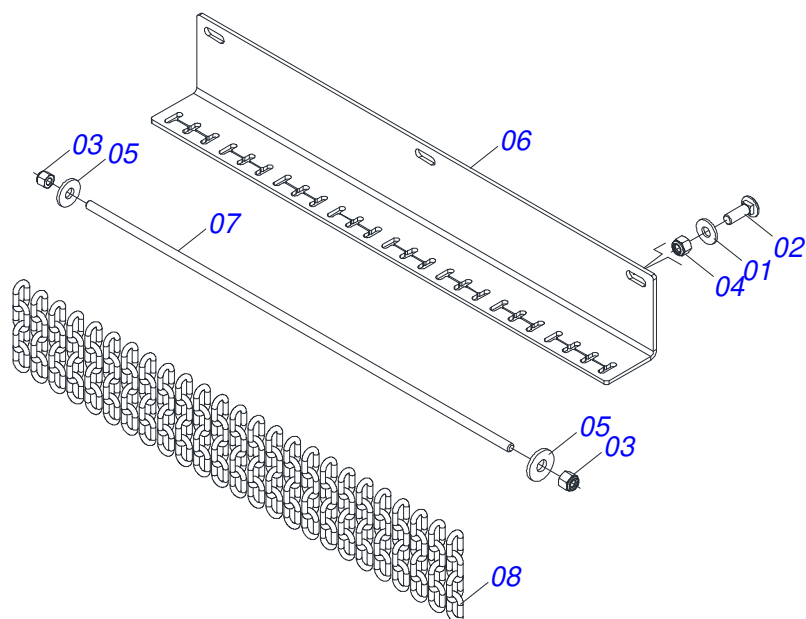
Item	Code	Description	See page	QT
01	0503010726	RETAINING RING FOR HOLE		01
02	0531063870	COUPLING FLANGE WITH SHAFT 1.3/8 6E		01
03	0531063871	HOUSING ELASTIC COUPLING 1.3/8 6E		01
04	0503035763	COUPLING		01



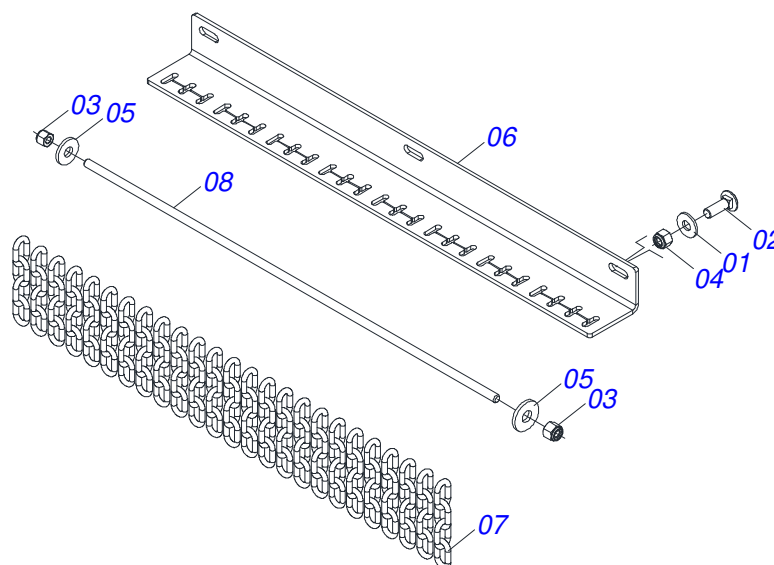
Item	Code	Description	See page	QT
01	0503012096	CROSSPIECE		01
02	0501052559	8-40 TERMINAL WITH SCREW		01
02A	0502011428	8-40 TERMINAL		01
02B	0501047756	1/2" X 3" SET PARTS		01
02BA	0503010479	BOLT		01
02BB	0503010019	1/2" SPRING WASHER		01
02BC	0503010060	1/2 UNC G.5 ZN HEX NUT		01
03	0503011877	0.3" X 2.4" SPRING PIN		01
04	0503013131	CC266 TERMINAL		01



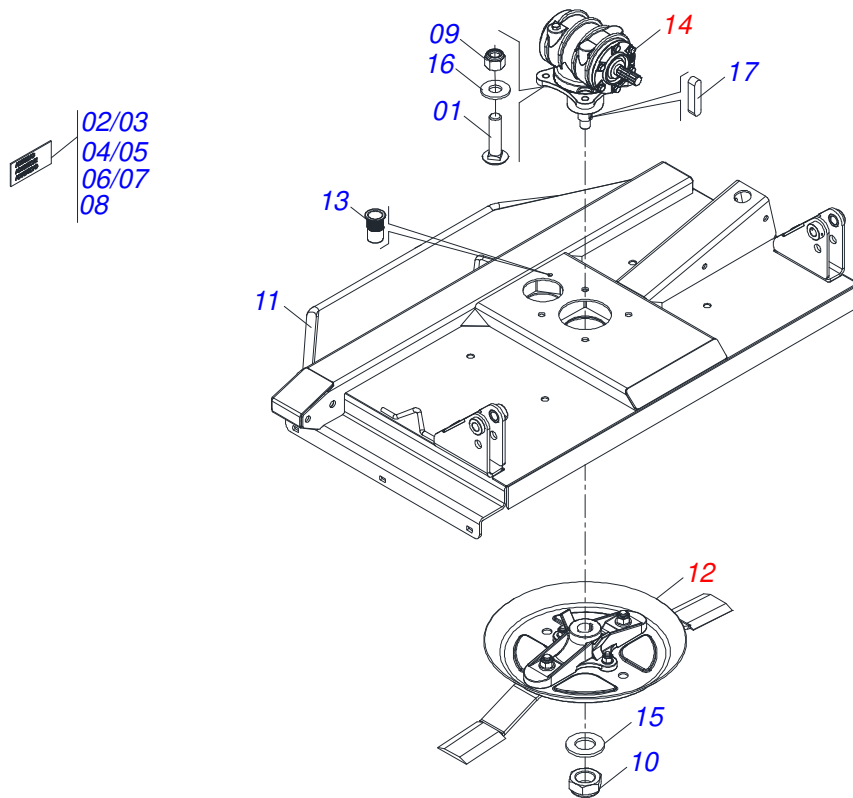
Item	Code	Description	See page	QT
01	0511071850	UPPER BODY BIGGER COVER PROTECTION COUPLING		01
02	0503019413	THREAD SCREW INTERNAL		02



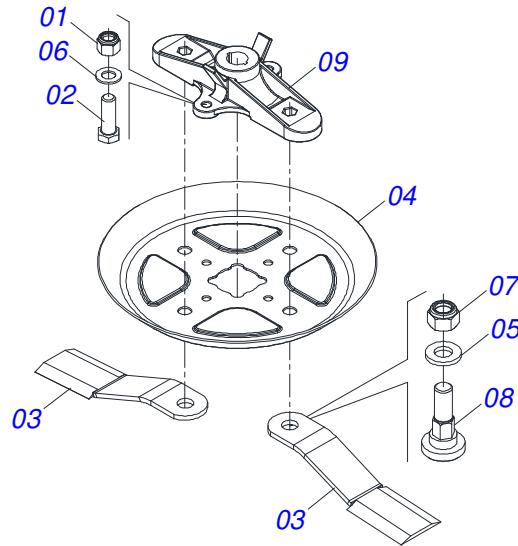
Item	Code	Description	See page	QT
01	0511017302	FLAT WASHER 13,50 X 32,50 X 3,0 ZN		03
02	0503014378	1/2" X 1-1/2" BOLT		03
03	0503013759	NUT		02
04	0503010589	1/2" UNC SELF ADJUSTING NUT		03
05	0501010984	10,50 X 27 X 3,00 FLAT WASHER		02
06	0501210988	BODY PROTECTION REAR CHAIN ??SIDE FRAME		01
07	0581013927	ROD CURRENT PROTECTION (910)		01
08	0511011774	8,00 CHAIN 4 LINK		25



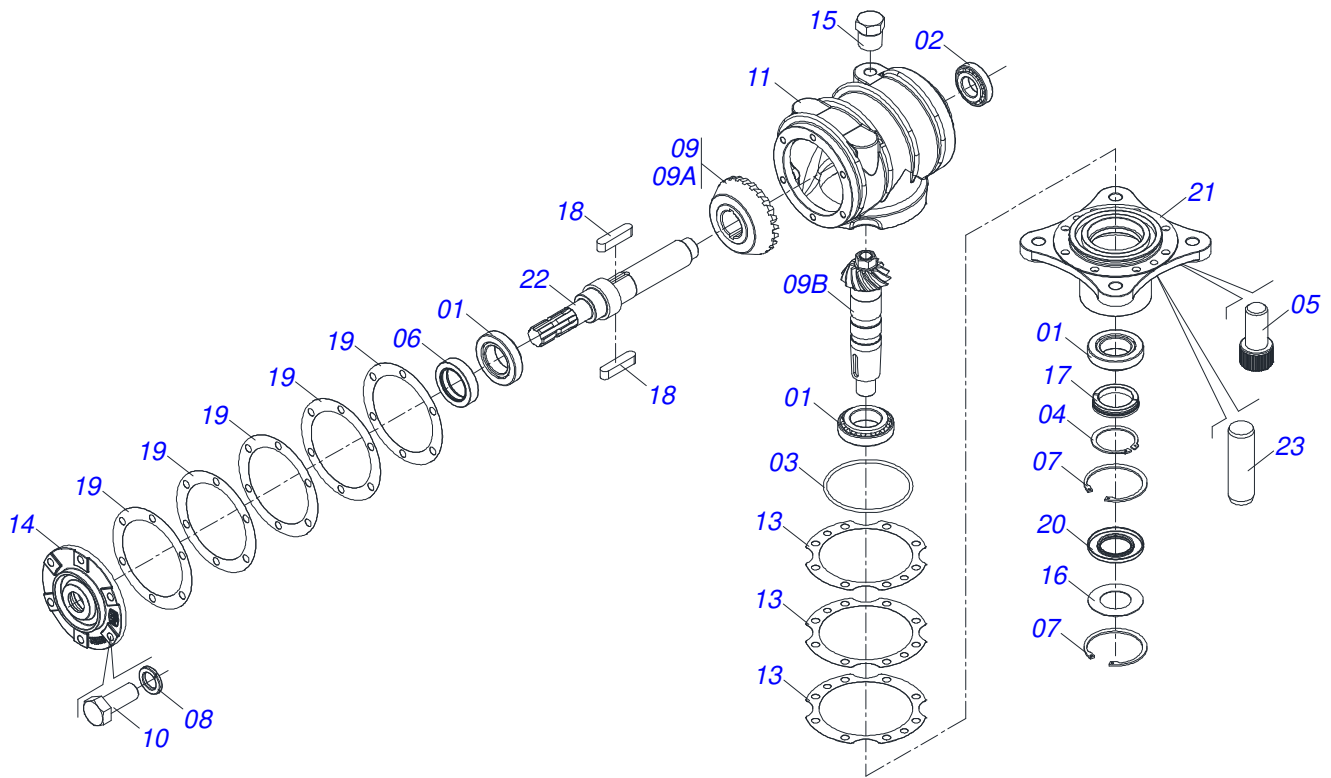
Item	Code	Description	See page	QT
01	0511017302	FLAT WASHER 13,50 X 32,50 X 3,0 ZN		03
02	0503014378	1/2" X 1-1/2" BOLT		03
03	0503013759	NUT		02
04	0503010589	1/2" UNC SELF ADJUSTING NUT		03
05	0501010984	10,50 X 27 X 3,00 FLAT WASHER		02
06	0501210989	BODY PROTECTION FRONT CHAIN ??SIDE FRAME		01
07	0511011774	8,00 CHAIN 4 LINK		25
08	0581013927	ROD CURRENT PROTECTION (910)		01



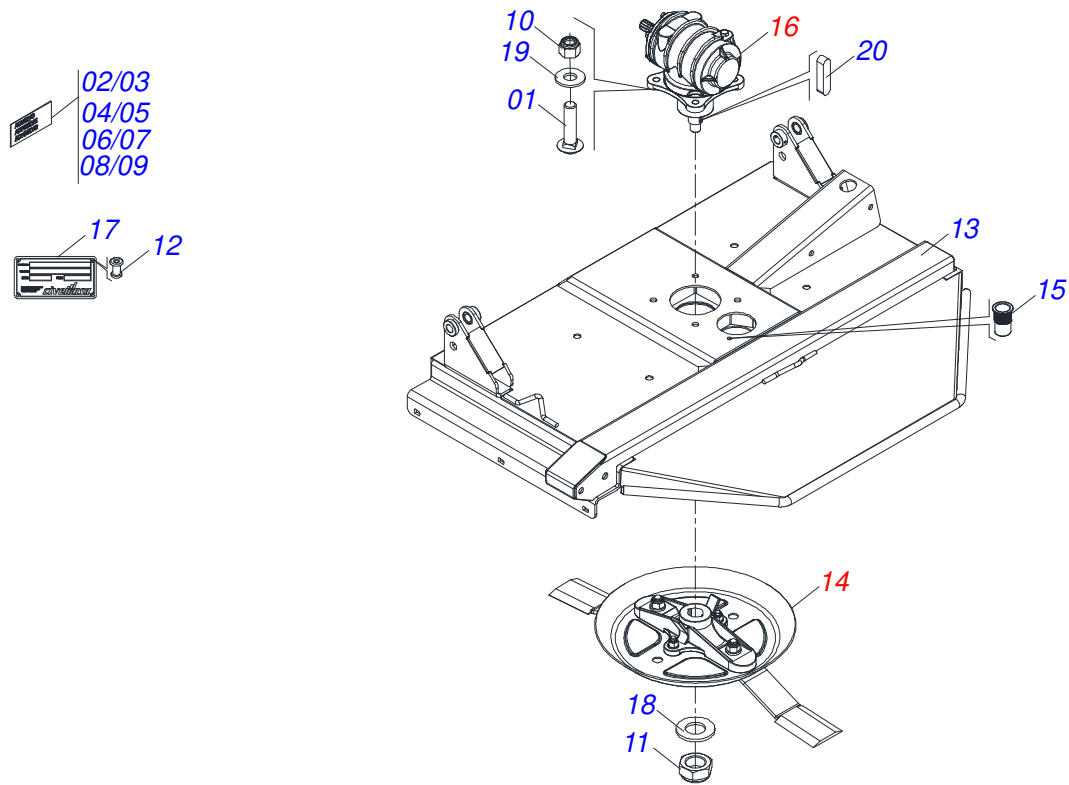
Item	Code	Description	See page	QT
01	0503017867	SCREW 3/4 UNC X 4.1/2 CAPQ G.7 ZN		04
02	0503034078	LIFTING POINTS DECAL		03
03	0503032534	IMPORTANT FRICTION ADJUSTMENT DECAL		01
04	0503031932	90 OIL RETIGHTEN LUBRICATION DECAL		01
05	0503035716	EMBLEM		01
06	0503031428	READ MANUAL DECAL		01
07	0503031427	ATTENTION POWER SPOT DECAL		01
08	0503031127	RESPIRO DECAL		01
09	0503011075	3/4 UNC LOCK NUT		04
10	0503010044	SELF LOCKING NUT 1.1/4 UNF G.5 ZN		01
11	0531060675	RIGHT SIDE FRAME		01
12	0531053075	CUTTERS SUPPORT	30	01
13	0503019413	THREAD SCREW INTERNAL		01
14	0501046948	MULTIPLIER	31	01
15	0501017779	FLAT WASHER 32 X 60 X 4,75		01
16	0501010322	20,50 X 46 X 4,00 ZN FLAT WASHER		04
17	0501010536	KEYWAY SQUARE		02



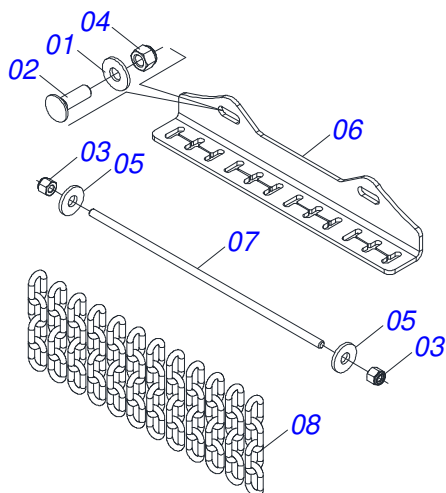
Item	Code	Description	See page	QT
01	0503011075	3/4 UNC LOCK NUT		02
02	0501018059	3/4" X 2-1/4" BOLT		02
03	0622400044	BRUSHCUTTER		02
04	0591010130	SUPPORT DEFLECTOR (340)		01
05	0501016545	FLAT WASHER		02
06	0501010941	FLAT WASHER		02
07	0503010063	1" SELF-ALIGNING NUT		02
08	0541013328	FASTENER		02
09	0502012275	ROTARY SUPPORT 340		01



Item	Code	Description	See page	QT
01	0503010006	32210 ROLLER BEARING		03
02	0503010037	30207 ROLLER BEARING		01
03	0503010286	2-355 N 3006-9B O'RING		01
04	0503010396	501060 CLAMPING RING (FOR AXLE)		01
05	0503010562	1/2" X 1" BOLT		08
06	0503011171	00912-BRG SEAL		01
07	0503011190	SEAL RING		02
08	0503011440	SPRING WASHER		06
09	0503060211	CROWN PINION SET		01
09A	0503050069	25Z CONICAL GEAR		01
09B	0503061048	PINION		01
10	0503010395	1/2" X 1-1/4" BOLT		06
11	0502010984	LEFT MULTIPLIER BOX		01
12	3402301247	MINERAL OIL SAE 140		2,5Lts
13	0503030785	7.9" X 5.9" X 0.008" JOINT		03
14	0502011152	SMALLER COVER		01
15	0503031604	1/2" BSP PLUG		01
16	0521018064	FLAT WASHER		01
17	0511010142	LOCK RING		01
18	0501010536	KEYWAY SQUARE		02
19	0503030783	7.1" X 5.3" X 0.008" JOINT		05
20	0503011047	5089 SEAL		01
21	0502011393	LOWER HUB		01
22	0503050067	UPPER AXLE		01
23	0503017877	PIN GUIDE		02



Item	Code	Description	See page	QT
01	0503017867	SCREW 3/4 UNC X 4.1/2 CAPQ G.7 ZN		04
02	0503033238	CIVEMASA LOGO DECAL		01
03	0503034078	LIFTING POINTS DECAL		03
04	0503032949	ATTENTION 3 LANGUAGES DECAL		01
05	0503032535	SIDE CARDAN DECAL		01
06	0503032534	IMPORTANT FRICTION ADJUSTMENT DECAL		01
07	0503032060	50 METERS DISTANCE DANGER DECAL		01
08	0503031930	DANGER ROTATING BLADES DECAL		01
09	0503031127	RESPIRO DECAL		01
10	0503011075	3/4 UNC LOCK NUT		04
11	0503010044	SELF LOCKING NUT 1.1/4 UNF G.5 ZN		01
12	0503010001	RIVET 3,2 X 5,5		04
13	0531063478	LEFT SIDE FRAME		01
14	0531053075	CUTTERS SUPPORT	30	01
15	0503019413	THREAD SCREW INTERNAL		01
16	0501046948	MULTIPLIER	31	01
17	0503034004	ALUMINUM IDENTIFICATION DECAL		01
18	0501017779	FLAT WASHER 32 X 60 X 4,75		01
19	0501010322	20,50 X 46 X 4,00 ZN FLAT WASHER		04
20	0501010536	KEYWAY SQUARE		02



Item	Code	Description	See page	QT
01	0511017302	FLAT WASHER 13,50 X 32,50 X 3,0 ZN		02
02	0503014378	1/2" X 1-1/2" BOLT		02
03	0503013759	NUT		02
04	0503010589	1/2" UNC SELF ADJUSTING NUT		02
05	0501010984	10,50 X 27 X 3,00 FLAT WASHER		02
06	0501211006	BODY CENTRAL CHAIN PROTECTION		01
07	0501211007	CENTRAL CURRENT PROTECTION ROD		01
08	0511011774	8,00 CHAIN 4 LINK		12



civemasa

Technical Publications | Elaboration and Revision

LORENA ROCHA ALVES

www.civemasa.com.br

