

**LIME AND FERTILIZER SPREADER**

## **DFCO 2.5 MC WITH TIRE 11L15**

**Code:** 0501093235

**Series:** S-0302

**Revision:** 00

**Revision Date:** MARÇO/2022

# **PARTS CATALOGUE**


***CIVEMASA***

# PRODUCTS

<b>Code</b>	<b>Description</b>
0120480014	DFCO 2.5 MC C/PN11L15 S-0302

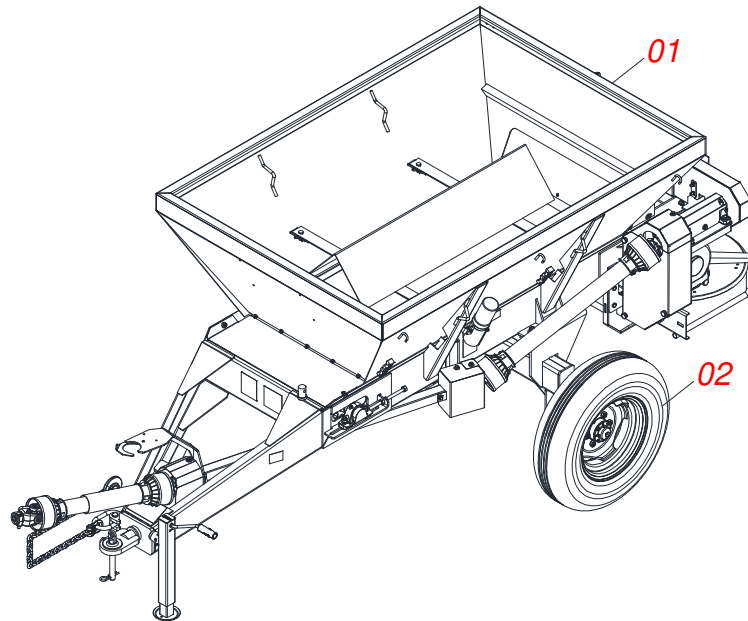
## **ATTENTION: IMPORTANT**

CIVEMASA reserves the right to improve and/or modify the technical features of its products, without obligation to do the same with those products already sold and without prior knowledge of the dealer or the consumer. The photos are only illustrative.

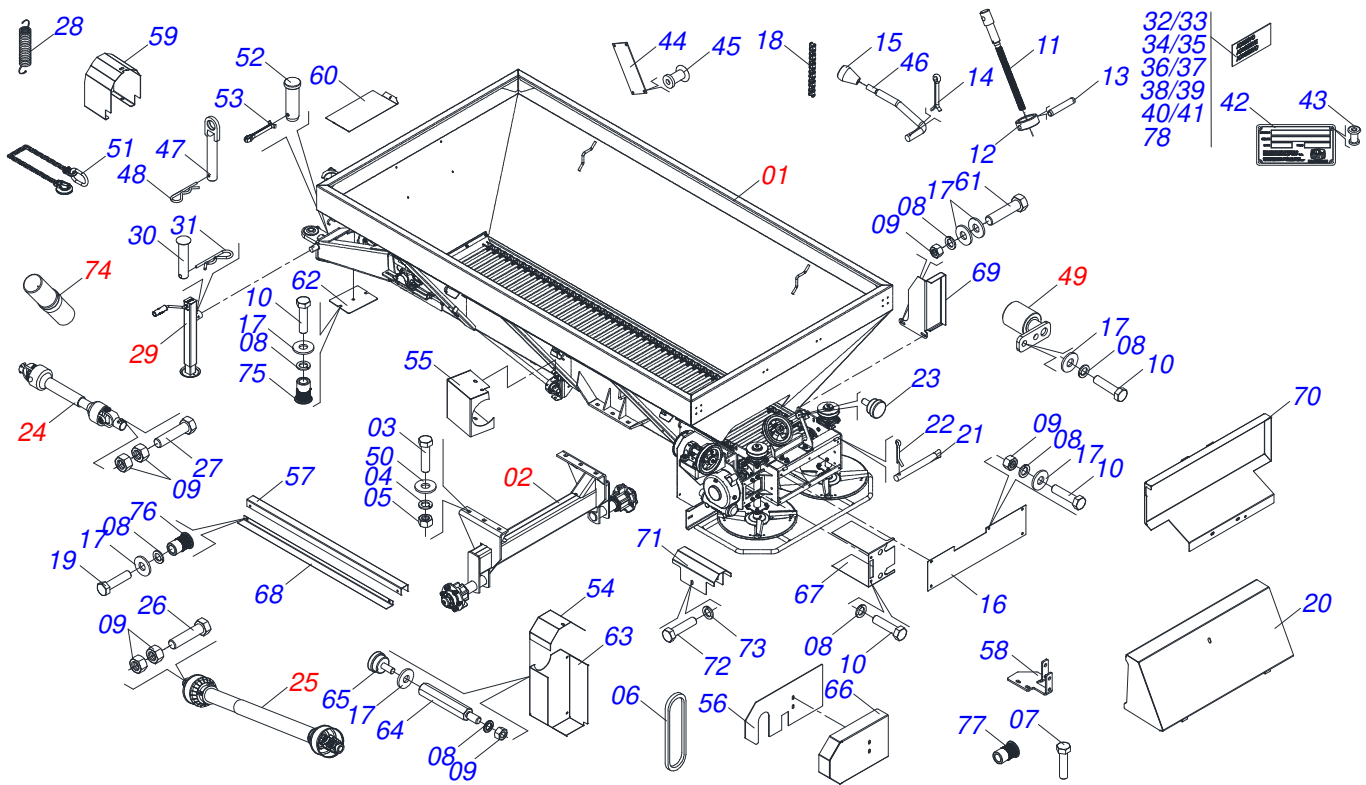


# INDEX

0909096185	ASSY FRAME	.....	1
0521048746	ASSY FRAME	.....	2
0521054673	FRAME WITH BUCKET	.....	3
0511059105	SLUICE VALVE SUPPORT	.....	4
0511059094	SHAFT BEARING THREADED	.....	5
0511059108	SLUICE VALVE COVER ASSY	.....	6
0501044308	AGRICULTURAL BEARING ASSY	.....	7
0501047985	REDUCER	.....	8
0501051774	38Z CROWN	.....	9
0501053868	BELT TENSIONER ASSY	.....	10
0501054013	RIGHT BEARRING SUPPORT DISC	.....	11
0501048000	AGRICULTURAL BEARING	.....	12
0501053870	DISTRIBUTOR RIGHT DISC ASSY	.....	13
0501053871	DISTRIBUTOR LEFT DISC ASSY	.....	14
0511041213	AGRICULTURAL BEARING	.....	15
0501056885	CARDAN LEVER SUPPORT	.....	16
0501044306	BATH BEARING	.....	17
0531050244	PROTECTOR DISC	.....	18
0511041062	SUPPORT FIXATION	.....	19
0501051142	CARRYING WHEEL HUB	.....	20
0501048241	DRIVE SHAFT	.....	21
0501048409	DRIVE SHAFT	.....	22
0503062157	HEADER JACK	.....	23
0501050829	CHAIN TENSIONER	.....	24
0531051123	CATALOGUE/MANUAL CANISTER ASSY	.....	25
0503060181	WHEEL AND TIRE	.....	26



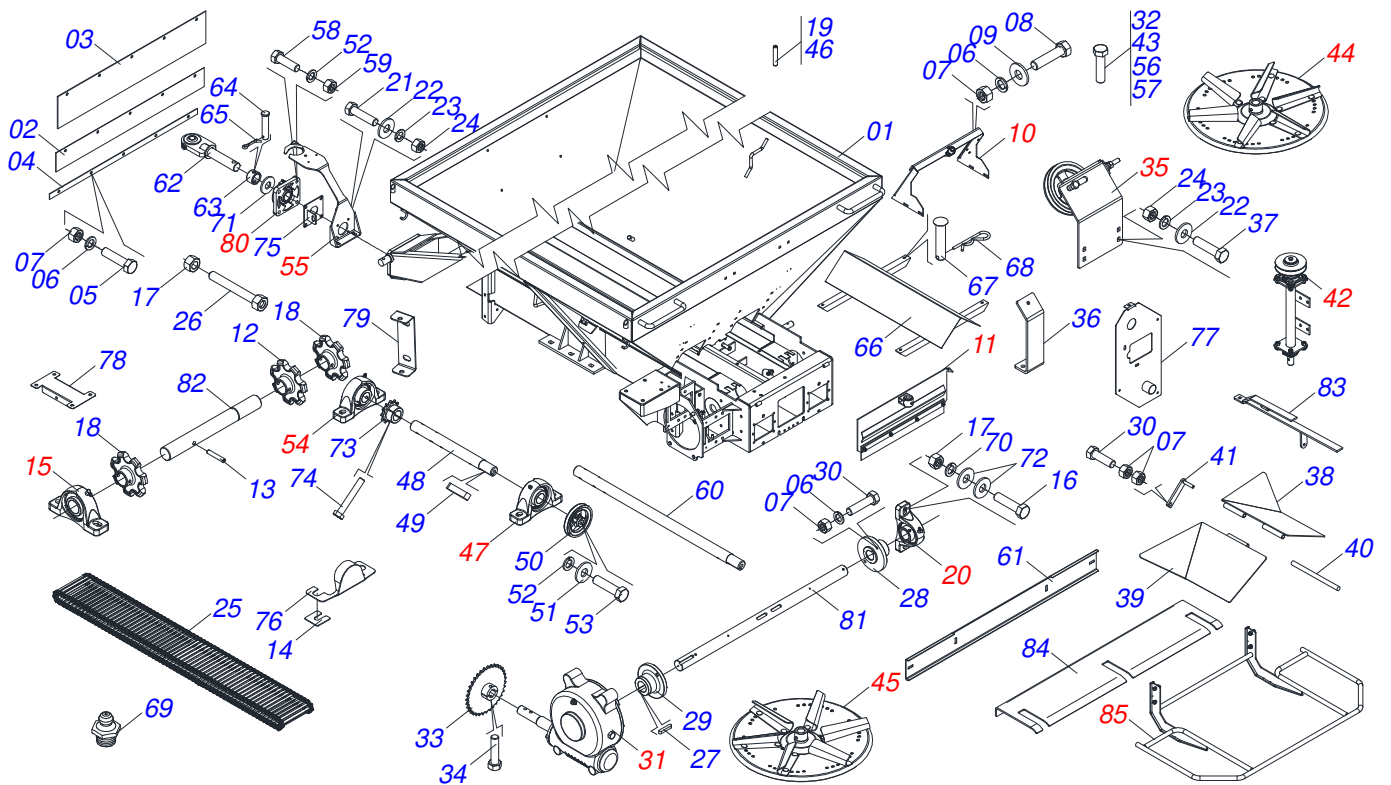
Item	Code	Description	See page	QT
01	0521048746	ASSY FRAME	2	01
02	0503060181	WHEEL AND TIRE	26	02



Item	Code	Description	See page	QT
01	0521054673	FRAME WITH BUCKET	3	01
02	0511041062	SUPPORT FIXATION	19	01
03	0503010899	5/8" X 2-1/4" BOLT		06
04	0503010027	5/8" SPRING WASHER		06
05	0503010013	5/8" NUT		06
06	0503012941	C-148 BELT		01
07	0503010751	C3/8" X 1.1/4" HEX BOLT G.5		02
08	0503010025	3/8" SPRING WASHER		25
09	0503010026	3/8" NUT		22
10	0503010237	3/8" X 1" BOLT		11
11	0561014861	REGULATOR		01
12	0511013015	SLEEVE		01
13	0503010561	SPRING PIN		01
14	0503010257	1/8" X 1" COTTERPIN		01
15	0503030878	LEVER CRANK		01
16	0531014340	REAR PROTECTION		01
17	0501010984	FLAT WASHER		29
18	0503013003	50-1 CHAIN X 79 LINK + REDUCTION + MENDING		01
19	0503010256	3/8" X 3/4" BOLT		12
20	0511063408	REAR COVER PROTECTION		01
21	0501017574	0.3" X 2.7" AXLE		02
22	0503010140	1/8" X 3/4" COTTERPIN		02
23	0503010386	CABLE		01
24	0501048241	DRIVE SHAFT	21	01
25	0501048409	DRIVE SHAFT	22	01
26	0503011268	3/8" X 2-1/2" BOLT		02
27	0503010765	3/8" X 3" BOLT		01
28	0503030198	0.6" X 2.4" X 0.1" EXTENSION SPRING		01
29	0503062157	HEADER JACK	23	01
30	0521010549	COUPLING SHAFT		01
31	0503030168	HAIR PIN		01

**ASSY FRAME**

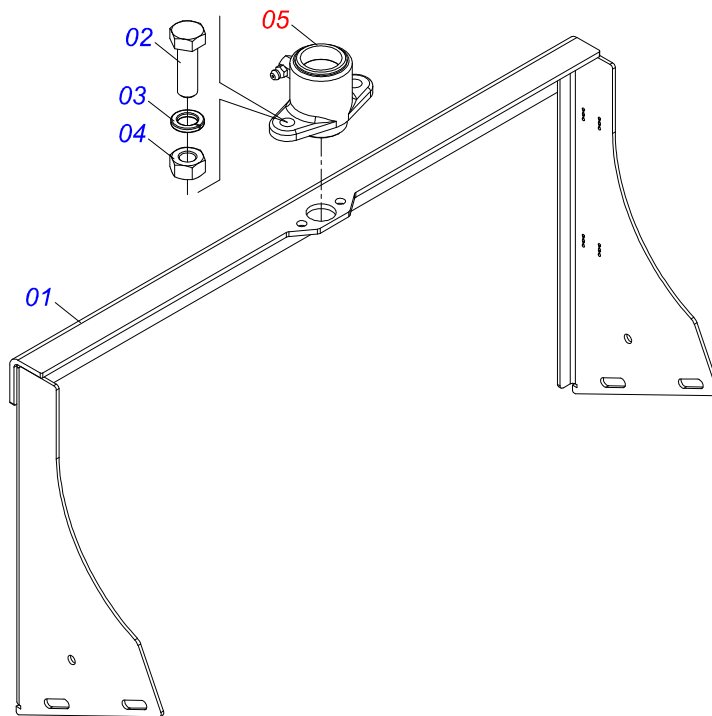
Item	Code	Description	See page	QT
32	0503034148	BADGE		02
33	0503034149	BADGE		02
34	0503031859	ADHESIVE LABEL DANGER		02
35	0503031428	READ MANUAL DECAL		01
36	0503031827	LUBRICATE AND RETIGHTEN DAILY DECAL		01
37	0503033647	APPROVED BADGE		01
38	0503031818	ADHESIVE LABEL		01
39	0503031809	ADHESIVE LABEL		01
40	0503032425	ADHESIVE LABEL ATTENTION		01
41	0503032949	ADHESIVE LABEL		01
42	0503034004	ALUMINUM IDENTIFICATION LABEL		01
43	0503010001	3.2 X 5.5 RIVET		04
44	0503030751	REGULATOR PLATE		01
45	0503012209	RIVET POP		04
46	0521011107	CRANK BODY		01
47	0501068989	COUPLING SHAFT		01
48	0503031035	HAIR PIN		01
49	0501050829	CHAIN TENSIONER	24	01
50	0501012140	FLAT WASHER		12
51	0503013150	1300 X 3/8 CHAIN		01
52	0581011220	COUPLING SHAFT		01
53	0503010131	3/16" X 1-1/2" COTTERPIN		01
54	0581017494	TOP PROTECTION RECAMBIO		01
55	0521068818	BEARING PROTECTION		01
56	0521068792	COVER PROTECTION		01
57	0581017459	AXLE PROTECTION COVER		01
58	0521068801	SUPPORT BELT PROTECTION		01
59	0521068802	PROTECTION TOGETHER CARDAN		01
60	0581017447	FRONT PROTECTION		01
61	0503010849	3/8" X 1-1/2" BOLT		06
62	0581017488	LOWER PROTECTION BOARD CARDAN		01
63	0581017446	CHAIN CAP		01
64	0581017496	PRISONER 3/8 UNC X 5/16 UNC X 175		03
65	0503010386	CABLE		03
66	0581017450	BELT SIDE PROTECTOR		01
67	0581017453	FLANGE PROTECTION COVER		01
68	0581017460	FRONT COVER		01
69	0581017469	PROTECTION SIDE		01
70	0521068794	BELT INTERNAL PROTECTION		01
71	0581015152	COVER PROTECTION		01
72	0503010240	BOLT		02
73	0503010179	LOCK WASHER		02
74	0531051123	CATALOGUE/MANUAL CANISTER ASSY	25	01
75	0503019416	RIVET SCREW THREAD INTERNAL		07
76	0503019729	THREAD SCREW INTERNAL		04
77	0503019413	THREAD SCREW INTERNAL		04
78	0503035156	LABEL ADHESIVE		01



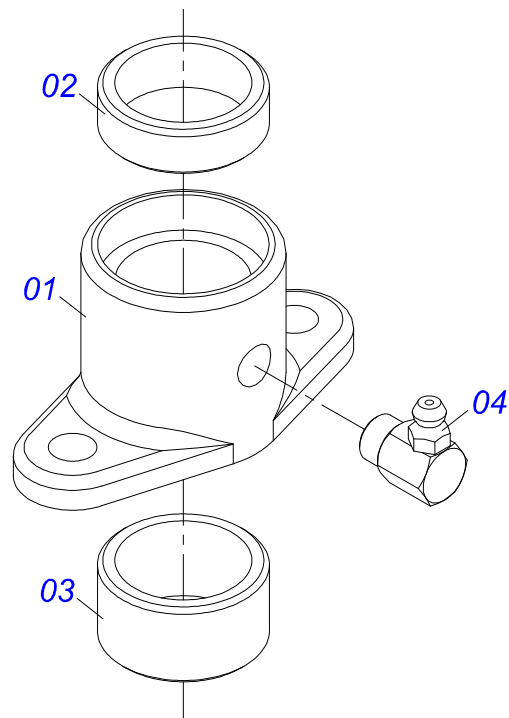
Item	Code	Description	See page	QT
01	0521069207	FRAME BUCKET		01
02	0531014336	31.4"X3.1"X 0.1" PROTECTION SMALLER		01
03	0531014337	PROTECTION LARGER		02
04	0531014331	SLUICE VALVE FIXER COVER		01
05	0503010237	3/8" X 1" BOLT		13
06	0503011443	3/8" SPRING WASHER		22
07	0503010026	3/8" NUT		24
08	0503010751	C3/8" X 1.1/4" HEX BOLT G.5		04
09	0501010984	FLAT WASHER		10
10	0511059105	SLUICE VALVE SUPPORT	4	01
11	0511059108	SLUICE VALVE COVER ASSY	6	01
12	0502040728	7Z GEAR		03
13	0503010361	SPRING PIN		03
14	0501010794	HIDR CHOCK REGULATOR		04
15	0501044308	AGRICULTURAL BEARING ASSY	7	02
16	0503010233	5/8" X 2-1/2" BOLT		04
17	0503010013	5/8" NUT		08
18	0502040728	7Z GEAR		03
19	0503010361	SPRING PIN		03
20	0501044308	AGRICULTURAL BEARING ASSY	7	02
21	0503010740	BOLT 1/2 UNC X 2 CS G.5 ZN		10
22	0511017302	FLAT WASHER		22
23	0503011440	SPRING WASHER		26
24	0503010060	1/2" NUT		26
25	0511063813	DRIVE THE TRANSPORT TALISCA		01
26	0501067853	ROD STABILIZER		02
27	0501010540	KEYWAY SQUARE		02
28	0511016540	MAT COUPLING FLANGE		01
29	0511016541	REDUCTION COUPLING FLANGE		01
30	0503010849	3/8" X 1-1/2" BOLT		03
31	0501047985	REDUCER	8	01

Item	Code	Description	See page	QT
32	0503011167	M16 X 2 X 30 BOLT		04
33	0501069020	35Z GEAR		02
34	0503011268	3/8" X 2-1/2" BOLT		03
35	0501053868	BELT TENSIONER ASSY	10	01
36	0511063668	REAR FIXER COVER		01
37	0503010238	BOLT 1/2 UNC X 1.3/4 CS G.2 ZN		04
38	0511063659	RIGHT FLOW DIVIDING		01
39	0511063660	LEFT FLOW DIVIDING		01
40	0531015309	TENSIONER OPEN		01
41	0501067368	DIVISOR REGULATOR OPEN		02
42	0501054013	RIGHT BEARRING SUPPORT DISC	11	02
43	0503010920	1/2" X 1.1/2" BOLT		08
44	0501053870	DISTRIBUTOR RIGHT DISC ASSY	13	01
45	0501053871	DISTRIBUTOR LEFT DISC ASSY	14	01
46	0503010361	SPRING PIN		02
47	0511041213	AGRICULTURAL BEARING	15	02
48	0531014330	DRIVE AXLE		01
49	0501010536	KEYWAY SQUARE		01
50	0502011361	REEL 1C 5.5" X 1.1" PULLEY		01
51	0511014052	FLAT WASHER		01
52	0503011446	SPRING WASHER		05
53	0503010355	7/16" X 1" BOLT		01
54	0511041213	AGRICULTURAL BEARING	15	01
55	0501056885	CARDAN LEVER SUPPORT	16	01
56	0503010920	1/2" X 1.1/2" BOLT		12
57	0503011082	C1/2" X 1.3/4" SCREW		02
58	0503011135	BOLT		04
59	0503010244	7/16" NUT		04
60	0521012443	TRANSMISSION AXLE		01
61	0531014338	BAMPER		01
62	0521068793	TRACTOR TRACTOR		01
63	0521010681	BUSHING COUPLING BODY		01
64	0521010639	COUPLING SHAFT		01
65	0503010571	1/4" X 1.1/2 COTTERPIN		01
66	0511063841	LARGER DEFLECTOR		01
67	0521017623	0.5" X 1.5" COUPLING SHAFT		04
68	0503030168	HAIR PIN		04
69	0503011098	1/4" GREASE FITTING		04
70	0503011445	SPRING WASHER		18
71	0501015875	FLAT WASHER		01
72	0501012140	FLAT WASHER		08
73	0501069017	12Z GEAR		01
74	0503011267	BOLT 5/8 UNC X 1.1/2 C S G.5 ZN		02
75	0521068825	SUPPORT AXLE PROTECTION		01
76	0521068822	BEARING PROTECTION		03
77	0521068791	TRANSMISSION PROTECTION COVER		01
78	0521068109	FIXER PROTECTION COVER		01
79	0521068824	PROTECTION SUPPORT BEARING		01
80	0501044306	BATH BEARING	17	01
81	0531014346	MOTOR SHAFT		01
82	0531014345	DRIVEN AXLE		01
83	0531061725	REAR DEFLECTOR SUPPORT		01
84	0531014324	TOOTH COVER		01
85	0531050244	PROTECTOR DISC	18	01

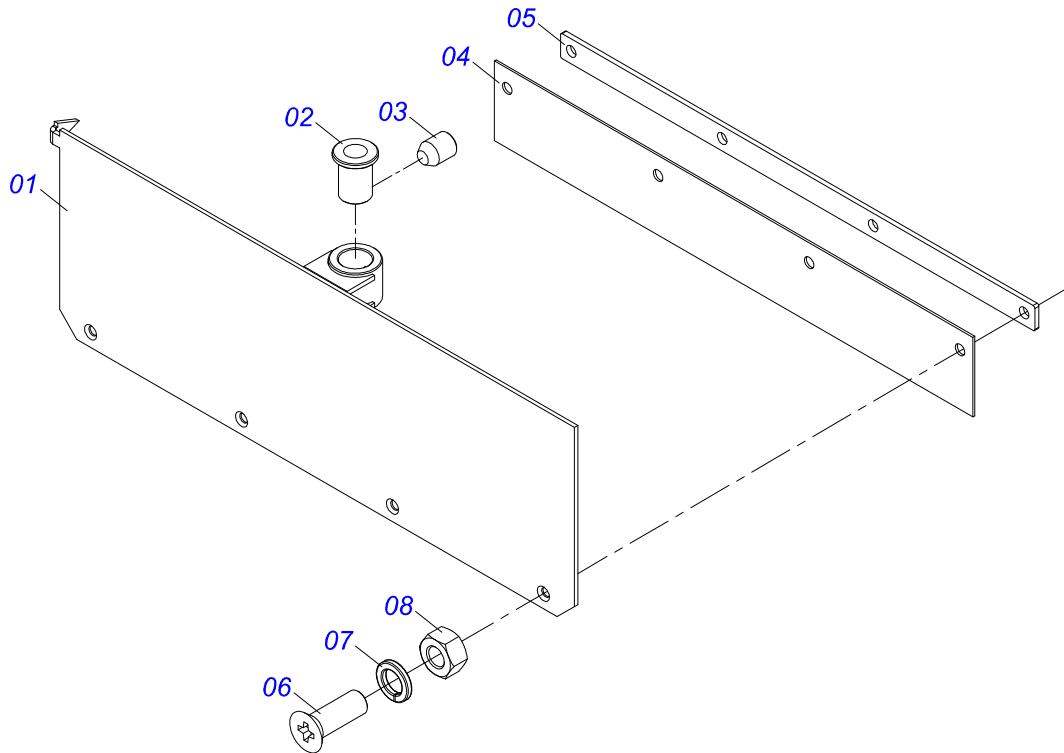




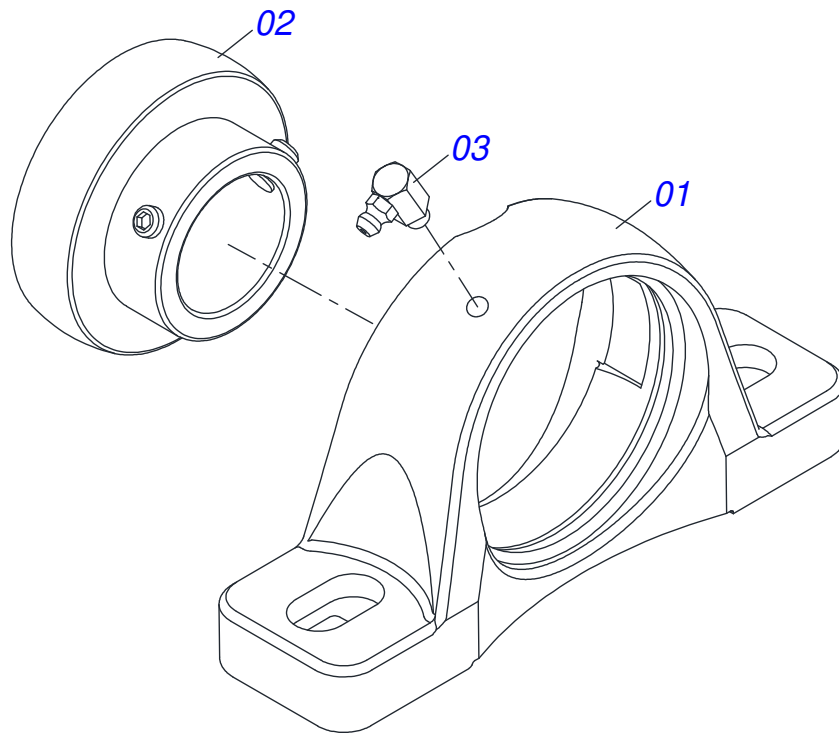
Item	Code	Description	See page	QT
01	0511063410	SLUICE VALVE SUPPORT		01
02	0503010363	5/16" X 1" BOLT		02
03	0503011444	SPRING WASHER		02
04	0503010337	5/16" NUT		02
05	0511059094	SHAFT BEARING THREADED	5	01



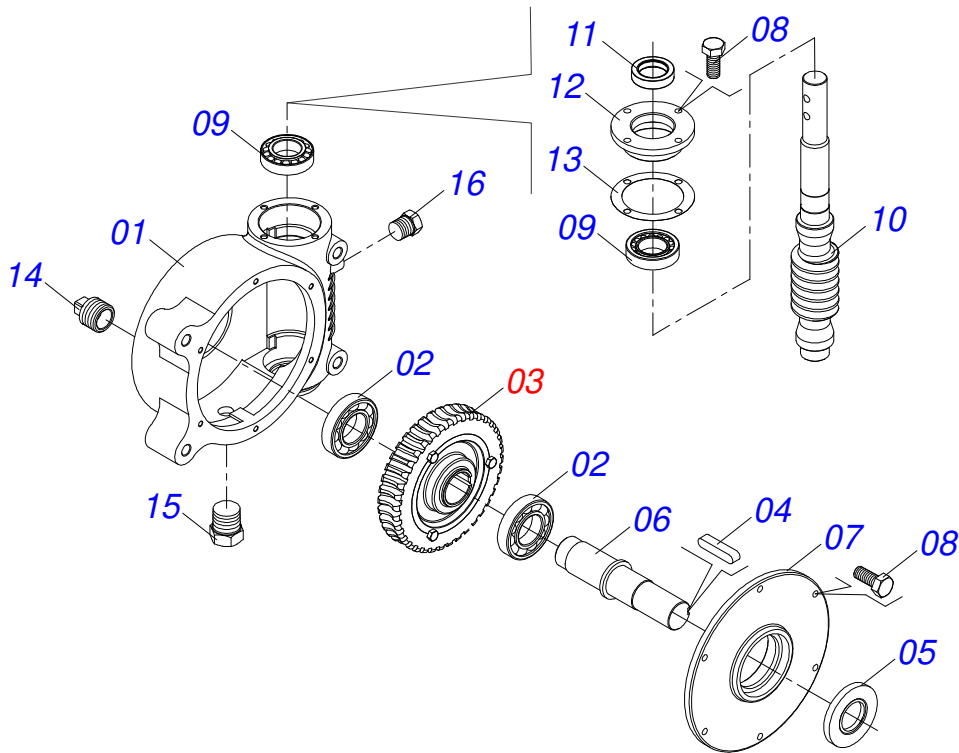
Item	Code	Description	See page	QT
01	0502010581	ROD BEARING		01
02	0521010458	SLEEVE		01
03	0521010457	SLEEVE		01
04	0503010004	1890 GREASE FITTING		01



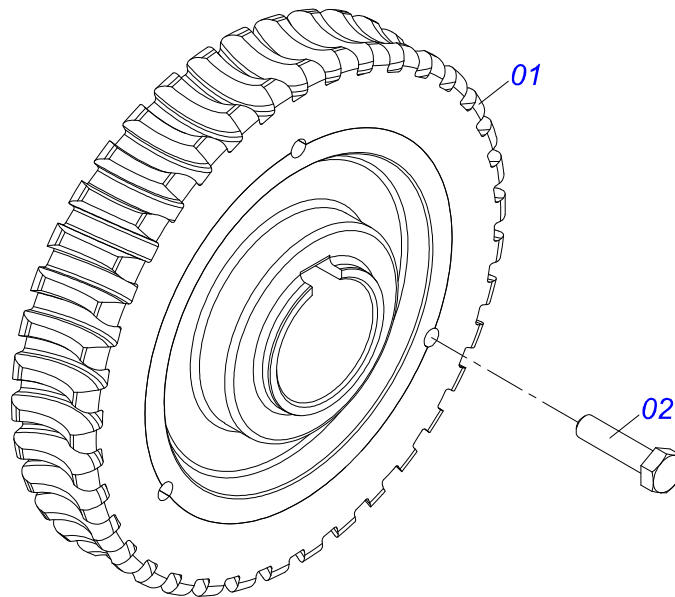
Item	Code	Description	See page	QT
01	0511063413	SLUICE VALVE COVER		01
02	0501019831	ADJUSTING NUT		01
03	0503011148	3/8" X 1/2" BOLT		01
04	0531014336	31.4"X3.1"X 0.1" PROTECTION SMALLER		01
05	0531014331	SLUICE VALVE FIXER COVER		01
06	0503010546	5/16" X 7/8" BOLT		05
07	0503011444	SPRING WASHER		05
08	0503010337	5/16" NUT		05



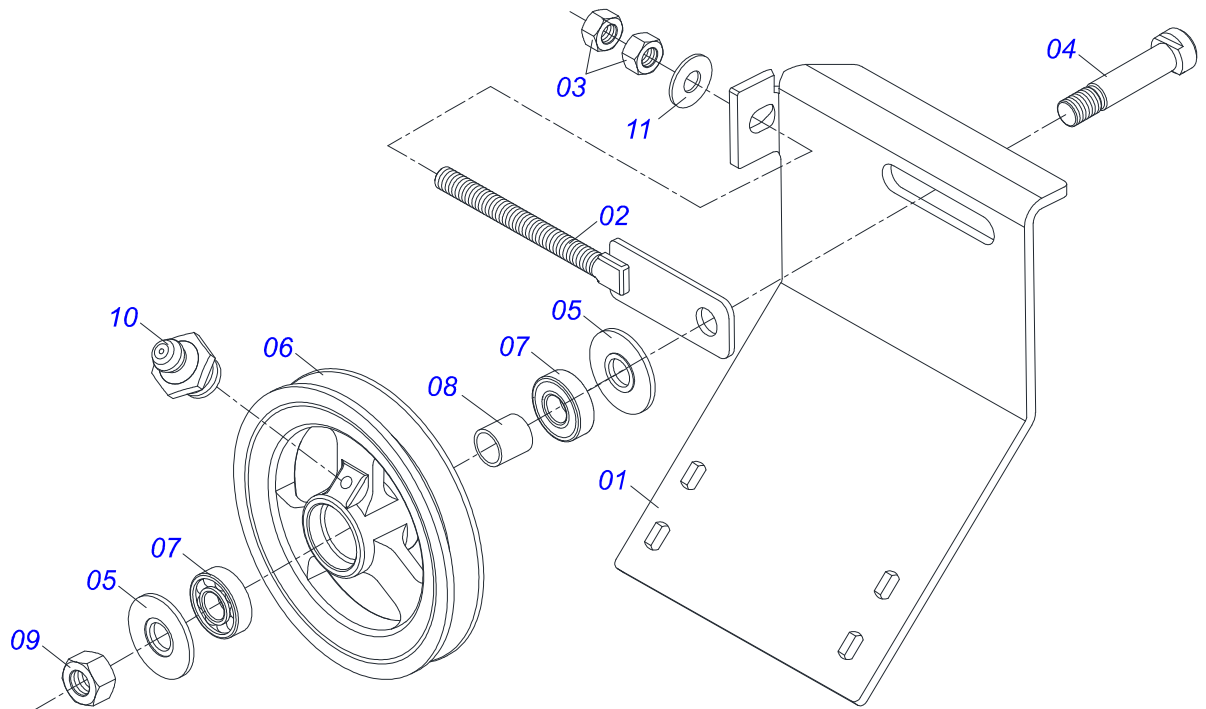
Item	Code	Description	See page	QT
01	0502011050	AGRICULTURAL HOUSING BEARING		01
02	0503011163	1108/UCR BEARING ASSY		01
03	0503010004	1890 GREASE FITTING		01



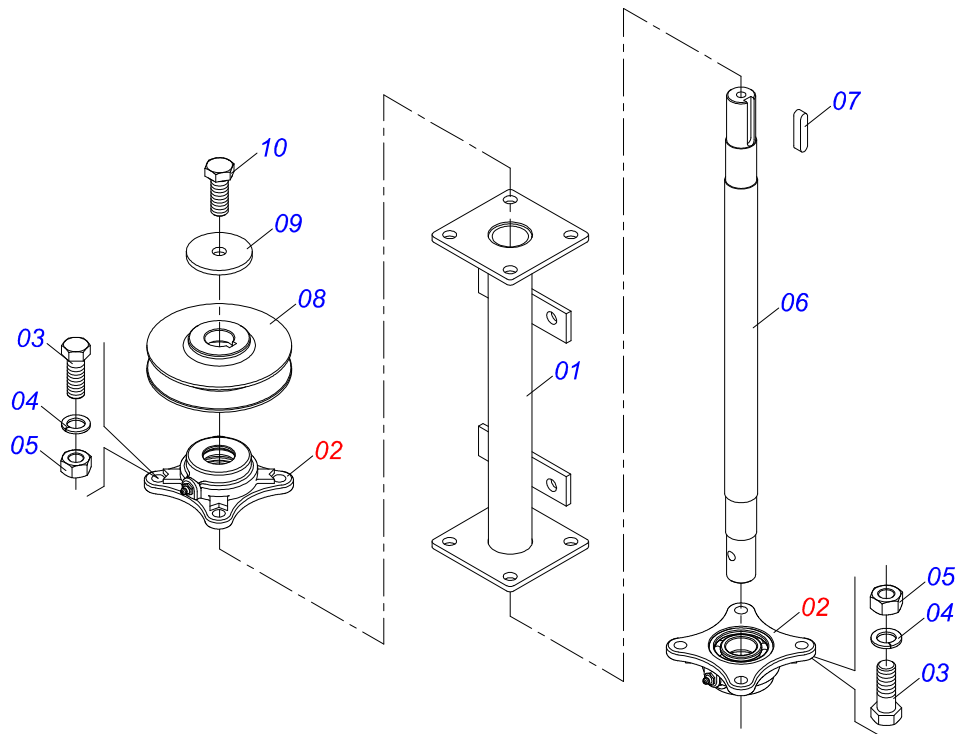
Item	Code	Description	See page	QT
01	0502011456	REDUCTION BOX		01
02	0503011095	6208 BALL BEARING		02
03	0501051774	38Z CROWN	9	01
04	0503011304	1/2" X 2.4" KEYWAY SQUARE		01
05	0503010818	02675-BRG SEAL		01
06	0521010996	AXLE		01
07	0502020556	LARGER COVER		01
08	0503010240	BOLT		10
09	0503010016	BEARING LM		02
10	0521010997	SCREW THEAD		01
11	0503011171	00912-BRG SEAL		01
12	0502011457	SMALLER COVER		01
13	0503030981	102 X 75,5 X 0,10 JOINT		01
14	0521011023	PLUG		01
15	0503031604	1/2" BSP PLUG		01
16	0503010856	OIL PLUG		01



Item	Code	Description	See page	QT
01	0501110280	38Z CONICAL		01
02	0503010365	NUT		03

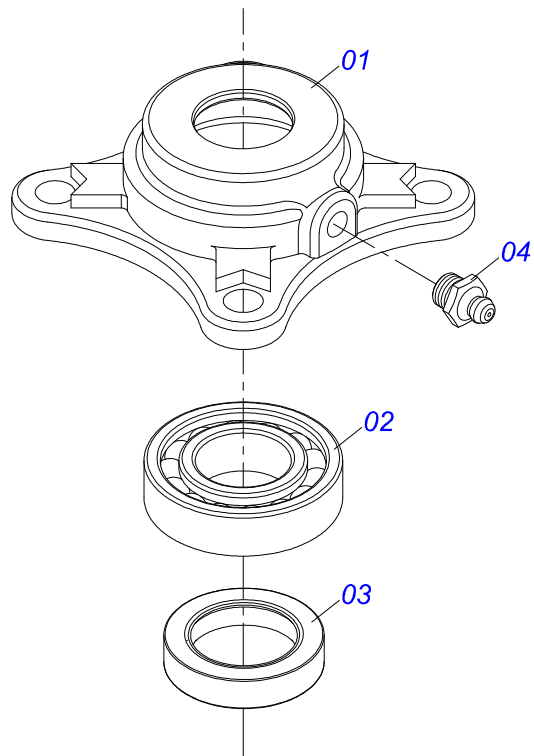


Item	Code	Description	See page	QT
01	0531014326	PULLEY BODY SUPPORT		01
02	0511064818	PULLEY TENSIONER		01
03	0503010013	5/8" NUT		02
04	0511012362	TIGHTENER AXLE PULLEY		01
05	0501019288	WASHER SPACER		02
06	0502011366	REEL 1C 8.3" X 1.6" PULLEY		01
07	0503010690	6204 BALL BEARING		02
08	0521010497	0.8" X 1.1" X 1.1" SPACER		01
09	0503010014	3/4" NUT		01
10	0503010002	1800 GREASE FITTING		01
11	0501012140	FLAT WASHER		01

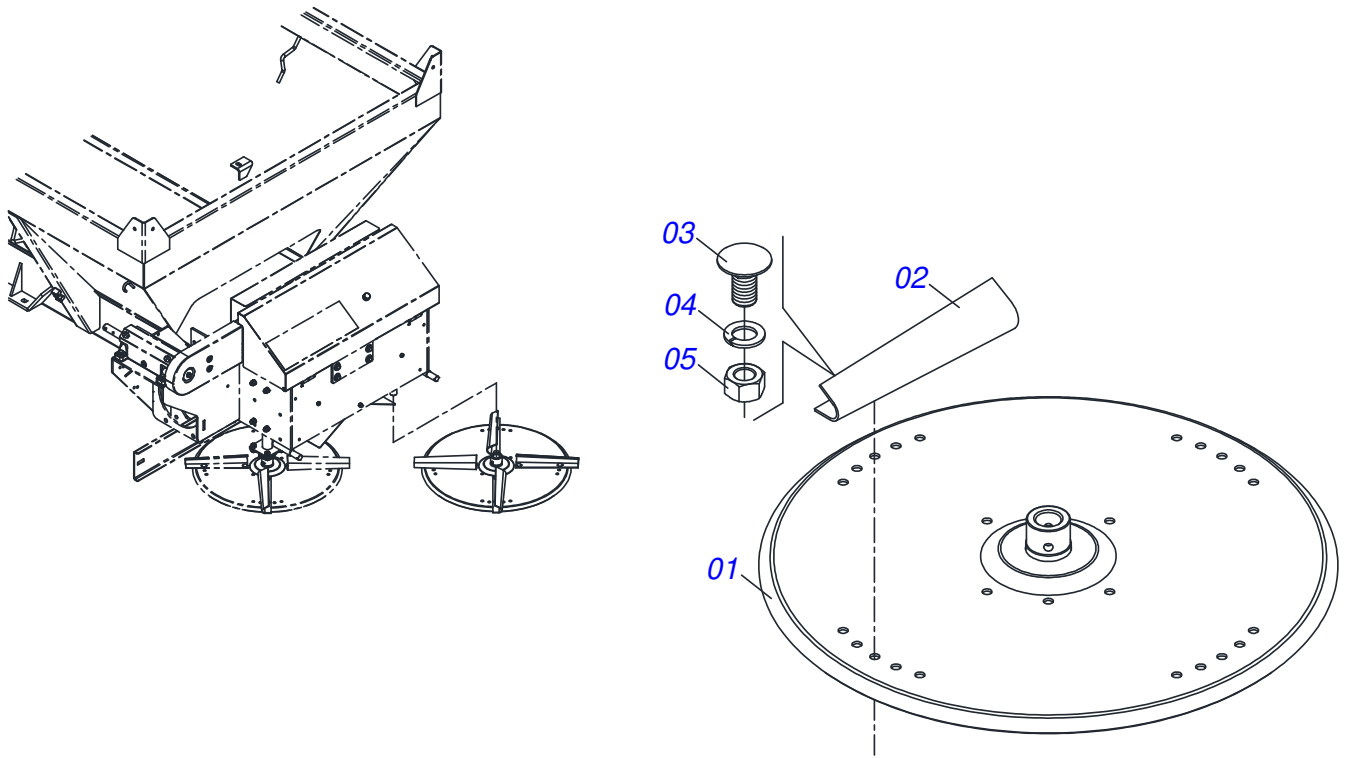


Item	Code	Description	See page	QT
01	0511063742	DISTRIBUTOR RIGHT/LEFT SUPPORT		01
02	0501048000	AGRICULTURAL BEARING	12	02
03	0503011135	BOLT		08
04	0503011446	SPRING WASHER		08
05	0503010244	7/16" NUT		08
06	0511016489	DISTRIBUTOR AXLE CONDUCTOR DISC		01
07	0501010536	KEYWAY SQUARE		01
08	0502011361	REEL 1C 5.5" X 1.1" PULLEY		01
09	0511014052	FLAT WASHER		01
10	0503010237	3/8" X 1" BOLT		01

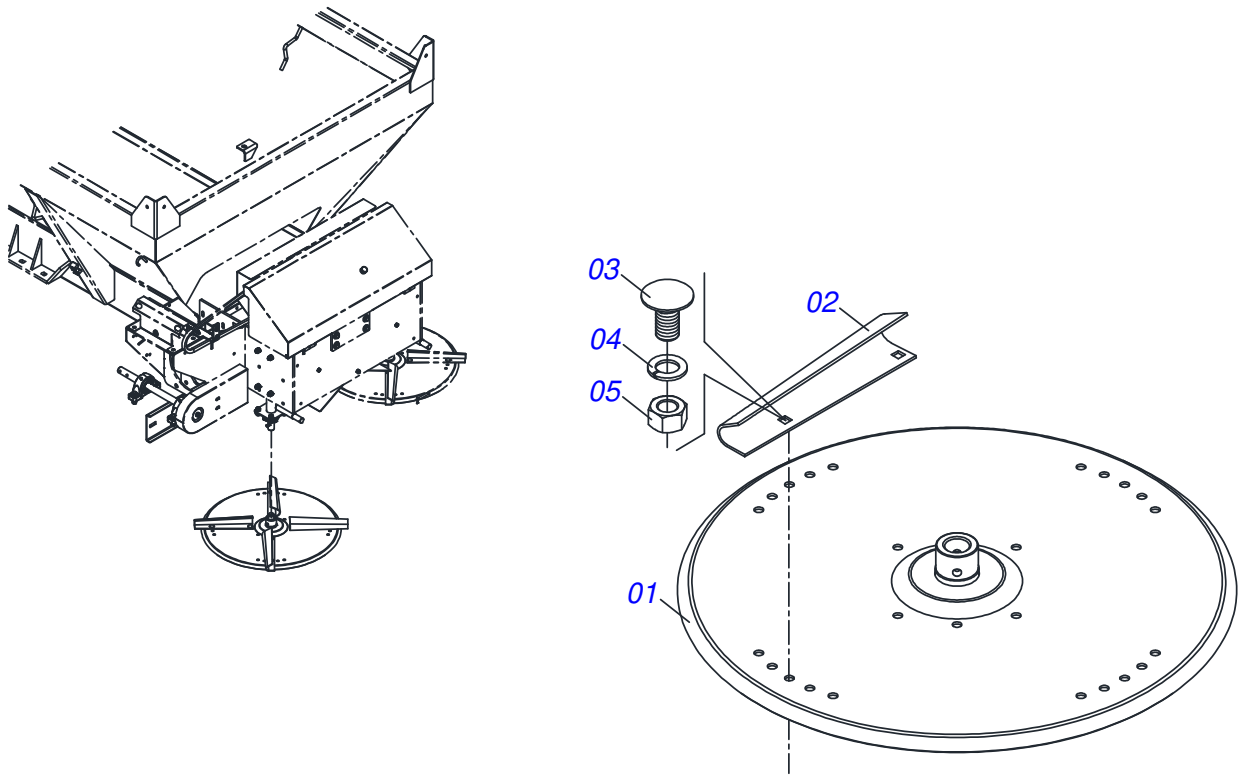




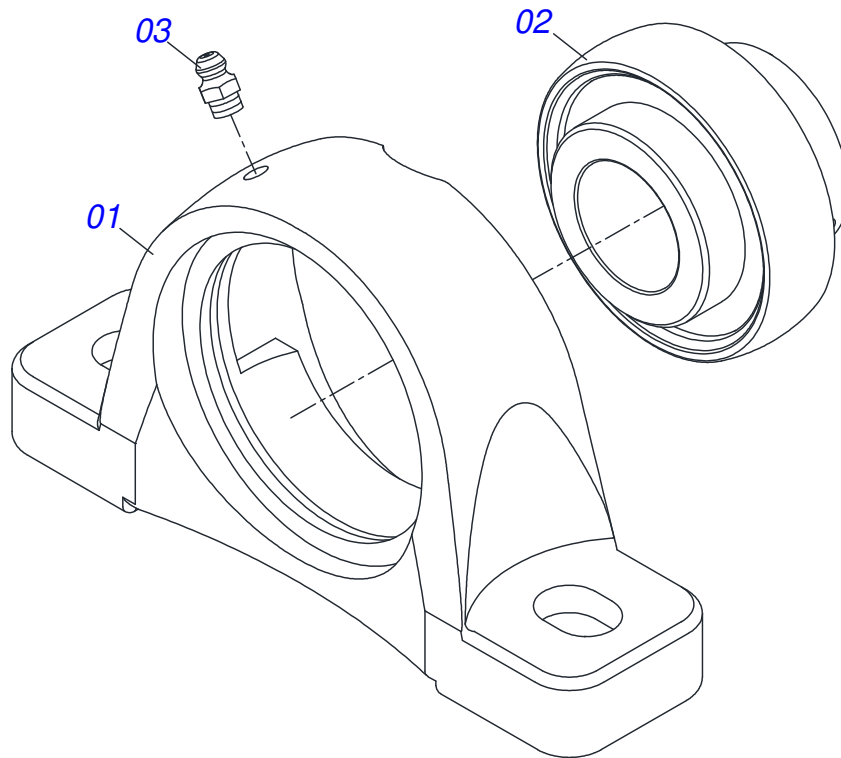
Item	Code	Description	See page	QT
01	0502011442	AGRICULTURAL HOUSING BEARING		01
02	0503010276	6206 BALL BEARING		01
03	0503011865	SEAL		01
04	0503010002	1800 GREASE FITTING		01



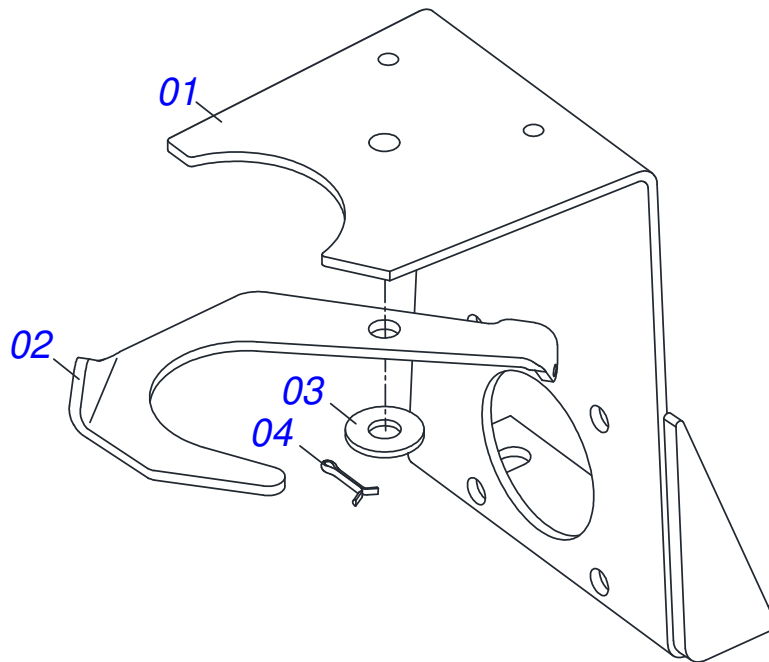
Item	Code	Description	See page	QT
01	0511063411	DISTRIBUTOR DISC		01
02	0531014343	RH FLIP		04
03	0503013029	3/8" X 3/4" BOLT		08
04	0503011443	3/8" SPRING WASHER		08
05	0503010026	3/8" NUT		08



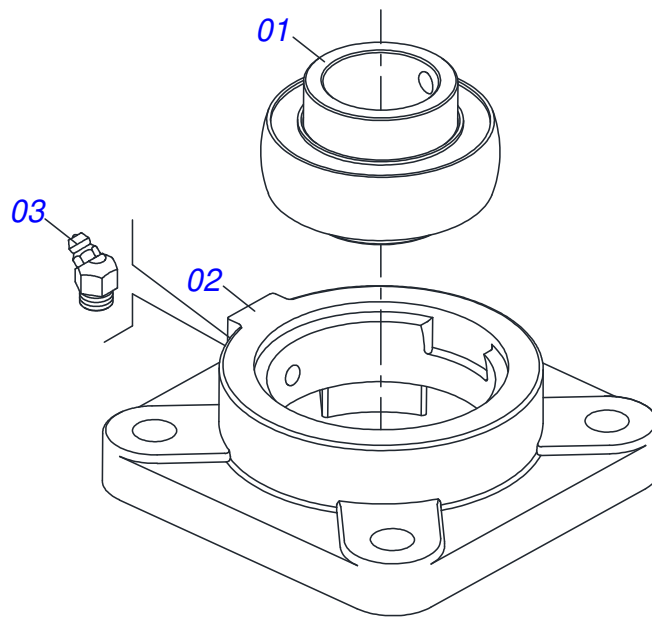
Item	Code	Description	See page	QT
01	0511063411	DISTRIBUTOR DISC		01
02	0531014344	LH FLIP		04
03	0503013029	3/8" X 3/4" BOLT		08
04	0503011443	3/8" SPRING WASHER		08
05	0503010026	3/8" NUT		08



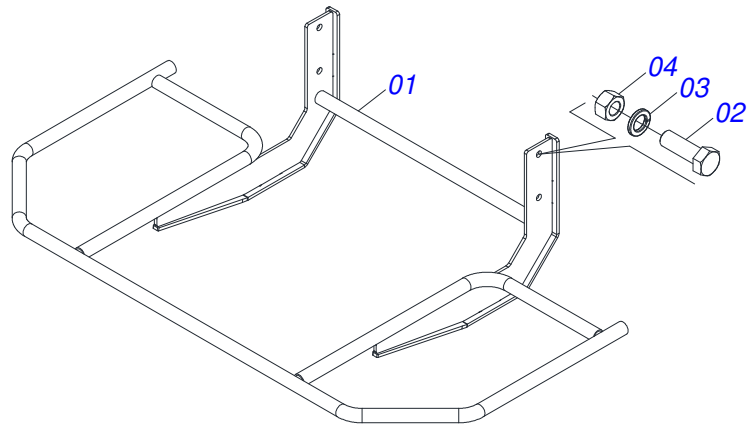
Item	Code	Description	See page	QT
01	0502011954	AGRICULTURAL HOUSING BEARING		01
02	0503011884	BALL BEARING		01
03	0503010691	1/4" GREASE FITTING		01



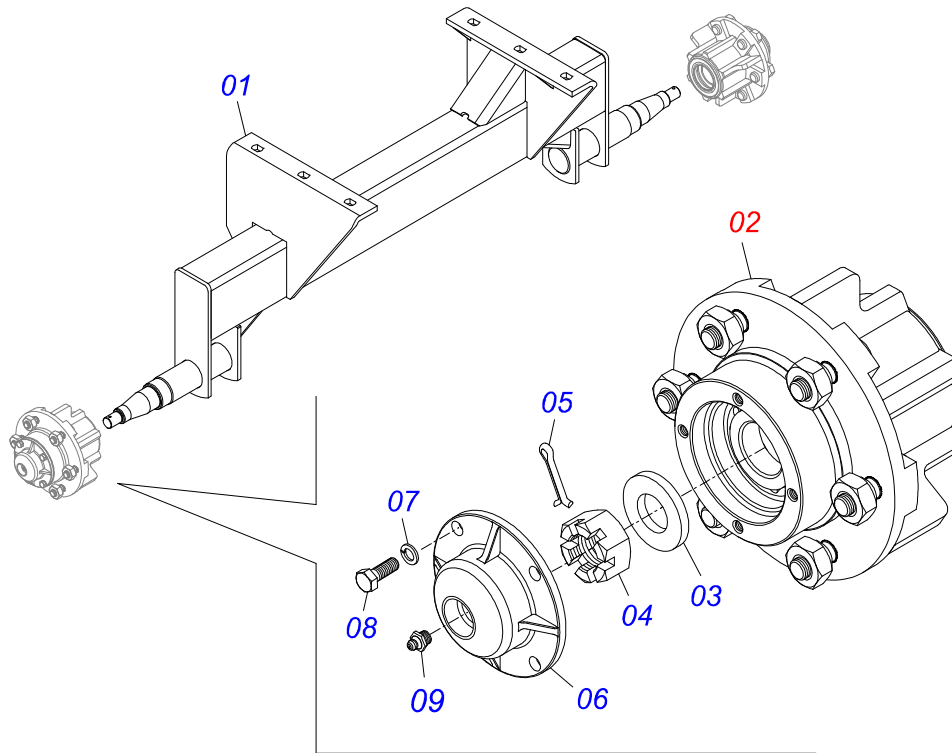
Item	Code	Description	See page	QT
01	0501066588	CARDAN LARGE SUPPORT		01
02	0511014066	CARDAN SMALLE SUPPORT		01
03	0511017302	FLAT WASHER		01
04	0503010257	1/8" X 1" COTTERPIN		01



Item	Code	Description	See page	QT
01	0503011162	BALL BEARING		01
02	0503011146	HOUSING BEARING		01
03	0503011099	GREASE FITTING		01

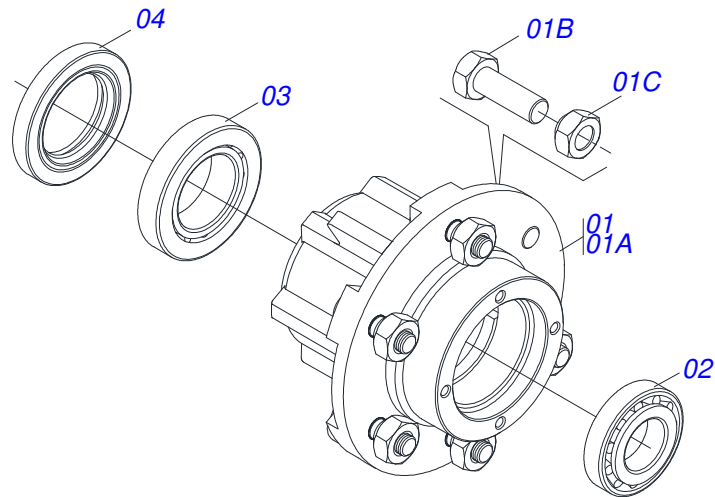


Item	Code	Description	See page	QT
01	0531061810	DISC PROTECTION		01
02	0503010920	1/2" X 1.1/2" BOLT		04
03	0503011440	SPRING WASHER		04
04	0503010060	1/2" NUT		04

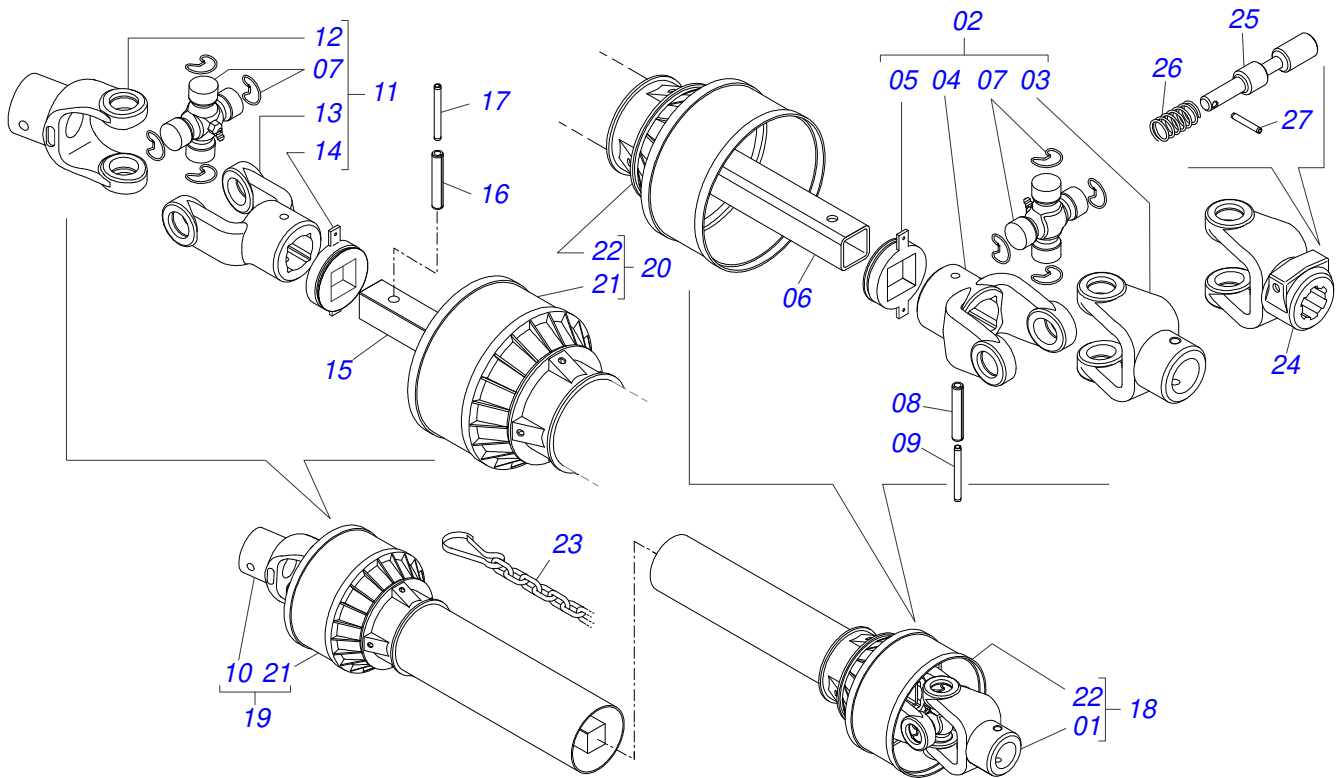


Item	Code	Description	See page	QT
01	0511063812	CARRYING-WHEELS SUPPORT FIXER		01
02	0501051142	CARRYING WHEEL HUB	20	02
03	0501016545	FLAT WASHER		02
04	0503030009	1" CASTLE NUT		02
05	0503010131	3/16" X 1-1/2" COTTERPIN		02
06	0502020591	PROTECCION COVER		02
07	0503011444	SPRING WASHER		08
08	0503010178	5/16" X 7/8" BOLT		08
09	0503010002	1800 GREASE FITTING		02

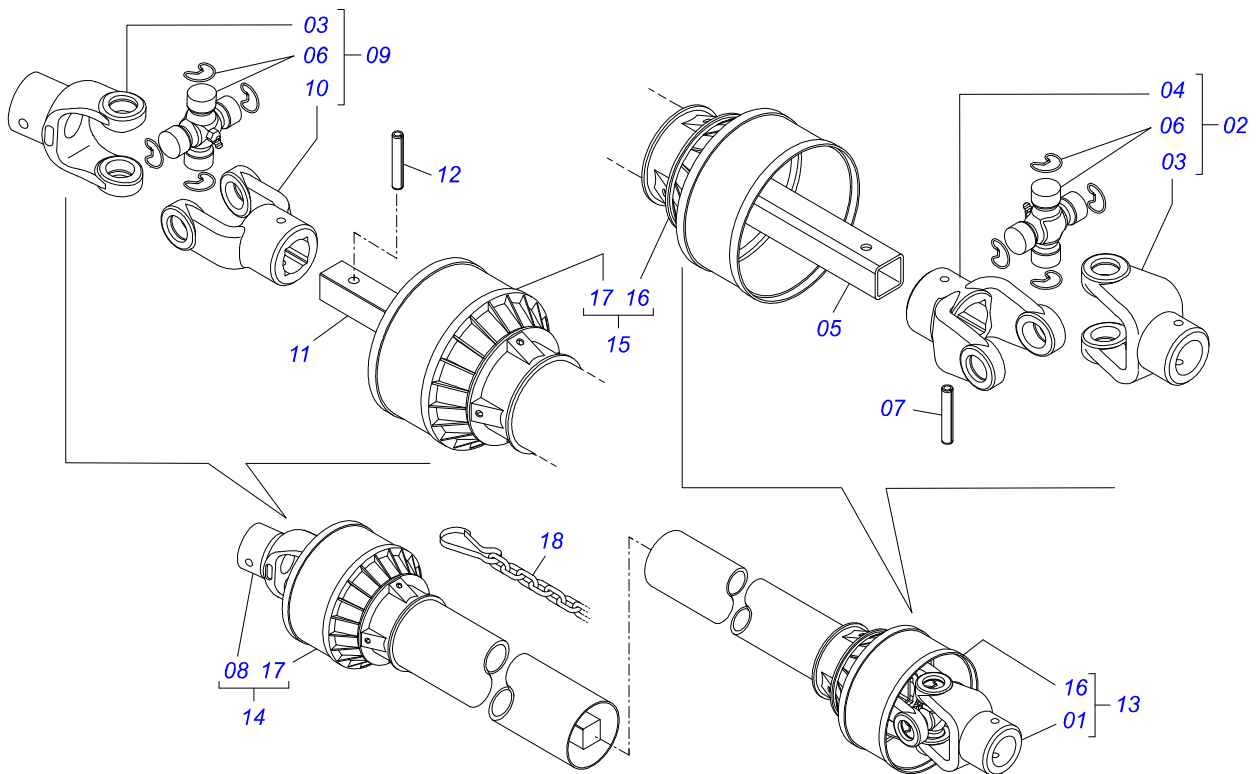




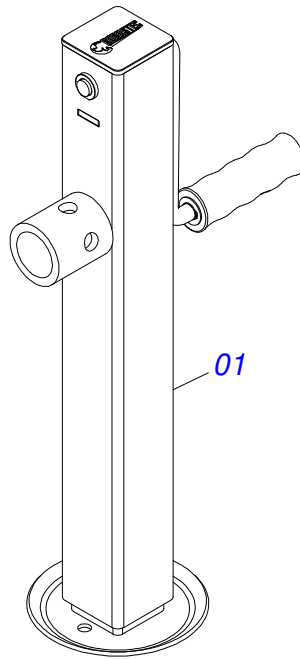
Item	Code	Description	See page	QT
01	0501110728	WHEEL HUB		01
01A	0502011121	CARRYING WHEEL HUB		01
01B	0501010127	9/16" X 1-7/8" LUG BOLT		06
01C	0503010035	9/16" CONIC NUT		06
02	0503010037	30207 ROLLER BEARING		01
03	0503010006	32210 ROLLER BEARING		01
04	0503012928	SEAL		01



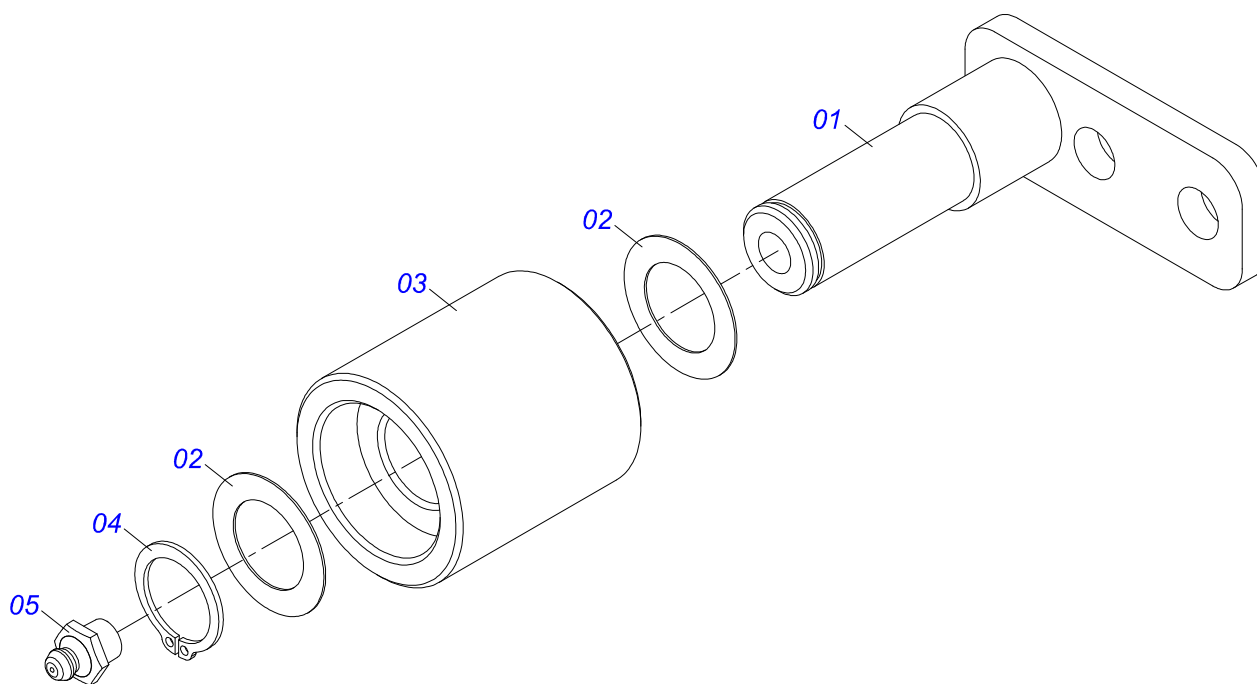
Item	Code	Description	See page	QT
01	0501052176	SLEEVE UNIVERSAL JOINT	01	01
02	0501050265	UNIVERSAL JOINT	01	01
03	0501050333	1-40 TERMINAL WITH HITCH	01	01
04	0502010565	2-40 TERMINAL W/ SH 1.5"/1.5"	01	01
05	0503012069	ADAPTER FOR BUSHING PROTECT	01	01
06	0521013800	16" X 1.4" SQUARE SLEEVE	01	01
07	0503010836	CARDAN CROSSPIECE	02	01
08	0503011069	0.4" X 2.8" SPRING PIN	01	01
09	0503010510	0.2" X 2.6" SPRING PIN	01	01
10	0501052177	AXLE UNIVERSAL JOINT	01	01
11	0501052178	UNIVERSAL JOINT	01	01
12	0502011611	9-40 TERMINAL	01	01
13	0502010566	3-40 TERMINAL WITH SH 1.2"/1.2"	01	01
14	0503012070	ADAPTER FOR AXLE PROTECTION	01	01
15	0521013801	1.2" X 15.7" SQUARE SHAFT	01	01
16	0503010361	SPRING PIN	01	01
17	0503010756	0.2" X 2.4" SPRING PIN	01	01
18	0501052179	PROT/SLEEVE UNIVERSAL JOINT	01	01
19	0501052180	PROT/AXLE UNIVERSAL JOINT	01	01
20	0503012277	PROTECTION ASSY	01	01
21	0503012279	PROTECTION FOR UNIV JOINT AND AXLE	01	01
22	0503012278	PROTECTION FOR UNIV JOINT SLEEVE	01	01
23	0503012023	CHAIN FOR PROTECTION	02	01
24	0502010563	1-40 STRIATED 1.3/8" TERMINAL	01	01
25	0521010638	0.5" X 3.3" QUIC HITCH COUPL SHAFT	01	01
26	0503030518	0.5" X 1.0" X 0.1" COMPRESSION SPRING	01	01
27	0503010838	0.1" X 0.8" SPRING PIN	01	01



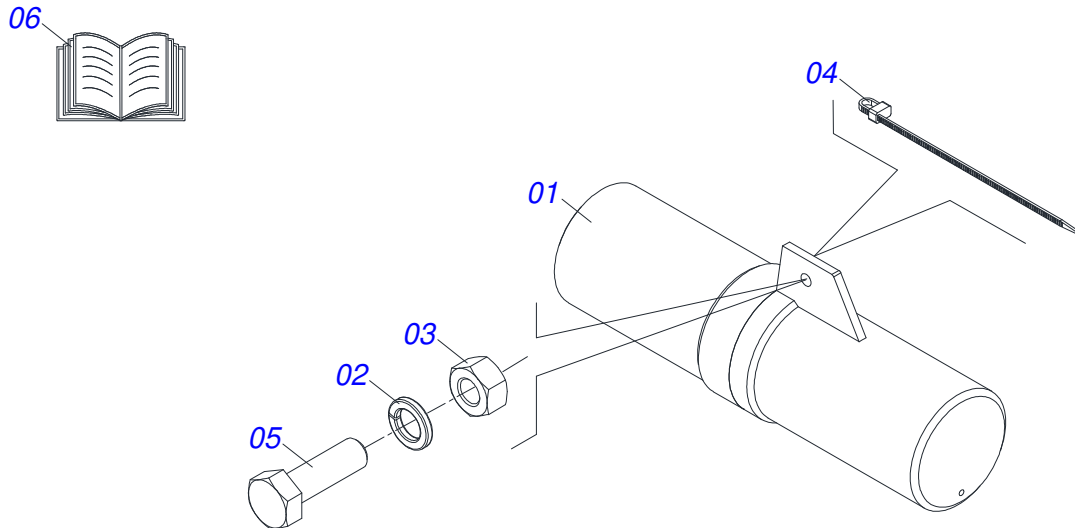
Item	Code	Description	See page	QT
01	0501052160	SLEEVE UNIVERSAL JOINT		01
02	0501051718	UNIVERSAL JOINT		01
03	0502010558	4-20 TERMINAL WITH ROLES		02
04	0502011426	2-20 TERMINAL		01
05	0521013797	0.9"X1.1"X31.5" SQUARE SLEEVE		01
06	0503010835	CARDAN CROSSPICE		02
07	0503010839	03"X 0.6" SPRING PIN		01
08	0501052161	UNIVERSAL JOINT WITH AXLE		01
09	0501051720	UNIVERSAL JOINT		01
10	0502011427	3-20 TERMINAL		01
11	0521013794	0.9" X 31.5 SQUARE SHAFT		01
12	0503010301	0.3" X 1.8" SPRING PIN		01
13	0501052162	PROT/SLEEVE UNIVERSAL JOINT		01
14	0501052163	PROT/AXLE UNIVERSAL JOINT		01
15	0503012268	PROTECTION ASSY		01
16	0503012269	PROTECTION FOR UNIV JOINT SLEEVE		01
17	0503012270	PROTECTION FOR UNIV JOINT AND AXLE		01
18	0503012023	CHAIN FOR PROTECTION		01



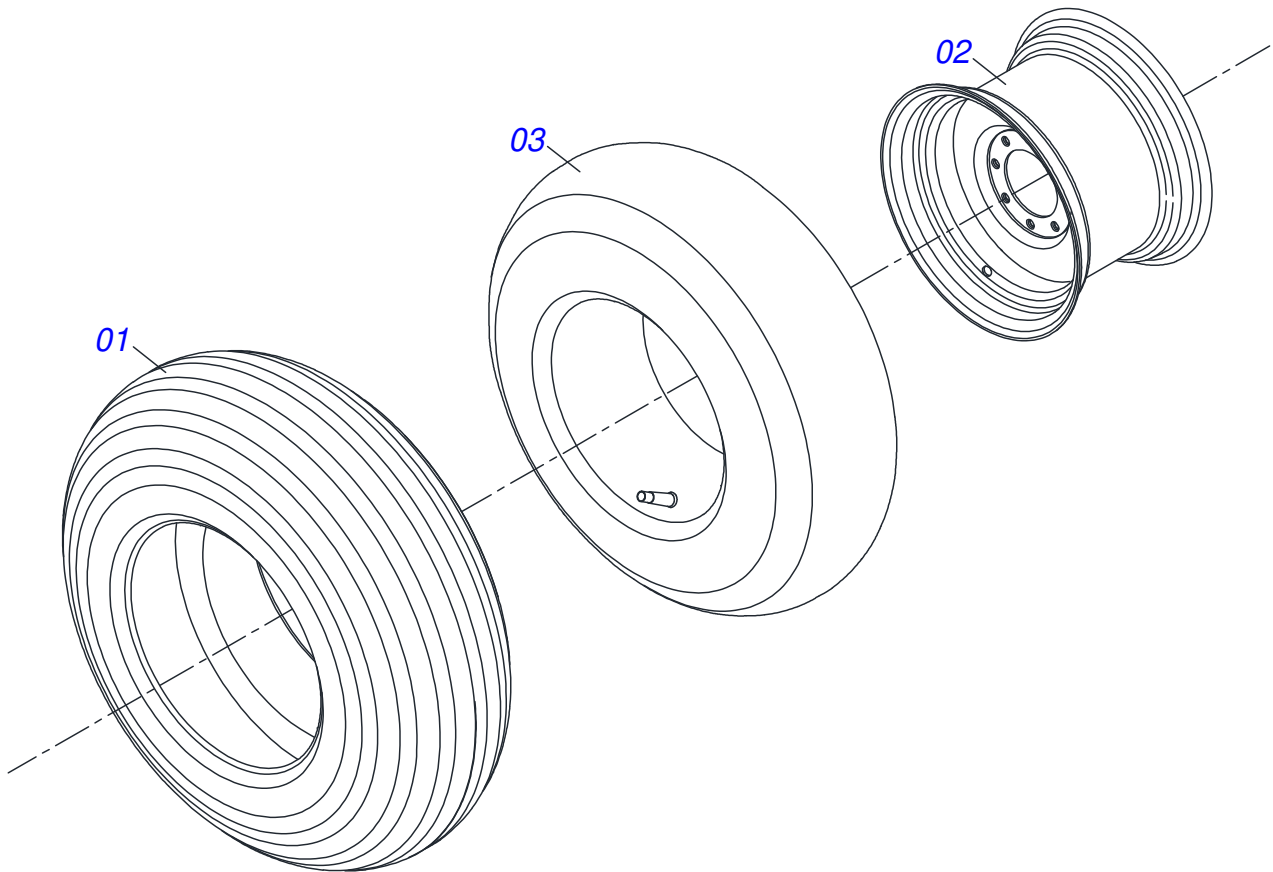
Item	Code	Description	See page	QT
01	0503062157	HEADER JACK	23	01



Item	Code	Description	See page	QT
01	0501067692	BELT TENSIONER BODY		01
02	0511015098	FLAT WASHER		02
03	0511017041	TENSIONER ROLD		01
04	0503010302	501019 SEAL RING		01
05	0503010002	1800 GREASE FITTING		01



Item	Code	Description	See page	QT
01	0503060100	OPERATOR'S MANUAL STORAGE TUBE		01
02	0503010179	LOCK WASHER		01
03	0503010337	5/16" NUT		01
04	0503010267	NYLON CLAMP		01
05	0503010363	5/16" X 1" BOLT		01
06	0511031524	PACKING WITH INSTRUCTION MANUAL		01



Item	Code	Description	See page	QT
01	0503010858	CANVAS TIRE		01
02	0503011468	WEEL		01
03	0503010860	AIR CHAMBER 11L 15		01







***civemasa***

**Technical Publications | Elaboration and Revision**

LORENA ROCHA ALVES

[www.civemasa.com.br](http://www.civemasa.com.br)

