

LIME AND FERTILIZER SPREADER

DFCO 5.5 MC WITH HYDRAULIC OPERATION

Code: 0501093232
Series: S-0114
Revision: 01
Revision Date: JANEIRO/2023

PARTS CATALOGUE


CIVEMASA

PRODUCTS

Code	Description
0120480011	DFCO 5.5 MC C/ACIONAM HIDR PN11L15 S-0114

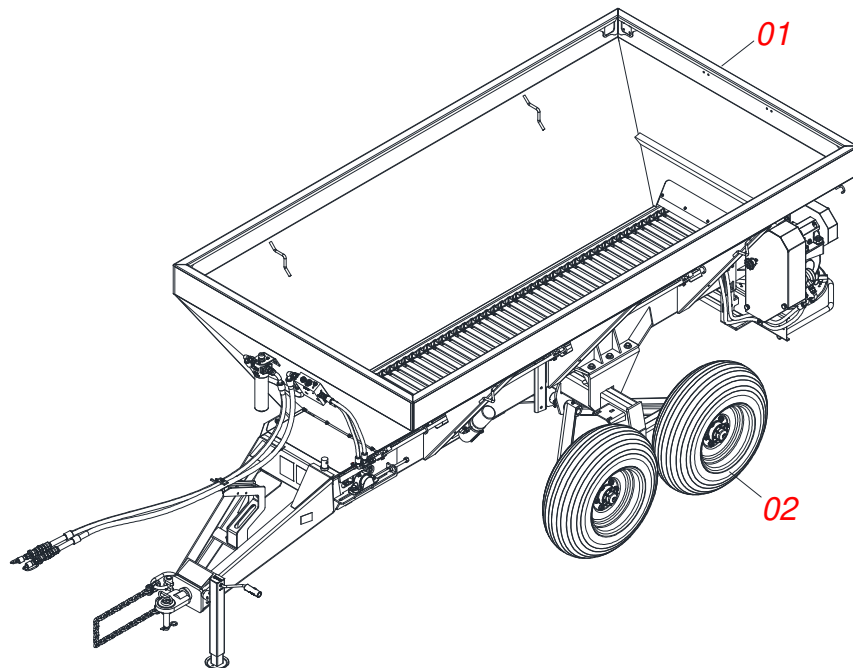
ATTENTION: IMPORTANT

CIVEMASA reserves the right to improve and/or modify the technical features of its products, without obligation to do the same with those products already sold and without prior knowledge of the dealer or the customer. The photos are only illustrative.

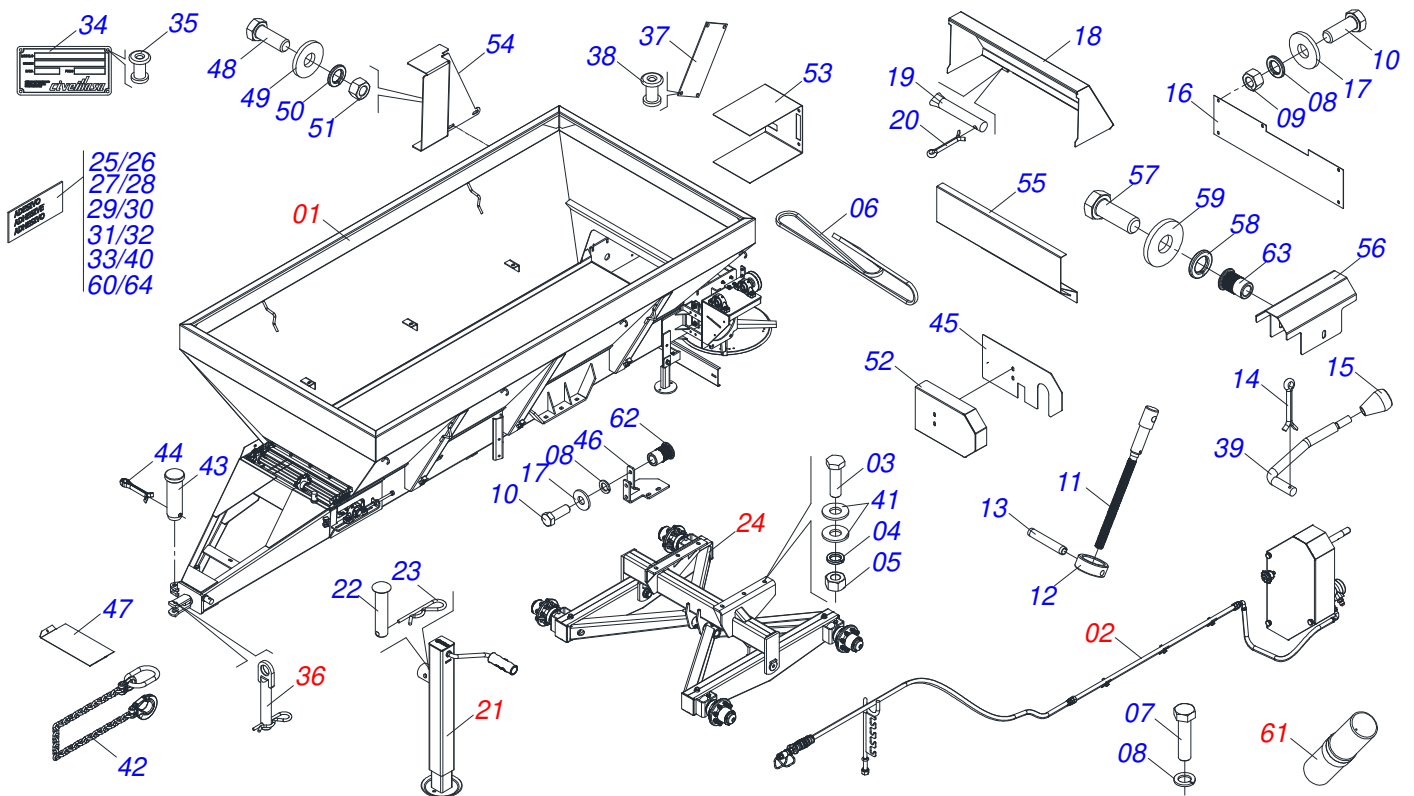


INDEX

0909096629	ASSY FRAME	1
0521046051	COMPLETE CHASSIS WITH HYDRAULIC DRIVE	2
0511058380	SEMI-ASSEMBLED BUCKET WITH DRIVE	3
0511059105	SLUICE VALVE SUPPORT	4
0511059094	SHAFT BEARING THREADED	5
0511059108	SLUICE VALVE COVER ASSY	6
0501047985	REDUCER	7
0501051774	38Z CROWN	8
0501054013	RIGHT BEARRING SUPPORT DISC	9
0501048000	AGRICULTURAL BEARING	10
0501053871	DISTRIBUTOR LEFT DISC ASSY	11
0501053870	DISTRIBUTOR RIGHT DISC ASSY	12
0511041213	AGRICULTURAL BEARING	13
0531050089	FULL DISK PROTECTOR	14
0501044308	AGRICULTURAL BEARING ASSY	15
0501053868	BELT TENSIONER ASSY	16
0521058120	SIMPLE HYDRAULIC ACTUATION HOSE SET	17
0503062157	DRAWBAR JACK	18
0511040826	ROCKER ARM SUPPORT	19
0501051142	CARRYING WHEEL HUB	20
0501047881	AXIS JOINT ASSY	21
0531051123	CATALOGUE/MANUAL CANISTER ASSY	22
0503060181	WHEEL AND TIRE	23

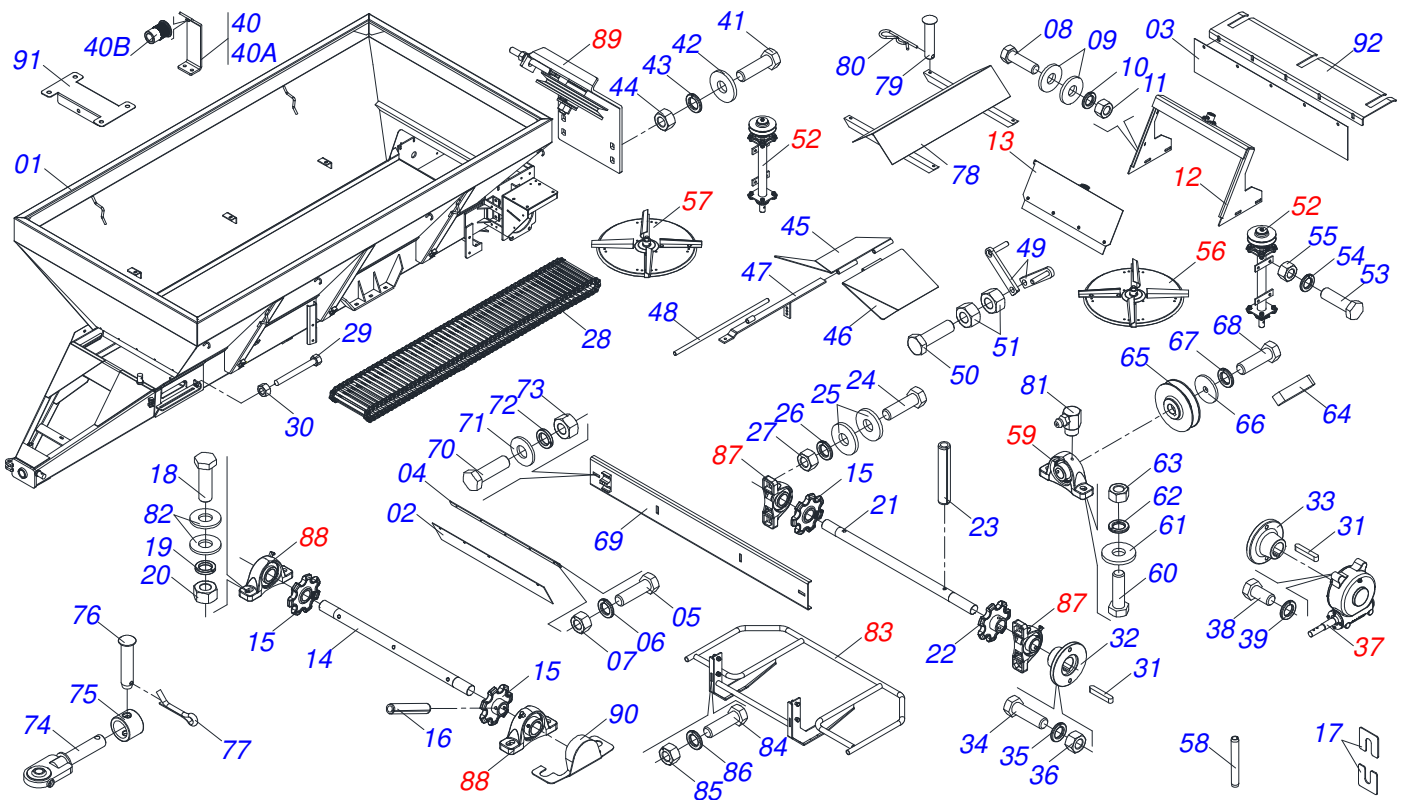


Item	Code	Description	See page	QT
01	0521046051	COMPLETE CHASSIS WITH HYDRAULIC DRIVE	2	01
02	0503060181	WHEEL AND TIRE	23	04



Item	Code	Description	See page	QT
01	0511058380	SEMI-ASSEMBLED BUCKET WITH DRIVE	3	01
02	0521058120	SIMPLE HYDRAULIC ACTUATION HOSE SET	17	01
03	0503010899	5/8 UNC X 2.1/4 BOLT		06
04	0503010027	5/8 SPRING WASHER		06
05	0503010013	5/8 NUT		06
06	0503012941	C-148 BELT		01
07	0503010751	C3/8" X 1.1/4" HEX BOLT G.5		02
08	0503010025	3/8 SPRING WASHER		13
09	0503010026	3/8" NUT		11
10	0503010237	3/8" X 1" BOLT		13
11	0561014861	REGULATOR		01
12	0511013015	SLEEVE		01
13	0503010561	SPRING PIN		01
14	0503010257	1/8" X 1" COTTERPIN		01
15	0503030878	LEVER CRANK		01
16	0531014340	REAR PROTECTION		01
17	0501010984	10,50 X 27 X 3,00 FLAT WASHER		16
18	0511063408	REAR COVER PROTECTION		01
19	0501017574	0.3" X 2.7" AXLE		02
20	0503010140	1/8" X 3/4" COTTERPIN		02
21	0503062157	DRAWBAR JACK	18	01
22	0521010549	COUPLING SHAFT		01
23	0503030168	HITCH PIN CLIP		01
24	0511040826	ROCKER ARM SUPPORT	19	01
25	0503031859	ADHESIVE LABEL DANGER		02
26	0503031428	READ MANUAL DECAL		01
27	0503031827	LUBRICATE AND RETIGHTEN DAILY DECAL		01
28	0503033647	APPROVED BADGE		01
29	0503031818	ADHESIVE LABEL		01
30	0503031809	ADHESIVE LABEL		01
31	0503032425	ADHESIVE LABEL ATTENTION		01

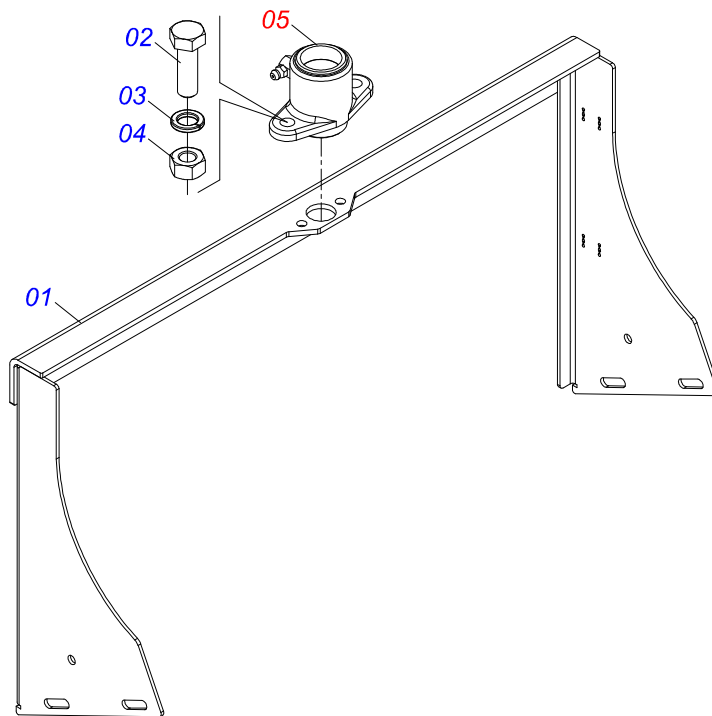
Item	Code	Description	See page	QT
32	0503032949	ADHESIVE LABEL		01
33	0503034150	BADGE		02
34	0503034004	ALUMINUM IDENTIFICATION LABEL		01
35	0503010001	3.2 X 5.5 RIVET		04
36	0501047881	AXIS JOINT ASSY	21	01
37	0503030751	REGULATOR PLATE		01
38	0503012209	RIVET POP		04
39	0521011107	CRANK BODY		01
40	0503034151	BADGE		05
41	0501012140	FLAT WASHER		12
42	0503013150	1300 X 3/8 CHAIN		01
43	0581011220	COUPLING SHAFT		01
44	0503010131	3/16" X 1-1/2" COTTERPIN		01
45	0591016127	SIDE PROTECTION BELT COVER		02
46	0591016126	FIXING BODY SIDE PROTECTION BELT		01
47	0581013215	FRONT PROTECTION		01
48	0503010849	3/8" X 1-1/2" BOLT		06
49	0501010984	10,50 X 27 X 3,00 FLAT WASHER		08
50	0503010025	3/8 SPRING WASHER		06
51	0503010026	3/8" NUT		06
52	0591016128	SIDE PROTECTION BELT		01
53	0581017453	FLANGE PROTECTION COVER		01
54	0581017469	PROTECTION SIDE		01
55	0521068794	BELT INTERNAL PROTECTION		01
56	0581015152	COVER PROTECTION		01
57	0503010240	BOLT		02
58	0503010179	LOCK WASHER 5/16 ZN 1K01528		02
59	0501010984	10,50 X 27 X 3,00 FLAT WASHER		02
60	0503034648	ADHESIVE LABEL		01
61	0531051123	CATALOGUE/MANUAL CANISTER ASSY	22	01
62	0503019413	THREAD SCREW INTERNAL		04
63	0503019416	RIVET SCREW THREAD INTERNAL		02
64	0503035156	LABEL ADHESIVE		01



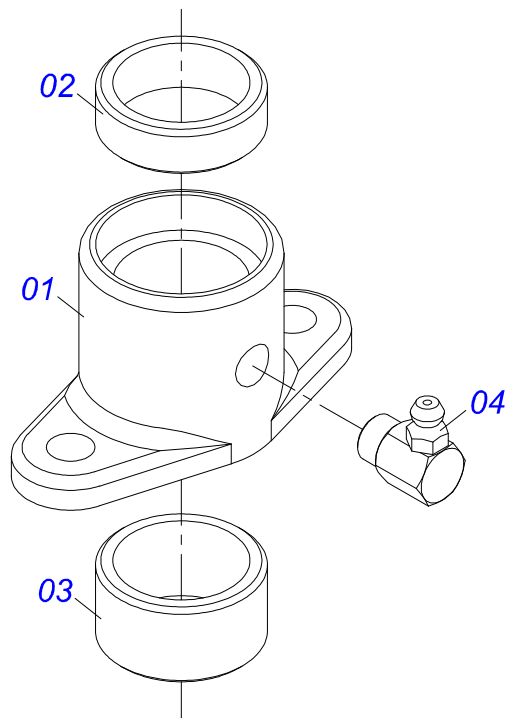
Item	Code	Description	See page	QT
01	0521063369	FRAME		01
02	0531014336	31.4"X3.1"X 0.1" PROTECTION SMALLER		01
03	0531014337	PROTECTION LARGER		02
04	0531014331	SLUICE VALVE FIXER COVER		01
05	0503010237	3/8" X 1" BOLT		11
06	0503011443	3/8" SPRING WASHER		11
07	0503010026	3/8" NUT		11
08	0503010751	C3/8" X 1.1/4" HEX BOLT G.5		04
09	0501010984	10,50 X 27 X 3,00 FLAT WASHER		08
10	0503011443	3/8" SPRING WASHER		04
11	0503010026	3/8" NUT		04
12	0511059105	SLUICE VALVE SUPPORT	4	01
13	0511059108	SLUICE VALVE COVER ASSY	6	01
14	0591016382	DRIVEN AXLE		01
15	0591016380	GEAR		03
16	0503010361	SPRING PIN		03
17	0501010794	HIDR CHOCK REGULATOR		04
18	0503010233	5/8" X 2-1/2" BOLT		04
19	0503011445	SPRING WASHER		04
20	0503010013	5/8 NUT		04
21	0591016381	DRIVING AXLE		01
22	0591016380	GEAR		01
23	0503010361	SPRING PIN		01
24	0503010740	BOLT 1/2 UNC X 2 CS G.5 ZN		04
25	0511017302	FLAT WASHER 13,50 X 32,50 X 3,0 ZN		04
26	0503011440	SPRING WASHER		04
27	0503010060	1/2 UNC G.5 ZN HEX NUT		04
28	0511063406	DRIVE THE TRANSPORT TALISCA		01
29	0501067853	ROD STABILIZER		02
30	0503010013	5/8 NUT		02
31	0501010540	KEYWAY SQUARE		02

Item	Code	Description	See page	QT
32	0511016540	MAT COUPLING FLANGE		01
33	0511016541	REDUCTION COUPLING FLANGE		01
34	0503010849	3/8" X 1-1/2" BOLT		02
35	0503011443	3/8" SPRING WASHER		02
36	0503010026	3/8" NUT		02
37	0501047985	REDUCER	7	01
38	0503011167	M16 X 2 X 30 BOLT		04
39	0503011445	SPRING WASHER		04
40	0531057279	BACK COVER FIXER		01
40A	0531015158	BACK COVER FIXER BODY		01
40B	0503019414	THREAD RIVET		01
41	0503010238	BOLT 1/2 UNC X 1.3/4 CS G.2 ZN		04
42	0511017302	FLAT WASHER 13,50 X 32,50 X 3,0 ZN		04
43	0503011440	SPRING WASHER		04
44	0503010060	1/2 UNC G.5 ZN HEX NUT		04
45	0511063659	RIGHT FLOW DIVIDING		01
46	0511063660	LEFT FLOW DIVIDING		01
47	0531061725	REAR DEFLECTOR SUPPORT		01
48	0531015309	TENSIONER OPEN		01
49	0531061722	DIVIDER OPENING REGULATOR		02
50	0503010849	3/8" X 1-1/2" BOLT		01
51	0503010026	3/8" NUT		02
52	0501054013	RIGHT BEARRING SUPPORT DISC	9	02
53	0503010920	1/2 UNC X 1.1/2 C S G.5 ZN BOLT		08
54	0503011440	SPRING WASHER		08
55	0503010060	1/2 UNC G.5 ZN HEX NUT		08
56	0501053871	DISTRIBUTOR LEFT DISC ASSY	11	01
57	0501053870	DISTRIBUTOR RIGHT DISC ASSY	12	01
58	0503010361	SPRING PIN		02
59	0511041213	AGRICULTURAL BEARING	13	02
60	0503010740	BOLT 1/2 UNC X 2 CS G.5 ZN		04
61	0511017302	FLAT WASHER 13,50 X 32,50 X 3,0 ZN		04
62	0503011440	SPRING WASHER		04
63	0503010060	1/2 UNC G.5 ZN HEX NUT		04
64	0501010536	KEYWAY SQUARE		01
65	0502011361	REEL 1C 5.5" X 1.1" PULLEY		01
66	0511014052	FLAT WASHER		01
67	0503011446	SPRING WASHER		01
68	0503010355	7/16" X 1" BOLT		01
69	0531061723	BUMPER WITH CLIP		01
70	0503010920	1/2 UNC X 1.1/2 C S G.5 ZN BOLT		02
71	0511017302	FLAT WASHER 13,50 X 32,50 X 3,0 ZN		06
72	0503011440	SPRING WASHER		02
73	0503010060	1/2 UNC G.5 ZN HEX NUT		02
74	0521068793	TRACTOR TRACTOR		01
75	0521010681	BUSHING COUPLING BODY		01
76	0521010639	COUPLING SHAFT		01
77	0503010571	1/4" X 1.1/2 COTTERPIN		01
78	0511063658	DEFLECTOR		01
79	0521017623	0.5" X 1.5" COUPLING SHAFT		04
80	0503030168	HITCH PIN CLIP		04
81	0503011098	1/4" GREASE FITTING		04
82	0501012140	FLAT WASHER		08
83	0531050089	FULL DISK PROTECTOR	14	01
84	0503011267	5/8 UNC X 1.1/2 C S G.5 ZN BOLT		02
85	0503010013	5/8 NUT		02
86	0503011445	SPRING WASHER		02
87	0501044308	AGRICULTURAL BEARING ASSY	15	02
88	0501044308	AGRICULTURAL BEARING ASSY	15	02

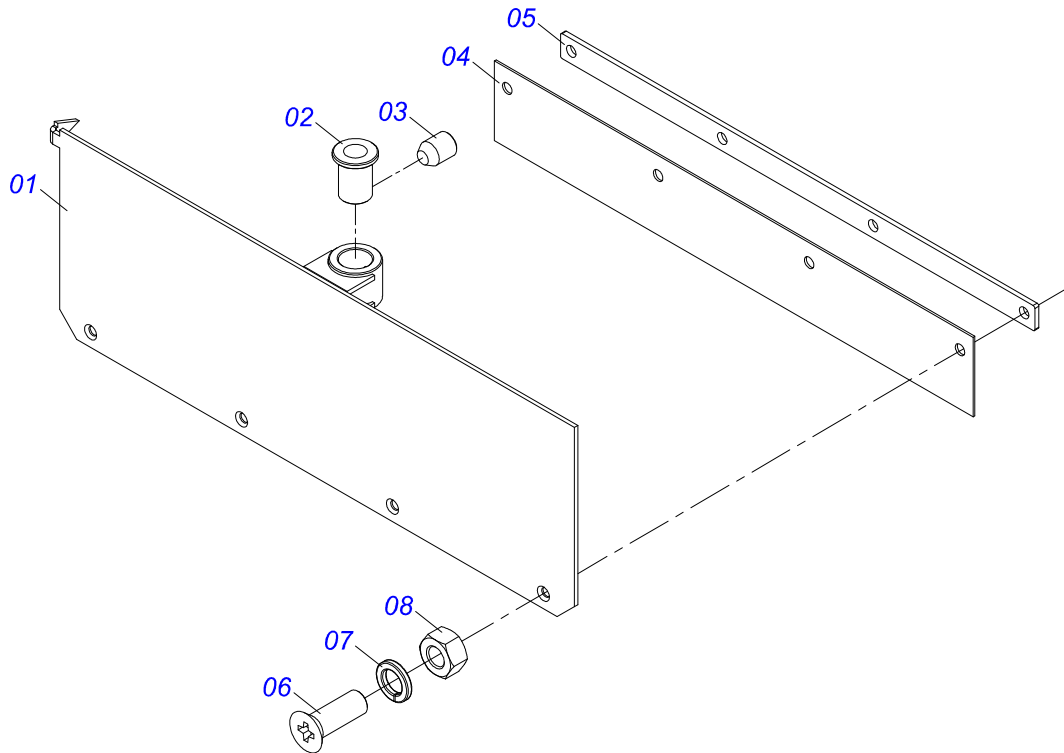
Item	Code	Description	See page	QT
89	0501053868	BELT TENSIONER ASSY	16	01
90	0521068822	BEARING PROTECTION		03
91	0521068109	FIXER PROTECTION COVER		01
92	0531014324	TOOTH COVER		01



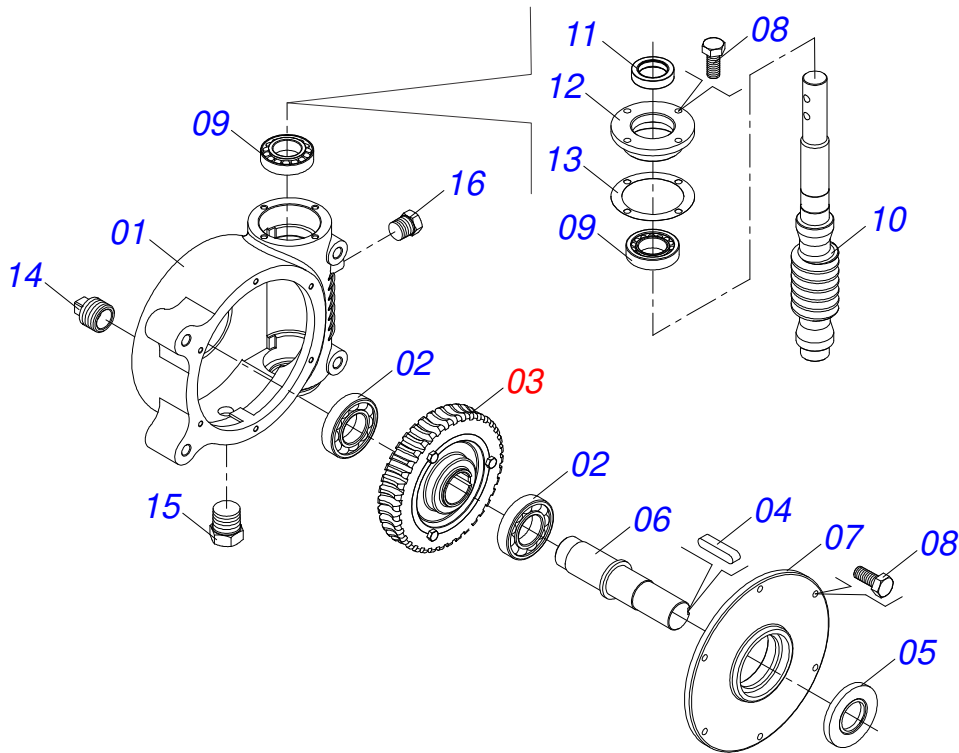
Item	Code	Description	See page	QT
01	0511063410	SLUICE VALVE SUPPORT		01
02	0503010363	BOLT 5/16 UNC X 1 C S G.2 ZN		02
03	0503011444	SPRING WASHER		02
04	0503010337	5/16" NUT		02
05	0511059094	SHAFT BEARING THREADED	5	01



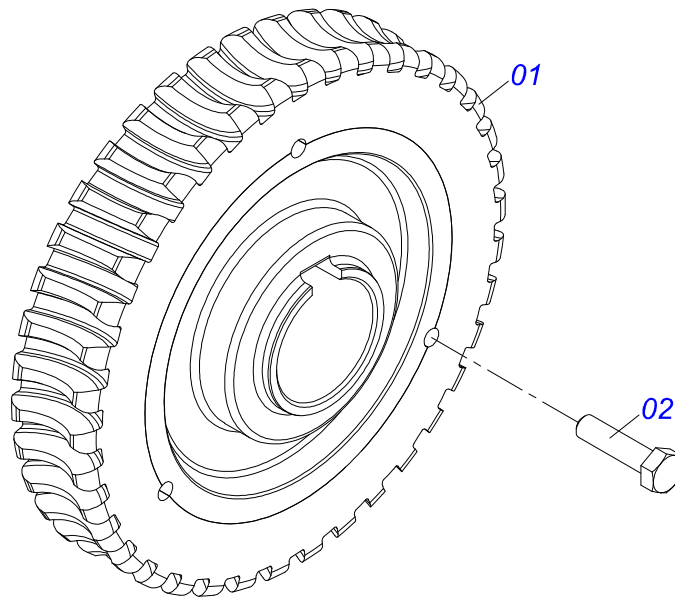
Item	Code	Description	See page	QT
01	0502010581	ROD BEARING		01
02	0521010458	SLEEVE		01
03	0521010457	SLEEVE		01
04	0503010004	1890 GREASE FITTING		01



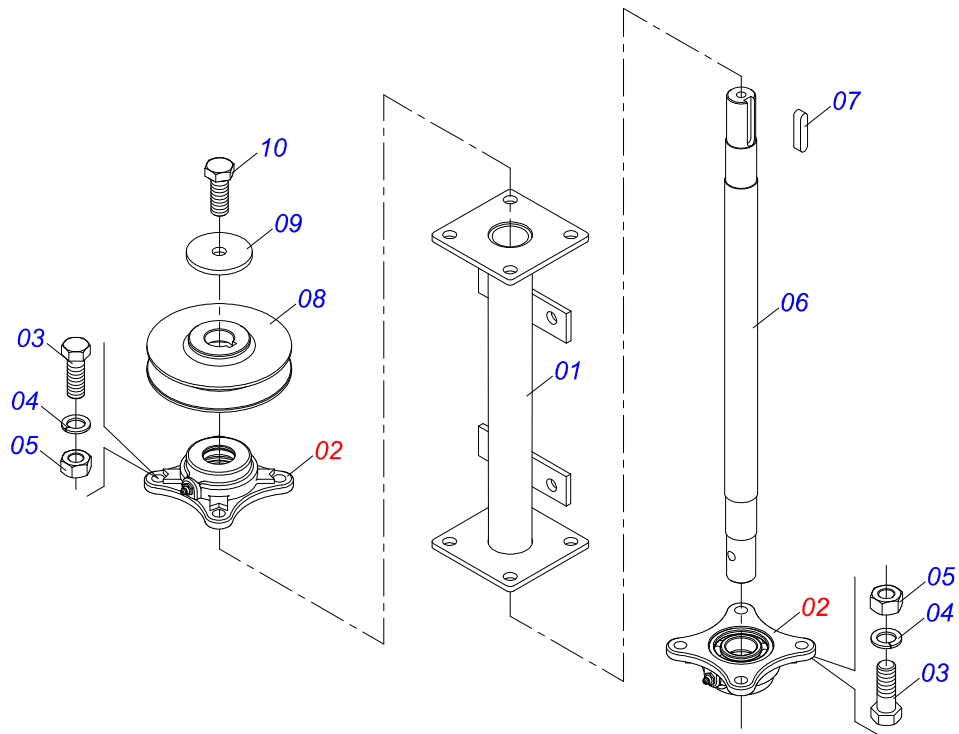
Item	Code	Description	See page	QT
01	0511063413	SLUICE VALVE COVER		01
02	0501019831	ADJUSTING NUT		01
03	0503011148	3/8" X 1/2" BOLT		01
04	0531014336	31.4"X3.1"X 0.1" PROTECTION SMALLER		01
05	0531014331	SLUICE VALVE FIXER COVER		01
06	0503010546	5/16" X 7/8" BOLT		05
07	0503011444	SPRING WASHER		05
08	0503010337	5/16" NUT		05



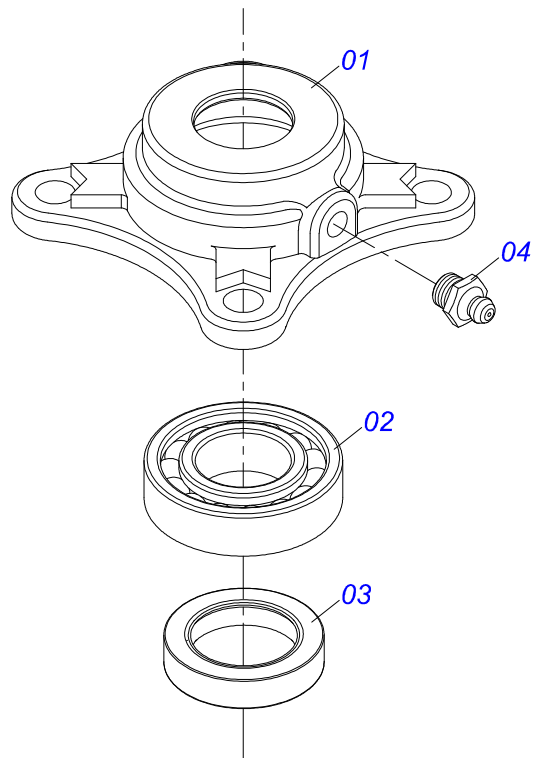
Item	Code	Description	See page	QT
01	0502011456	REDUCTION BOX		01
02	0503011095	6208 BALL BEARING		02
03	0501051774	38Z CROWN	8	01
04	0503011304	1/2" X 2.4" KEYWAY SQUARE		01
05	0503010818	02675-BRG SEAL		01
06	0521010996	AXLE		01
07	0502020556	LARGER COVER		01
08	0503010240	BOLT		10
09	0503010016	BEARING LM		02
10	0521010997	SCREW THEAD		01
11	0503011171	00912-BRG SEAL		01
12	0502011457	SMALLER COVER		01
13	0503030981	102 X 75,5 X 0,10 JOINT		01
14	0521011023	PLUG		01
15	0513010009	LEVEL DISPLAY		01
16	0503010856	OIL PLUG		01



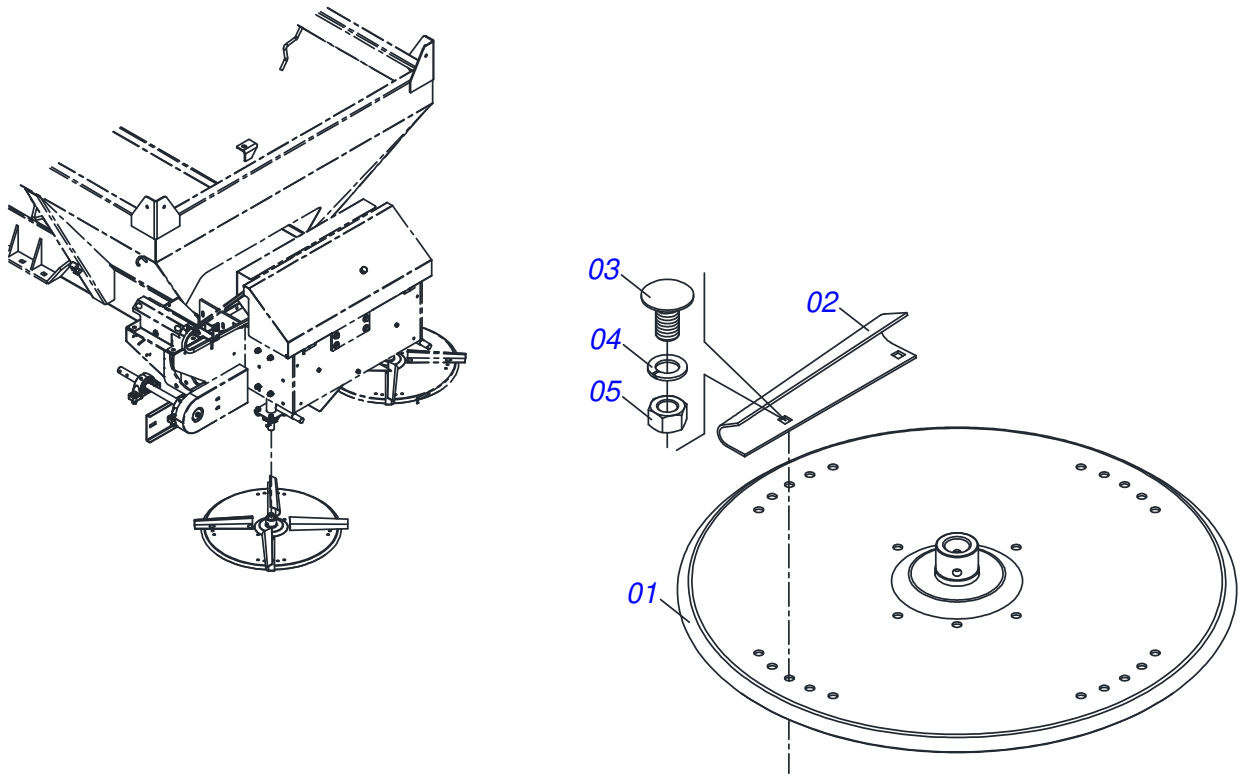
Item	Code	Description	See page	QT
01	0501110280	38Z CONICAL		01
02	0503010365	BOLT 5/16 UNC X 1.1/4 C S G.5 ZN		03



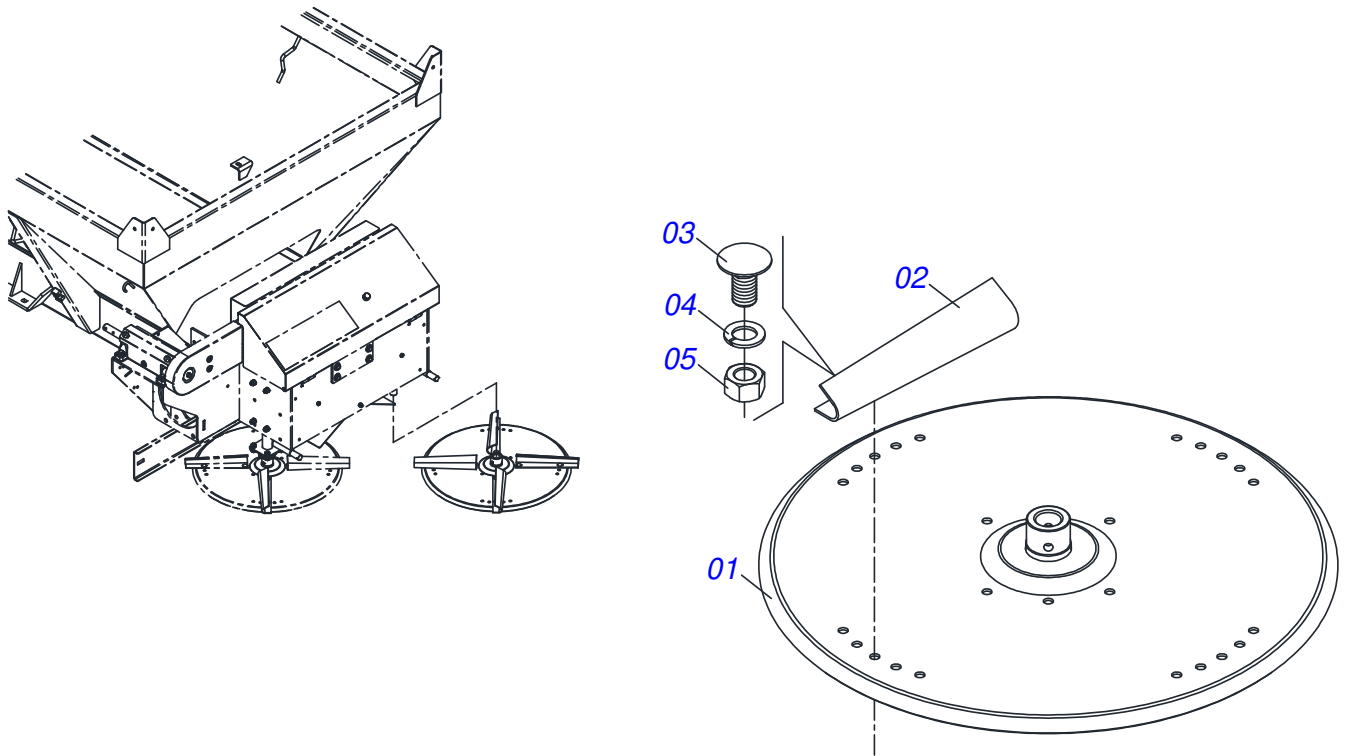
Item	Code	Description	See page	QT
01	0511063742	DISTRIBUTOR RIGHT/LEFT SUPPORT		01
02	0501048000	AGRICULTURAL BEARING	10	02
03	0503011135	BOLT		08
04	0503011446	SPRING WASHER		08
05	0503010244	7/16" NUT		08
06	0511016489	DISTRIBUTOR AXLE CONDUCTOR DISC		01
07	0501010536	KEYWAY SQUARE		01
08	0502011361	REEL 1C 5.5" X 1.1" PULLEY		01
09	0511014052	FLAT WASHER		01
10	0503010237	3/8" X 1" BOLT		01



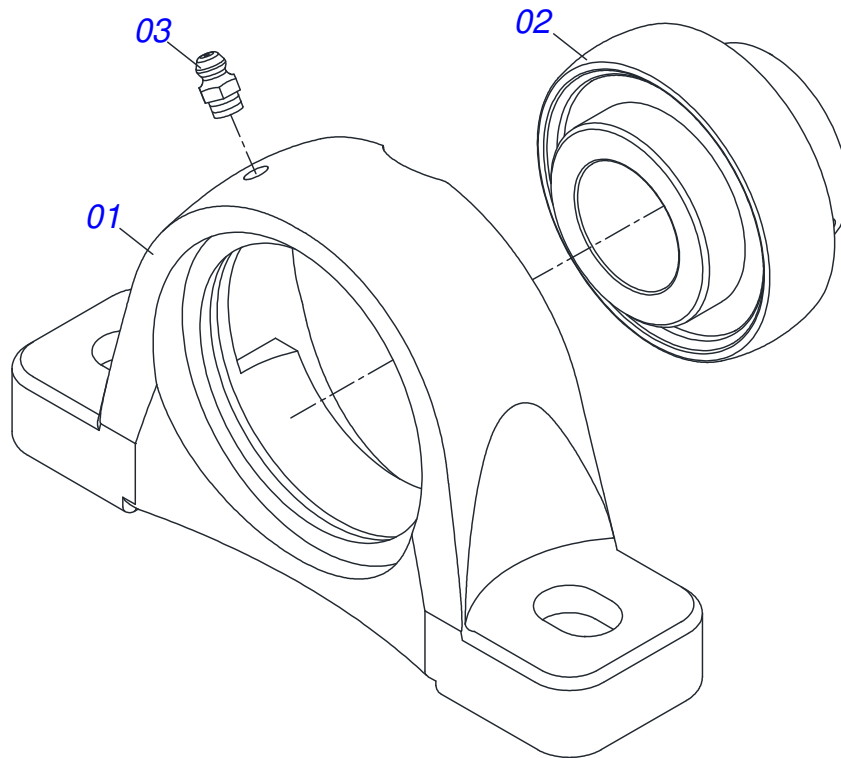
Item	Code	Description	See page	QT
01	0502011442	AGRICULTURAL HOUSING BEARING		01
02	0503010276	6206 BALL BEARING		01
03	0503011865	SEAL		01
04	0503010002	1800 GREASE FITTING		01



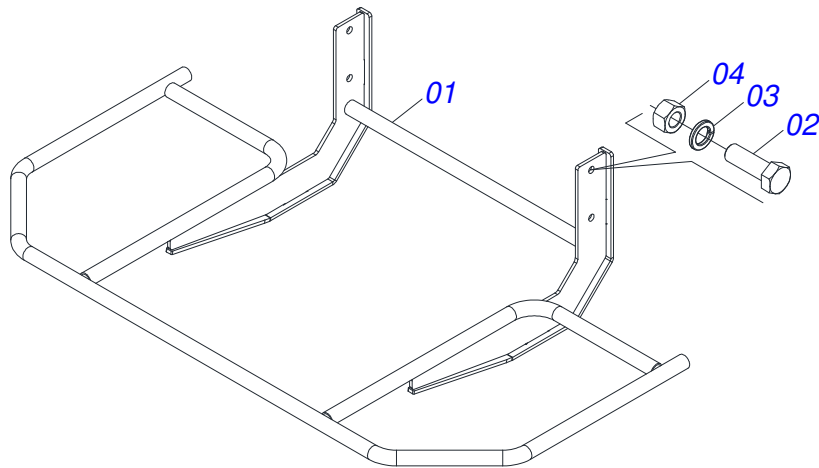
Item	Code	Description	See page	QT
01	0511063411	DISTRIBUTOR DISC		01
02	0531014344	LH FLIP		04
03	0503013029	3/8" X 3/4" BOLT		08
04	0503011443	3/8" SPRING WASHER		08
05	0503010026	3/8" NUT		08



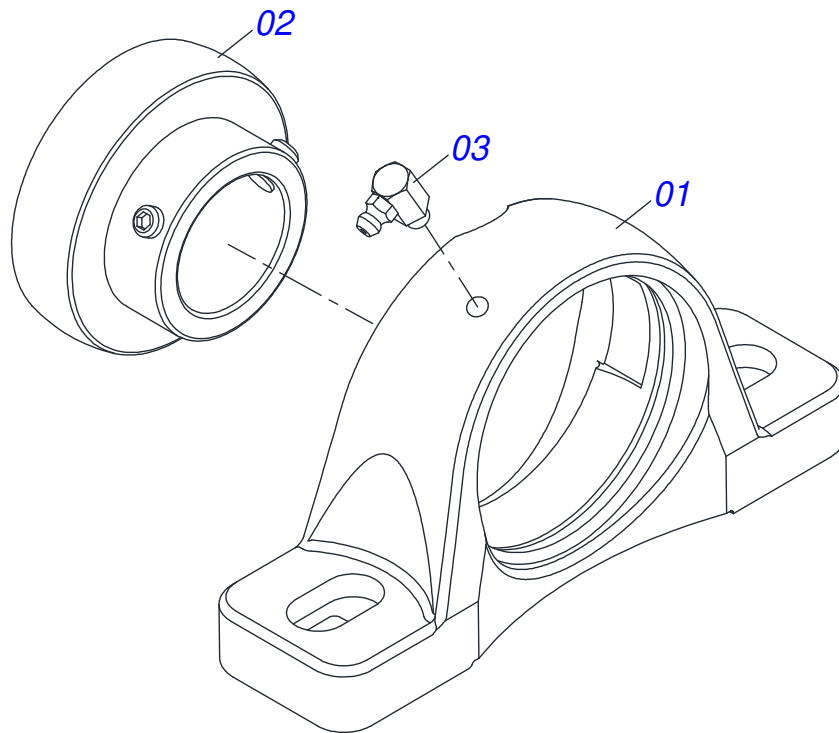
Item	Code	Description	See page	QT
01	0511063411	DISTRIBUTOR DISC		01
02	0531014343	RH FLIP		04
03	0503013029	3/8" X 3/4" BOLT		08
04	0503011443	3/8" SPRING WASHER		08
05	0503010026	3/8" NUT		08



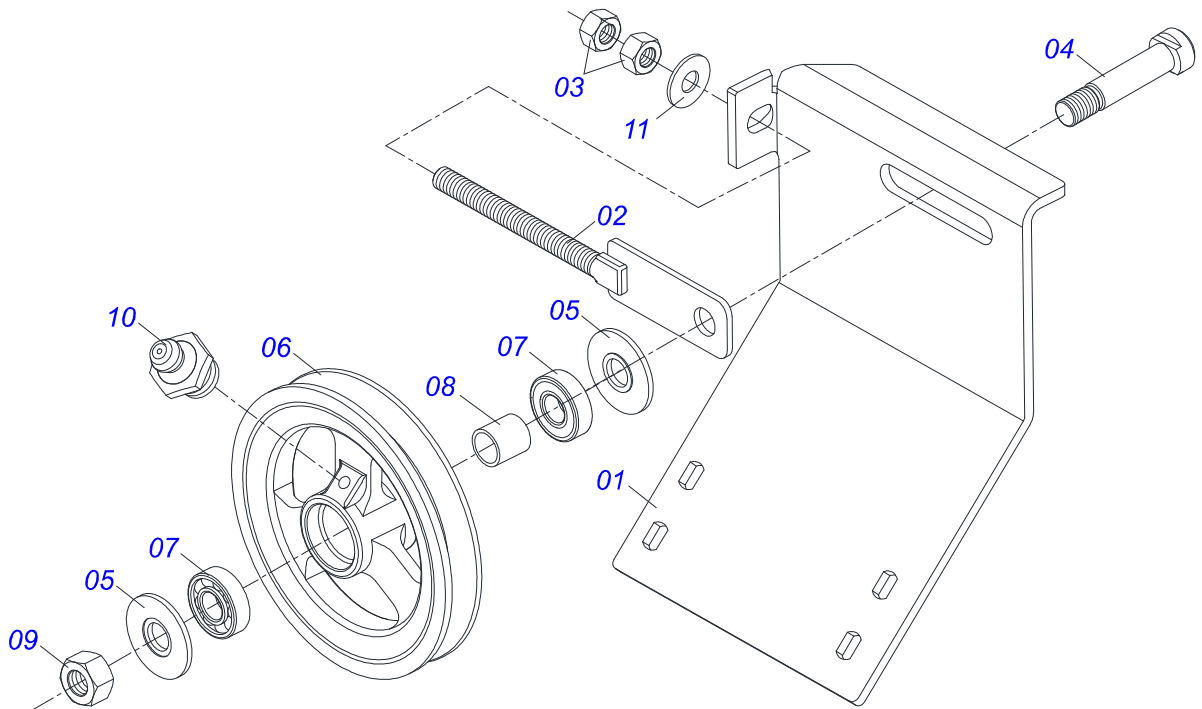
Item	Code	Description	See page	QT
01	0502011954	AGRICULTURAL HOUSING BEARING		01
02	0503011884	BALL BEARING		01
03	0503010691	1/4" GREASE FITTING		01



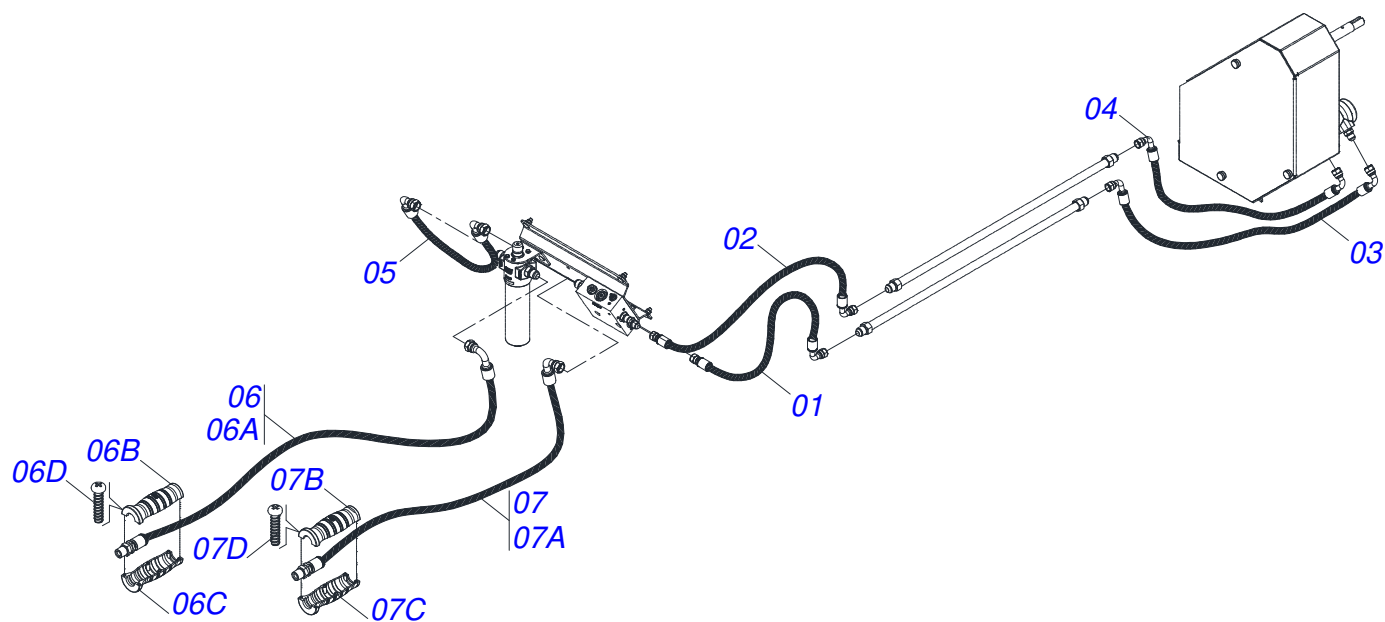
Item	Code	Description	See page	QT
01	0531061724	DISK PROTECTOR		01
02	0503010920	1/2 UNC X 1.1/2 C S G.5 ZN BOLT		04
03	0503011440	SPRING WASHER		04
04	0503010060	1/2 UNC G.5 ZN HEX NUT		04



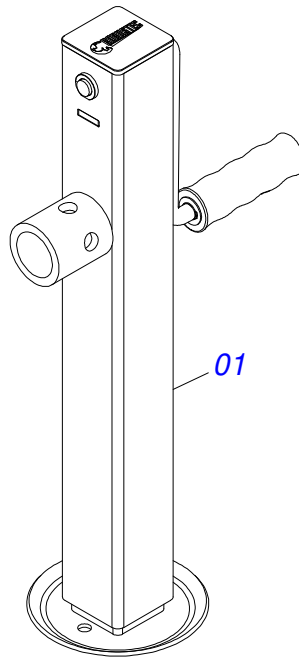
Item	Code	Description	See page	QT
01	0502011050	AGRICULTURAL HOUSING BEARING		01
02	0503011163	1108/UCR BEARING ASSY		01
03	0503010004	1890 GREASE FITTING		01



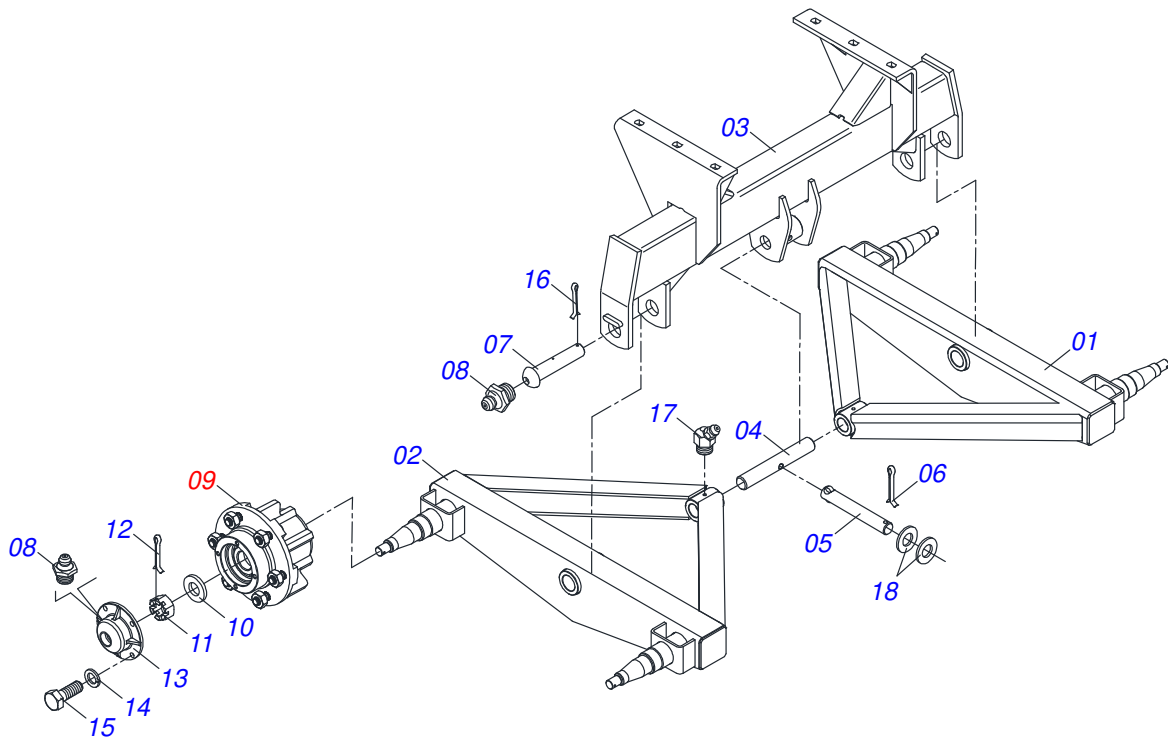
Item	Code	Description	See page	QT
01	0531014326	PULLEY BODY SUPPORT		01
02	0511064818	PULLEY TENSIONER		01
03	0503010013	5/8 NUT		02
04	0511012362	TIGHTENER AXLE PULLEY		01
05	0501019288	WASHER SPACER		02
06	0502011366	REEL 1C 8.3" X 1.6" PULLEY		01
07	0503010690	6204 BALL BEARING		02
08	0521010497	0.8" X 1.1" X 1.1" SPACER		01
09	0503010014	3/4" HEX NUT		01
10	0503010002	1800 GREASE FITTING		01
11	0501012140	FLAT WASHER		01



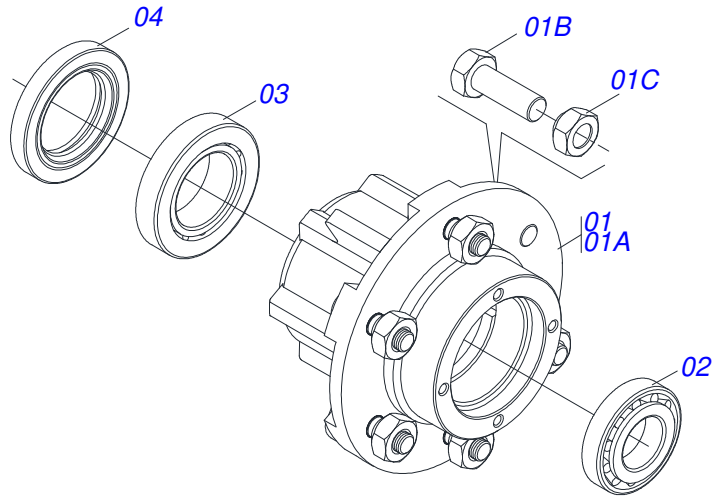
Item	Code	Description	See page	QT
01	0501081235	1/2 X 650 TR- TC HOSE		01
02	0501080218	1/2 X 750 HOSE		01
03	0501082303	HOSE 1/2 X 930 TC-TC 90G		01
04	0501082304	1/2 X 1000 TR-TC HOSE		01
05	0501081365	HOSE 3/4 X 680 TC-TC 180G		01
06	0521057977	HOSE 3/4 X 2100 TC-TM AMARILLO/AZUL		01
06A	0501082295	HOSE 3/4 X 2100 TC - TM R.1/2NPT		01
06B	0503034493	HYDRAULIC HOSE DEPTH (YELLOW)		01
06C	0503034494	HYDRAULIC HOSE GRIP (BLUE)		01
06D	0503018952	PLASTIC BOLT		06
07	0521057976	HOSE 3/4 X 2100 TC-TM YELLOW/RED		01
07A	0501082295	HOSE 3/4 X 2100 TC - TM R.1/2NPT		01
07B	0503034493	HYDRAULIC HOSE DEPTH (YELLOW)		01
07C	0503034495	HYDRAULIC HOSE GRIP (RED)		01
07D	0503018952	PLASTIC BOLT		06



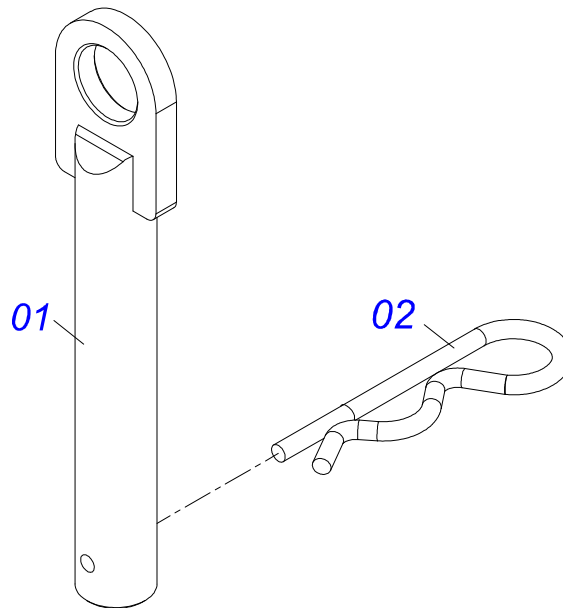
Item	Code	Description	See page	QT
01	0503062157	DRAWBAR JACK	18	01



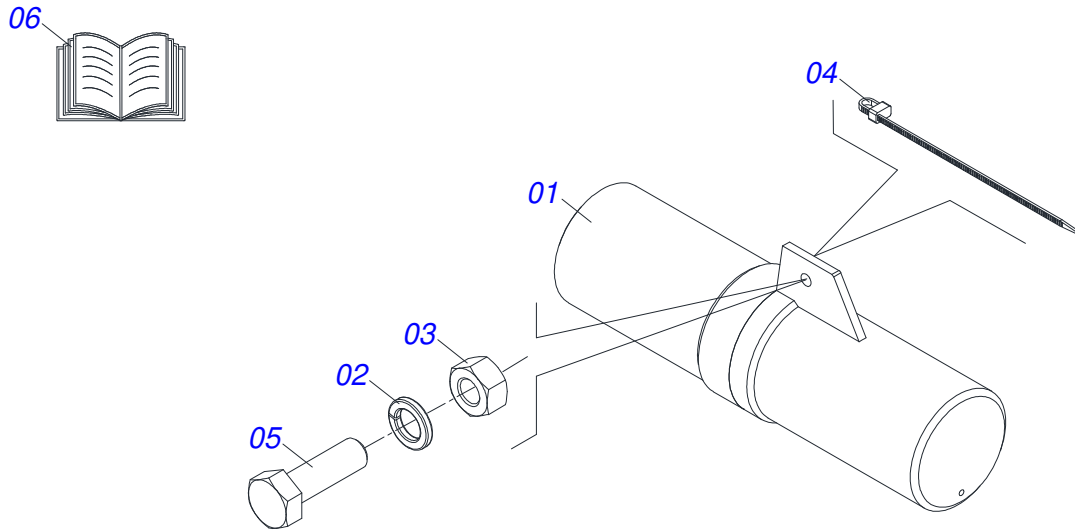
Item	Code	Description	See page	QT
01	0501069182	RIGHT ROCKER ARM		01
02	0501069183	LEFT ROCKER ARM		01
03	0511063405	BELL CRANK FIXATION SUPPORT		01
04	0521011118	COUPLING SHAFT		01
05	0521010553	0.5" X 3" COUPLING SHAFT		01
06	0503010257	1/8" X 1" COTTERPIN		01
07	0521010956	PIVOT SHAFT		02
08	0503010002	1800 GREASE FITTING		06
09	0501051142	CARRYING WHEEL HUB	20	04
10	0501016545	FLAT WASHER		04
11	0503030009	1" CASTLE NUT		04
12	0503010131	3/16" X 1-1/2" COTTERPIN		04
13	0502020591	PROTECCION COVER		04
14	0503011444	SPRING WASHER		16
15	0503010358	5/16" X 5/8" BOLT		16
16	0503010534	3/8 X 2-1/2 COTTERPIN		02
17	0503010003	1845 GREASE FITTING		02
18	0511017302	FLAT WASHER 13,50 X 32,50 X 3,0 ZN		02



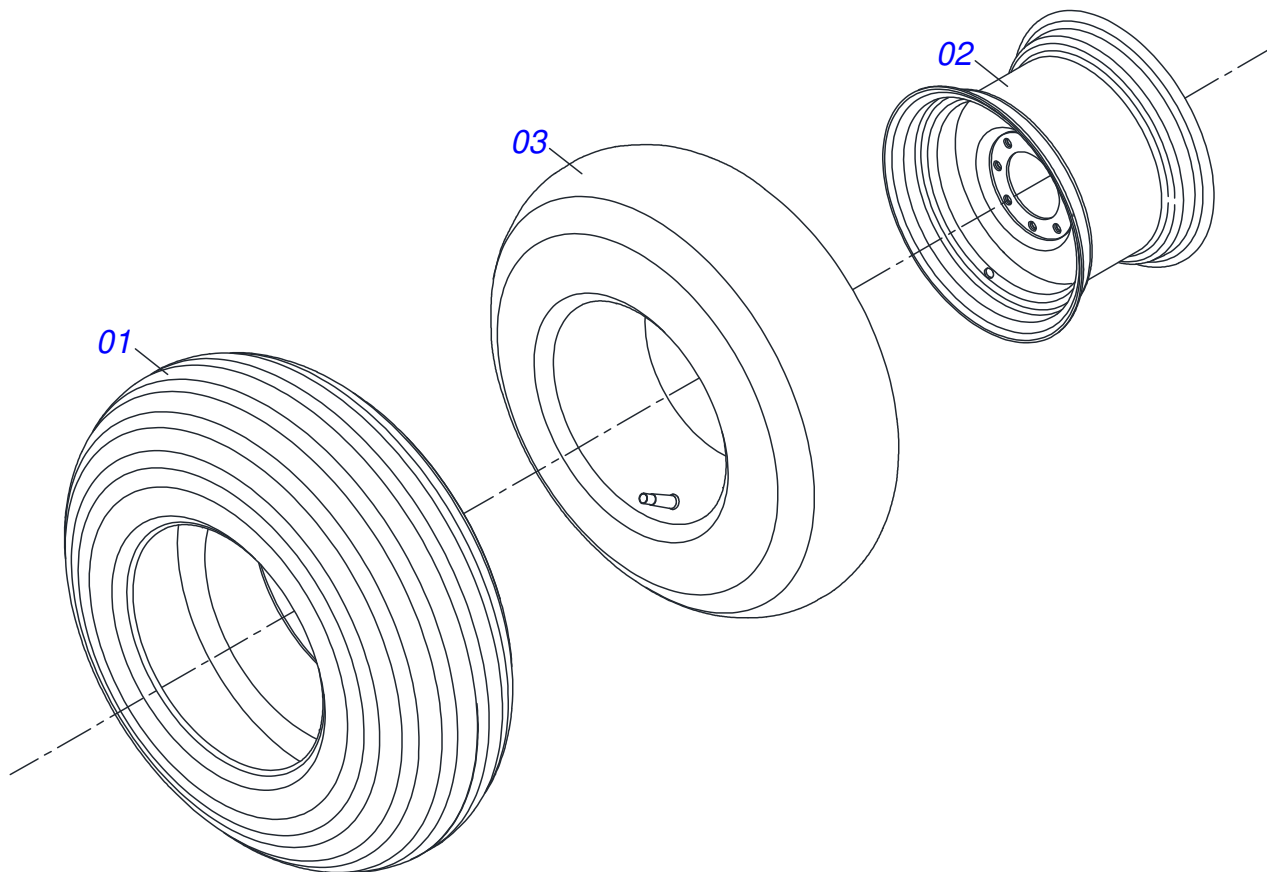
Item	Code	Description	See page	QT
01	0501110728	WHEEL HUB		01
01A	0502011121	CARRYING WHEEL HUB		01
01B	0501010127	9/16" X 1-7/8" LUG BOLT		06
01C	0503010035	9/16" CONIC NUT		06
02	0503010037	30207 ROLLER BEARING		01
03	0503010006	32210 ROLLER BEARING		01
04	0503012928	SEAL		01



Item	Code	Description	See page	QT
01	0501068989	COUPLING SHAFT		01
03	0503031035	HITCH PIN CLIP		01



Item	Code	Description	See page	QT
01	0503060100	INSTRUCTIONS MANUAL CANISTER		01
02	0503010179	LOCK WASHER 5/16 ZN 1K01528		01
03	0503010337	5/16" NUT		01
04	0503010267	NYLON CLAMP		01
05	0503010363	BOLT 5/16 UNC X 1 C S G.2 ZN		01
06	0511031524	PACKING WITH INSTRUCTION MANUAL		01



Item	Code	Description	See page	QT
01	0503010858	CANVAS TIRE		01
02	0503011468	WEEL		01
03	0503010860	AIR CHAMBER 11L 15		01



civemasa

Technical Publications | Elaboration and Revision
LUIZ CANDIDO

www.civemasa.com.br

