

LIME AND FERTILIZER SPREADER

DFCO 10.5

Code: 0501093229

Series: S-1103

Revision: 01

Revision Date: MARÇO/2022

PARTS CATALOGUE

CIVEMASA

A solid orange horizontal bar is positioned at the top left of the page, above the "PRODUCTS" heading.

PRODUCTS

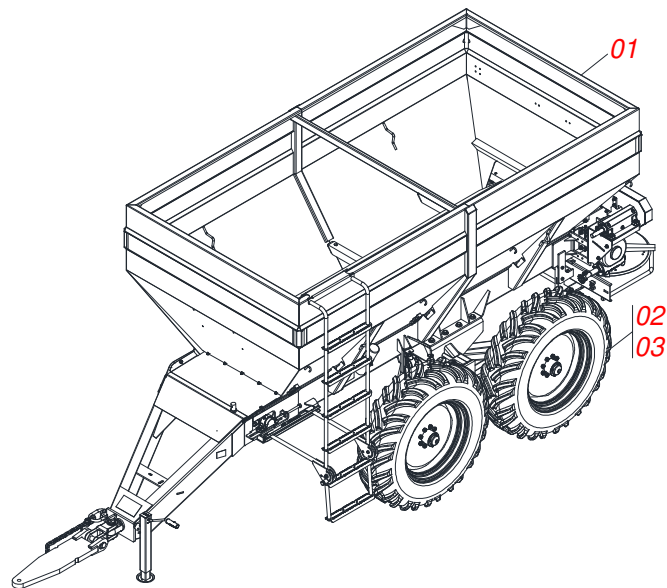
Code	Description
0120480001	DFCO 10.5 61510019 S-1103

ATTENTION: IMPORTANT

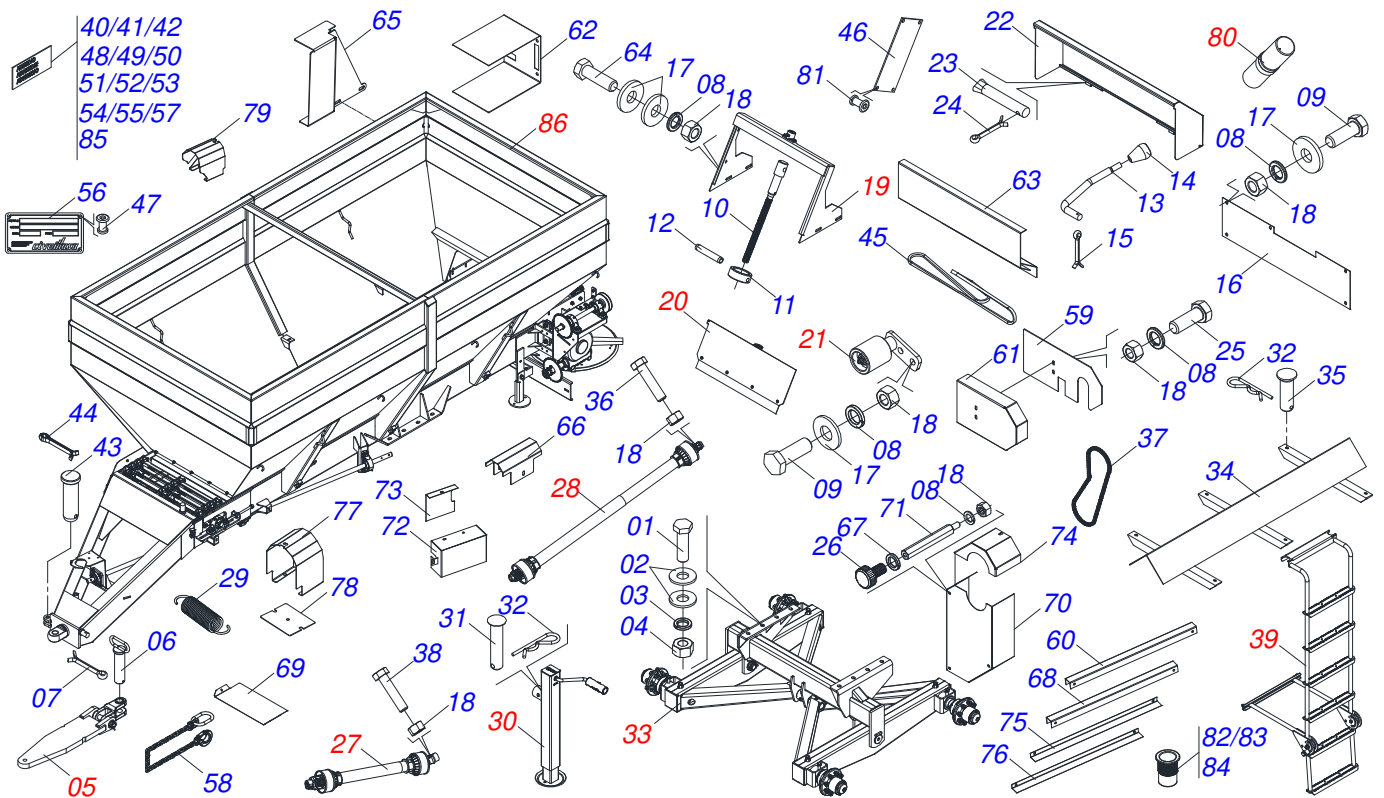
CIVEMASA reserves the right to improve and/or modify the technical features of its products, without obligation to do the same with those products already sold and without prior knowledge of the dealer or the consumer. The photos are only illustrative.

INDEX

0909095154	ASSY FRAME	1
0511052285	FRAME ASSY	2
0511059024	ENGATE TRATOR COMPLETO	3
0511059105	SLUICE VALVE SUPPORT	4
0511059094	SHAFT BEARING THREADED	5
0511059108	SLUICE VALVE COVER ASSY	6
0501050829	CHAIN TENSIONER	7
0511043330	DRIVE SHAFT	8
0501048200	DRIVE SHAFT	9
0511041110	BELL CRANK SUPPORT FIXATION	10
0501056347	CARRYING WHEELS WITHOUT TIRE	11
0511059187	ASSY LADDER	12
0531051123	CATALOGUE/MANUAL CANISTER ASSY	13
0511052286	BUCKET	14
0501044308	AGRICULTURAL BEARING ASSY	15
0511041213	AGRICULTURAL BEARING	16
0521053161	CARDAN SUPPORT WITHOUT SPRING	17
0501044306	BATH BEARING	18
0501047985	REDUCER	19
0501051774	38Z CROWN	20
0501053868	BELT TENSIONER ASSY	21
0501054013	RIGHT BEARRING SUPPORT DISC	22
0501048000	AGRICULTURAL BEARING	23
0501053870	DISTRIBUTOR RIGHT DISC ASSY	24
0501053871	DISTRIBUTOR LEFT DISC ASSY	25
0531050089	FULL DISK PROTECTOR	26
0511059222	WHEEL WITH TIRE RIGHT SIDE	27
0511059223	WHEEL WITH LEFT SIDE TIRE	28

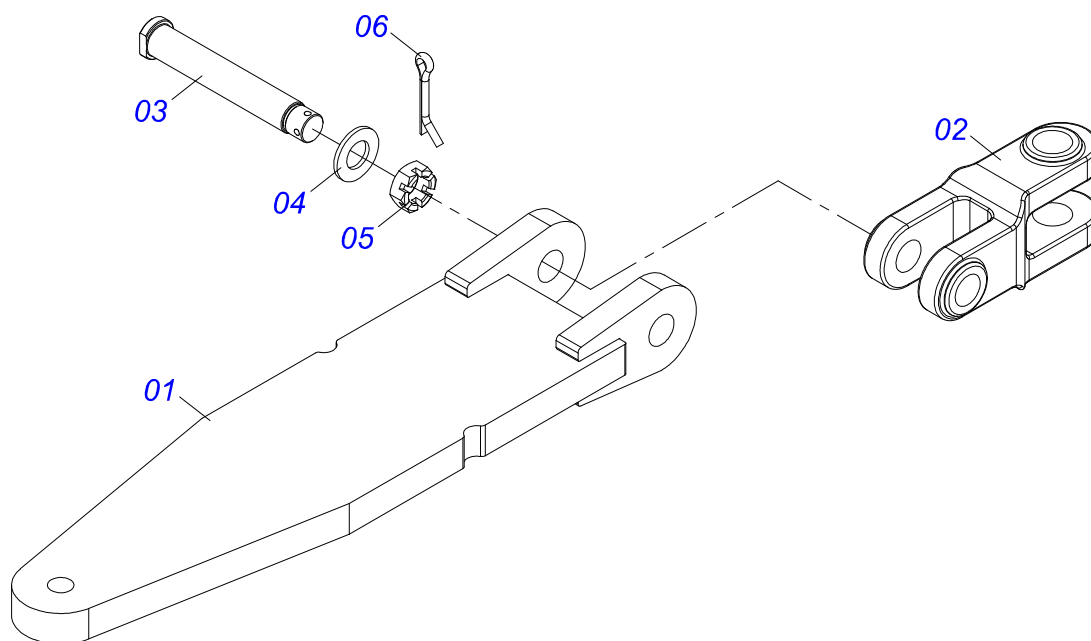


Item	Code	Description	See page	QT
01	0511052285	FRAME ASSY	2	01
02	0511059222	WHEEL WITH TIRE RIGHT SIDE	27	02
03	0511059223	WHEEL WITH LEFT SIDE TIRE	28	02

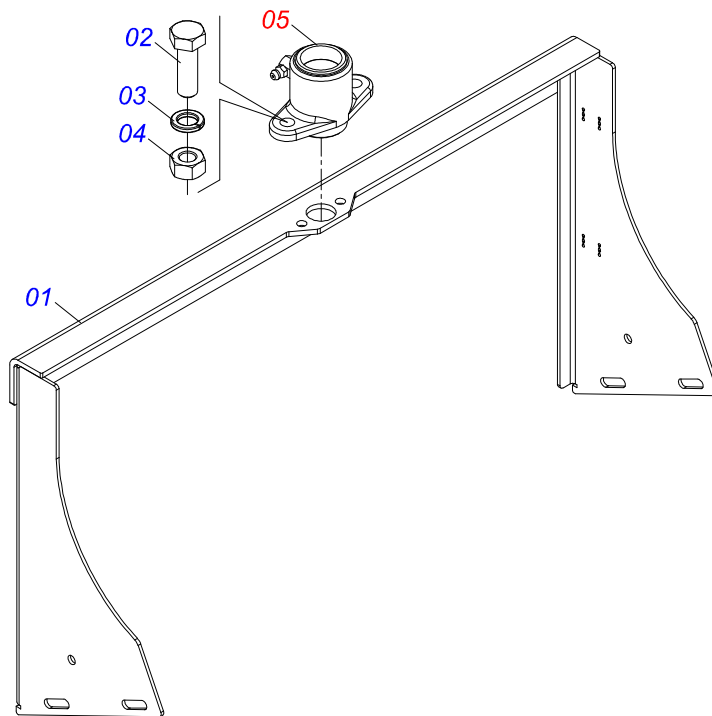


Item	Code	Description	See page	QT
01	0501010125	3/4" X 2-1/2" BOLT		08
02	0501010322	FLAT WASHER		16
03	0503010023	3/4" SPRING WASHER		08
04	0503010014	3/4" NUT		08
05	0511059024	ENGATE TRATOR COMPLETO	3	01
06	0511066176	HITCH PIN		01
07	0503010010	1/4" X 2.1/2" COTTERPIN		01
08	0503010025	3/8" SPRING WASHER		43
09	0503010237	3/8" X 1" BOLT		13
10	0561014861	REGULATOR		01
11	0511013015	SLEEVE		01
12	0503010561	SPRING PIN		01
13	0521011107	CRANK BODY		01
14	0503030878	LEVER CRANK		01
15	0503010257	1/8" X 1" COTTERPIN		01
16	0531014340	REAR PROTECTION		01
17	0501010984	FLAT WASHER		44
18	0503010026	3/8" NUT		19
19	0511059105	SLUICE VALVE SUPPORT	4	01
20	0511059108	SLUICE VALVE COVER ASSY	6	01
21	0501050829	CHAIN TENSIONER	7	01
22	0511063408	REAR COVER PROTECTION		01
23	0501017574	0.3" X 2.7" AXLE		02
24	0503010140	1/8" X 3/4" COTTERPIN		02
25	0503010256	3/8" X 3/4" BOLT		18
26	0503010386	CABLE		01
27	0511043330	DRIVE SHAFT	8	01
28	0501048200	DRIVE SHAFT	9	01
29	0503030198	0.6" X 2.4" X 0.1" EXTENSION SPRING		01
30	0503062157	HEADER JACK		01
31	0521010549	COUPLING SHAFT		01

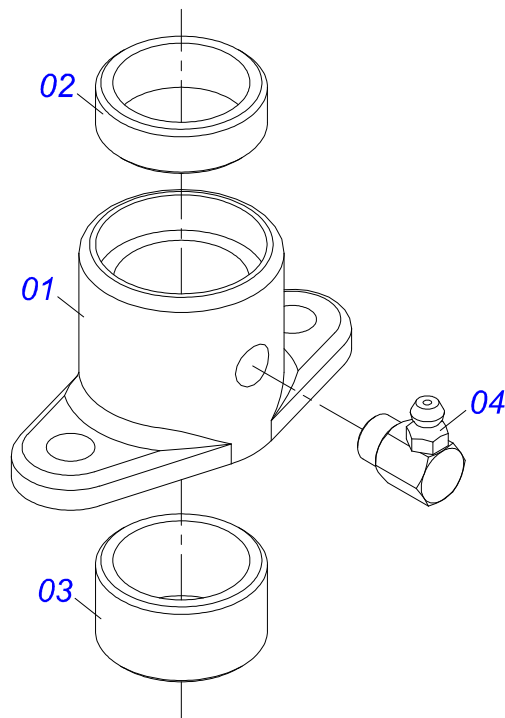
Item	Code	Description	See page	QT
32	0503030168	HAIR PIN		07
33	0511041110	BELL CRANK SUPPORT FIXATION	10	01
34	0511063853	LARGER DEFLECTOR		01
35	0521017623	0.5" X 1.5" COUPLING SHAFT		06
36	0503011268	3/8" X 2-1/2" BOLT		02
37	0503013003	50-1 CHAIN X 79 LINK + REDUCTION + MENDING		01
38	0503010765	3/8" X 3" BOLT		01
39	0511059187	ASSY LADDER	12	01
40	0503034154	BADGE DFCO 10.5		02
41	0503034155	BADGE DFCO 10.5		02
42	0503034156			02
43	0581011220	COUPLING SHAFT		01
44	0503010131	3/16" X 1-1/2" COTTERPIN		01
45	0503012941	C-148 BELT		01
46	0503030751	REGULATOR PLATE		01
47	0503010001	3.2 X 5.5 RIVET		04
48	0503031427	ADHESIVE LABEL		01
49	0503032949	ADHESIVE LABEL		01
50	0503032425	ADHESIVE LABEL ATTENTION		01
51	0503031809	ADHESIVE LABEL		01
52	0503031827	LUBRICATE AND RETIGHTEN DAILY DECAL		01
53	0503031428	READ MANUAL DECAL		01
54	0503031859	ADHESIVE LABEL DANGER		02
55	0503031818	ADHESIVE LABEL		01
56	0503034004	ALUMINUM IDENTIFICATION LABEL		01
57	0503033647	APPROVED BADGE		01
58	0503013150	1300 X 3/8 CHAIN		01
59	0521068792	COVER PROTECTION		01
60	0581017455	AXLE PROTECTION COVER		01
61	0581017450	BELT SIDE PROTECTOR		01
62	0581017453	FLANGE PROTECTION COVER		01
63	0521068794	BELT INTERNAL PROTECTION		01
64	0503010849	3/8" X 1-1/2" BOLT		06
65	0581017469	PROTECTION SIDE		01
66	0581015152	COVER PROTECTION		01
67	0503010179	LOCK WASHER		03
68	0581017458	AXLE PROTECTION COVER		01
69	0581017449	FRONT PROTECTION BELT		01
70	0581017446	CHAIN CAP		01
71	0581017496	PRISONER 3/8 UNC X 5/16 UNC X 175		03
72	0521068790	BEARING PROTECTION		01
73	0581017441	BACK COVER		01
74	0581017494	TOP PROTECTION RECAMBIO		01
75	0581017456	PROTECTION FRONT COVER		01
76	0581017457	PROTECTION FRONT COVER		01
77	0521068802	PROTECTION TOGETHER CARDAN		01
78	0581017488	LOWER PROTECTION BOARD CARDAN		01
79	0591016144	PROTECTION BOARD CARDAN		01
80	0531051123	CATALOGUE/MANUAL CANISTER ASSY	13	01
81	0503012209	RIVET POP		04
82	0503019416	RIVET SCREW THREAD INTERNAL		09
83	0503019729	THREAD SCREW INTERNAL		08
84	0503019413	THREAD SCREW INTERNAL		04
85	0503035156	LABEL ADHESIVE		01
86	0511052286	BUCKET	14	01



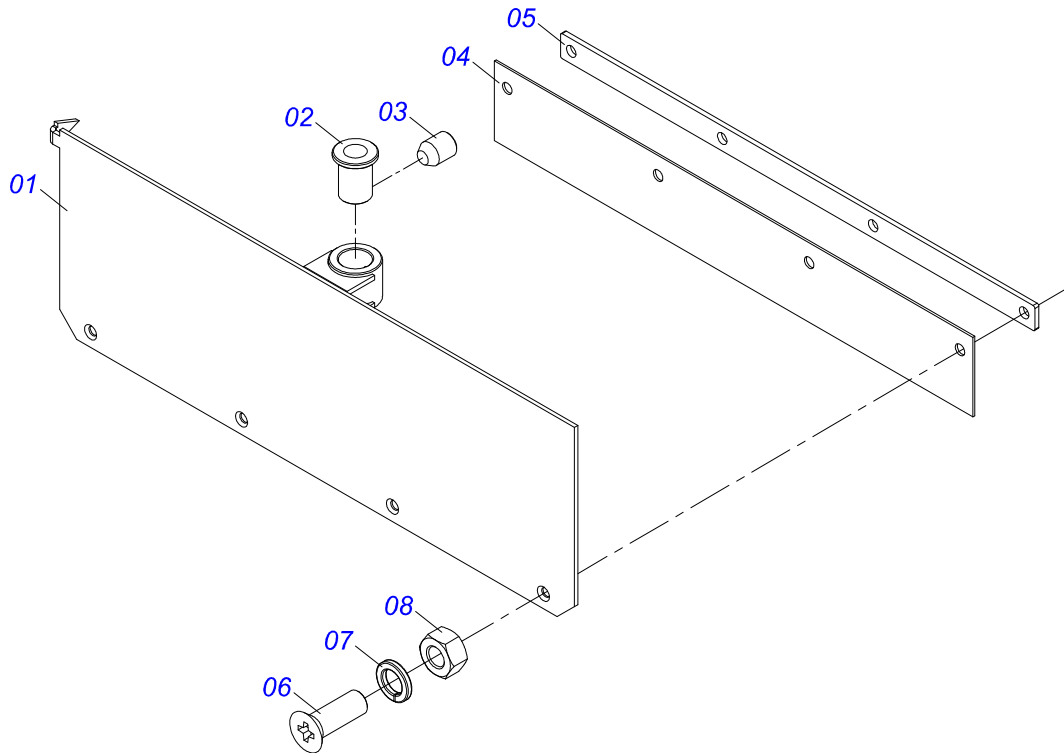
Item	Code	Description	See page	QT
01	0511066154	SEMI COUPLING		01
02	1902040330	TRACTOR HITCH		01
03	0541014957	PIN DRAG		01
04	0501017779	32 X 60 X 4.75 FLAT WASHER		01
05	0503011052	1.1/4" X 0.77" CASTLE NUT		01
06	0503010010	1/4" X 2.1/2" COTTERPIN		01



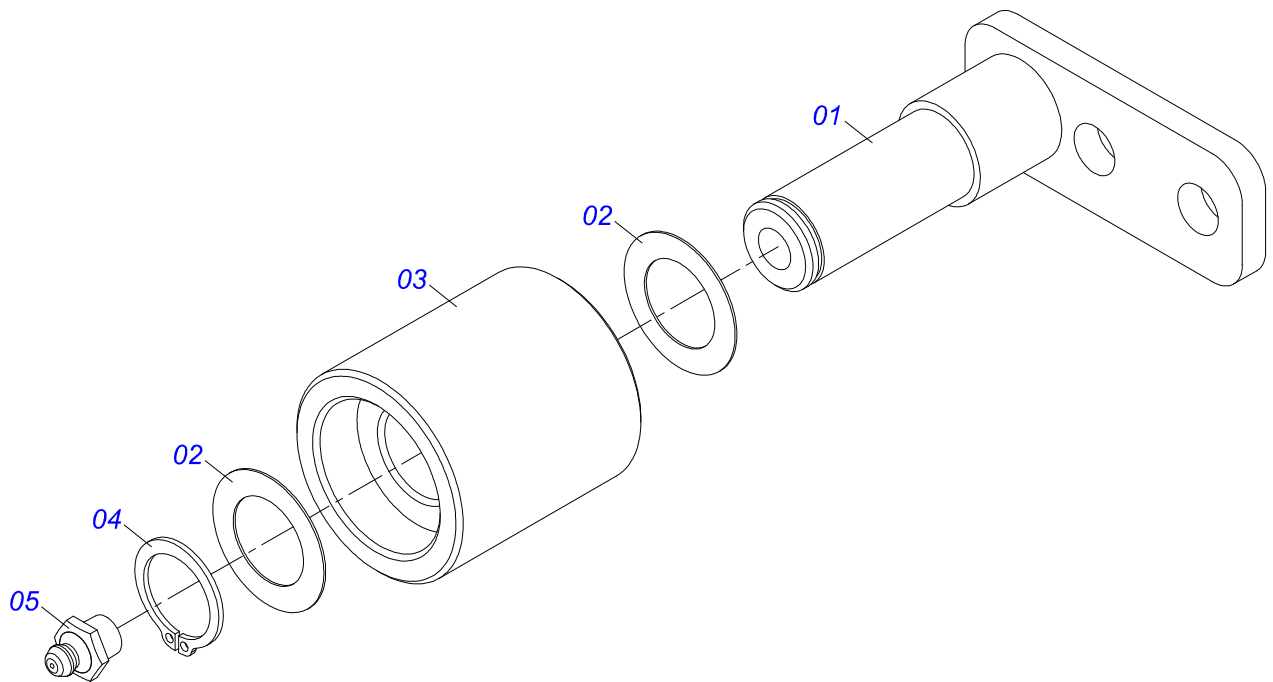
Item	Code	Description	See page	QT
01	0511063410	SLUICE VALVE SUPPORT		01
02	0503010363	5/16" X 1" BOLT		02
03	0503011444	SPRING WASHER		02
04	0503010337	5/16" NUT		02
05	0511059094	SHAFT BEARING THREADED	5	01



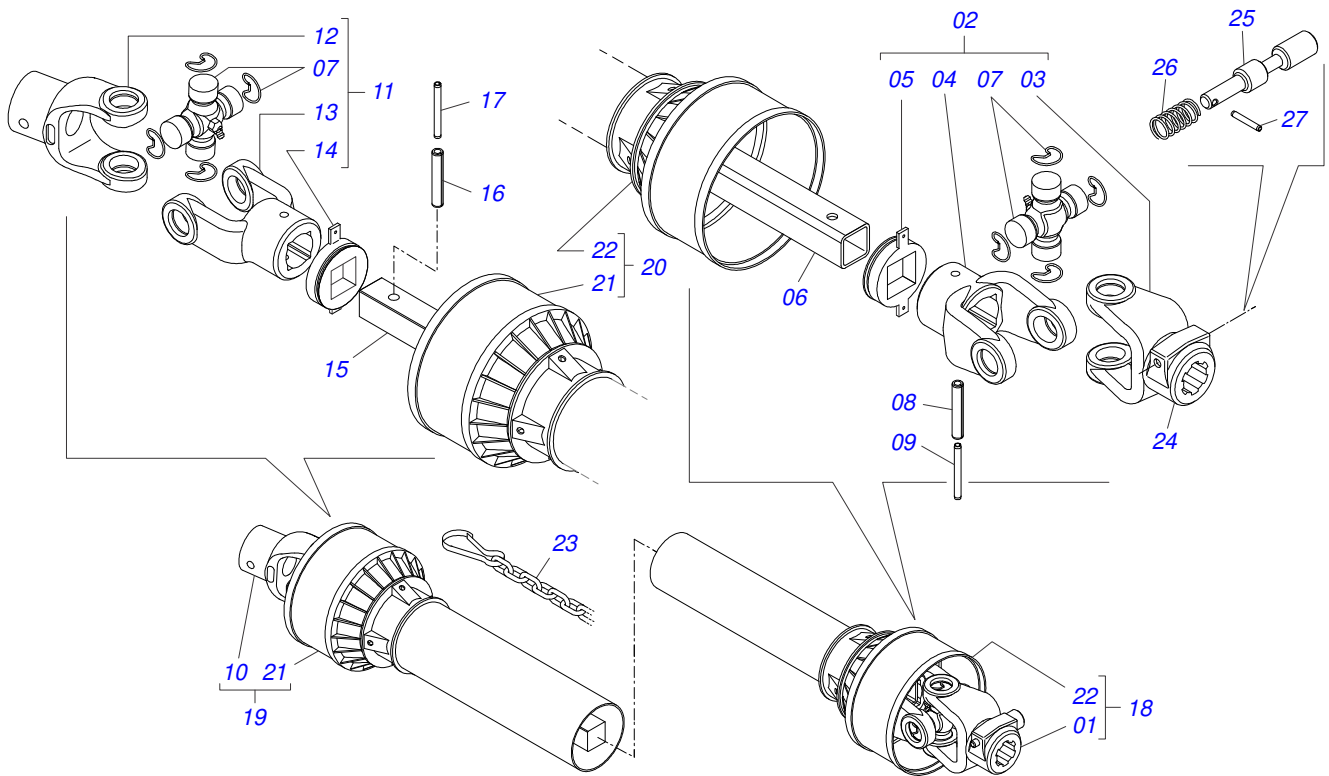
Item	Code	Description	See page	QT
01	0502010581	ROD BEARING		01
02	0521010458	SLEEVE		01
03	0521010457	SLEEVE		01
04	0503010004	1890 GREASE FITTING		01



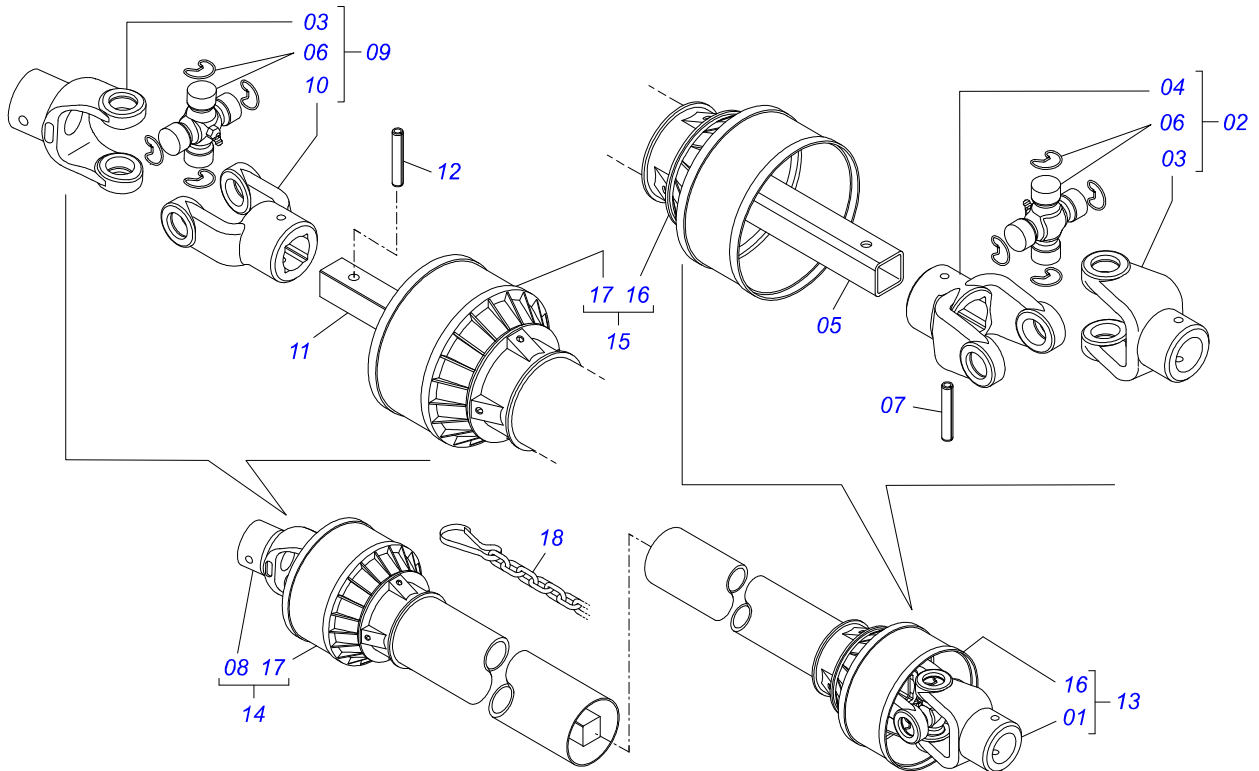
Item	Code	Description	See page	QT
01	0511063413	SLUICE VALVE COVER		01
02	0501019831	ADJUSTING NUT		01
03	0503011148	3/8" X 1/2" BOLT		01
04	0531014336	31.4"X3.1"X 0.1" PROTECTION SMALLER		01
05	0531014331	SLUICE VALVE FIXER COVER		01
06	0503010546	5/16" X 7/8" BOLT		05
07	0503011444	SPRING WASHER		05
08	0503010337	5/16" NUT		05



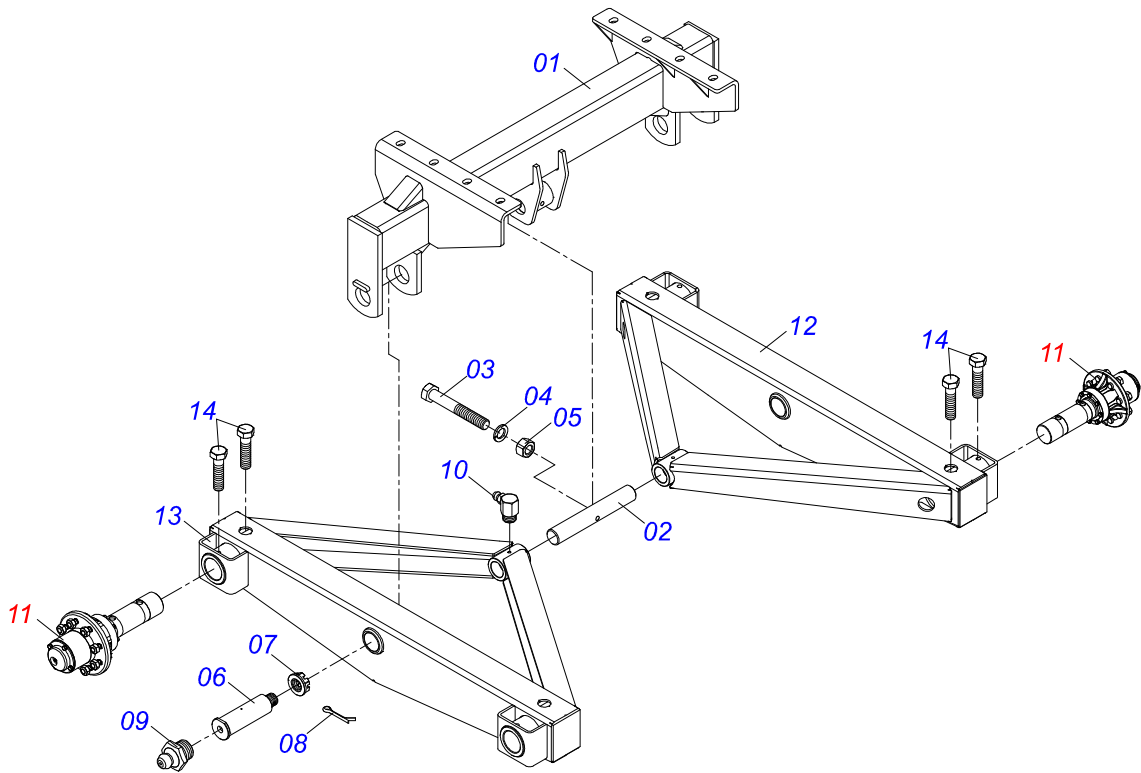
Item	Code	Description	See page	QT
01	0501067692	BELT TENSIONER BODY		01
02	0511015098	FLAT WASHER		02
03	0511017041	TENSIONER ROLD		01
04	0503010302	501019 SEAL RING		01
05	0503010002	1800 GREASE FITTING		01



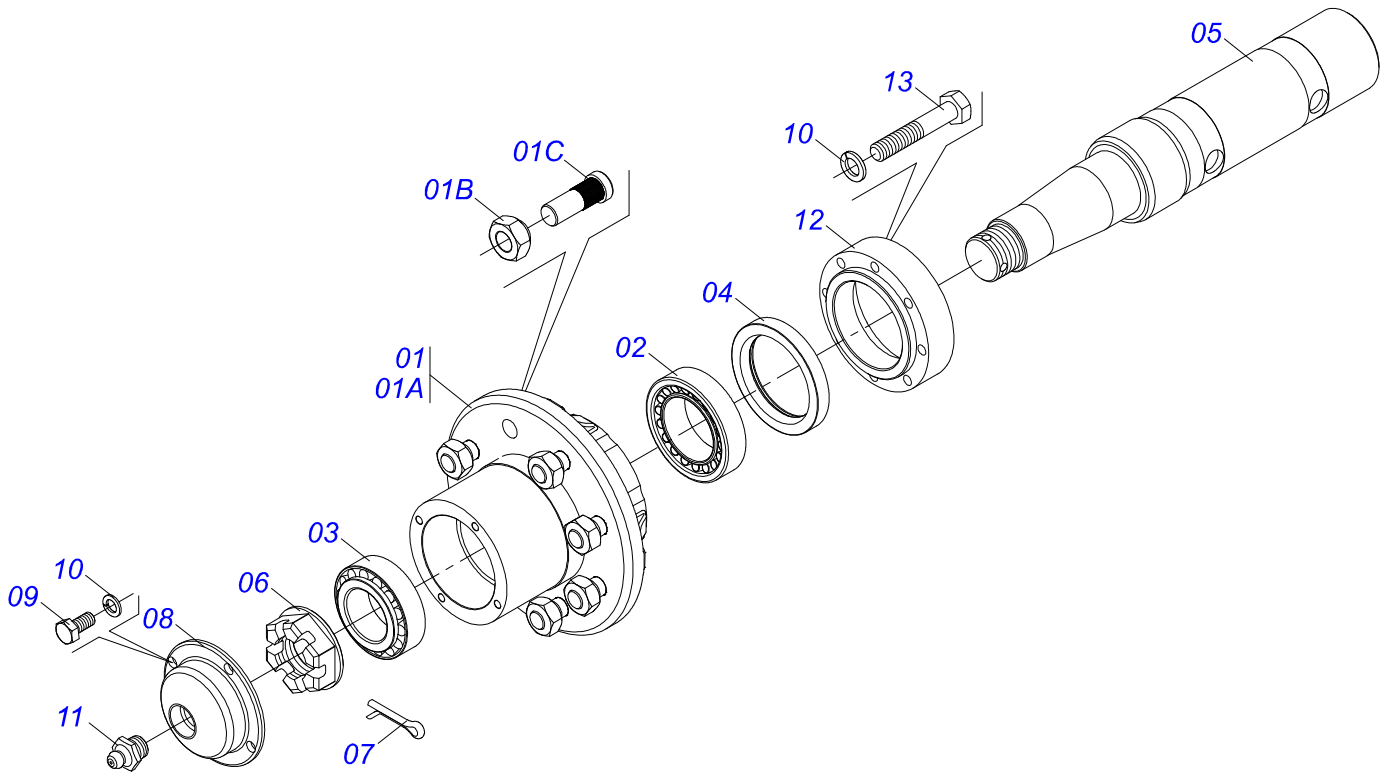
Item	Code	Description	See page	QT
01	0501056756	UNIVERSAL JOINT	01	01
02	0501050265	UNIVERSAL JOINT	01	01
03	0502010563	1-40 STRIATED 1.3/8" TERMINAL	01	01
04	0502010563	1-40 STRIATED 1.3/8" TERMINAL	01	01
05	0503012069	ADAPTER FOR BUSHING PROTECT	01	01
06	0501017427	20" X 1.5" SQUARE SLEEVE	01	01
07	0503010836	CARDAN CROSSPIECE	01	01
08	0503011069	0.4" X 2.8" SPRING PIN	01	01
09	0503010510	0.2" X 2.6" SPRING PIN	01	01
10	0501056755	UNIVERSAL JOINT	01	01
11	0501052178	UNIVERSAL JOINT	01	01
12	0502011611	9-40 TERMINAL	01	01
13	0502010566	3-40 TERMINAL WITH SH 1.2"/1.2"	01	01
14	0503012070	ADAPTER FOR AXLE PROTECTION	01	01
15	0501017423	1.2" X 19.6" SQUARE SHAFT	01	01
16	0503010361	SPRING PIN	01	01
17	0503010756	0.2" X 2.4" SPRING PIN	01	01
18	0501052179	PROT/SLEEVE UNIVERSAL JOINT	01	01
19	0501052180	PROT/AXLE UNIVERSAL JOINT	01	01
20	0503012277	PROTECTION ASSY	01	01
21	0503012278	PROTECTION FOR UNIV JOINT SLEEVE	01	01
22	0503012279	PROTECTION FOR UNIV JOINT AND AXLE	01	01
23	0503012023	CHAIN FOR PROTECTION	02	01
24	0502010563	1-40 STRIATED 1.3/8" TERMINAL	01	01
25	0521010638	0.5" X 3.3" QUIC HITCH COUPL SHAFT	01	01
26	0503030518	0.5"X1.0"X 0.1" COMPRESSION SPRING	01	01
27	0503010838	0.1" X 0.8" SPRING PIN	01	01



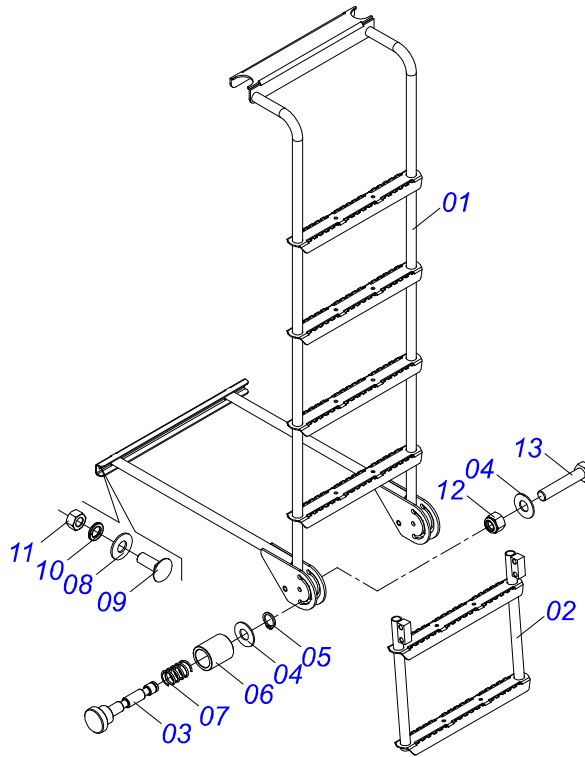
Item	Code	Description	See page	QT
01	0501052171	SLEEVE UNIVERSAL JOINT	01	
02	0501051718	UNIVERSAL JOINT	01	
03	0502010558	4-20 TERMINAL WITH ROLES	02	
04	0502011426	2-20 TERMINAL	01	
05	0521013799	0.9" X 47" SQUARE SLEEVE	01	
06	0503010835	CARDAN CROSSPICE	02	
07	0503010839	03"X 0.6" SPRING PIN	01	
08	0501052172	AXLE UNIVERSAL JOINT	01	
09	0501051720	UNIVERSAL JOINT	01	
10	0502011427	3-20 TERMINAL	01	
11	0521013796	0.9" X 47" SQUARE SHAFT	01	
12	0503010301	0.3" X 1.8" SPRING PIN	01	
13	0501052170	PROT/SLEEVE UNIVERSAL JOINT	01	
14	0501052173	PROT/AXLE UNIVERSAL JOINT	01	
15	0503012274	PROTECTION ASSY	01	
16	0503012275	PROTECTION FOR UNIV JOINT SLEEVE	01	
17	0503012276	PROTECTION FOR UNIV JOINT AND AXLE	01	
18	0503012023	CHAIN FOR PROTECTION	02	



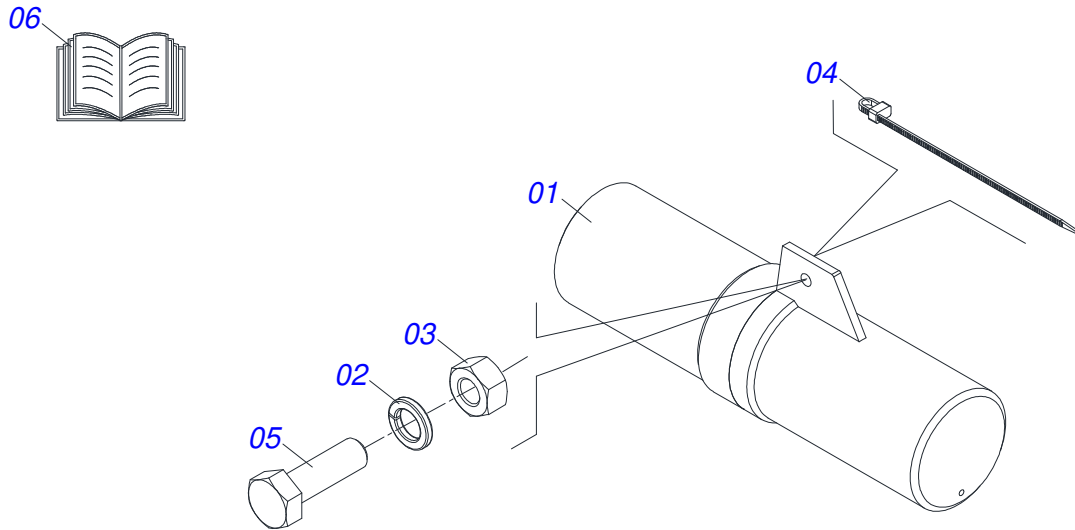
Item	Code	Description	See page	QT
01	0511063936	ROCKER ARM FIXER SUPPORT		01
02	0531016579	CENTRAL AXLE		01
03	0503010547	1/2" X 4" BOLT		01
04	0503011440	SPRING WASHER		01
05	0503010060	1/2" NUT		01
06	0521069954	COUPLING SHAFT 60,10 X 183		02
07	0501011301	1.1/2 UNC 6FPP 2.5/16 NUT		02
08	0503010010	1/4" X 2.1/2" COTTERPIN		02
09	0503010002	1800 GREASE FITTING		02
10	0503010004	1890 GREASE FITTING		02
11	0501056347	CARRYING WHEELS WITHOUT TIRE	11	04
12	0511066145	RIGHT ROCKER ARM		01
13	0511066146	LEFT ROCKER ARM		01
14	0503010233	5/8" X 2-1/2" BOLT		08



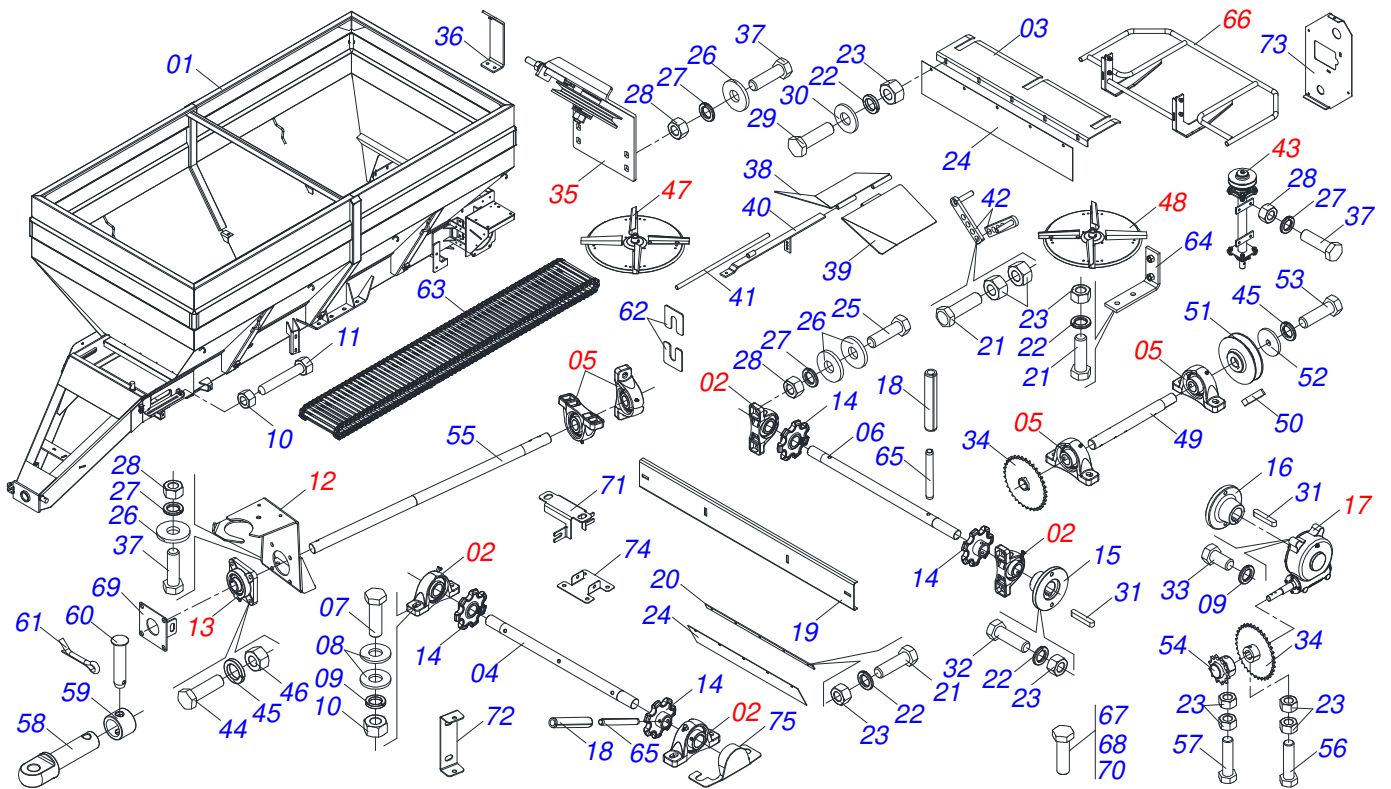
Item	Code	Description	See page	QT
01	0501110763	CARRYING WHEEL HUB		01
01A	0502012318	CARRYING WHEEL HUB		01
01B	0503010064	5/8 UNF CONIC NUT		08
01C	0501011052	5/8" X 1-3/4" BOLT		08
02	0503013453	SKF 33011 ROLLER BEARING		01
03	0503013454	SKF 33109 ROLLER BEARING		01
04	0503010086	SEAL 0009B-B		01
05	0541015586	WHEEL AXLE		01
06	0501010630	1.1/2" CASTLE NUT		01
07	0503010523	1/4" X 2" COTTERPIN		01
08	0502020592	COVER		01
09	0503010295	SCREW 5/16 UNC X 5/8 CS G.2 ZN		04
10	0503011444	SPRING WASHER		12
11	0503010002	1800 GREASE FITTING		01
12	0502012175	SEAL FLANGE		01
13	0503010397	5/16" X 1-3/4" BOLT		08



Item	Code	Description	See page	QT
01	0521067129	LADDER		01
02	0521067130	LADDER EXTENDER		01
03	0571019930	EXTENSION LOCK AXLE		01
04	0501013519	FLAT WASHER		03
05	0503010291	501012 CLAMPING RING (FOR AXLE)		01
06	0571019931	GUIDE GLOVE		01
07	0503032035	0.7" X 1.2" X 1" COMPRESSION SPRING		01
08	0501013518	FLAT WASHER		02
09	0501011643	3/8 X 1" BOLT		02
10	0503010025	3/8" SPRING WASHER		02
11	0503010026	3/8" NUT		02
12	0503010589	1/2" UNC SELF ADJUSTING NUT		02
13	0503010734	1/2" X 2-1/2" BOLT		02

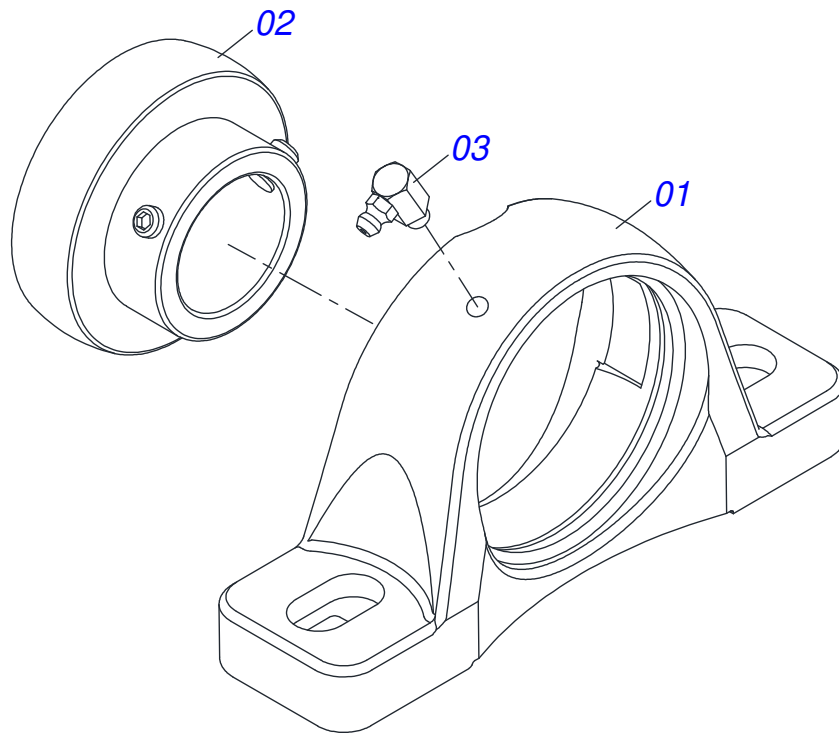


Item	Code	Description	See page	QT
01	0503060100	OPERATOR'S MANUAL STORAGE TUBE		01
02	0503010179	LOCK WASHER		01
03	0503010337	5/16" NUT		01
04	0503010267	NYLON CLAMP		01
05	0503010363	5/16" X 1" BOLT		01
06	0511031524	PACKING WITH INSTRUCTION MANUAL		01

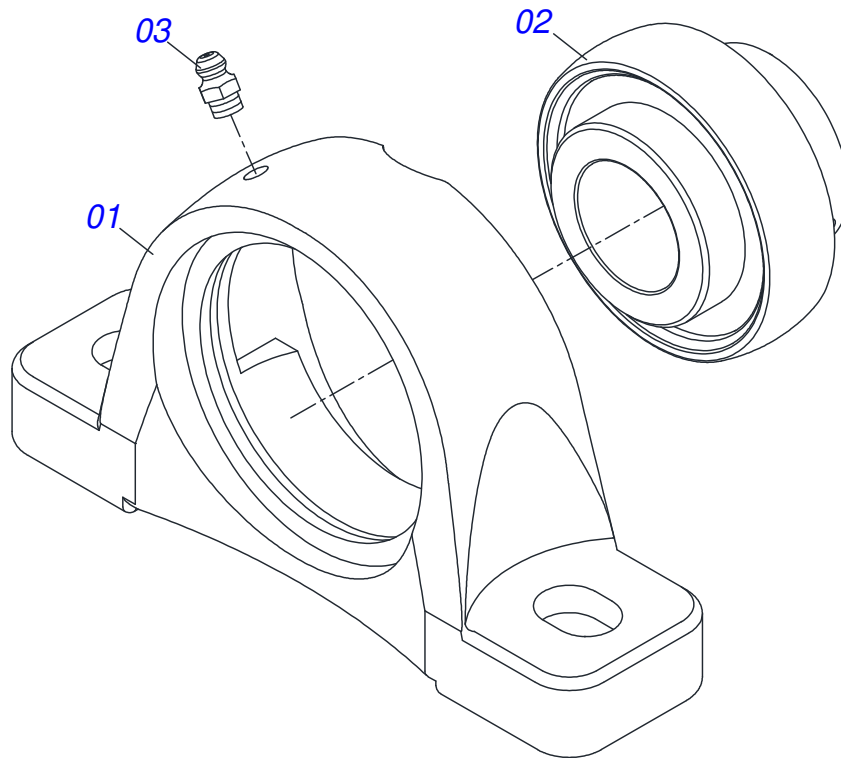


Item	Code	Description	See page	QT
01	0521065215	FRAME BUCKET		01
02	0501044308	AGRICULTURAL BEARING ASSY	15	04
03	0531014324	TOOTH COVER		01
04	0531014345	DRIVEN AXLE		01
05	0511041213	AGRICULTURAL BEARING	16	04
06	0531014346	MOTOR SHAFT		01
07	0503010233	5/8" X 2-1/2" BOLT		04
08	0501012140	FLAT WASHER		08
09	0503010027	5/8" SPRING WASHER		10
10	0503010013	5/8" NUT		08
11	0501067853	ROD STABILIZER		02
12	0521053161	CARDAN SUPPORT WITHOUT SPRING	17	01
13	0501044306	BATH BEARING	18	01
14	0502040728	7Z GEAR		06
15	0511016540	MAT COUPLING FLANGE		01
16	0511016541	REDUCTION COUPLING FLANGE		01
17	0501047985	REDUCER	19	01
18	0503010361	SPRING PIN		08
19	0531014338	BAMPER		01
20	0531014331	SLUICE VALVE FIXER COVER		01
21	0503010237	3/8" X 1" BOLT		07
22	0503011443	3/8" SPRING WASHER		17
23	0503010026	3/8" NUT		25
24	0531014337	PROTECTION LARGER		02
25	0503010740	BOLT 1/2 UNC X 2 CS G.5 ZN		12
26	0511017302	FLAT WASHER		28
27	0503011440	SPRING WASHER		20
28	0503010060	1/2" NUT		20
29	0503010751	C3/8" X 1.1/4" HEX BOLT G.5		08
30	0501010984	FLAT WASHER		08
31	0501010540	KEYWAY SQUARE		02

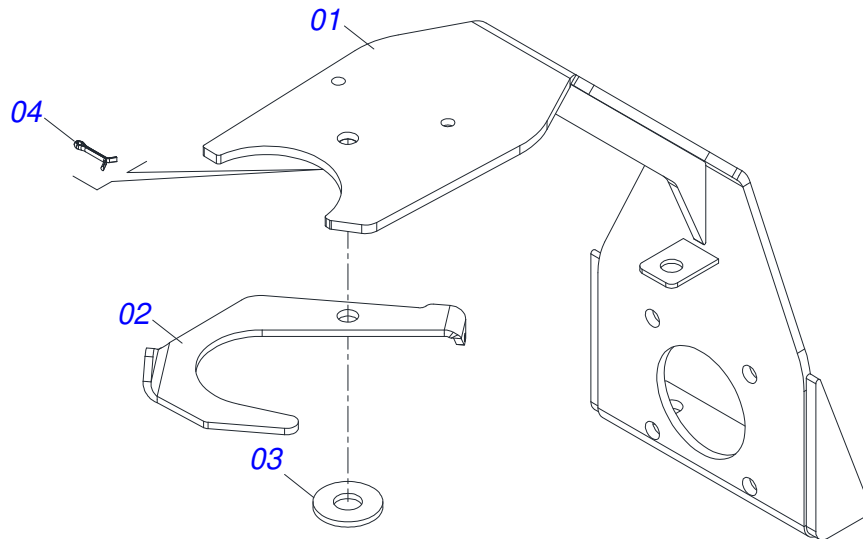
Item	Code	Description	See page	QT
32	0503010849	3/8" X 1-1/2" BOLT		03
33	0503011167	M16 X 2 X 30 BOLT		04
34	0501069020	35Z GEAR		02
35	0501053868	BELT TENSIONER ASSY	21	01
36	0511063668	REAR FIXER COVER		01
37	0503010920	1/2" X 1.1/2" BOLT		08
38	0511063659	RIGHT FLOW DIVIDING		01
39	0511063660	LEFT FLOW DIVIDING		01
40	0531061725	REAR DEFLECTOR SUPPORT		01
41	0531015309	TENSIONER OPEN		01
42	0501067368	DIVISOR REGULATOR OPEN		02
43	0501054013	RIGHT BEARRING SUPPORT DISC	22	02
44	0503011102	BOLT 7/16 UNC X 1.1/4 C S G.5 ZN		12
45	0503011446	SPRING WASHER		13
46	0503010244	7/16" NUT		12
47	0501053870	DISTRIBUTOR RIGHT DISC ASSY	24	01
48	0501053871	DISTRIBUTOR LEFT DISC ASSY	25	01
49	0531014330	DRIVE AXLE		01
50	0501010536	KEYWAY SQUARE		01
51	0502012936	1 C X 219 X 30 PULLEY		01
52	0511014052	FLAT WASHER		01
53	0503010355	7/16" X 1" BOLT		01
54	0501069017	12Z GEAR		01
55	0541014889	TRANSMISSION AXLE		01
56	0503011141	3/8" X 2-3/4" BOLT		02
57	0503011268	3/8" X 2-1/2" BOLT		01
58	1902040223	PIN HITCH		01
59	1902040327	LOCK SLEEVE		01
60	0521010579	COUPLING SHAFT		01
61	0503010571	1/4" X 1.1/2 COTTERPIN		01
62	0501010794	HIDR CHOCK REGULATOR		04
63	0511065278	DRIVE THE TRANSPORT TALISCA		01
64	0521068801	SUPPORT BELT PROTECTION		01
65	0503010756	0.2" X 2.4" SPRING PIN		06
66	0531050089	FULL DISK PROTECTOR	26	01
67	0503011267	BOLT 5/8 UNC X 1.1/2 C S G.5 ZN		02
68	0503811135	BOLT		04
69	0521068825	SUPPORT AXLE PROTECTION		01
70	0503810905	SCREW 1/2 UNC X 2.1/4 C S G.5		02
71	0581017505	INTERMEDIARY SUPPORT AXLE PROTECTION		01
72	0521068824	PROTECTION SUPPORT BEARING		01
73	0521068791	TRANSMISSION PROTECTION COVER		01
74	0521068109	FIXER PROTECTION COVER		01
75	0521068822	BEARING PROTECTION		03



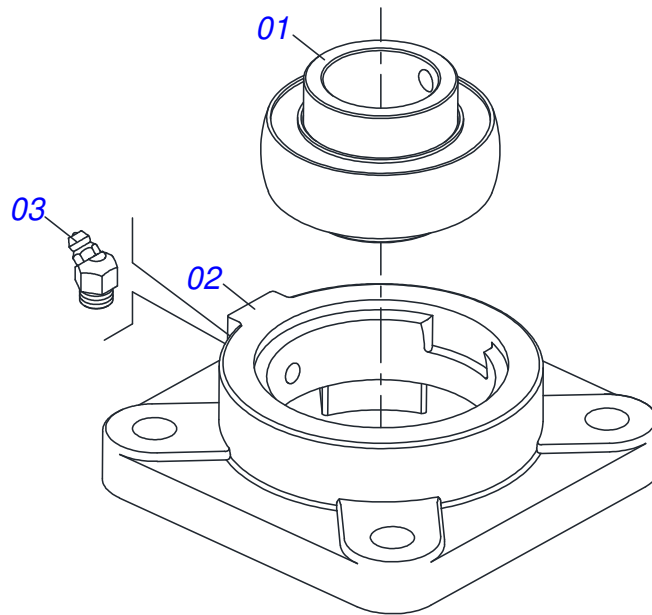
Item	Code	Description	See page	QT
01	0502011050	AGRICULTURAL HOUSING BEARING		01
02	0503011163	1108/UCR BEARING ASSY		01
03	0503010004	1890 GREASE FITTING		01



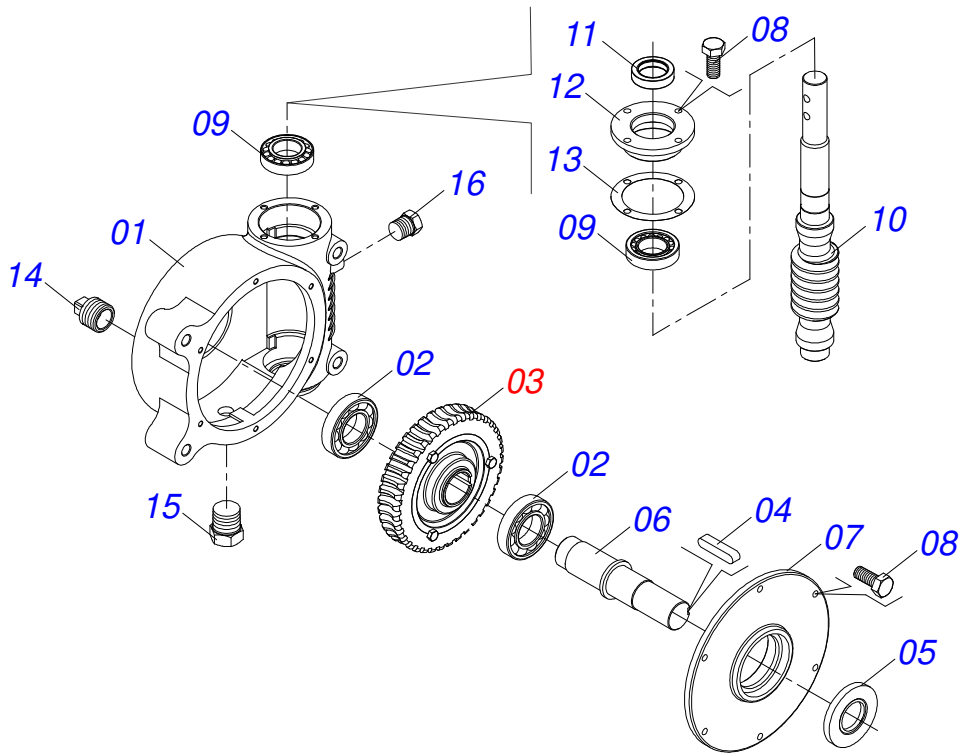
Item	Code	Description	See page	QT
01	0502011954	AGRICULTURAL HOUSING BEARING		01
02	0503011884	BALL BEARING		01
03	0503010691	1/4" GREASE FITTING		01



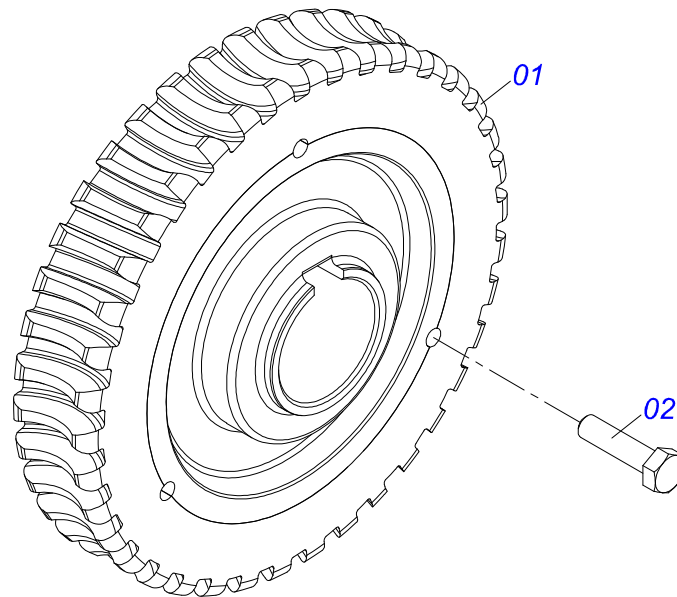
Item	Code	Description	See page	QT
01	0521068817	SUPPORT SUSTENANCE CARDAN		01
02	0511014066	CARDAN SMALLE SUPPORT		01
03	0511017302	FLAT WASHER		01
04	0503010257	1/8" X 1" COTTERPIN		01



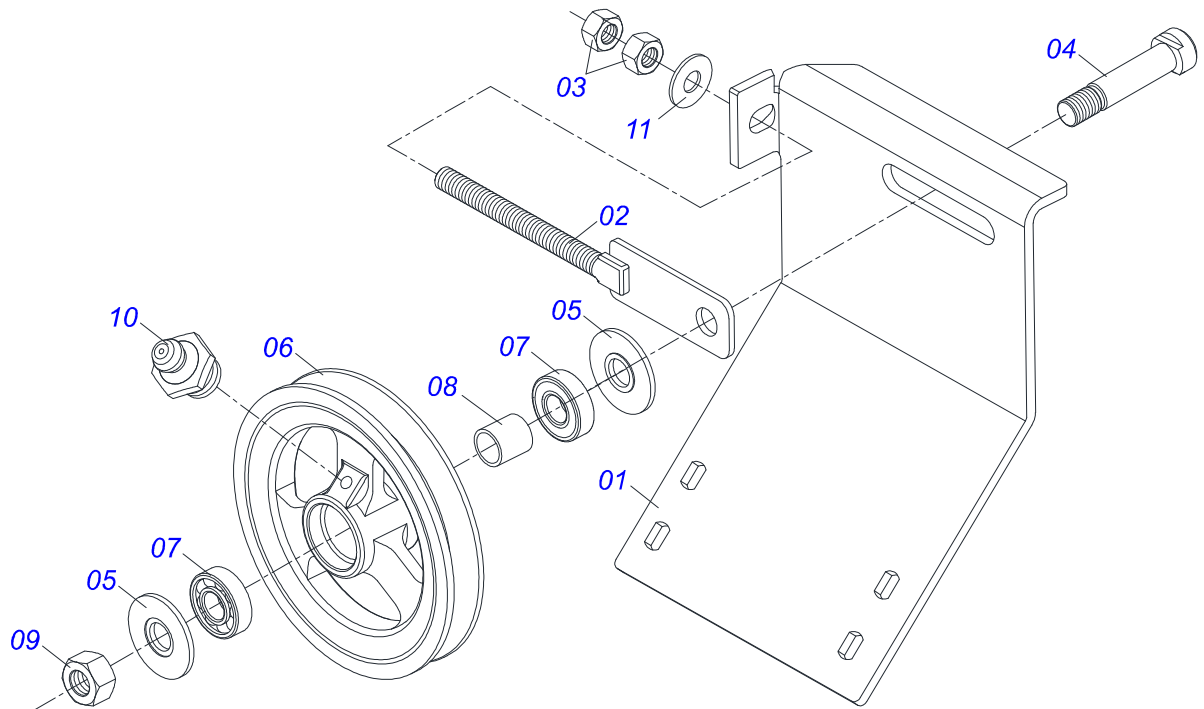
Item	Code	Description	See page	QT
01	0503011162	BALL BEARING		01
02	0503011146	HOUSING BEARING		01
03	0503011099	GREASE FITTING		01



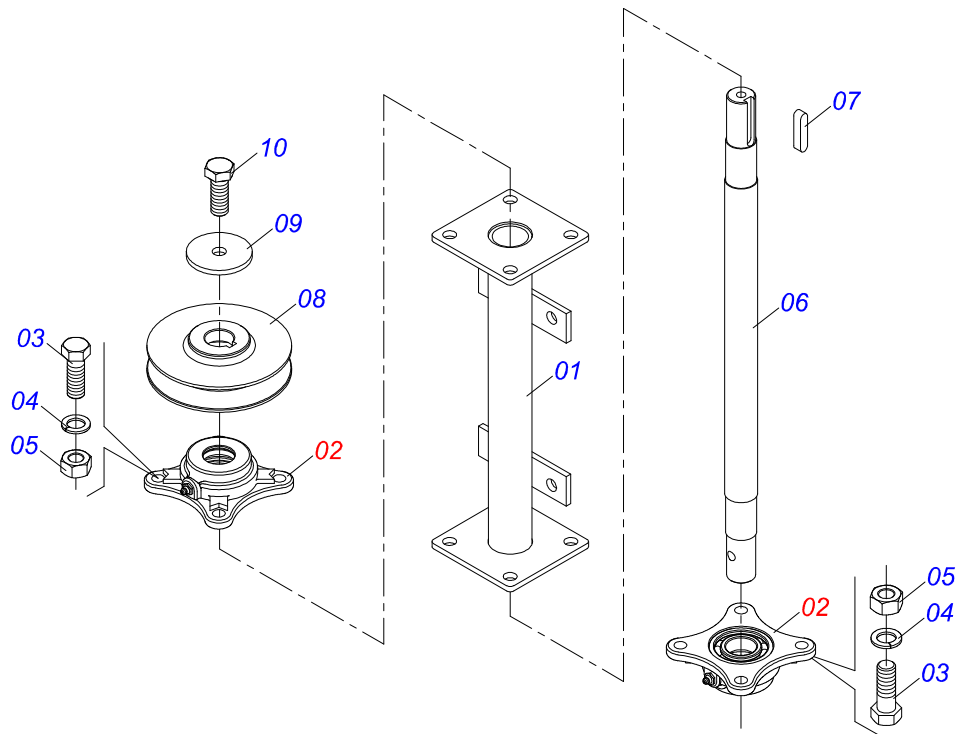
Item	Code	Description	See page	QT
01	0502011456	REDUCTION BOX		01
02	0503011095	6208 BALL BEARING		02
03	0501051774	38Z CROWN	20	01
04	0503011304	1/2" X 2.4" KEYWAY SQUARE		01
05	0503010818	02675-BRG SEAL		01
06	0521010996	AXLE		01
07	0502020556	LARGER COVER		01
08	0503010240	BOLT		10
09	0503010016	BEARING LM		02
10	0521010997	SCREW THEAD		01
11	0503011171	00912-BRG SEAL		01
12	0502011457	SMALLER COVER		01
13	0503030981	102 X 75,5 X 0,10 JOINT		01
14	0521011023	PLUG		01
15	0503031604	1/2" BSP PLUG		01
16	0503010856	OIL PLUG		01



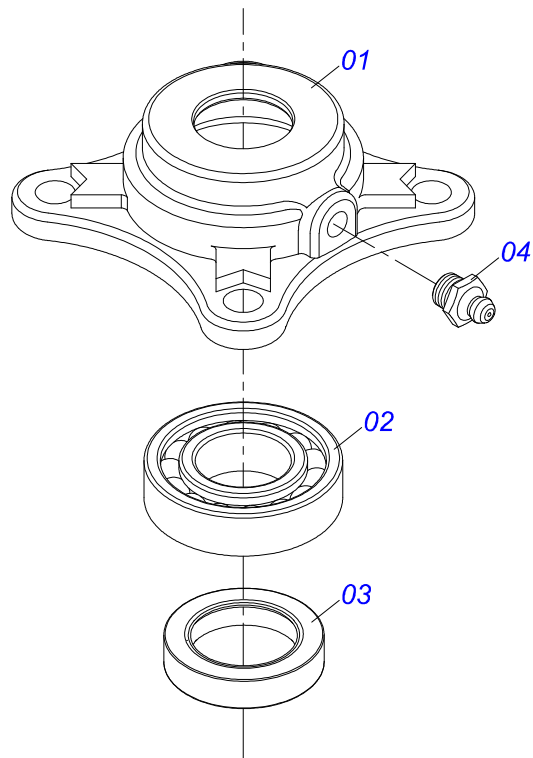
Item	Code	Description	See page	QT
01	0501110280	38Z CONICAL		01
02	0503010365	NUT		03



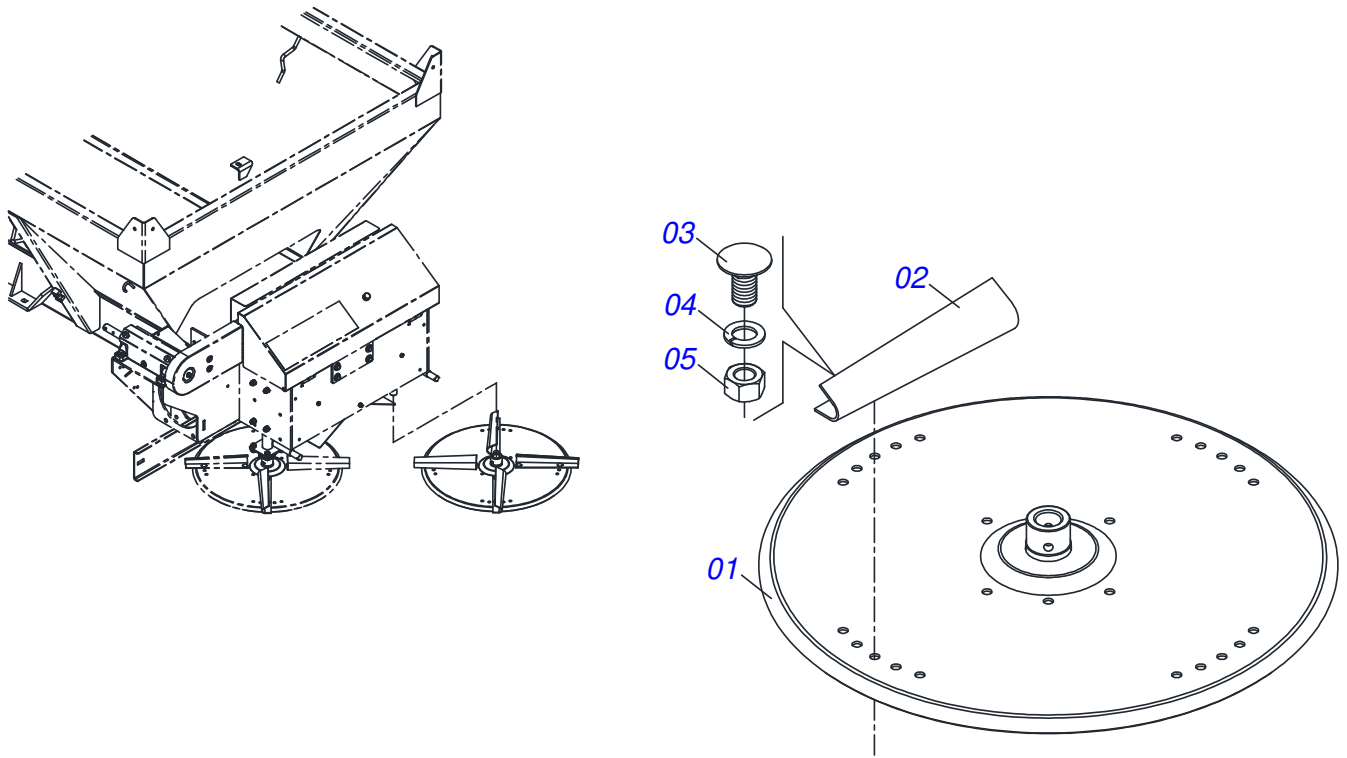
Item	Code	Description	See page	QT
01	0531014326	PULLEY BODY SUPPORT		01
02	0511064818	PULLEY TENSIONER		01
03	0503010013	5/8" NUT		02
04	0511012362	TIGHTENER AXLE PULLEY		01
05	0501019288	WASHER SPACER		02
06	0502011366	REEL 1C 8.3" X 1.6" PULLEY		01
07	0503010690	6204 BALL BEARING		02
08	0521010497	0.8" X 1.1" X 1.1" SPACER		01
09	0503010014	3/4" NUT		01
10	0503010002	1800 GREASE FITTING		01
11	0501012140	FLAT WASHER		01



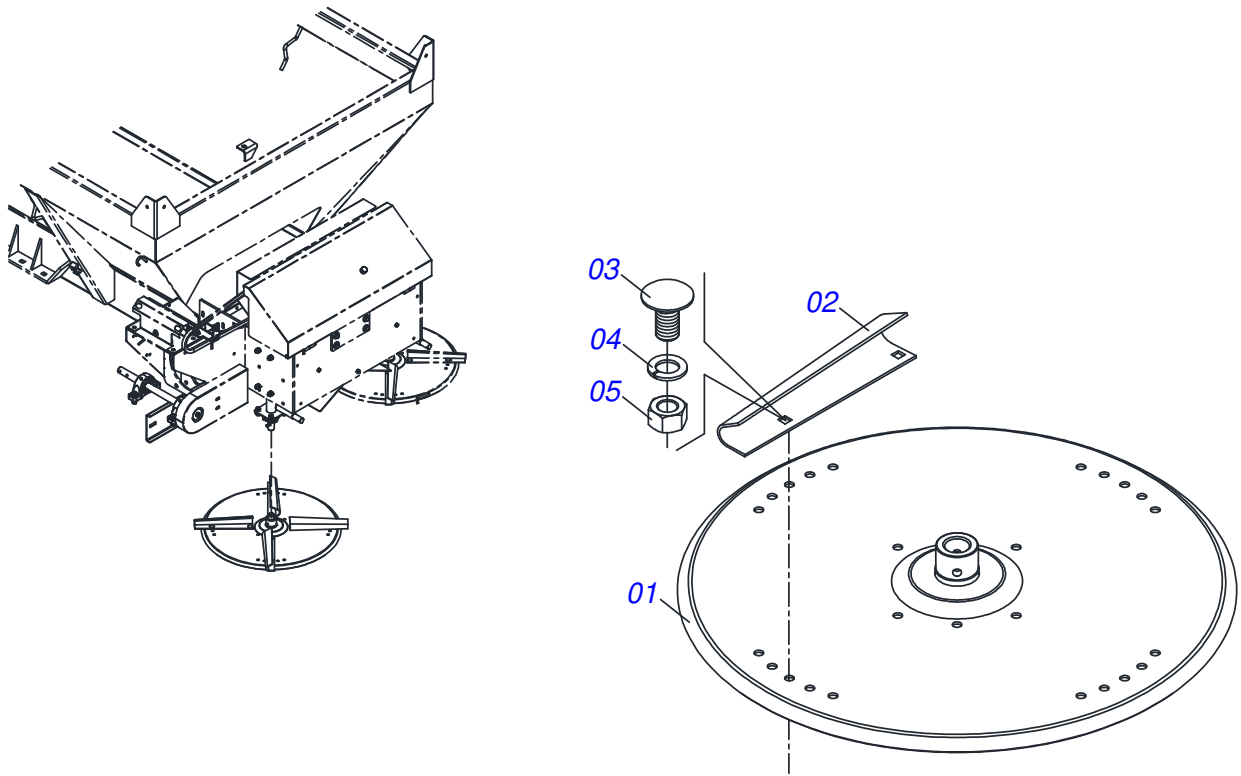
Item	Code	Description	See page	QT
01	0511063742	DISTRIBUTOR RIGHT/LEFT SUPPORT		01
02	0501048000	AGRICULTURAL BEARING	23	02
03	0503011135	BOLT		08
04	0503011446	SPRING WASHER		08
05	0503010244	7/16" NUT		08
06	0511016489	DISTRIBUTOR AXLE CONDUCTOR DISC		01
07	0501010536	KEYWAY SQUARE		01
08	0502011361	REEL 1C 5.5" X 1.1" PULLEY		01
09	0511014052	FLAT WASHER		01
10	0503010237	3/8" X 1" BOLT		01



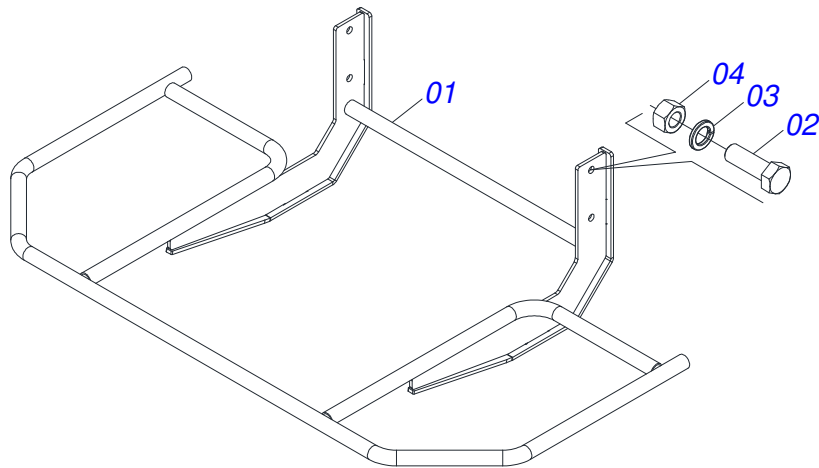
Item	Code	Description	See page	QT
01	0502011442	AGRICULTURAL HOUSING BEARING		01
02	0503010276	6206 BALL BEARING		01
03	0503011865	SEAL		01
04	0503010002	1800 GREASE FITTING		01



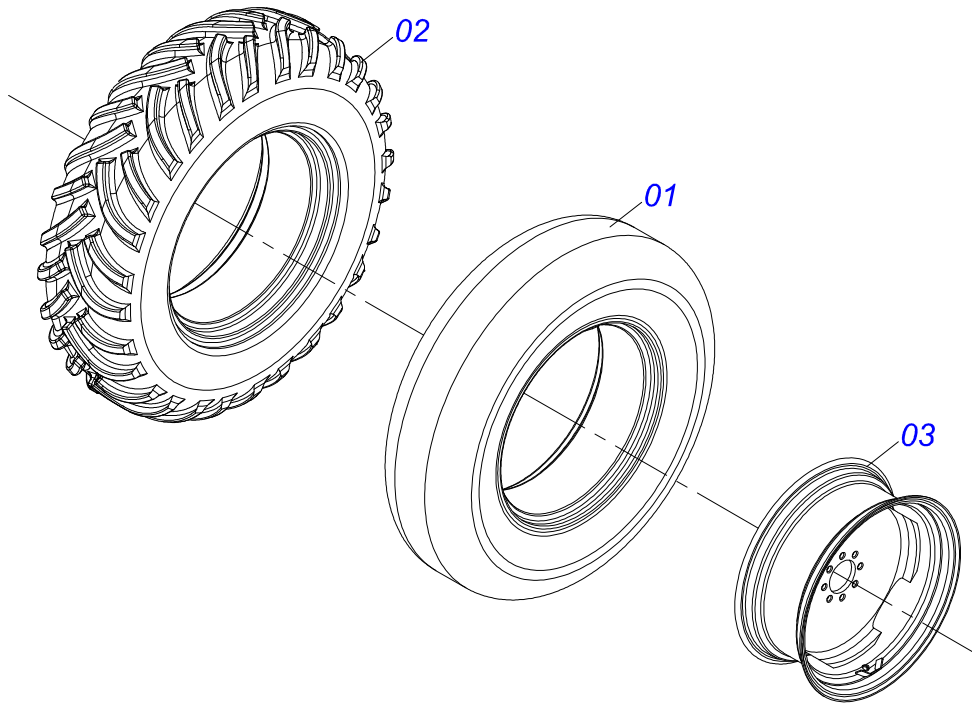
Item	Code	Description	See page	QT
01	0511063411	DISTRIBUTOR DISC		01
02	0531014343	RH FLIP		04
03	0503013029	3/8" X 3/4" BOLT		08
04	0503011443	3/8" SPRING WASHER		08
05	0503010026	3/8" NUT		08



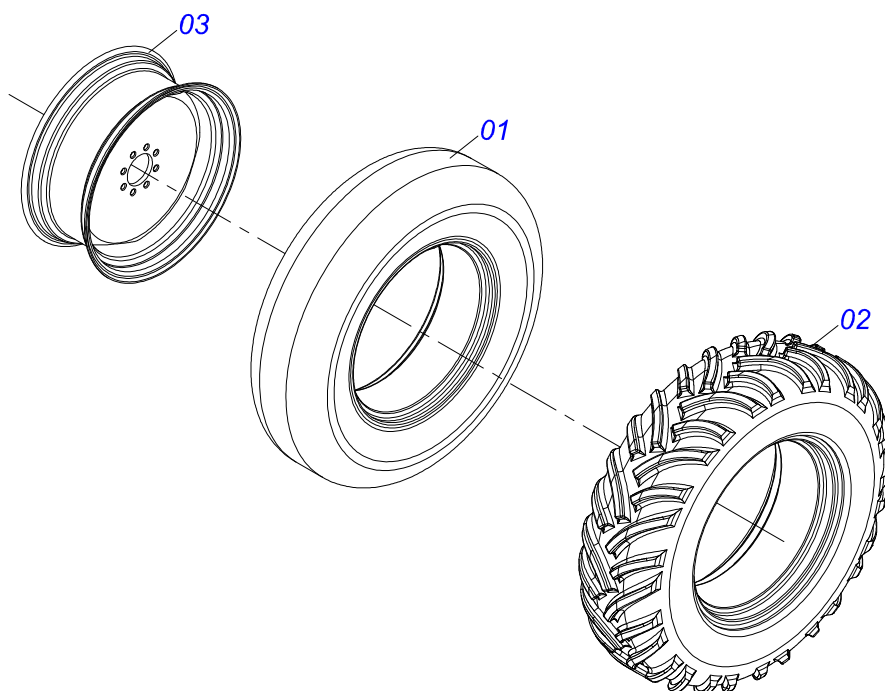
Item	Code	Description	See page	QT
01	0511063411	DISTRIBUTOR DISC		01
02	0531014344	LH FLIP		04
03	0503013029	3/8" X 3/4" BOLT		08
04	0503011443	3/8" SPRING WASHER		08
05	0503010026	3/8" NUT		08



Item	Code	Description	See page	QT
01	0531061724	DISK PROTECTOR		01
02	0503010920	1/2" X 1.1/2" BOLT		04
03	0503011440	SPRING WASHER		04
04	0503010060	1/2" NUT		04



Item	Code	Description	See page	QT
01	0503013040	0.5" X 1" VALVE STEM		01
02	0503013039	0.5" X 1" -10 CANVAS TIRE		01
03	0511063924	DCCO 10500 WHEEL		01



Item	Code	Description	See page	QT
01	0503013040	0.5" X 1" VALVE STEM		01
02	0503013039	0.5" X 1" -10 CANVAS TIRE		01
03	0511063924	DCCO 10500 WHEEL		01



civemasa

Technical Publications | Elaboration and Revision

LORENA ROCHA ALVES

www.civemasa.com.br

