

**LIME AND FERTILIZER SPREADER**

**DFCO 7.5**

**Code:** 0501093228

**Series:** S-1103

**Revision:** 01

**Revision Date:** JULHO/2023

# PARTS CATALOGUE

***CIVEMASA***

A solid orange rectangular bar is positioned at the top left of the page, above the "PRODUCTS" heading.

# PRODUCTS

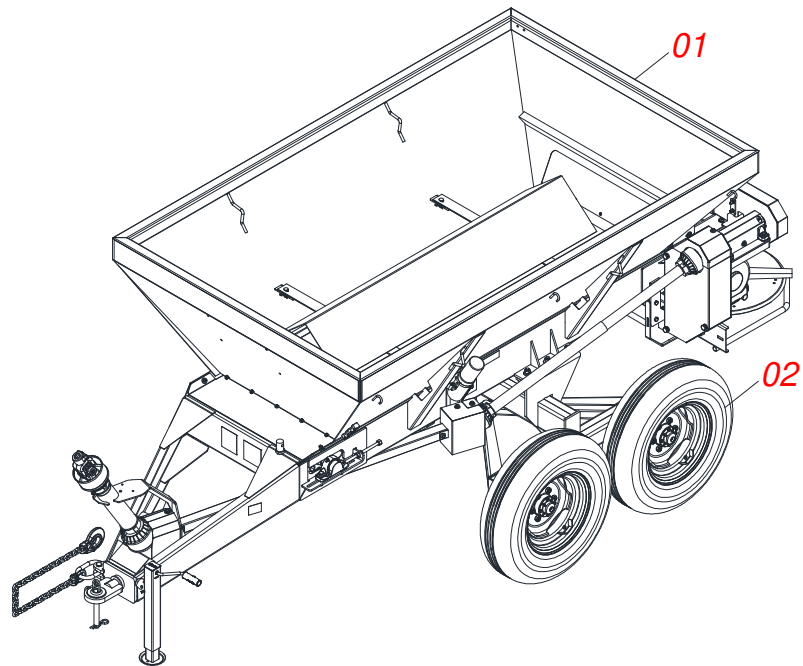
Code	Description
0120480004	DFCO 7.5 61510047 S-1103

### **ATTENTION: IMPORTANT**

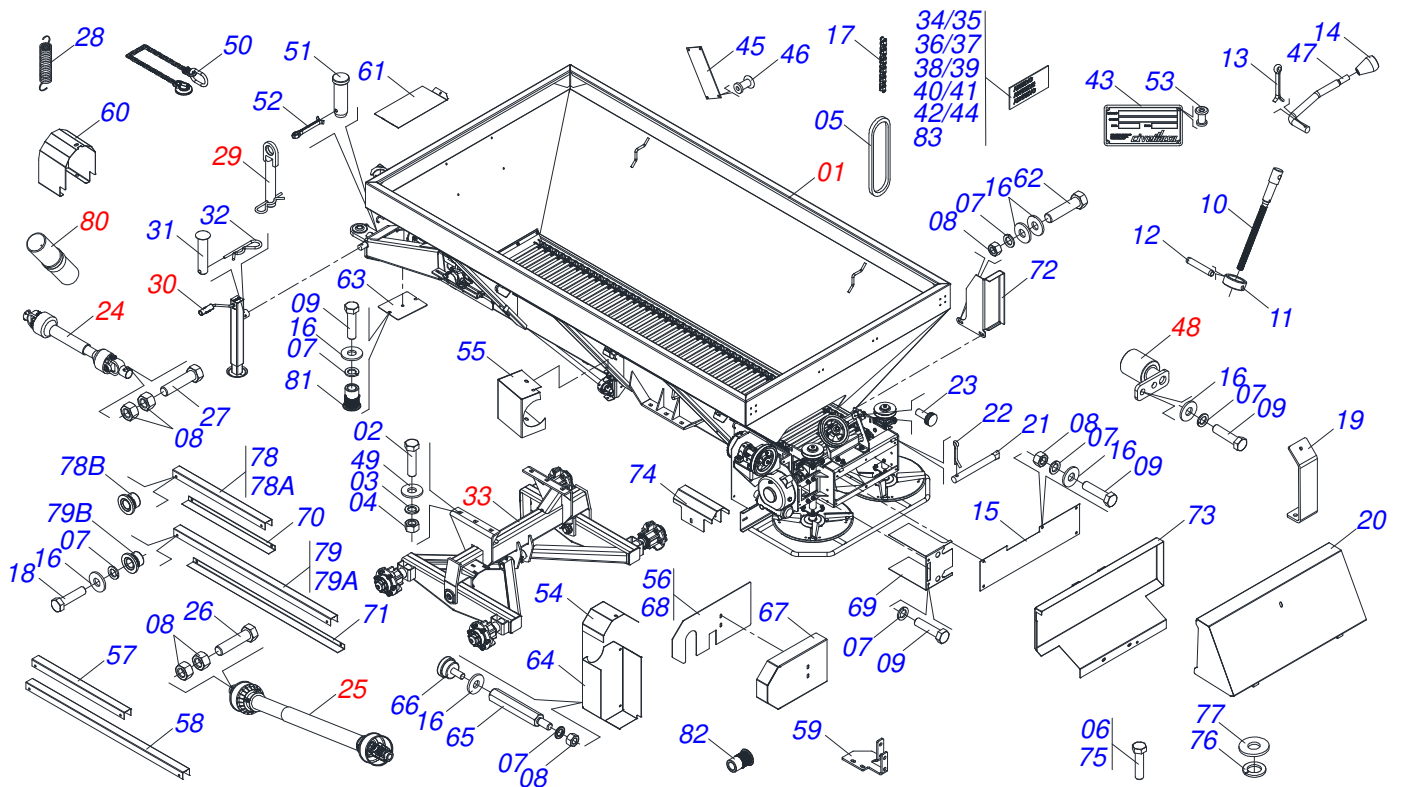
CIVEMASA reserves the right to improve and/or modify the technical features of its products, without obligation to do the same with those products already sold and without prior knowledge of the dealer or the customer. The photos are only illustrative.

# INDEX

0909096176	ASSY FRAME	.....	1
0511052312	FRAME ASSY	.....	2
0511052316	FRAME WITH BUCKET	.....	3
0511059105	SLUICE VALVE SUPPORT	.....	4
0511059094	SHAFT BEARING THREADED	.....	5
0511059108	SLUICE VALVE COVER ASSY	.....	6
0501047985	REDUCER	.....	7
0501051774	38Z CROWN	.....	8
0501054013	RIGHT BEARRING SUPPORT DISC	.....	9
0501048000	AGRICULTURAL BEARING	.....	10
0501053870	DISTRIBUTOR RIGHT DISC ASSY	.....	11
0501053871	DISTRIBUTOR LEFT DISC ASSY	.....	12
0511041213	AGRICULTURAL BEARING	.....	13
0501044306	BATH BEARING	.....	14
0501044308	AGRICULTURAL BEARING ASSY	.....	15
0501053868	BELT TENSIONER ASSY	.....	16
0521053161	CARDAN SUPPORT WITHOUT SPRING	.....	17
0501048241	DRIVE SHAFT	.....	18
0501048200	DRIVE SHAFT	.....	19
0501047881	AXIS JOINT ASSY	.....	20
0511041064	FIXING STAND ASSY	.....	21
0501051142	CARRYING WHEEL HUB	.....	22
0501050829	CHAIN TENSIONER	.....	23
0531051123	CATALOGUE/MANUAL CANISTER ASSY	.....	24
0503060181	WHEEL AND TIRE	.....	25

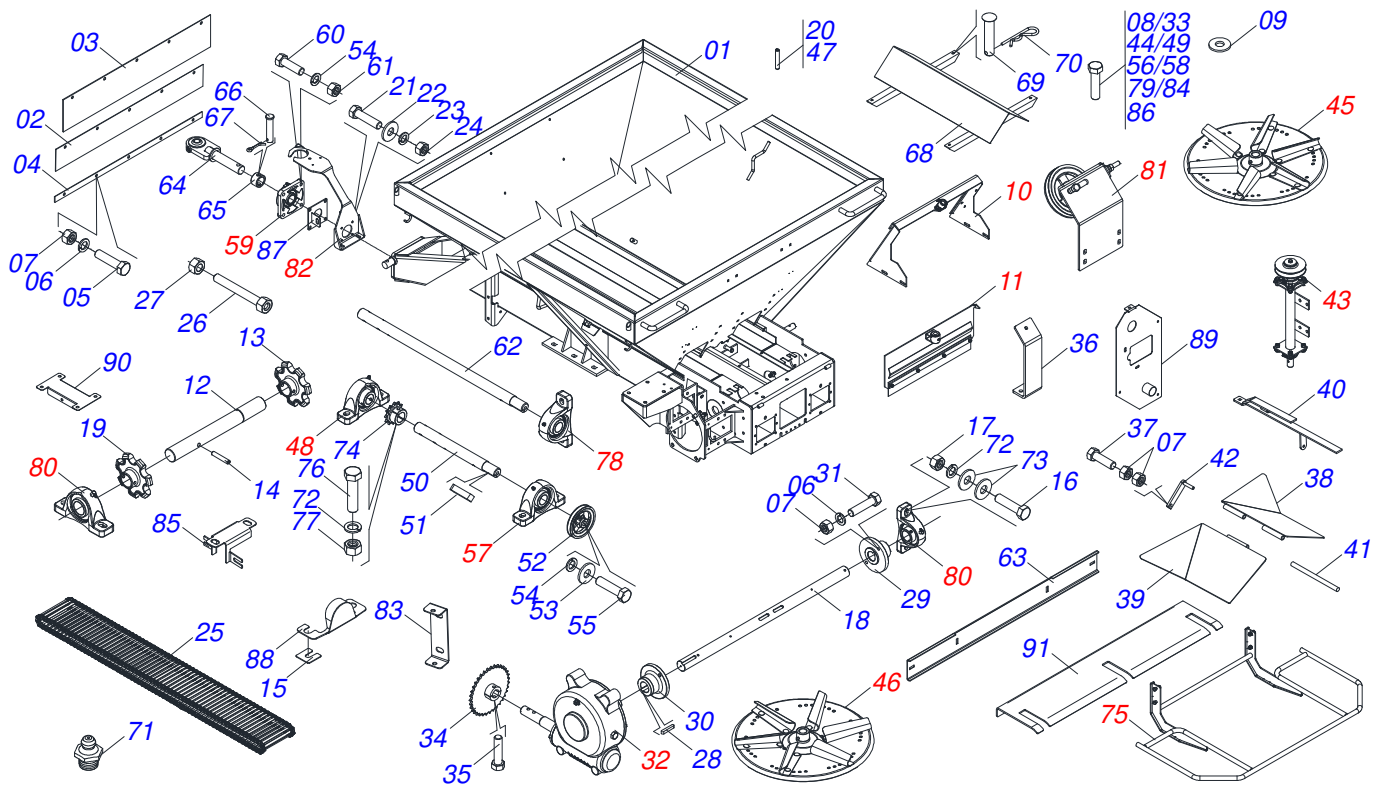


Item	Code	Description	See page	QT
01	0511052312	FRAME ASSY	2	01
02	0503060181	WHEEL AND TIRE	25	04



Item	Code	Description	See page	QT
01	0511052316	FRAME WITH BUCKET	3	01
02	0503010899	5/8 UNC X 2.1/4 BOLT		06
03	0503010027	5/8 SPRING WASHER		06
04	0503010013	5/8 NUT		06
05	0503012941	C-148 BELT		01
06	0503010751	C3/8" X 1.1/4" HEX BOLT G.5		02
07	0503010025	3/8 SPRING WASHER		29
08	0503010026	3/8" NUT		22
09	0503010237	3/8" X 1" BOLT		11
10	0561014861	REGULATOR		01
11	0511013015	SLEEVE		01
12	0503010561	SPRING PIN		01
13	0503010257	1/8" X 1" COTTERPIN		01
14	0503030878	LEVER CRANK		01
15	0531014340	REAR PROTECTION		01
16	0501010984	10,50 X 27 X 3,00 FLAT WASHER		33
17	0503013003	50-1 CHAIN X 79 LINK + REDUCTION + MENDING		01
18	0503010256	3/8" X 3/4" BOLT		16
19	0511063668	REAR FIXER COVER		01
20	0511063408	REAR COVER PROTECTION		01
21	0501017574	0.3" X 2.7" AXLE		02
22	0503010140	1/8" X 3/4" COTTERPIN		02
23	0503010386	CABLE		01
24	0501048241	DRIVE SHAFT	18	01
25	0501048200	DRIVE SHAFT	19	01
26	0503011268	3/8" X 2-1/2" BOLT		02
27	0503010765	3/8" X 3" BOLT		01
28	0503030198	0.6" X 2.4" X 0.1" EXTENSION SPRING		01
29	0501047881	AXIS JOINT ASSY	20	01
30	0503062157	DRAWBAR JACK		01
31	0521010549	COUPLING SHAFT		01

Item	Code	Description	See page	QT
32	0503030168	HITCH PIN CLIP		01
33	0511041064	FIXING STAND ASSY	21	01
34	0503034152	BADGE		02
35	0503034153	BADGE		06
36	0503031859	ADHESIVE LABEL DANGER		02
37	0503031428	READ MANUAL DECAL		01
38	0503031827	LUBRICATE AND RETIGHTEN DAILY DECAL		01
39	0503031087	ADHESIVE LABEL		01
40	0503031818	ADHESIVE LABEL		01
41	0503031809	ADHESIVE LABEL		01
42	0503032425	ADHESIVE LABEL ATTENTION		01
43	0503034004	ALUMINUM IDENTIFICATION LABEL		01
44	0503032949	ADHESIVE LABEL		01
45	0503030751	REGULATOR PLATE		01
46	0503012209	RIVET POP		04
47	0521011107	CRANK BODY		01
48	0501050829	CHAIN TENSIONER	23	01
49	0501012140	FLAT WASHER		12
50	0503013150	1300 X 3/8 CHAIN		01
51	0581011220	COUPLING SHAFT		01
52	0503010131	3/16" X 1-1/2" COTTERPIN		01
53	0503010001	3.2 X 5.5 RIVET		04
54	0581017494	TOP PROTECTION RECAMBIO		01
55	0521068818	BEARING PROTECTION		01
56	0521068792	COVER PROTECTION		01
57	0521068798	MINOR PROTECTION TRANSMISSION AXLE		01
58	0521068799	TRANSMISSION AXLE PROTECTION		01
59	0521068801	SUPPORT BELT PROTECTION		01
60	0521068802	PROTECTION TOGETHER CARDAN		01
61	0581017452	FRONT PROTECTION BELT		01
62	0503010849	3/8" X 1-1/2" BOLT		06
63	0581017488	LOWER PROTECTION BOARD CARDAN		01
64	0581017446	CHAIN CAP		01
65	0581017496	PRISONER 3/8 UNC X 5/16 UNC X 175		03
66	0503010386	CABLE		03
67	0591016128	SIDE PROTECTION BELT		01
68	0591016127	SIDE PROTECTION BELT COVER		01
69	0581017453	FLANGE PROTECTION COVER		01
70	0581017462	PROTECTION FRONT COVER		01
71	0581017464	PROTECTION FRONT COVER		01
72	0581017469	PROTECTION SIDE		01
73	0521068794	BELT INTERNAL PROTECTION		01
74	0581015152	COVER PROTECTION		01
75	0503010240	BOLT		02
76	0503010179	LOCK WASHER 5/16 ZN 1K01528		02
77	0501010984	10,50 X 27 X 3,00 FLAT WASHER		02
78	0531059016	SMALL TRANSMISSION SHAFT PROTECTION		01
78A	0581017461	SMALL AXLE PROTECTION COVER		01
78B	0503019729	THREAD SCREW INTERNAL		04
79	0531059015	TRANSMISSION SHAFT PROTECTION		01
79A	0581017463	SMALL AXLE PROTECTION COVER		01
79B	0503019729	THREAD SCREW INTERNAL		04
80	0531051123	CATALOGUE/MANUAL CANISTER ASSY	24	01
81	0503019416	RIVET SCREW THREAD INTERNAL		09
82	0503019413	THREAD SCREW INTERNAL		04
83	0503035156	LABEL ADHESIVE		01

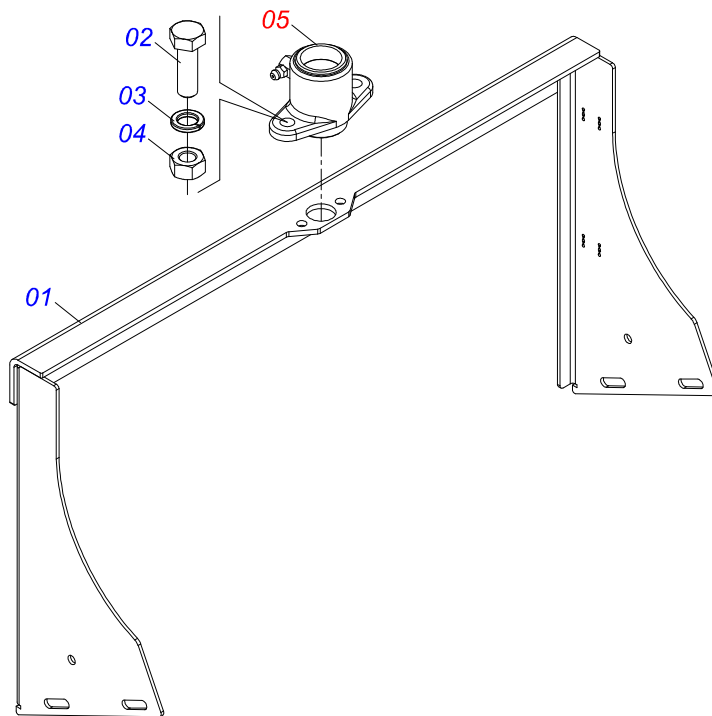


Item	Code	Description	See page	QT
01	0521063403	BUCKET ASSY		01
02	0531014336	31.4"X3.1"X 0.1" PROTECTION SMALLER		01
03	0531014337	PROTECTION LARGER		02
04	0531014331	SLUICE VALVE FIXER COVER		01
05	0503010237	3/8" X 1" BOLT		13
06	0503011443	3/8" SPRING WASHER		22
07	0503010026	3/8" NUT		24
08	0503010751	C3/8" X 1.1/4" HEX BOLT G.5		04
09	0501010984	10,50 X 27 X 3,00 FLAT WASHER		10
10	0511059105	SLUICE VALVE SUPPORT	4	01
11	0511059108	SLUICE VALVE COVER ASSY	6	01
12	0591016382	DRIVEN AXLE		01
13	0591016380	GEAR		03
14	0503010361	SPRING PIN		03
15	0501010794	HIDR CHOCK REGULATOR		04
16	0503010233	5/8" X 2-1/2" BOLT		04
17	0503010013	5/8 NUT		04
18	0591016381	DRIVING AXLE		01
19	0591016380	GEAR		03
20	0503010361	SPRING PIN		03
21	0503010740	BOLT 1/2 UNC X 2 CS G.5 ZN		04
22	0511017302	FLAT WASHER 13,50 X 32,50 X 3,0 ZN		24
23	0503011440	SPRING WASHER		18
24	0503010060	1/2 UNC G.5 ZN HEX NUT		28
25	0511063805	DRIVE THE TRANSPORT TALISCA		01
26	0501067853	ROD STABILIZER		02
27	0503010013	5/8 NUT		02
28	0501010540	KEYWAY SQUARE		02
29	0511016540	MAT COUPLING FLANGE		01
30	0511016541	REDUCTION COUPLING FLANGE		01
31	0503010849	3/8" X 1-1/2" BOLT		03

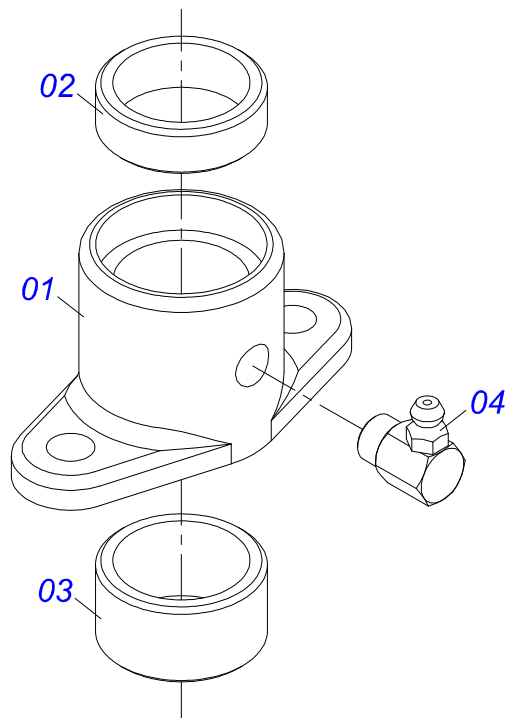
Item	Code	Description	See page	QT
32	0501047985	REDUCER	7	01
33	0503011167	M16 X 2 X 30 BOLT		04
34	0501069020	35Z GEAR		02
35	0503011268	3/8" X 2-1/2" BOLT		02
36	0511063668	REAR FIXER COVER		01
37	0503010238	BOLT 1/2 UNC X 1.3/4 CS G.2 ZN		04
38	0511063659	RIGHT FLOW DIVIDING		01
39	0511063660	LEFT FLOW DIVIDING		01
40	0531061725	REAR DEFLECTOR SUPPORT		01
41	0531015309	TENSIONER OPEN		01
42	0531061722	DIVIDER OPENING REGULATOR		01
43	0501054013	RIGHT BEARRING SUPPORT DISC	9	02
44	0503010920	1/2 UNC X 1.1/2 C S G.5 ZN BOLT		12
45	0501053870	DISTRIBUTOR RIGHT DISC ASSY	11	01
46	0501053871	DISTRIBUTOR LEFT DISC ASSY	12	01
47	0503010361	SPRING PIN		02
48	0511041213	AGRICULTURAL BEARING	13	02
49	0503010740	BOLT 1/2 UNC X 2 CS G.5 ZN		04
50	0531014330	DRIVE AXLE		01
51	0501010536	KEYWAY SQUARE		01
52	0502012936	1 C X 219 X 30 PULLEY		01
53	0511014052	FLAT WASHER		01
54	0503011446	SPRING WASHER		05
55	0503010355	7/16" X 1" BOLT		01
56	0503011268	3/8" X 2-1/2" BOLT		03
57	0511041213	AGRICULTURAL BEARING	13	01
58	0503011082	C1/2" X 1.3/4" SCREW		02
59	0501044306	BATH BEARING	14	01
60	0503011135	BOLT		04
61	0503010244	7/16" NUT		04
62	0521012415	2220 TRANSMITTER AXLE		01
63	0531061723	BUMPER WITH CLIP		01
64	0521068793	TRACTOR TRACTOR		01
65	0521010681	BUSHING COUPLING BODY		01
66	0521010639	COUPLING SHAFT		01
67	0503010571	1/4" X 1.1/2 COTTERPIN		01
68	0511063853	LARGER DEFLECTOR		01
69	0521017623	0.5" X 1.5" COUPLING SHAFT		04
70	0503030168	HITCH PIN CLIP		04
71	0503011098	1/4" GREASE FITTING		04
72	0503011445	SPRING WASHER		18
73	0501012140	FLAT WASHER		08
74	0501069017	12Z GEAR		01
75	0531050089	FULL DISK PROTECTOR		01
76	0503011267	5/8 UNC X 1.1/2 C S G.5 ZN BOLT		02
77	0503010013	5/8 NUT		02
78	0511041213	AGRICULTURAL BEARING	13	01
79	0503010905	1/2" X 2-1/4" BOLT		02
80	0501044308	AGRICULTURAL BEARING ASSY	15	04
81	0501053868	BELT TENSIONER ASSY	16	01
82	0521053161	CARDAN SUPPORT WITHOUT SPRING	17	01
83	0521068824	PROTECTION SUPPORT BEARING		01
84	0503010740	BOLT 1/2 UNC X 2 CS G.5 ZN		10
85	0581017505	INTERMEDIARY SUPPORT AXLE PROTECTION		01
86	0503010905	1/2" X 2-1/4" BOLT		02
87	0521068825	SUPPORT AXLE PROTECTION		01
88	0521068822	BEARING PROTECTION		03
89	0521068791	TRANSMISSION PROTECTION COVER		01
90	0521068109	FIXER PROTECTION COVER		01



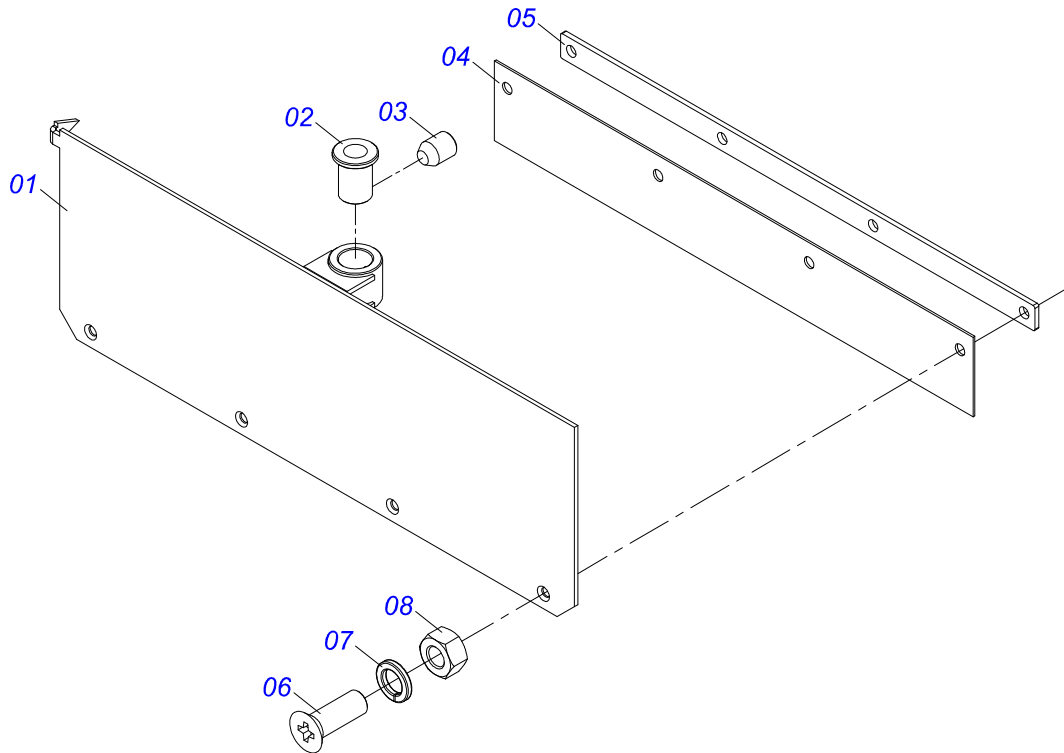
<b>Item</b>	<b>Code</b>	<b>Description</b>	<b>See page</b>	<b>QT</b>
91	0531014324	TOOTH COVER		01



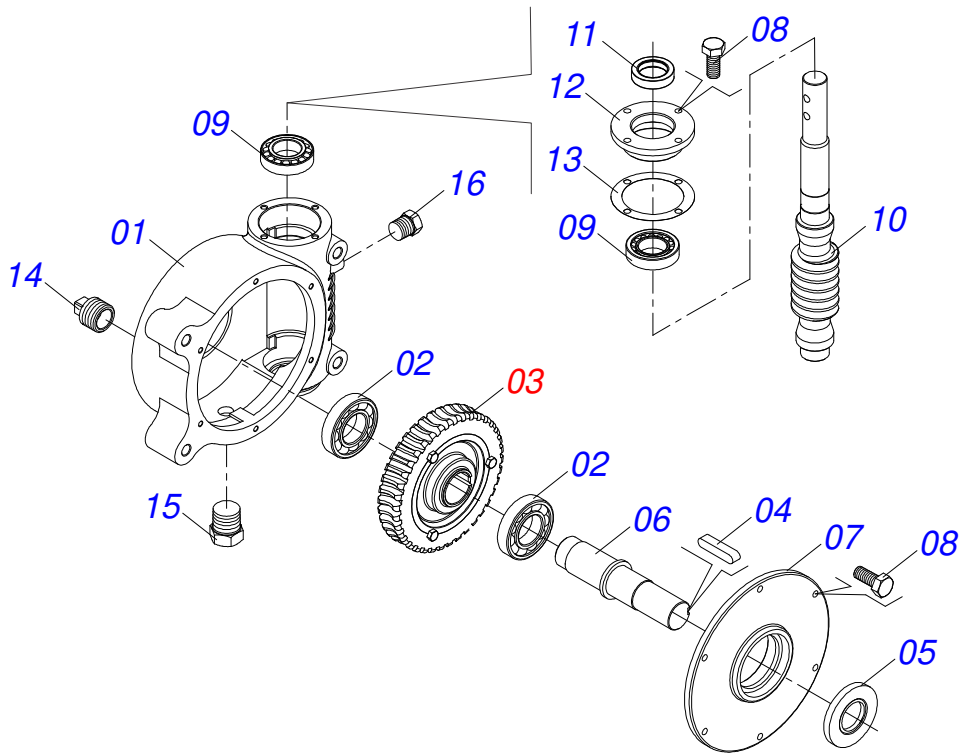
Item	Code	Description	See page	QT
01	0511063410	SLUICE VALVE SUPPORT		01
02	0503010363	BOLT 5/16 UNC X 1 C S G.2 ZN		02
03	0503011444	SPRING WASHER		02
04	0503010337	5/16" NUT		02
05	0511059094	SHAFT BEARING THREADED	5	01



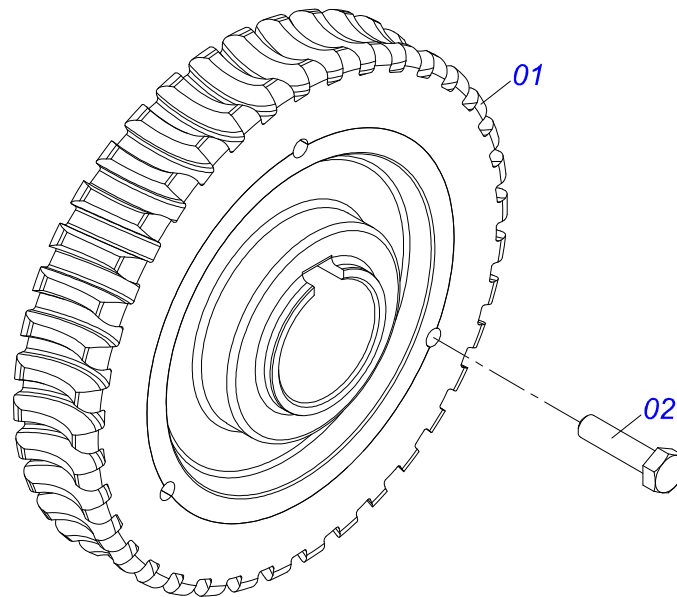
Item	Code	Description	See page	QT
01	0502010581	ROD BEARING		01
02	0521010458	SLEEVE		01
03	0521010457	SLEEVE		01
04	0503010004	1890 GREASE FITTING		01



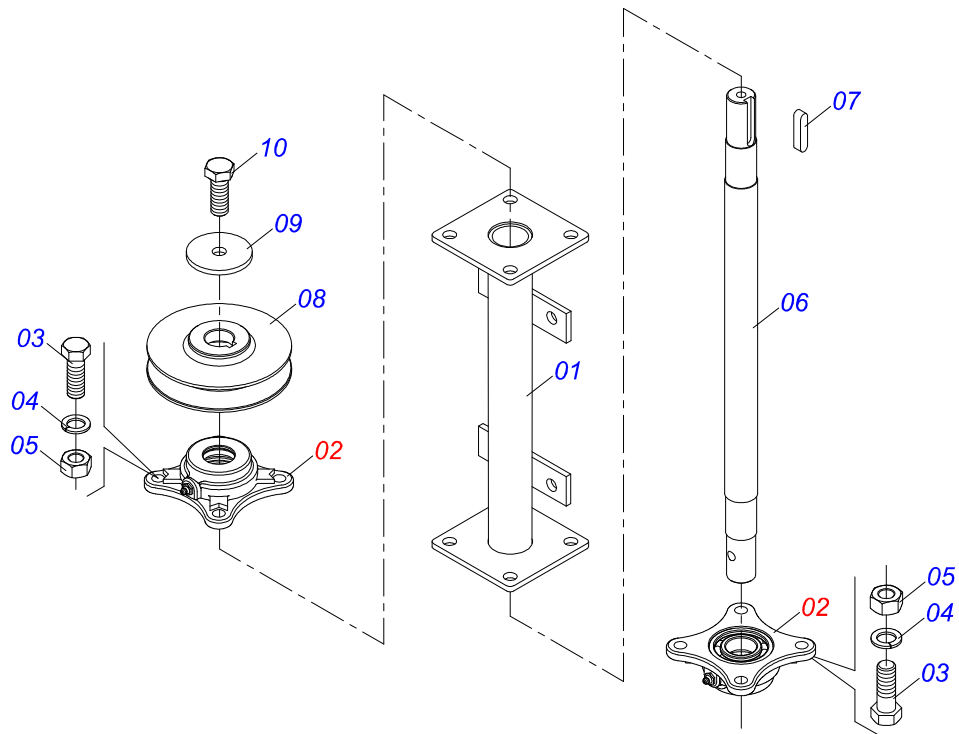
Item	Code	Description	See page	QT
01	0511063413	SLUICE VALVE COVER		01
02	0501019831	ADJUSTING NUT		01
03	0503011148	3/8" X 1/2" BOLT		01
04	0531014336	31.4"X3.1"X 0.1" PROTECTION SMALLER		01
05	0531014331	SLUICE VALVE FIXER COVER		01
06	0503010546	5/16" X 7/8" BOLT		05
07	0503011444	SPRING WASHER		05
08	0503010337	5/16" NUT		05



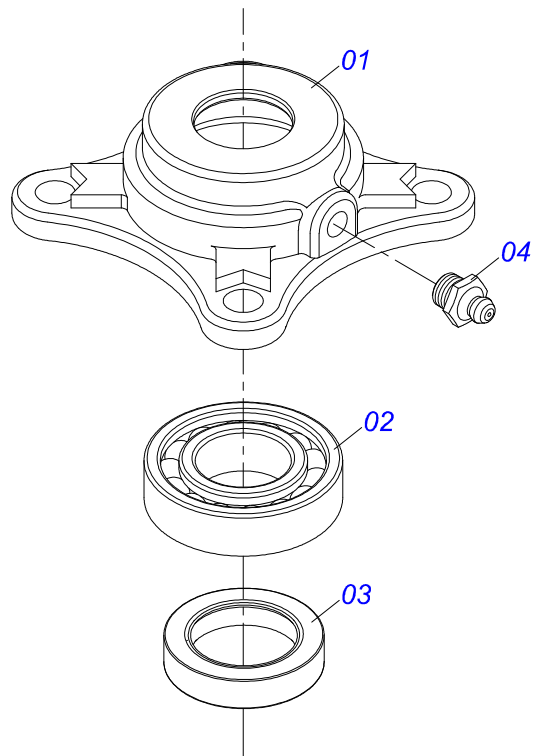
Item	Code	Description	See page	QT
01	0502011456	REDUCTION BOX		01
02	0503011095	6208 BALL BEARING		02
03	0501051774	38Z CROWN	8	01
04	0503011304	1/2" X 2.4" KEYWAY SQUARE		01
05	0503010818	02675-BRG SEAL		01
06	0521010996	AXLE		01
07	0502020556	LARGER COVER		01
08	0503010240	BOLT		10
09	0503010016	BEARING LM		02
10	0521010997	SCREW THEAD		01
11	0503011171	00912-BRG SEAL		01
12	0502011457	SMALLER COVER		01
13	0503030981	102 X 75,5 X 0,10 JOINT		01
14	0521011023	PLUG		01
15	0513010009	LEVEL DISPLAY		01
16	0503010856	OIL PLUG		01



Item	Code	Description	See page	QT
01	0501110280	38Z CONICAL		01
02	0503010365	BOLT 5/16 UNC X 1.1/4 C S G.5 ZN		03

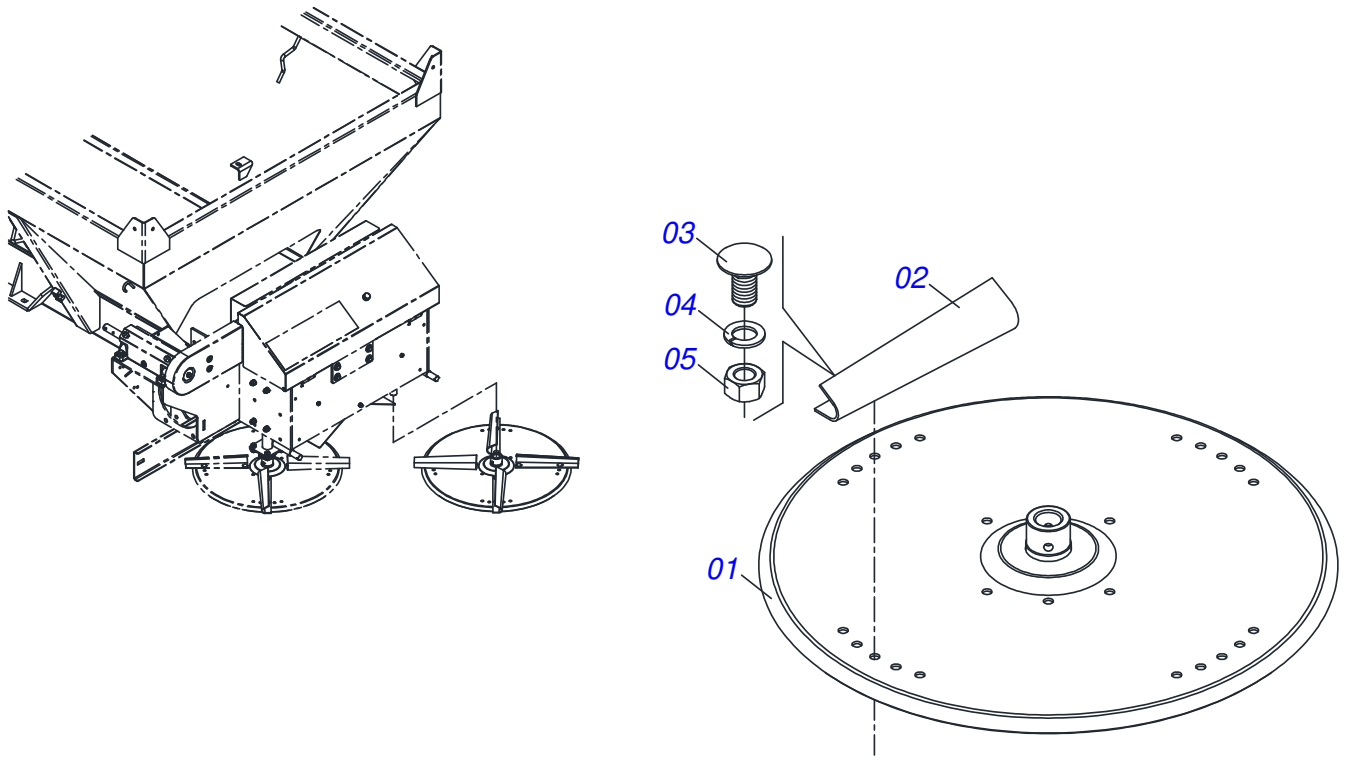


Item	Code	Description	See page	QT
01	0511063742	DISTRIBUTOR RIGHT/LEFT SUPPORT		01
02	0501048000	AGRICULTURAL BEARING	10	02
03	0503011135	BOLT		08
04	0503011446	SPRING WASHER		08
05	0503010244	7/16" NUT		08
06	0511016489	DISTRIBUTOR AXLE CONDUCTOR DISC		01
07	0501010536	KEYWAY SQUARE		01
08	0502011361	REEL 1C 5.5" X 1.1" PULLEY		01
09	0511014052	FLAT WASHER		01
10	0503010237	3/8" X 1" BOLT		01

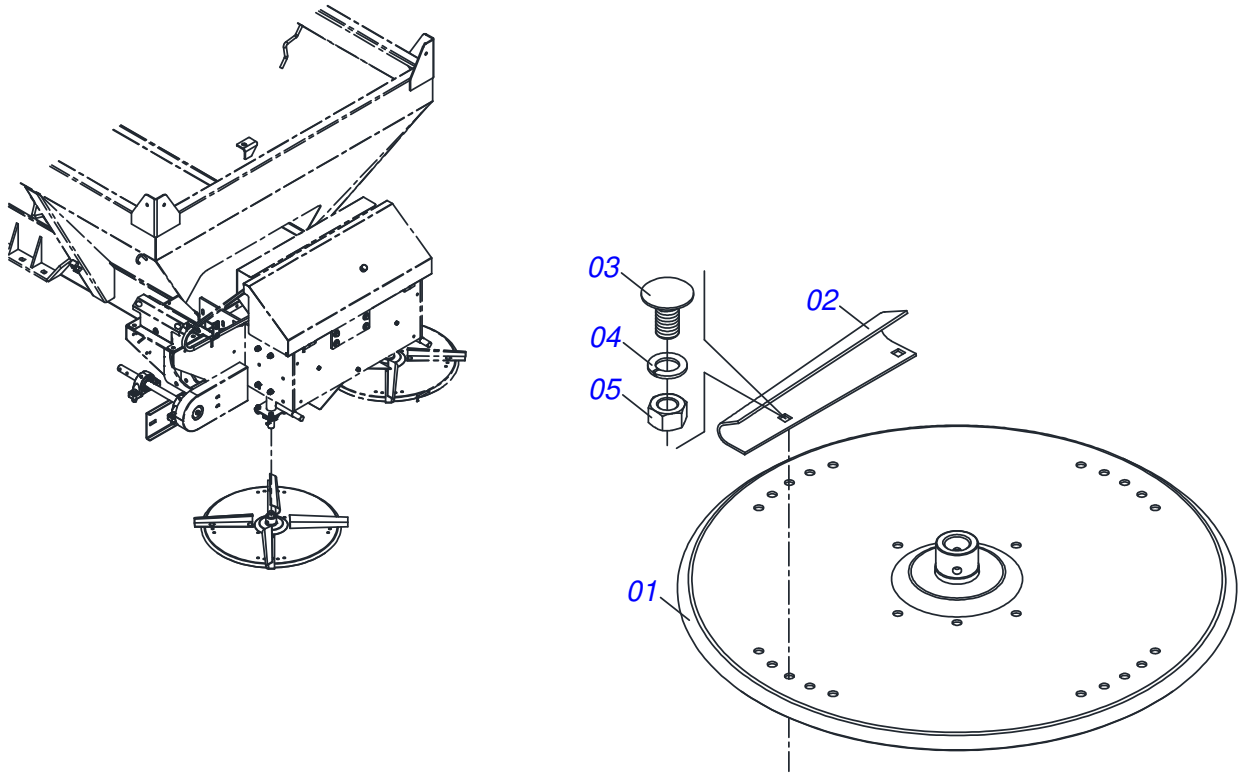


Item	Code	Description	See page	QT
01	0502011442	AGRICULTURAL HOUSING BEARING		01
02	0503010276	6206 BALL BEARING		01
03	0503011865	SEAL		01
04	0503010002	1800 GREASE FITTING		01

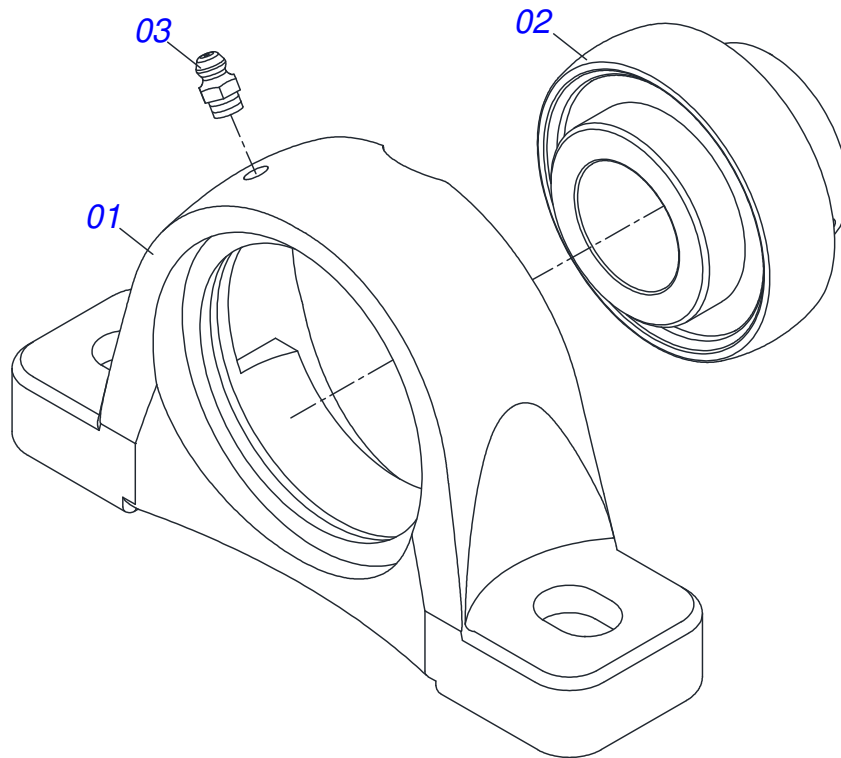




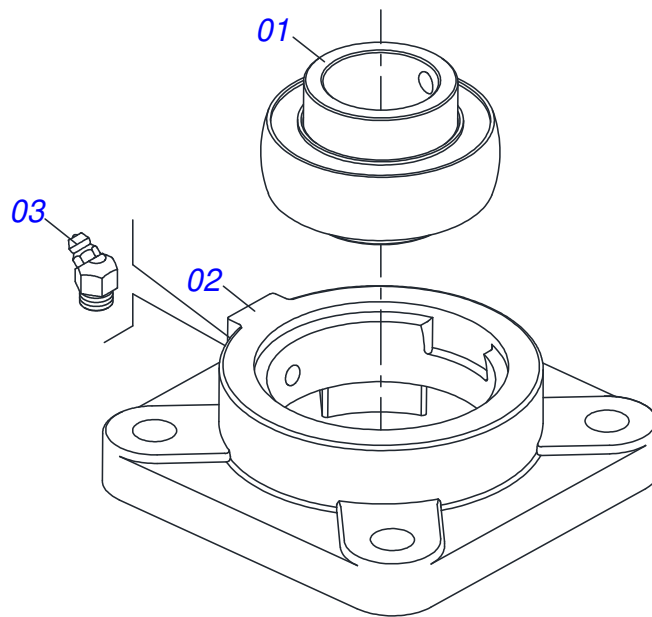
Item	Code	Description	See page	QT
01	0511063411	DISTRIBUTOR DISC		01
02	0531014343	RH FLIP		04
03	0503013029	3/8" X 3/4" BOLT		08
04	0503011443	3/8" SPRING WASHER		08
05	0503010026	3/8" NUT		08



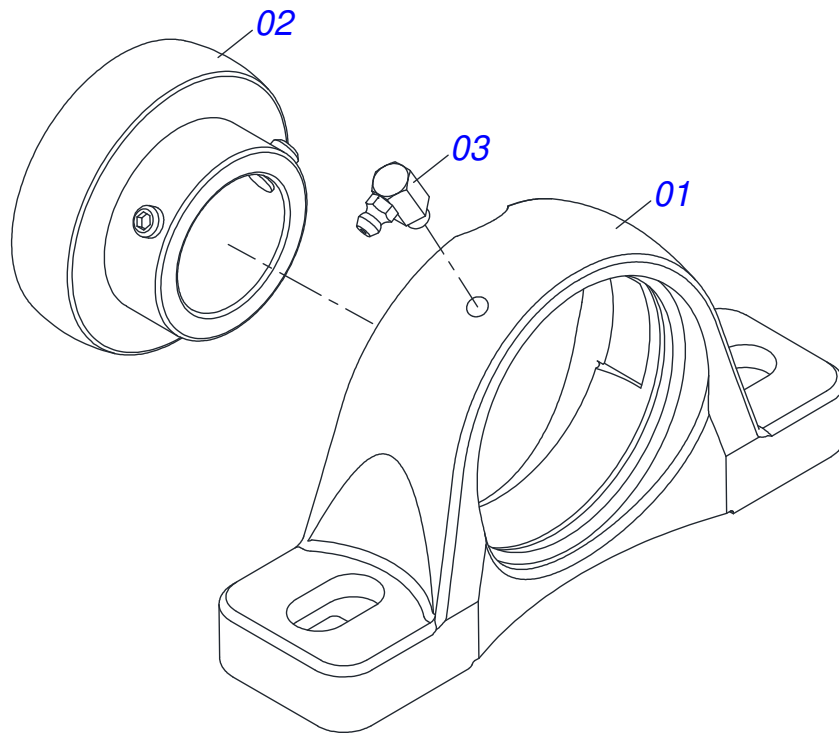
Item	Code	Description	See page	QT
01	0511063411	DISTRIBUTOR DISC		01
02	0531014344	LH FLIP		04
03	0503013029	3/8" X 3/4" BOLT		08
04	0503011443	3/8" SPRING WASHER		08
05	0503010026	3/8" NUT		08



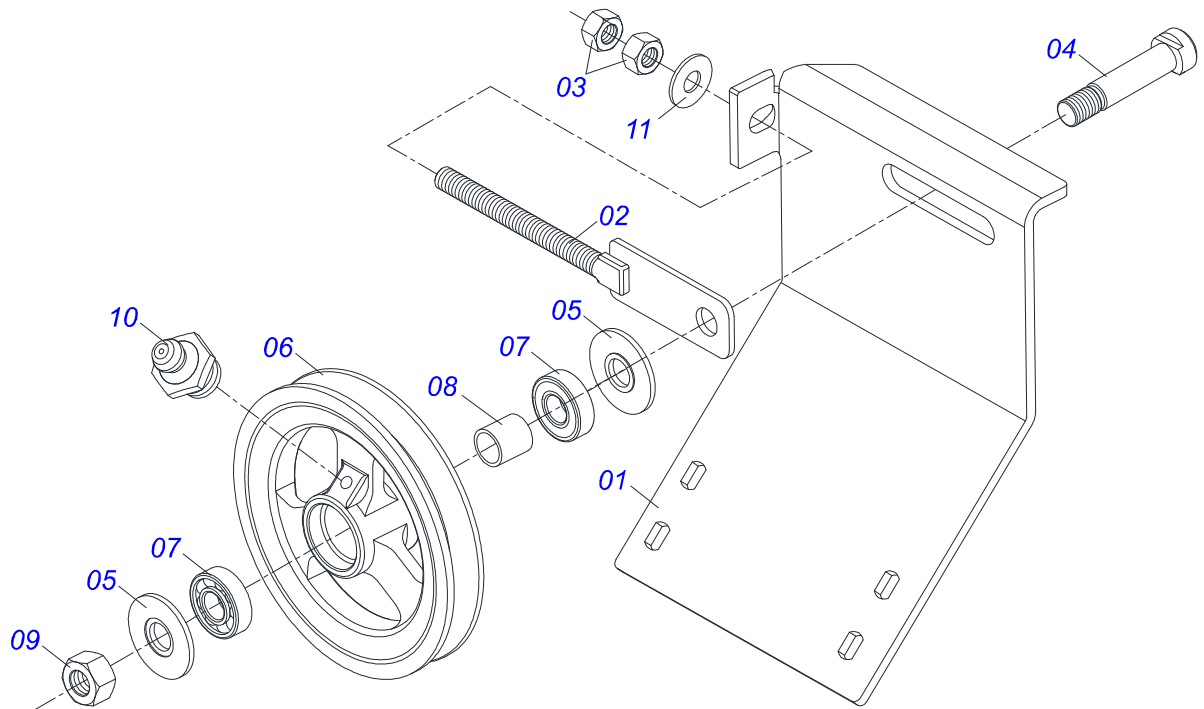
Item	Code	Description	See page	QT
01	0502011954	AGRICULTURAL HOUSING BEARING		01
02	0503011884	BALL BEARING		01
03	0503010691	1/4" GREASE FITTING		01



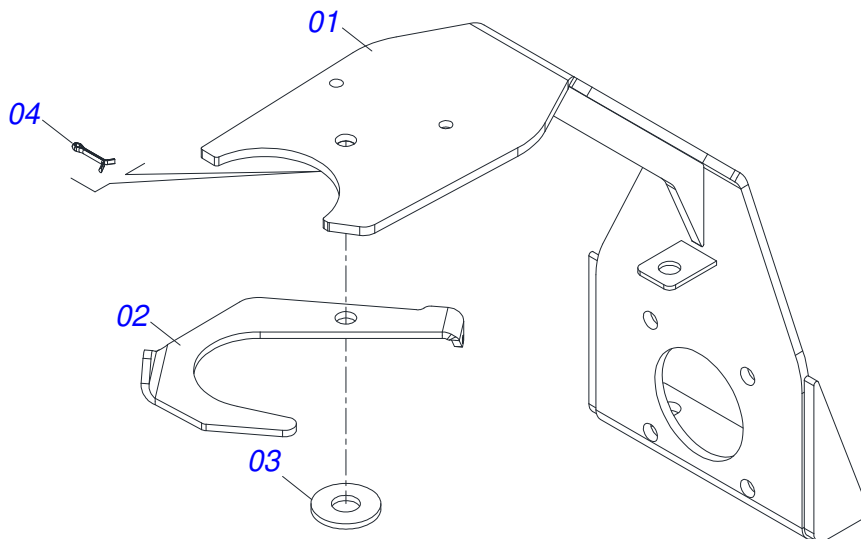
Item	Code	Description	See page	QT
01	0503011162	BALL BEARING		01
02	0503011146	HOUSING BEARING		01
03	0503011099	GREASE FITTING		01



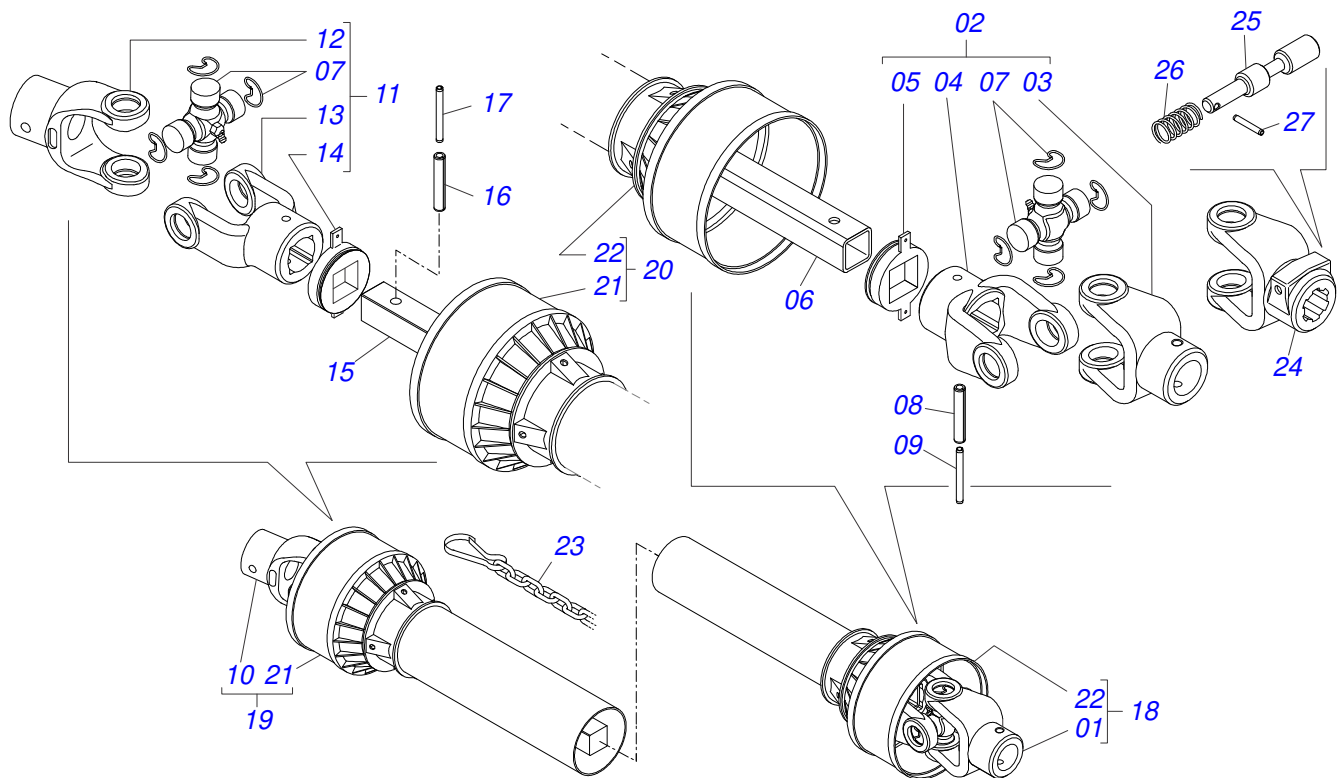
Item	Code	Description	See page	QT
01	0502011050	AGRICULTURAL HOUSING BEARING		01
02	0503011163	1108/UCR BEARING ASSY		01
03	0503010004	1890 GREASE FITTING		01



Item	Code	Description	See page	QT
01	0531014326	PULLEY BODY SUPPORT		01
02	0511064818	PULLEY TENSIONER		01
03	0503010013	5/8 NUT		02
04	0511012362	TIGHTENER AXLE PULLEY		01
05	0501019288	WASHER SPACER		02
06	0502011366	REEL 1C 8.3" X 1.6" PULLEY		01
07	0503010690	6204 BALL BEARING		02
08	0521010497	0.8" X 1.1" X 1.1" SPACER		01
09	0503010014	3/4" HEX NUT		01
10	0503010002	1800 GREASE FITTING		01
11	0501012140	FLAT WASHER		01

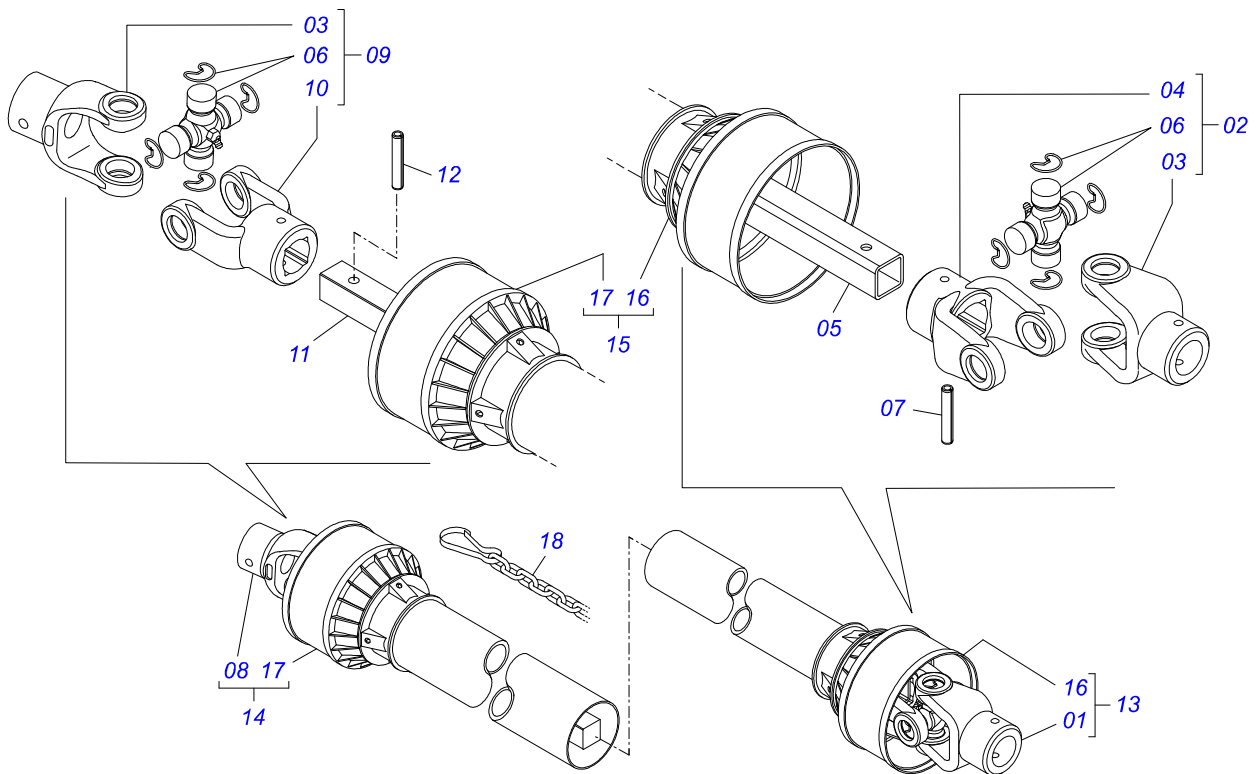


Item	Code	Description	See page	QT
01	0521068817	SUPPORT SUSTENANCE CARDAN		01
02	0511014066	SMALLER CARDAN SUPPORT		01
03	0511017302	FLAT WASHER 13,50 X 32,50 X 3,0 ZN		01
04	0503010257	1/8" X 1" COTTERPIN		01

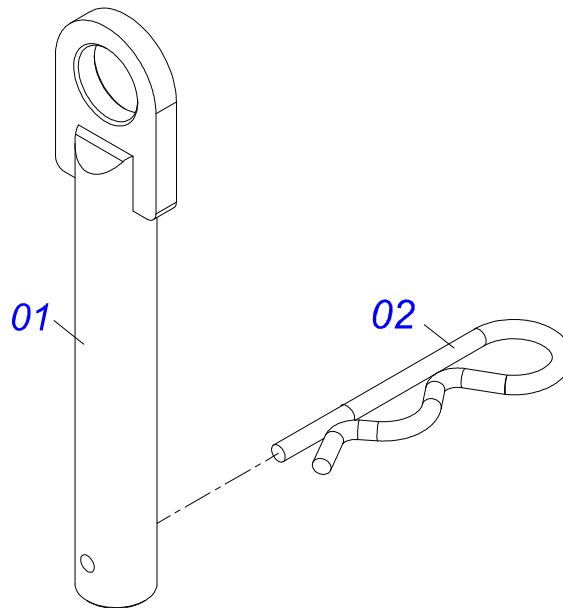


Item	Code	Description	See page	QT
01	0501052176	SLEEVE UNIVERSAL JOINT	01	01
02	0501050265	UNIVERSAL JOINT	01	01
03	0501050333	1-40 TERMINAL WITH HITCH	01	01
04	0502010565	2-40 TERMINAL WITH SH 1.5"/1.5"	01	01
05	0503012069	ADAPTER FOR BUSHING PROTECT	01	01
06	0521013800	16" X 1.4" SQUARE SLEEVE	01	01
07	0503010836	CARDAN CROSSPIECE	02	01
08	0503011069	0.4" X 2.8" SPRING PIN	01	01
09	0503010510	0.2" X 2.6" SPRING PIN	01	01
10	0501052177	AXLE UNIVERSAL JOINT	01	01
11	0501052178	UNIVERSAL JOINT	01	01
12	0502011611	9-40 TERMINAL	01	01
13	0502010566	3-40 TERMINAL WITH SH 1.2"/1.2"	01	01
14	0503012070	ADAPTER FOR AXLE PROTECTION	01	01
15	0521013801	1.2" X 15.7" SQUARE SHAFT	01	01
16	0503010361	SPRING PIN	01	01
17	0503010756	0.2" X 2.4" SPRING PIN	01	01
18	0501052179	PROT/SLEEVE UNIVERSAL JOINT	01	01
19	0501052180	PROT/AXLE UNIVERSAL JOINT	01	01
20	0503012277	PROTECTION ASSY	01	01
21	0503012279	PROTECTION FOR UNIV JOINT AND AXLE	01	01
22	0503012278	PROTECTION FOR UNIV JOINT SLEEVE	01	01
23	0503012023	CHAIN FOR PROTECTION	02	01
24	0502010563	1-40 STRIATED 1.3/8" TERMINAL	01	01
25	0521010638	13,70 X 78 HITCH PIN	01	01
26	0503030518	0.5"X1.0"X 0.1" COMPRESSION SPRING	01	01
27	0503010838	0.1" X 0.8" SPRING PIN	01	01

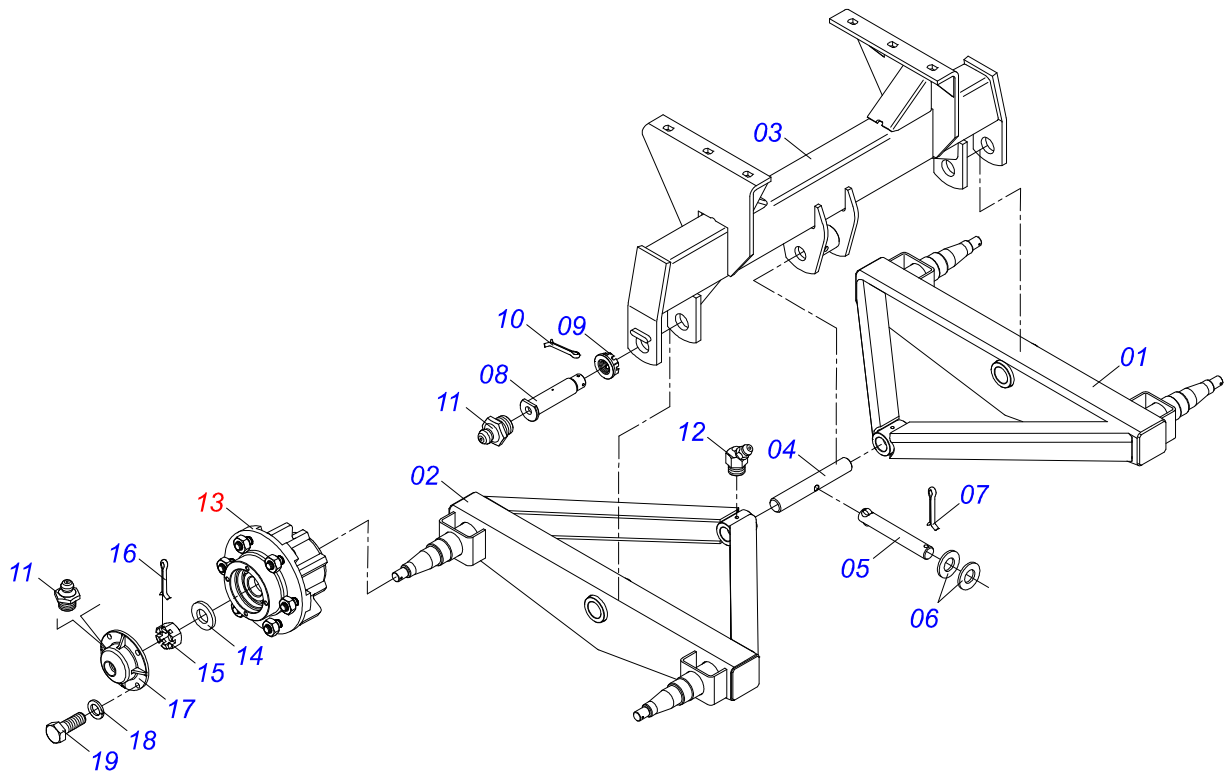




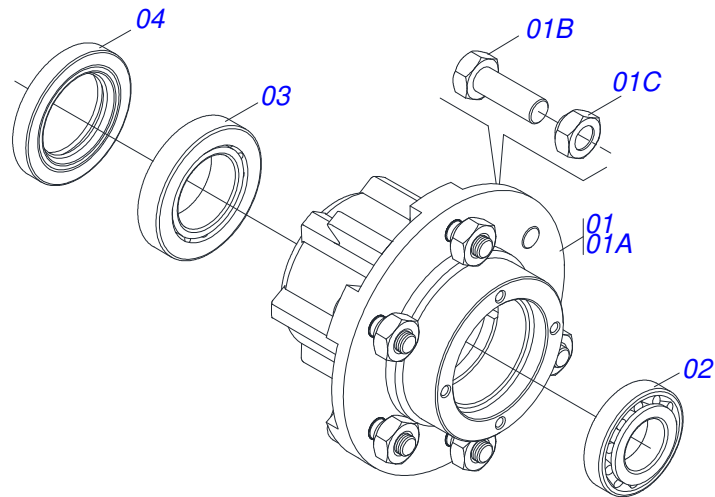
Item	Code	Description	See page	QT
01	0501052171	SLEEVE UNIVERSAL JOINT		01
02	0501051718	UNIVERSAL JOINT		01
03	0502010558	4-20 TERMINAL WITH ROLES		02
04	0502011426	2-20 TERMINAL		01
05	0521013799	0.9" X 47" SQUARE SLEEVE		01
06	0503010835	CARDAN CROSSPICE		02
07	0503010839	03"X 0.6" SPRING PIN		01
08	0501052172	AXLE UNIVERSAL JOINT		01
09	0501051720	UNIVERSAL JOINT		01
10	0502011427	3-20 TERMINAL		01
11	0521013796	0.9" X 47" SQUARE SHAFT		01
12	0503010301	0.3" X 1.8" SPRING PIN		01
13	0501052170	PROT/SLEEVE UNIVERSAL JOINT		01
14	0501052173	PROT/AXLE UNIVERSAL JOINT		01
15	0503012274	PROTECTION ASSY		01
16	0503012275	PROTECTION FOR UNIV JOINT SLEEVE		01
17	0503012276	PROTECTION FOR UNIV JOINT AND AXLE		01
18	0503012023	CHAIN FOR PROTECTION		02



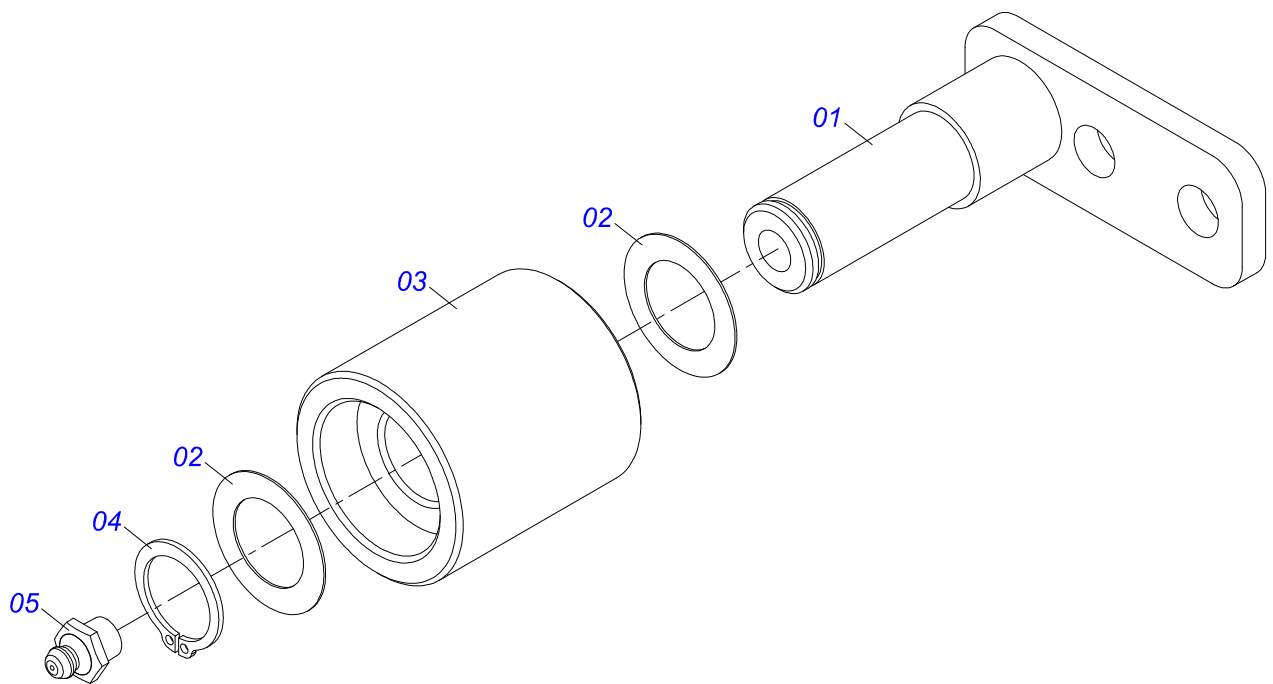
Item	Code	Description	See page	QT
01	0501068989	COUPLING SHAFT		01
03	0503031035	HITCH PIN CLIP		01



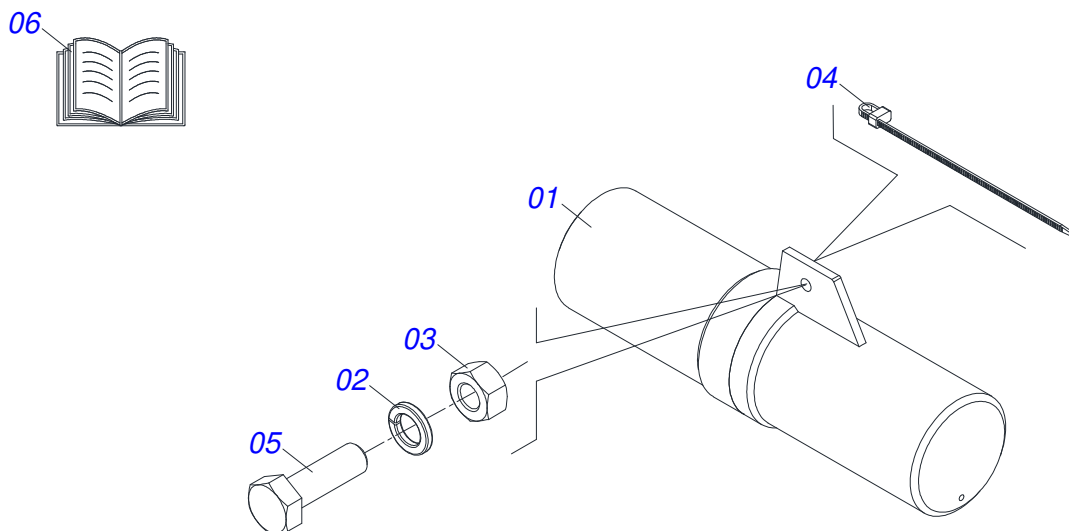
Item	Code	Description	See page	QT
01	0501069577	RIGHT ROCKER ARM		01
02	0501069578	LEFT BELL CRANCK		01
03	0511063855	ROCKER ARM SUPPORT FIXATION		01
04	0521012427	1.5" X 11.4" COUPLING SHAFT		01
05	0521010553	0.5" X 3" COUPLING SHAFT		01
06	0511017302	FLAT WASHER 13,50 X 32,50 X 3,0 ZN		02
07	0503010257	1/8" X 1" COTTERPIN		01
08	0521012431	1-1/2" 7.6 PIVOT SHAFT		02
09	0501011301	1.1/2 UNC 6FPP 2.5/16 NUT		02
10	0503010010	1/4" X 2.1/2" COTTERPIN		02
11	0503010002	1800 GREASE FITTING		06
12	0503010003	1845 GREASE FITTING		02
13	0501051142	CARRYING WHEEL HUB	22	04
14	0501016545	FLAT WASHER		04
15	0503030009	1" CASTLE NUT		04
16	0503010131	3/16" X 1-1/2" COTTERPIN		04
17	0502020591	PROTECCION COVER		04
18	0503011444	SPRING WASHER		16
19	0503010358	5/16" X 5/8" BOLT		16



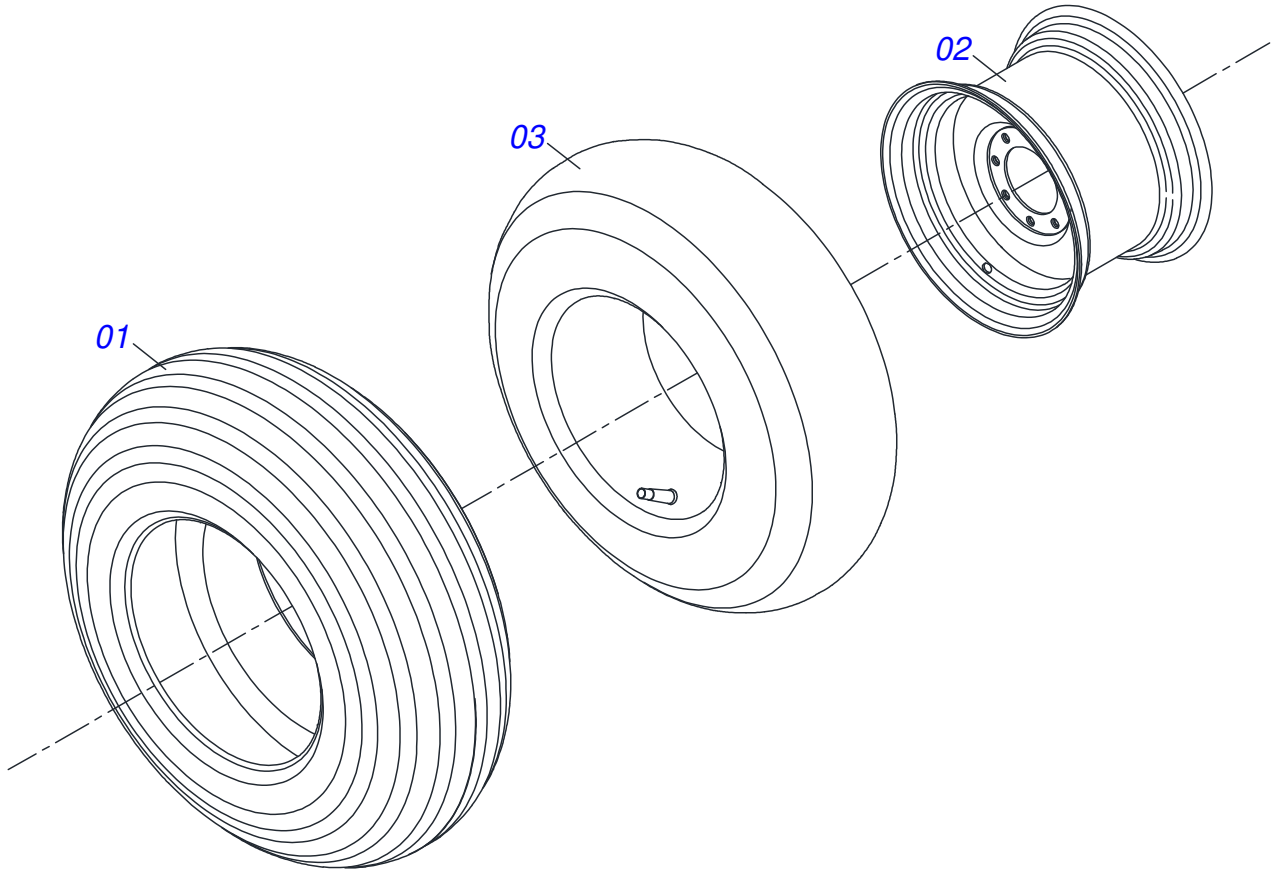
Item	Code	Description	See page	QT
01	0501110728	WHEEL HUB		01
01A	0502011121	CARRYING WHEEL HUB		01
01B	0501010127	9/16" X 1-7/8" LUG BOLT		06
01C	0503010035	9/16" CONIC NUT		06
02	0503010037	30207 ROLLER BEARING		01
03	0503010006	32210 ROLLER BEARING		01
04	0503012928	SEAL		01



Item	Code	Description	See page	QT
01	0501067692	BELT TENSIONER BODY		01
02	0511015098	FLAT WASHER		02
03	0511017041	TENSIONER ROLD		01
04	0503010302	501019 SEAL RING		01
05	0503010002	1800 GREASE FITTING		01



Item	Code	Description	See page	QT
01	0503060100	INSTRUCTIONS MANUAL CANISTER		01
02	0503010179	LOCK WASHER 5/16 ZN 1K01528		01
03	0503010337	5/16" NUT		01
04	0503010267	NYLON CLAMP		01
05	0503010363	BOLT 5/16 UNC X 1 C S G.2 ZN		01
06	0511031524	PACKING WITH INSTRUCTION MANUAL		01



Item	Code	Description	See page	QT
01	0503010858	CANVAS TIRE		01
02	0503011468	WEEL		01
03	0503010860	AIR CHAMBER 11L 15		01







***civemasa***

**Technical Publications | Elaboration and Revision**

LORENA ROCHA ALVES

[www.civemasa.com.br](http://www.civemasa.com.br)

