

LIME AND FERTILIZER SPREADER

DFCO 7.5 MC STARTER WITH HYDRAULIC

Code: 0501093227

Series: S-0114

Revision: 01

Revision Date: JULHO/2023

PARTS CATALOGUE


CIVEMASA

PRODUCTS

Code	Description
0120480008	DFCO 7.5 MC C/ACIONAM HIDR S-0114

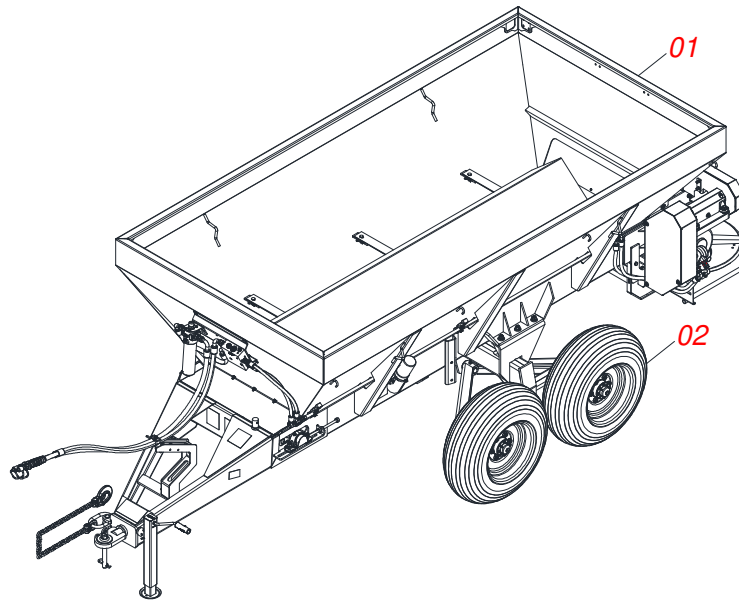
ATTENTION: IMPORTANT

CIVEMASA reserves the right to improve and/or modify the technical features of its products, without obligation to do the same with those products already sold and without prior knowledge of the dealer or the customer. The photos are only illustrative.

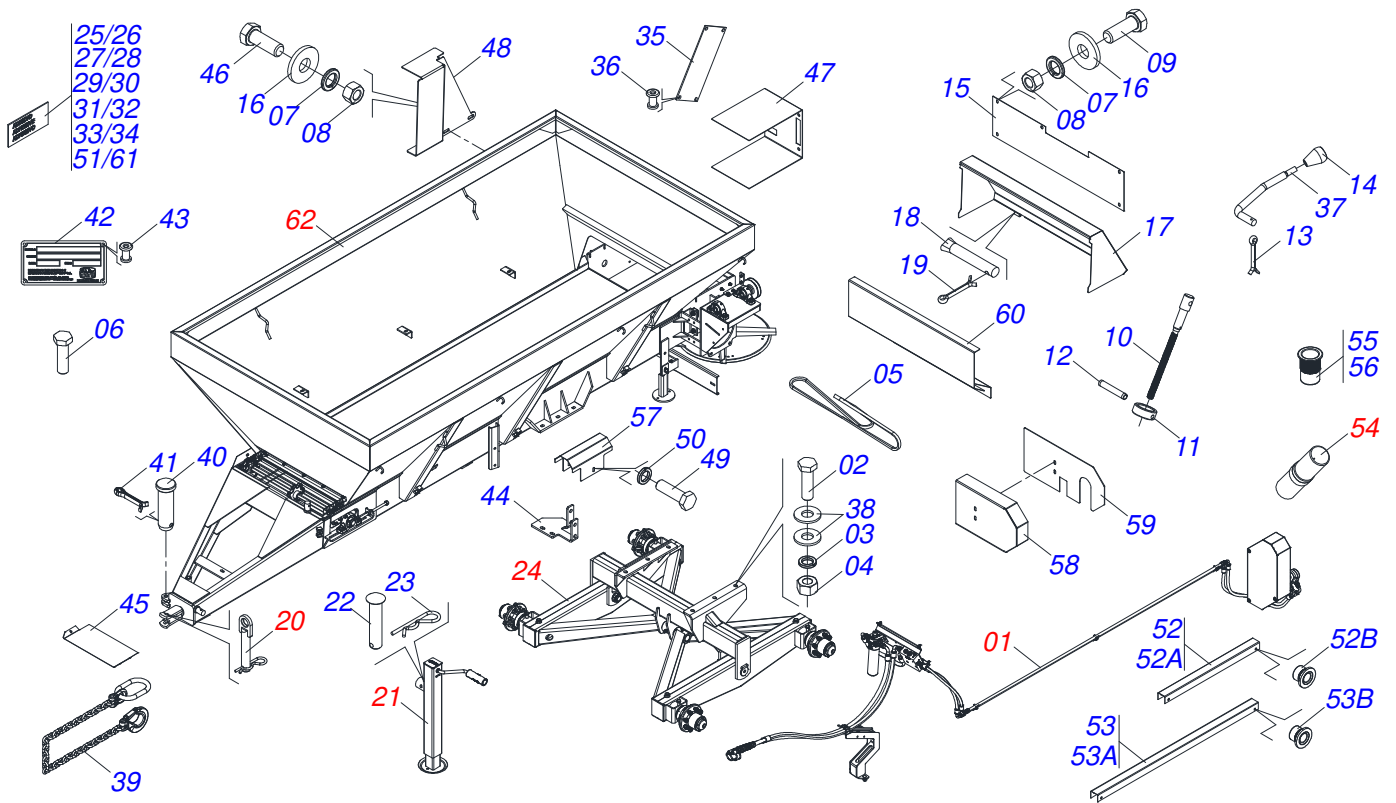


INDEX

0909096119	ASSY FRAME	1
0521044847	ASSY FRAME	2
0521058129	HYDRAULIC DRIVE ASSY	3
0521058094	SUPPORT HOSE	4
0521057951	SUPPORT SIMPLE HYDRAULIC DRIVE	5
0521057953	BLOCK HYDAC	6
0521057952	FILTER PRES PARKER HDA FP20 10FV 06B LV6	7
0521057599	FILTER PRESS PARKER HDA FP20 10FV 06B LV6 WITH NIPPLE	8
0511054496	TENSIONER SMALEER ASSY	9
0511054497	TENSIONER LARGER ASSY	10
0501053834	MALE QUICK COUPLER	11
0511053588	MOTOR HYDRAULIC OMP 80 WITH NIPPLE 7/8 NIPPE 7/8	12
0521058120	SIMPLE HYDRAULIC ACTUATION HOSE SET	13
0501047881	AXIS JOINT ASSY	14
0503062157	DRAWBAR JACK	15
0511041064	FIXING STAND ASSY	16
0501051142	CARRYING WHEEL HUB	17
0531051123	CATALOGUE/MANUAL CANISTER ASSY	18
0511056279	FRAME WITH BUCKET	19
0511059105	SLUICE VALVE SUPPORT	20
0511059094	SHAFT BEARING THREADED	21
0511059108	SLUICE VALVE COVER ASSY	22
0501047985	REDUCER	23
0501051774	38Z CROWN	24
0501054013	RIGHT BEARRING SUPPORT DISC	25
0501048000	AGRICULTURAL BEARING	26
0501053870	DISTRIBUTOR RIGHT DISC ASSY	27
0501053871	DISTRIBUTOR LEFT DISC ASSY	28
0511041213	AGRICULTURAL BEARING	29
0501044308	AGRICULTURAL BEARING ASSY	30
0501053868	BELT TENSIONER ASSY	31
0503060181	WHEEL AND TIRE	32

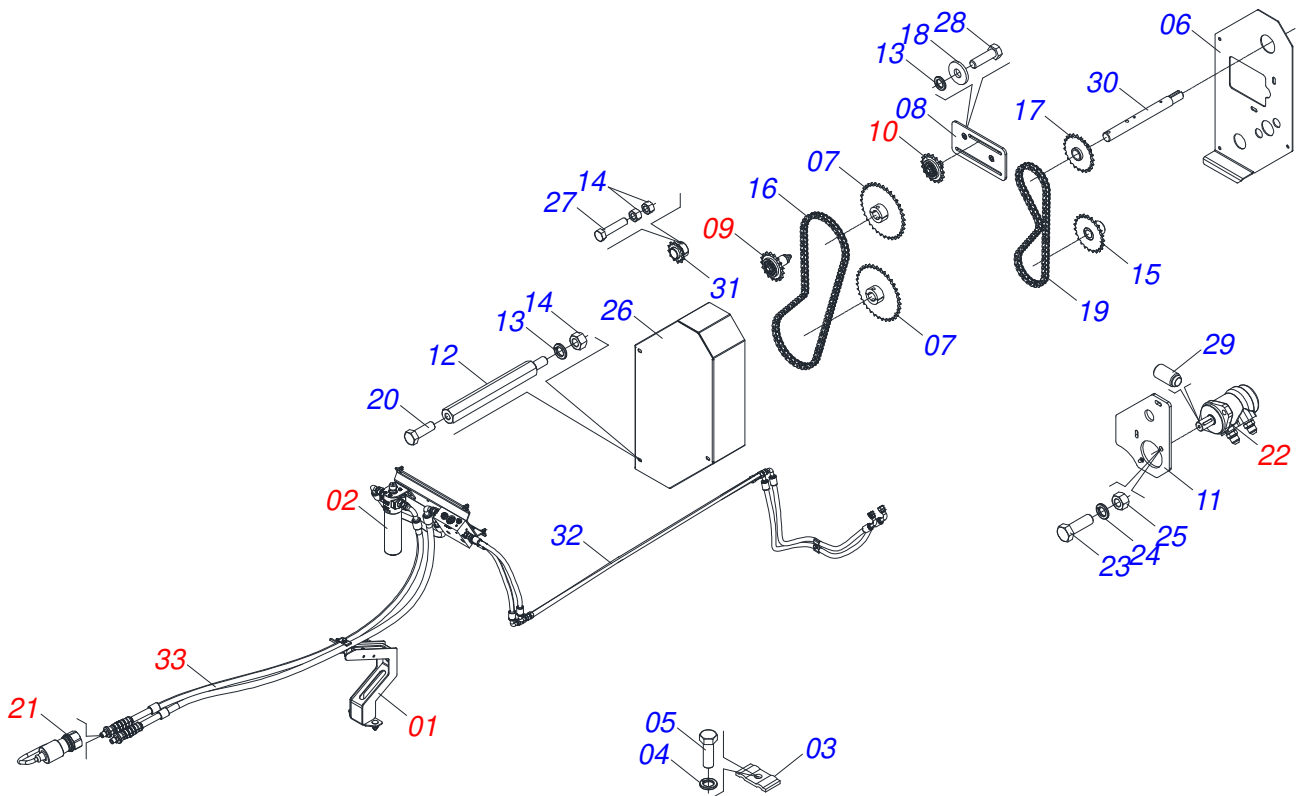


Item	Code	Description	See page	QT
01	0521044847	ASSY FRAME	2	01
02	0503060181	WHEEL AND TIRE	32	04



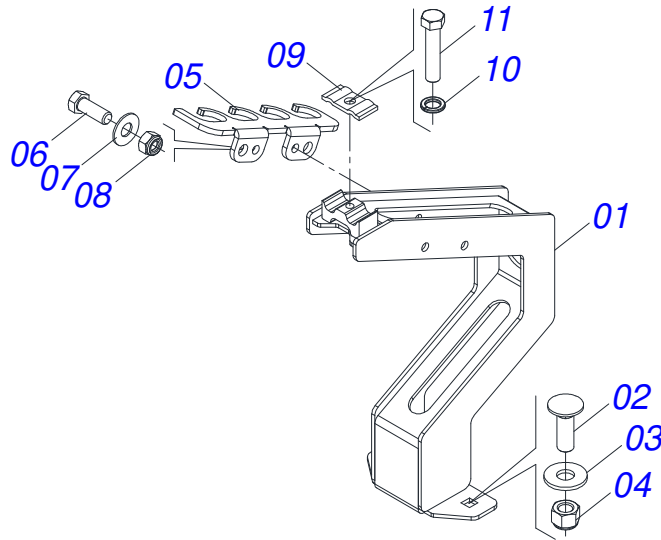
Item	Code	Description	See page	QT
01	0521058129	HYDRAULIC DRIVE ASSY	3	01
02	0503010899	5/8 UNC X 2.1/4 BOLT		06
03	0503010027	5/8 SPRING WASHER		06
04	0503010013	5/8 NUT		06
05	0503012941	C-148 BELT		01
06	0503010751	C3/8" X 1.1/4" HEX BOLT G.5		02
07	0503010025	3/8 SPRING WASHER		13
08	0503010026	3/8" NUT		11
09	0503010237	3/8" X 1" BOLT		11
10	0561014861	REGULATOR		01
11	0511013015	SLEEVE		01
12	0503010561	SPRING PIN		01
13	0503010257	1/8" X 1" COTTERPIN		01
14	0503030878	LEVER CRANK		01
15	0531014340	REAR PROTECTION		01
16	0501010984	10,50 X 27 X 3,00 FLAT WASHER		13
17	0511063408	REAR COVER PROTECTION		01
18	0501017574	0.3" X 2.7" AXLE		02
19	0503010140	1/8" X 3/4" COTTERPIN		02
20	0501047881	AXIS JOINT ASSY	14	01
21	0503062157	DRAWBAR JACK	15	01
22	0521010549	COUPLING SHAFT		01
23	0503030168	HITCH PIN CLIP		01
24	0511041064	FIXING STAND ASSY	16	01
25	0503034152	BADGE		02
26	0503034153	BADGE		06
27	0503031859	ADHESIVE LABEL DANGER		02
28	0503031428	READ MANUAL DECAL		01
29	0503031827	LUBRICATE AND RETIGHTEN DAILY DECAL		01
30	0503033647	APPROVED BADGE		01
31	0503031818	ADHESIVE LABEL		01

Item	Code	Description	See page	QT
32	0503031809	ADHESIVE LABEL		01
33	0503032425	ADHESIVE LABEL ATTENTION		01
34	0503032949	ADHESIVE LABEL		01
35	0503030751	REGULATOR PLATE		01
36	0503012209	RIVET POP		04
37	0521011107	CRANK BODY		01
38	0501012140	FLAT WASHER		12
39	0503013150	1300 X 3/8 CHAIN		01
40	0581011220	COUPLING SHAFT		01
41	0503010131	3/16" X 1-1/2" COTTERPIN		01
42	0503034004	ALUMINUM IDENTIFICATION LABEL		01
43	0503010001	3.2 X 5.5 RIVET		04
44	0521068801	SUPPORT BELT PROTECTION		01
45	0581017452	FRONT PROTECTION BELT		01
46	0503010849	3/8" X 1-1/2" BOLT		06
47	0581017453	FLANGE PROTECTION COVER		01
48	0581017469	PROTECTION SIDE		01
49	0503010240	BOLT		02
50	0503010179	LOCK WASHER 5/16 ZN 1K01528		02
51	0503034648	ADHESIVE LABEL		01
52	0531059016	SMALL TRANSMISSION SHAFT PROTECTION		01
52A	0581017461	SMALL AXLE PROTECTION COVER		01
52B	0503019729	THREAD SCREW INTERNAL		04
53	0531059015	TRANSMISSION SHAFT PROTECTION		01
53A	0581017463	SMALL AXLE PROTECTION COVER		01
53B	0503019729	THREAD SCREW INTERNAL		04
54	0531051123	CATALOGUE/MANUAL CANISTER ASSY	18	01
55	0503019413	THREAD SCREW INTERNAL		04
56	0503019416	RIVET SCREW THREAD INTERNAL		02
57	0581015152	COVER PROTECTION		01
58	0581017450	BELT SIDE PROTECTOR		01
59	0521068792	COVER PROTECTION		01
60	0521068794	BELT INTERNAL PROTECTION		01
61	0503035156	LABEL ADHESIVE		01
62	0511056279	FRAME WITH BUCKET	19	01

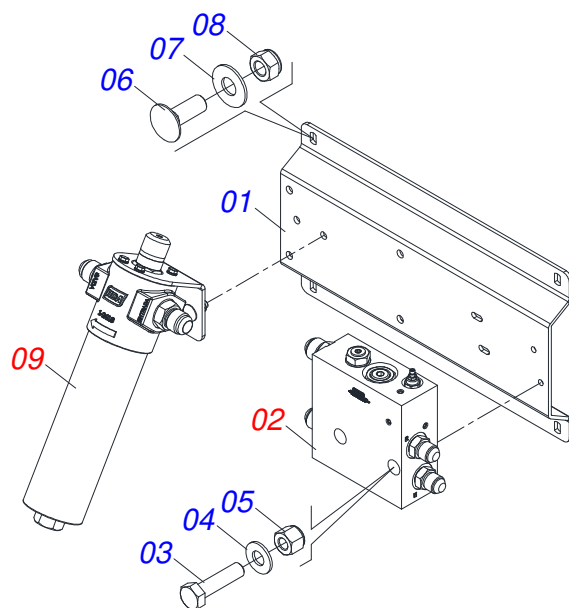


Item	Code	Description	See page	QT
01	0521058094	SUPPORT HOSE	4	01
02	0521057951	SUPPORT SIMPLE HYDRAULIC DRIVE	5	01
03	0531011180	UPPER BODY CLIP		04
04	0503010180	7/16" SPRING WASHER		04
05	0503011102	BOLT 7/16 UNC X 1.1/4 C S G.5 ZN		04
06	0571015456	PROTECTION REAR		01
07	0501069020	35Z GEAR		02
08	0521064691	SUPPORT TENSIONER		01
09	0511054496	TENSIONER SMALLER ASSY	9	01
10	0511054497	TENSIONER LARGER ASSY	10	01
11	0571015182	HIDRAULIC MOTOR SUPPORT		01
12	0571015189	PRISONER 3/8"		03
13	0503010025	3/8 SPRING WASHER		07
14	0503010026	3/8" NUT		13
15	0521064566	GEAR HIDRAULIC MOTOR		01
16	0503013003	50-1 CHAIN X 79 LINK + REDUCTION + MENDING		01
17	0521063041	GEAR 23Z		01
18	0501010984	10,50 X 27 X 3,00 FLAT WASHER		09
19	0503013061	50-1 CHAIN X 64 LINK + REDUCTION		01
20	0503010240	BOLT		03
21	0501053834	MALE QUICK COUPLER	11	02
22	0511053588	MOTOR HYDRAULIC OMP 80 WITH NIPPLE 7/8 NIPPE 7/8	12	01
23	0503010920	1/2 UNC X 1.1/2 C S G.5 ZN BOLT		02
24	0503010019	1/2" SPRING WASHER		02
25	0503010060	1/2 UNC G.5 ZN HEX NUT		02
26	0571015457	CHAIN CAP		01
27	0503011141	3/8" X 2-3/4" BOLT		04
28	0503010849	3/8" X 1-1/2" BOLT		04
29	0503017021	M8 X 0.5" BOLT		01
30	0571015190	DRIVE AXLE		01
31	0501069017	12Z GEAR		01

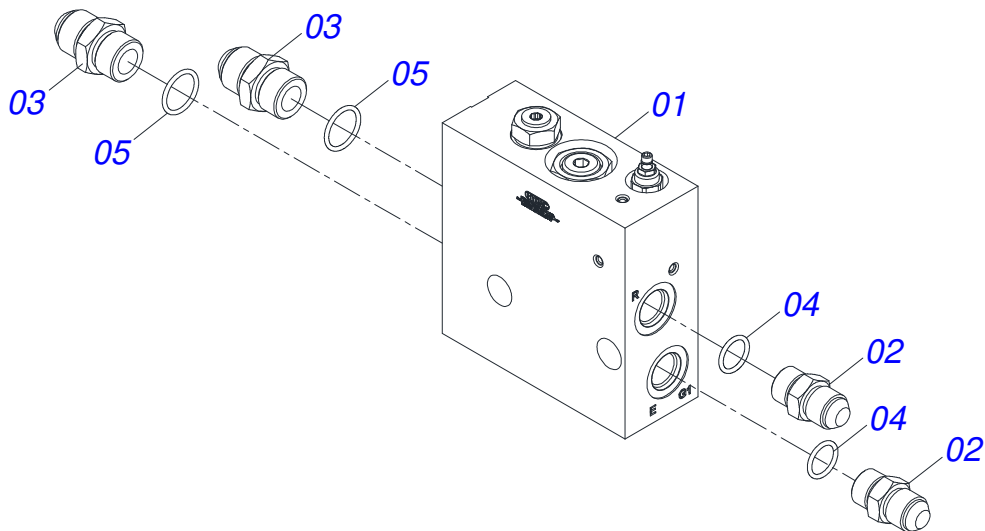
Item	Code	Description	See page	QT
32	0521066606	OIL TUBE		02
33	0521058120	SIMPLE HYDRAULIC ACTUATION HOSE SET	13	01



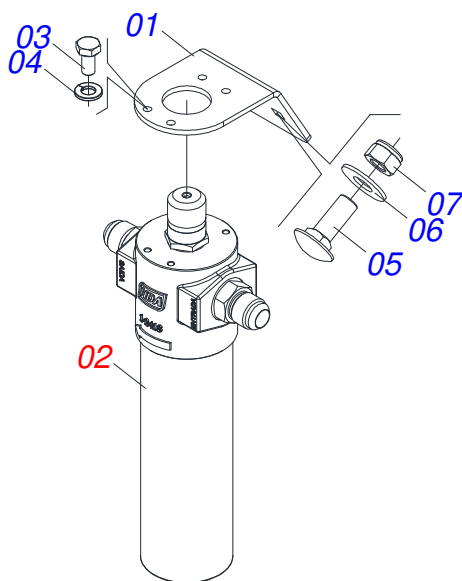
Item	Code	Description	See page	QT
01	0531060944	HOSE HOLDER ASSY		01
02	0503014378	1/2" X 1-1/2" BOLT		02
03	0511017302	FLAT WASHER 13,50 X 32,50 X 3,0 ZN		02
04	0503010589	1/2" UNC SELF ADJUSTING NUT		02
05	0591018556	HOSE FIXER ASSY		01
06	0503011087	3/8" X 1" BOLT		02
07	0501013518	FLAT WASHER		02
08	0503013357	3/8 SELF-ADJUSTING NUT		02
09	0531011180	UPPER BODY CLIP		01
10	0503010180	7/16" SPRING WASHER		01
11	0503011173	7/16" X 2" BOLT		01



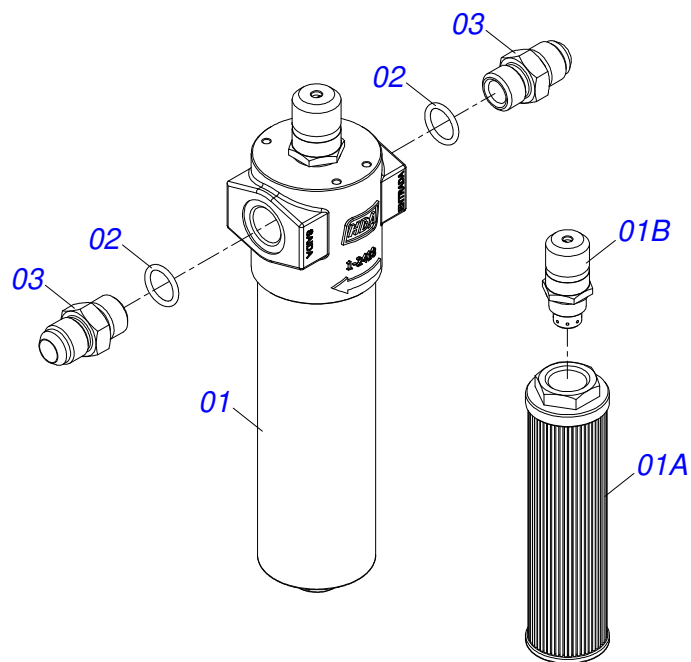
Item	Code	Description	See page	QT
01	0591013644	SUPPORT SET HIDRAULICO		01
02	0521057953	BLOCK HYDAC	6	01
03	0503011766	5/16" X 2-1/2" BOLT		02
04	0501010694	FLAT WASHER		02
05	0503013759	NUT		02
06	0501011643	3/8 X 1" BOLT		04
07	0501013518	FLAT WASHER		04
08	0503013357	3/8 SELF-ADJUSTING NUT		04
09	0521057952	FILTER PRES PARKER HDA FP20 10FV 06B LV6	7	01



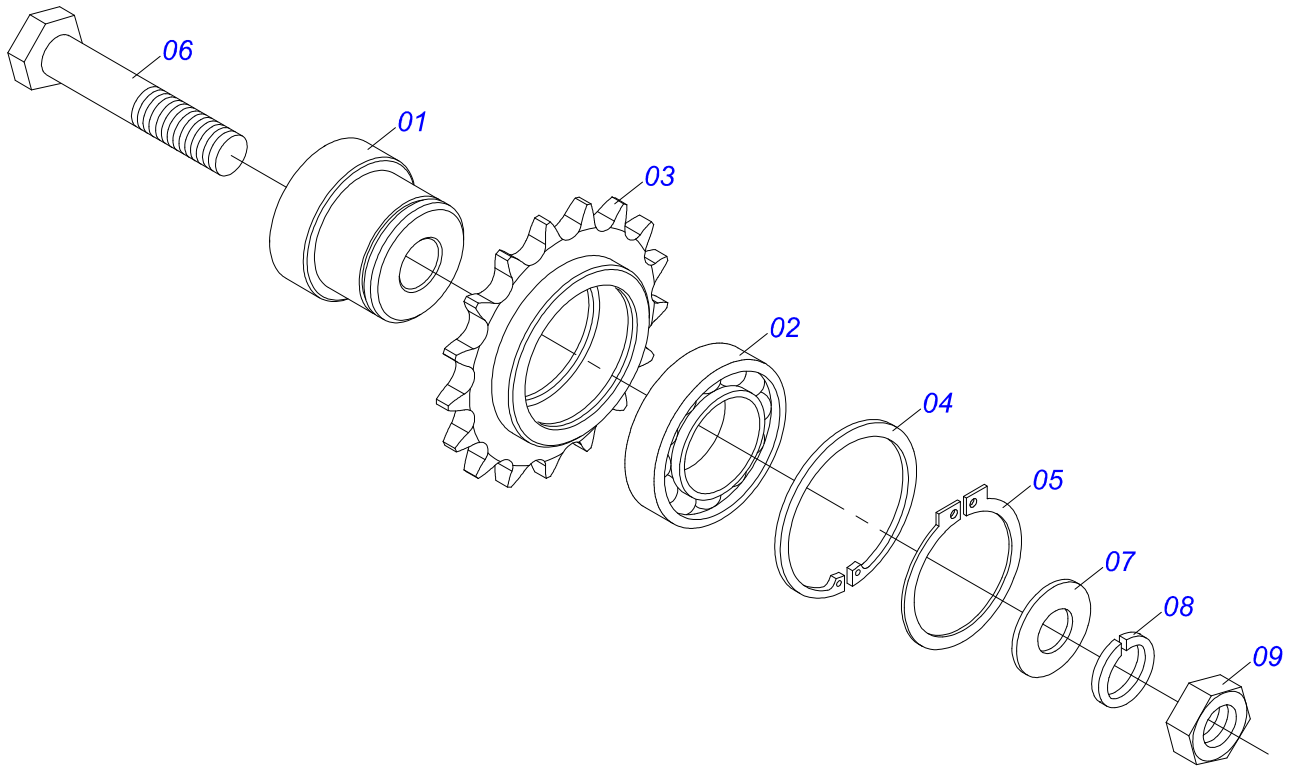
Item	Code	Description	See page	QT
01	0503063271	BLOCK		01
02	0501010590	NIPPLE		02
03	0501010589	R. 1.1/16UN SEXT 1.1/4 X 52 NIPPLE		02
04	0503010045	O'RING		02
05	0503011109	2-119 N 3006-9B O'RING		02



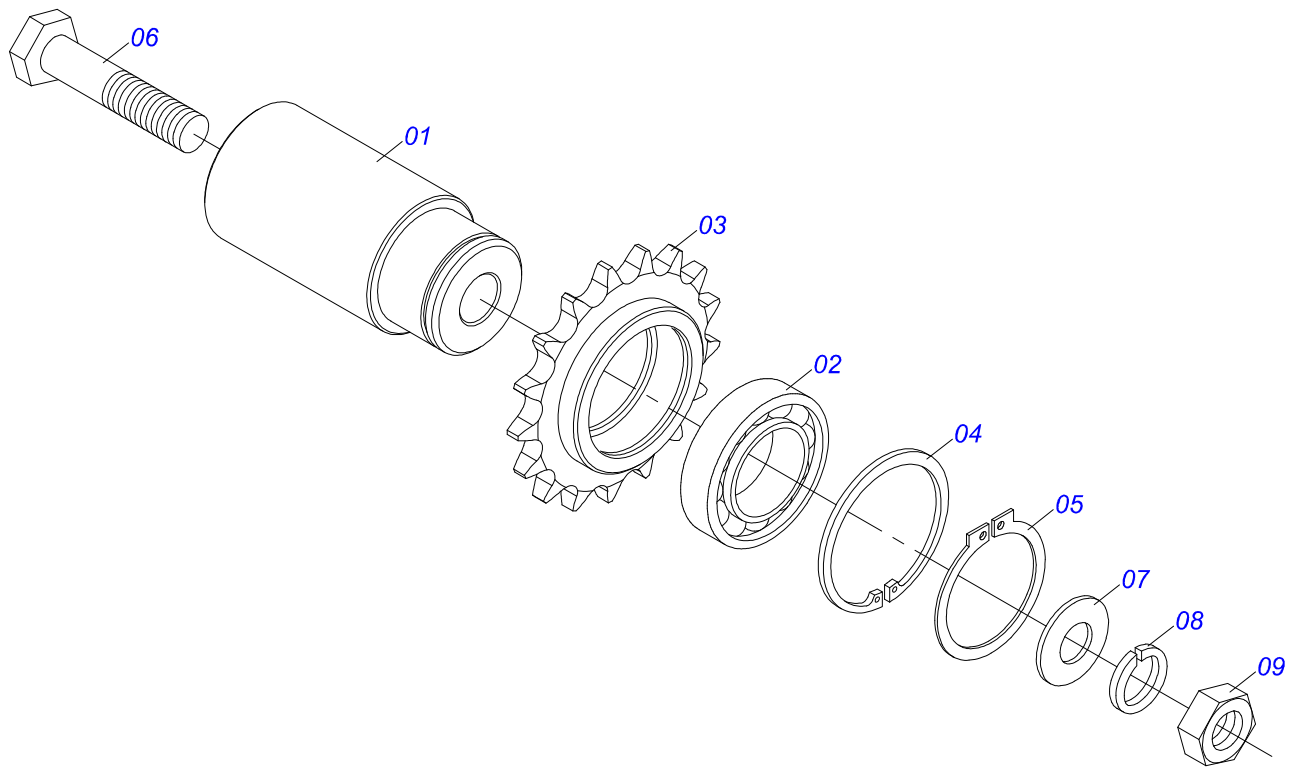
Item	Code	Description	See page	QT
01	0591013645	PRESSURE FILTER SUPPORT		01
02	0521057599	FILTER PRESS PARKER HDA FP20 10FV 06B LV6 WITH NIPPLE	8	01
03	0503011812	BOLT M6 X 1 X 12 CS 8.8 ZN		04
04	0503010143	1/4" SPRING WASHER		04
05	0501011643	3/8 X 1" BOLT		02
06	0501013518	FLAT WASHER		02
07	0503013357	3/8 SELF-ADJUSTING NUT		02



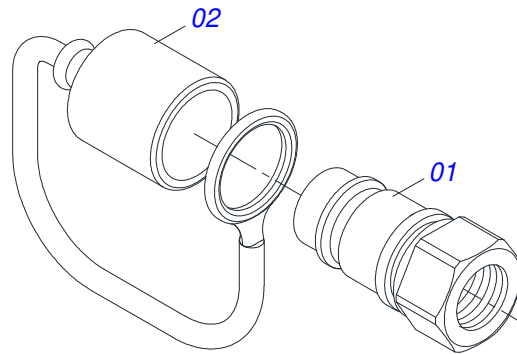
Item	Code	Description	See page	QT
01	0503063077	PRESSURE FILTER PARKER HDA FP20 10FV 06B LV6		01
01A	0503035357	FILTERING ELEMENT FOR PRESSURE FILTER		01
01B	0503019963	DIRT PRESSURE LINE INDICATOR		01
02	0503010605	O'RING		02
03	0591012696	NIPPLE 3/4 BSP X 1.1/16 UNF		02



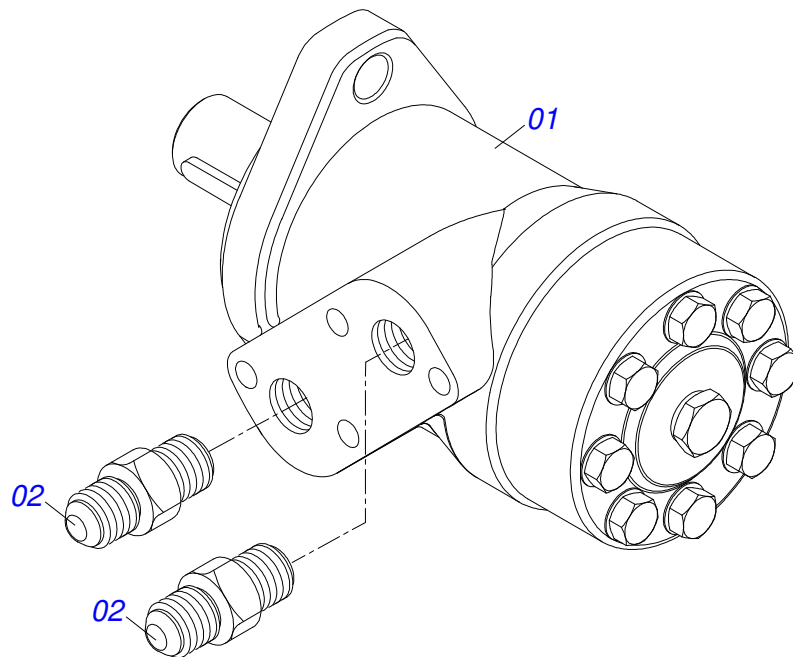
Item	Code	Description	See page	QT
01	0571015185	AXLE TIGHTENER 26		01
02	0503011410	ROLLER BEARING		01
03	0511061836	17Z GEAR		01
04	0503011105	SEAL RING		01
05	0503010406	501025 CLAMPING RING (FOR AXLE)		01
06	0501010096	3/8" X 2" BOLT		01
07	0501010984	10,50 X 27 X 3,00 FLAT WASHER		01
08	0503010025	3/8 SPRING WASHER		01
09	0503010026	3/8" NUT		01



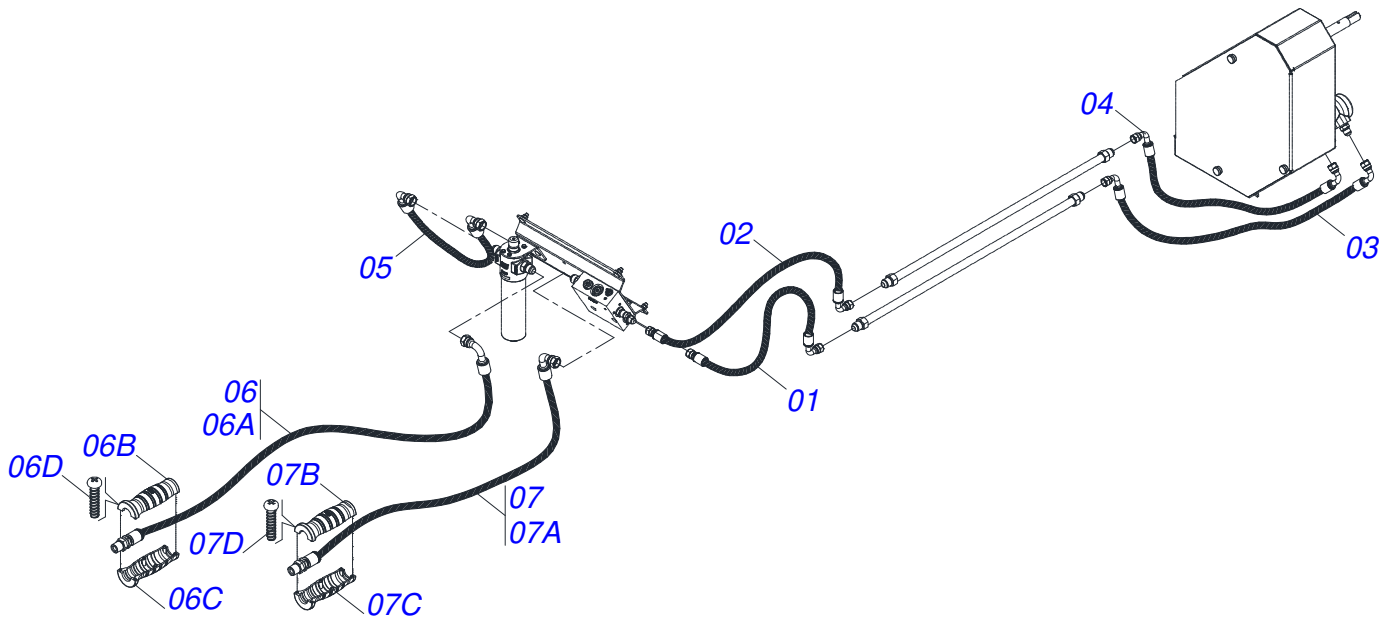
Item	Code	Description	See page	QT
01	0571015186	AXLE TIGHTENER 26		01
02	0503011410	ROLLER BEARING		01
03	0511061836	17Z GEAR		01
04	0503011105	SEAL RING		01
05	0503010406	501025 CLAMPING RING (FOR AXLE)		01
06	0503010718	3/8" X 3-1/2" BOLT		01
07	0501010984	10,50 X 27 X 3,00 FLAT WASHER		01
08	0503010025	3/8 SPRING WASHER		01
09	0503010026	3/8" NUT		01



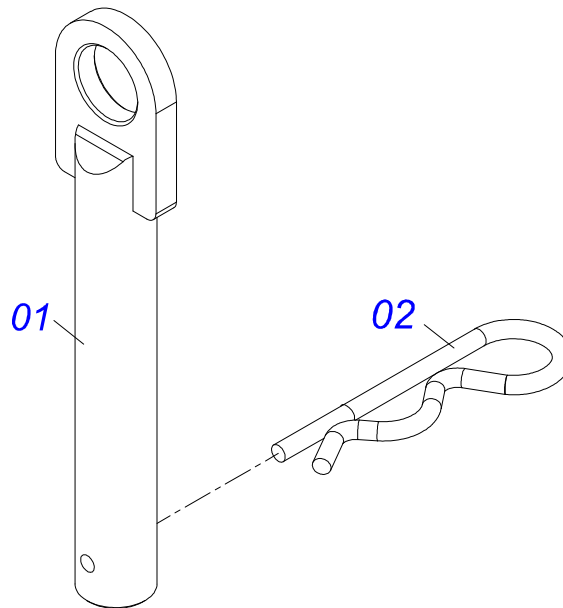
Item	Code	Description	See page	QT
01	0503011627	MALE QUICK COUPLER AGR 1/2 NPT		01
02	0503011882	MALE QUICK COUPLER CAP		01



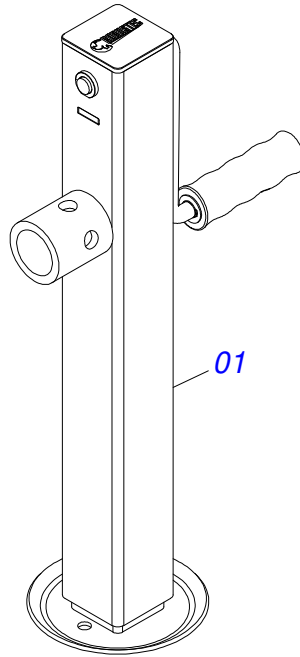
Item	Code	Description	See page	QT
01	0503016055	PARKER OMP 80 ISOBUS HYDRAULIC MOTOR		01
02	0511014065	7/8" NF X R1/2NPT X 52 NIPPLE		02



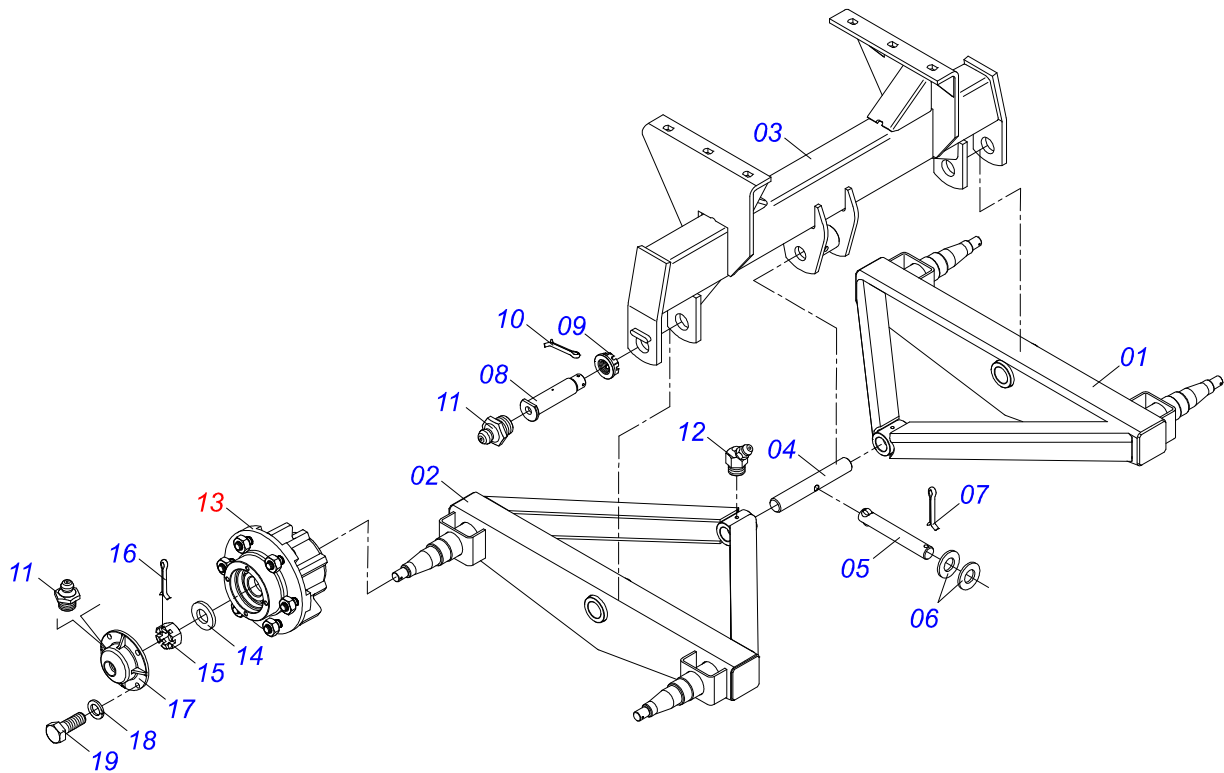
Item	Code	Description	See page	QT
01	0501081235	1/2 X 650 TR- TC HOSE		01
02	0501080218	1/2 X 750 HOSE		01
03	0501082303	HOSE 1/2 X 930 TC-TC 90G		01
04	0501082304	1/2 X 1000 TR-TC HOSE		01
05	0501081365	HOSE 3/4 X 680 TC-TC 180G		01
06	0521057977	HOSE 3/4 X 2100 TC-TM AMARILLO/AZUL		01
06A	0501082295	HOSE 3/4 X 2100 TC - TM R.1/2NPT		01
06B	0503034493	HYDRAULIC HOSE DEPTH (YELLOW)		01
06C	0503034494	HYDRAULIC HOSE GRIP (BLUE)		01
06D	0503018952	PLASTIC BOLT		06
07	0521057976	HOSE 3/4 X 2100 TC-TM YELLOW/RED		01
07A	0501082295	HOSE 3/4 X 2100 TC - TM R.1/2NPT		01
07B	0503034493	HYDRAULIC HOSE DEPTH (YELLOW)		01
07C	0503034495	HYDRAULIC HOSE GRIP (RED)		01
07D	0503018952	PLASTIC BOLT		06



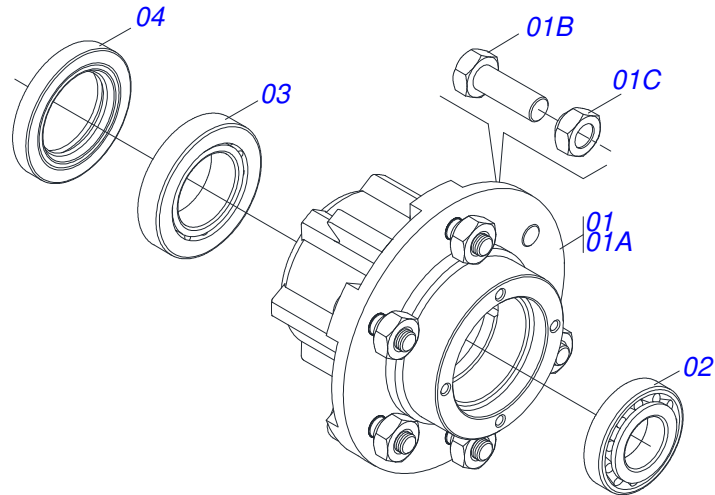
Item	Code	Description	See page	QT
01	0501068989	COUPLING SHAFT		01
03	0503031035	HITCH PIN CLIP		01



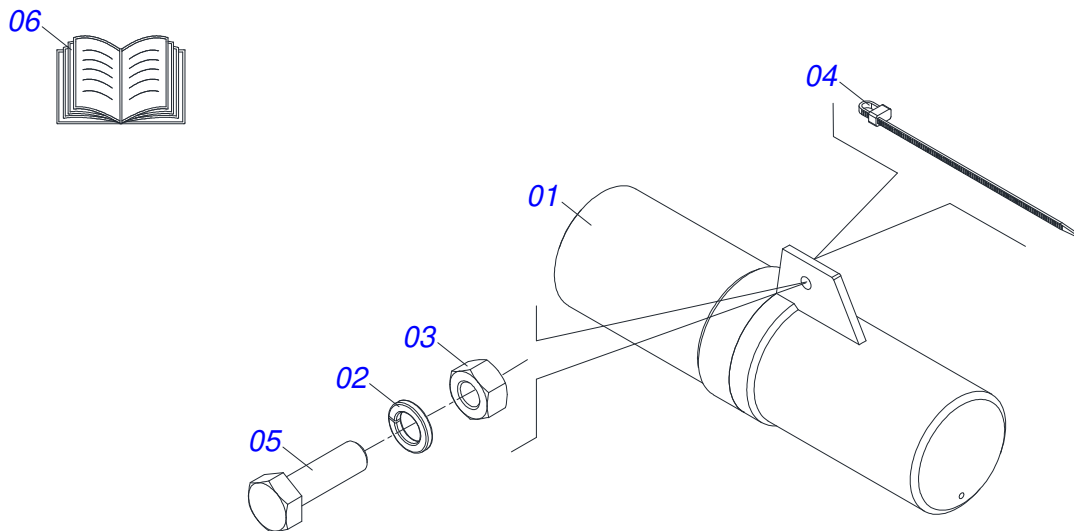
Item	Code	Description	See page	QT
01	0503062157	DRAWBAR JACK	15	01



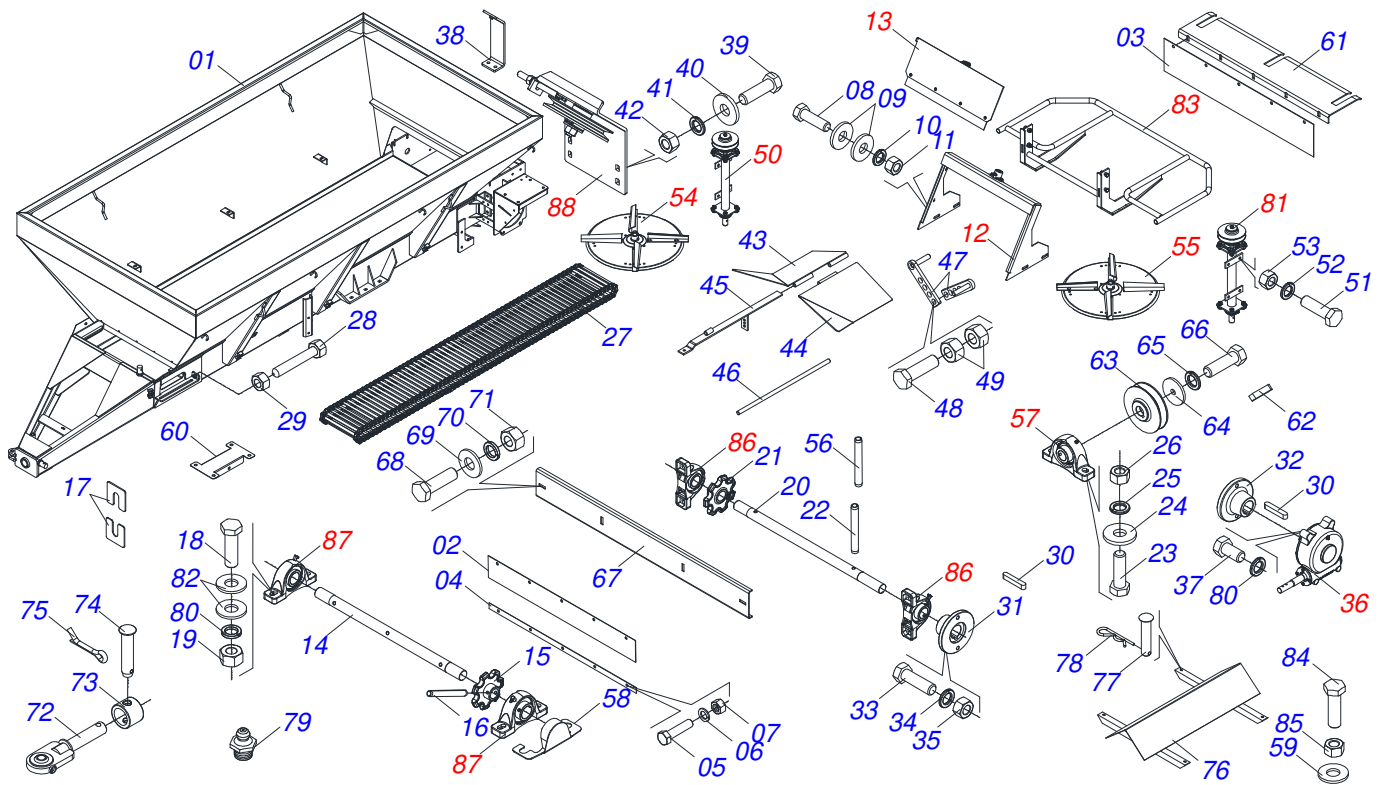
Item	Code	Description	See page	QT
01	0501069577	RIGHT ROCKER ARM		01
02	0501069578	LEFT BELL CRANCK		01
03	0511063855	ROCKER ARM SUPPORT FIXATION		01
04	0521012427	1.5" X 11.4" COUPLING SHAFT		01
05	0521010553	0.5" X 3" COUPLING SHAFT		01
06	0511017302	FLAT WASHER 13,50 X 32,50 X 3,0 ZN		02
07	0503010257	1/8" X 1" COTTERPIN		01
08	0521012431	1-1/2" 7.6 PIVOT SHAFT		02
09	0501011301	1.1/2 UNC 6FPP 2.5/16 NUT		02
10	0503010010	1/4" X 2.1/2" COTTERPIN		02
11	0503010002	1800 GREASE FITTING		06
12	0503010003	1845 GREASE FITTING		02
13	0501051142	CARRYING WHEEL HUB	17	04
14	0501016545	FLAT WASHER		04
15	0503030009	1" CASTLE NUT		04
16	0503010131	3/16" X 1-1/2" COTTERPIN		04
17	0502020591	PROTECCION COVER		04
18	0503011444	SPRING WASHER		16
19	0503010358	5/16" X 5/8" BOLT		16



Item	Code	Description	See page	QT
01	0501110728	WHEEL HUB		01
01A	0502011121	CARRYING WHEEL HUB		01
01B	0501010127	9/16" X 1-7/8" LUG BOLT		06
01C	0503010035	9/16" CONIC NUT		06
02	0503010037	30207 ROLLER BEARING		01
03	0503010006	32210 ROLLER BEARING		01
04	0503012928	SEAL		01

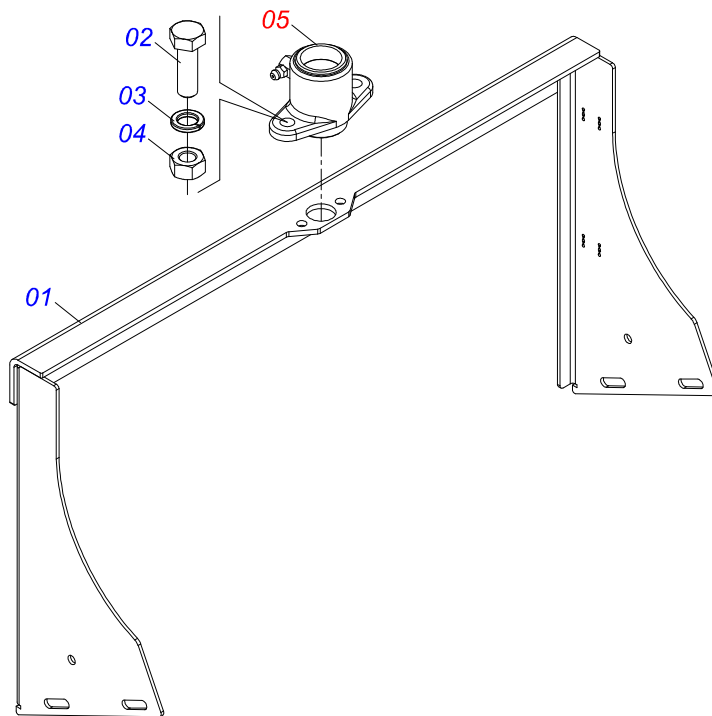


Item	Code	Description	See page	QT
01	0503060100	INSTRUCTIONS MANUAL CANISTER		01
02	0503010179	LOCK WASHER 5/16 ZN 1K01528		01
03	0503010337	5/16" NUT		01
04	0503010267	NYLON CLAMP		01
05	0503010363	BOLT 5/16 UNC X 1 C S G.2 ZN		01
06	0511031524	PACKING WITH INSTRUCTION MANUAL		01

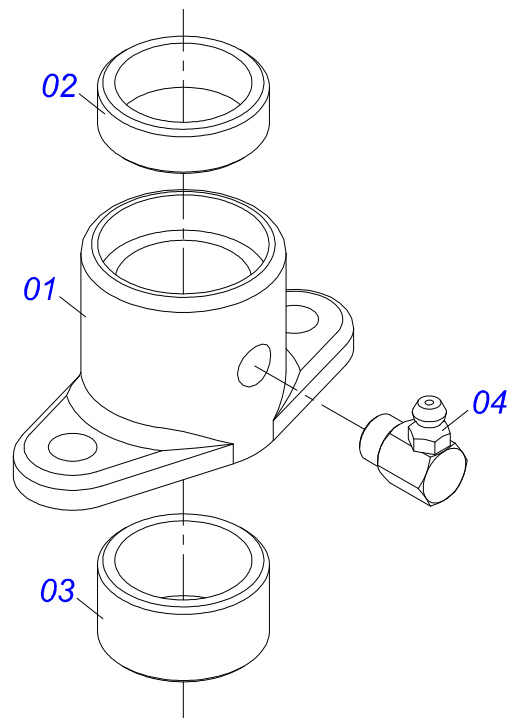


Item	Code	Description	See page	QT
01	0521063403	BUCKET ASSY		01
02	0531014336	31.4"X3.1"X 0.1" PROTECTION SMALLER		01
03	0531014337	PROTECTION LARGER		02
04	0531014331	SLUICE VALVE FIXER COVER		01
05	0503010237	3/8" X 1" BOLT		11
06	0503011443	3/8" SPRING WASHER		11
07	0503010026	3/8" NUT		11
08	0503010751	C3/8" X 1.1/4" HEX BOLT G.5		04
09	0501010984	10,50 X 27 X 3,00 FLAT WASHER		08
10	0503011443	3/8" SPRING WASHER		04
11	0503010026	3/8" NUT		04
12	0511059105	SLUICE VALVE SUPPORT	20	01
13	0511059108	SLUICE VALVE COVER ASSY	22	01
14	0591016382	DRIVEN AXLE		01
15	0591016380	GEAR		03
16	0503010361	SPRING PIN		03
17	0501010794	HIDR CHOCK REGULATOR		04
18	0503010233	5/8" X 2-1/2" BOLT		04
19	0503010013	5/8 NUT		04
20	0591016381	DRIVING AXLE		01
21	0591016380	GEAR		03
22	0503010361	SPRING PIN		03
23	0503010740	BOLT 1/2 UNC X 2 CS G.5 ZN		08
24	0511017302	FLAT WASHER 13,50 X 32,50 X 3,0 ZN		08
25	0503011440	SPRING WASHER		08
26	0503010060	1/2 UNC G.5 ZN HEX NUT		08
27	0511063805	DRIVE THE TRANSPORT TALISCA		01
28	0501067853	ROD STABILIZER		02
29	0503010013	5/8 NUT		02
30	0501010540	KEYWAY SQUARE		02
31	0511016540	MAT COUPLING FLANGE		01

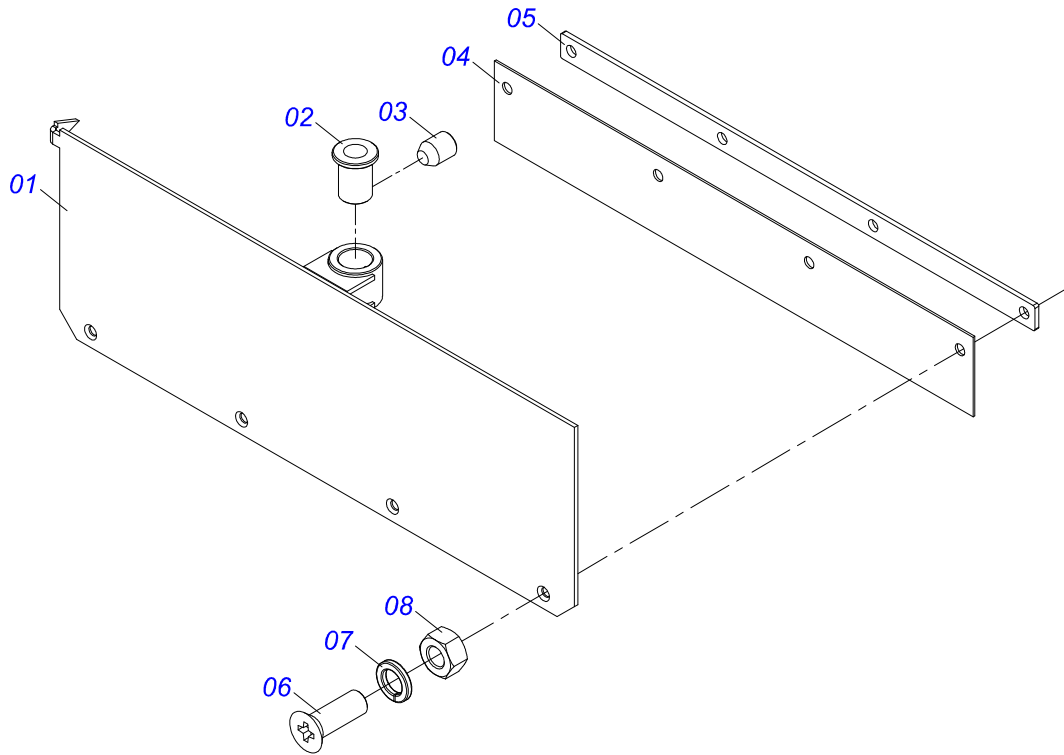
Item	Code	Description	See page	QT
32	0511016541	REDUCTION COUPLING FLANGE		01
33	0503010849	3/8" X 1-1/2" BOLT		02
34	0503011443	3/8" SPRING WASHER		02
35	0503010026	3/8" NUT		02
36	0501047985	REDUCER	23	01
37	0503011167	M16 X 2 X 30 BOLT		04
38	0511063668	REAR FIXER COVER		01
39	0503010238	BOLT 1/2 UNC X 1.3/4 CS G.2 ZN		04
40	0511017302	FLAT WASHER 13,50 X 32,50 X 3,0 ZN		04
41	0503011440	SPRING WASHER		04
42	0503010060	1/2 UNC G.5 ZN HEX NUT		04
43	0511063659	RIGHT FLOW DIVIDING		01
44	0511063660	LEFT FLOW DIVIDING		01
45	0531061725	REAR DEFLECTOR SUPPORT		01
46	0531015309	TENSIONER OPEN		01
47	0531061722	DIVIDER OPENING REGULATOR		01
48	0503010849	3/8" X 1-1/2" BOLT		01
49	0503010026	3/8" NUT		02
50	0501054013	RIGHT BEARRING SUPPORT DISC	25	01
51	0503010920	1/2 UNC X 1.1/2 C S G.5 ZN BOLT		08
52	0503011440	SPRING WASHER		08
53	0503010060	1/2 UNC G.5 ZN HEX NUT		08
54	0501053870	DISTRIBUTOR RIGHT DISC ASSY	27	01
55	0501053871	DISTRIBUTOR LEFT DISC ASSY	28	01
56	0503010361	SPRING PIN		02
57	0511041213	AGRICULTURAL BEARING	29	02
58	0521068822	BEARING PROTECTION		03
59	0511017302	FLAT WASHER 13,50 X 32,50 X 3,0 ZN		02
60	0521068109	FIXER PROTECTION COVER		01
61	0531014324	TOOTH COVER		01
62	0501010536	KEYWAY SQUARE		01
63	0502012936	1 C X 219 X 30 PULLEY		01
64	0511014052	FLAT WASHER		01
65	0503011446	SPRING WASHER		01
66	0503010355	7/16" X 1" BOLT		01
67	0531014338	BAMPER		01
68	0503010920	1/2 UNC X 1.1/2 C S G.5 ZN BOLT		02
69	0511017302	FLAT WASHER 13,50 X 32,50 X 3,0 ZN		02
70	0503011440	SPRING WASHER		02
71	0503010060	1/2 UNC G.5 ZN HEX NUT		02
72	0521068793	TRACTOR TRACTOR		01
73	0521010681	BUSHING COUPLING BODY		01
74	0521010639	COUPLING SHAFT		01
75	0503010571	1/4" X 1.1/2 COTTERPIN		01
76	0511063853	LARGER DEFLECTOR		01
77	0521017623	0.5" X 1.5" COUPLING SHAFT		04
78	0503030168	HITCH PIN CLIP		04
79	0503011098	1/4" GREASE FITTING		04
80	0503011445	SPRING WASHER		20
81	0501054013	RIGHT BEARRING SUPPORT DISC	25	01
82	0501012140	FLAT WASHER		08
83	0531050089	FULL DISK PROTECTOR		01
84	0503011267	5/8 UNC X 1.1/2 C S G.5 ZN BOLT		02
85	0503010013	5/8 NUT		02
86	0501044308	AGRICULTURAL BEARING ASSY	30	02
87	0501044308	AGRICULTURAL BEARING ASSY	30	02
88	0501053868	BELT TENSIONER ASSY	31	01



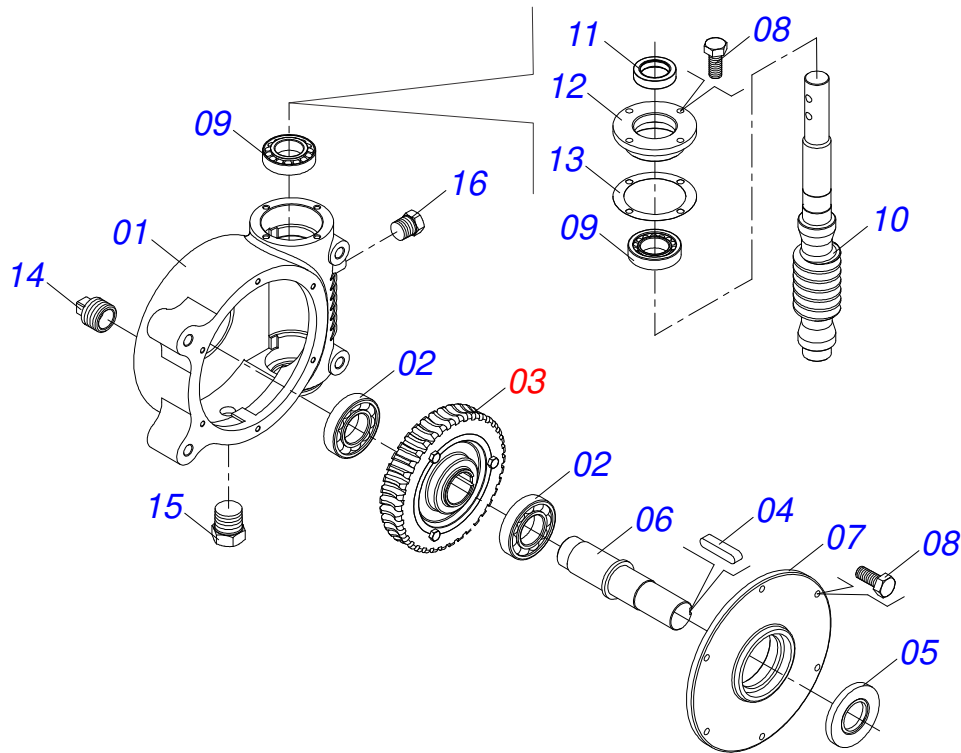
Item	Code	Description	See page	QT
01	0511063410	SLUICE VALVE SUPPORT		01
02	0503010363	BOLT 5/16 UNC X 1 C S G.2 ZN		02
03	0503011444	SPRING WASHER		02
04	0503010337	5/16" NUT		02
05	0511059094	SHAFT BEARING THREADED	21	01



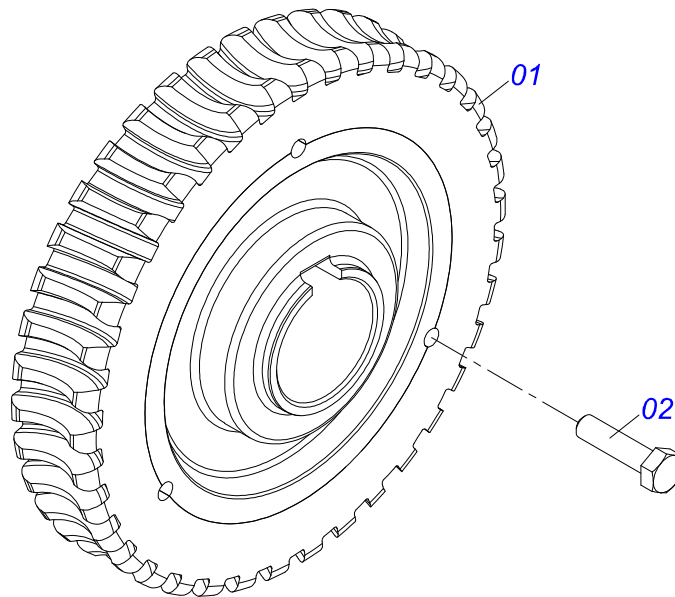
Item	Code	Description	See page	QT
01	0502010581	ROD BEARING		01
02	0521010458	SLEEVE		01
03	0521010457	SLEEVE		01
04	0503010004	1890 GREASE FITTING		01



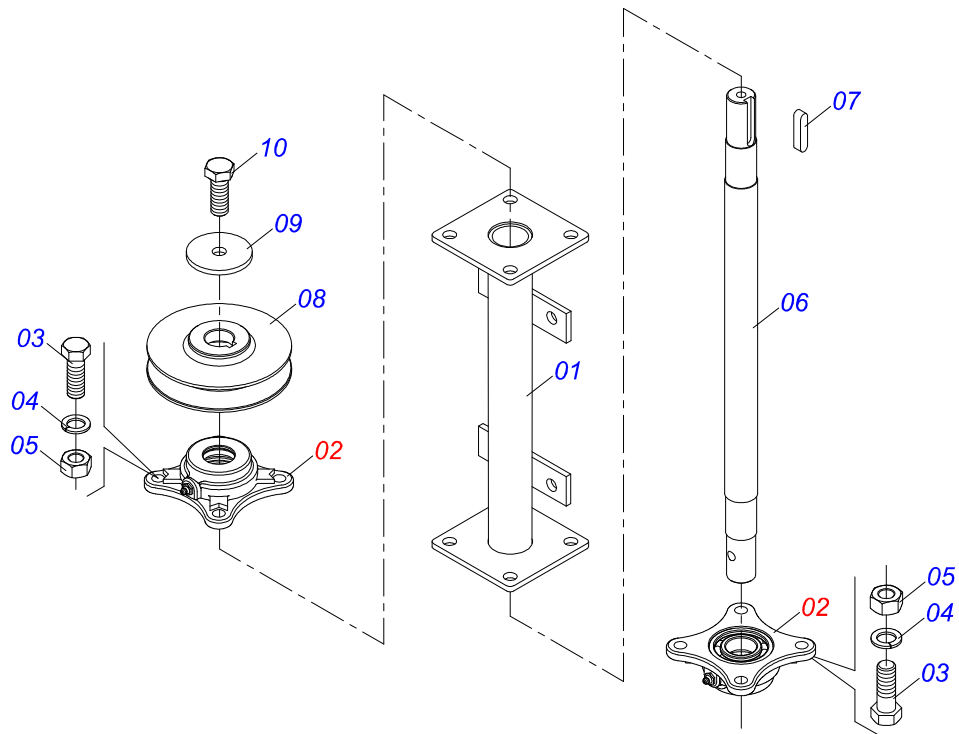
Item	Code	Description	See page	QT
01	0511063413	SLUICE VALVE COVER		01
02	0501019831	ADJUSTING NUT		01
03	0503011148	3/8" X 1/2" BOLT		01
04	0531014336	31.4"X3.1"X 0.1" PROTECTION SMALLER		01
05	0531014331	SLUICE VALVE FIXER COVER		01
06	0503010546	5/16" X 7/8" BOLT		05
07	0503011444	SPRING WASHER		05
08	0503010337	5/16" NUT		05



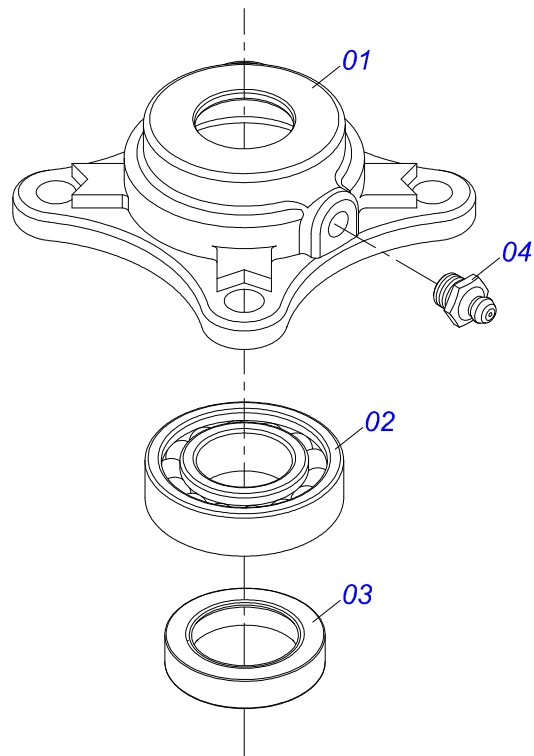
Item	Code	Description	See page	QT
01	0502011456	REDUCTION BOX		01
02	0503011095	6208 BALL BEARING		02
03	0501051774	38Z CROWN	24	01
04	0503011304	1/2" X 2.4" KEYWAY SQUARE		01
05	0503010818	02675-BRG SEAL		01
06	0521010996	AXLE		01
07	0502020556	LARGER COVER		01
08	0503010240	BOLT		10
09	0503010016	BEARING LM		02
10	0521010997	SCREW THEAD		01
11	0503011171	00912-BRG SEAL		01
12	0502011457	SMALLER COVER		01
13	0503030981	102 X 75,5 X 0,10 JOINT		01
14	0521011023	PLUG		01
15	0513010009	LEVEL DISPLAY		01
16	0503010856	OIL PLUG		01



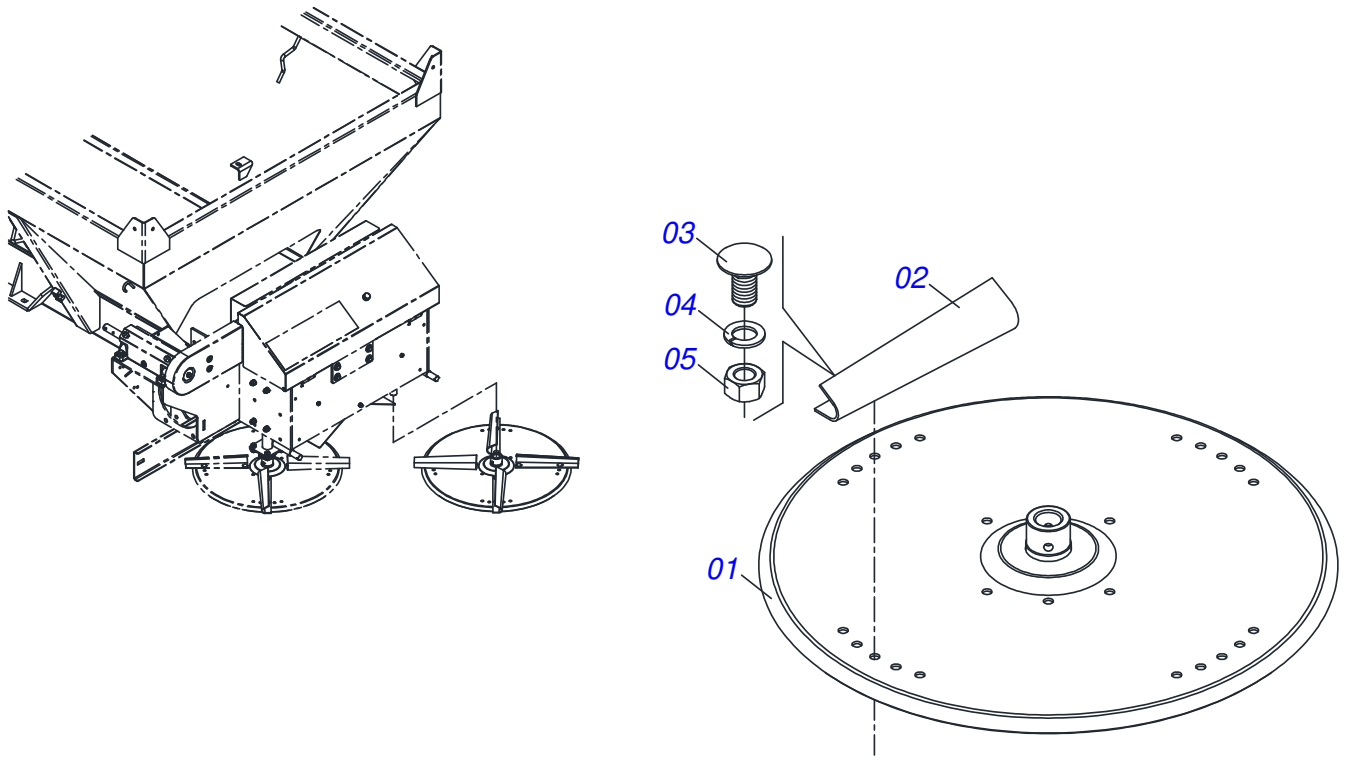
Item	Code	Description	See page	QT
01	0501110280	38Z CONICAL		01
02	0503010365	BOLT 5/16 UNC X 1.1/4 C S G.5 ZN		03



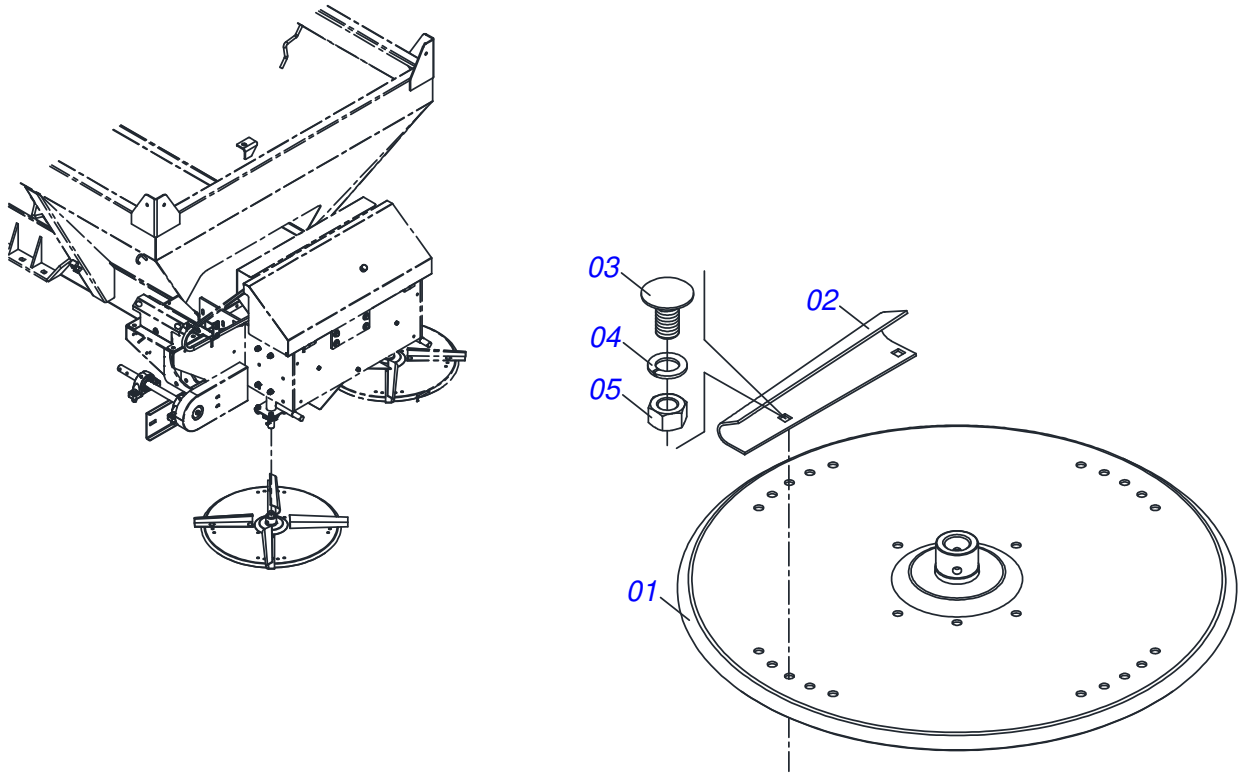
Item	Code	Description	See page	QT
01	0511063742	DISTRIBUTOR RIGHT/LEFT SUPPORT		01
02	0501048000	AGRICULTURAL BEARING	26	02
03	0503011135	BOLT		08
04	0503011446	SPRING WASHER		08
05	0503010244	7/16" NUT		08
06	0511016489	DISTRIBUTOR AXLE CONDUCTOR DISC		01
07	0501010536	KEYWAY SQUARE		01
08	0502011361	REEL 1C 5.5" X 1.1" PULLEY		01
09	0511014052	FLAT WASHER		01
10	0503010237	3/8" X 1" BOLT		01



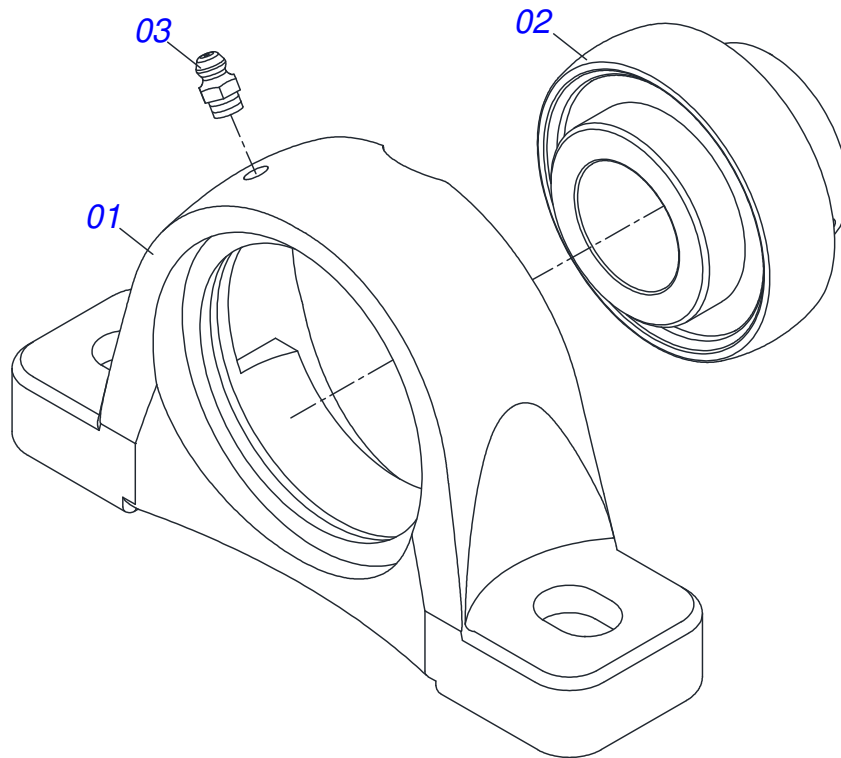
Item	Code	Description	See page	QT
01	0502011442	AGRICULTURAL HOUSING BEARING		01
02	0503010276	6206 BALL BEARING		01
03	0503011865	SEAL		01
04	0503010002	1800 GREASE FITTING		01



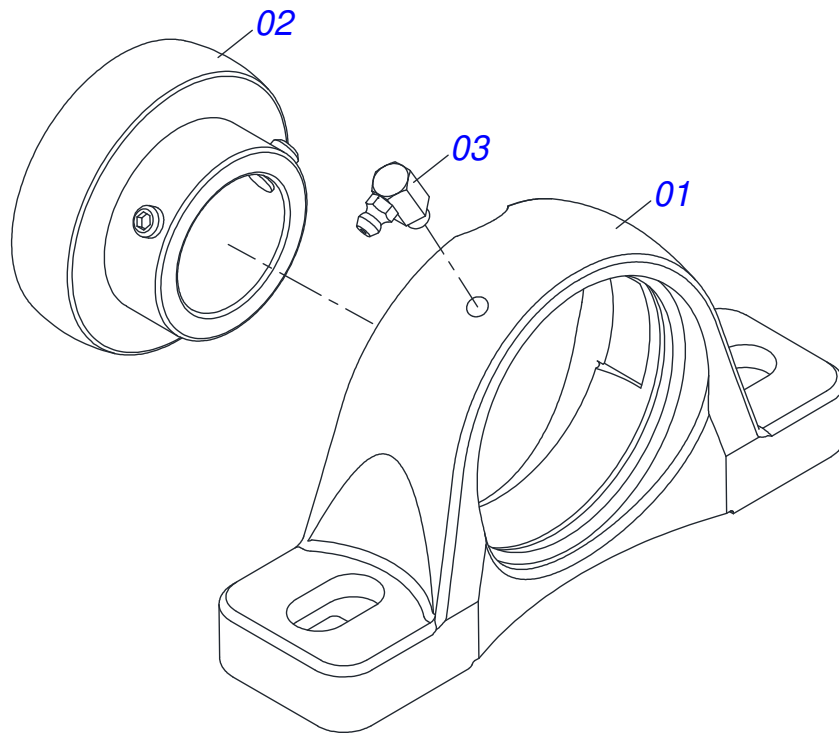
Item	Code	Description	See page	QT
01	0511063411	DISTRIBUTOR DISC		01
02	0531014343	RH FLIP		04
03	0503013029	3/8" X 3/4" BOLT		08
04	0503011443	3/8" SPRING WASHER		08
05	0503010026	3/8" NUT		08



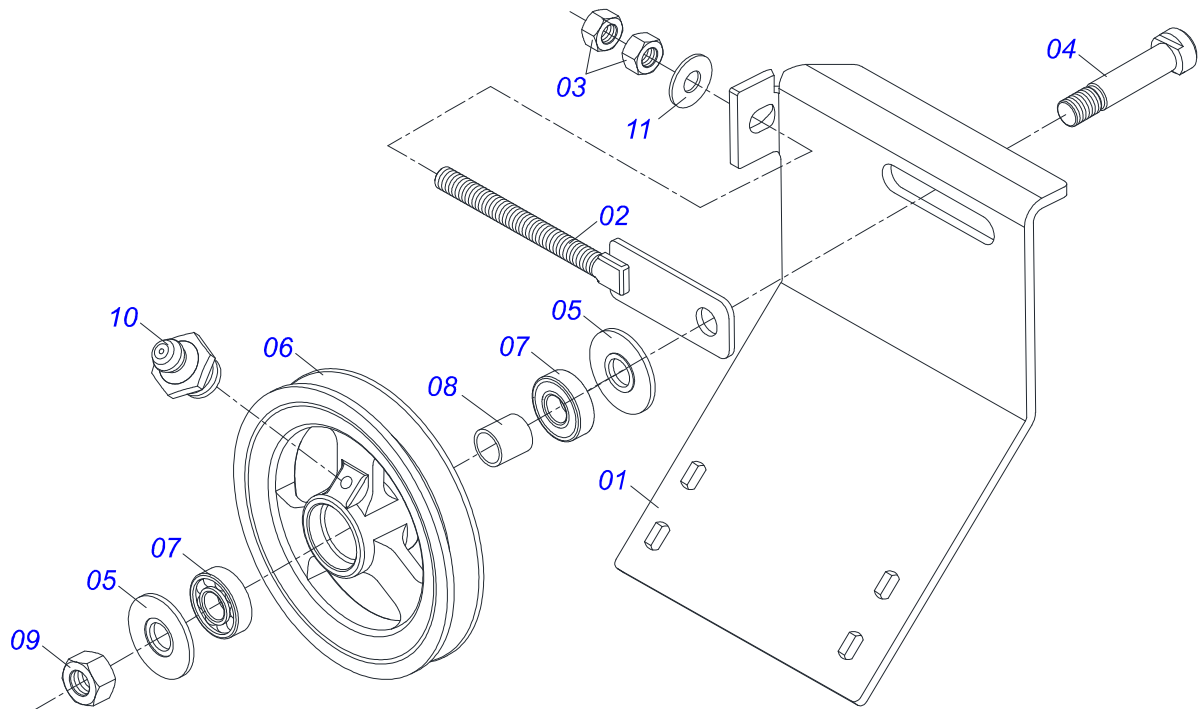
Item	Code	Description	See page	QT
01	0511063411	DISTRIBUTOR DISC		01
02	0531014344	LH FLIP		04
03	0503013029	3/8" X 3/4" BOLT		08
04	0503011443	3/8" SPRING WASHER		08
05	0503010026	3/8" NUT		08



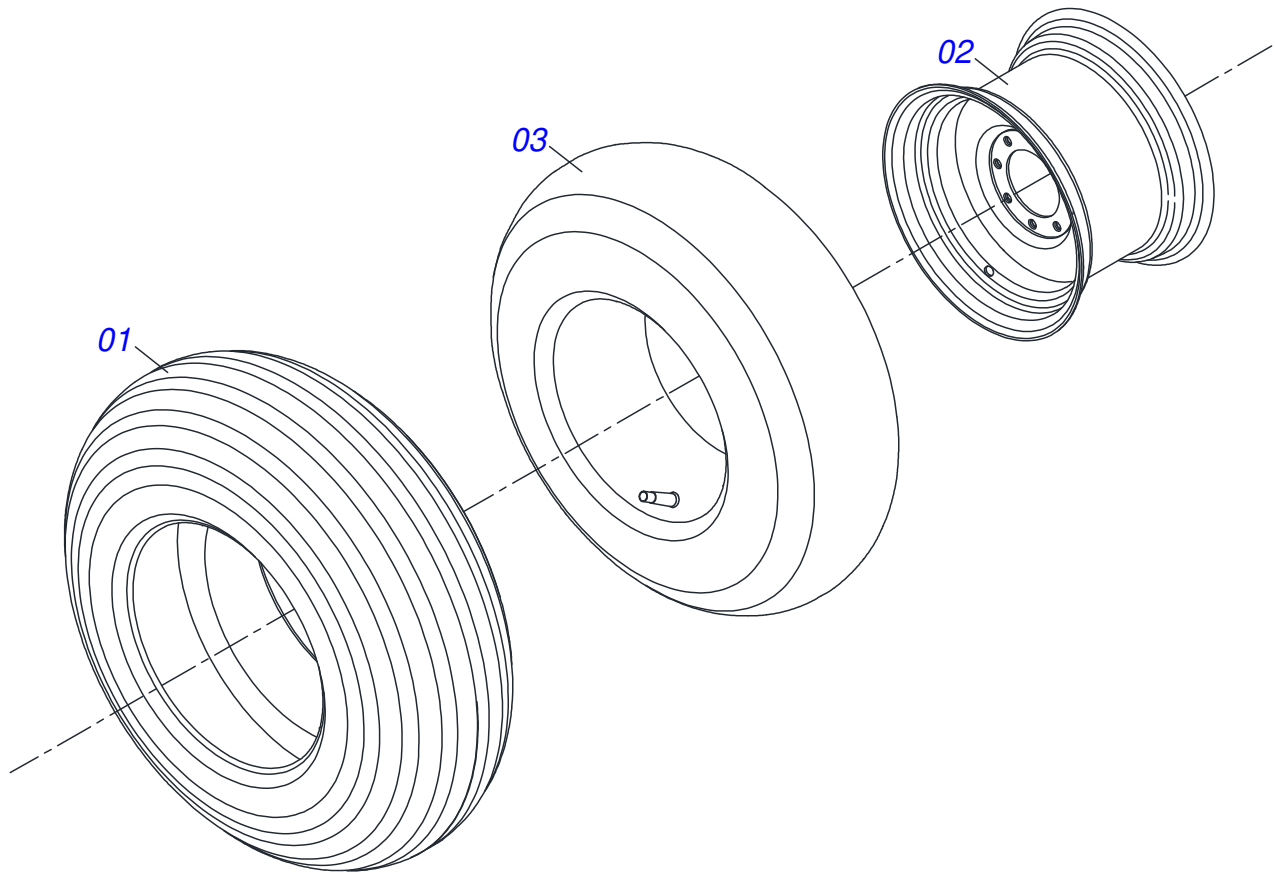
Item	Code	Description	See page	QT
01	0502011954	AGRICULTURAL HOUSING BEARING		01
02	0503011884	BALL BEARING		01
03	0503010691	1/4" GREASE FITTING		01



Item	Code	Description	See page	QT
01	0502011050	AGRICULTURAL HOUSING BEARING		01
02	0503011163	1108/UCR BEARING ASSY		01
03	0503010004	1890 GREASE FITTING		01



Item	Code	Description	See page	QT
01	0531014326	PULLEY BODY SUPPORT		01
02	0511064818	PULLEY TENSIONER		01
03	0503010013	5/8 NUT		02
04	0511012362	TIGHTENER AXLE PULLEY		01
05	0501019288	WASHER SPACER		02
06	0502011366	REEL 1C 8.3" X 1.6" PULLEY		01
07	0503010690	6204 BALL BEARING		02
08	0521010497	0.8" X 1.1" X 1.1" SPACER		01
09	0503010014	3/4" HEX NUT		01
10	0503010002	1800 GREASE FITTING		01
11	0501012140	FLAT WASHER		01



Item	Code	Description	See page	QT
01	0503010858	CANVAS TIRE		01
02	0503011468	WEEL		01
03	0503010860	AIR CHAMBER 11L 15		01



civemasa

Technical Publications | Elaboration and Revision

LORENA ROCHA ALVES

www.civemasa.com.br

