

LIME AND FERTILIZER SPREADER

DFCO 10.5 MC WITH HYDRAULIC OPERATION

Code: 0501093226
Series: S-1014
Revision: 01
Revision Date: MARÇO/2022

PARTS CATALOGUE

CIVEMASA

A solid orange horizontal bar is positioned at the top left of the page, above the "PRODUCTS" heading.

PRODUCTS

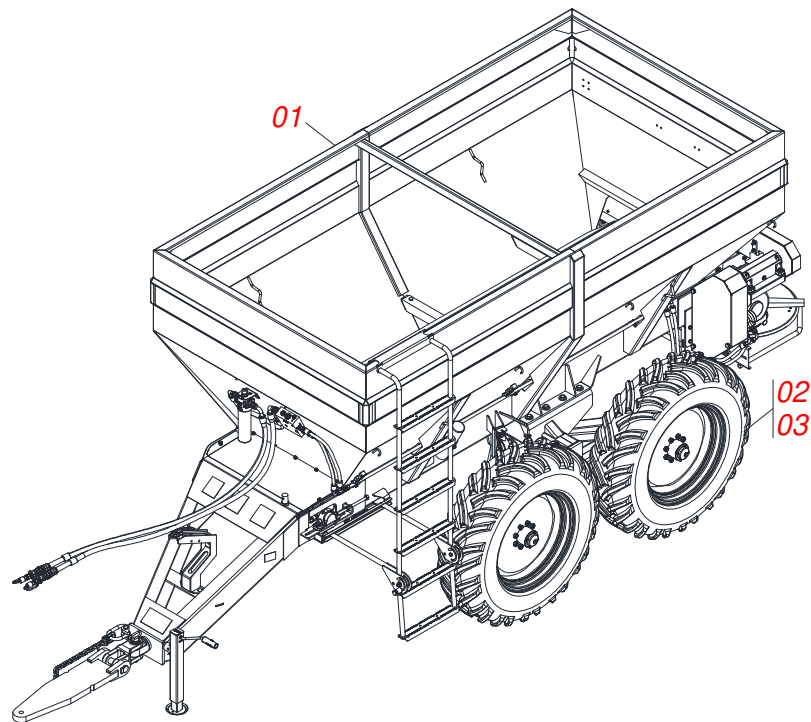
Code	Description
0120480009	DFCO 10.5 MC C/ACIONAM HIDR S-1014

ATTENTION: IMPORTANT

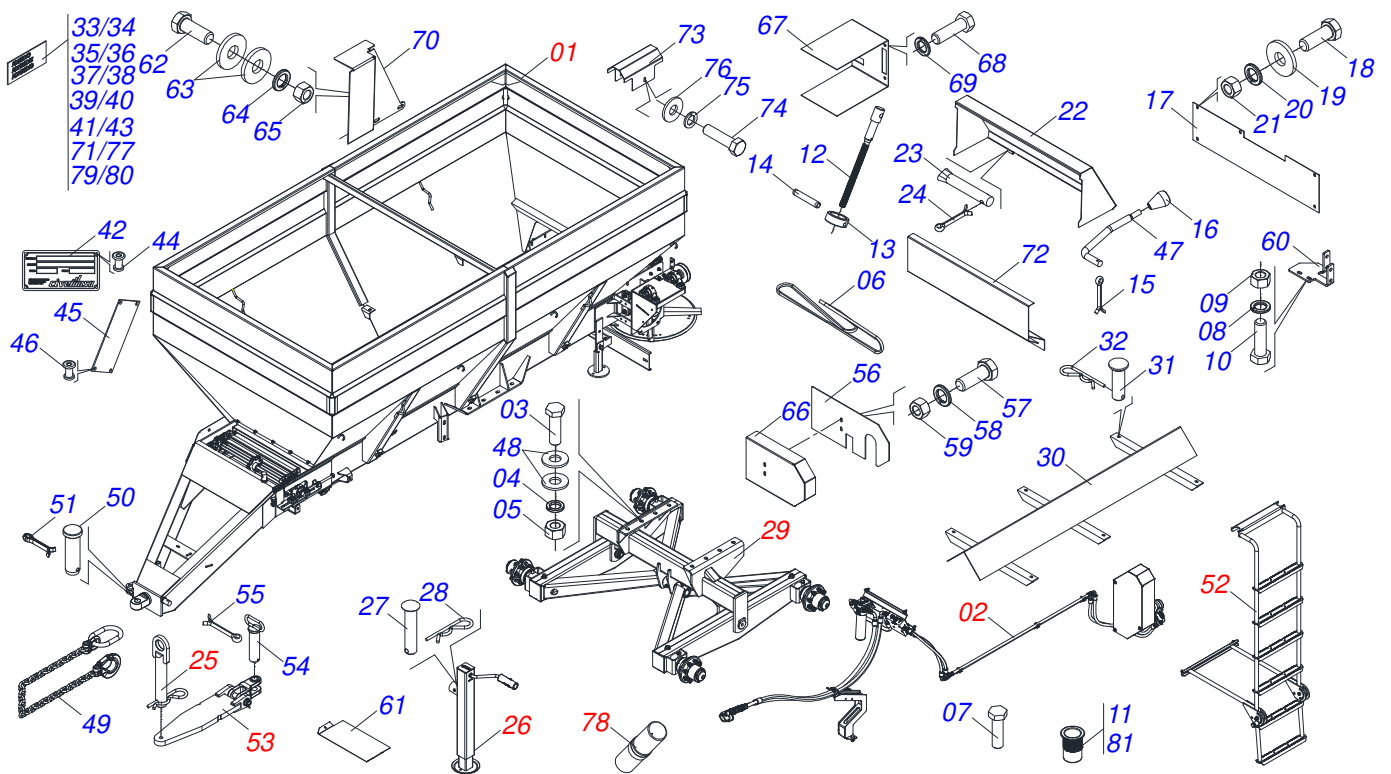
CIVEMASA reserves the right to improve and/or modify the technical features of its products, without obligation to do the same with those products already sold and without prior knowledge of the dealer or the consumer. The photos are only illustrative.

INDEX

0909096179	ASSY FRAME	1
0521045678	ASSY FRAME	2
0511057510	FRAME WITH BUCKET	3
0501047985	REDUCER	4
0501051774	38Z CROWN	5
0501054013	RIGHT BEARRING SUPPORT DISC	6
0501048000	AGRICULTURAL BEARING	7
0501053870	DISTRIBUTOR RIGHT DISC ASSY	8
0501053871	DISTRIBUTOR LEFT DISC ASSY	9
0511041213	AGRICULTURAL BEARING	10
0531050089	FULL DISK PROTECTOR	11
0501044308	AGRICULTURAL BEARING ASSY	12
0501053868	BELT TENSIONER ASSY	13
0531050090	DRAWBOLT ASSY	14
0521058130	SIMPLE HYDRAULIC DRIVE ASSEMBLY	15
0511053588	MOTOR HYDRAULIC OMP 80 WITH NIPPLE 7/8 NIPPE 7/8	16
0501053834	MALE QUICK COUPLER	17
0521058120	SIMPLE HYDRAULIC ACTUATION HOSE SET	18
0521058094	SUPPORT HOSE	19
0521057951	SUPPORT SIMPLE HYDRAULIC DRIVE	20
0521057953	BLOCK HYDAC	21
0521057952	FILTER PRES PARKER HDA FP20 10FV 06B LV6	22
0521057599	FILTER PRESS PARKER HDA FP20 10FV 06B LV6 WITH NIPPLE	23
0511054497	TENSIONER LARGER ASSY	24
0501047881	AXIS JOINT ASSY	25
0503062157	HEADER JACK	26
0511041110	BELL CRANK SUPPORT FIXATION	27
0501056347	CARRYING WHEELS WITHOUT TIRE	28
0511059187	ASSY LADDER	29
0511059024	ENGATE TRATOR COMPLETO	30
0531051123	CATALOGUE/MANUAL CANISTER ASSY	31
0511059222	WHEEL WITH TIRE RIGHT SIDE	32
0511059223	WHEEL WITH LEFT SIDE TIRE	33

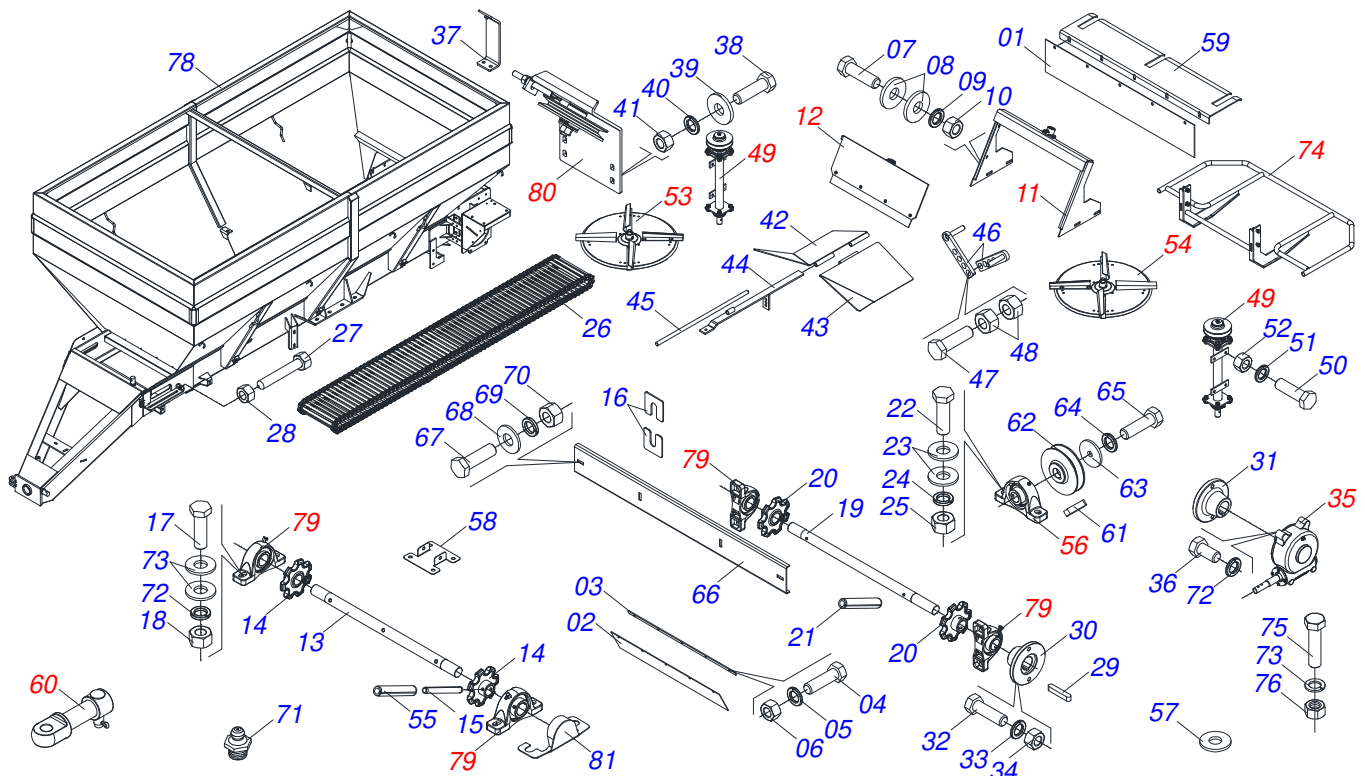


Item	Code	Description	See page	QT
01	0521045678	ASSY FRAME	2	01
02	0511059222	WHEEL WITH TIRE RIGHT SIDE	32	02
03	0511059223	WHEEL WITH LEFT SIDE TIRE	33	02



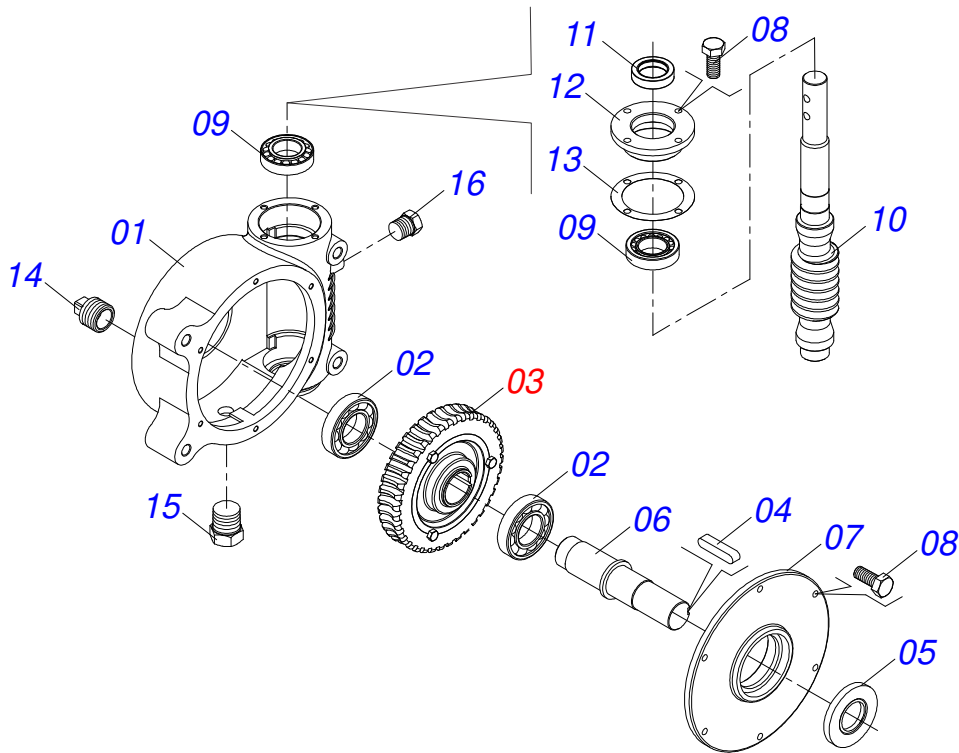
Item	Code	Description	See page	QT
01	0511057510	FRAME WITH BUCKET	3	01
02	0521058130	SIMPLE HYDRAULIC DRIVE ASSEMBLY	15	01
03	0501010125	3/4" X 2-1/2" BOLT		08
04	0503010023	3/4" SPRING WASHER		08
05	0503010014	3/4" NUT		06
06	0503012941	C-148 BELT		01
07	0503010751	C3/8" X 1.1/4" HEX BOLT G.5		02
08	0503010025	3/8" SPRING WASHER		04
09	0503010026	3/8" NUT		02
10	0503010237	3/8" X 1" BOLT		02
11	0503019413	THREAD SCREW INTERNAL		04
12	0561014861	REGULATOR		01
13	0511013015	SLEEVE		01
14	0503010561	SPRING PIN		01
15	0503010257	1/8" X 1" COTTERPIN		01
16	0503030878	LEVER CRANK		01
17	0531014340	REAR PROTECTION		01
18	0503010237	3/8" X 1" BOLT		05
19	0501010984	FLAT WASHER		05
20	0503010025	3/8" SPRING WASHER		05
21	0503010026	3/8" NUT		05
22	0511063408	REAR COVER PROTECTION		01
23	0501017574	0.3" X 2.7" AXLE		02
24	0503010140	1/8" X 3/4" COTTERPIN		02
25	0501047881	AXIS JOINT ASSY	25	01
26	0503062157	HEADER JACK	26	01
27	0521010549	COUPLING SHAFT		01
28	0503030168	HAIR PIN		01
29	0511041110	BELL CRANK SUPPORT FIXATION	27	01
30	0511063853	LARGER DEFLECTOR		01
31	0521017623	0.5" X 1.5" COUPLING SHAFT		06

Item	Code	Description	See page	QT
32	0503030168	HAIR PIN		06
33	0503034154	BADGE DFCO 10.5		02
34	0503034155	BADGE DFCO 10.5		06
35	0503031859	ADHESIVE LABEL DANGER		02
36	0503031428	READ MANUAL DECAL		01
37	0503031827	LUBRICATE AND RETIGHTEN DAILY DECAL		01
38	0503033647	APPROVED BADGE		01
39	0503031809	ADHESIVE LABEL		01
40	0503031818	ADHESIVE LABEL		01
41	0503032425	ADHESIVE LABEL ATTENTION		01
42	0503034004	ALUMINUM IDENTIFICATION LABEL		01
43	0503032949	ADHESIVE LABEL		01
44	0503010001	3.2 X 5.5 RIVET		04
45	0503030751	REGULATOR PLATE		01
46	0503012209	RIVET POP		04
47	0521011107	CRANK BODY		01
48	0501010322	FLAT WASHER		16
49	0503013150	1300 X 3/8 CHAIN		01
50	0581011220	COUPLING SHAFT		01
51	0503010131	3/16" X 1-1/2" COTTERPIN		01
52	0511059187	ASSY LADDER	29	01
53	0511059024	ENGATE TRATOR COMPLETO	30	01
54	0511066176	HITCH PIN		01
55	0503010010	1/4" X 2.1/2" COTTERPIN		01
56	0521068792	COVER PROTECTION		01
57	0503010237	3/8" X 1" BOLT		02
58	0501010984	FLAT WASHER		02
59	0503010026	3/8" NUT		02
60	0521068801	SUPPORT BELT PROTECTION		01
61	0581017449	FRONT PROTECTION BELT		01
62	0503010849	3/8" X 1-1/2" BOLT		02
63	0501010984	FLAT WASHER		04
64	0503010025	3/8" SPRING WASHER		02
65	0503010026	3/8" NUT		02
66	0591016128	SIDE PROTECTION BELT		01
67	0581017453	FLANGE PROTECTION COVER		01
68	0503010237	3/8" X 1" BOLT		02
69	0503010025	3/8" SPRING WASHER		02
70	0581017469	PROTECTION SIDE		01
71	0503035156	LABEL ADHESIVE		01
72	0521068794	BELT INTERNAL PROTECTION		01
73	0581015152	COVER PROTECTION		01
74	0503010240	5/16" X 3/4" BOLT		02
75	0503010179	5/16" ZN SPRING WASHER		02
76	0501010984	FLAT WASHER		02
77	0503034648	ADHESIVE LABEL		01
78	0531051123	CATALOGUE/MANUAL CANISTER ASSY	31	01
79	0503034156			01
80	0503033647	APPROVED BADGE		01
81	0503019416	RIVET SCREW THREAD INTERNAL		02

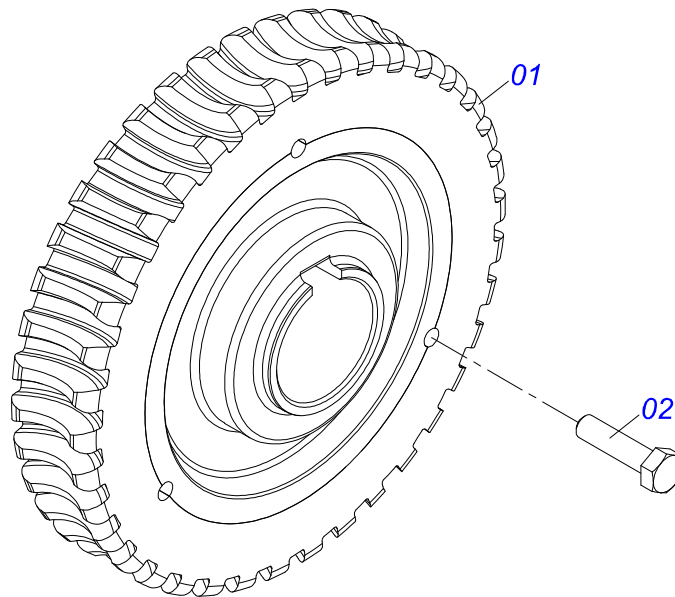


Item	Code	Description	See page	QT
01	0531014337	PROTECTION LARGER	02	
02	0531014336	31.4"X3.1"X 0.1" PROTECTION SMALLER	01	
03	0531014331	SLUICE VALVE FIXER COVER	01	
04	0503010237	3/8" X 1" BOLT	11	
05	0503011443	3/8" SPRING WASHER	11	
06	0503010026	3/8" NUT	11	
07	0503010751	C3/8" X 1.1/4" HEX BOLT G.5	04	
08	0501010984	FLAT WASHER	08	
09	0503011443	3/8" SPRING WASHER	04	
10	0503010026	3/8" NUT	04	
11	0511059105	SLUICE VALVE SUPPORT	01	
12	0511059108	SLUICE VALVE COVER ASSY	01	
13	0531014345	DRIVEN AXLE	01	
14	0502040728	7Z GEAR	03	
15	0503010361	SPRING PIN	03	
16	0501010794	HIDR CHOCK REGULATOR	04	
17	0503010233	5/8" X 2-1/2" BOLT	04	
18	0503010013	5/8" NUT	04	
19	0531014346	MOTOR SHAFT	01	
20	0502040728	7Z GEAR	03	
21	0503010361	SPRING PIN	03	
22	0503010740	BOLT 1/2 UNC X 2 CS G.5 ZN	08	
23	0511017302	FLAT WASHER	08	
24	0503011440	SPRING WASHER	08	
25	0503010060	1/2" NUT	08	
26	0511065278	DRIVE THE TRANSPORT TALISCA	01	
27	0501067853	ROD STABILIZER	02	
28	0503010013	5/8" NUT	02	
29	0501010540	KEYWAY SQUARE	02	
30	0511016540	MAT COUPLING FLANGE	01	
31	0511016541	REDUCTION COUPLING FLANGE	01	

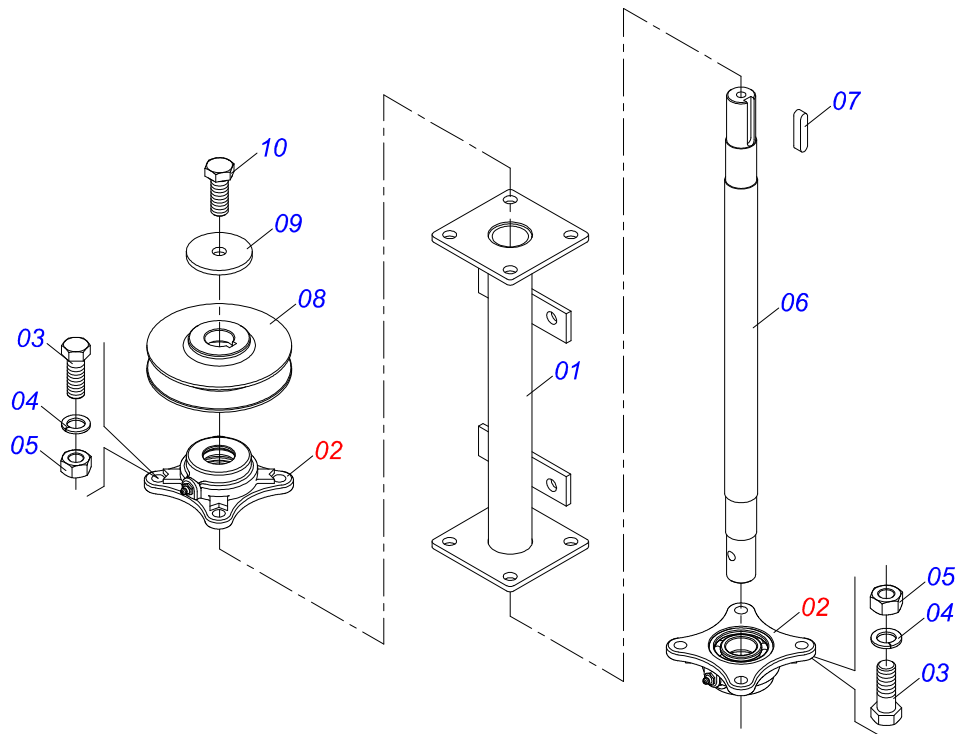
Item	Code	Description	See page	QT
32	0503010849	3/8" X 1-1/2" BOLT		02
33	0503011443	3/8" SPRING WASHER		02
34	0503010026	3/8" NUT		02
35	0501047985	REDUCER	4	01
36	0503011167	M16 X 2 X 30 BOLT		04
37	0511063668	REAR FIXER COVER		01
38	0503010238	BOLT 1/2 UNC X 1.3/4 CS G.2 ZN		04
39	0511017302	FLAT WASHER		04
40	0503011440	SPRING WASHER		04
41	0503010060	1/2" NUT		04
42	0511063659	RIGHT FLOW DIVIDING		01
43	0511063660	LEFT FLOW DIVIDING		01
44	0531061725	REAR DEFLECTOR SUPPORT		01
45	0531015309	TENSIONER OPEN		01
46	0501067368	DIVISOR REGULATOR OPEN		02
47	0503010849	3/8" X 1-1/2" BOLT		01
48	0503010026	3/8" NUT		02
49	0501054013	RIGHT BEARRING SUPPORT DISC	6	02
50	0503010920	1/2" X 1.1/2" BOLT		08
51	0503011440	SPRING WASHER		08
52	0503010060	1/2" NUT		08
53	0501053870	DISTRIBUTOR RIGHT DISC ASSY	8	01
54	0501053871	DISTRIBUTOR LEFT DISC ASSY	9	01
55	0503010361	SPRING PIN		02
56	0511041213	AGRICULTURAL BEARING	10	03
57	0511017302	FLAT WASHER		02
58	0521068109	FIXER PROTECTION COVER		01
59	0531014324	TOOTH COVER		01
60	0531050090	DRAWBOLT ASSY	14	01
61	0501010536	KEYWAY SQUARE		01
62	0502012936	1 C X 219 X 30 PULLEY		01
63	0511014052	FLAT WASHER		01
64	0503011446	SPRING WASHER		01
65	0503010355	7/16" X 1" BOLT		01
66	0531014338	BAMPER		01
67	0503010920	1/2" X 1.1/2" BOLT		02
68	0511017302	FLAT WASHER		02
69	0503011440	SPRING WASHER		02
70	0503010060	1/2" NUT		02
71	0503011098	1/4" GREASE FITTING		04
72	0503011445	SPRING WASHER		10
73	0501012140	FLAT WASHER		08
74	0531050089	FULL DISK PROTECTOR	11	01
75	0503011267	BOLT 5/8 UNC X 1.1/2 C S G.5 ZN		02
76	0503010013	5/8" NUT		02
78	0521065215	FRAME BUCKET		01
79	0501044308	AGRICULTURAL BEARING ASSY	12	04
80	0501053868	BELT TENSIONER ASSY	13	01
81	0521068822	BEARING PROTECTION		03



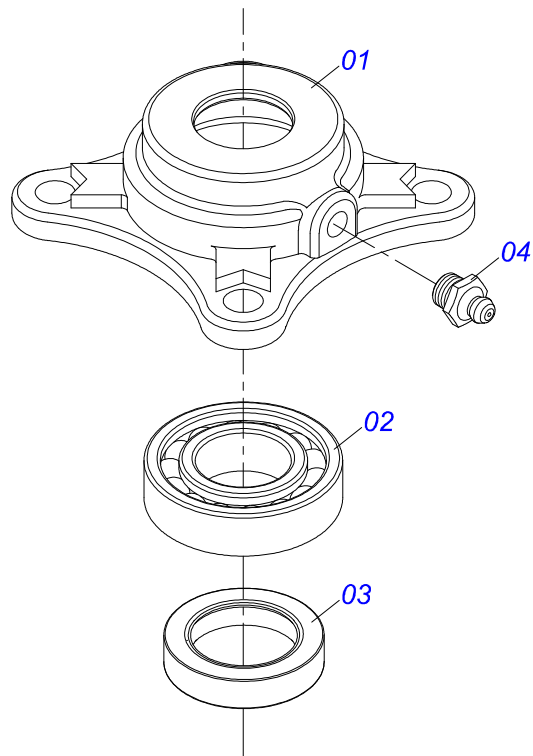
Item	Code	Description	See page	QT
01	0502011456	REDUCTION BOX		01
02	0503011095	6208 BALL BEARING		02
03	0501051774	38Z CROWN	5	01
04	0503011304	1/2" X 2.4" KEYWAY SQUARE		01
05	0503010818	02675-BRG SEAL		01
06	0521010996	AXLE		01
07	0502020556	LARGER COVER		01
08	0503010240	5/16" X 3/4" BOLT		10
09	0503010016	BEARING LM		02
10	0521010997	SCREW THEAD		01
11	0503011171	00912-BRG SEAL		01
12	0502011457	SMALLER COVER		01
13	0503030981	102 X 75,5 X 0,10 JOINT		01
14	0521011023	PLUG		01
15	0503031604	1/2" BSP PLUG		01
16	0503010856	OIL PLUG		01



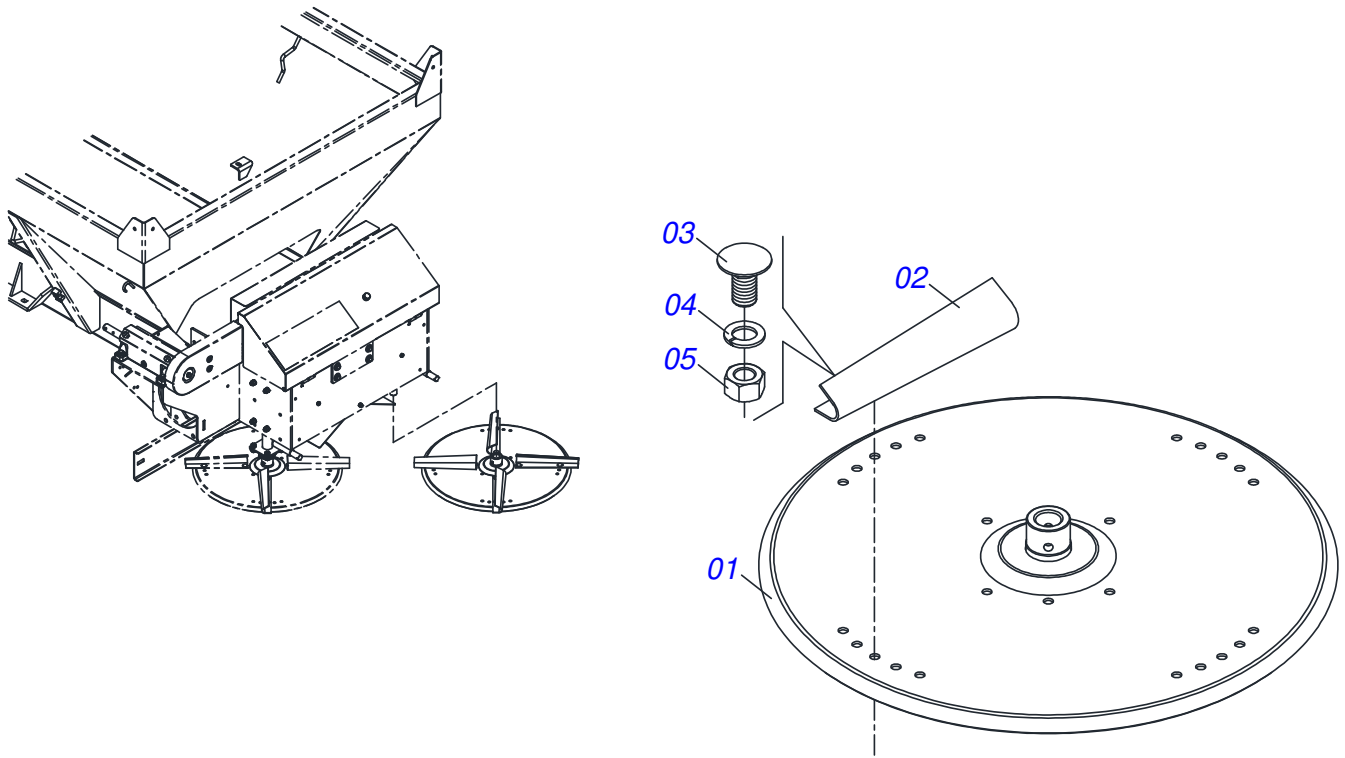
Item	Code	Description	See page	QT
01	0501110280	38Z CONICAL		01
02	0503010365	NUT		03



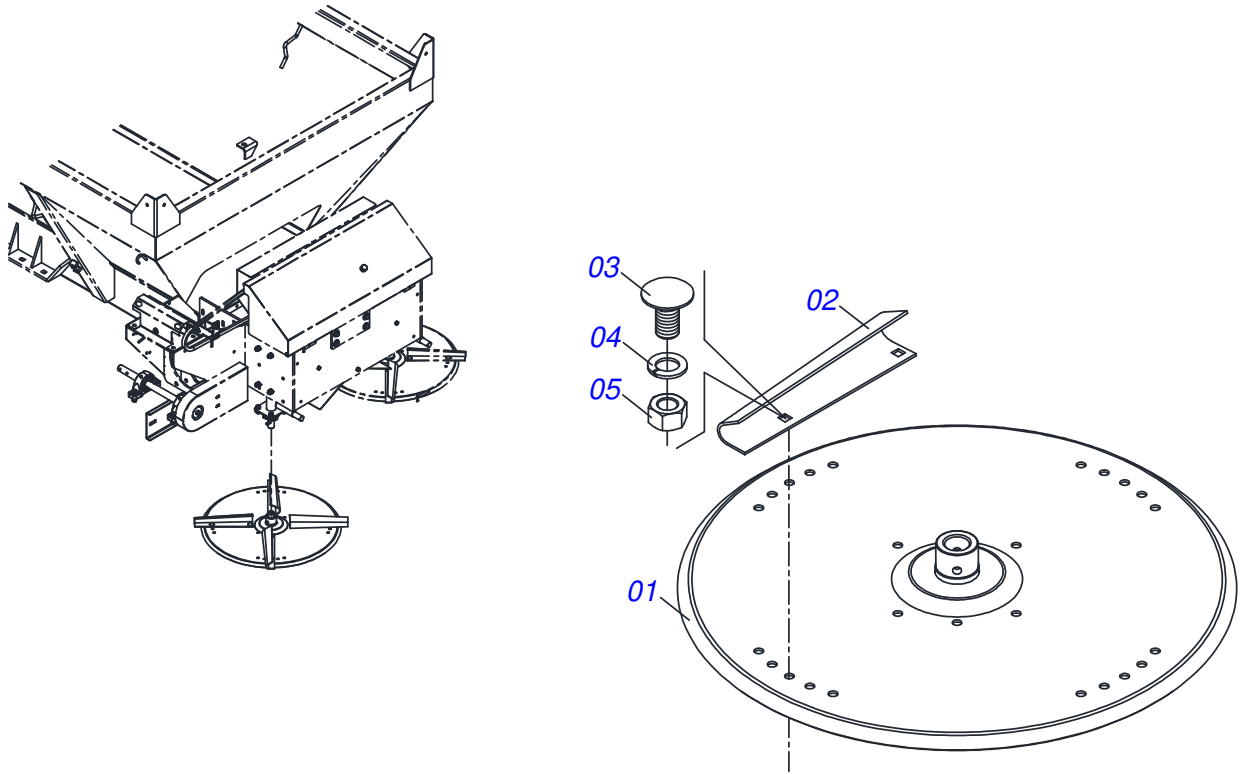
Item	Code	Description	See page	QT
01	0511063742	DISTRIBUTOR RIGHT/LEFT SUPPORT		01
02	0501048000	AGRICULTURAL BEARING	7	02
03	0503011135	BOLT		08
04	0503011446	SPRING WASHER		08
05	0503010244	7/16" NUT		08
06	0511016489	DISTRIBUTOR AXLE CONDUCTOR DISC		01
07	0501010536	KEYWAY SQUARE		01
08	0502011361	REEL 1C 5.5" X 1.1" PULLEY		01
09	0511014052	FLAT WASHER		01
10	0503010237	3/8" X 1" BOLT		01



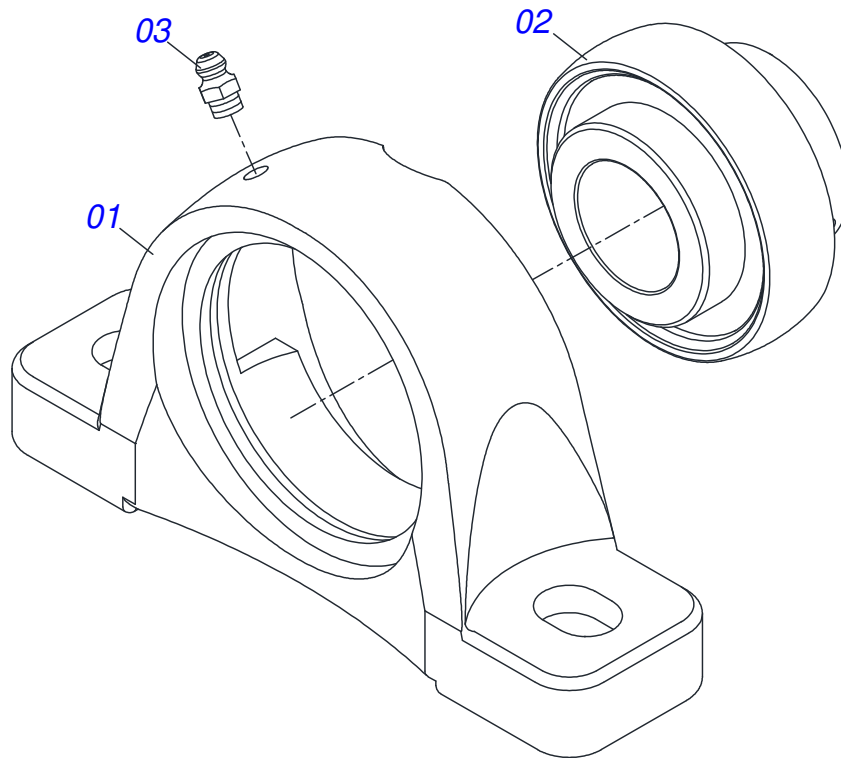
Item	Code	Description	See page	QT
01	0502011442	AGRICULTURAL HOUSING BEARING		01
02	0503010276	6206 BALL BEARING		01
03	0503011865	SEAL		01
04	0503010002	1800 GREASE FITTING		01



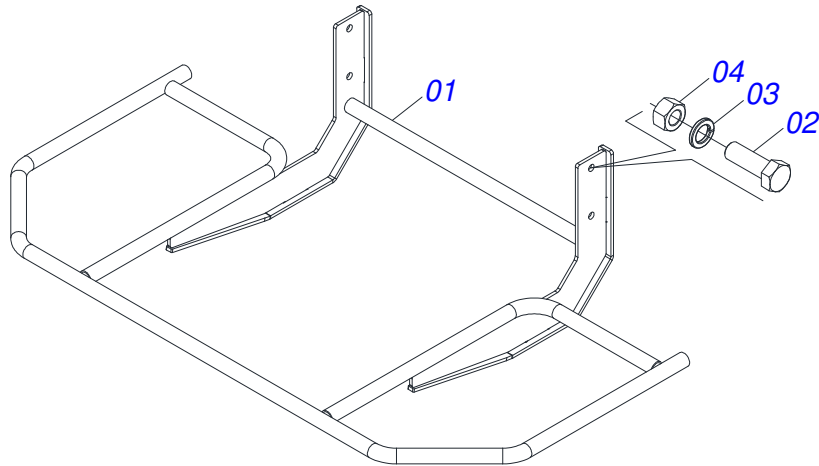
Item	Code	Description	See page	QT
01	0511063411	DISTRIBUTOR DISC		01
02	0531014343	RH FLIP		04
03	0503013029	3/8" X 3/4" BOLT		08
04	0503011443	3/8" SPRING WASHER		08
05	0503010026	3/8" NUT		08



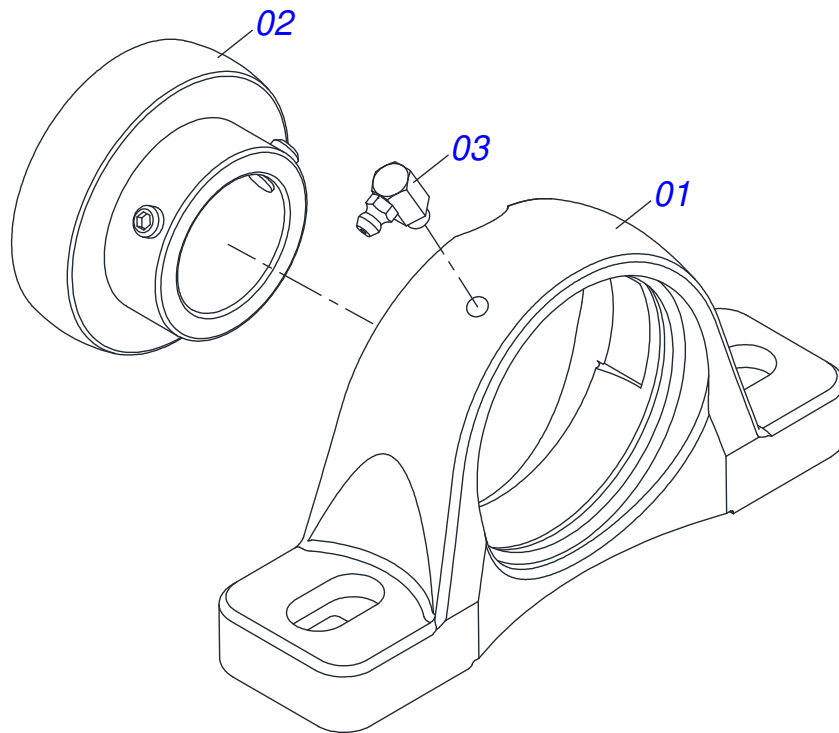
Item	Code	Description	See page	QT
01	0511063411	DISTRIBUTOR DISC		01
02	0531014344	LH FLIP		04
03	0503013029	3/8" X 3/4" BOLT		08
04	0503011443	3/8" SPRING WASHER		08
05	0503010026	3/8" NUT		08



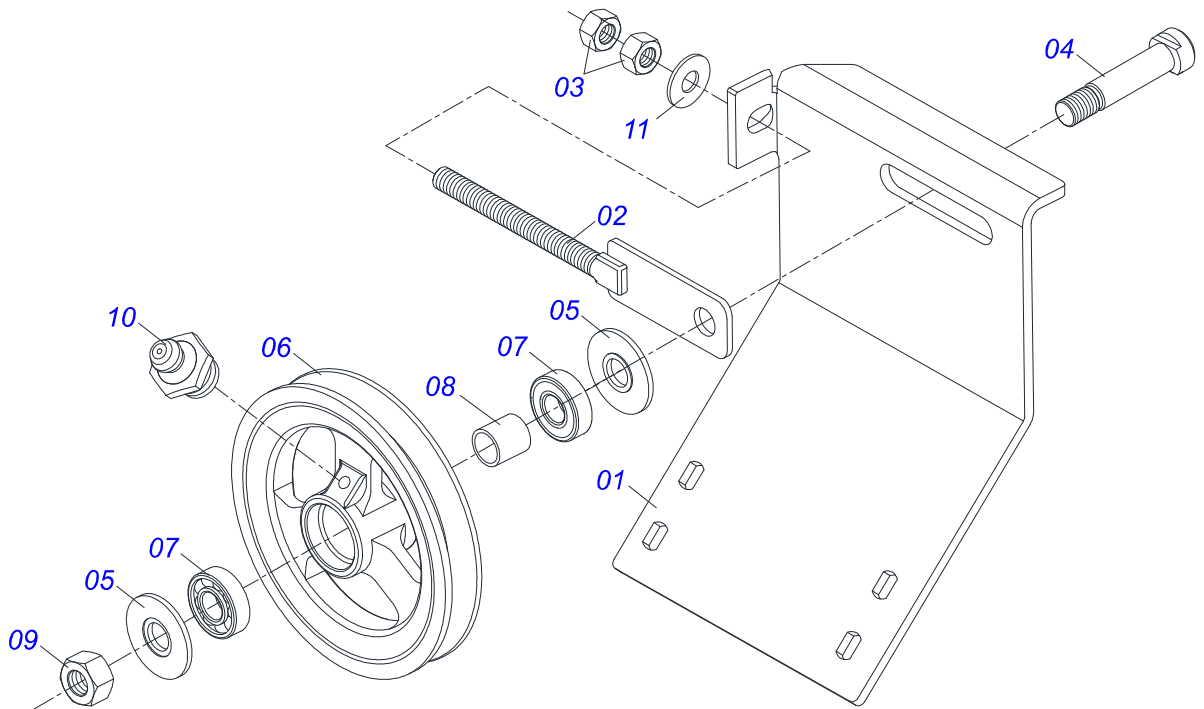
Item	Code	Description	See page	QT
01	0502011954	AGRICULTURAL HOUSING BEARING		01
02	0503011884	BALL BEARING		01
03	0503010691	1/4" GREASE FITTING		01



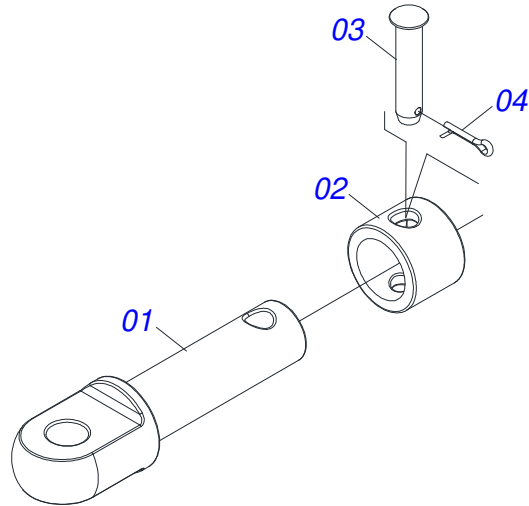
Item	Code	Description	See page	QT
01	0531061724	DISK PROTECTOR		01
02	0503010920	1/2" X 1.1/2" BOLT		04
03	0503011440	SPRING WASHER		04
04	0503010060	1/2" NUT		04



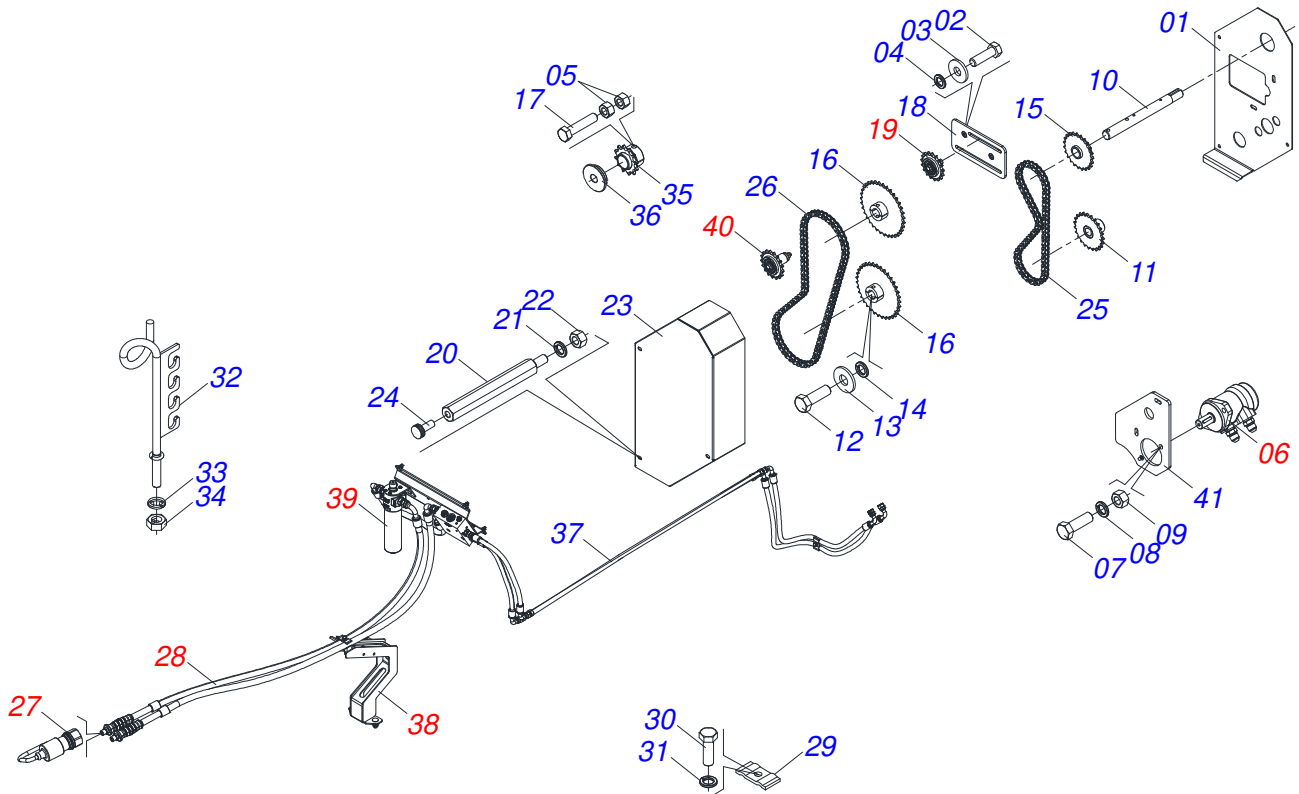
Item	Code	Description	See page	QT
01	0502011050	AGRICULTURAL HOUSING BEARING		01
02	0503011163	1108/UCR BEARING ASSY		01
03	0503010004	1890 GREASE FITTING		01



Item	Code	Description	See page	QT
01	0531014326	PULLEY BODY SUPPORT		01
02	0511064818	PULLEY TENSIONER		01
03	0503010013	5/8" NUT		02
04	0511012362	TIGHTENER AXLE PULLEY		01
05	0501019288	WASHER SPACER		02
06	0502011366	REEL 1C 8.3" X 1.6" PULLEY		01
07	0503010690	6204 BALL BEARING		02
08	0521010497	0.8" X 1.1" X 1.1" SPACER		01
09	0503010014	3/4" NUT		01
10	0503010002	1800 GREASE FITTING		01
11	0501012140	FLAT WASHER		01

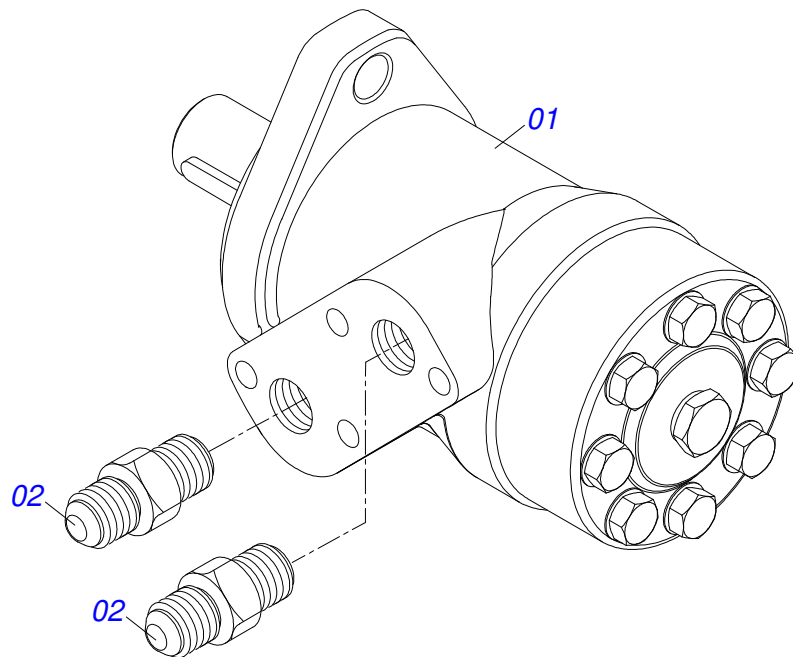


Item	Code	Description	See page	QT
01	1902040223	PIN HITCH		01
02	1902040327	LOCK SLEEVE		01
03	0521010579	COUPLING SHAFT		01
04	0503010571	1/4" X 1.1/2 COTTERPIN		01

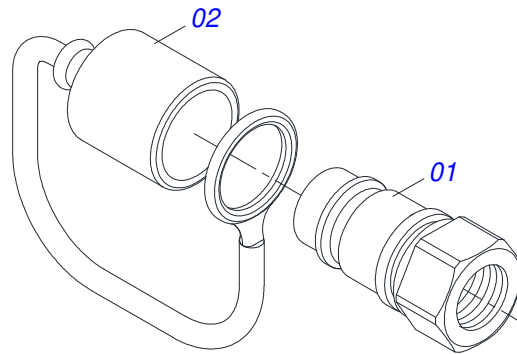


Item	Code	Description	See page	QT
01	0571015456	PROTECTION REAR		01
02	0503010849	3/8" X 1-1/2" BOLT		04
03	0501010984	FLAT WASHER		07
04	0503011443	3/8" SPRING WASHER		05
05	0503010026	3/8" NUT		09
06	0511053588	MOTOR HYDRAULIC OMP 80 WITH NIPPLE 7/8 NIPPE 7/8		01
07	0503010920	1/2" X 1.1/2" BOLT		02
08	0503011440	SPRING WASHER		02
09	0503010060	1/2" NUT		02
10	0571015190	DRIVE AXLE		01
11	0521064566	GEAR HIDRAULIC MOTOR		01
12	0503011257	M 8 X 1,25 X 30 BOLT		01
13	0501010694	8.5 X 18 X 1.5 FLAT WASHER		01
14	0503011444	SPRING WASHER		01
15	0521063041	GEAR 23Z		01
16	0501069020	35Z GEAR		02
17	0503011141	3/8" X 2-3/4" BOLT		04
18	0521064691	SUPPORT TENSIONER		01
19	0511054496	TENSIONER SMALEER ASSY		01
20	0571015189	PRISONER 3/8"		03
21	0503010025	3/8" SPRING WASHER		03
22	0503010026	3/8" NUT		03
23	0571015457	CHAIN CAP		01
24	0503010386	CABLE		03
25	0503013061	50-1 CHAIN X 64 LINK + REDUCTION		01
26	0503013003	50-1 CHAIN X 79 LINK + REDUCTION + MENDING		01
27	0501053834	MALE QUICK COUPLER	17	02
28	0521058120	SIMPLE HYDRAULIC ACTUATION HOSE SET	18	01
29	0531011180	UPPER BODY CLIP		05
30	0503012555	SCREW 7/16 UNC X 2 CS RT G.7 ZN		05
31	0503010180	7/16" SPRING WASHER		05

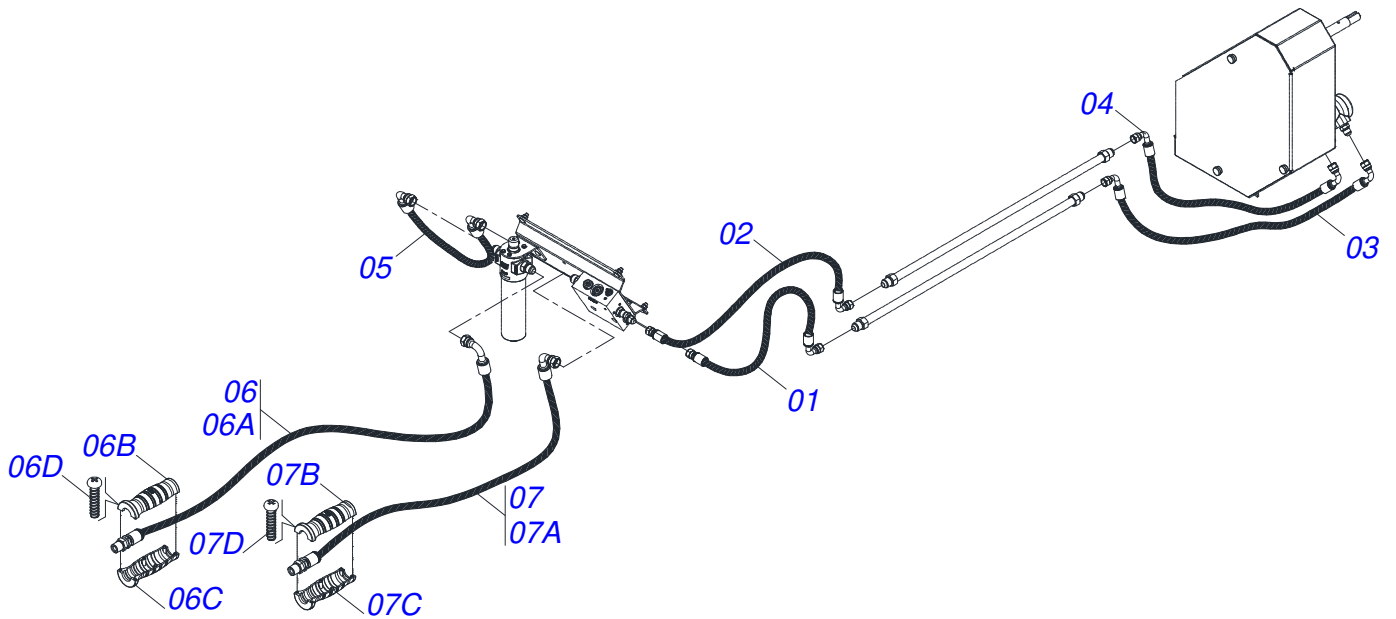
Item	Code	Description	See page	QT
32	0501060409	HOSE SOPPORT ASSY		01
33	0503010023	3/4" SPRING WASHER		01
34	0503010014	3/4" NUT		01
35	0501069017	12Z GEAR		01
36	0581011125	LOCK WASHER		01
37	0531060946	OIL DUCT 3000 R.7/8 UNF 14 FPP		02
38	0521058094	SUPPORT HOSE	19	01
39	0521057951	SUPPORT SIMPLE HYDRAULIC DRIVE	20	01
40	0511054497	TENSIONER LARGER ASSY	24	01
41	0571015182	HIDRAULIC MOTOR SUPPORT		01



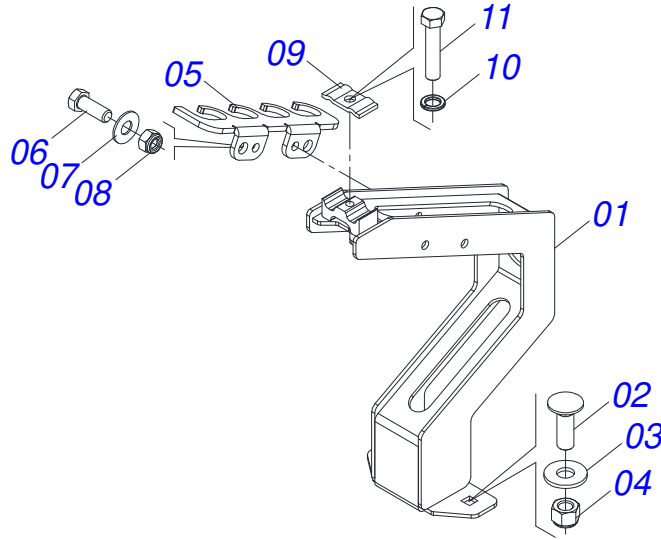
Item	Code	Description	See page	QT
01	0503016055	MOTOR HYDRAULIC PARKER OMP 80 ISOBUS		01
02	0511014065	7/8" NF X R1/2NPT X 52 NIPPLE		02



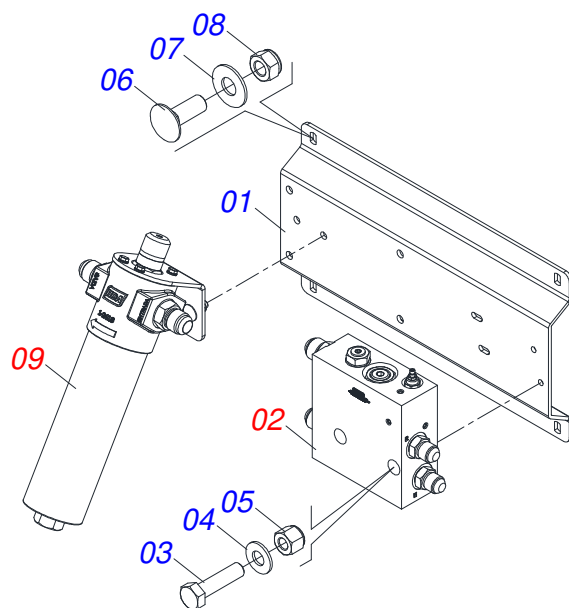
Item	Code	Description	See page	QT
01	0503011627	MALE QUICK COUPLER AGR 1/2 NPT		01
02	0503011882	MALE QUICK COUPLER CAP		01



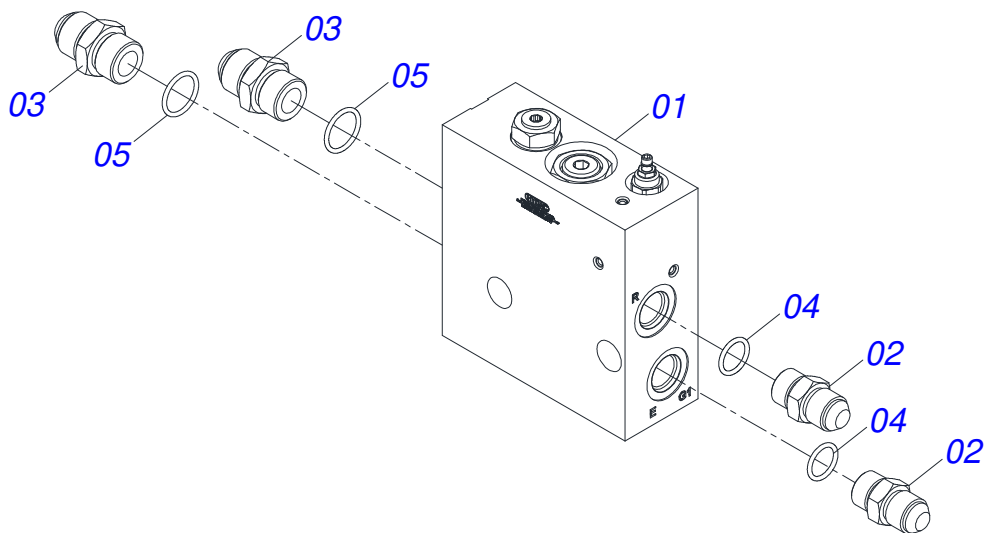
Item	Code	Description	See page	QT
01	0501081235	1/2 X 650 TR- TC HOSE		01
02	0501080218	1/2 X 750 HOSE		01
03	0501082303	HOSE 1/2 X 930 TC-TC 90G		01
04	0501082304	1/2 X 1000 TR-TC HOSE		01
05	0501081365	HOSE 3/4 X 680 TC-TC 180G		01
06	0521057977	HOSE 3/4 X 2100 TC-TM AMARILLO/AZUL		01
06A	0501082295	HOSE 3/4 X 2100 TC - TM R.1/2NPT		01
06B	0503034493	HYDRAULIC HOSE DEPTH (YELLOW)		01
06C	0503034494	HYDRAULIC HOSE GRIP (BLUE)		01
06D	0503018952	PLASTIC BOLT		06
07	0521057976	HOSE 3/4 X 2100 TC-TM YELLOW/RED		01
07A	0501082295	HOSE 3/4 X 2100 TC - TM R.1/2NPT		01
07B	0503034493	HYDRAULIC HOSE DEPTH (YELLOW)		01
07C	0503034495	HYDRAULIC HOSE GRIP (RED)		01
07D	0503018952	PLASTIC BOLT		06



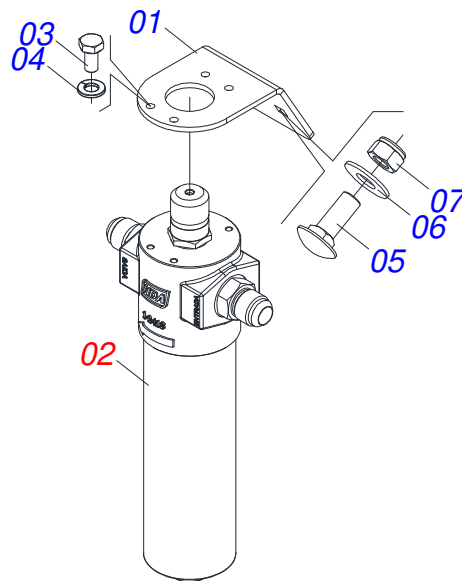
Item	Code	Description	See page	QT
01	0531060944	HOSE HOLDER ASSY		01
02	0503014378	1/2" X 1-1/2" BOLT		02
03	0511017302	FLAT WASHER		02
04	0503010589	1/2" UNC SELF ADJUSTING NUT		02
05	0591018556	HOSE FIXER ASSY		01
06	0503011087	3/8" X 1" BOLT		02
07	0501013518	FLAT WASHER		02
08	0503013357	3/8" SELF-ADJUSTING NUT		02
09	0531011180	UPPER BODY CLIP		01
10	0503010180	7/16" SPRING WASHER		01
11	0503011173	7/16" X 2" BOLT		01



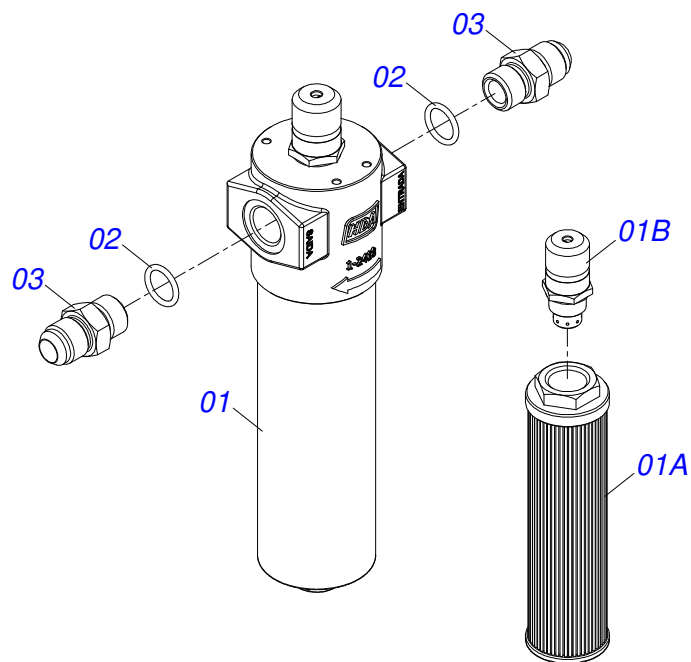
Item	Code	Description	See page	QT
01	0591013644	SUPPORT SET HIDRAULICO		01
02	0521057953	BLOCK HYDAC	21	01
03	0503011766	5/16" X 2-1/2" BOLT		02
04	0501010694	8.5 X 18 X 1.5 FLAT WASHER		02
05	0503013759	NUT		02
06	0501011643	3/8 X 1" BOLT		04
07	0501013518	FLAT WASHER		04
08	0503013357	3/8" SELF-ADJUSTING NUT		04
09	0521057952	FILTER PRES PARKER HDA FP20 10FV 06B LV6	22	01



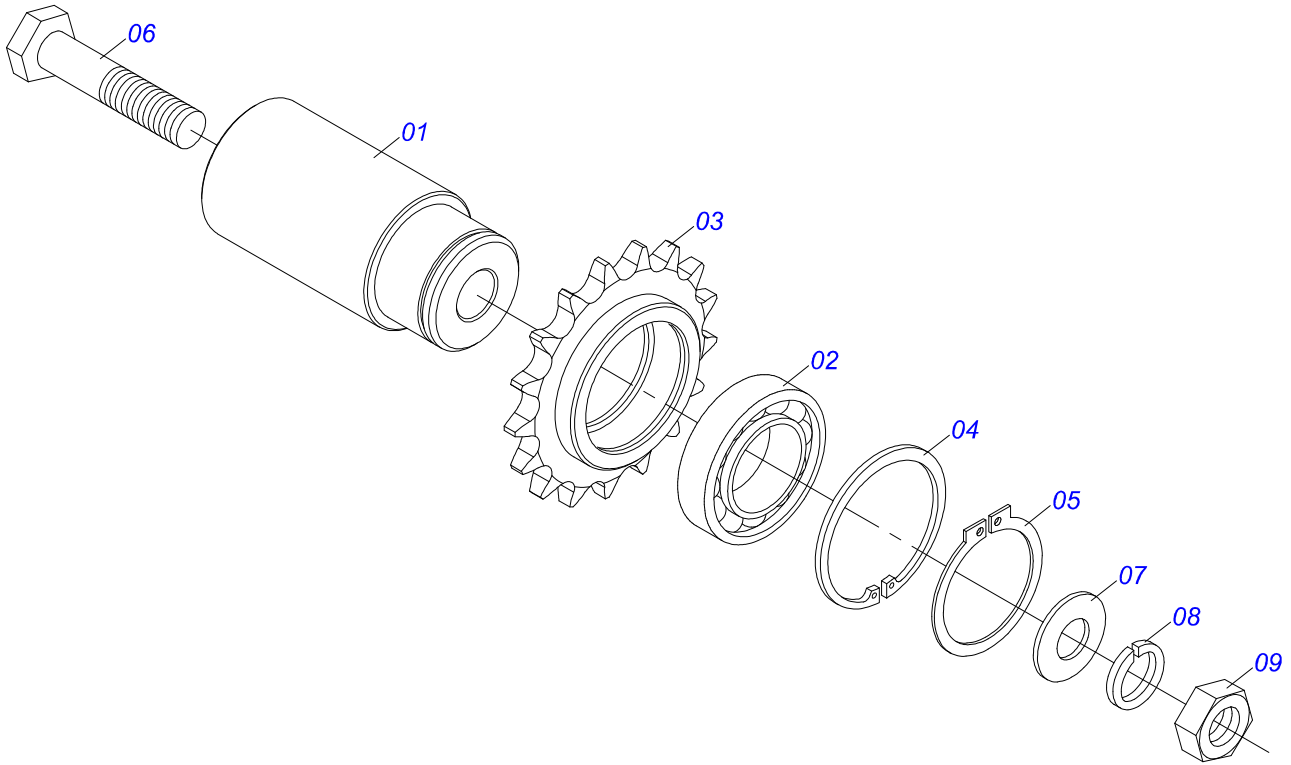
Item	Code	Description	See page	QT
01	0503063271	BLOCK		01
02	0501010590	NIPPLE		02
03	0501010589	R. 1.1/16UN SEXT 1.1/4 X 52 NIPPLE		02
04	0503010045	O'RING		02
05	0503011109	2-119 N 3006-9B O'RING		02



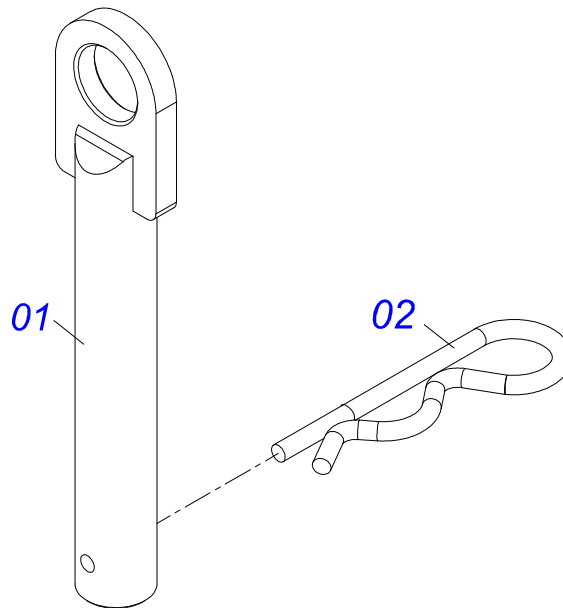
Item	Code	Description	See page	QT
01	0591013645	PRESSURE FILTER SUPPORT		01
02	0521057599	FILTER PRESS PARKER HDA FP20 10FV 06B LV6 WITH NIPPLE	23	01
03	0503011812	BOLT M6 X 1 X 12 CS 8.8 ZN		04
04	0503010143	1/4" SPRING WASHER		04
05	0501011643	3/8 X 1" BOLT		02
06	0501013518	FLAT WASHER		02
07	0503013357	3/8" SELF-ADJUSTING NUT		02



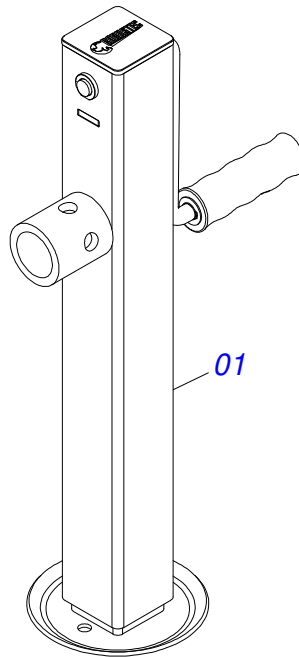
Item	Code	Description	See page	QT
01	0503063077	PRESSURE FILTER PARKER HDA FP20 10FV 06B LV6		01
01A	0503035357	FILTERING ELEMENT FOR PRESSURE FILTER		01
01B	0503019963	DIRT PRESSURE LINE INDICATOR		01
02	0503010605	O'RING		02
03	0591012696	NIPPLE 3/4 BSP X 1.1/16 UNF		02



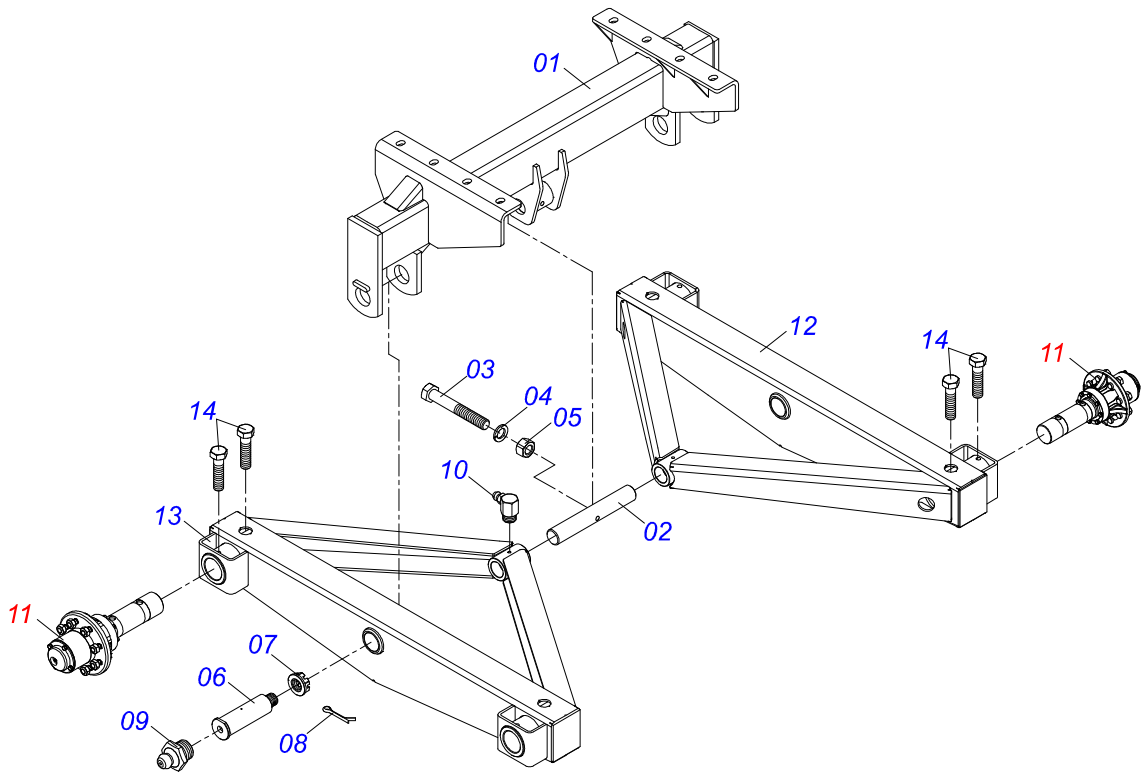
Item	Code	Description	See page	QT
01	0571015186	AXLE TIGHTENER 26		01
02	0503011410	ROLLER BEARING		01
03	0511061836	17Z GEAR		01
04	0503011105	SEAL RING		01
05	0503010406	501025 CLAMPING RING (FOR AXLE)		01
06	0503010718	3/8" X 3-1/2" BOLT		01
07	0501010984	FLAT WASHER		01
08	0503010025	3/8" SPRING WASHER		01
09	0503010026	3/8" NUT		01



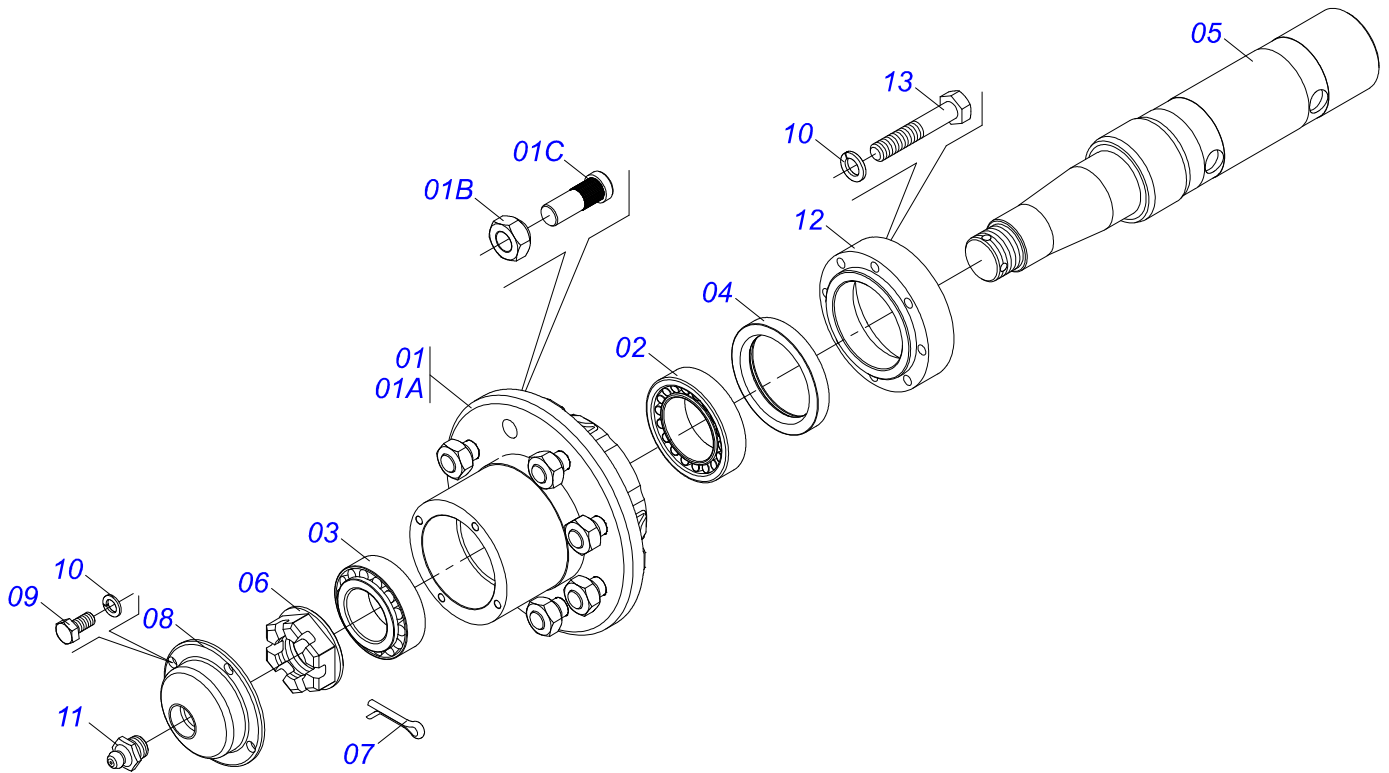
Item	Code	Description	See page	QT
01	0501068989	COUPLING SHAFT		01
03	0503031035	HAIR PIN		01



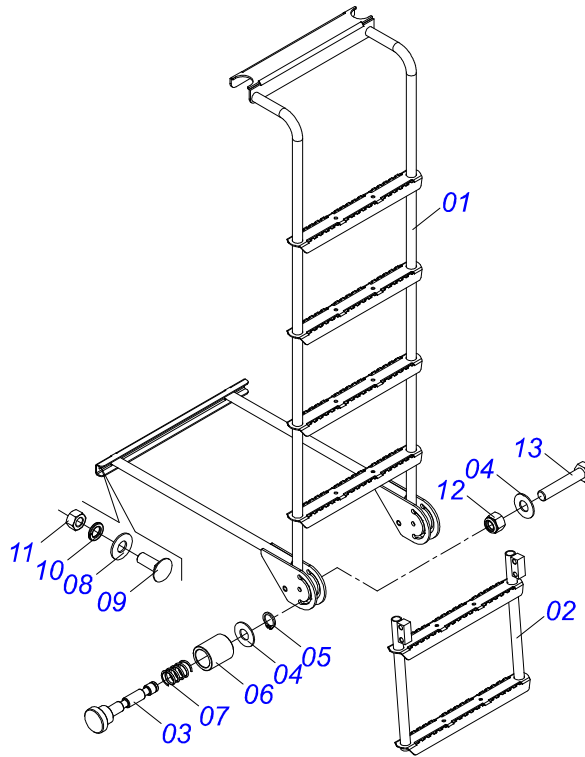
Item	Code	Description	See page	QT
01	0503062157	HEADER JACK	26	01



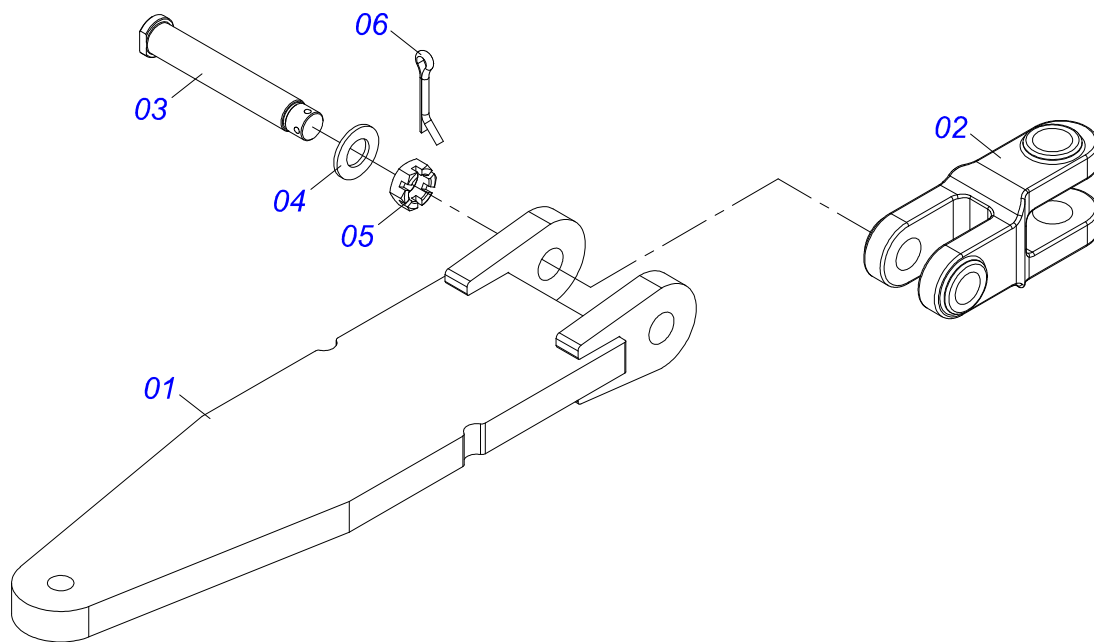
Item	Code	Description	See page	QT
01	0511063936	ROCKER ARM FIXER SUPPORT		01
02	0531016579	CENTRAL AXLE		01
03	0503010547	1/2" X 4" BOLT		01
04	0503011440	SPRING WASHER		01
05	0503010060	1/2" NUT		01
06	0521069954	COUPLING SHAFT 60,10 X 183		02
07	0501011301	1.1/2 UNC 6FPP 2.5/16 NUT		02
08	0503010010	1/4" X 2.1/2" COTTERPIN		02
09	0503010002	1800 GREASE FITTING		02
10	0503010004	1890 GREASE FITTING		02
11	0501056347	CARRYING WHEELS WITHOUT TIRE	28	04
12	0511066145	RIGHT ROCKER ARM		01
13	0511066146	LEFT ROCKER ARM		01
14	0503010233	5/8" X 2-1/2" BOLT		08



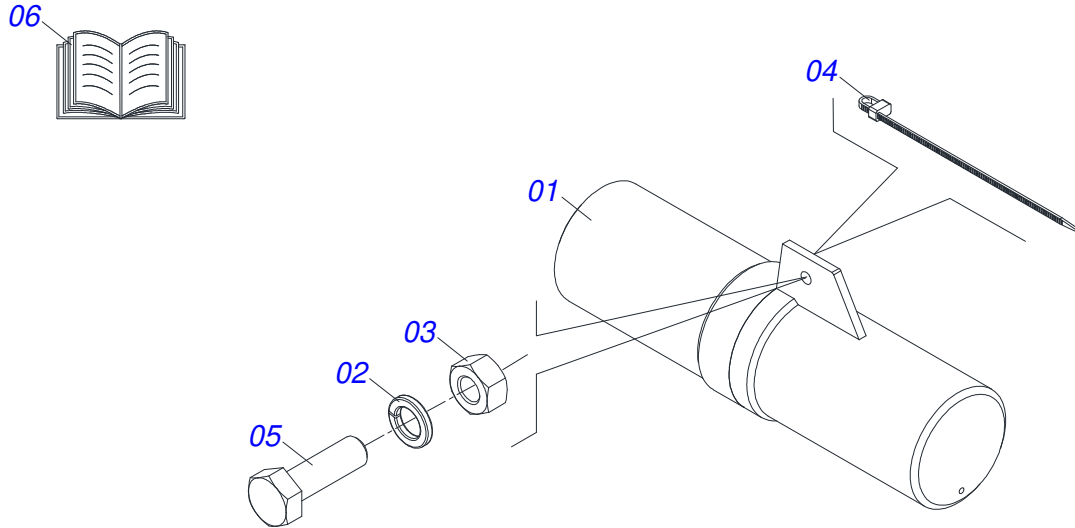
Item	Code	Description	See page	QT
01	0501110763	CARRYING WHEEL HUB		01
01A	0502012318	CARRYING WHEEL HUB		01
01B	0503010064	5/8 UNF CONIC NUT		08
01C	0501011052	5/8" X 1-3/4" BOLT		08
02	0503013453	SKF 33011 ROLLER BEARING		01
03	0503013454	SKF 33109 ROLLER BEARING		01
04	0503010086	SEAL 0009B-B		01
05	0541015586	WHEEL AXLE		01
06	0501010630	1.1/2" CASTLE NUT		01
07	0503010523	1/4" X 2" COTTERPIN		01
08	0502020592	COVER		01
09	0503010295	SCREW 5/16 UNC X 5/8 CS G.2 ZN		04
10	0503011444	SPRING WASHER		12
11	0503010002	1800 GREASE FITTING		01
12	0502012175	SEAL FLANGE		01
13	0503010397	5/16" X 1-3/4" BOLT		08



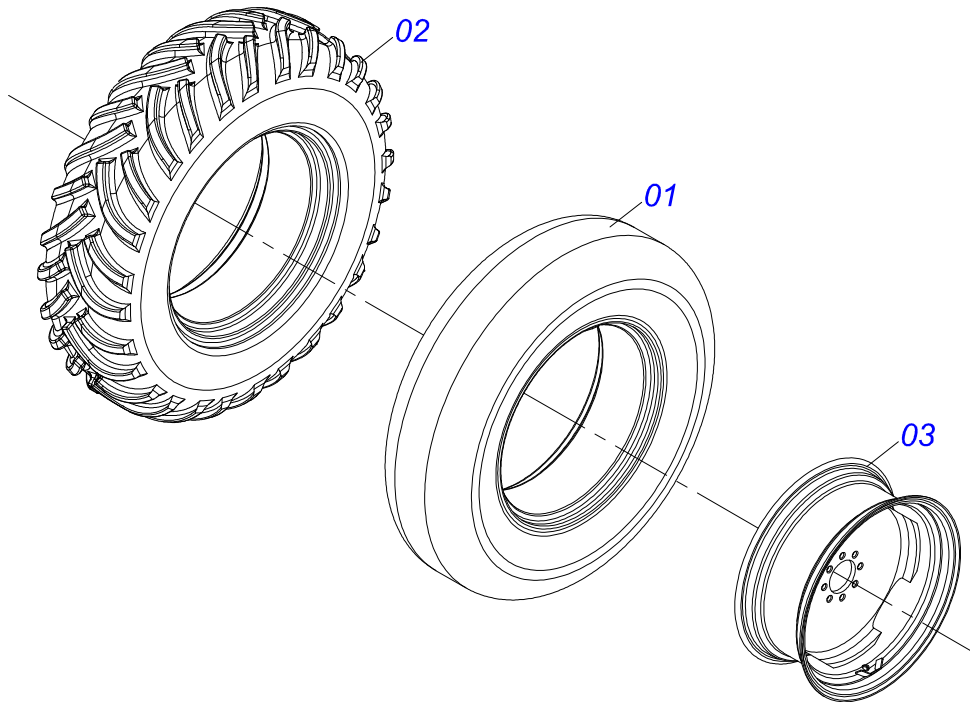
Item	Code	Description	See page	QT
01	0521067129	LADDER		01
02	0521067130	LADDER EXTENDER		01
03	0571019930	EXTENSION LOCK AXLE		01
04	0501013519	FLAT WASHER		03
05	0503010291	501012 CLAMPING RING (FOR AXLE)		01
06	0571019931	GUIDE GLOVE		01
07	0503032035	0.7" X 1.2" X 1" COMPRESSION SPRING		01
08	0501013518	FLAT WASHER		02
09	0501011643	3/8 X 1" BOLT		02
10	0503010025	3/8" SPRING WASHER		02
11	0503010026	3/8" NUT		02
12	0503010589	1/2" UNC SELF ADJUSTING NUT		02
13	0503010734	1/2" X 2-1/2" BOLT		02



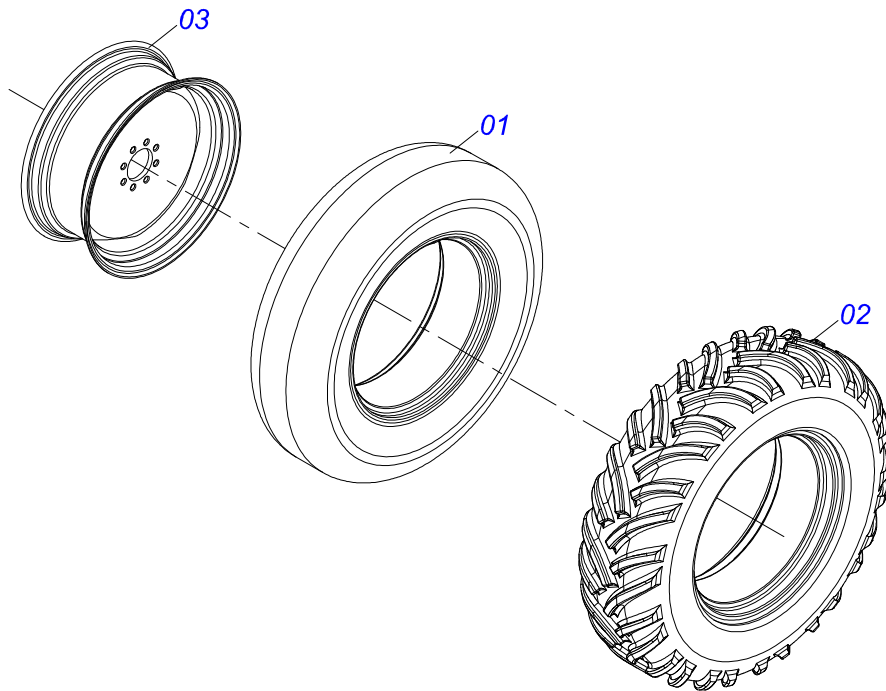
Item	Code	Description	See page	QT
01	0511066154	SEMI COUPLING		01
02	1902040330	TRACTOR HITCH		01
03	0541014957	PIN DRAG		01
04	0501017779	32 X 60 X 4.75 FLAT WASHER		01
05	0503011052	1.1/4" X 0.77" CASTLE NUT		01
06	0503010010	1/4" X 2.1/2" COTTERPIN		01



Item	Code	Description	See page	QT
01	0503060100	OPERATOR'S MANUAL STORAGE TUBE		01
02	0503010179	5/16" ZN SPRING WASHER		01
03	0503010337	5/16" NUT		01
04	0503010267	NYLON CLAMP		01
05	0503010363	5/16" X 1" BOLT		01
06	0511031524	PACKING WITH INSTRUCTION MANUAL		01



Item	Code	Description	See page	QT
01	0503013040	0.5" X 1" VALVE STEM		01
02	0503013039	0.5" X 1" -10 CANVAS TIRE		01
03	0511063924	DCCO 10500 WHEEL		01



Item	Code	Description	See page	QT
01	0503013040	0.5" X 1" VALVE STEM		01
02	0503013039	0.5" X 1" -10 CANVAS TIRE		01
03	0511063924	DCCO 10500 WHEEL		01



civemasa

Technical Publications | Elaboration and Revision

LORENA ROCHA ALVES

www.civemasa.com.br

