

**LIME AND FERTILIZER SPREADER**

## **DFSC 10.5 MC**

**Code:** 0501093225  
**Series:** S-0114  
**Revision:** 01  
**Revision Date:** FEVEREIRO/2022

# **PARTS CATALOGUE**


***CIVEMASA***

# PRODUCTS

| <b>Code</b> | <b>Description</b> |        |
|-------------|--------------------|--------|
| 0120430004  | DFSC 10.5 MC       | S-0114 |

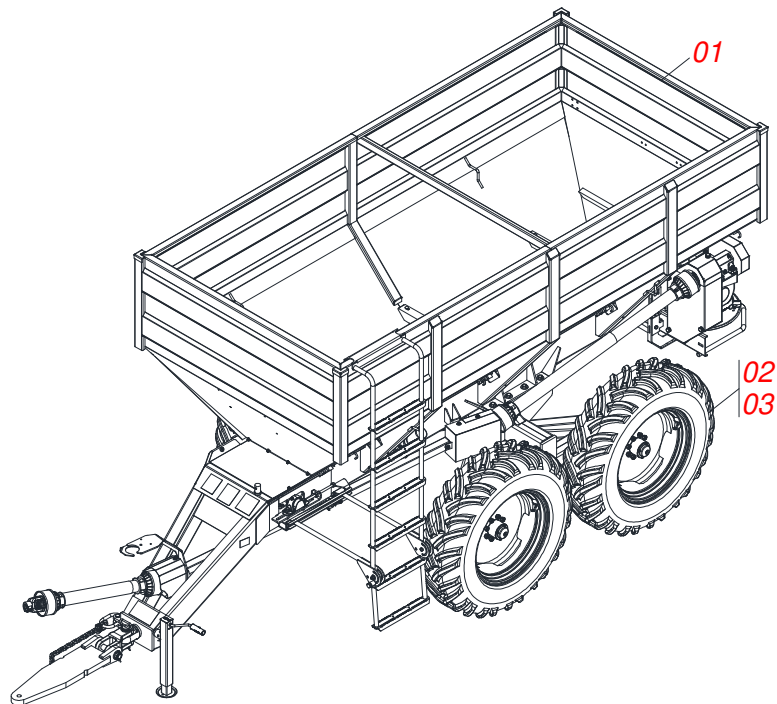
## **ATTENTION: IMPORTANT**

CIVEMASA reserves the right to improve and/or modify the technical features of its products, without obligation to do the same with those products already sold and without prior knowledge of the dealer or the consumer. The photos are only illustrative.

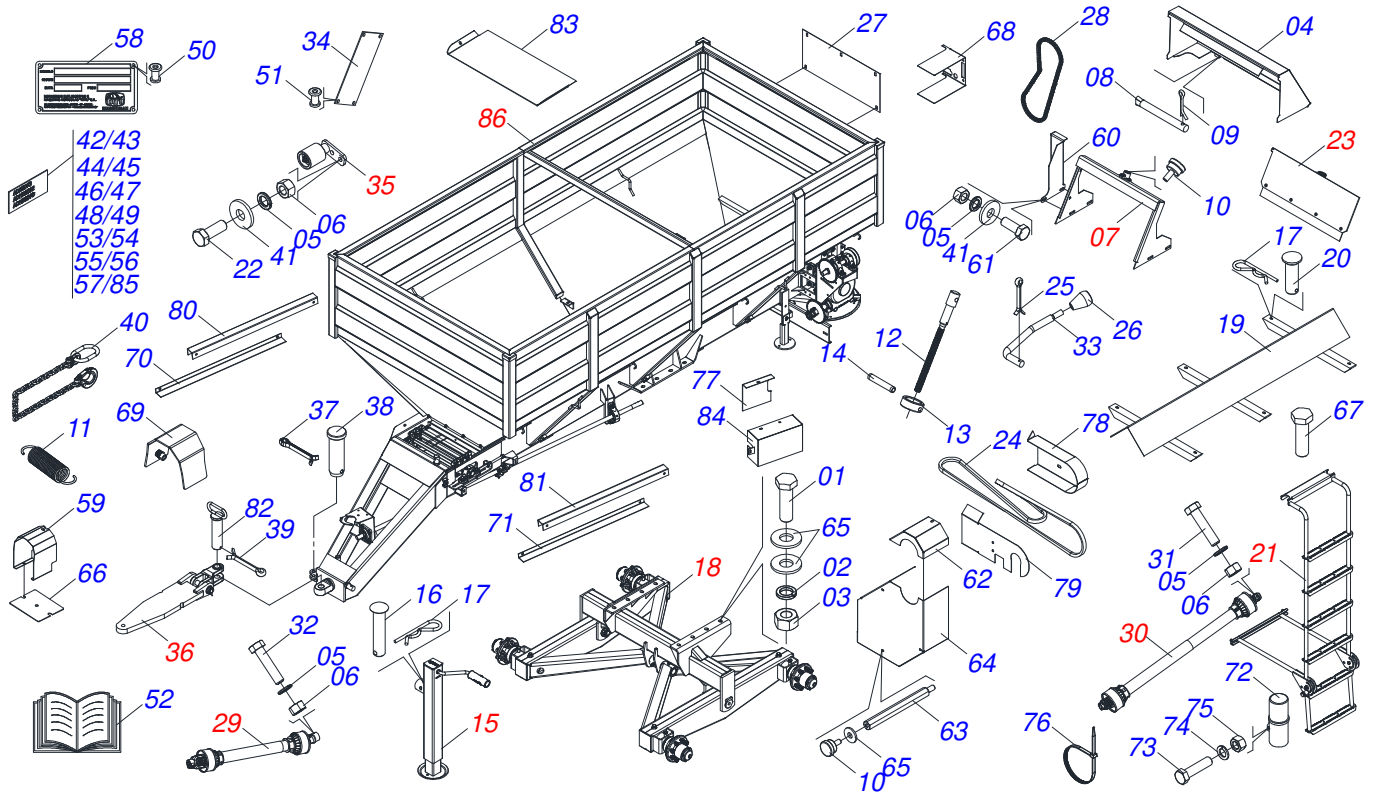


# INDEX

|            |                                      |       |    |
|------------|--------------------------------------|-------|----|
| 0909096170 | ASSY FRAME                           | ..... | 1  |
| 0511049323 | ASSY FRAME                           | ..... | 2  |
| 0501054846 | SLUICE VALVE SUPPORT                 | ..... | 3  |
| 0503062157 | HEADER JACK                          | ..... | 4  |
| 0511042281 | BELL CRANK FIXER SUPPORT             | ..... | 5  |
| 0501056347 | CARRYING WHEELS WITHOUT TIRE         | ..... | 6  |
| 0511059633 | ASSY LADDER                          | ..... | 7  |
| 0501054847 | SLUICE VALVE COVER ASSY              | ..... | 8  |
| 0511043330 | DRIVE SHAFT                          | ..... | 9  |
| 0501048200 | DRIVE SHAFT                          | ..... | 10 |
| 0501050829 | CHAIN TENSIONER                      | ..... | 11 |
| 0511059024 | ENGATE TRATOR COMPLETO               | ..... | 12 |
| 0511050758 | BUCKET                               | ..... | 13 |
| 0511059305 | REAR PROTECTION WITH MINOR PROTECTOR | ..... | 14 |
| 0501044308 | AGRICULTURAL BEARING ASSY            | ..... | 15 |
| 0501046802 | BELT TENSIONER ASSY                  | ..... | 16 |
| 0501051782 | RIGHT BEARING SUPPORT DISC           | ..... | 17 |
| 0501051783 | LEFT BEARING SUPPORT DISC            | ..... | 18 |
| 0501048000 | AGRICULTURAL BEARING                 | ..... | 19 |
| 0501051972 | DISTRIBUTOR RIGHT DISC ASSY          | ..... | 20 |
| 0501051973 | DISTRIBUTOR LEFT DISC ASSY           | ..... | 21 |
| 0511041213 | AGRICULTURAL BEARING                 | ..... | 22 |
| 0521053161 | CARDAN SUPPORT WITHOUT SPRING        | ..... | 23 |
| 0501044306 | BATH BEARING                         | ..... | 24 |
| 0531050244 | PROTECTOR DISC                       | ..... | 25 |
| 0511059223 | WHEEL WITH LEFT SIDE TIRE            | ..... | 26 |
| 0511059222 | WHEEL WITH TIRE RIGHT SIDE           | ..... | 27 |

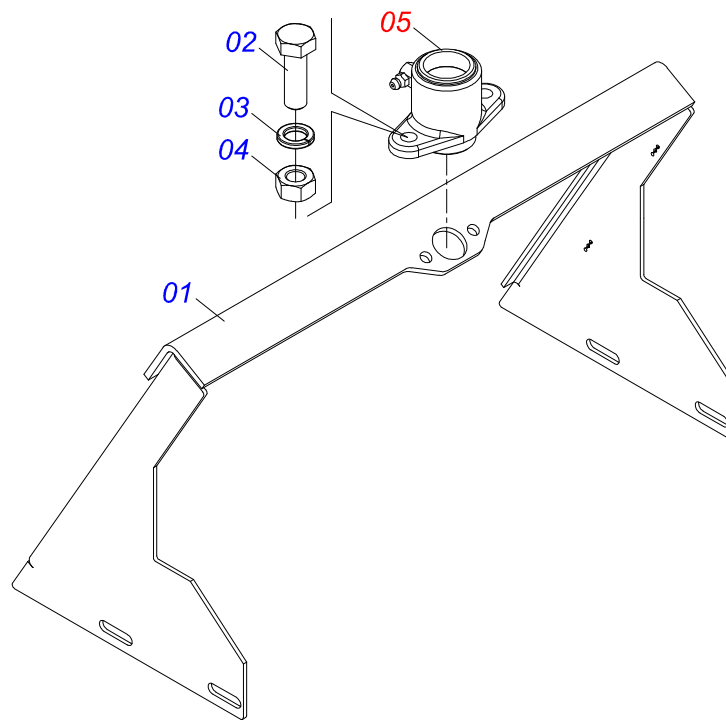


| Item | Code       | Description                | See page | QT |
|------|------------|----------------------------|----------|----|
| 01   | 0511049323 | ASSY FRAME                 | 2        | 01 |
| 02   | 0511059223 | WHEEL WITH LEFT SIDE TIRE  | 26       | 02 |
| 03   | 0511059222 | WHEEL WITH TIRE RIGHT SIDE | 27       | 02 |

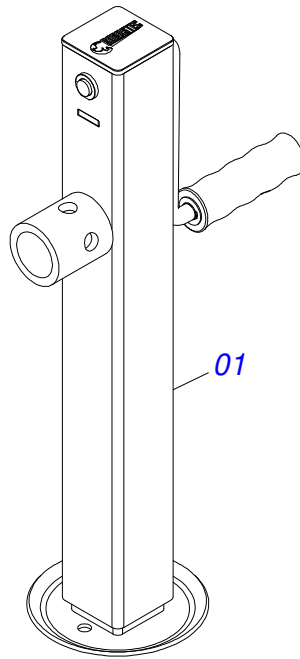


| Item | Code       | Description                         | See page | QT |
|------|------------|-------------------------------------|----------|----|
| 01   | 0501010125 | 3/4" X 2-1/2" BOLT                  |          | 08 |
| 02   | 0503010023 | 3/4" SPRING WASHER                  |          | 08 |
| 03   | 0503010014 | 3/4" NUT                            |          | 08 |
| 04   | 0501069840 | REAR COVER PROTECTION               |          | 01 |
| 05   | 0503010025 | 3/8" SPRING WASHER                  |          | 39 |
| 06   | 0503010026 | 3/8" NUT                            |          | 19 |
| 07   | 0501054846 | SLUICE VALVE SUPPORT                | 3        | 01 |
| 08   | 0501017574 | 0.3" X 2.7" AXLE                    |          | 02 |
| 09   | 0503010140 | 1/8" X 3/4" COTTERPIN               |          | 02 |
| 10   | 0503010386 | CABLE                               |          | 05 |
| 11   | 0503030198 | 0.6" X 2.4" X 0.1" EXTENSION SPRING |          | 01 |
| 12   | 0561014861 | REGULATOR                           |          | 01 |
| 13   | 0511013015 | SLEEVE                              |          | 01 |
| 14   | 0503010561 | SPRING PIN                          |          | 01 |
| 15   | 0503062157 | HEADER JACK                         | 4        | 01 |
| 16   | 0521010549 | COUPLING SHAFT                      |          | 01 |
| 17   | 0503030168 | HAIR PIN                            |          | 07 |
| 18   | 0511042281 | BELL CRANK FIXER SUPPORT            | 5        | 01 |
| 19   | 0511064692 | DEFLECTOR                           |          | 01 |
| 20   | 0521017623 | 0.5" X 1.5" COUPLING SHAFT          |          | 06 |
| 21   | 0511059633 | ASSY LADDER                         | 7        | 01 |
| 22   | 0503010237 | 3/8" X 1" BOLT                      |          | 13 |
| 23   | 0501054847 | SLUICE VALVE COVER ASSY             | 8        | 01 |
| 24   | 0503010154 | C-128 BELT                          |          | 01 |
| 25   | 0503010257 | 1/8" X 1" COTTERPIN                 |          | 01 |
| 26   | 0503030878 | LEVER CRANK                         |          | 01 |
| 27   | 0501019460 | REAR PROTECTION                     |          | 01 |
| 28   | 0503011351 | 50-1 CHAIN X 79 LINK + MENDING      |          | 01 |
| 29   | 0511043330 | DRIVE SHAFT                         | 9        | 01 |
| 30   | 0501048200 | DRIVE SHAFT                         | 10       | 01 |
| 31   | 0503011268 | 3/8" X 2-1/2" BOLT                  |          | 02 |

| Item | Code       | Description                          | See page | QT |
|------|------------|--------------------------------------|----------|----|
| 32   | 0503011141 | 3/8" X 2-3/4" BOLT                   |          | 01 |
| 33   | 0521011107 | CRANK BODY                           |          | 01 |
| 34   | 0503030751 | REGULATOR PLATE                      |          | 01 |
| 35   | 0501050829 | CHAIN TENSIONER                      | 11       | 01 |
| 36   | 0511059024 | ENGATE TRATOR COMPLETO               | 12       | 01 |
| 37   | 0503010010 | 1/4" X 2.1/2" COTTERPIN              |          | 01 |
| 38   | 0581011220 | COUPLING SHAFT                       |          | 01 |
| 39   | 0503010131 | 3/16" X 1-1/2" COTTERPIN             |          | 01 |
| 40   | 0503013150 | 1300 X 3/8 CHAIN                     |          | 01 |
| 41   | 0501010984 | FLAT WASHER                          |          | 42 |
| 42   | 0503031809 | ADHESIVE LABEL                       |          | 01 |
| 43   | 0503031818 | ADHESIVE LABEL                       |          | 01 |
| 44   | 0503031859 | ADHESIVE LABEL DANGER                |          | 01 |
| 45   | 0503031827 | LUBRICATE AND RETIGHTEN DAILY DECAL  |          | 01 |
| 46   | 0503031427 | ADHESIVE LABEL                       |          | 01 |
| 47   | 0503031428 | READ MANUAL DECAL                    |          | 01 |
| 48   | 0503033647 | APPROVED BADGE                       |          | 01 |
| 49   | 0503032949 | ADHESIVE LABEL                       |          | 01 |
| 50   | 0503010001 | 3.2 X 5.5 RIVET                      |          | 04 |
| 51   | 0503012209 | RIVET POP                            |          | 04 |
| 52   | 0511031539 | BAG WITH INSTRUCTION MANUAL          |          | 01 |
| 53   | 0503032425 | ADHESIVE LABEL ATTENTION             |          | 01 |
| 54   | 0503034142 |                                      |          | 02 |
| 55   | 0503034143 |                                      |          | 02 |
| 56   | 0503034144 |                                      |          | 04 |
| 57   | 0503034145 |                                      |          | 02 |
| 58   | 0503034004 | ALUMINUM IDENTIFICATION LABEL        |          | 01 |
| 59   | 0581017468 | PROTECTION BODY                      |          | 01 |
| 60   | 0581017492 | SIDE PROTECTION BELT                 |          | 01 |
| 61   | 0503010849 | 3/8" X 1-1/2" BOLT                   |          | 06 |
| 62   | 0581017494 | TOP PROTECTION RECAMBIO              |          | 01 |
| 63   | 0581017496 | PRISONER 3/8 UNC X 5/16 UNC X 175    |          | 03 |
| 64   | 0581017495 | CHAIN CAP                            |          | 01 |
| 65   | 0501010322 | FLAT WASHER                          |          | 16 |
| 66   | 0581017488 | LOWER PROTECTION BOARD CARDAN        |          | 01 |
| 67   | 0503011334 | BOLT 3/8 UNC X 3/4 CS G.5 ZN         |          | 14 |
| 68   | 0581017497 | COUPLING PROTECTION                  |          | 01 |
| 69   | 0521068819 | PULLEY AXLE PROTECTION               |          | 01 |
| 70   | 0581017436 | FRONT PROTECTION COVER               |          | 01 |
| 71   | 0581017434 | FRONT PROTECTION COVER               |          | 01 |
| 72   | 0503060100 | OPERATOR'S MANUAL STORAGE TUBE       |          | 01 |
| 73   | 0503010178 | 5/16" X 7/8" BOLT                    |          | 01 |
| 74   | 0503010179 | 5/16" ZN SPRING WASHER               |          | 01 |
| 75   | 0503010337 | 5/16" NUT                            |          | 01 |
| 76   | 0503010267 | NYLON CLAMP                          |          | 01 |
| 77   | 0581017441 | BACK COVER                           |          | 01 |
| 78   | 0581017500 | REAR LATERAL PROTECTION BELT         |          | 01 |
| 79   | 0521068820 | REAR LATERAL PROTECTION BELT         |          | 01 |
| 80   | 0521068788 |                                      |          | 01 |
| 81   | 0521068789 |                                      |          | 01 |
| 82   | 0511066176 | HITCH PIN                            |          | 01 |
| 83   | 0581017442 | FRONT PROTECTION                     |          | 01 |
| 84   | 0521068790 | BEARING PROTECTION                   |          | 01 |
| 85   | 0503035157 | ADHESIVE LABEL DISTRIBUTOR LIMESTONE |          | 01 |
| 86   | 0511050758 | BUCKET                               | 13       | 01 |

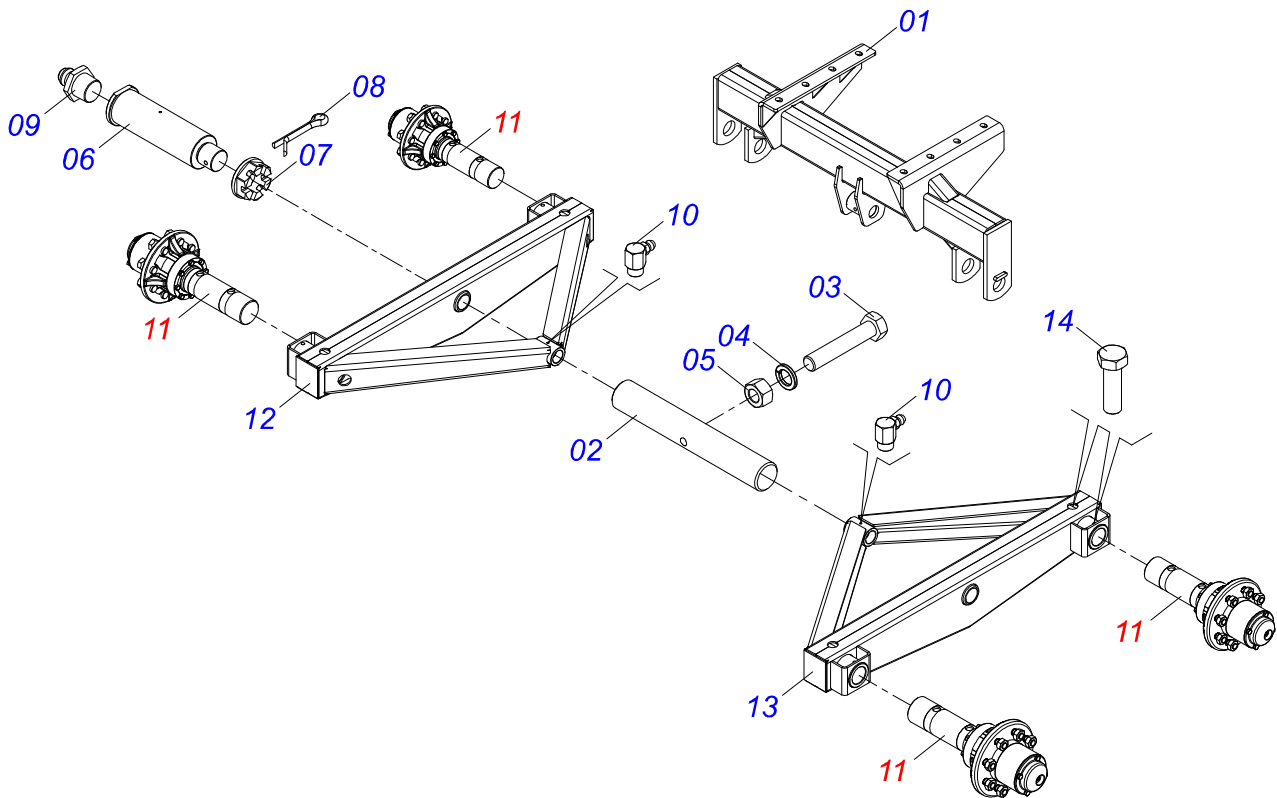


| Item | Code       | Description            | See page | QT |
|------|------------|------------------------|----------|----|
| 01   | 0501069841 | SLUICE VALVE SUPPORT   |          | 01 |
| 02   | 0503010371 | 5/16" X 1" BOLT        |          | 02 |
| 03   | 0503011444 | SPRING WASHER          |          | 02 |
| 04   | 0503010337 | 5/16" NUT              |          | 02 |
| 05   | 0511059094 | SHAFT BEARING THREADED |          | 01 |

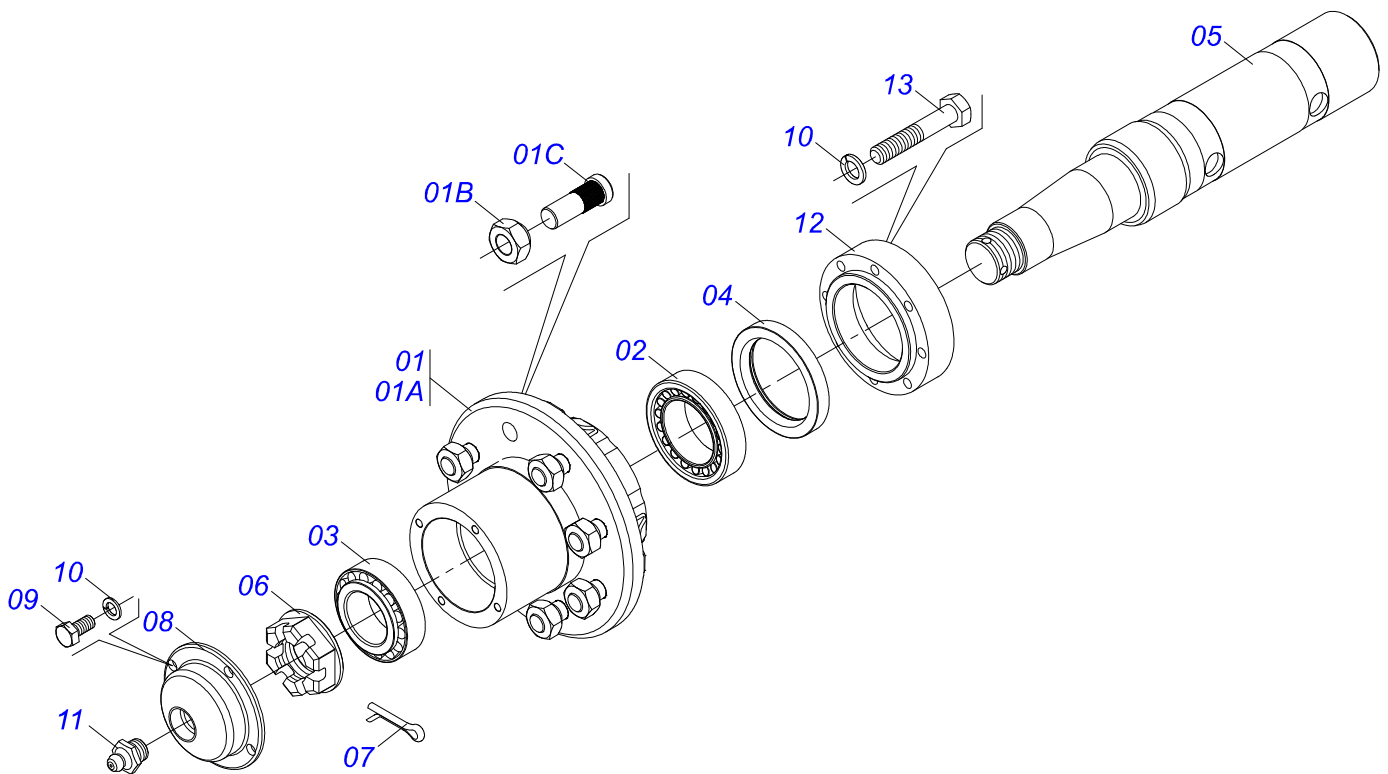


| Item | Code       | Description | See page | QT |
|------|------------|-------------|----------|----|
| 01   | 0503062157 | HEADER JACK | 4        | 01 |

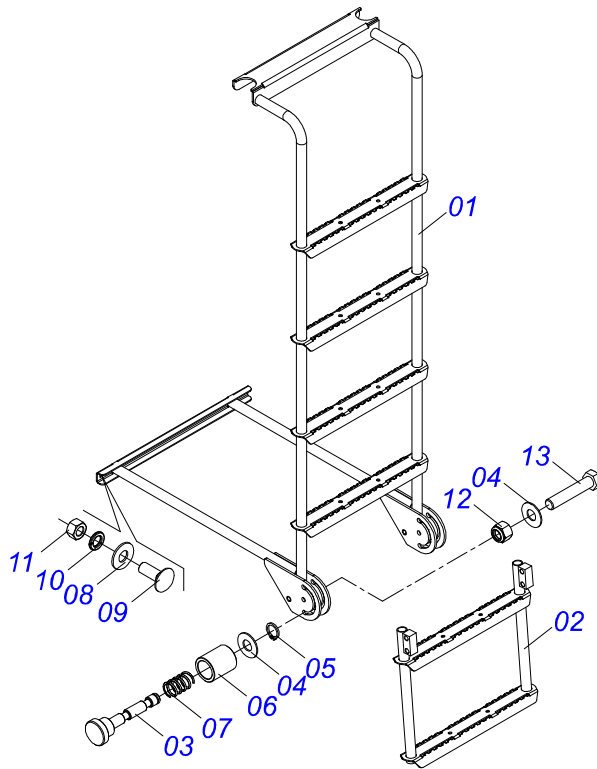




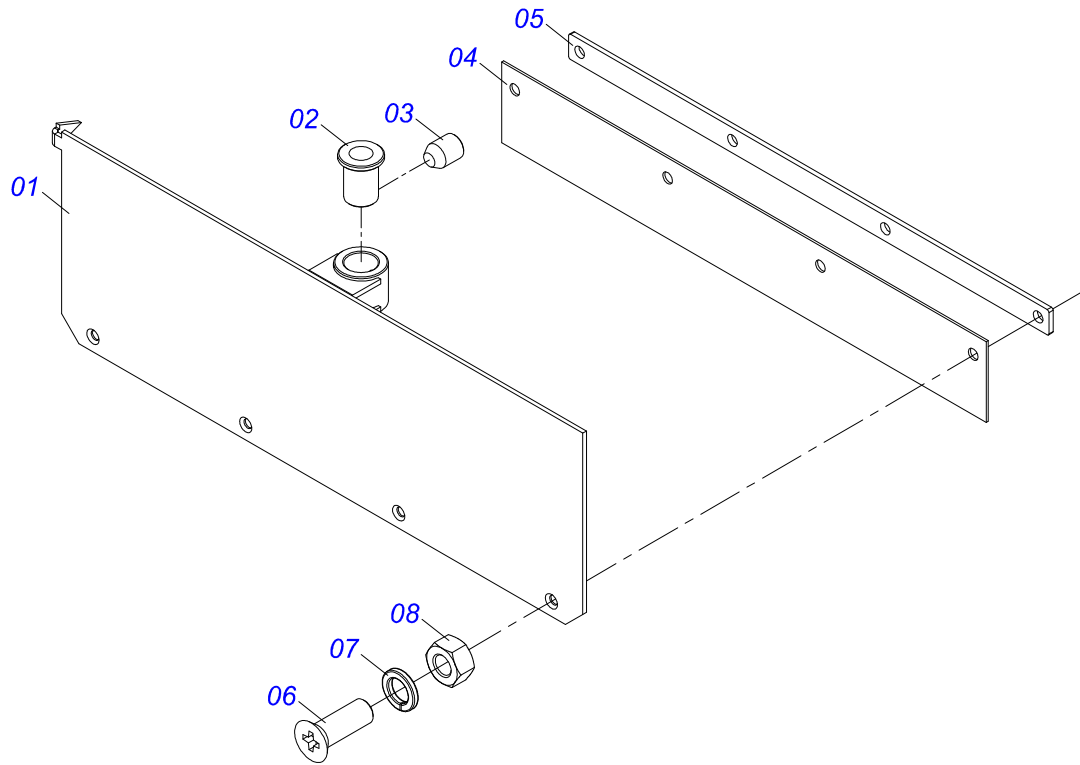
| Item | Code       | Description                  | See page | QT |
|------|------------|------------------------------|----------|----|
| 01   | 0511065192 | BEEEL CRANK FIXER SUPPORT    |          | 01 |
| 02   | 0531016579 | CENTRAL AXLE                 |          | 01 |
| 03   | 0503010547 | 1/2" X 4" BOLT               |          | 01 |
| 04   | 0503011440 | SPRING WASHER                |          | 01 |
| 05   | 0503010060 | 1/2" NUT                     |          | 01 |
| 06   | 0521069954 | COUPLING SHAFT 60,10 X 183   |          | 02 |
| 07   | 0501011301 | 1.1/2 UNC 6FPP 2.5/16 NUT    |          | 02 |
| 08   | 0503010010 | 1/4" X 2.1/2" COTTERPIN      |          | 02 |
| 09   | 0503010002 | 1800 GREASE FITTING          |          | 02 |
| 10   | 0503010004 | 1890 GREASE FITTING          |          | 02 |
| 11   | 0501056347 | CARRYING WHEELS WITHOUT TIRE | 6        | 04 |
| 12   | 0511066146 | LEFT ROCKER ARM              |          | 01 |
| 13   | 0511066145 | RIGHT ROCKER ARM             |          | 01 |
| 14   | 0501810100 | BOLT 5/8 UNC X 2             |          | 08 |



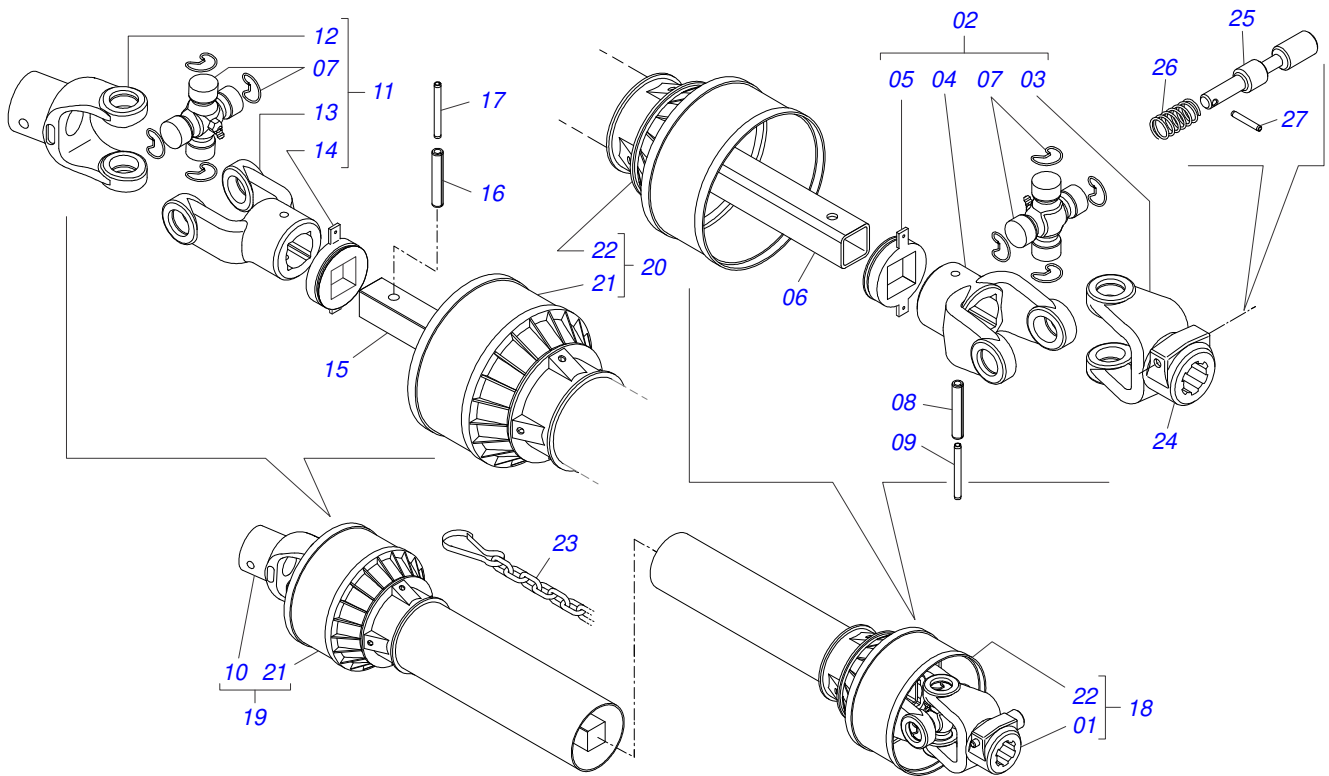
| Item | Code       | Description                    | See page | QT |
|------|------------|--------------------------------|----------|----|
| 01   | 0501110763 | CARRYING WHEEL HUB             |          | 01 |
| 01A  | 0502012318 | CARRYING WHEEL HUB             |          | 01 |
| 01B  | 0503010064 | 5/8 UNF CONIC NUT              |          | 08 |
| 01C  | 0501011052 | 5/8" X 1-3/4" BOLT             |          | 08 |
| 02   | 0503013453 | SKF 33011 ROLLER BEARING       |          | 01 |
| 03   | 0503013454 | SKF 33109 ROLLER BEARING       |          | 01 |
| 04   | 0503010086 | SEAL 0009B-B                   |          | 01 |
| 05   | 0541015586 | WHEEL AXLE                     |          | 01 |
| 06   | 0501010630 | 1.1/2" CASTLE NUT              |          | 01 |
| 07   | 0503010523 | 1/4" X 2" COTTERPIN            |          | 01 |
| 08   | 0502020592 | COVER                          |          | 01 |
| 09   | 0503010295 | SCREW 5/16 UNC X 5/8 CS G.2 ZN |          | 04 |
| 10   | 0503011444 | SPRING WASHER                  |          | 12 |
| 11   | 0503010002 | 1800 GREASE FITTING            |          | 01 |
| 12   | 0502012175 | SEAL FLANGE                    |          | 01 |
| 13   | 0503010397 | 5/16" X 1-3/4" BOLT            |          | 08 |



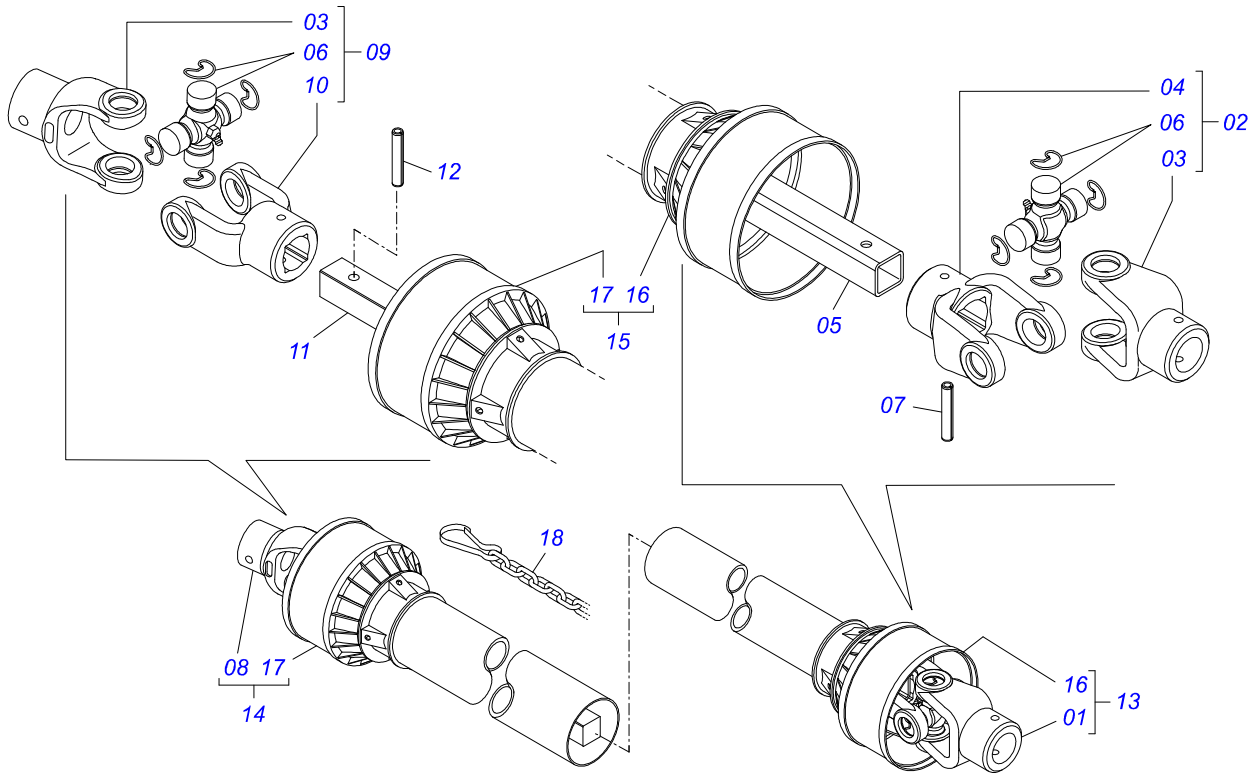
| Item | Code       | Description                         | See page | QT |
|------|------------|-------------------------------------|----------|----|
| 01   | 0521067154 | LADDER                              |          | 01 |
| 02   | 0521067130 | LADDER EXTENDER                     |          | 01 |
| 03   | 0571019930 | EXTENSION LOCK AXLE                 |          | 01 |
| 04   | 0501013519 | FLAT WASHER                         |          | 03 |
| 05   | 0503010291 | 501012 CLAMPING RING (FOR AXLE)     |          | 01 |
| 06   | 0571019931 | GUIDE GLOVE                         |          | 01 |
| 07   | 0503032035 | 0.7" X 1.2" X 1" COMPRESSION SPRING |          | 01 |
| 08   | 0501013518 | FLAT WASHER                         |          | 02 |
| 09   | 0501011643 | 3/8 X 1" BOLT                       |          | 02 |
| 10   | 0503010025 | 3/8" SPRING WASHER                  |          | 02 |
| 11   | 0503010026 | 3/8" NUT                            |          | 02 |
| 12   | 0503010589 | 1/2" UNC SELF ADJUSTING NUT         |          | 02 |
| 13   | 0503010734 | 1/2" X 2-1/2" BOLT                  |          | 02 |



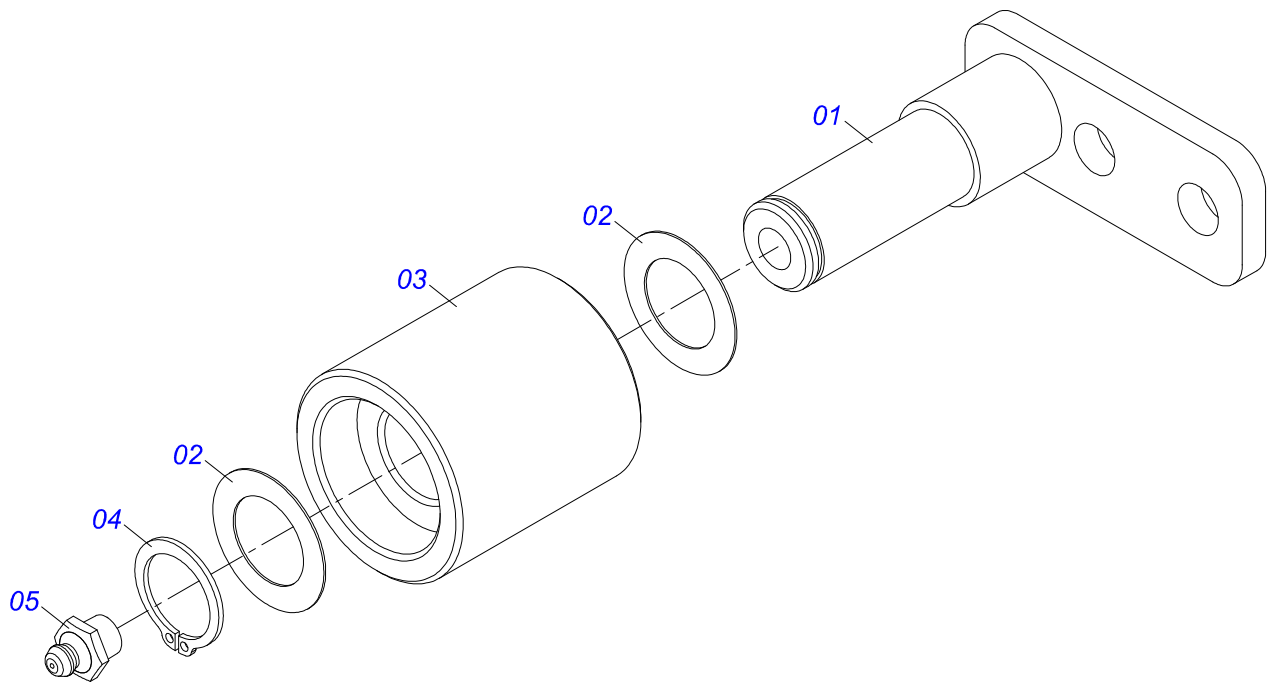
| Item | Code       | Description        | See page | QT |
|------|------------|--------------------|----------|----|
| 01   | 0501069181 | SLUICE VALVE COVER |          | 01 |
| 02   | 0501019831 | ADJUSTING NUT      |          | 01 |
| 03   | 0503011148 | 3/8" X 1/2" BOLT   |          | 01 |
| 04   | 0511014562 | PROTECTION SMALLER |          | 01 |
| 05   | 0511016575 | RUBBER COVER FIXER |          | 01 |
| 06   | 0503010546 | 5/16" X 7/8" BOLT  |          | 04 |
| 07   | 0503011444 | SPRING WASHER      |          | 04 |
| 08   | 0503010337 | 5/16" NUT          |          | 04 |



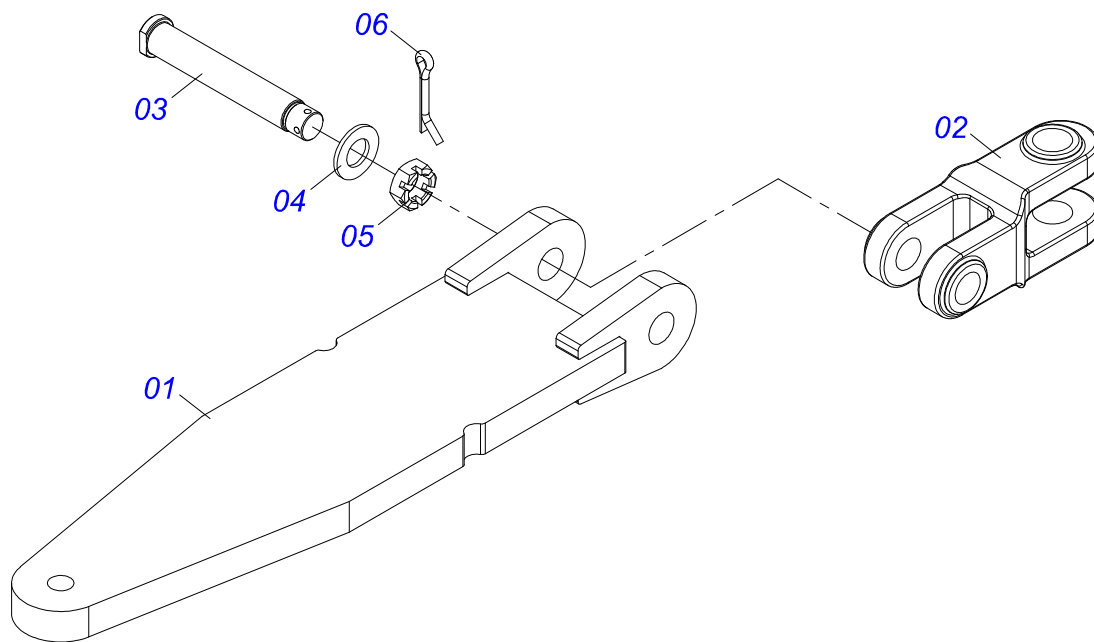
| Item | Code       | Description                        | See page | QT |
|------|------------|------------------------------------|----------|----|
| 01   | 0501056756 | UNIVERSAL JOINT                    | 01       |    |
| 02   | 0501050265 | UNIVERSAL JOINT                    | 01       |    |
| 03   | 0502010563 | 1-40 STRIATED 1.3/8" TERMINAL      | 01       |    |
| 04   | 0502010563 | 1-40 STRIATED 1.3/8" TERMINAL      | 01       |    |
| 05   | 0503012069 | ADAPTER FOR BUSHING PROTECT        | 01       |    |
| 06   | 0501017427 | 20" X 1.5" SQUARE SLEEVE           | 01       |    |
| 07   | 0503010836 | CARDAN CROSSPIECE                  | 01       |    |
| 08   | 0503011069 | 0.4" X 2.8" SPRING PIN             | 01       |    |
| 09   | 0503010510 | 0.2" X 2.6" SPRING PIN             | 01       |    |
| 10   | 0501056755 | UNIVERSAL JOINT                    | 01       |    |
| 11   | 0501052178 | UNIVERSAL JOINT                    | 01       |    |
| 12   | 0502011611 | 9-40 TERMINAL                      | 01       |    |
| 13   | 0502010566 | 3-40 TERMINAL WITH SH 1.2"/1.2"    | 01       |    |
| 14   | 0503012070 | ADAPTER FOR AXLE PROTECTION        | 01       |    |
| 15   | 0501017423 | 1.2" X 19.6" SQUARE SHAFT          | 01       |    |
| 16   | 0503010361 | SPRING PIN                         | 01       |    |
| 17   | 0503010756 | 0.2" X 2.4" SPRING PIN             | 01       |    |
| 18   | 0501052179 | PROT/SLEEVE UNIVERSAL JOINT        | 01       |    |
| 19   | 0501052180 | PROT/AXLE UNIVERSAL JOINT          | 01       |    |
| 20   | 0503012277 | PROTECTION ASSY                    | 01       |    |
| 21   | 0503012278 | PROTECTION FOR UNIV JOINT SLEEVE   | 01       |    |
| 22   | 0503012279 | PROTECTION FOR UNIV JOINT AND AXLE | 01       |    |
| 23   | 0503012023 | CHAIN FOR PROTECTION               | 02       |    |
| 24   | 0502010563 | 1-40 STRIATED 1.3/8" TERMINAL      | 01       |    |
| 25   | 0521010638 | 0.5" X 3.3" QUIC HITCH COUPL SHAFT | 01       |    |
| 26   | 0503030518 | 0.5"X1.0"X 0.1" COMPRESSION SPRING | 01       |    |
| 27   | 0503010838 | 0.1" X 0.8" SPRING PIN             | 01       |    |



| Item | Code       | Description                        | See page | QT |
|------|------------|------------------------------------|----------|----|
| 01   | 0501052171 | SLEEVE UNIVERSAL JOINT             |          | 01 |
| 02   | 0501051718 | UNIVERSAL JOINT                    |          | 01 |
| 03   | 0502010558 | 4-20 TERMINAL WITH ROLES           |          | 02 |
| 04   | 0502011426 | 2-20 TERMINAL                      |          | 01 |
| 05   | 0521013799 | 0.9" X 47" SQUARE SLEEVE           |          | 01 |
| 06   | 0503010835 | CARDAN CROSSPICE                   |          | 02 |
| 07   | 0503010839 | 03"X 0.6" SPRING PIN               |          | 01 |
| 08   | 0501052172 | AXLE UNIVERSAL JOINT               |          | 01 |
| 09   | 0501051720 | UNIVERSAL JOINT                    |          | 01 |
| 10   | 0502011427 | 3-20 TERMINAL                      |          | 01 |
| 11   | 0521013796 | 0.9" X 47" SQUARE SHAFT            |          | 01 |
| 12   | 0503010301 | 0.3" X 1.8" SPRING PIN             |          | 01 |
| 13   | 0501052170 | PROT/SLEEVE UNIVERSAL JOINT        |          | 01 |
| 14   | 0501052173 | PROT/AXLE UNIVERSAL JOINT          |          | 01 |
| 15   | 0503012274 | PROTECTION ASSY                    |          | 01 |
| 16   | 0503012275 | PROTECTION FOR UNIV JOINT SLEEVE   |          | 01 |
| 17   | 0503012276 | PROTECTION FOR UNIV JOINT AND AXLE |          | 01 |
| 18   | 0503012023 | CHAIN FOR PROTECTION               |          | 02 |

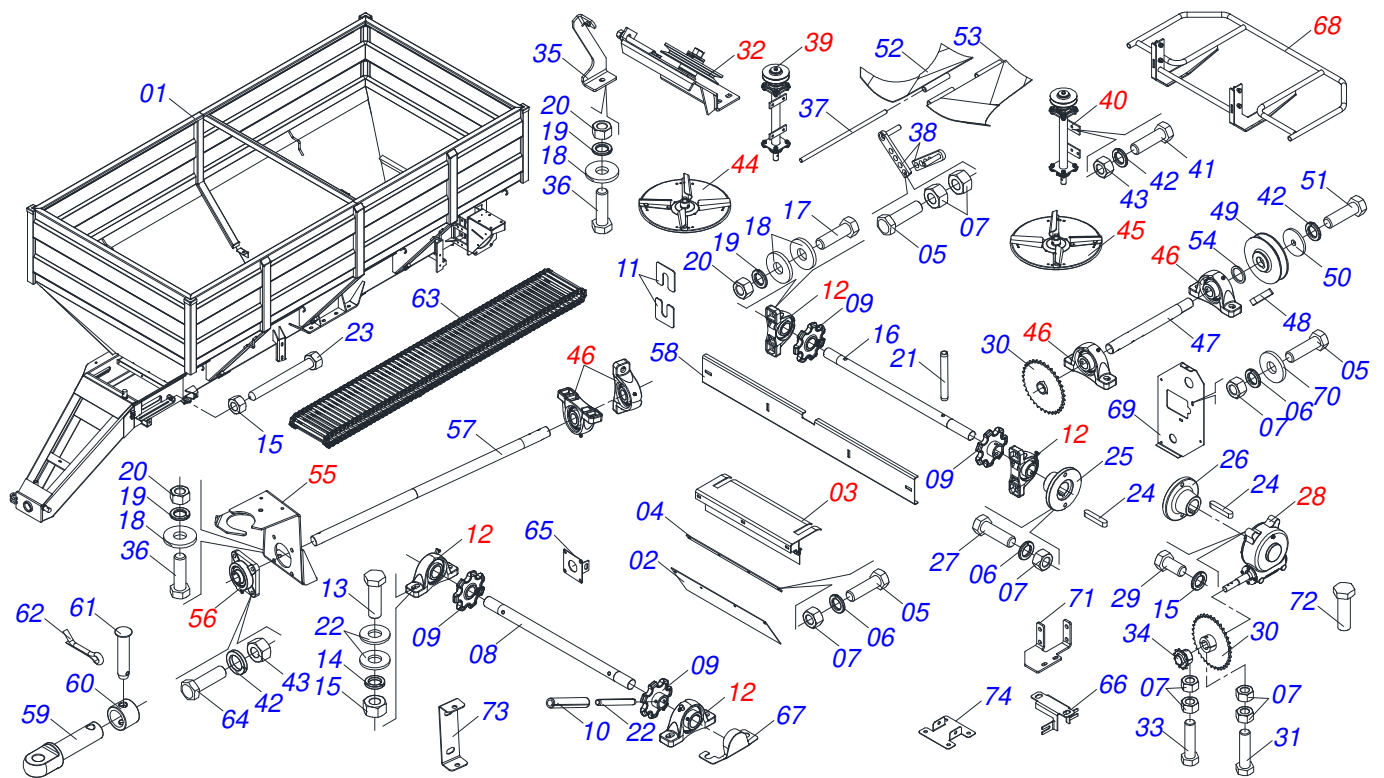


| Item | Code       | Description         | See page | QT |
|------|------------|---------------------|----------|----|
| 01   | 0501067692 | BELT TENSIONER BODY |          | 01 |
| 02   | 0511015098 | FLAT WASHER         |          | 02 |
| 03   | 0511017041 | TENSIONER ROLD      |          | 01 |
| 04   | 0503010302 | 501019 SEAL RING    |          | 01 |
| 05   | 0503010002 | 1800 GREASE FITTING |          | 01 |



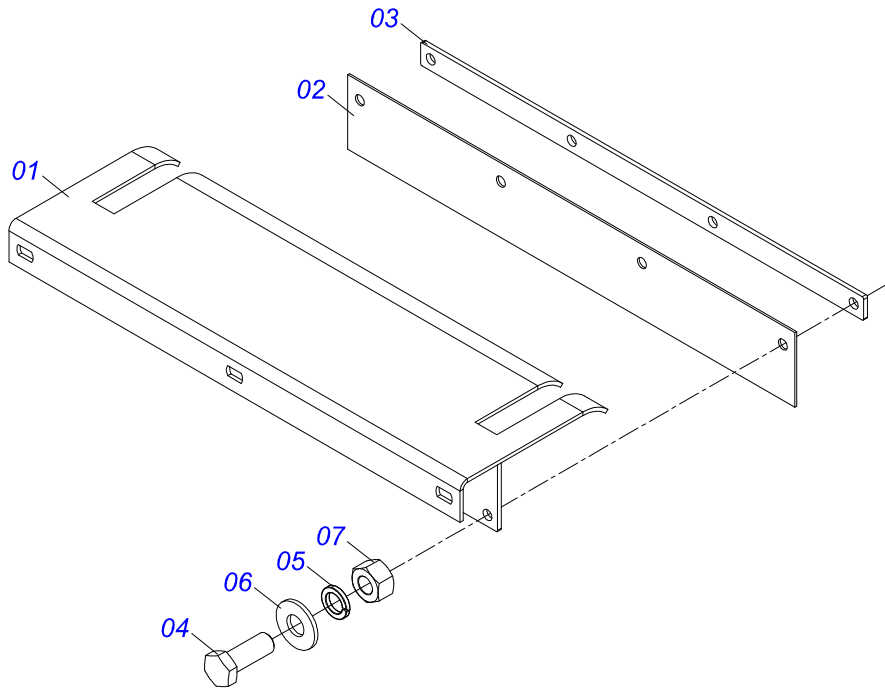
| Item | Code       | Description                | See page | QT |
|------|------------|----------------------------|----------|----|
| 01   | 0511066154 | SEMI COUPLING              |          | 01 |
| 02   | 1902040330 | TRACTOR HITCH              |          | 01 |
| 03   | 0541014957 | PIN DRAG                   |          | 01 |
| 04   | 0501017779 | 32 X 60 X 4.75 FLAT WASHER |          | 01 |
| 05   | 0503011052 | 1.1/4" X 0.77" CASTLE NUT  |          | 01 |
| 06   | 0503010010 | 1/4" X 2.1/2" COTTERPIN    |          | 01 |



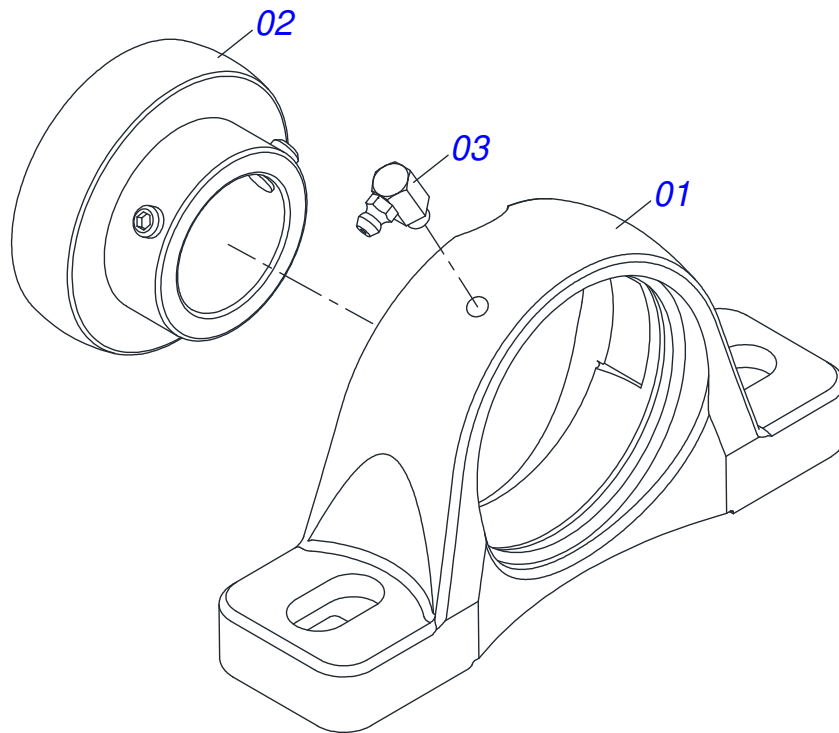


| Item | Code       | Description                          | See page | QT |
|------|------------|--------------------------------------|----------|----|
| 01   | 0521062224 | FRAME                                |          | 01 |
| 02   | 0511011866 | PROTECTION LARGER                    |          | 01 |
| 03   | 0511059305 | REAR PROTECTION WITH MINOR PROTECTOR | 14       | 01 |
| 04   | 0511016575 | RUBBER COVER FIXER                   |          | 01 |
| 05   | 0503010237 | 3/8" X 1" BOLT                       |          | 06 |
| 06   | 0503011443 | 3/8" SPRING WASHER                   |          | 10 |
| 07   | 0503010026 | 3/8" NUT                             |          | 18 |
| 08   | 0511016482 | DRIVEN AXLE                          |          | 01 |
| 09   | 0502040728 | 7Z GEAR                              |          | 04 |
| 10   | 0503010361 | SPRING PIN                           |          | 06 |
| 11   | 0501010794 | HIDR CHOCK REGULATOR                 |          | 04 |
| 12   | 0501044308 | AGRICULTURAL BEARING ASSY            | 15       | 04 |
| 13   | 0503010233 | 5/8" X 2-1/2" BOLT                   |          | 04 |
| 14   | 0503011445 | SPRING WASHER                        |          | 08 |
| 15   | 0503010013 | 5/8" NUT                             |          | 06 |
| 16   | 0511016481 | MOTOR SHAFT                          |          | 01 |
| 17   | 0503010740 | BOLT 1/2 UNC X 2 CS G.5 ZN           |          | 12 |
| 18   | 0511017302 | FLAT WASHER                          |          | 27 |
| 19   | 0503011440 | SPRING WASHER                        |          | 21 |
| 20   | 0503010060 | 1/2" NUT                             |          | 21 |
| 21   | 0503010756 | 0.2" X 2.4" SPRING PIN               |          | 04 |
| 22   | 0501012140 | FLAT WASHER                          |          | 08 |
| 23   | 0501067853 | ROD STABILIZER                       |          | 02 |
| 24   | 0501010540 | KEYWAY SQUARE                        |          | 02 |
| 25   | 0511016540 | MAT COUPLING FLANGE                  |          | 01 |
| 26   | 0511016541 | REDUCTION COUPLING FLANGE            |          | 01 |
| 27   | 0503010849 | 3/8" X 1-1/2" BOLT                   |          | 03 |
| 28   | 0501047985 | REDUCER                              |          | 01 |
| 29   | 0503011167 | M16 X 2 X 30 BOLT                    |          | 04 |
| 30   | 0501069020 | 35Z GEAR                             |          | 02 |
| 31   | 0503011141 | 3/8" X 2-3/4" BOLT                   |          | 02 |

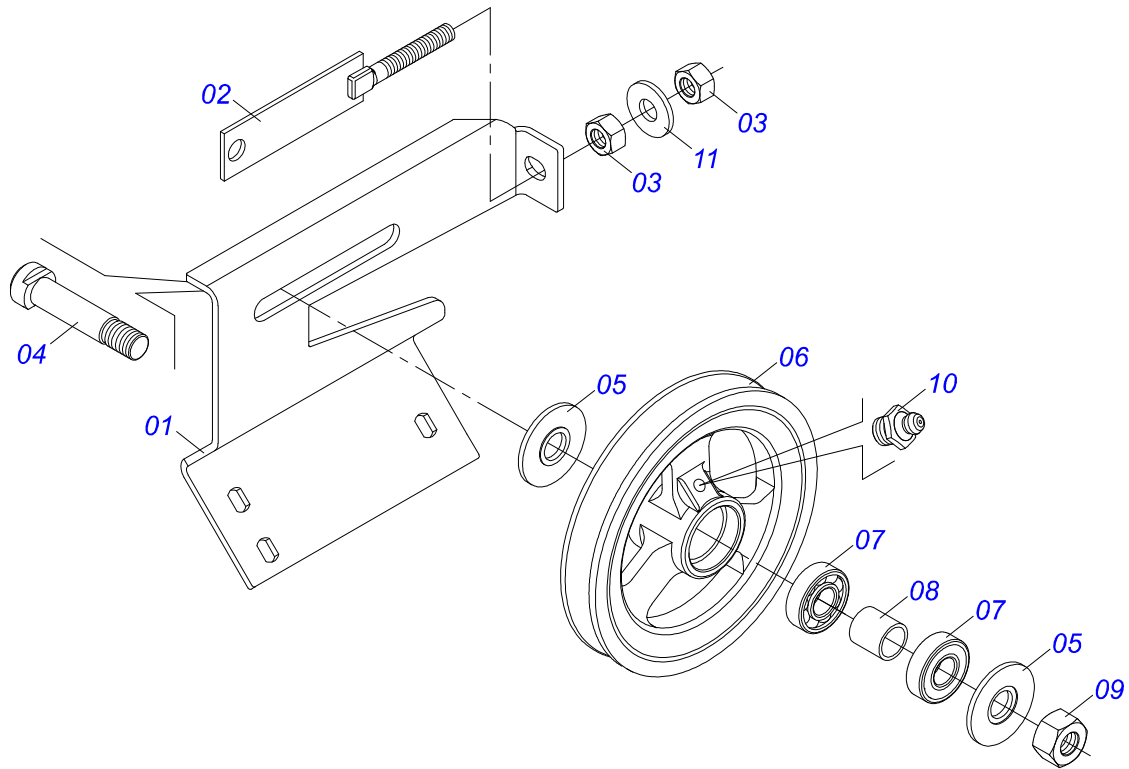
| Item | Code       | Description                          | See page | QT |
|------|------------|--------------------------------------|----------|----|
| 32   | 0501046802 | BELT TENSIONER ASSY                  | 16       | 01 |
| 33   | 0503011268 | 3/8" X 2-1/2" BOLT                   |          | 01 |
| 34   | 0501069017 | 12Z GEAR                             |          | 01 |
| 35   | 0511060909 | PROTECTION REAR SUPPORT FIXER        |          | 01 |
| 36   | 0503010920 | 1/2" X 1.1/2" BOLT                   |          | 09 |
| 37   | 0511016530 | TENSIONER OPEN                       |          | 01 |
| 38   | 0501067368 | DIVISOR REGULATOR OPEN               |          | 02 |
| 39   | 0501051782 | RIGHT BEARING SUPPORT DISC           | 17       | 01 |
| 40   | 0501051783 | LEFT BEARING SUPPORT DISC            | 18       | 01 |
| 41   | 0503011102 | BOLT 7/16 UNC X 1.1/4 C S G.5 ZN     |          | 08 |
| 42   | 0503011446 | SPRING WASHER                        |          | 13 |
| 43   | 0503010244 | 7/16" NUT                            |          | 12 |
| 44   | 0501051972 | DISTRIBUTOR RIGHT DISC ASSY          | 20       | 01 |
| 45   | 0501051973 | DISTRIBUTOR LEFT DISC ASSY           | 21       | 01 |
| 46   | 0511041213 | AGRICULTURAL BEARING                 | 22       | 04 |
| 47   | 0521011063 | TRANSMISSION AXLE                    |          | 01 |
| 48   | 0501010536 | KEYWAY SQUARE                        |          | 01 |
| 49   | 0502012936 | 1 C X 219 X 30 PULLEY                |          | 01 |
| 50   | 0511014052 | FLAT WASHER                          |          | 01 |
| 51   | 0503010355 | 7/16" X 1" BOLT                      |          | 01 |
| 52   | 0501067203 | RIGHT FLOW DIVIDING                  |          | 01 |
| 53   | 0501067361 | LEFT FLOW DIVIDING                   |          | 01 |
| 54   | 0511016579 | WASHER                               |          | 01 |
| 55   | 0521053161 | CARDAN SUPPORT WITHOUT SPRING        | 23       | 01 |
| 56   | 0501044306 | BATH BEARING                         | 24       | 01 |
| 57   | 0541014889 | TRANSMISSION AXLE                    |          | 01 |
| 58   | 0531061809 | FENDER CLAMP                         |          | 01 |
| 59   | 1902040223 | PIN HITCH                            |          | 01 |
| 60   | 1902040327 | LOCK SLEEVE                          |          | 01 |
| 61   | 0521010579 | COUPLING SHAFT                       |          | 01 |
| 62   | 0503010571 | 1/4" X 1.1/2 COTTERPIN               |          | 01 |
| 63   | 0511064673 | DRIVE THE FERTILIZER TRANSPORT       |          | 01 |
| 64   | 0503011135 | BOLT                                 |          | 04 |
| 65   | 0521068825 | SUPPORT AXLE PROTECTION              |          | 01 |
| 66   | 0581017505 | INTERMEDIARY SUPPORT AXLE PROTECTION |          | 01 |
| 67   | 0521068822 | BEARING PROTECTION                   |          | 02 |
| 68   | 0531050244 | PROTECTOR DISC                       | 25       | 01 |
| 69   | 0521068823 | COVER PROTECTION                     |          | 01 |
| 70   | 0501010984 | FLAT WASHER                          |          | 04 |
| 71   | 0521068821 | SUPPORT BELT PROTECTION              |          | 01 |
| 72   | 0503010751 | C3/8" X 1.1/4" HEX BOLT G.5          |          | 02 |
| 73   | 0581017504 | BEARING PROTECTION SUPPORT           |          | 01 |
| 74   | 0591016132 | FIXER BODY PROTECTION COVER          |          | 01 |



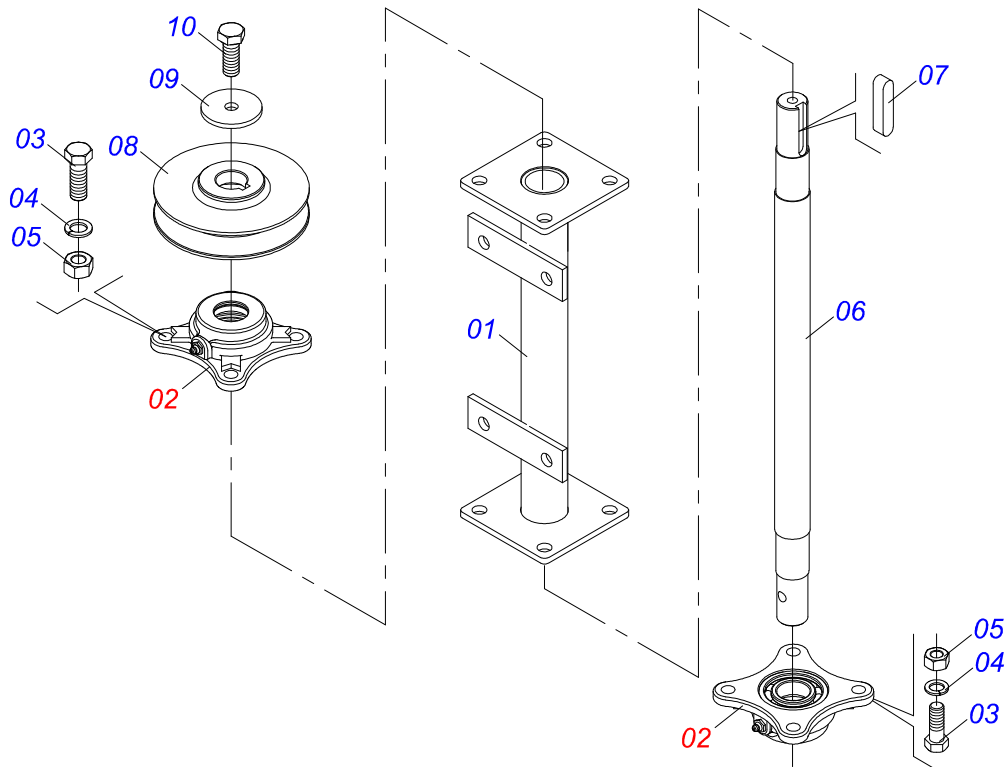
| Item | Code       | Description         | See page | QT |
|------|------------|---------------------|----------|----|
| 01   | 0501067379 | MAT REAR PROTECTION |          | 01 |
| 02   | 0511014562 | PROTECTION SMALLER  |          | 01 |
| 03   | 0511016575 | RUBBER COVER FIXER  |          | 01 |
| 04   | 0503010237 | 3/8" X 1" BOLT      |          | 04 |
| 05   | 0503011443 | 3/8" SPRING WASHER  |          | 04 |
| 06   | 0501010984 | FLAT WASHER         |          | 04 |
| 07   | 0503010026 | 3/8" NUT            |          | 04 |



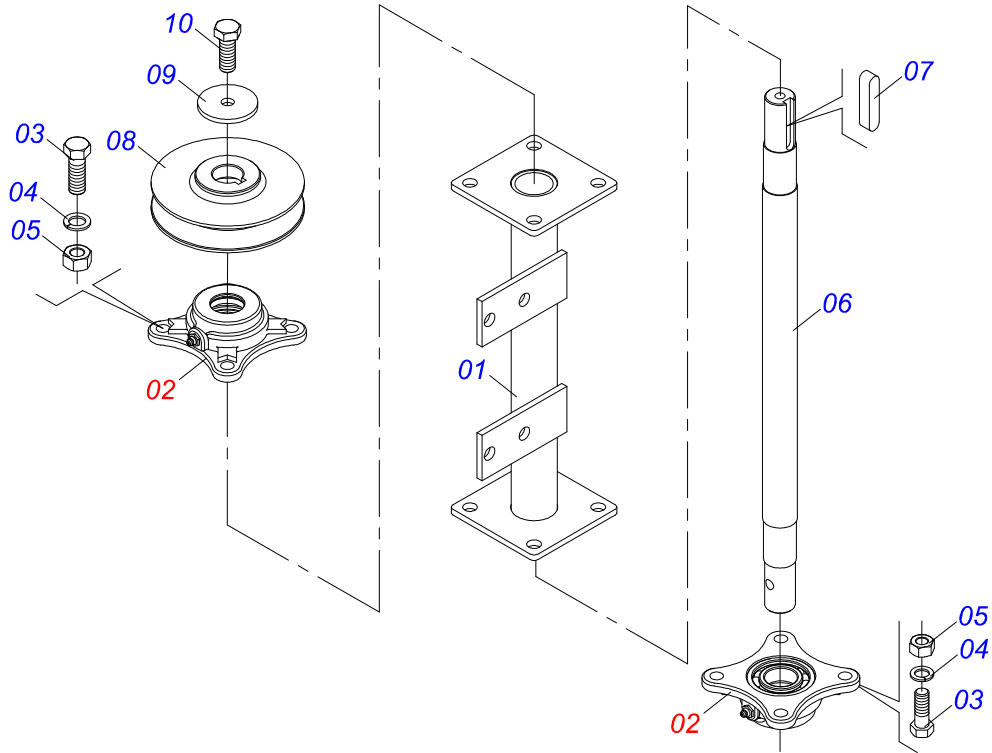
| Item | Code       | Description                  | See page | QT |
|------|------------|------------------------------|----------|----|
| 01   | 0502011050 | AGRICULTURAL HOUSING BEARING |          | 01 |
| 02   | 0503011163 | 1108/UCR BEARING ASSY        |          | 01 |
| 03   | 0503010004 | 1890 GREASE FITTING          |          | 01 |



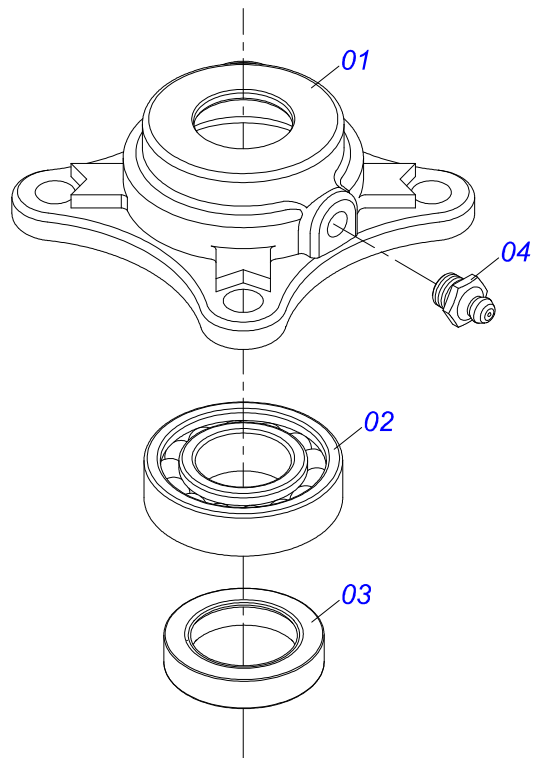
| Item | Code       | Description                | See page | QT |
|------|------------|----------------------------|----------|----|
| 01   | 0501066100 | SUPPORT                    |          | 01 |
| 02   | 0501065968 | 1C X 8.3 PULLEY TENSIONER  |          | 01 |
| 03   | 0503010013 | 5/8" NUT                   |          | 02 |
| 04   | 0511012362 | TIGHTENER AXLE PULLEY      |          | 01 |
| 05   | 0501019288 | WASHER SPACER              |          | 02 |
| 06   | 0502011366 | REEL 1C 8.3" X 1.6" PULLEY |          | 01 |
| 07   | 0503010690 | 6204 BALL BEARING          |          | 02 |
| 08   | 0521010497 | 0.8" X 1.1" X 1.1" SPACER  |          | 01 |
| 09   | 0503010014 | 3/4" NUT                   |          | 01 |
| 10   | 0503010002 | 1800 GREASE FITTING        |          | 01 |
| 11   | 0501012140 | FLAT WASHER                |          | 01 |



| Item | Code       | Description                      | See page | QT |
|------|------------|----------------------------------|----------|----|
| 01   | 0501067387 | DISTRIBUTOR RIGHT SUPPORT DISC   |          | 01 |
| 02   | 0501048000 | AGRICULTURAL BEARING             | 19       | 02 |
| 03   | 0503011102 | BOLT 7/16 UNC X 1.1/4 C S G.5 ZN |          | 08 |
| 04   | 0503011446 | SPRING WASHER                    |          | 08 |
| 05   | 0503010244 | 7/16" NUT                        |          | 08 |
| 06   | 0511016489 | DISTRIBUTOR AXLE CONDUCTOR DISC  |          | 01 |
| 07   | 0501010536 | KEYWAY SQUARE                    |          | 01 |
| 08   | 0502011361 | REEL 1C 5.5" X 1.1" PULLEY       |          | 01 |
| 09   | 0511014052 | FLAT WASHER                      |          | 01 |
| 10   | 0503010355 | 7/16" X 1" BOLT                  |          | 01 |

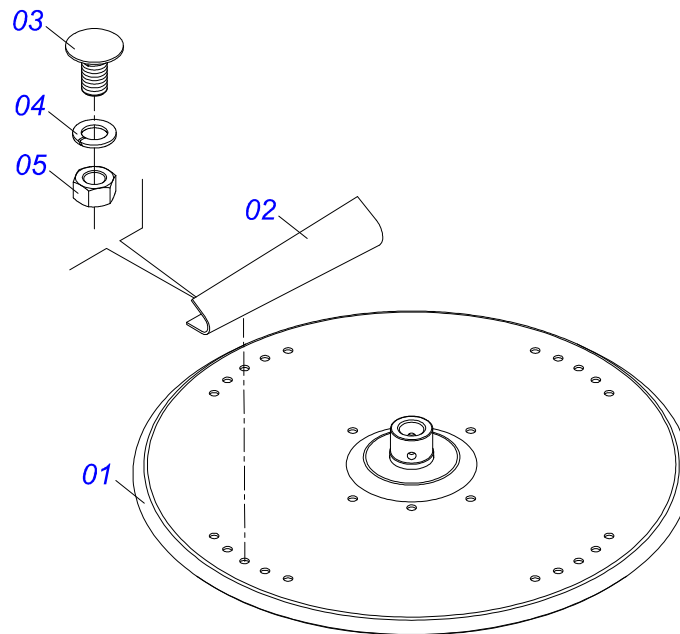


| Item | Code       | Description                      | See page | QT |
|------|------------|----------------------------------|----------|----|
| 01   | 0501067388 | DISTRIBUTOR LEFT SUPPORT DISC    |          | 01 |
| 02   | 0501048000 | AGRICULTURAL BEARING             | 19       | 02 |
| 03   | 0503011102 | BOLT 7/16 UNC X 1.1/4 C S G.5 ZN |          | 08 |
| 04   | 0503011446 | SPRING WASHER                    |          | 08 |
| 05   | 0503010244 | 7/16" NUT                        |          | 08 |
| 06   | 0511016489 | DISTRIBUTOR AXLE CONDUCTOR DISC  |          | 01 |
| 07   | 0501010536 | KEYWAY SQUARE                    |          | 01 |
| 08   | 0502011361 | REEL 1C 5.5" X 1.1" PULLEY       |          | 01 |
| 09   | 0511014052 | FLAT WASHER                      |          | 01 |
| 10   | 0503010355 | 7/16" X 1" BOLT                  |          | 01 |

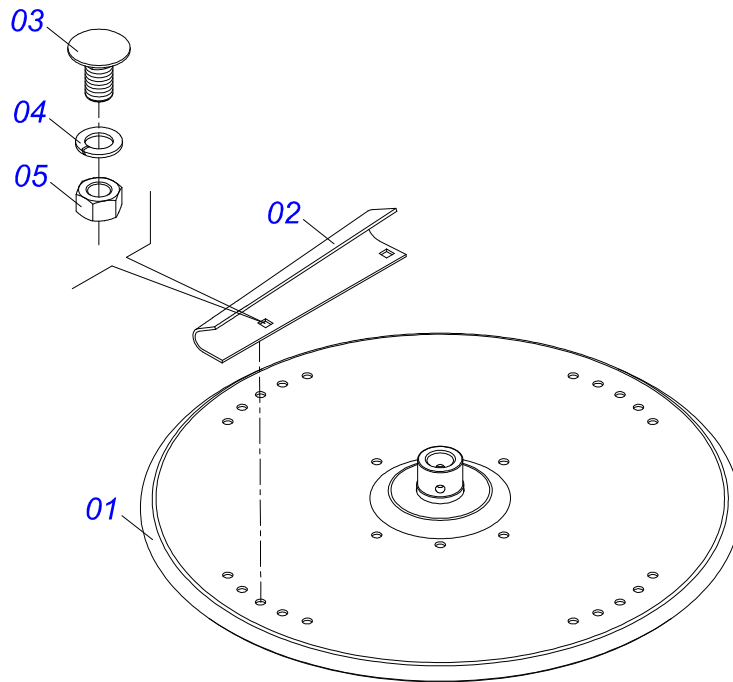


| Item | Code       | Description                  | See page | QT |
|------|------------|------------------------------|----------|----|
| 01   | 0502011442 | AGRICULTURAL HOUSING BEARING |          | 01 |
| 02   | 0503010276 | 6206 BALL BEARING            |          | 01 |
| 03   | 0503011865 | SEAL                         |          | 01 |
| 04   | 0503010002 | 1800 GREASE FITTING          |          | 01 |

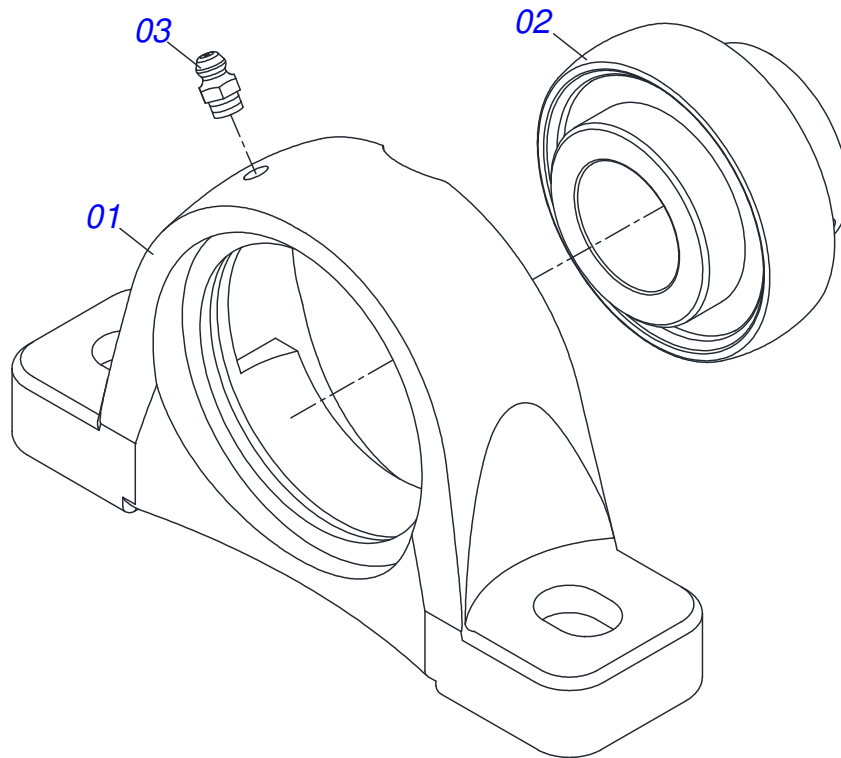




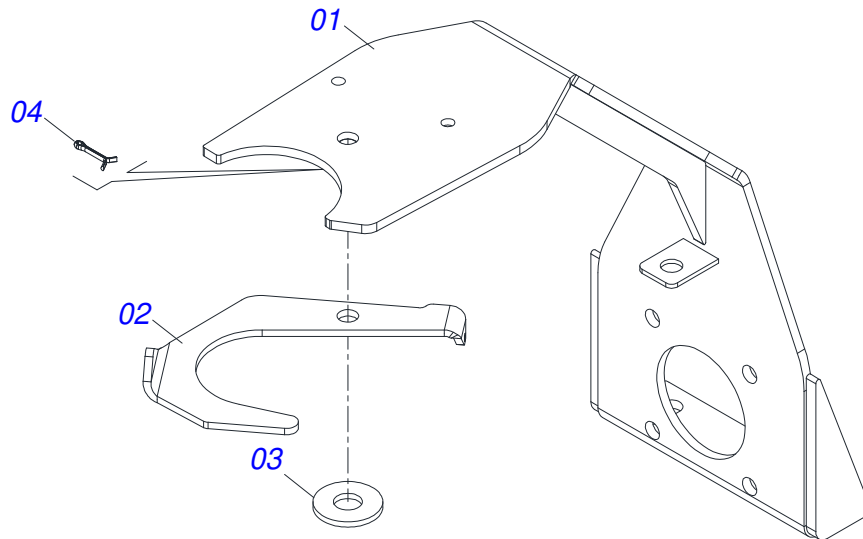
| Item | Code       | Description        | See page | QT |
|------|------------|--------------------|----------|----|
| 01   | 0501069605 | DISTRIBUTOR DISC   |          | 01 |
| 02   | 0521018637 | RH FLIP            |          | 04 |
| 03   | 0503013029 | 3/8" X 3/4" BOLT   |          | 08 |
| 04   | 0503011443 | 3/8" SPRING WASHER |          | 08 |
| 05   | 0503010026 | 3/8" NUT           |          | 08 |



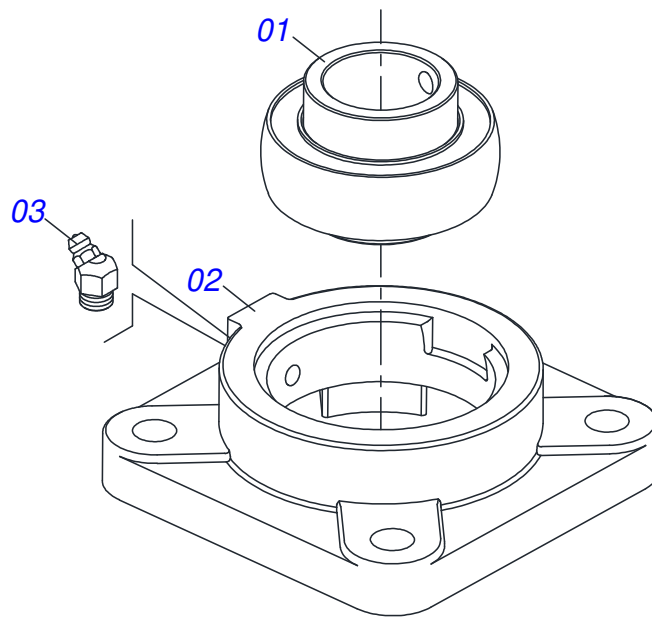
| Item | Code       | Description        | See page | QT |
|------|------------|--------------------|----------|----|
| 01   | 0501069605 | DISTRIBUTOR DISC   |          | 01 |
| 02   | 0521018638 | LH FLIP            |          | 04 |
| 03   | 0503013029 | 3/8" X 3/4" BOLT   |          | 08 |
| 04   | 0503011443 | 3/8" SPRING WASHER |          | 08 |
| 05   | 0503010026 | 3/8" NUT           |          | 08 |



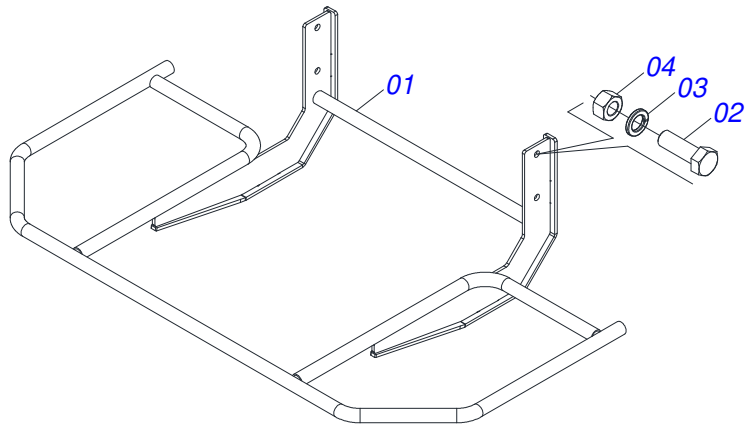
| Item | Code       | Description                  | See page | QT |
|------|------------|------------------------------|----------|----|
| 01   | 0502011954 | AGRICULTURAL HOUSING BEARING |          | 01 |
| 02   | 0503011884 | BALL BEARING                 |          | 01 |
| 03   | 0503010691 | 1/4" GREASE FITTING          |          | 01 |



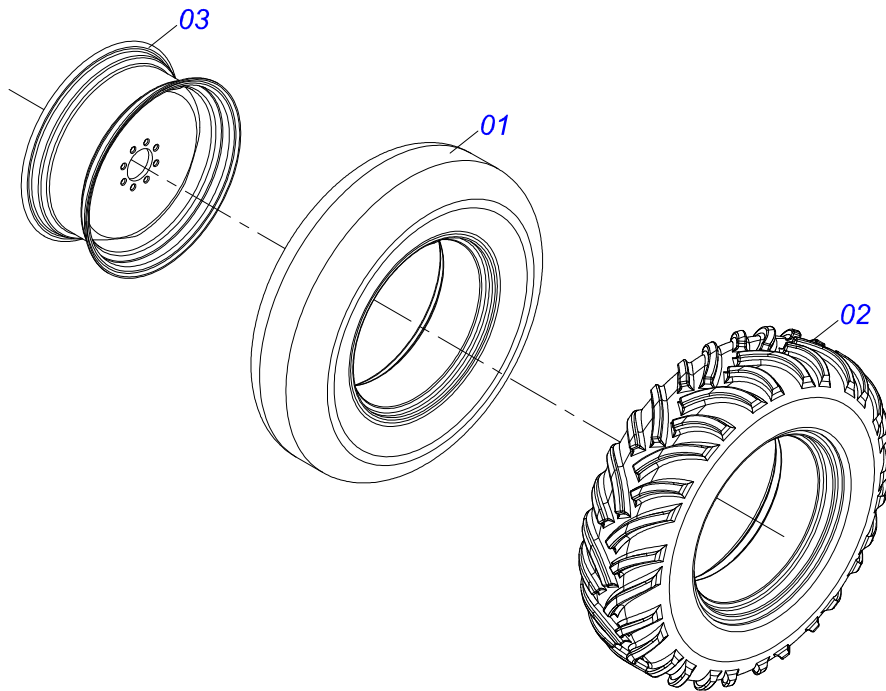
| Item | Code       | Description               | See page | QT |
|------|------------|---------------------------|----------|----|
| 01   | 0521068817 | SUPPORT SUSTENANCE CARDAN |          | 01 |
| 02   | 0511014066 | CARDAN SMALLE SUPPORT     |          | 01 |
| 03   | 0511017302 | FLAT WASHER               |          | 01 |
| 04   | 0503010257 | 1/8" X 1" COTTERPIN       |          | 01 |



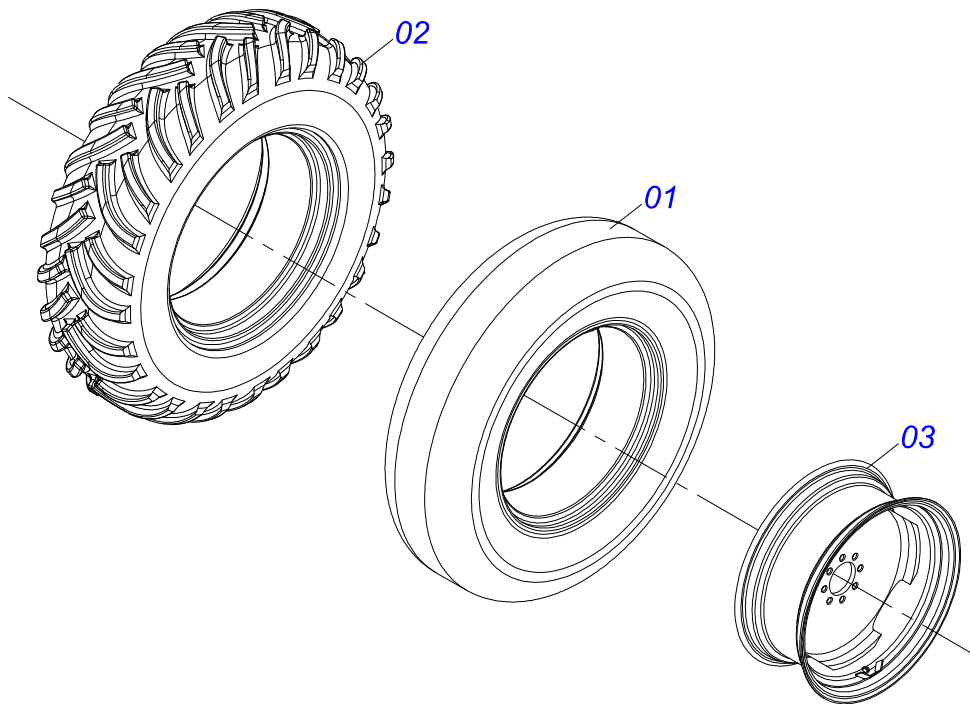
| Item | Code       | Description     | See page | QT |
|------|------------|-----------------|----------|----|
| 01   | 0503011162 | BALL BEARING    |          | 01 |
| 02   | 0503011146 | HOUSING BEARING |          | 01 |
| 03   | 0503011099 | GREASE FITTING  |          | 01 |



| Item | Code       | Description        | See page | QT |
|------|------------|--------------------|----------|----|
| 01   | 0531061810 | DISC PROTECTION    |          | 01 |
| 02   | 0503010920 | 1/2" X 1.1/2" BOLT |          | 04 |
| 03   | 0503011440 | SPRING WASHER      |          | 04 |
| 04   | 0503010060 | 1/2" NUT           |          | 04 |



| Item | Code       | Description               | See page | QT |
|------|------------|---------------------------|----------|----|
| 01   | 0503013040 | 0.5" X 1" VALVE STEM      |          | 01 |
| 02   | 0503013039 | 0.5" X 1" -10 CANVAS TIRE |          | 01 |
| 03   | 0511063924 | DCCO 10500 WHEEL          |          | 01 |



| Item | Code       | Description               | See page | QT |
|------|------------|---------------------------|----------|----|
| 01   | 0503013040 | 0.5" X 1" VALVE STEM      |          | 01 |
| 02   | 0503013039 | 0.5" X 1" -10 CANVAS TIRE |          | 01 |
| 03   | 0511063924 | DCCO 10500 WHEEL          |          | 01 |







***civemasa***

**Technical Publications | Elaboration and Revision**

LORENA ROCHA ALVES

[www.civemasa.com.br](http://www.civemasa.com.br)

