

LIME AND FERTILIZER SPREADER

DFSC 5.5 MC WITH TIRE 11L15

Code: 0501093224
Series: S-0398
Revision: 01
Revision Date: FEVEREIRO/2022

PARTS CATALOGUE


CIVEMASA

PRODUCTS

Code	Description
0120430005	DFSC 5.5 MC C/PNEUS 11L15 6154024

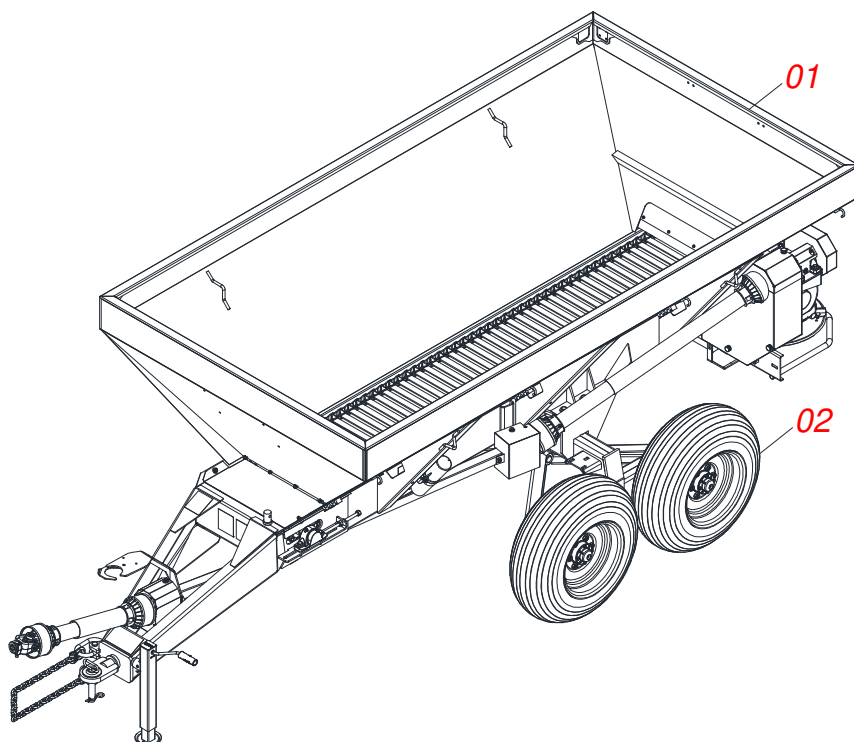
ATTENTION: IMPORTANT

CIVEMASA reserves the right to improve and/or modify the technical features of its products, without obligation to do the same with those products already sold and without prior knowledge of the dealer or the consumer. The photos are only illustrative.

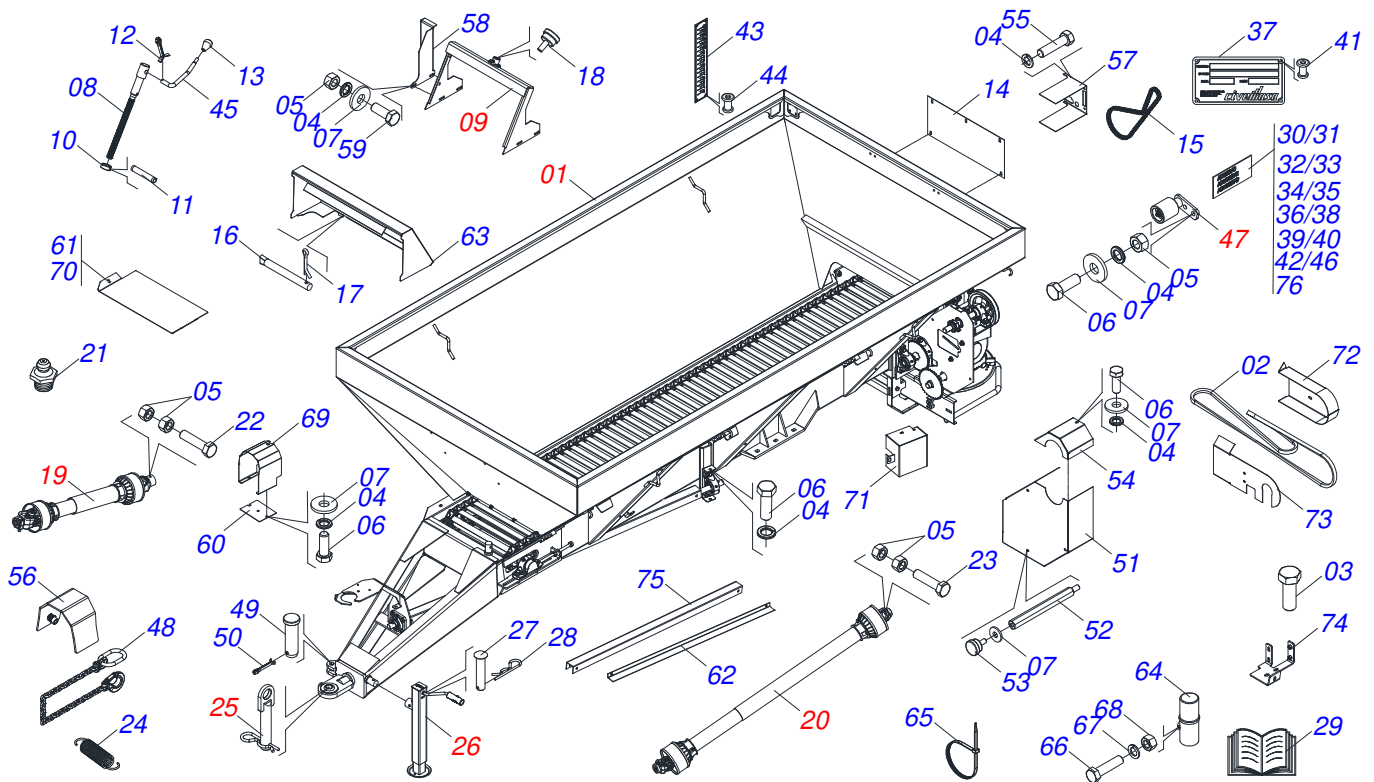


INDEX

0909096169	ASSY FRAME	1
0521045256	ASSY FRAME	2
0511056771	BUCKET ASSY	3
0511059305	REAR PROTECTION WITH MINOR PROTECTOR	4
0501054847	SLUICE VALVE COVER ASSY	5
0501047985	REDUCER	6
0501051774	38Z CROWN	7
0501046802	BELT TENSIONER ASSY	8
0501051782	RIGHT BEARING SUPPORT DISC	9
0501051783	LEFT BEARING SUPPORT DISC	10
0501048000	AGRICULTURAL BEARING	11
0511041213	AGRICULTURAL BEARING	12
0521045251	CARRYING-WHEEL FIXATION SUPP ASSY	13
0501047998	BELL CRANK FIXATION SUPPORT ASSY	14
0501051142	CARRYING WHEEL HUB	15
0501044308	AGRICULTURAL BEARING ASSY	16
0501051972	DISTRIBUTOR RIGHT DISC ASSY	17
0501051973	DISTRIBUTOR LEFT DISC ASSY	18
0501044306	BATH BEARING	19
0521053161	CARDAN SUPPORT WITHOUT SPRING	20
0531050244	PROTECTOR DISC	21
0511055834	SUPPORT SLUICE VALVE ASSY	22
0501054846	SLUICE VALVE SUPPORT	23
0501048241	DRIVE SHAFT	24
0501048783	DRIVE SHAFT	25
0501047881	AXIS JOINT ASSY	26
0503062157	HEADER JACK	27
0501050829	CHAIN TENSIONER	28
0503060181	WHEEL AND TIRE	29



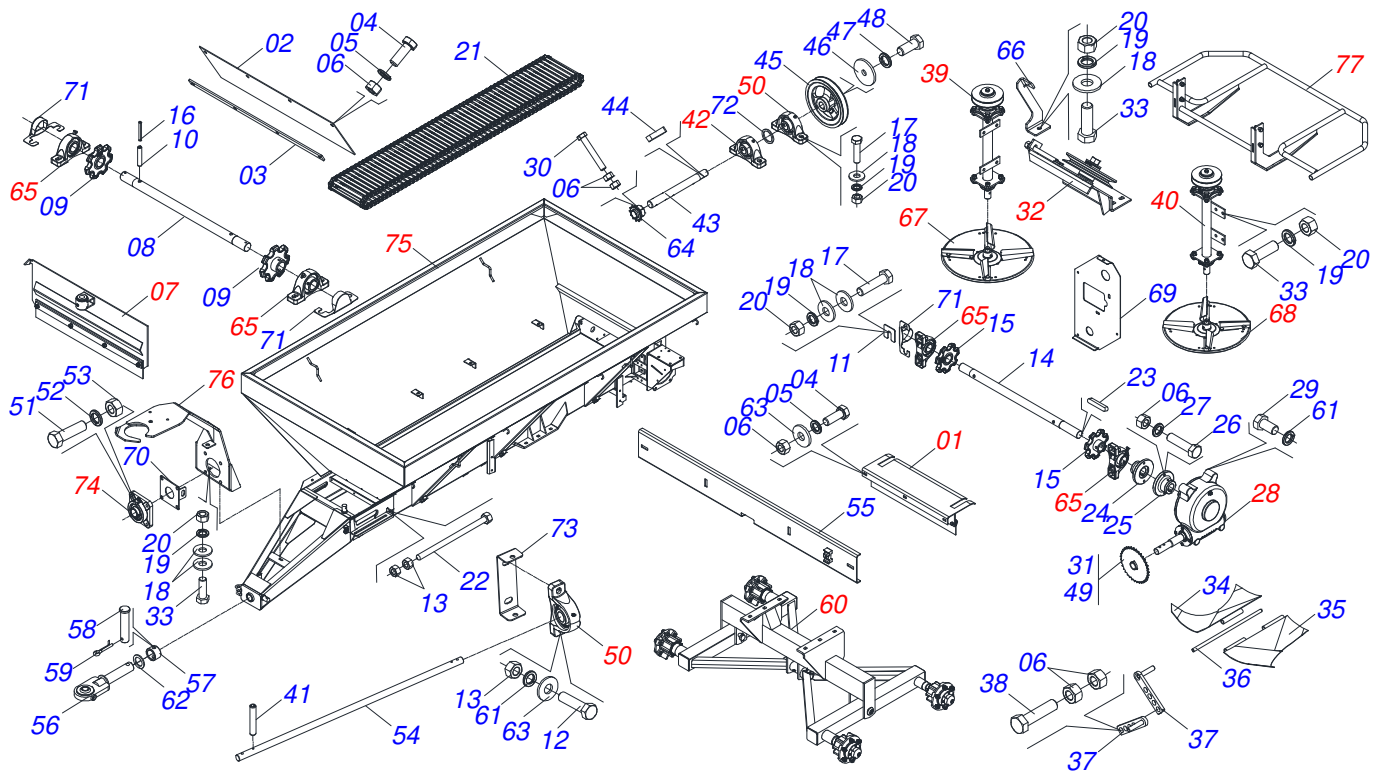
Item	Code	Description	See page	QT
01	0521045256	ASSY FRAME	2	01
02	0503060181	WHEEL AND TIRE	29	04



Item	Code	Description	See page	QT
01	0511056771	BUCKET ASSY	3	01
02	0503010154	C-128 BELT		01
03	0503010751	C3/8" X 1.1/4" HEX BOLT G.5		04
04	0503010025	3/8" SPRING WASHER		28
05	0503010026	3/8" NUT		25
06	0503010237	3/8" X 1" BOLT		12
07	0501010984	FLAT WASHER		34
08	0561014861	REGULATOR		01
09	0511055834	SUPPORT SLUICE VALVE ASSY	22	01
10	0511013015	SLEEVE		01
11	0503010561	SPRING PIN		01
12	0503010257	1/8" X 1" COTTERPIN		01
13	0503030878	LEVER CRANK		01
14	0501019460	REAR PROTECTION		01
15	0503013003	50-1 CHAIN X 79 LINK + REDUCTION + MENDING		01
16	0501017574	0.3" X 2.7" AXLE		02
17	0503010140	1/8" X 3/4" COTTERPIN		02
18	0503010386	CABLE		01
19	0501048241	DRIVE SHAFT	24	01
20	0501048783	DRIVE SHAFT	25	01
21	0503011098	1/4" GREASE FITTING		04
22	0503010765	3/8" X 3" BOLT		01
23	0503011268	3/8" X 2-1/2" BOLT		02
24	0503030198	0.6" X 2.4" X 0.1" EXTENSION SPRING		01
25	0501047881	AXIS JOINT ASSY	26	01
26	0503062157	HEADER JACK	27	01
27	0521010549	COUPLING SHAFT		01
28	0503030168	HAIR PIN		01
29	0511031539	BAG WITH INSTRUCTION MANUAL		01
30	0503035157	ADHESIVE LABEL DISTRIBUTOR LIMESTONE		01
31	0503031427	ADHESIVE LABEL		01

ASSY FRAME

Item	Code	Description	See page	QT
32	0503034138	BADGE		02
33	0503031818	ADHESIVE LABEL		01
34	0503031809	ADHESIVE LABEL		01
35	0503031859	ADHESIVE LABEL DANGER		02
36	0503031827	LUBRICATE AND RETIGHTEN DAILY DECAL		01
37	0503034004	ALUMINUM IDENTIFICATION LABEL		01
38	0503032425	ADHESIVE LABEL ATTENTION		01
39	0503031428	READ MANUAL DECAL		01
40	0503032949	ADHESIVE LABEL		01
41	0503010001	3.2 X 5.5 RIVET		04
42	0503033647	APPROVED BADGE		01
43	0503030751	REGULATOR PLATE		01
44	0503012209	RIVET POP		04
45	0521011107	CRANK BODY		01
46	0503034139	BADGE		06
47	0501050829	CHAIN TENSIONER	28	01
48	0503013150	1300 X 3/8 CHAIN		01
49	0581011220	COUPLING SHAFT		01
50	0503010131	3/16" X 1-1/2" COTTERPIN		01
51	0581017495	CHAIN CAP		01
52	0581017496	PRISONER 3/8 UNC X 5/16 UNC X 175		03
53	0503010386	CABLE		03
54	0581017494	TOP PROTECTION RECAMBIO		01
55	0503010256	3/8" X 3/4" BOLT		10
56	0521068819	PULLEY AXLE PROTECTION		01
57	0581017497	COUPLING PROTECTION		01
58	0581017492	SIDE PROTECTION BELT		01
59	0503010849	3/8" X 1-1/2" BOLT		08
60	0581017488	LOWER PROTECTION BOARD CARDAN		01
61	0581013216	FRONT PROTECTION		01
62	0581017465	PROTECTION FRONT COVER		01
63	0501069840	REAR COVER PROTECTION		01
64	0503060100	OPERATOR'S MANUAL STORAGE TUBE		01
65	0503010267	NYLON CLAMP		01
66	0503010363	5/16" X 1" BOLT		01
67	0503010179	5/16" ZN SPRING WASHER		01
68	0503010337	5/16" NUT		01
69	0581017468	PROTECTION BODY		01
70	0581017448	FRONT PROTECTION		01
71	0521068818	BEARING PROTECTION		01
72	0581017500	REAR LATERAL PROTECTION BELT		01
73	0521068820	REAR LATERAL PROTECTION BELT		01
74	0521068821	SUPPORT BELT PROTECTION		01
75	0521068800	TRANSMISSION AXLE PROTECTION		01

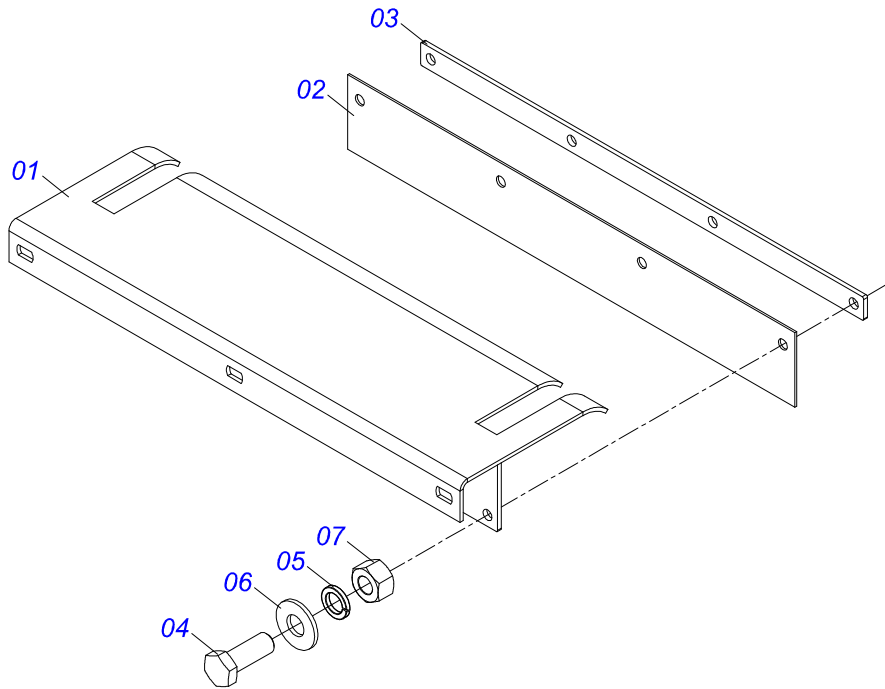


Item	Code	Description	See page	QT
01	0511059305	REAR PROTECTION WITH MINOR PROTECTOR	4	01
02	0511011866	PROTECTION LARGER		01
03	0511016575	RUBBER COVER FIXER		01
04	0503010237	3/8" X 1" BOLT		10
05	0503011443	3/8" SPRING WASHER		12
06	0503010026	3/8" NUT		20
07	0501054847	SLUICE VALVE COVER ASSY	5	01
08	0511016482	DRIVEN AXLE		01
09	0502040728	7Z GEAR		02
10	0503010361	SPRING PIN		02
11	0501010794	HIDR CHOCK REGULATOR		04
12	0503010233	5/8" X 2-1/2" BOLT		04
13	0503010013	5/8" NUT		06
14	0511016481	MOTOR SHAFT		01
15	0502040728	7Z GEAR		02
16	0503010361	SPRING PIN		02
17	0503010740	BOLT 1/2 UNC X 2 CS G.5 ZN		10
18	0511017302	FLAT WASHER		17
19	0503011440	SPRING WASHER		15
20	0503010060	1/2" NUT		27
21	0501067591	DRIVE THE FERTILIZER TRANSPORT		01
22	0501067853	ROD STABILIZER		02
23	0501010540	KEYWAY SQUARE		02
24	0511016540	MAT COUPLING FLANGE		01
25	0511016541	REDUCTION COUPLING FLANGE		01
26	0503010849	3/8" X 1-1/2" BOLT		02
27	0503011443	3/8" SPRING WASHER		02
28	0501047985	REDUCER	6	01
29	0503011167	M16 X 2 X 30 BOLT		04
30	0503011268	3/8" X 2-1/2" BOLT		03
31	0501069020	35Z GEAR		01

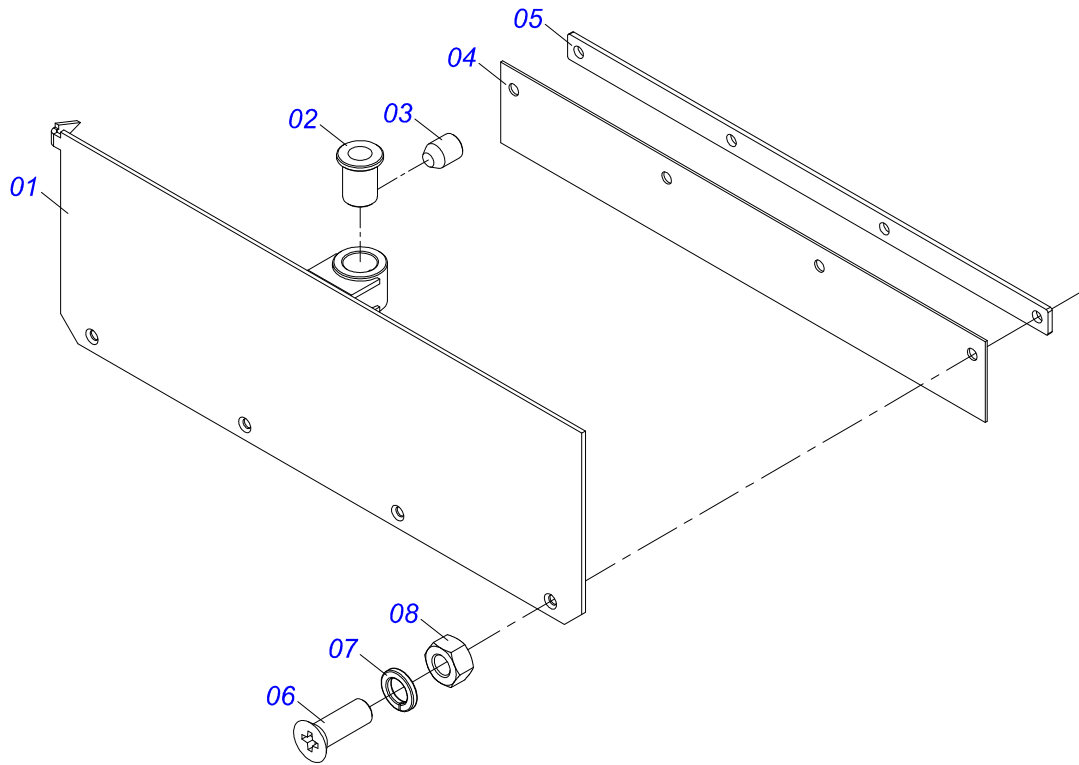
BUCKET ASSY

0511056771

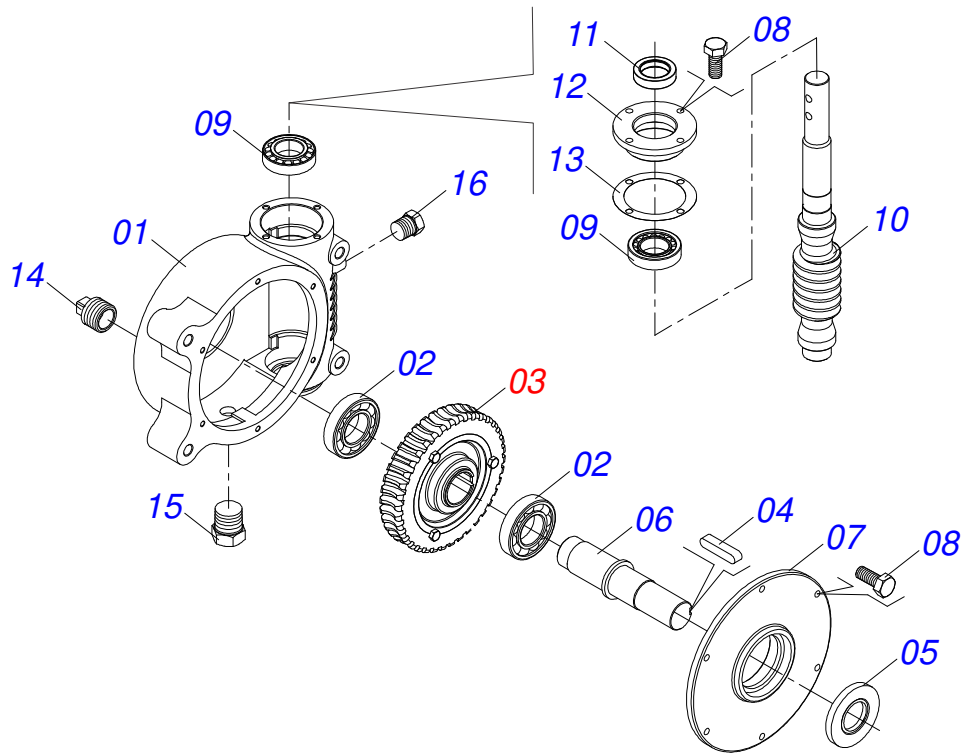
Item	Code	Description	See page	QT
32	0501046802	BELT TENSIONER ASSY	8	01
33	0503010920	1/2" X 1.1/2" BOLT		19
34	0501067203	RIGHT FLOW DIVIDING		01
35	0501067361	LEFT FLOW DIVIDING		01
36	0511016530	TENSIONER OPEN		01
37	0501067368	DIVISOR REGULATOR OPEN		02
38	0503010849	3/8" X 1-1/2" BOLT		01
39	0501051782	RIGHT BEARING SUPPORT DISC	9	01
40	0501051783	LEFT BEARING SUPPORT DISC	10	01
41	0503010361	SPRING PIN		02
42	0511041213	AGRICULTURAL BEARING	12	02
43	0521011063	TRANSMISSION AXLE		01
44	0501010536	KEYWAY SQUARE		01
45	0502011361	REEL 1C 5.5" X 1.1" PULLEY		01
46	0511014052	FLAT WASHER		01
47	0503011446	SPRING WASHER		01
48	0503010355	7/16" X 1" BOLT		01
49	0501069020	35Z GEAR		01
50	0511041213	AGRICULTURAL BEARING	12	01
51	0503011135	BOLT		04
52	0503011446	SPRING WASHER		04
53	0503010244	7/16" NUT		04
54	0521011192	1800 FRONT DRIVE AXLE		01
55	0501019838	BAMPER		01
56	0521068793	TRACTOR TRACTOR		01
57	0521010681	BUSHING COUPLING BODY		01
58	0521010639	COUPLING SHAFT		01
59	0503010571	1/4" X 1.1/2 COTTERPIN		01
60	0521045251	CARRYING-WHEEL FIXATION SUPP ASSY	13	01
61	0503011445	SPRING WASHER		16
62	0501015875	FLAT WASHER		01
63	0501012140	FLAT WASHER		08
64	0501069017	12Z GEAR		01
65	0501044308	AGRICULTURAL BEARING ASSY	16	04
66	0511060909	PROTECTION REAR SUPPORT FIXER		01
67	0501051972	DISTRIBUTOR RIGHT DISC ASSY	17	01
68	0501051973	DISTRIBUTOR LEFT DISC ASSY	18	01
69	0521068823	COVER PROTECTION		01
70	0521068825	SUPPORT AXLE PROTECTION		01
71	0521068822	BEARING PROTECTION		03
72	0511016579	WASHER		01
73	0521068824	PROTECTION SUPPORT BEARING		01
74	0501044306	BATH BEARING	19	01
75	0521062232	FRAME BUCKET ASSY		01
76	0521053161	CARDAN SUPPORT WITHOUT SPRING	20	01
77	0531050244	PROTECTOR DISC	21	01



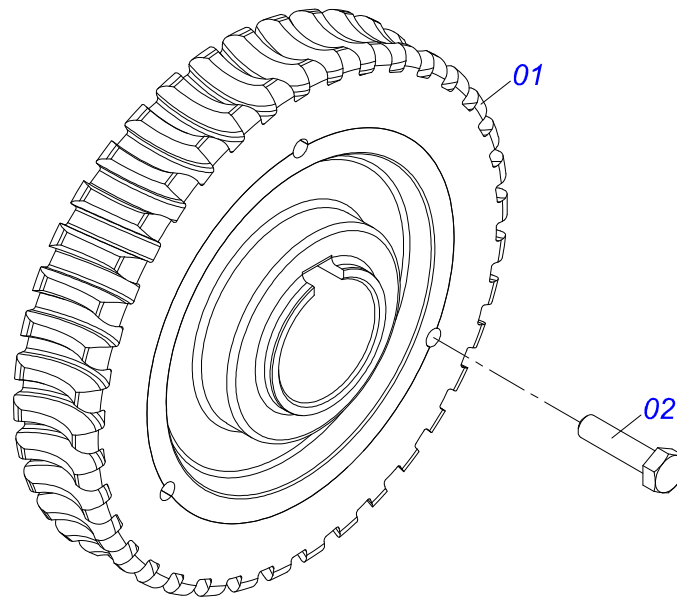
Item	Code	Description	See page	QT
01	0501067379	MAT REAR PROTECTION		01
02	0511014562	PROTECTION SMALLER		01
03	0511016575	RUBBER COVER FIXER		01
04	0503010237	3/8" X 1" BOLT		04
05	0503011443	3/8" SPRING WASHER		04
06	0501010984	FLAT WASHER		04
07	0503010026	3/8" NUT		04



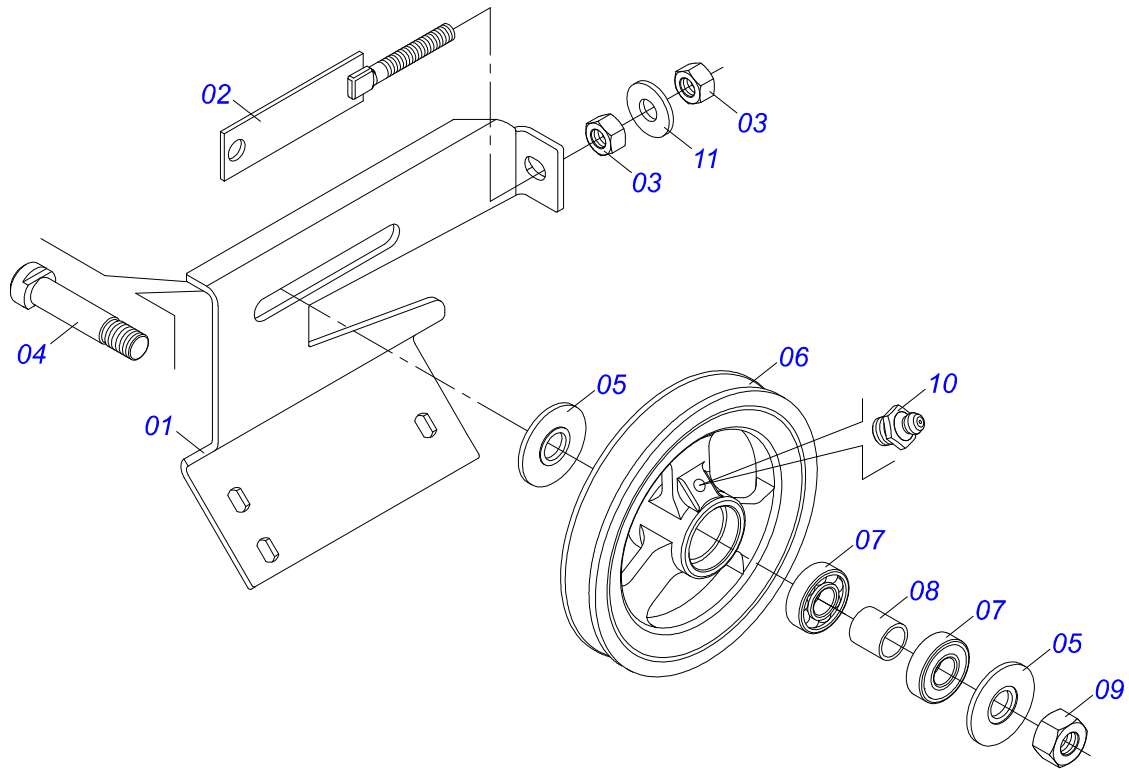
Item	Code	Description	See page	QT
01	0501069181	SLUICE VALVE COVER		01
02	0501019831	ADJUSTING NUT		01
03	0503011148	3/8" X 1/2" BOLT		01
04	0511014562	PROTECTION SMALLER		01
05	0511016575	RUBBER COVER FIXER		01
06	0503010546	5/16" X 7/8" BOLT		04
07	0503011444	SPRING WASHER		04
08	0503010337	5/16" NUT		04



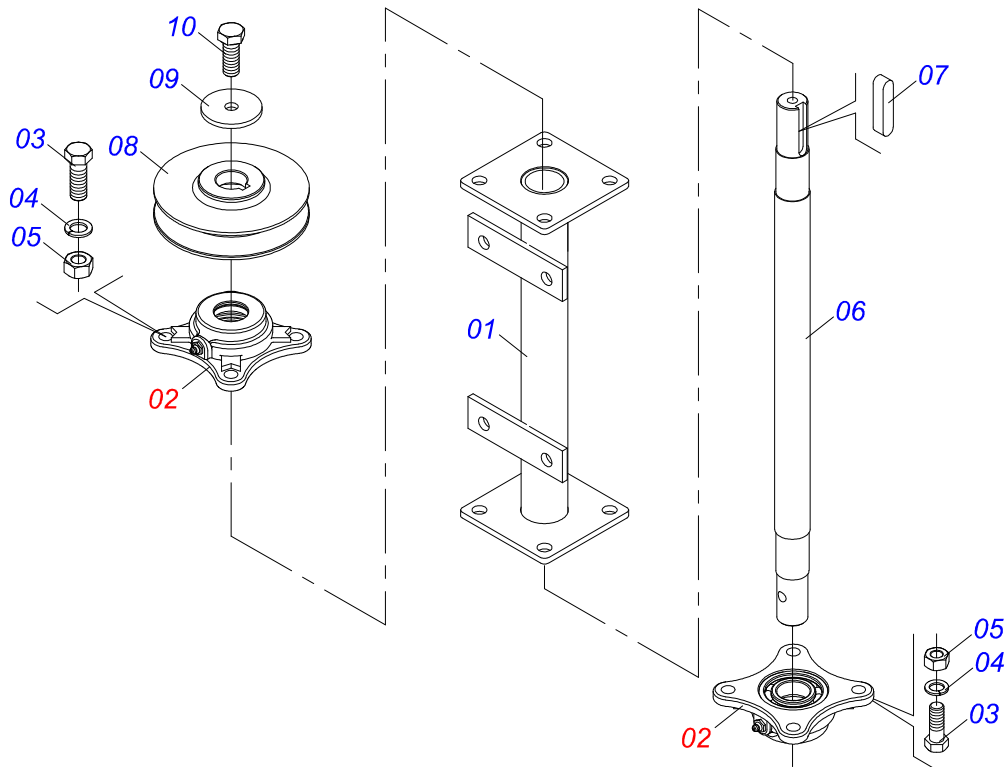
Item	Code	Description	See page	QT
01	0502011456	REDUCTION BOX		01
02	0503011095	6208 BALL BEARING		02
03	0501051774	38Z CROWN	7	01
04	0503011304	1/2" X 2.4" KEYWAY SQUARE		01
05	0503010818	02675-BRG SEAL		01
06	0521010996	AXLE		01
07	0502020556	LARGER COVER		01
08	0503010240	5/16" X 3/4" BOLT		10
09	0503010016	BEARING LM		02
10	0521010997	SCREW THEAD		01
11	0503011171	00912-BRG SEAL		01
12	0502011457	SMALLER COVER		01
13	0503030981	102 X 75,5 X 0,10 JOINT		01
14	0521011023	PLUG		01
15	0503031604	1/2" BSP PLUG		01
16	0503010856	OIL PLUG		01



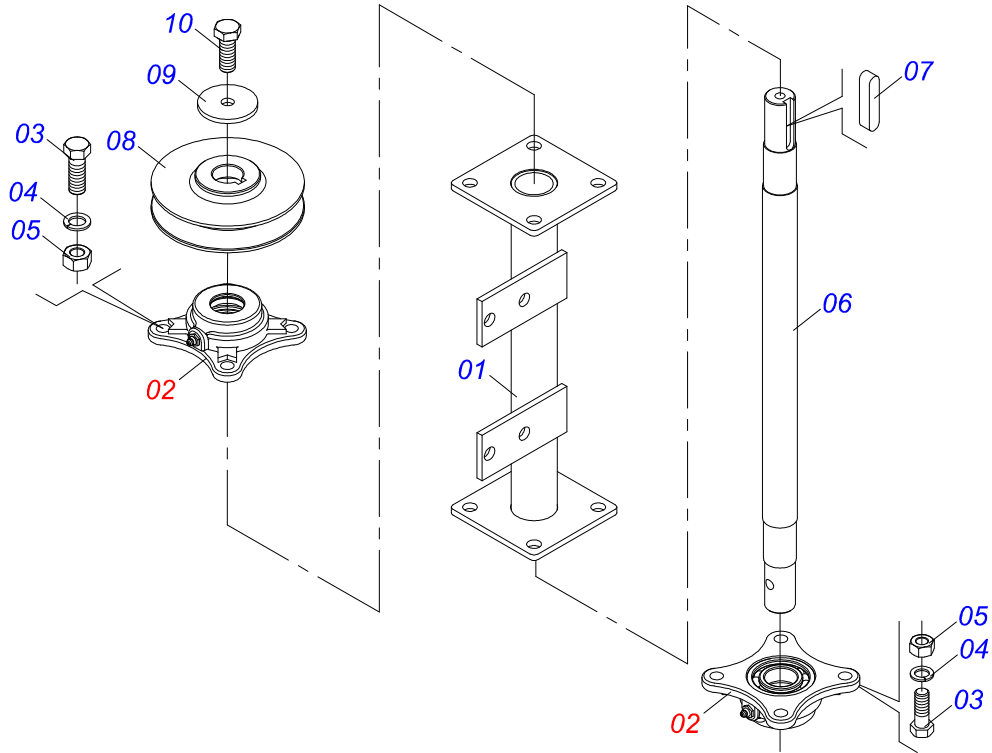
Item	Code	Description	See page	QT
01	0501110280	38Z CONICAL		01
02	0503010365	NUT		03



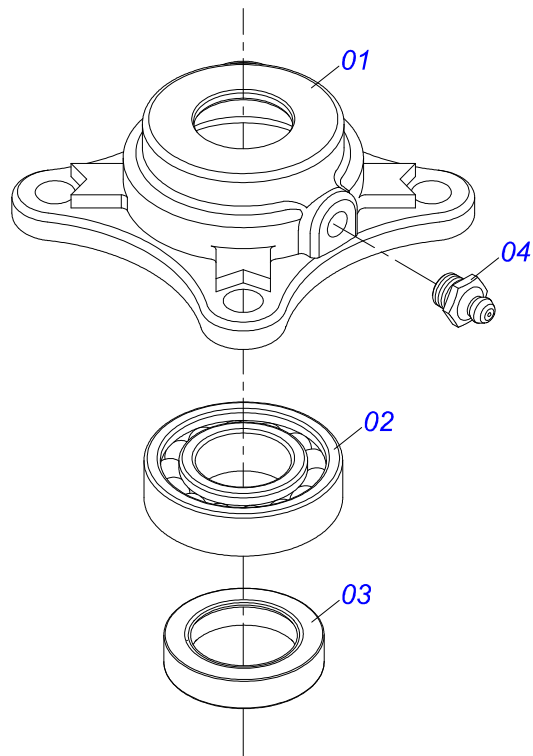
Item	Code	Description	See page	QT
01	0501066100	SUPPORT		01
02	0501065968	1C X 8.3 PULLEY TENSIONER		01
03	0503010013	5/8" NUT		02
04	0511012362	TIGHTENER AXLE PULLEY		01
05	0501019288	WASHER SPACER		02
06	0502011366	REEL 1C 8.3" X 1.6" PULLEY		01
07	0503010690	6204 BALL BEARING		02
08	0521010497	0.8" X 1.1" X 1.1" SPACER		01
09	0503010014	3/4" NUT		01
10	0503010002	1800 GREASE FITTING		01
11	0501012140	FLAT WASHER		01



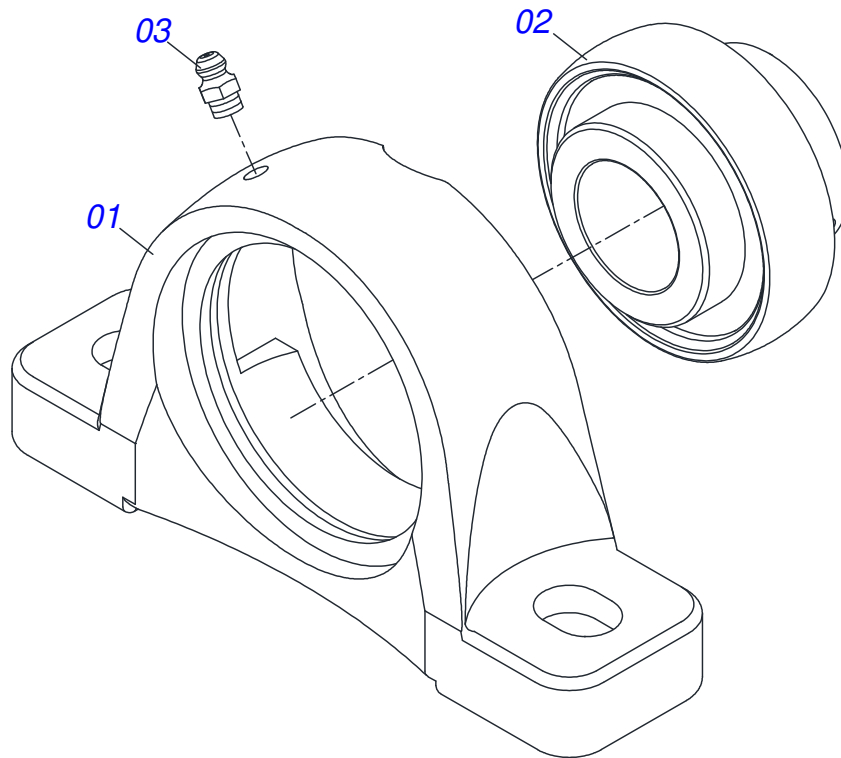
Item	Code	Description	See page	QT
01	0501067387	DISTRIBUTOR RIGHT SUPPORT DISC		01
02	0501048000	AGRICULTURAL BEARING	11	02
03	0503011102	BOLT 7/16 UNC X 1.1/4 C S G.5 ZN		08
04	0503011446	SPRING WASHER		08
05	0503010244	7/16" NUT		08
06	0511016489	DISTRIBUTOR AXLE CONDUCTOR DISC		01
07	0501010536	KEYWAY SQUARE		01
08	0502011361	REEL 1C 5.5" X 1.1" PULLEY		01
09	0511014052	FLAT WASHER		01
10	0503010355	7/16" X 1" BOLT		01



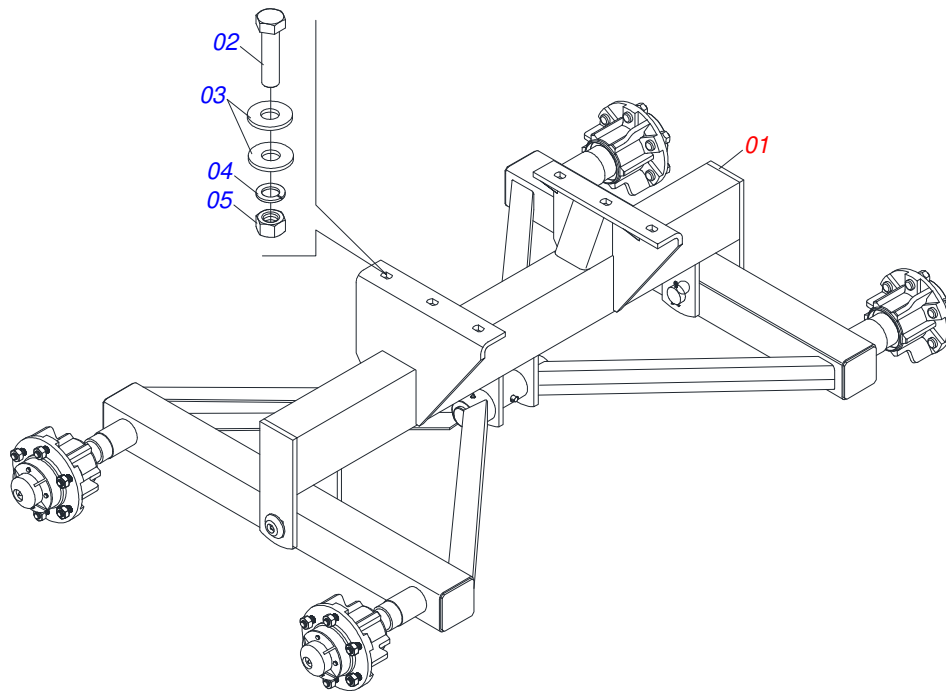
Item	Code	Description	See page	QT
01	0501067388	DISTRIBUTOR LEFT SUPPORT DISC		01
02	0501048000	AGRICULTURAL BEARING	11	02
03	0503011102	BOLT 7/16 UNC X 1.1/4 C S G.5 ZN		08
04	0503011446	SPRING WASHER		08
05	0503010244	7/16" NUT		08
06	0511016489	DISTRIBUTOR AXLE CONDUCTOR DISC		01
07	0501010536	KEYWAY SQUARE		01
08	0502011361	REEL 1C 5.5" X 1.1" PULLEY		01
09	0511014052	FLAT WASHER		01
10	0503010355	7/16" X 1" BOLT		01



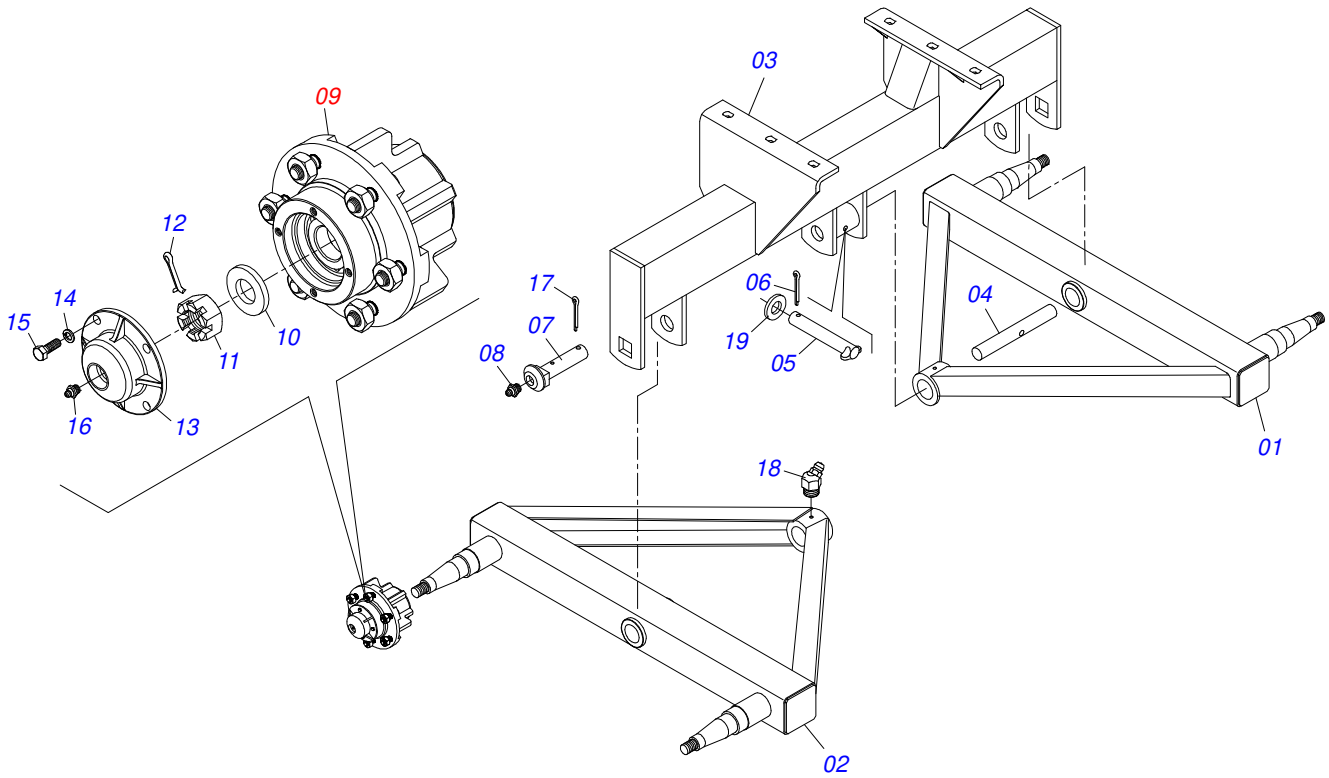
Item	Code	Description	See page	QT
01	0502011442	AGRICULTURAL HOUSING BEARING		01
02	0503010276	6206 BALL BEARING		01
03	0503011865	SEAL		01
04	0503010002	1800 GREASE FITTING		01



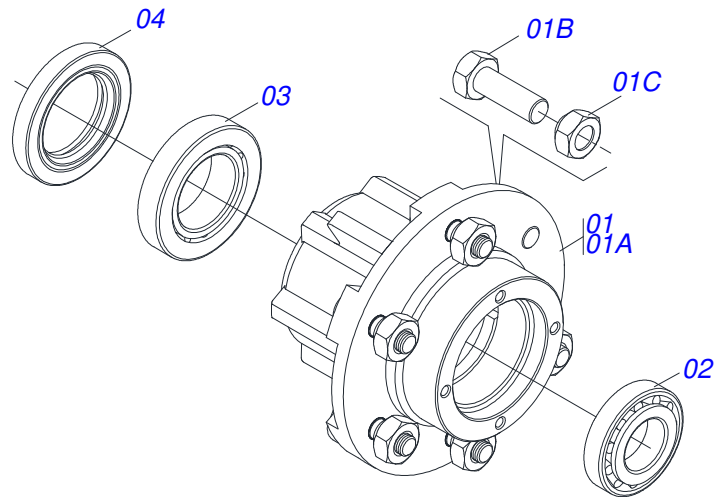
Item	Code	Description	See page	QT
01	0502011954	AGRICULTURAL HOUSING BEARING		01
02	0503011884	BALL BEARING		01
03	0503010691	1/4" GREASE FITTING		01



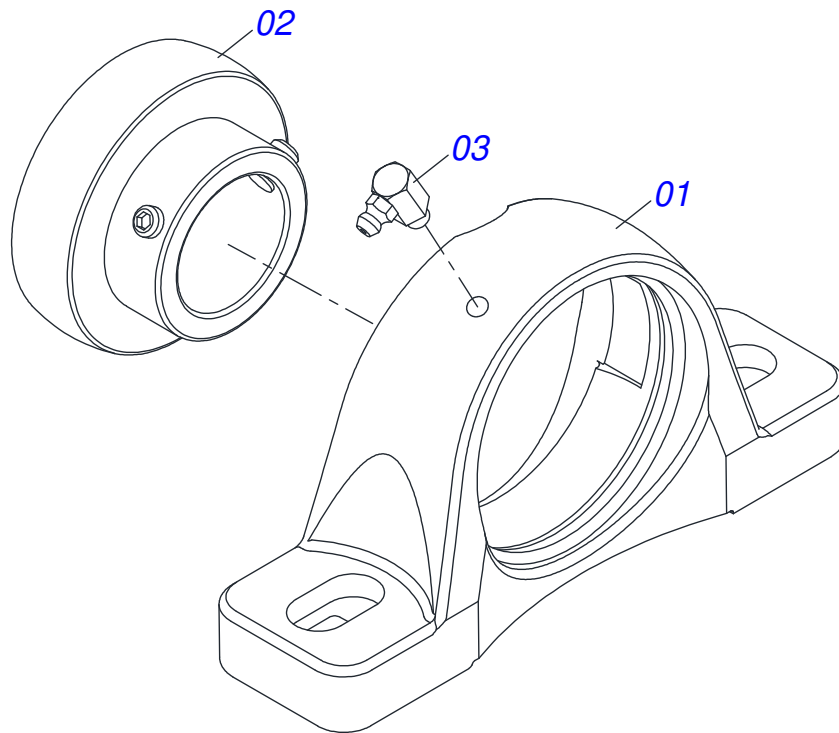
Item	Code	Description	See page	QT
01	0501047998	BELL CRANK FIXATION SUPPORT ASSY	14	01
02	0503010233	5/8" X 2-1/2" BOLT		06
03	0501012140	FLAT WASHER		12
04	0503011445	SPRING WASHER		06
05	0503010013	5/8" NUT		06



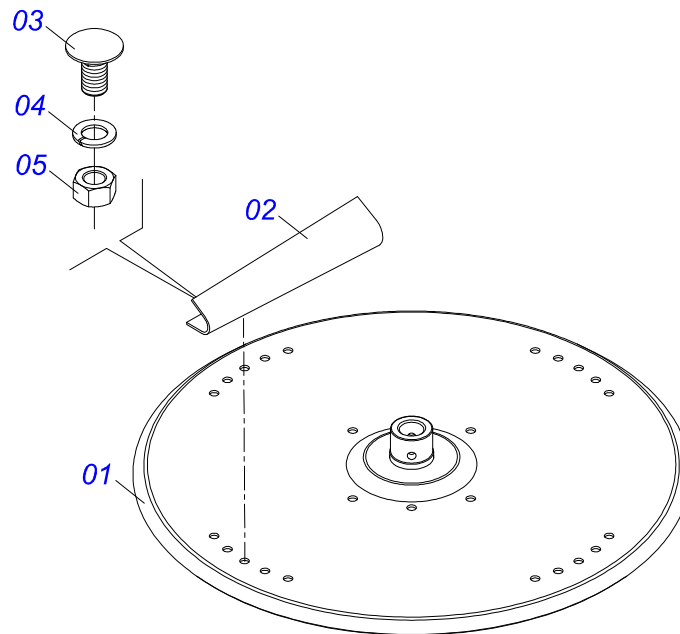
Item	Code	Description	See page	QT
01	0501069182	RIGHT ROCKER ARM		01
02	0501069183	LEFT ROCKER ARM		01
03	0521062814	BELL CRANK SUPPORT FIXATION		01
04	0521011118	COUPLING SHAFT		01
05	0521010553	0.5" X 3" COUPLING SHAFT		01
06	0503010297	5/32" X 1.1/4" COTTER PIN		01
07	0521010956	PIVOT SHAFT		02
08	0503010002	1800 GREASE FITTING		02
09	0501051142	CARRYING WHEEL HUB	15	04
10	0501016545	FLAT WASHER		04
11	0503030009	1" CASTLE NUT		04
12	0503010131	3/16" X 1-1/2" COTTERPIN		04
13	0502020591	PROTECCION COVER		04
14	0503011444	SPRING WASHER		16
15	0503010358	5/16" X 5/8" BOLT		16
16	0503010002	1800 GREASE FITTING		04
17	0503010534	3/8 X 2-1/2 COTTERPIN		02
18	0503010003	1845 GREASE FITTING		02
19	0511017302	FLAT WASHER		02



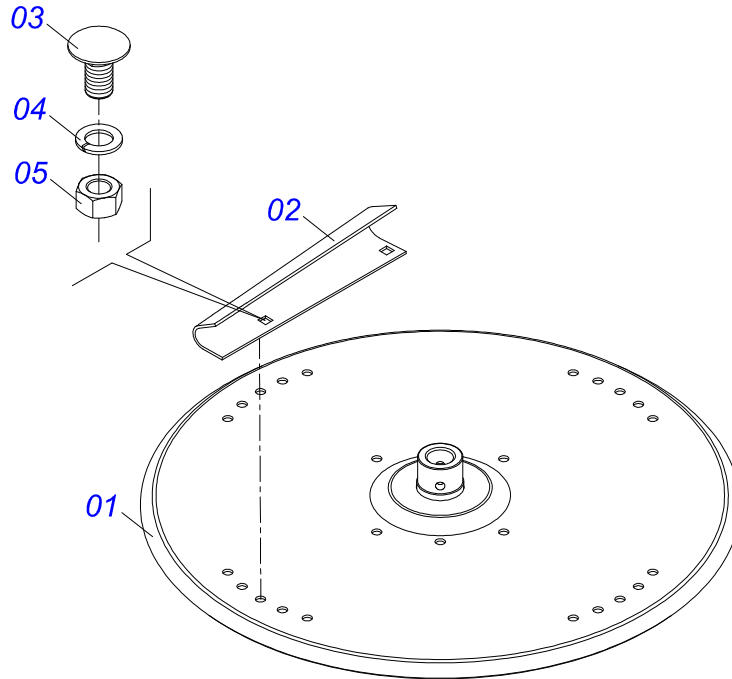
Item	Code	Description	See page	QT
01	0501110728	WHEEL HUB		01
01A	0502011121	CARRYING WHEEL HUB		01
01B	0501010127	9/16" X 1-7/8" LUG BOLT		06
01C	0503010035	9/16" CONIC NUT		06
02	0503010037	30207 ROLLER BEARING		01
03	0503010006	32210 ROLLER BEARING		01
04	0503012928	SEAL		01



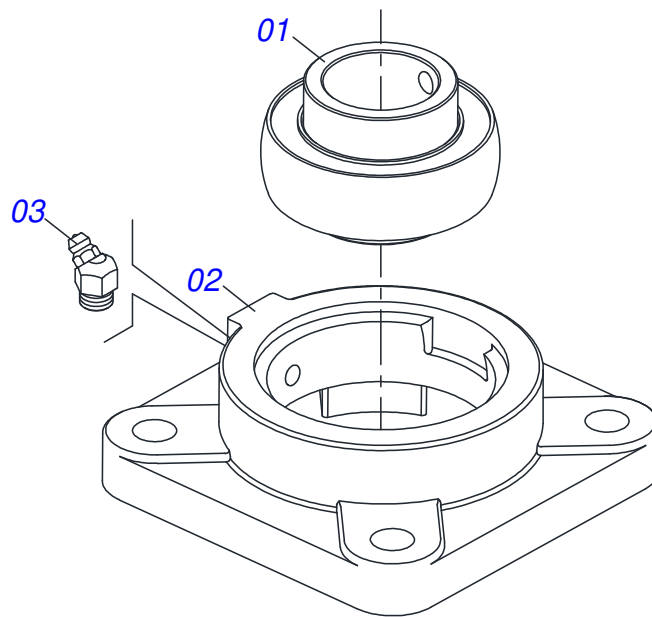
Item	Code	Description	See page	QT
01	0502011050	AGRICULTURAL HOUSING BEARING		01
02	0503011163	1108/UCR BEARING ASSY		01
03	0503010004	1890 GREASE FITTING		01



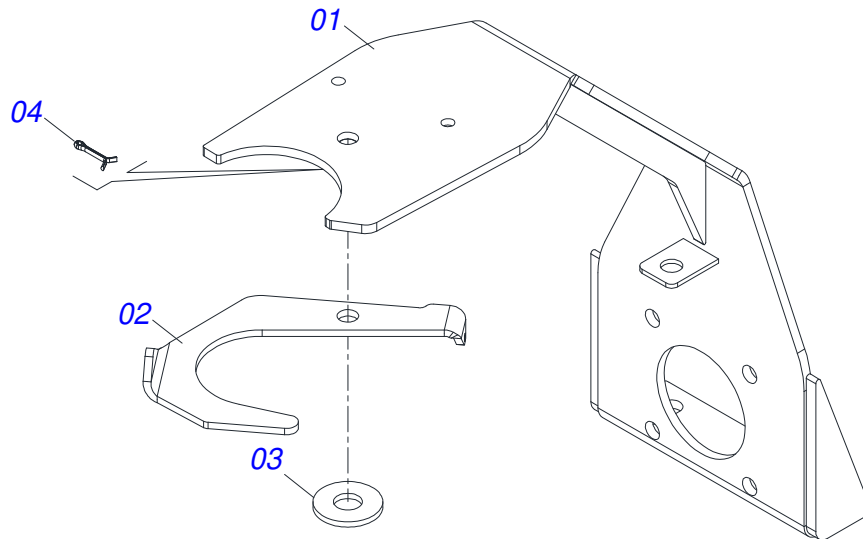
Item	Code	Description	See page	QT
01	0501069605	DISTRIBUTOR DISC		01
02	0521018637	RH FLIP		04
03	0503013029	3/8" X 3/4" BOLT		08
04	0503011443	3/8" SPRING WASHER		08
05	0503010026	3/8" NUT		08



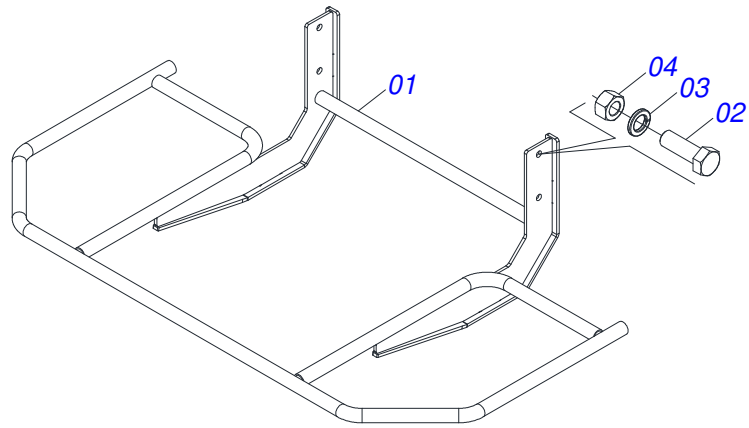
Item	Code	Description	See page	QT
01	0501069605	DISTRIBUTOR DISC		01
02	0521018638	LH FLIP		04
03	0503013029	3/8" X 3/4" BOLT		08
04	0503011443	3/8" SPRING WASHER		08
05	0503010026	3/8" NUT		08



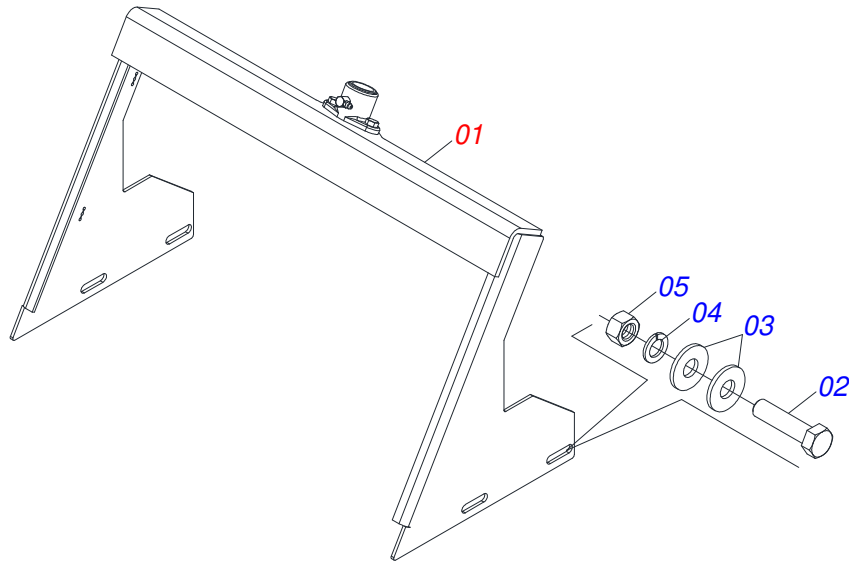
Item	Code	Description	See page	QT
01	0503011162	BALL BEARING		01
02	0503011146	HOUSING BEARING		01
03	0503011099	GREASE FITTING		01



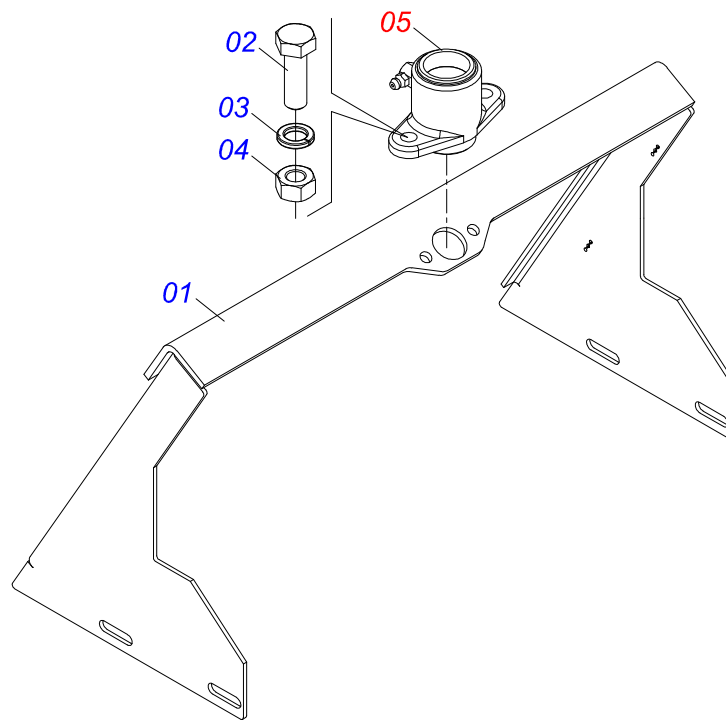
Item	Code	Description	See page	QT
01	0521068817	SUPPORT SUSTENANCE CARDAN		01
02	0511014066	CARDAN SMALLE SUPPORT		01
03	0511017302	FLAT WASHER		01
04	0503010257	1/8" X 1" COTTERPIN		01



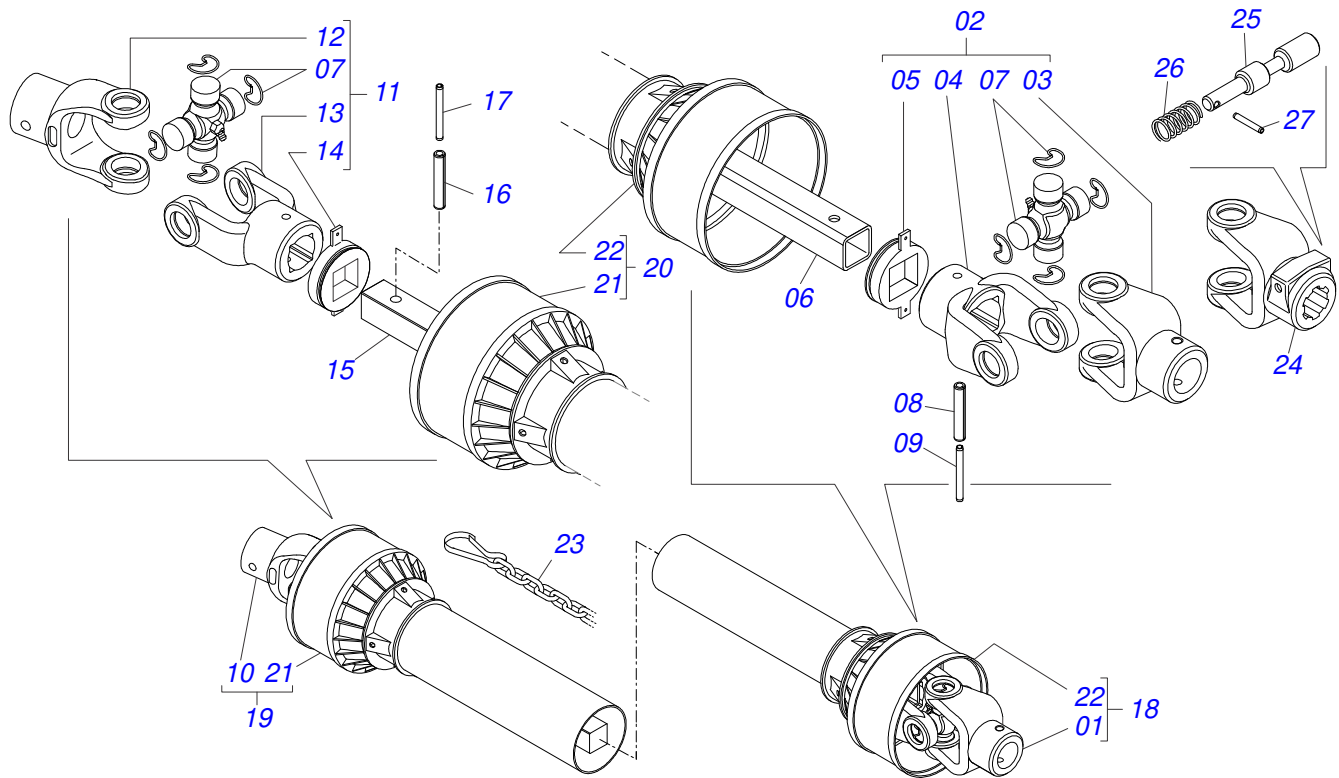
Item	Code	Description	See page	QT
01	0531061810	DISC PROTECTION		01
02	0503010920	1/2" X 1.1/2" BOLT		04
03	0503011440	SPRING WASHER		04
04	0503010060	1/2" NUT		04



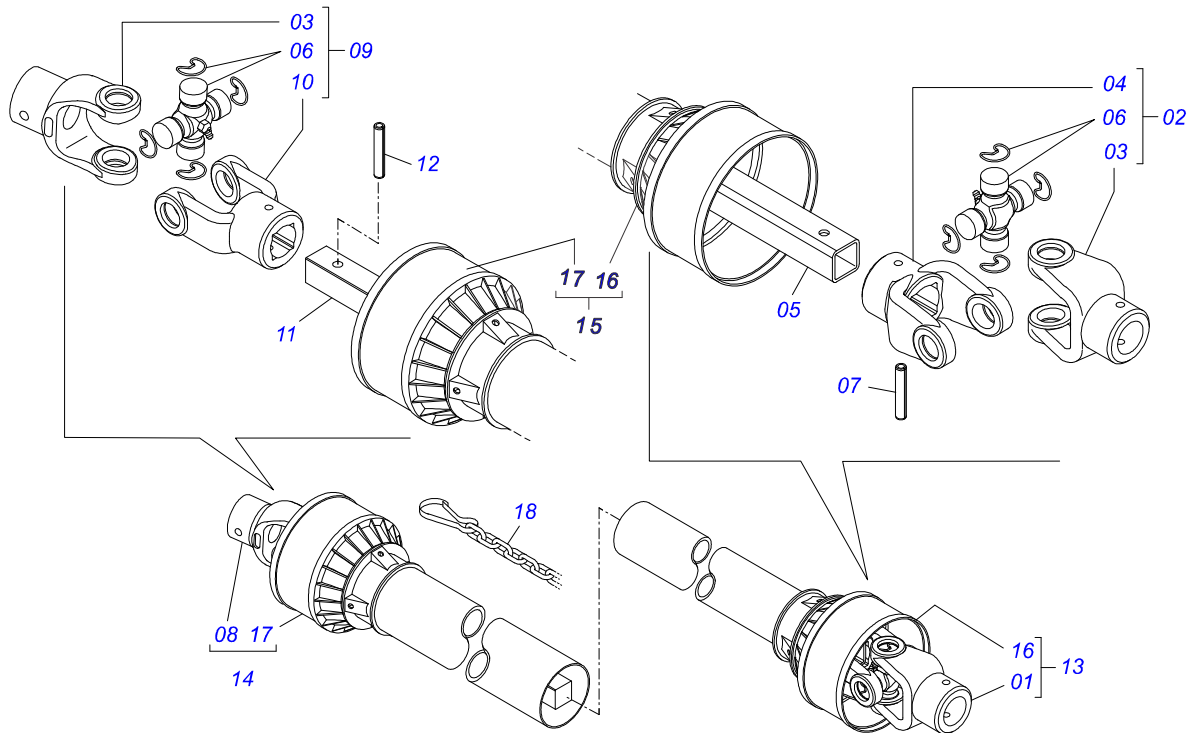
Item	Code	Description	See page	QT
01	0501054846	SLUICE VALVE SUPPORT	23	01
02	0503010751	C3/8" X 1.1/4" HEX BOLT G.5		04
03	0501010984	FLAT WASHER		08
04	0503010025	3/8" SPRING WASHER		04
05	0503010026	3/8" NUT		04



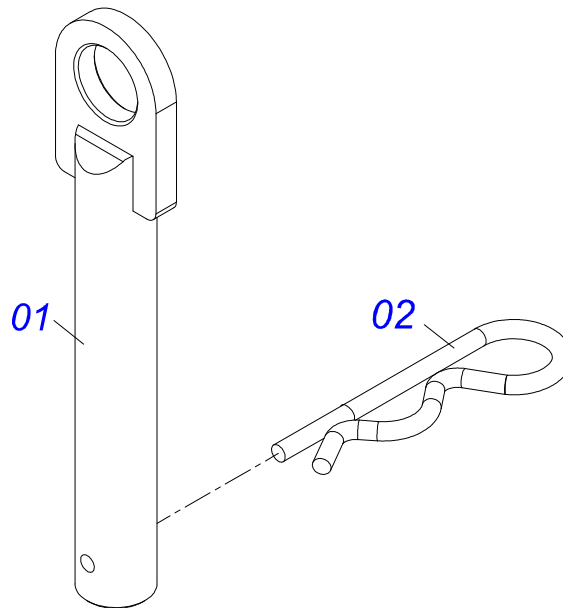
Item	Code	Description	See page	QT
01	0501069841	SLUICE VALVE SUPPORT		01
02	0503010371	5/16" X 1" BOLT		02
03	0503011444	SPRING WASHER		02
04	0503010337	5/16" NUT		02
05	0511059094	SHAFT BEARING THREADED		01



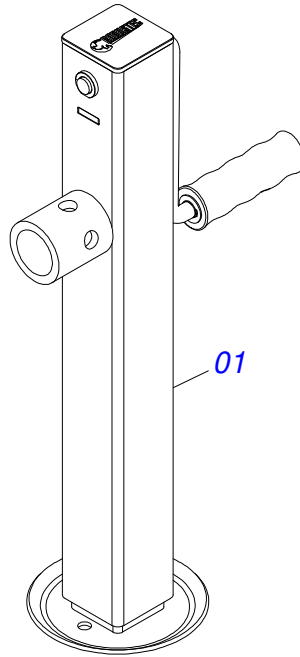
Item	Code	Description	See page	QT
01	0501052176	SLEEVE UNIVERSAL JOINT	01	01
02	0501050265	UNIVERSAL JOINT	01	01
03	0501050333	1-40 TERMINAL WITH HITCH	01	01
04	0502010565	2-40 TERMINAL W/ SH 1.5"/1.5"	01	01
05	0503012069	ADAPTER FOR BUSHING PROTECT	01	01
06	0521013800	16" X 1.4" SQUARE SLEEVE	01	01
07	0503010836	CARDAN CROSSPIECE	02	01
08	0503011069	0.4" X 2.8" SPRING PIN	01	01
09	0503010510	0.2" X 2.6" SPRING PIN	01	01
10	0501052177	AXLE UNIVERSAL JOINT	01	01
11	0501052178	UNIVERSAL JOINT	01	01
12	0502011611	9-40 TERMINAL	01	01
13	0502010566	3-40 TERMINAL WITH SH 1.2"/1.2"	01	01
14	0503012070	ADAPTER FOR AXLE PROTECTION	01	01
15	0521013801	1.2" X 15.7" SQUARE SHAFT	01	01
16	0503010361	SPRING PIN	01	01
17	0503010756	0.2" X 2.4" SPRING PIN	01	01
18	0501052179	PROT/SLEEVE UNIVERSAL JOINT	01	01
19	0501052180	PROT/AXLE UNIVERSAL JOINT	01	01
20	0503012277	PROTECTION ASSY	01	01
21	0503012279	PROTECTION FOR UNIV JOINT AND AXLE	01	01
22	0503012278	PROTECTION FOR UNIV JOINT SLEEVE	01	01
23	0503012023	CHAIN FOR PROTECTION	02	01
24	0502010563	1-40 STRIATED 1.3/8" TERMINAL	01	01
25	0521010638	0.5" X 3.3" QUIC HITCH COUPL SHAFT	01	01
26	0503030518	0.5"X1.0"X 0.1" COMPRESSION SPRING	01	01
27	0503010838	0.1" X 0.8" SPRING PIN	01	01



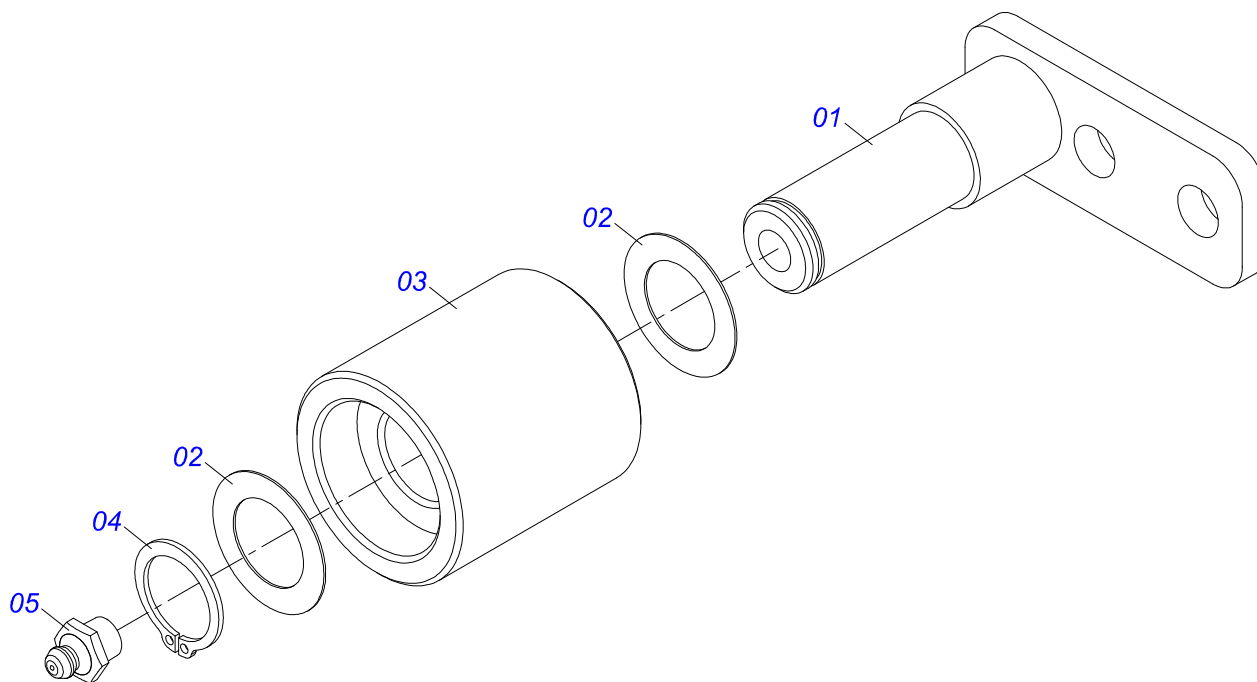
Item	Code	Description	See page	QT
01	0501052166	SLEEVE UNIVERSAL JOINT		01
02	0501051718	UNIVERSAL JOINT		01
03	0502010558	4-20 TERMINAL WITH ROLES		02
04	0502011426	2-20 TERMINAL		01
05	0521013798	0.9" X 35" SQUARE SLEEVE		01
06	0503010835	CARDAN CROSSPICE		02
07	0503010839	03"X 0.6" SPRING PIN		01
08	0501052167	AXLE UNIVERSAL JOINT		01
09	0501051720	UNIVERSAL JOINT		01
10	0502011427	3-20 TERMINAL		01
11	0521013795	0.9" X 35" SQUARE SHAFT		01
12	0503010301	0.3" X 1.8" SPRING PIN		01
13	0501052168	PROT/SLEEVE UNIVERSAL JOINT		01
14	0501052169	PROT/AXLE UNIVERSAL JOINT		01
15	0503012271	PROTECTION ASSY		01
16	0503012272	PROTECTION FOR UNIV JOINT SLEEVE		01
17	0503012273	PROTECTION FOR UNIV JOINT AND AXLE		01
18	0503012023	CHAIN FOR PROTECTION		02



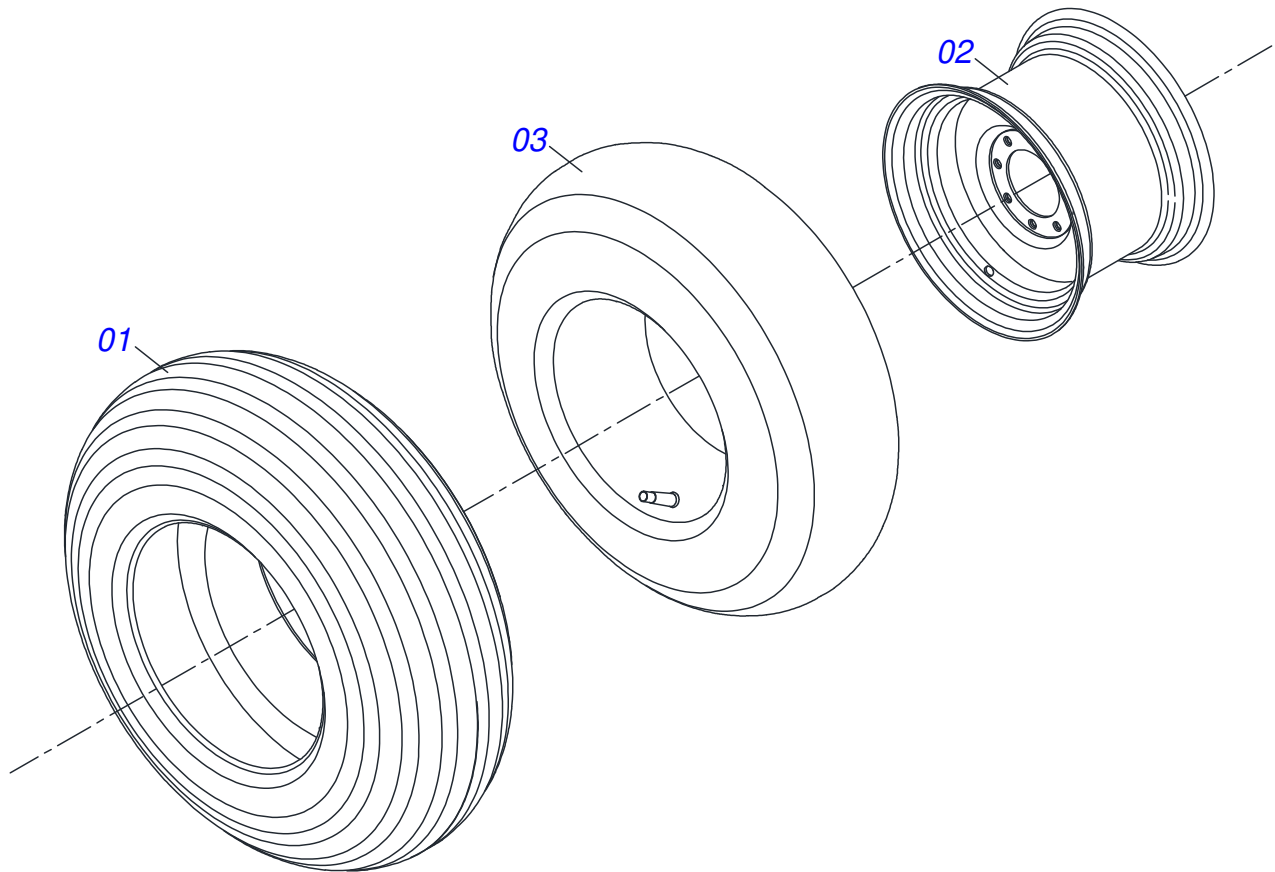
Item	Code	Description	See page	QT
01	0501068989	COUPLING SHAFT		01
03	0503031035	HAIR PIN		01



Item	Code	Description	See page	QT
01	0503062157	HEADER JACK	27	01



Item	Code	Description	See page	QT
01	0501067692	BELT TENSIONER BODY		01
02	0511015098	FLAT WASHER		02
03	0511017041	TENSIONER ROLD		01
04	0503010302	501019 SEAL RING		01
05	0503010002	1800 GREASE FITTING		01



Item	Code	Description	See page	QT
01	0503010858	CANVAS TIRE		01
02	0503011468	WEEL		01
03	0503010860	AIR CHAMBER 11L 15		01



civemasa

Technical Publications | Elaboration and Revision

LORENA ROCHA ALVES

www.civemasa.com.br

