

OVERFLOW TRUCK

**RACC 10500 CENTRALIZED
HEADER/1,90/VEH/RAQ/REINLESS**

Code: 0501093221
Series: S-0118
Revision: 00
Revision Date: FEVEREIRO/2022

**PARTS
CATALOGUE**

CIVEMASA

A solid orange horizontal bar located at the top left of the page.

PRODUCTS

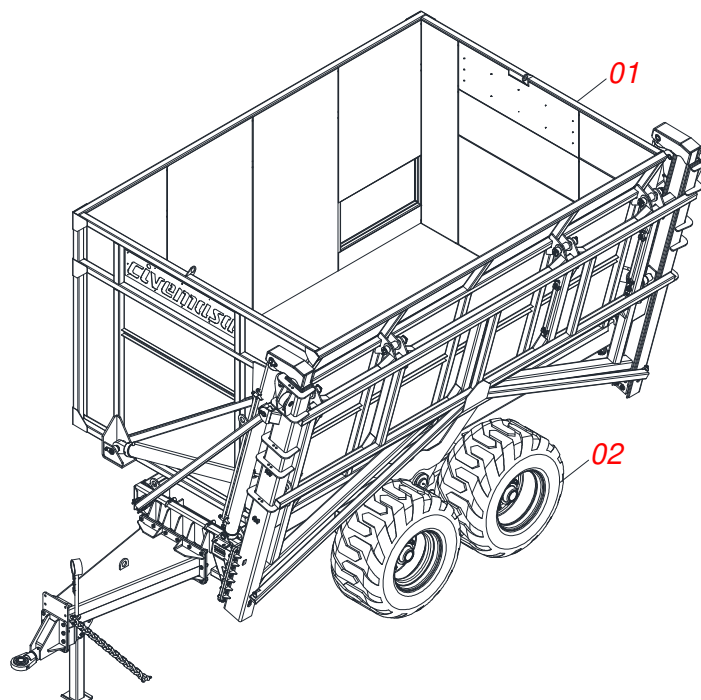
Code	Description
0121770002	RACC 10500 C 1,90 RAQ SEM FREIO VEH/MF

ATTENTION: IMPORTANT

CIVEMASA reserves the right to improve and/or modify the technical features of its products, without obligation to do the same with those products already sold and without prior knowledge of the dealer or the consumer. The photos are only illustrative.

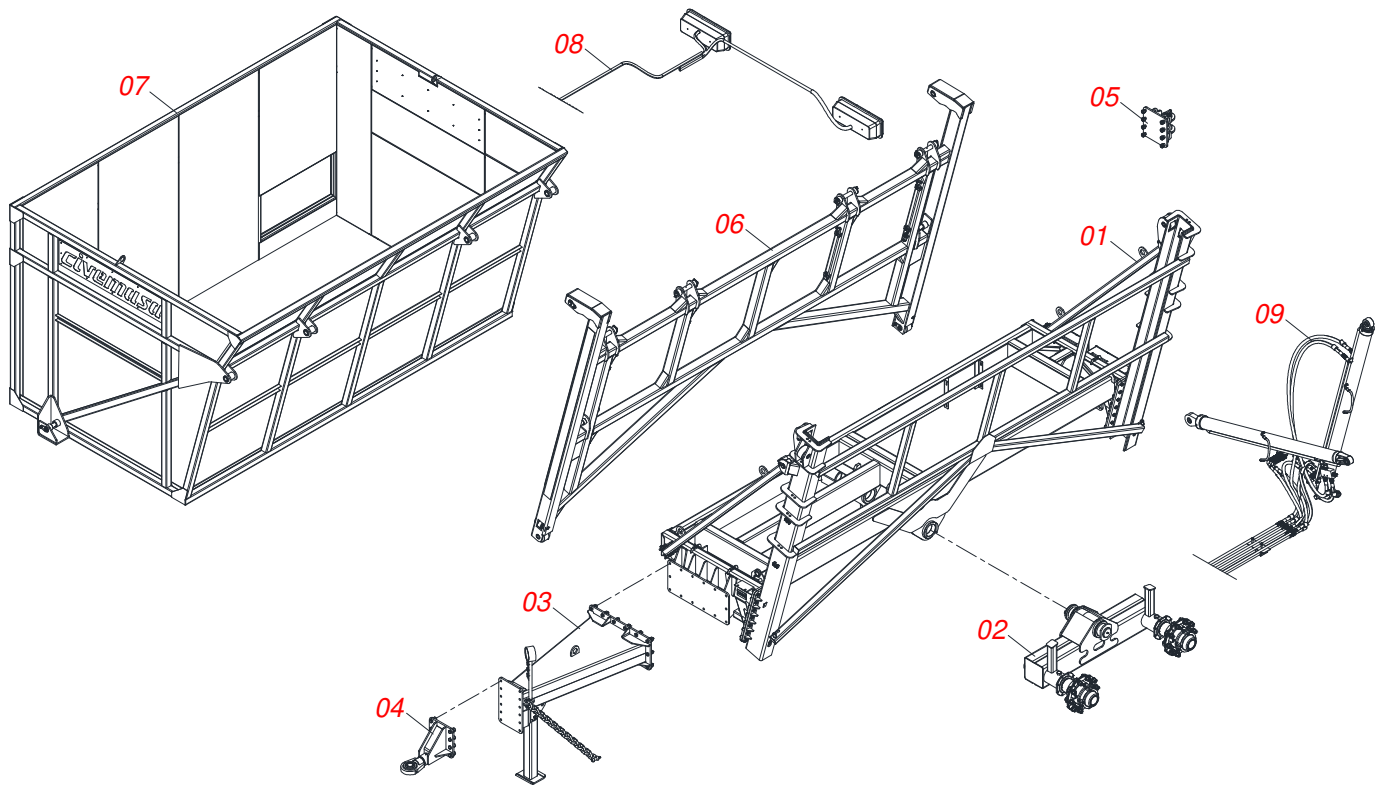
INDEX

0121770002	RACC 10500 C 1,90 RAQ REINLESS VEH/MF	1
0521047806	ASSY FRAME	2
0521051462	SEMIFINISHED FRAME	3
0511059750	FRAME 1,90	4
0521046973	RIGHT AND LEFT BELL CRANK	5
0521050366	LEFT AND RIGHT BALANCE SHEET	6
0511045858	WHEEL HUB ASSY WITH BRAKE	7
0511049578	FULL CENTRAL FLANGE HEADER	8
0511048171	HITCH FRONT RACKET	9
0501057851	POINT HITCH WITH ASSY JOINT	10
0511048421	HITCH REAR RACKET	11
0511047991	LIFT ASSY	12
0521047805	FULL BASKET	13
0501059627	SISTEM ELECTRICAL	14
0511059781	HYDRAULIC SYSTEM ELECTRO-HYDRAULIC VALVE	15
0531051825	COMPLETE ELECTRO-HYDRAULIC VALVE	16
0531051777	CYLINDER FANLIGHT WITH VALVE	17
0531051778	TIP CYLINDER 76.2 X 101.6 X 2100 X 1640	18
0501053835	FEMALE QUICK COUPLER	19
0501053834	MALE QUICK COUPLER	20
0511059779	ELECTRO-HYDRAULIC HOSE SET	21
0531051602	LIFTING CYLINDER WITH VALVE	22
0531051603	LIFTING CYLINDER 76.2 X 101.6 X 2260 X 2010	23
0503061865	WHEELS AND TIRE	24

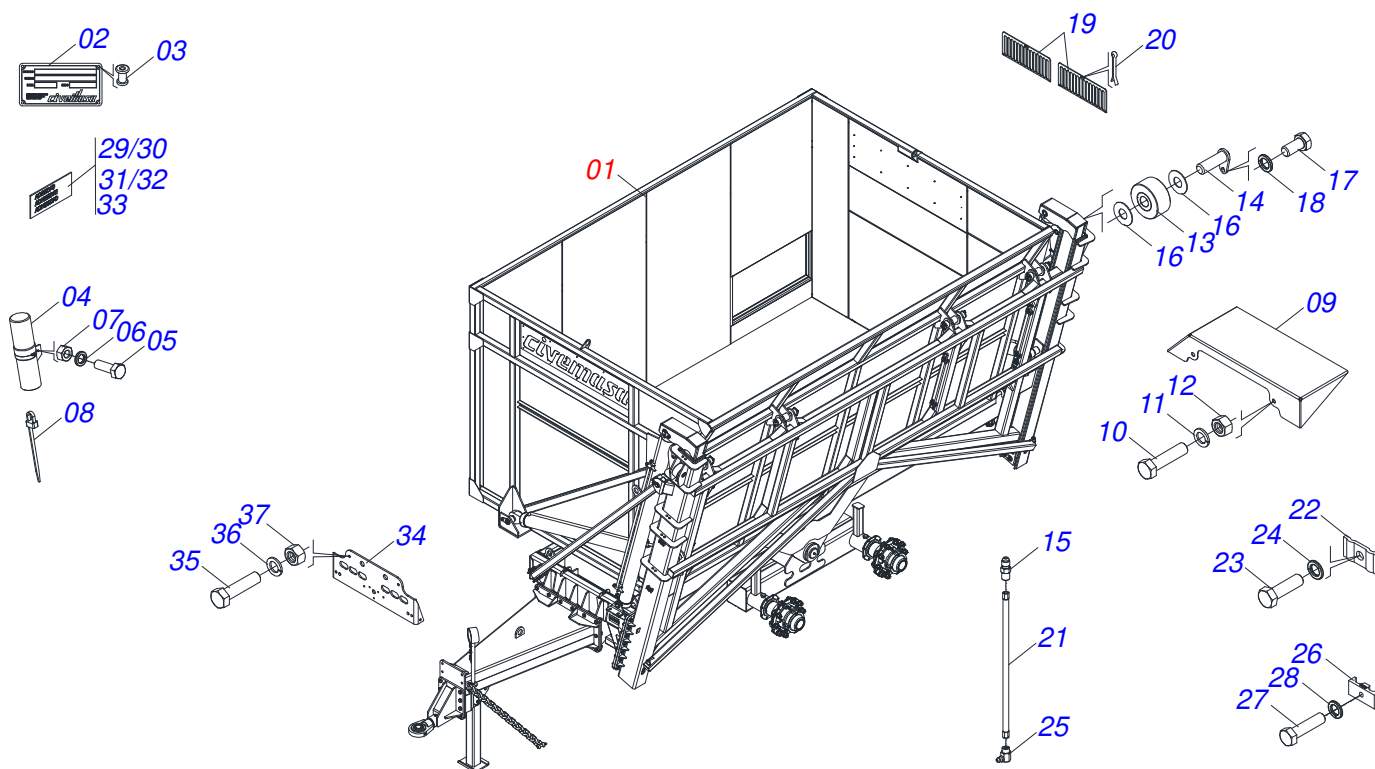


Item	Code	Description	See page	QT
01	0521047806	ASSY FRAME	2	01
02	0503061865	WHEELS AND TIRE	24	04

ASSY FRAME

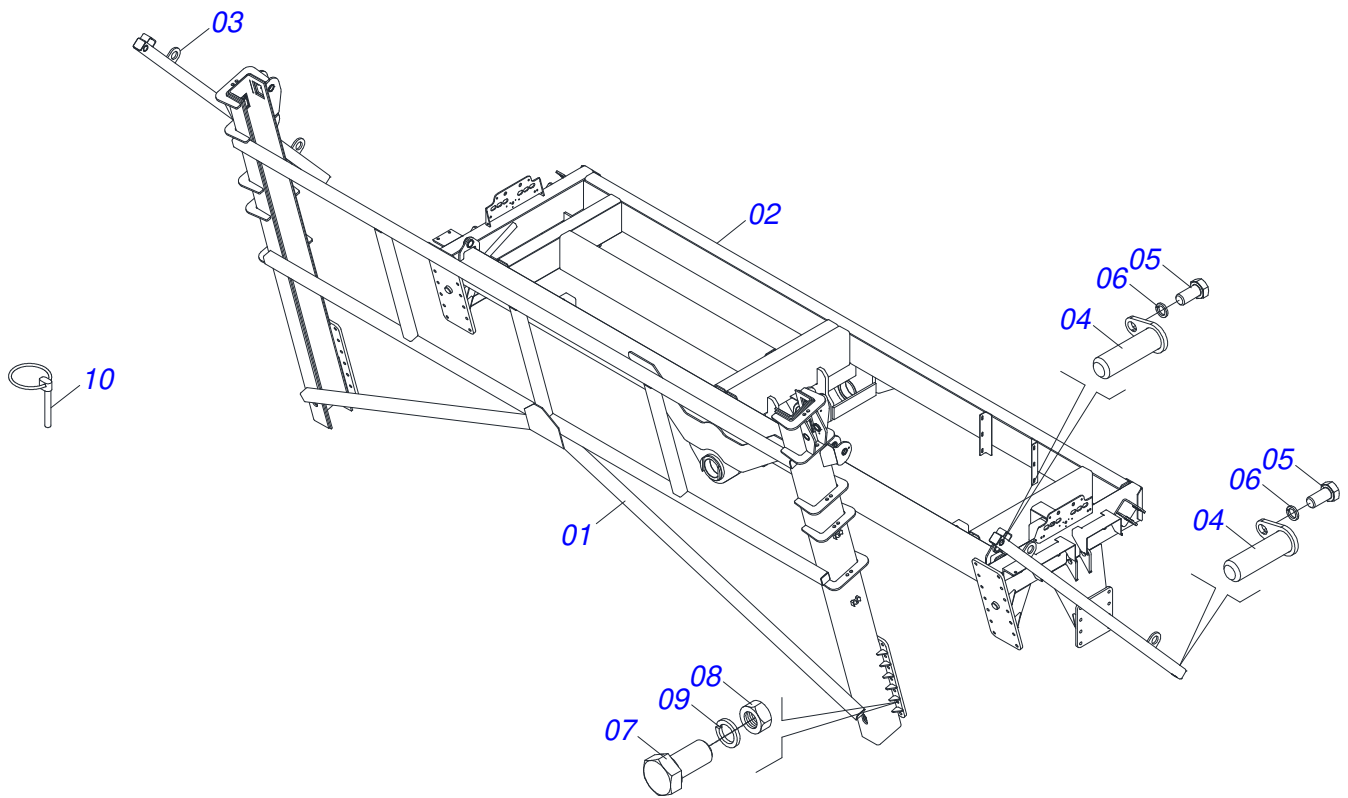


Item	Code	Description	See page	QT
01	0521051462	SEMIFINISHED FRAME	3	01
02	0521046973	RIGHT AND LEFT BELL CRANK	5	02
03	0511049578	FULL CENTRAL FLANGE HEADER	8	01
04	0511048171	HITCH FRONT RACKET	9	01
05	0511048421	HITCH REAR RACKET	11	01
06	0511047991	LIFT ASSY	12	01
07	0521047805	FULL BASKET	13	01
08	0501059627	SISTEM ELECTRICAL	14	01
09	0511059781	HYDRAULIC SYSTEM ELECTRO-HYDRAULIC VALVE	15	01

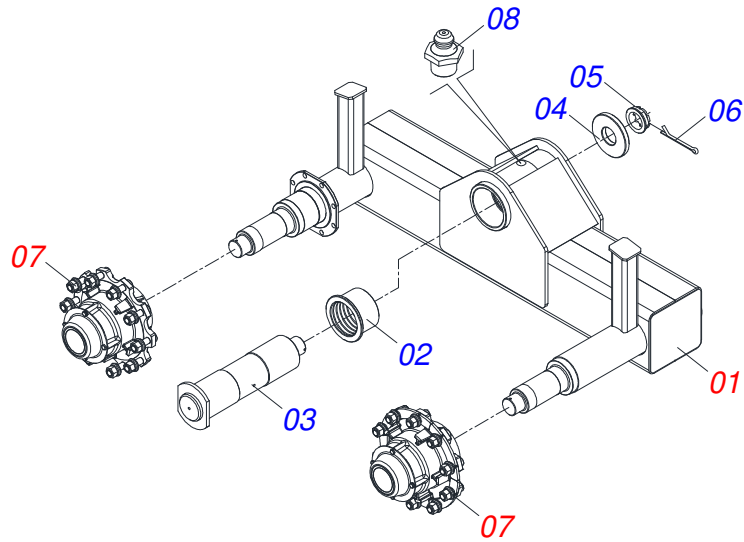


Item	Code	Description	See page	QT
01	0511059750	FRAME 1,90	4	01
02	0503034004	ALUMINUM IDENTIFICATION LABEL		01
03	0503010001	3.2 X 5.5 RIVET		04
04	0503060100	OPERATOR'S MANUAL STORAGE TUBE		01
05	0503010371	5/16" X 1" BOLT		01
06	0503010179	5/16" ZN SPRING WASHER		01
07	0503010337	5/16" NUT		01
08	0503010267	NYLON CLAMP		01
09	0581014621	REAR PANEL PROTECTION		01
10	0503010256	3/8" X 3/4" BOLT		02
11	0503010025	3/8" SPRING WASHER		02
12	0503010026	3/8" NUT		02
13	0501110526	LOWER PULLEY		04
14	0511067985	PIN UPPER PULLEY		04
15	0503012776	1/8" NF NIPPLE		08
16	0551014871	FLAT WASHER		08
17	0503010834	1/2 X 1 BOLT		04
18	0503010019	1/2" SPRING WASHER		04
19	0561014113	PROTECTION BOX HEADLIGHT		02
20	0503010257	1/8" X 1" COTTERPIN		01
21	0511068779	GREASE TUBE GUIDE		04
22	0531011180	UPPER BODY CLIP		04
23	0503010237	3/8" X 1" BOLT		04
24	0503010025	3/8" SPRING WASHER		04
25	0503010004	1890 GREASE FITTING		04
26	0502012623	UPPER BODY HOSE CLAMP 3/4		02
27	0503010849	3/8" X 1-1/2" BOLT		02
28	0503010025	3/8" SPRING WASHER		02
29	0503061866	SECURITY BADGES SET		01
30	0503033647	APPROVED BADGE		01
31	0503034535	BADGE		03

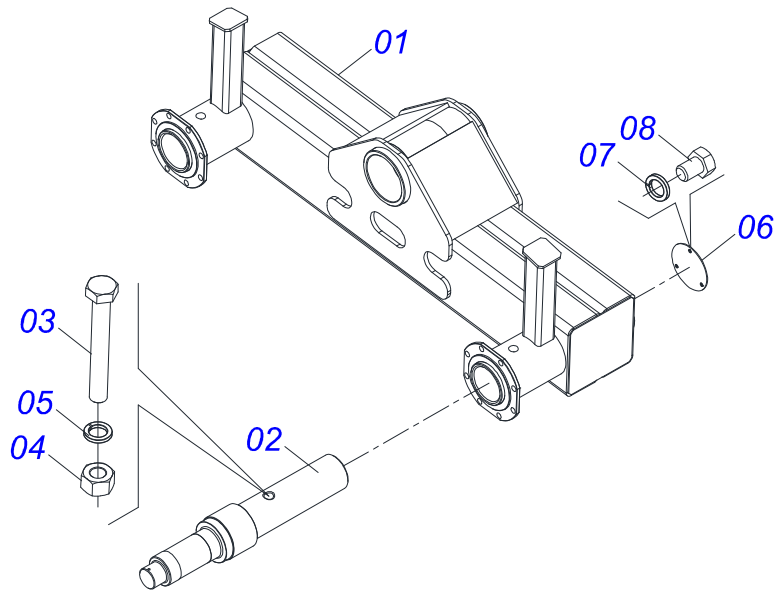
Item	Code	Description	See page	QT
32	0503033239	ADHESIVE		03
33	0503035495	COLOR HANDLE ADHESIVE LABEL		01
34	0551010708	HYDRAULIC PANEL		02
35	0501011643	3/8 X 1"BOLT		04
36	0503010025	3/8" SPRING WASHER		04
37	0503010026	3/8" NUT		04
38	3914303047	LOCTITE 567 ADHESIVE		0,125Lts
39	3402301204	OIL HYDRAULIC		48Lts



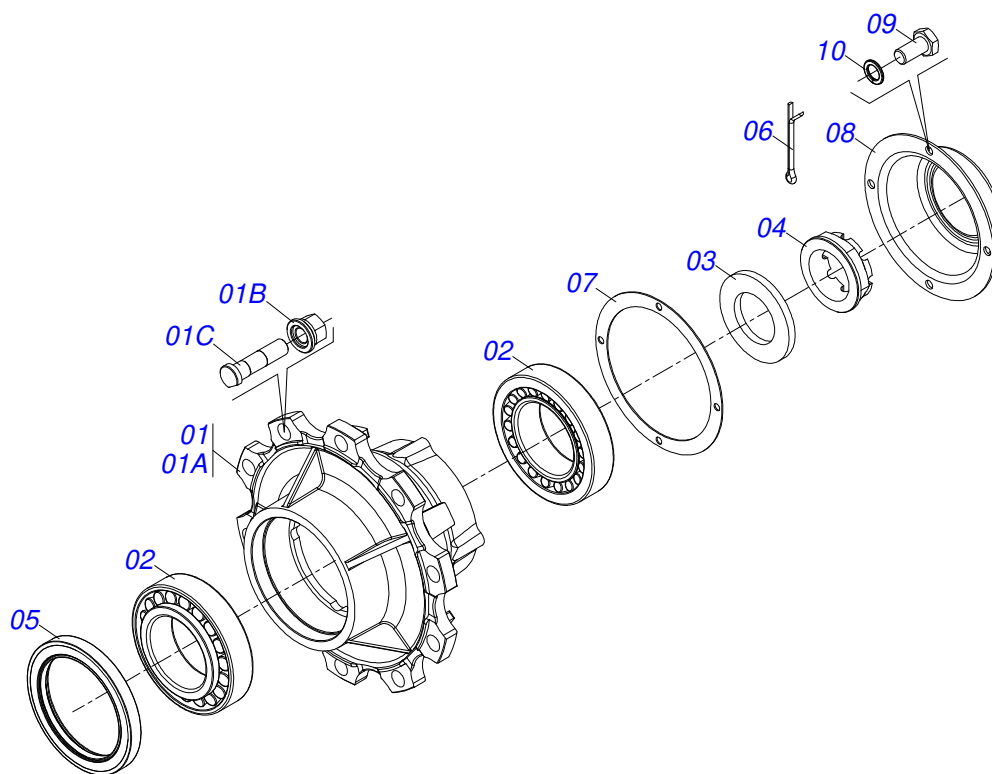
Item	Code	Description	See page	QT
01	0521067272	CENTER FRAME		01
02	0521067265	FRAME BASE		01
03	0521067273	FRENCH HAND		02
04	0521065778	AXLE		04
05	0503010834	1/2 X 1 BOLT		04
06	0503010019	1/2" SPRING WASHER		04
07	0501010125	3/4" X 2-1/2" BOLT		28
08	0503011255	3/4" LOCK NUT		28
09	0503010023	3/4" SPRING WASHER		28
10	0503030430	7/16 X 2" PIN LOCK		02



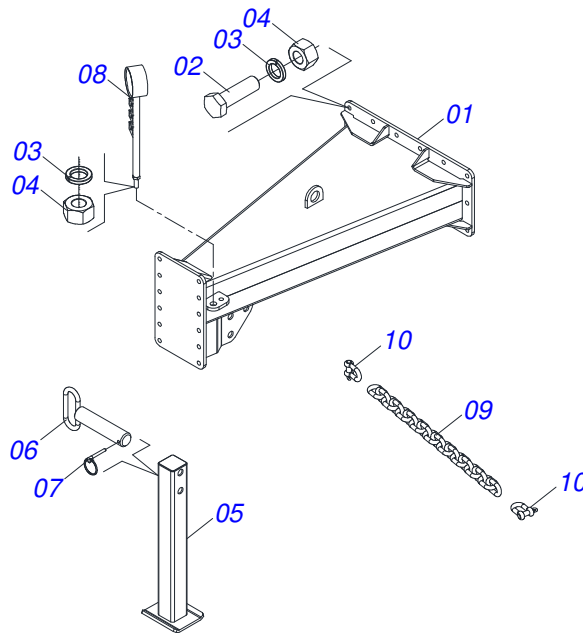
Item	Code	Description	See page	QT
01	0521050366	LEFT AND RIGHT BALANCE SHEET	6	01
02	0531016429	BUSHING		02
03	0521062517	PIVOT SHAFT		01
04	0551012036	FLAT WASHER		01
05	0581013528	FLANGED NUT		01
06	0503012213	1/4" COTTERPIN		01
07	0511045858	WHEEL HUB ASSY WITH BRAKE	7	02
08	0503010002	1800 GREASE FITTING		01



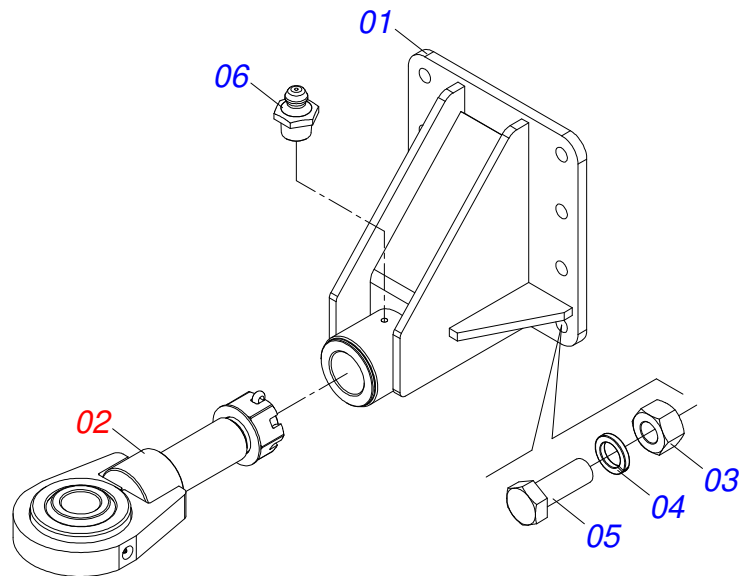
Item	Code	Description	See page	QT
01	0521067334	LEFT/RIGHT BALANCE BODY		01
02	0581013527	CARRYING WHEELS AXLE		02
03	0501010219	1" X 7-1/2" BOLT		02
04	0501010059	1 UNC HEX NUT		02
05	0503010012	1" SPRING WASHER		02
06	0551010696	CARRYING WHEELS AXLE COVER		02
07	0503010025	3/8" SPRING WASHER		06
08	0503010206	3/8" X 1/2" BOLT		06



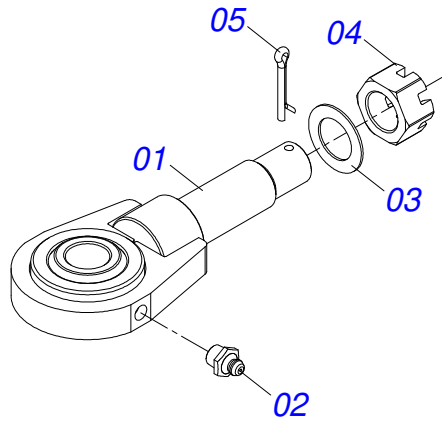
Item	Code	Description	See page	QT
01	0501110771	CARRYING WHEEL HUB		01
01A	0502012462	WHEEL HUB		01
01B	0503014048	22 X 1.5 HEX NUT		10
01C	0503014049	M22 X 1,5 X 89/97" BOLT		10
02	0503010118	32218 BEARING		02
03	0531019986	64 X 110 X 9.5 FLAT WASHER		01
04	0502040080	FLANGE NUT R.2.1/2 UN		01
05	0503013541	RETAINER		01
06	0503012213	1/4" COTTERPIN		01
07	0503013548	JOINT CORK		01
08	0503013549	HUB COVER		01
09	0503013546	BOLT SX MA5,8 M10X1,5X20ZA DI		04
10	0503013542	M10 SPRING WASHER		04



Item	Code	Description	See page	QT
01	0521062400	CENTRAL FLANGE HEADER		01
02	0501010125	3/4" X 2-1/2" BOLT		14
03	0503010023	3/4" SPRING WASHER		15
04	0503010014	3/4" NUT		15
05	0521060563	FRAME STRUT		01
06	0521060566	PIN LOCK JACK		02
07	0503030085	LOCK PIN		02
08	0521061379	HOSE HOLDER		01
09	0503014120	CHAIN		01
10	0503014321	CABLE STEEL SHACKLE		02

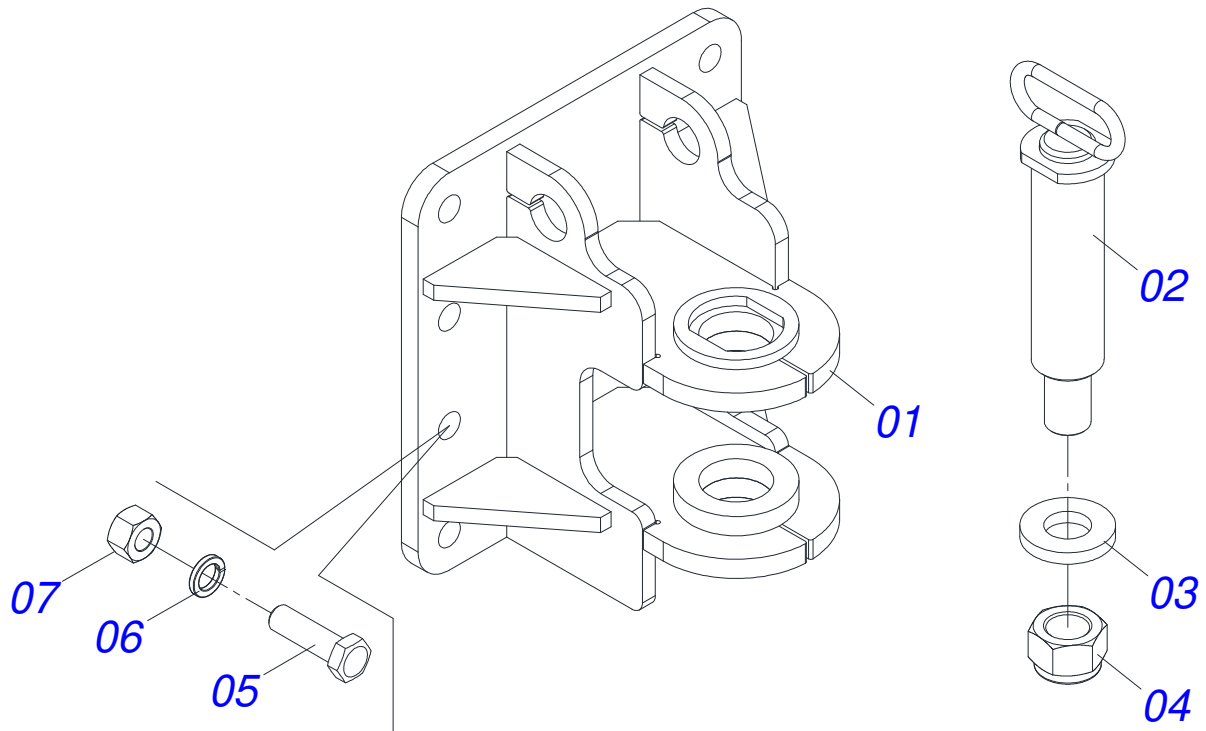


Item	Code	Description	See page	QT
01	0521061202	HITCH FRONT RACKET		01
02	0501057851	POINT HITCH WITH ASSY JOINT	10	01
03	0503010014	3/4" NUT		08
04	0503010023	3/4" SPRING WASHER		08
05	0501010098	3/4" UNC BOLT		08
06	0503010002	1800 GREASE FITTING		01



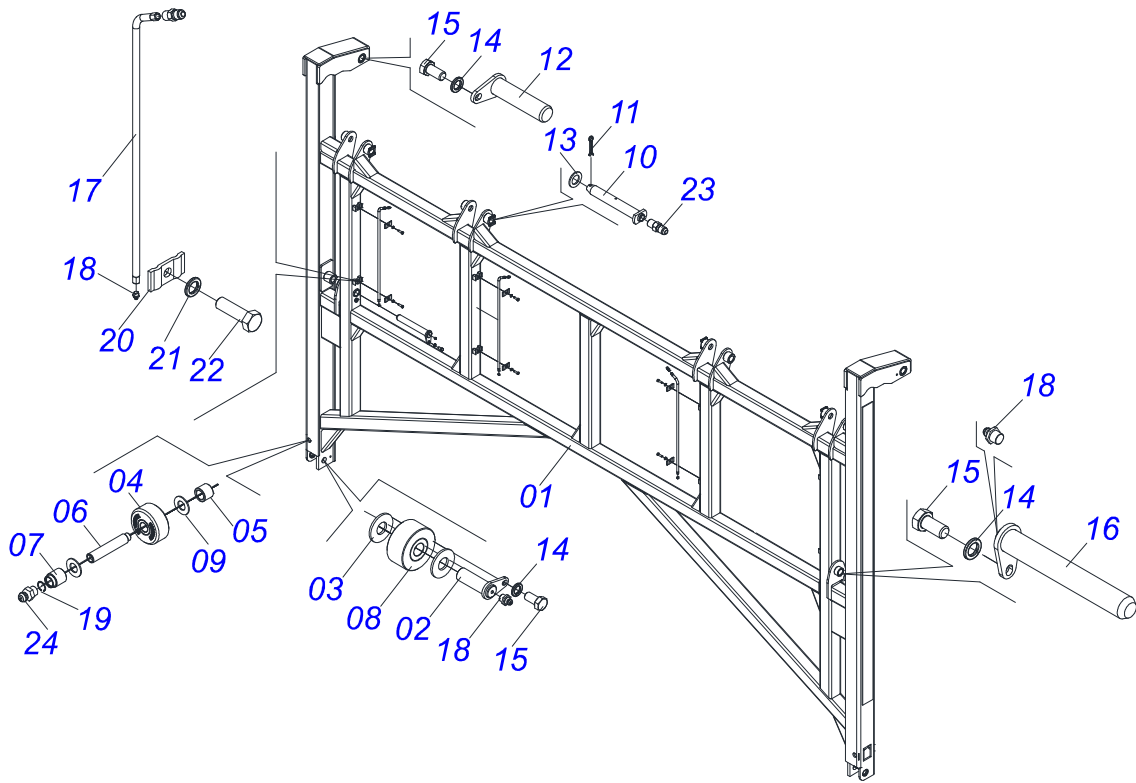
Item	Code	Description	See page	QT
01	0511069038	POINT COUPLING		01
02	0503010002	1800 GREASE FITTING		01
03	0551016955	FLAT WASHER		01
04	0503012809	2" CASTLE NUT		01
05	0503010073	3/8 X 3-1/2 COTTERPIN		01

HITCH REAR RACKET

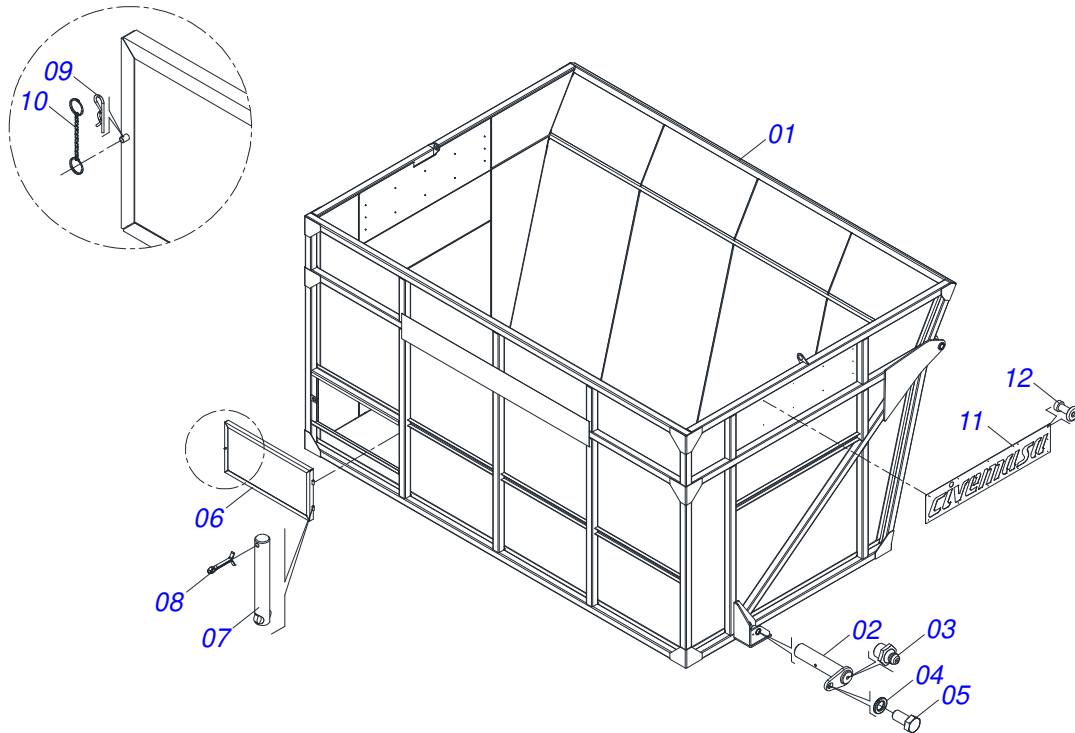


Item	Code	Description	See page	QT
01	0521061456	HITCH REAR RACKET		01
02	0511064850	HITCH PIN		01
03	0521013076	FLAT WASHER		01
04	0503010817	1.1/4" SELF LOCKING NUT		01
05	0501010125	3/4" X 2-1/2" BOLT		08
06	0503010023	3/4" SPRING WASHER		08
07	0503010014	3/4" NUT		08

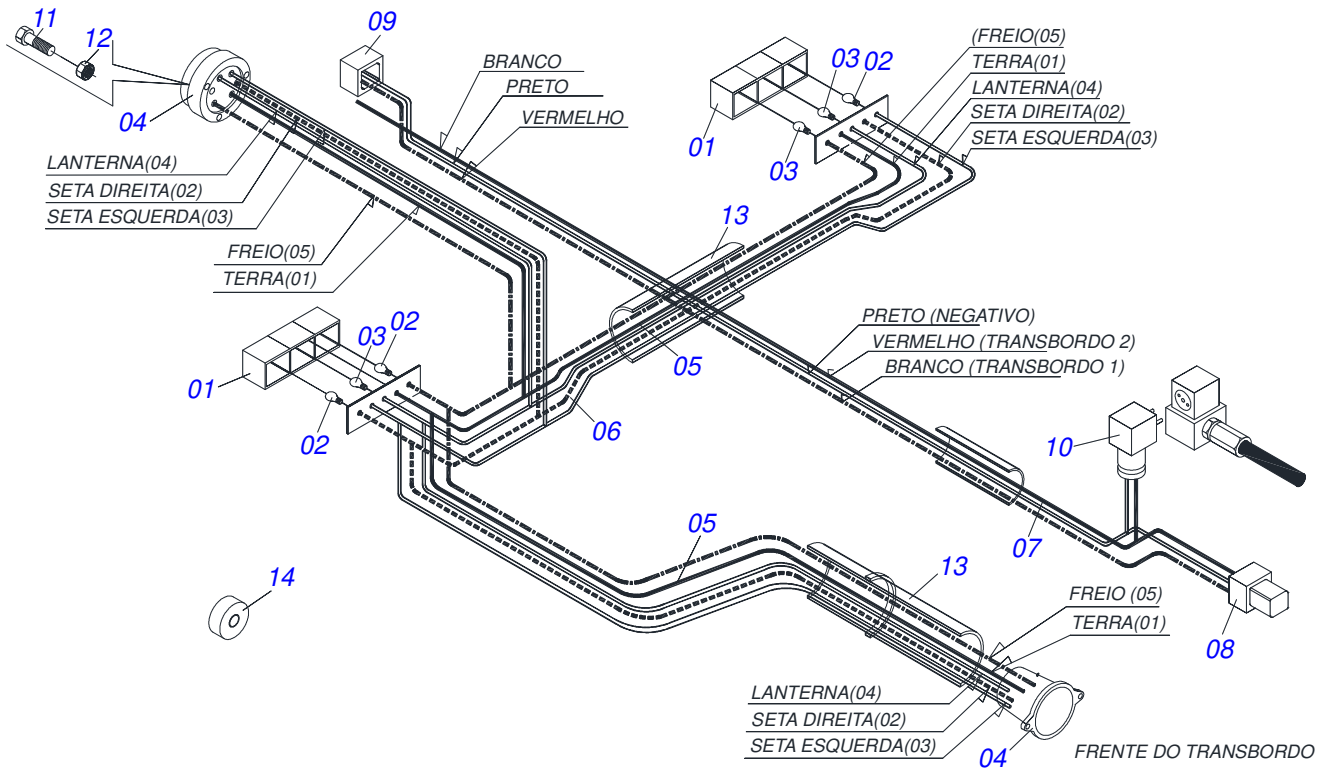
LIFT ASSY



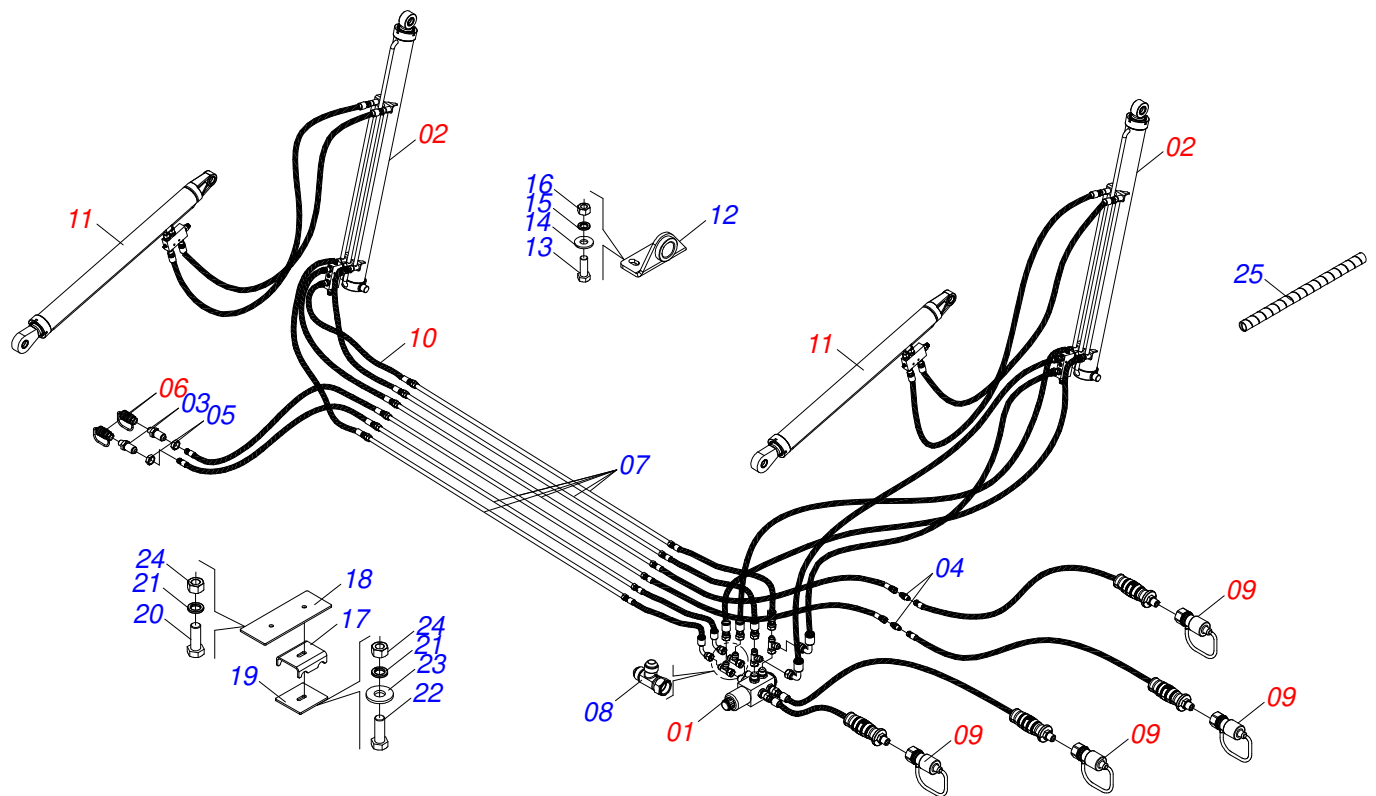
Item	Code	Description	See page	QT
01	0511069074	LIFT		01
02	0511068766	PIN POULIE 38,1 X 110		02
03	0551015940	FLAT WASHER		04
04	0501110540	PULLEY SIDE ELEVATION		02
05	0551014873	SLEEVE		02
06	0551014860	PIN LOWER SIDE LIFT		02
07	0551014874	SLEEVE		02
08	0501110526	LOWER PULLEY		02
09	0551014872	FLAT WASHER		04
10	0511068336	PIVOT SHAFT SKEP		04
11	0503010534	3/8 X 2-1/2 COTTERPIN		04
12	0511068767	PIN FIXER		02
13	0501012916	FLAT WASHER 38,50 X 66 X 4,75 ZN		04
14	0503010019	1/2" SPRING WASHER		06
15	0503010834	1/2 X 1 BOLT		06
16	0511067983	PIVOT SHAFT		02
17	0511068768	GREASE TUBE LIFT		04
18	0503010002	1800 GREASE FITTING		08
19	0503014307	SEAL RING		02
20	0531011180	UPPER BODY CLIP		08
21	0503010025	3/8" SPRING WASHER		08
22	0503010751	C3/8" X 1.1/4" HEX BOLT G.5		08
23	0503012776	1/8" NF NIPPLE		08
24	0503010691	1/4" GREASE FITTING		02



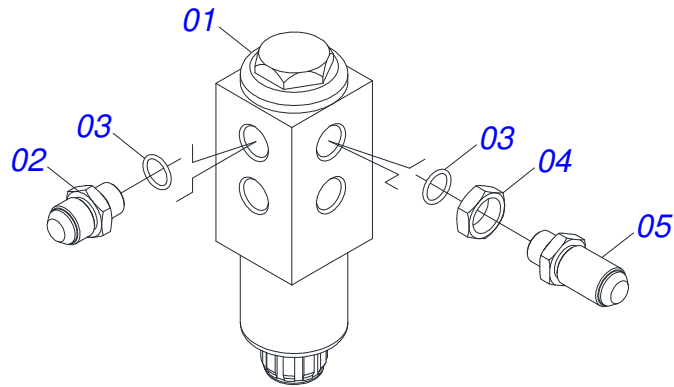
Item	Code	Description	See page	QT
01	0521068297	BASKET		01
02	0511067982	PIVOT SHAFT BOX CYLINDER		02
03	0503010002	1800 GREASE FITTING		02
04	0503010019	1/2" SPRING WASHER		02
05	0503010834	1/2 X 1 BOLT		02
06	0511069194	COVER		01
07	0521010553	0.5" X 3" COUPLING SHAFT		02
08	0503010257	1/8" X 1" COTTERPIN		02
09	0503030168	HAIR PIN		01
10	0503011423	RING		01
11	0561016687	LOGO BRAND CIVEMASA BASKET		02
12	0503013356	RIVET POP 3,2 X 10,0		24



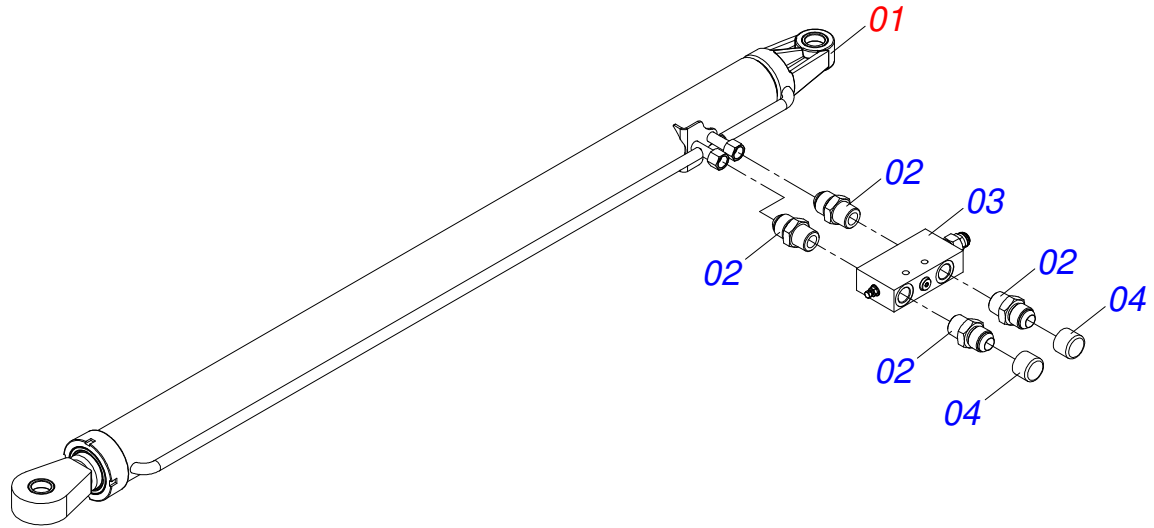
Item	Code	Description	See page	QT
01	0503032811	FLASHLIGHT	02	
02	0503032812	1141 12V LAMP	04	
03	0503032813	67 12V 5W LAMP	02	
04	0503062399	ELECTRIC CONNECTION	01	
05	0503013224	CABLE PP	12M	
06	0503015497	CABLE PP	03M	
07	0503014046	CABLE PP	11M	
08	0503013789	CONNECTOR 4V/1,5MM	01	
09	0503013790	FEMALE CONNECTOR 4V/1,5MM	01	
10	0503013566	PARKER PLUG	01	
11	0503017866	3/16" X 1,1/2" BOLT	03	
12	0503010667	3/16" NUT	03	
13	3505151602	TUBE	0,4M	
14	0503014461	INSULATION TAPE 19MM X 20MT	01Rolo	



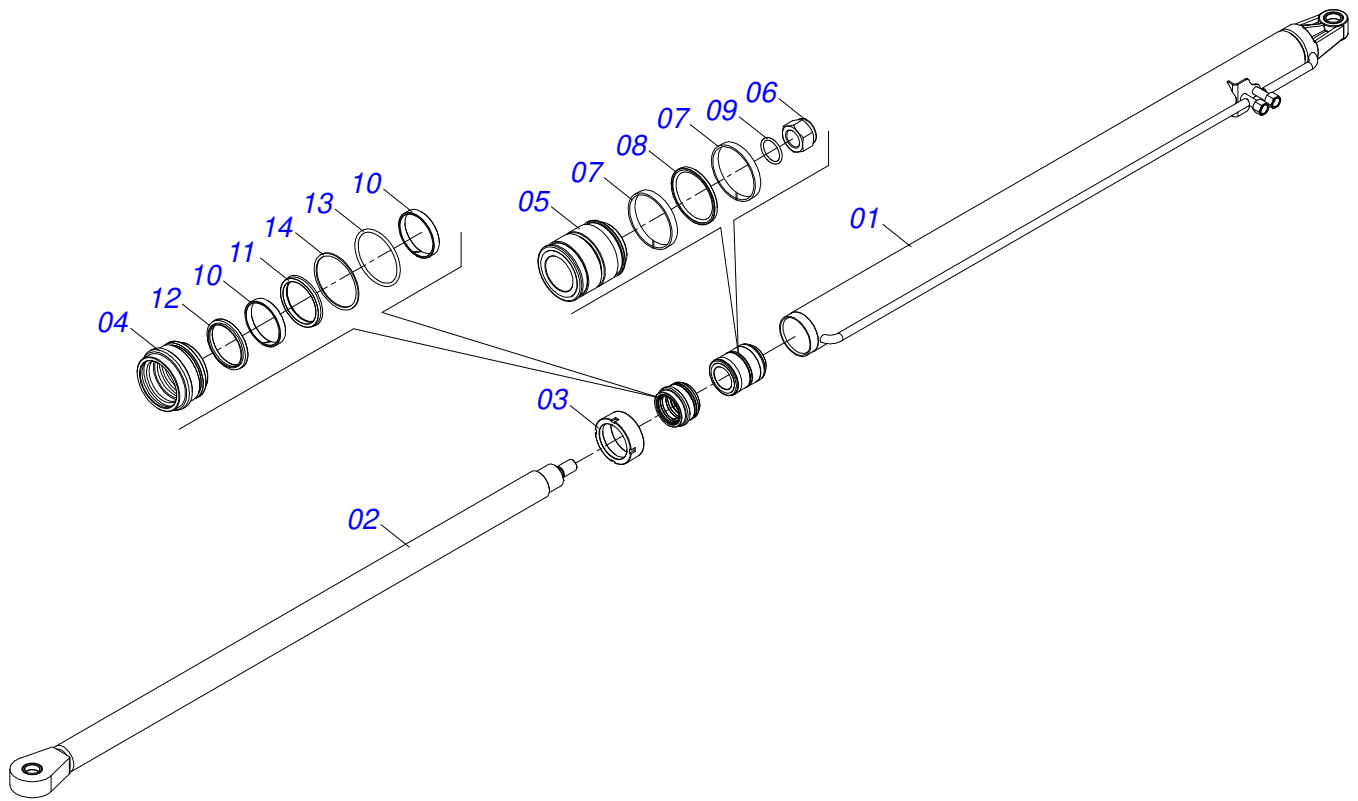
Item	Code	Description	See page	QT
01	0531051825	COMPLETE ELECTRO-HYDRAULIC VALVE	16	01
02	0531051777	CYLINDER FANLIGHT WITH VALVE	17	02
03	0561011869	R.1.1/16 UNF X 1/2 NPT X 75,5 NIPPLE		02
04	0541016751	NIPPLE		02
05	0541016752	1.1/4"X 1.1/16" UN X 11 NUT HEX		04
06	0501053835	FEMALE QUICK COUPLER	19	02
07	0511068699	TUBE COMMUNICATION		06
08	0503013534	ADAPTER T TEE		04
09	0501053834	MALE QUICK COUPLER	20	04
10	0511059779	ELECTRO-HYDRAULIC HOSE SET	21	01
11	0531051602	LIFTING CYLINDER WITH VALVE	22	02
12	0511068514	BEARING		02
13	0503010232	5/8" X 1.3/4" BOLT		04
14	0501012140	FLAT WASHER		04
15	0503010027	5/8" SPRING WASHER		04
16	0503010013	5/8" NUT		04
17	0561013211	FIXER LOWER TUBING		02
18	0551015937	FIXER PLATE PIPING		02
19	0561013212	PLATE LOWER FIXER		02
20	0503011268	3/8" X 2-1/2" BOLT		02
21	0503010025	3/8" SPRING WASHER		04
22	0503011123	BOLT		02
23	0501010984	FLAT WASHER		02
24	0503010026	3/8" NUT		04
25	0503014278	MP100 PLASTIC PROTECTION SPRING FOR 3/4 HOSE		02



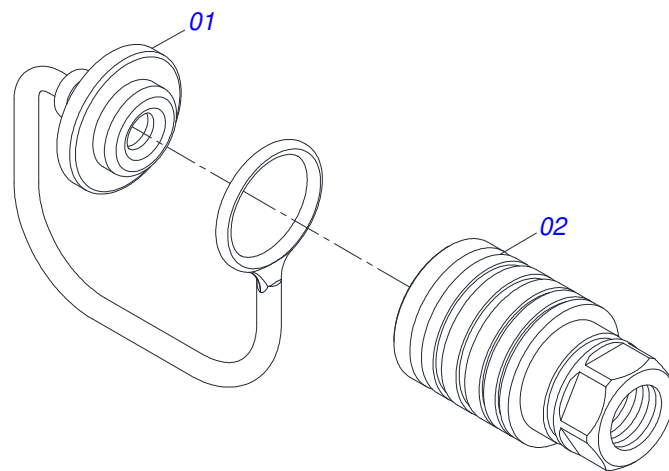
Item	Code	Description	See page	QT
01	0503015051	MWV VALVE		01
02	0561010527	NIPLE 1.1/16		04
03	0503010045	O'RING		06
04	0541016752	1.1/4"X 1.1/16" UN X 11 NUT HEX		02
05	0561010528	NIPLE 1.1 / 16		02



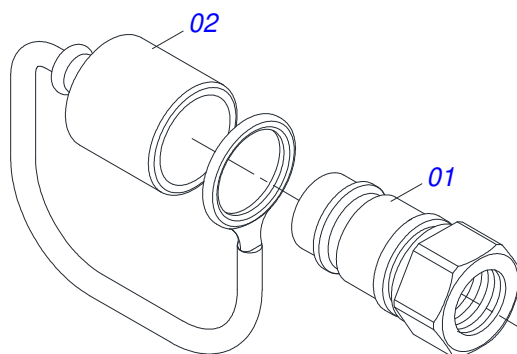
Item	Code	Description	See page	QT
01	0531051778	TIP CYLINDER 76.2 X 101.6 X 2100 X 1640	18	01
02	0581018285	NIPLE R1.1/16 UN X R3/4 NPT X 64		04
03	0503019881	VALVE		01
04	0503030388	PLUG N-005		02



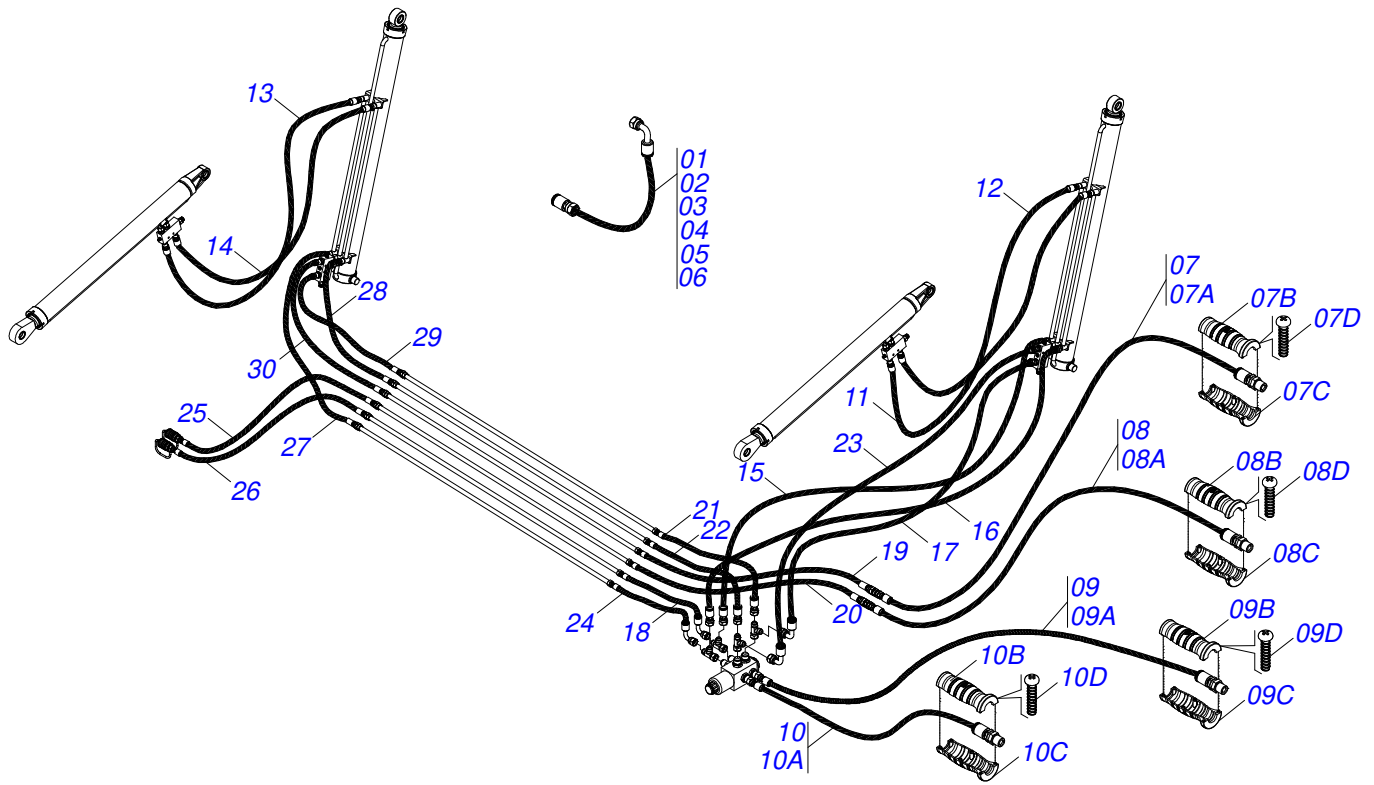
Item	Code	Description	See page	QT
01	0531062518	CASE 101,6 X 1950		01
02	0521060537	ROD CILINDER ROCKER		01
03	0541019606	MOBILE COVER		01
04	0551016445	RING SUPPORT		01
05	0551016446	101.6 X 63.5 PISTON		01
06	0503010817	1.1/4" SELF LOCKING NUT		01
07	0503010994	W2-4000-500 PK RING G.E		02
08	0503012725	GASKET		01
09	0503010345	2-218 N 3006-9B O'RING		01
10	0503013553	SEAL RING		02
11	0503013552	GASKET		01
12	0503012642	D-3000 SCRAPER RING		01
13	0503010338	2-342 N 3006-9B O'RING		01
14	0503011061	8-342 BACK-UP RING		01



Item	Code	Description	See page	QT
01	0503011883	QUICK CONNECTION COVER		01
02	0503011628	FEMALE QUICK COUPLER		01

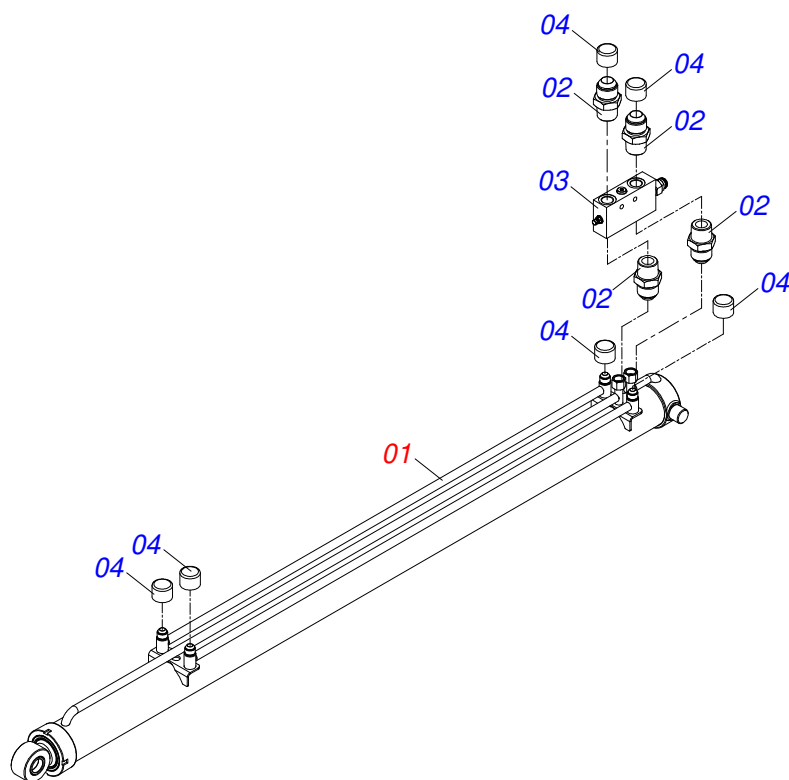


Item	Code	Description	See page	QT
01	0503011627	MALE QUICK COUPLER AGR 1/2 NPT		01
02	0503011882	MALE QUICK COUPLER CAP		01

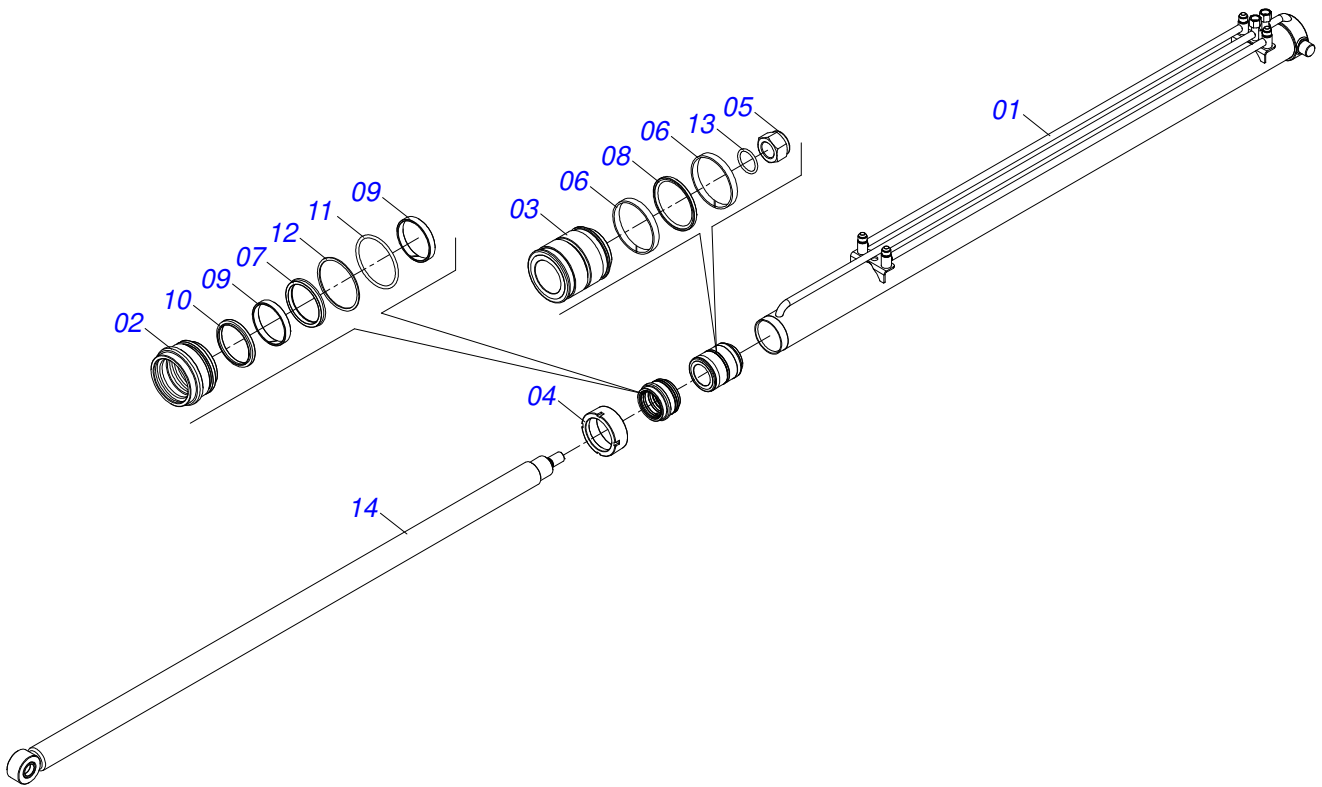


Item	Code	Description	See page	QT
01	0501080976	1/4 X 500 TR-TC HOSE		02
02	0501081464	1/4 X 700 TR-TC HOSE		01
03	0501082239	HOSE 1/4 X 625 TR-TC		01
04	0501080976	1/4 X 500 TR-TC HOSE		02
05	0501081464	1/4 X 700 TR-TC HOSE		01
06	0501082239	HOSE 1/4 X 625 TR-TC		01
07	0521058290	3/4 X 3300 TR-TM HOSE GRAY / RED		01
07A	0501081486	HOSE		01
07B	0503034489	HYDRAULIC HOSE GAUNTLET (GRAY)		01
07C	0503034495	HYDRAULIC HOSE GRIP (RED)		01
07D	0503018952	PLASTIC BOLT		06
08	0521058293	3/4 X 3300 TR-TM HOSE GRAY / BLUE		01
08A	0501081486	HOSE		01
08B	0503034489	HYDRAULIC HOSE GAUNTLET (GRAY)		01
08C	0503034494	HYDRAULIC HOSE GRIP (BLUE)		01
08D	0503018952	PLASTIC BOLT		06
09	0521058288	3/4 X 3300 TR-TM HOSE BLACK / RED		01
09A	0501081486	HOSE		01
09B	0503034492	HYDRAULIC HOSE GRIP (BLACK)		01
09C	0503034495	HYDRAULIC HOSE GRIP (RED)		01
09D	0503018952	PLASTIC BOLT		06
10	0521058289	3/4 X 3300 TR-TM HOSE BLACK / BLUE		01
10A	0501081486	HOSE		01
10B	0503034492	HYDRAULIC HOSE GRIP (BLACK)		01
10C	0503034494	HYDRAULIC HOSE GRIP (BLUE)		01
10D	0503018952	PLASTIC BOLT		06
11	0501080672	HOSE 3/4 X 2600 TR-TR		01
12	0501080672	HOSE 3/4 X 2600 TR-TR		01
13	0501080234	HOSE 3/4 X 2700 TR-TR		01
14	0501080234	HOSE 3/4 X 2700 TR-TR		01
15	0501081320	3/4 X 600 TR-TR HOSE		01

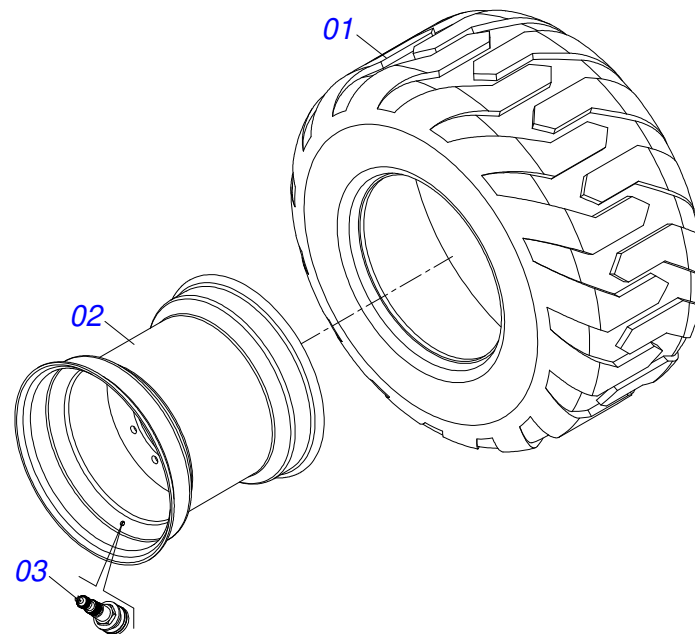
Item	Code	Description	See page	QT
16	0501081715	HOSE		01
17	0501081160	HOSE 3/4 X 1350 TR-TC		01
18	0501080028	3/4 X 1200 TR-TC HOSE		01
19	0501080235	3/4 X 850 TR-TR HOSE		01
20	0501081309	HOSE		01
21	0501081715	HOSE		01
22	0501081370	HOSE 3/4 X 430 TR-TR 1G138817		01
23	0501080136	3/4 X 1400 TR-TC 1G138642 HOSE		01
24	0501080164	3/4 X 1250 TR-TC HOSE		01
25	0501080130	HOSE		01
26	0501080019	3/4 X 1000 TR-TC HOSE		01
27	0501080232	3/4" X 1100 TR-TR HOSE		01
28	0501080232	3/4" X 1100 TR-TR HOSE		01
29	0501080180	3/4 X 1150 TR-TR HOSE		01
30	0501080180	3/4 X 1150 TR-TR HOSE		01



Item	Code	Description	See page	QT
01	0531051603	LIFTING CYLINDER 76.2 X 101.6 X 2260 X 2010	23	01
02	0581018285	NIPLE R1.1/16 UN X R3/4 NPT X 64		04
03	0503019881	VALVE		01
04	0503030388	PLUG N-005		06



Item	Code	Description	See page	QT
01	0531062442	CYLINDER LIFTING CASE		01
02	0551016445	RING SUPPORT		01
03	0551016446	101.6 X 63.5 PISTON		01
04	0541019606	MOBILE COVER		01
05	0503010817	1.1/4" SELF LOCKING NUT		01
06	0503010994	W2-4000-500 PK RING G.E		02
07	0503013552	GASKET		01
08	0503012725	GASKET		01
09	0503013553	SEAL RING		02
10	0503012642	D-3000 SCRAPER RING		01
11	0503010338	2-342 N 3006-9B O'RING		01
12	0503011061	8-342 BACK-UP RING		01
13	0503010345	2-218 N 3006-9B O'RING		01
14	0511068729	ROD CILINDER ELEVATION		01



Item	Code	Description	See page	QT
01	0503015483	TIRE 600/50-22.5 TL T404 168A8		01
02	0503013045	WHEEL ASSY		01
03	0503013999	VALVE		01



civemasa

Technical Publications | Elaboration and Revision

LORENA ROCHA ALVES

www.civemasa.com.br

