

OVERFLOW TRUCK

TAC 22000
TAC 22000

Code: 0501093184
Series: S-0520
Revision: 00
Revision Date: JUNE/2024

PARTS CATALOGUE

CIVEMASA




PRODUCTS

| Code | Working Width | Description |
|------------|---------------|-----------------------------------------------|
| 0120420384 | | TAC 22000 C/D 2,4/3,0 BOL SQDE 500/60R S-0520 |
| 0120420383 | | TAC 22000 C/D 2,4/3,0 BOL SQDE 600/50R S-0520 |
| 0120420382 | | TAC 22000 C/D 2,4/3,0 BOL SQDE S-0520 |

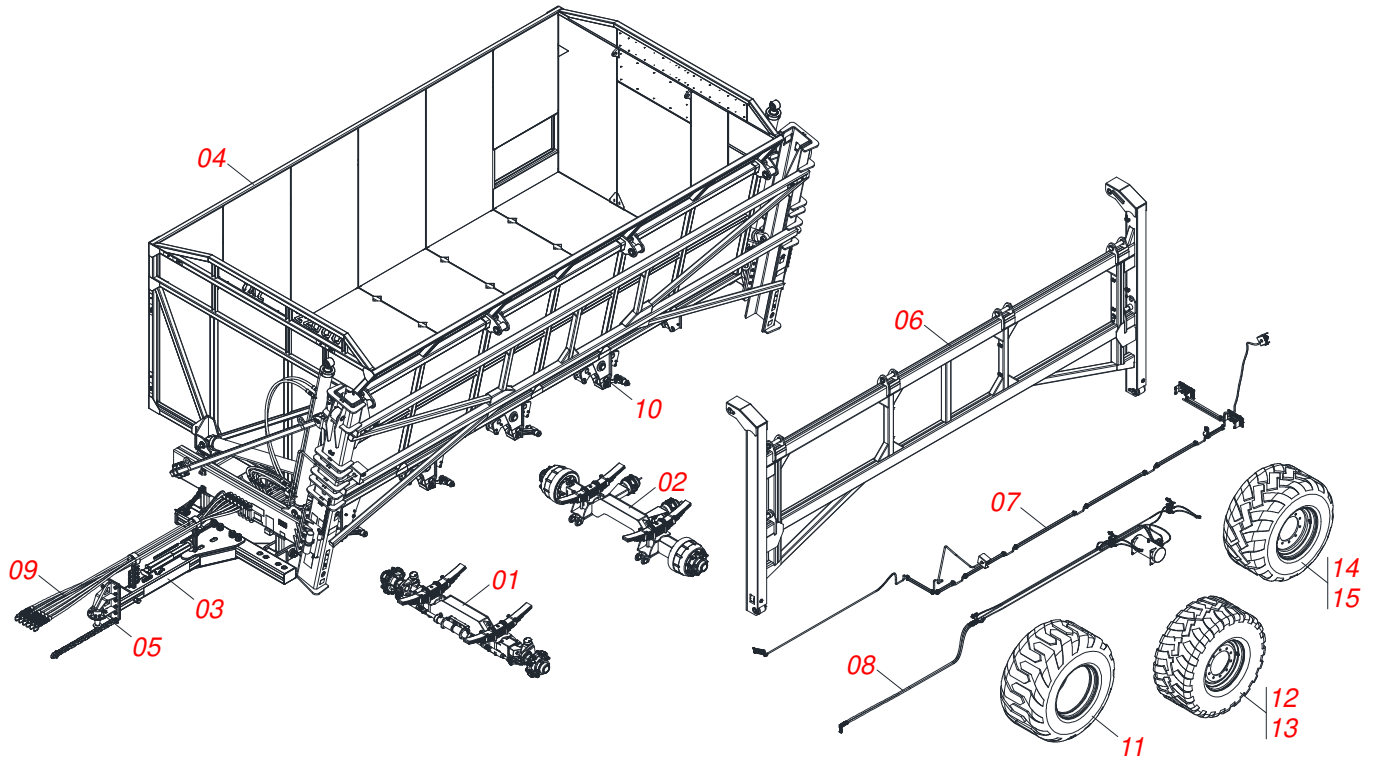
ATTENTION: IMPORTANT

CIVEMASA reserves the right to improve and/or modify the technical features of its products, without obligation to do the same with those products already sold and without prior knowledge of the dealer or the customer. The photos are only illustrative.

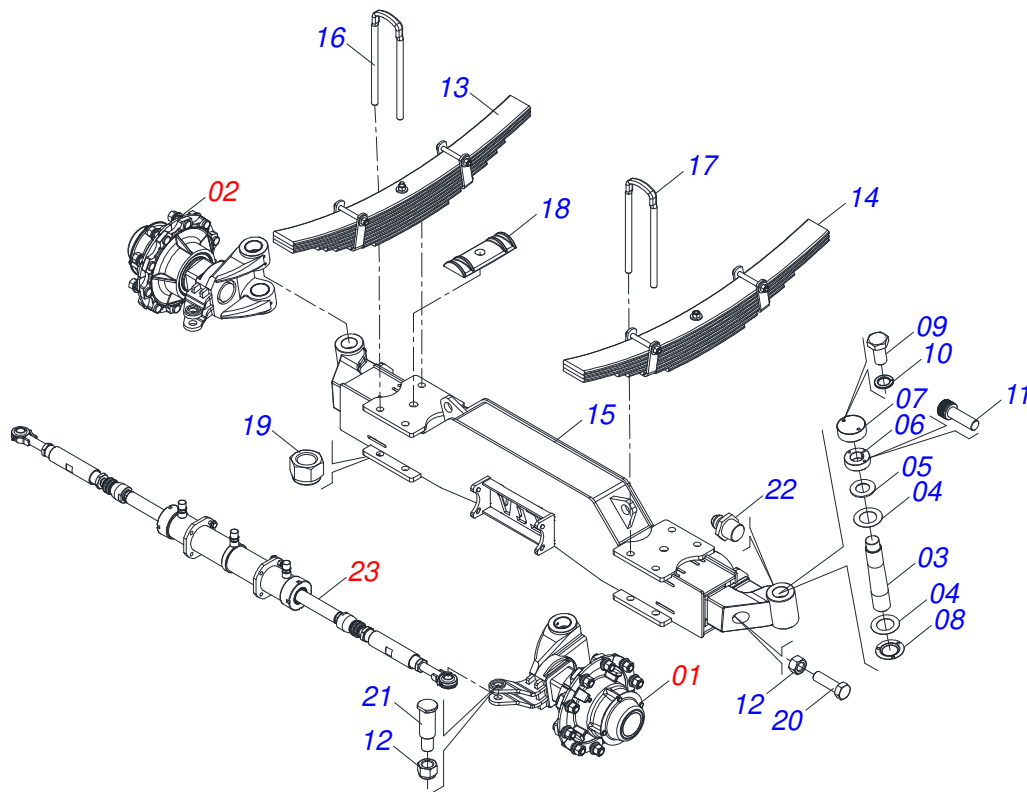


INDEX

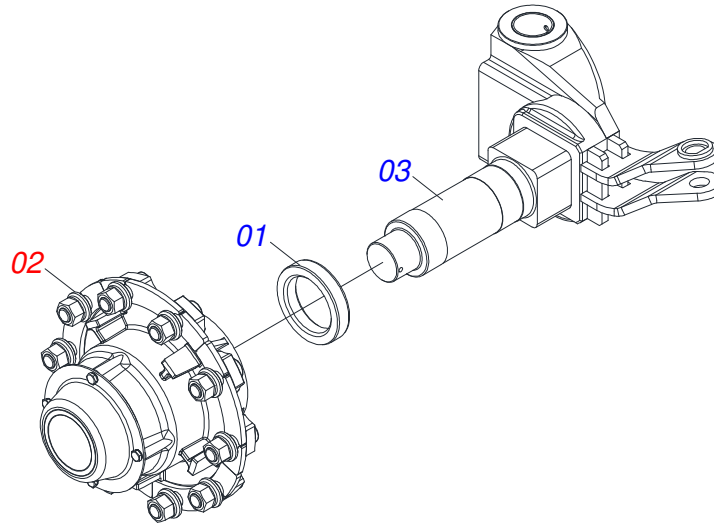
| | | | |
|------------|-------------------------------|-------|----|
| 0909096128 | FRAME ASSY | | 1 |
| 0521058719 | SHAFT ASSY | | 2 |
| 0521058761 | LEFT SHAFT BUSHING ASSY | | 3 |
| 0521058726 | RIGHT SHAFT BUSHING ASSY | | 4 |
| 0511048127 | WHEEL HUB | | 5 |
| 0521058725 | DIRECTION BAR ASSY | | 6 |
| 0521058727 | LOCK CYLINDER | | 7 |
| 0521058709 | CENTRAL SHAFT ASSY | | 8 |
| 0511045858 | WHEEL HUB ASSY WITH BRAKE | | 9 |
| 0521058710 | CENTRAL AXIS WITH TIPS | | 10 |
| 0521058683 | DRAWBAR ASSY | | 11 |
| 0521055305 | HEAVY ROW JACK | | 12 |
| 0521058087 | AXLE 5/8 EC 72 ASSY | | 13 |
| 0521058680 | BASKET ASSY | | 14 |
| 0521044412 | FRONT BALL HITCH ASSY | | 15 |
| 0521058779 | LIFT ASSY | | 16 |
| 0521058786 | ELECTRICAL SYSTEM | | 17 |
| 0521058249 | LANTERN SUPPORT | | 18 |
| 0521058787 | PNEUMATIC SYSTEM | | 19 |
| 0521052222 | QUICK COUPLING | | 20 |
| 0521050201 | QUICK COUPLING | | 21 |
| 0521058780 | SYSTEM HYDRAULIC | | 22 |
| 0521058781 | LIFT CYLINDER WITH VALVE | | 23 |
| 0521058782 | HYDRAULIC CYLINDER | | 24 |
| 0521058835 | HOSE KIT | | 25 |
| 0501053834 | MALE QUICK COUPLER | | 26 |
| 0531053890 | TIPPING CYLINDER WITH VALVE | | 27 |
| 0531053889 | HYDRAULIC SYSTEM | | 28 |
| 0521058762 | SEMIFINISHED FRAME | | 29 |
| 0521058763 | FRAME | | 30 |
| 0521058764 | ESTABILIZER ASSY | | 31 |
| 0521058765 | STABILIZER ARM | | 32 |
| 0521058766 | FRAME | | 33 |
| 0521058774 | SUSPENSION ROCKER ASSY | | 34 |
| 0521054629 | 25/26L WATER TANK | | 35 |
| 0503063169 | DISPLACED WHEEL WITH TIRE | | 36 |
| 0503064529 | RIGHT WHEEL WITH 500/60R TIRE | | 37 |
| 0503064530 | LEFT WHEEL WITH 500/60R TIRE | | 38 |
| 0503064525 | RIGHT WHEEL WITH 600/50R TIRE | | 39 |
| 0503064527 | LEFT WHEEL WITH 600/50R TIRE | | 40 |



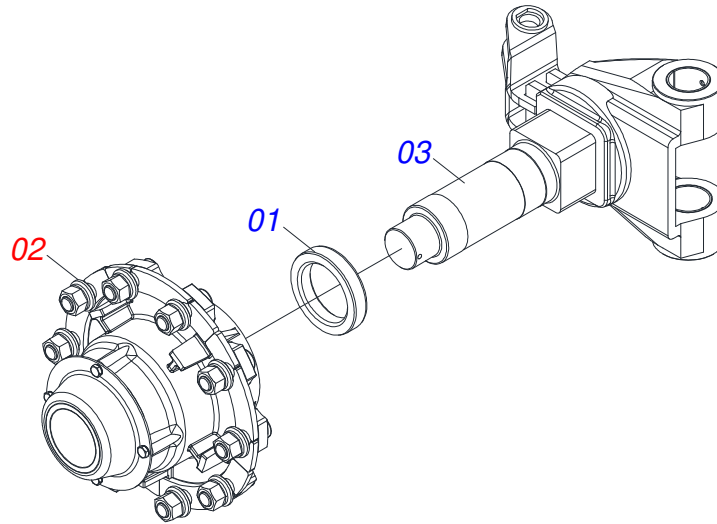
| Item | Code | Description | See page | QT |
|------|------------|-------------------------------|----------|----|
| 01 | 0521058719 | SHAFT ASSY | 2 | 02 |
| 02 | 0521058709 | CENTRAL SHAFT ASSY | 8 | 02 |
| 03 | 0521058683 | DRAWBAR ASSY | 11 | 01 |
| 04 | 0521058680 | BASKET ASSY | 14 | 01 |
| 05 | 0521044412 | FRONT BALL HITCH ASSY | 15 | 01 |
| 06 | 0521058779 | LIFT ASSY | 16 | 01 |
| 07 | 0521058786 | ELECTRICAL SYSTEM | 17 | 01 |
| 08 | 0521058787 | PNEUMATIC SYSTEM | 19 | 01 |
| 09 | 0521058780 | SYSTEM HYDRAULIC | 22 | 01 |
| 10 | 0521058762 | SEMIFINISHED FRAME | 29 | 01 |
| 11 | 0503063169 | DISPLACED WHEEL WITH TIRE | 36 | 08 |
| 12 | 0503064529 | RIGHT WHEEL WITH 500/60R TIRE | 37 | 04 |
| 13 | 0503064530 | LEFT WHEEL WITH 500/60R TIRE | 38 | 04 |
| 14 | 0503064525 | RIGHT WHEEL WITH 600/50R TIRE | 39 | 04 |
| 15 | 0503064527 | LEFT WHEEL WITH 600/50R TIRE | 40 | 04 |



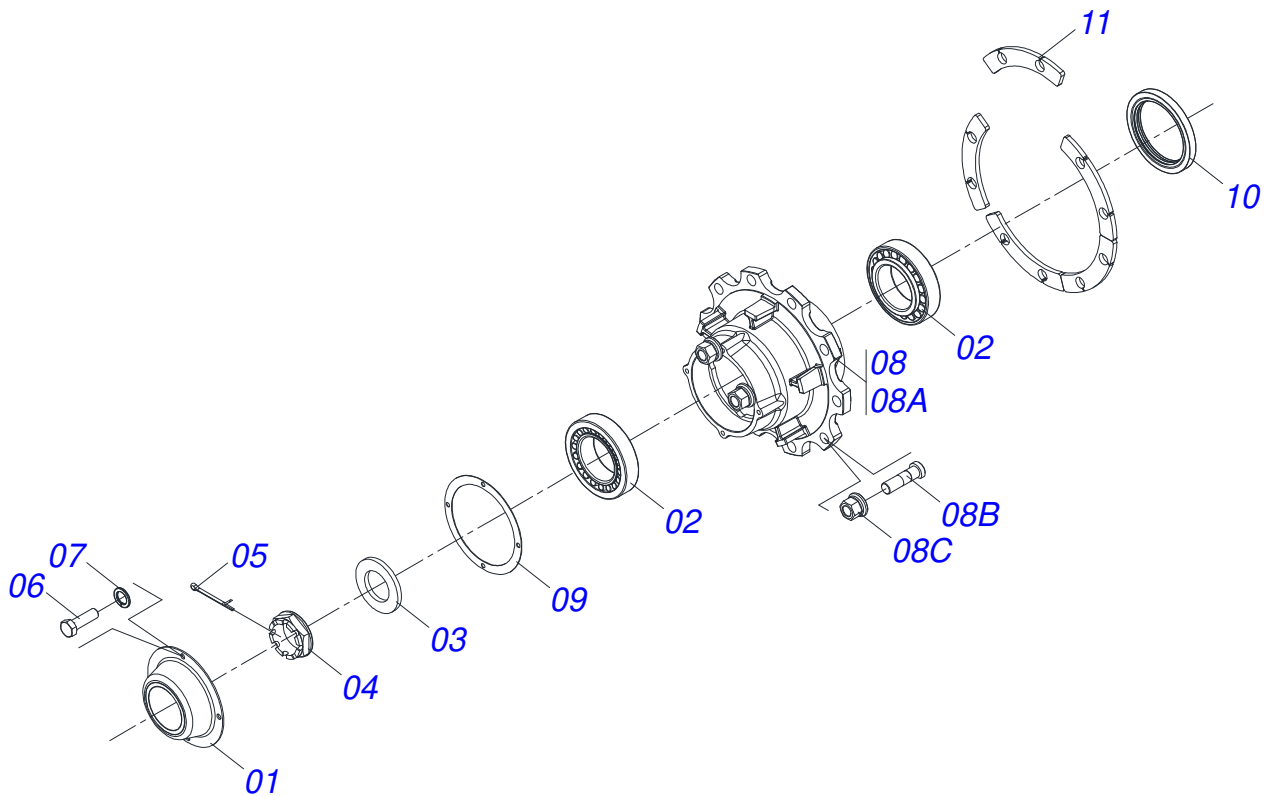
| Item | Code | Description | See page | QT |
|------|------------|-------------------------------|----------|----|
| 01 | 0521058761 | LEFT SHAFT BUSHING ASSY | 3 | 01 |
| 02 | 0521058726 | RIGHT SHAFT BUSHING ASSY | 4 | 01 |
| 03 | 0541019961 | PIVOT AXLE | | 02 |
| 04 | 0551014048 | FLAT WASHER | | 04 |
| 05 | 0551010396 | BELEVED WASHER | | 02 |
| 06 | 0551010401 | LOCK NUT | | 02 |
| 07 | 0511067573 | UPPER COVER | | 02 |
| 08 | 0551010394 | LOWER COVER | | 02 |
| 09 | 0503013546 | BOLT SX MA5,8 M10X1,5X20ZA DI | | 10 |
| 10 | 0503013542 | M10 SPRING WASHER | | 10 |
| 11 | 0503010728 | M10 X 1.2" BOLT | | 02 |
| 12 | 0503010812 | 7/8" UNF SELF LOCKING NUT | | 10 |
| 13 | 0503062550 | BEAM SPRING 09 BLADE | | 01 |
| 14 | 0503062549 | BEAM SPRING 06 BLADE | | 01 |
| 15 | 0531061200 | FRONT AXLE WITH TIPS | | 01 |
| 16 | 0503035264 | 7/8 UNF X 124 X 410 STAPLE | | 02 |
| 17 | 0503035263 | 7/8 UNF X 124 X 395 STAPLE | | 02 |
| 18 | 0502012965 | SPRING SUPPORT | | 02 |
| 19 | 0503019247 | NUT 3/4 NC S G.8 | | 02 |
| 20 | 0503019378 | BOLT | | 02 |
| 21 | 0591014751 | FIXING AXLE STEERING BAR | | 02 |
| 22 | 0503010002 | 1800 GREASE FITTING | | 06 |
| 23 | 0521058725 | DIRECTION BAR ASSY | 6 | 01 |



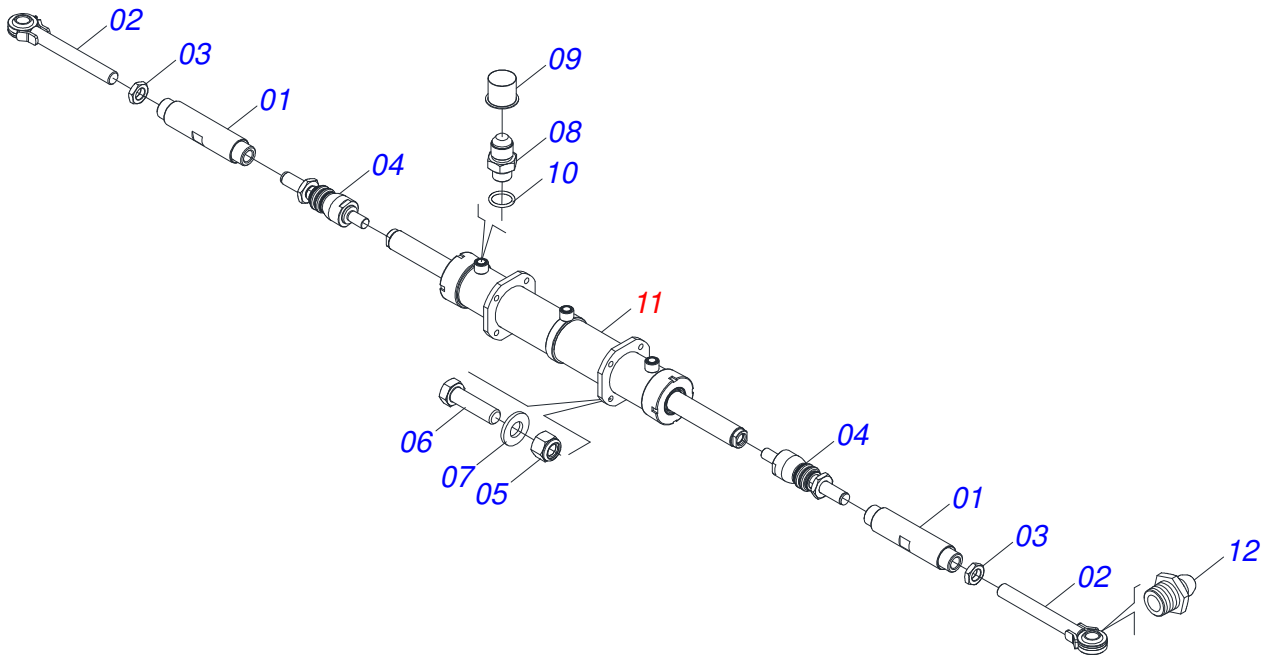
| Item | Code | Description | See page | QT |
|------|------------|------------------------------|----------|----|
| 01 | 0551010397 | BUSHING | | 01 |
| 02 | 0511048127 | WHEEL HUB | 5 | 01 |
| 03 | 0501111041 | LEFT AXIS SLEEVE WITH SLEEVE | | 01 |



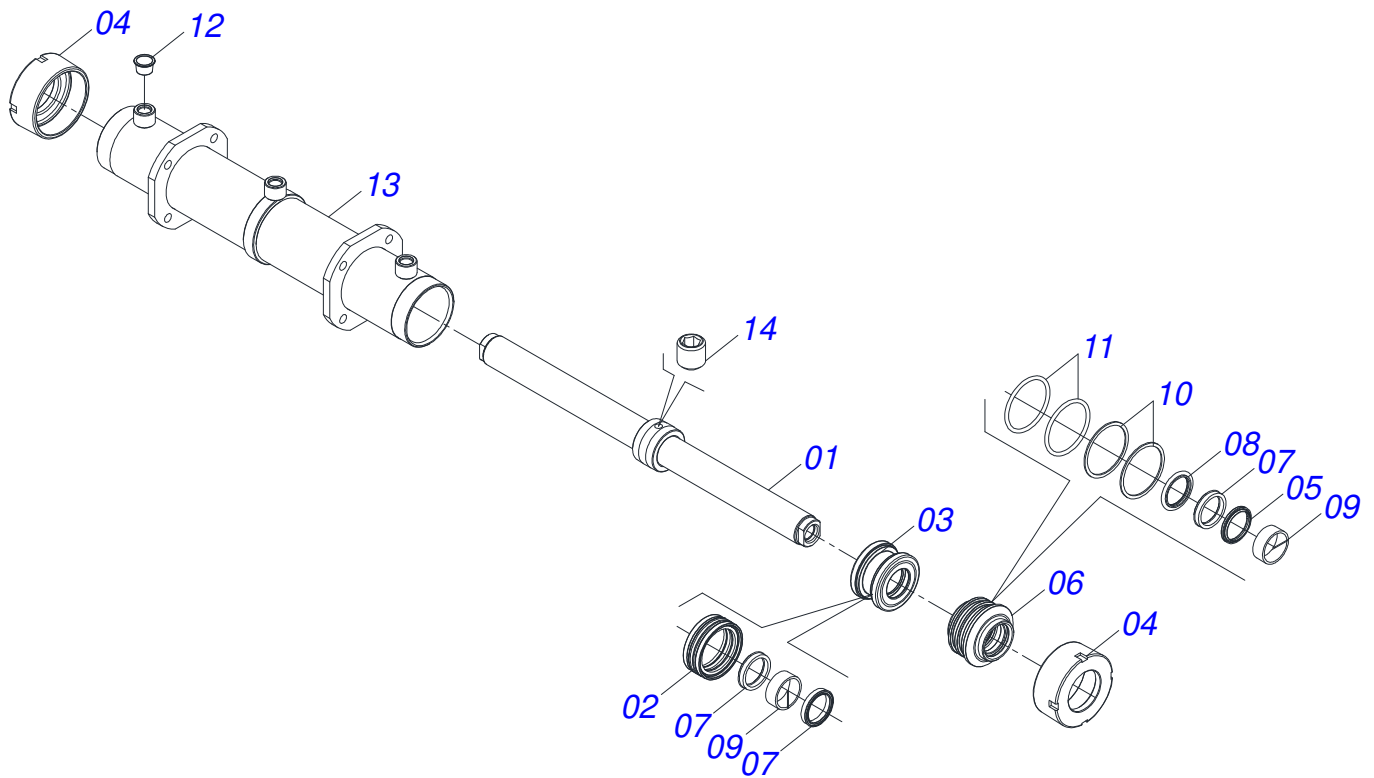
| Item | Code | Description | See page | QT |
|------|------------|----------------------------------|----------|----|
| 01 | 0551010397 | BUSHING | | 01 |
| 02 | 0511048127 | WHEEL HUB | 5 | 01 |
| 03 | 0501111039 | RIGHT SHAFT SUPPORT WITH BUSHING | | 01 |



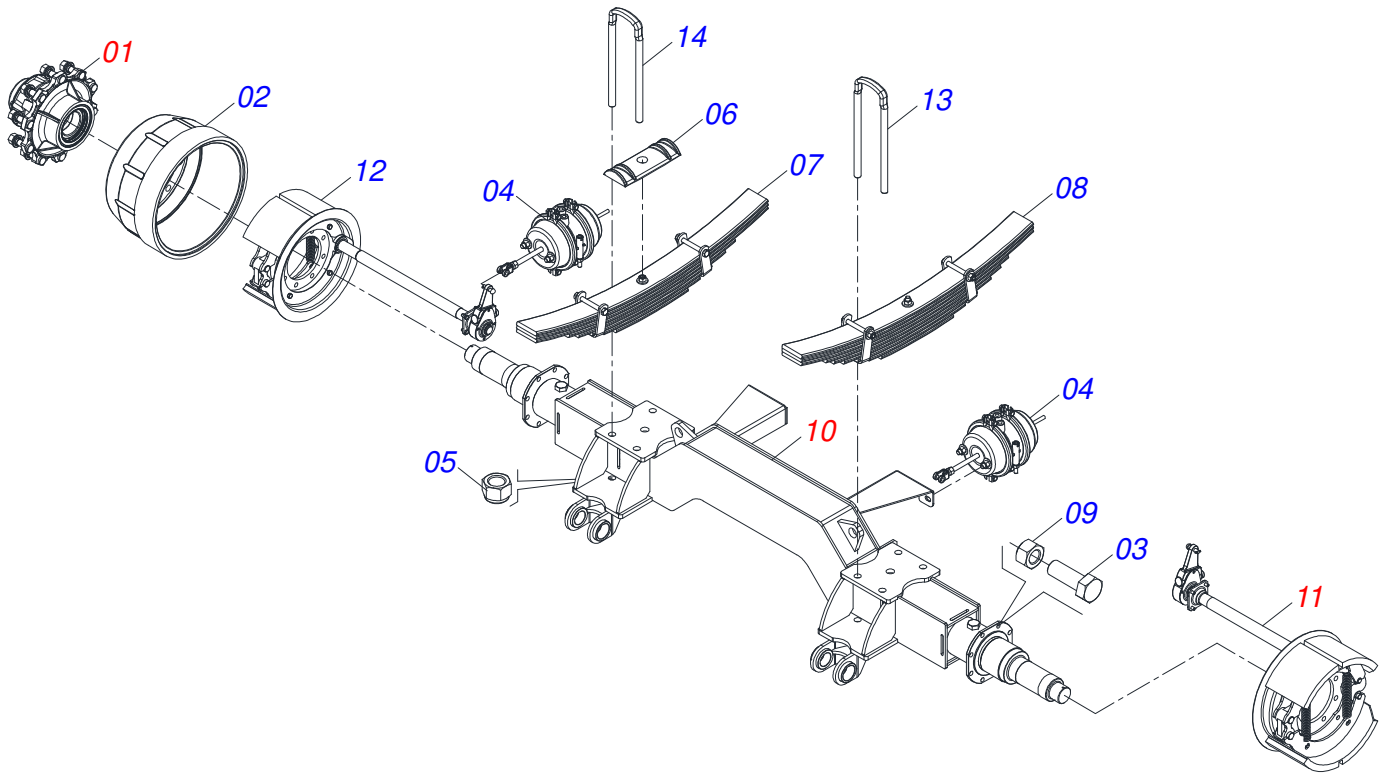
| Item | Code | Description | See page | QT |
|------|------------|------------------------------------|----------|----|
| 01 | 0503013549 | HUB COVER | | 01 |
| 02 | 0503010118 | 32218 BEARING | | 02 |
| 03 | 0531019986 | 64 X 110 X 9.5 FLAT WASHER | | 01 |
| 04 | 0502040080 | FLANGE NUT R.2.1/2" UN | | 01 |
| 05 | 0503012213 | 1/4" X 4" SPLIT PIN | | 01 |
| 06 | 0503013546 | BOLT SX MA5,8 M10X1,5X20ZA DI | | 04 |
| 07 | 0503013542 | M10 SPRING WASHER | | 04 |
| 08 | 0501110761 | BOX WHEEL WITH BOLT 25-45FT | | 01 |
| 08A | 0502012462 | WHEEL HUB | | 01 |
| 08B | 0503014050 | BOLT M22 X 1,5 X 77/87 188RT | | 10 |
| 08C | 0503014048 | HEX NUT M22 X 1,5" CH 32 X 33,5 | | 10 |
| 09 | 0503013548 | JOINT CORK CR4F | | 01 |
| 10 | 0503013541 | REAR RETAINER 0310-BG AR22 1G25356 | | 01 |
| 11 | 0561015521 | FLANGE WHEEL HUB | | 05 |



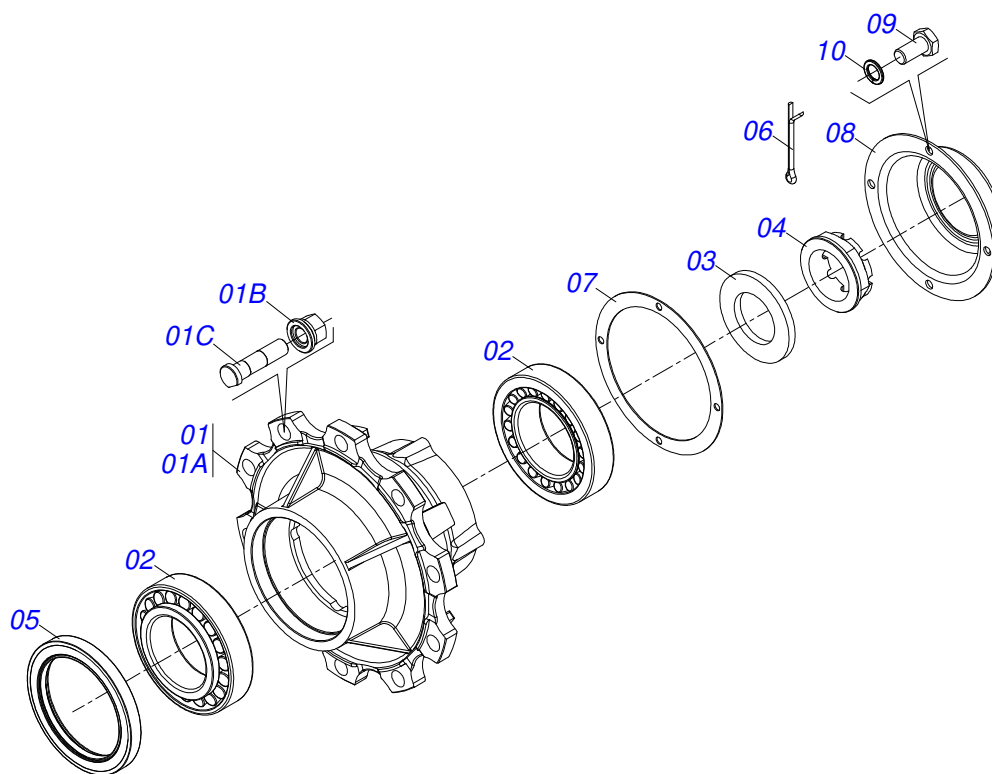
| Item | Code | Description | See page | QT |
|------|------------|-------------------------------|----------|----|
| 01 | 0531061204 | TURNBUCKLE | | 02 |
| 02 | 0531061206 | POINT | | 02 |
| 03 | 0591014792 | RIGHT NUT | | 02 |
| 04 | 0503063632 | AXIAL JOINT | | 02 |
| 05 | 0503010589 | 1/2" UNC SELF ADJUSTING NUT | | 04 |
| 06 | 0503011082 | C1/2" X 1.3/4" SCREW | | 04 |
| 07 | 0501010937 | 13,50 X 28 X 3,00 FLAT WASHER | | 04 |
| 08 | 0501011460 | 7/8 NF REDUCTION NIPPLE | | 03 |
| 09 | 0503030387 | PLUG | | 03 |
| 10 | 0503010190 | 2-114 N 3006-9B O'RING | | 03 |
| 11 | 0521058727 | LOCK CYLINDER | 7 | 01 |
| 12 | 0503010691 | 1/4" GREASE FITTING | | 02 |



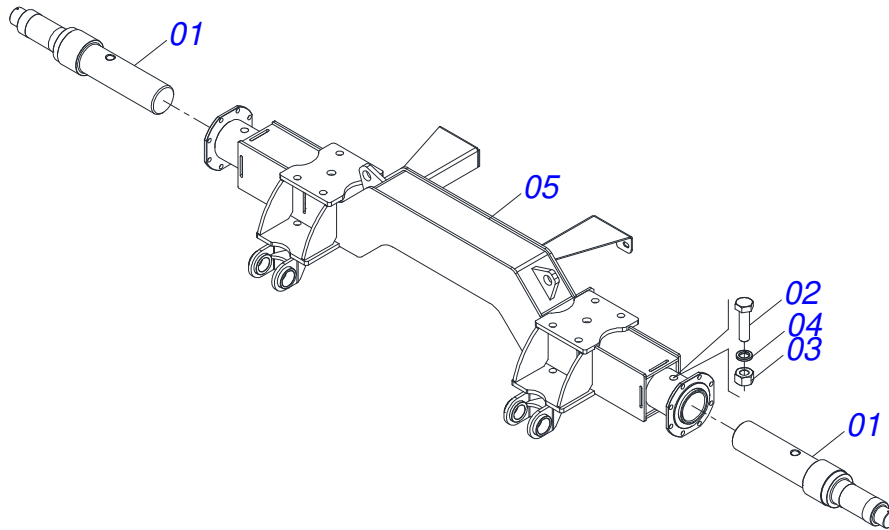
| Item | Code | Description | See page | QT |
|------|------------|-------------------------------|----------|----|
| 01 | 0501111040 | LOCKING CYLINDER ROD | | 01 |
| 02 | 0503017935 | RING | | 02 |
| 03 | 0591014766 | PISTON | | 02 |
| 04 | 0571019709 | DETACHABLE COVER | | 02 |
| 05 | 0503010761 | D-1750 SCRAPER RING | | 02 |
| 06 | 0571019711 | RING SUPPORT | | 02 |
| 07 | 0503017937 | GASKET | | 06 |
| 08 | 0503017936 | RING | | 02 |
| 09 | 0503017938 | RING GUIDE | | 04 |
| 10 | 0503017940 | 8-337 BACK-UP RING | | 04 |
| 11 | 0503017939 | 2-337 N 3006-9B O' RING | | 04 |
| 12 | 0503030384 | PLUG N-001 | | 03 |
| 13 | 0531061201 | CYLINDER CASE | | 01 |
| 14 | 0503016482 | BOLT | | 02 |
| 15 | 0511034310 | HYDRAULIC CYLINDER REPAIR KIT | | 01 |



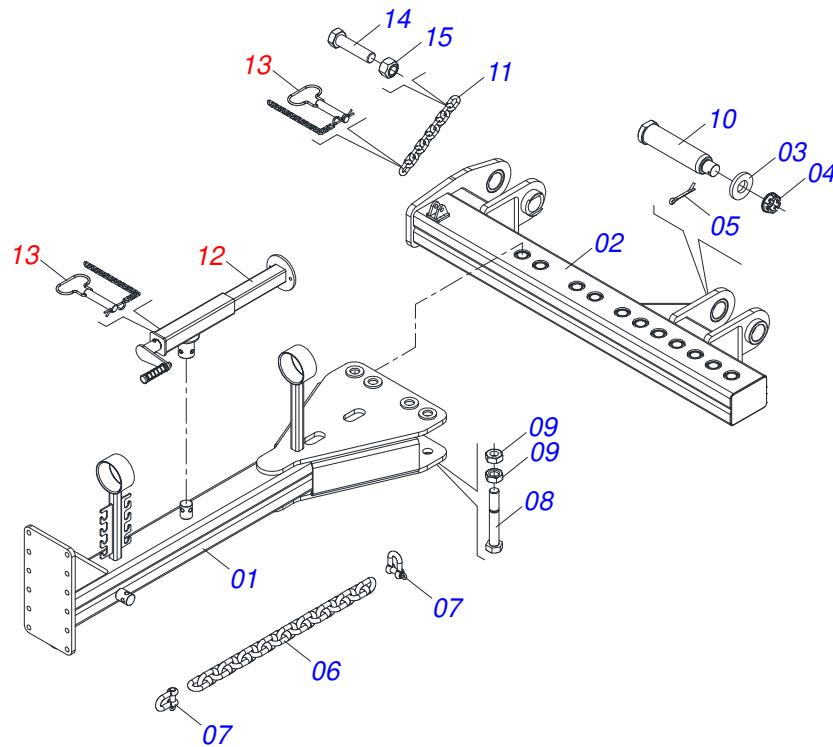
| Item | Code | Description | See page | QT |
|------|------------|----------------------------|----------|----|
| 01 | 0511045858 | WHEEL HUB ASSY WITH BRAKE | 9 | 02 |
| 02 | 0502020688 | BRAKE DRUM | | 02 |
| 03 | 0503010232 | 5/8" X 1.3/4" BOLT | | 16 |
| 04 | 0503014057 | BRAKE CHAMBER | | 02 |
| 05 | 0503010812 | 7/8" UNF SELF LOCKING NUT | | 08 |
| 06 | 0502012965 | SPRING SUPPORT | | 02 |
| 07 | 0503062549 | BEAM SPRING 06 BLADE | | 01 |
| 08 | 0503062550 | BEAM SPRING 09 BLADE | | 01 |
| 09 | 0503012412 | 5/8" UNC SELF LOCKING NUT | | 16 |
| 10 | 0521058710 | CENTRAL AXIS WITH TIPS | 10 | 01 |
| 11 | 0503062551 | RIGHT BRAKE ASSY | | 01 |
| 12 | 0503062552 | LEFT BRAKE ASSY | | 01 |
| 13 | 0503035264 | 7/8 UNF X 124 X 410 STAPLE | | 02 |
| 14 | 0503035263 | 7/8 UNF X 124 X 395 STAPLE | | 02 |



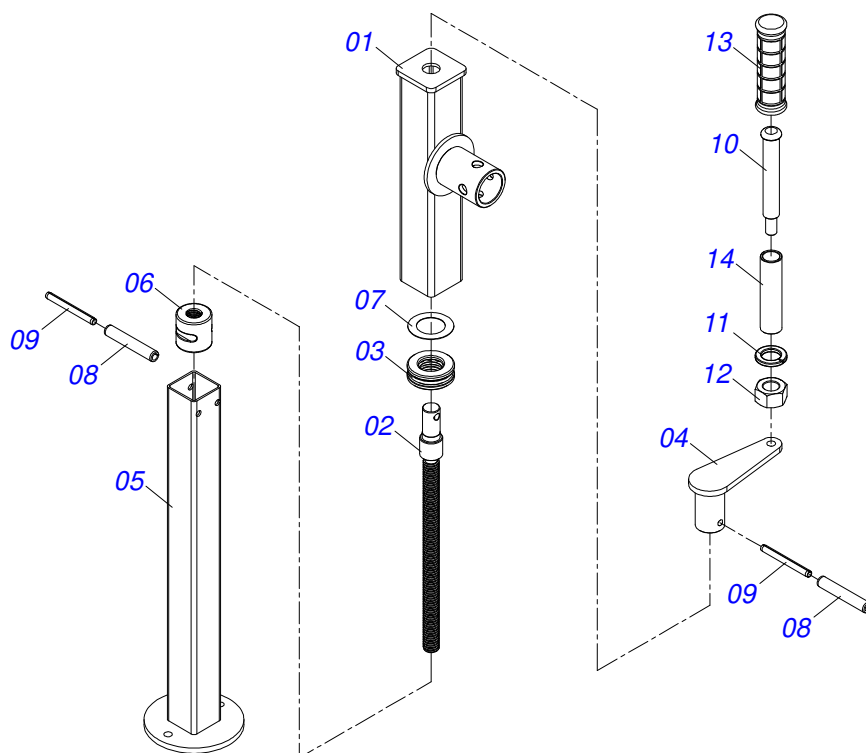
| Item | Code | Description | See page | QT |
|------|------------|------------------------------------|----------|----|
| 01 | 0501110771 | CARRYING WHEEL HUB | | 01 |
| 01A | 0502012462 | WHEEL HUB | | 01 |
| 01B | 0503014048 | HEX NUT M22 X 1,5" CH 32 X 33,5 | | 10 |
| 01C | 0503014049 | M22 X 1,5 X 89/97" BOLT | | 10 |
| 02 | 0503010118 | 32218 BEARING | | 02 |
| 03 | 0531019986 | 64 X 110 X 9.5 FLAT WASHER | | 01 |
| 04 | 0502040080 | FLANGE NUT R.2.1/2" UN | | 01 |
| 05 | 0503013541 | REAR RETAINER 0310-BG AR22 1G25356 | | 01 |
| 06 | 0503012213 | 1/4" X 4" SPLIT PIN | | 01 |
| 07 | 0503013548 | JOINT CORK CR4F | | 01 |
| 08 | 0503013549 | HUB COVER | | 01 |
| 09 | 0503013546 | BOLT SX MA5,8 M10X1,5X20ZA DI | | 04 |
| 10 | 0503013542 | M10 SPRING WASHER | | 04 |



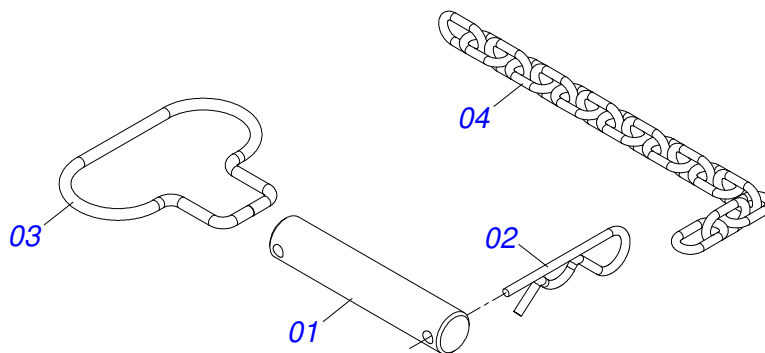
| Item | Code | Description | See page | QT |
|------|------------|----------------------|----------|----|
| 01 | 0581013527 | CARRYING WHEELS AXLE | | 02 |
| 02 | 0501010219 | 1" X 7-1/2" BOLT | | 02 |
| 03 | 0501010059 | 1.5/8 NUT | | 02 |
| 04 | 0503010012 | 1" SPRING WASHER | | 02 |
| 05 | 0531061161 | CENTRAL AXLE | | 01 |



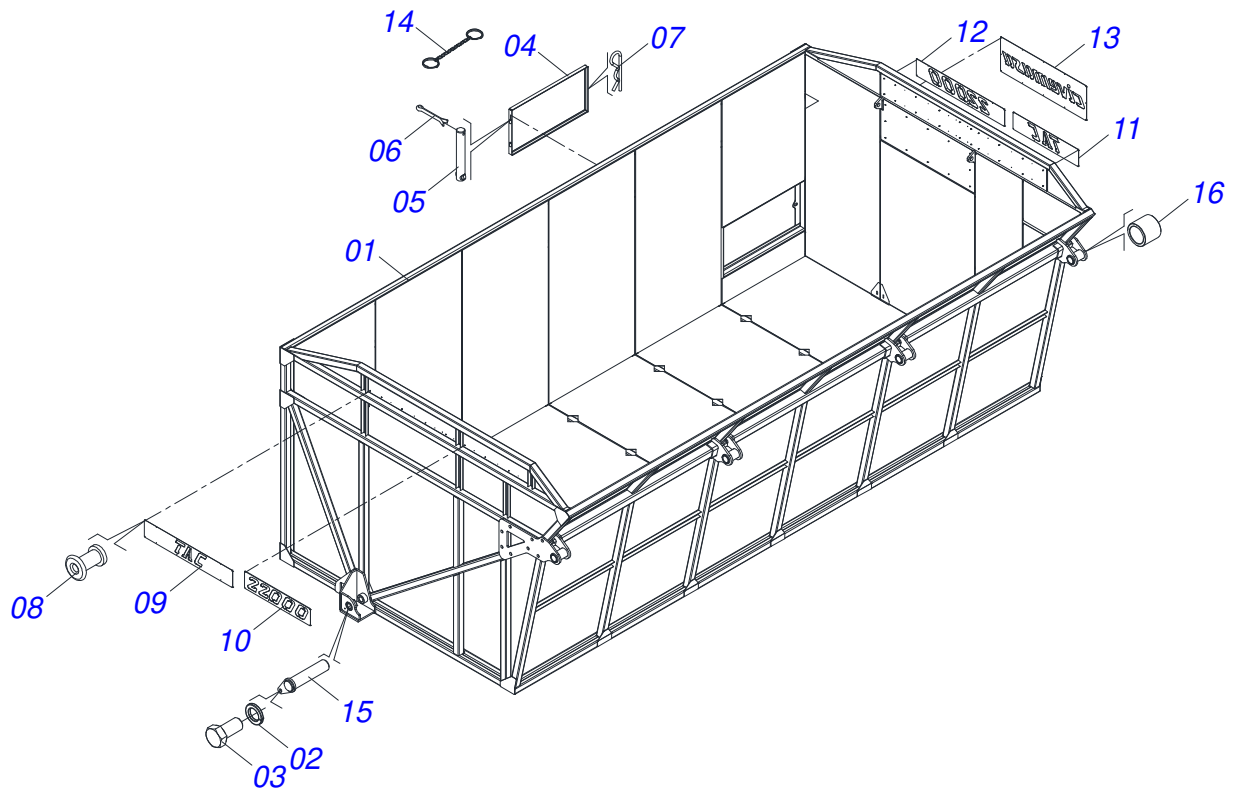
| Item | Code | Description | See page | QT |
|------|------------|--------------------------------|----------|----|
| 01 | 0531061186 | DRAWBAR | | 01 |
| 02 | 0531061187 | DRAWBAR ARTICULATOR | | 01 |
| 03 | 0571016480 | FLAT WASHER | | 02 |
| 04 | 0501010888 | 1.3/4" 2.5/16" CASTLE NUT | | 02 |
| 05 | 0503012231 | 1/4" X 3" SPLIT PIN | | 02 |
| 06 | 0503014120 | CHAIN | | 01 |
| 07 | 0503014321 | CABLE STEEL SHACKLE | | 02 |
| 08 | 0501010286 | 1-1/2" X 10" BOLT | | 04 |
| 09 | 0501011296 | 1.1/2" X 2.5/16" NUT | | 08 |
| 10 | 0591014728 | DRAWBAR ARTICULATION SHAFT | | 02 |
| 11 | 0581010949 | CHAIN | | 01 |
| 12 | 0521055305 | HEAVY ROW JACK | 12 | 01 |
| 13 | 0521058087 | AXLE 5/8 EC 72 ASSY | 13 | 02 |
| 14 | 0503010233 | 5/8 UNC X 2.1/2 CS G.5 ZN BOLT | | 01 |
| 15 | 0503012412 | 5/8" UNC SELF LOCKING NUT | | 01 |



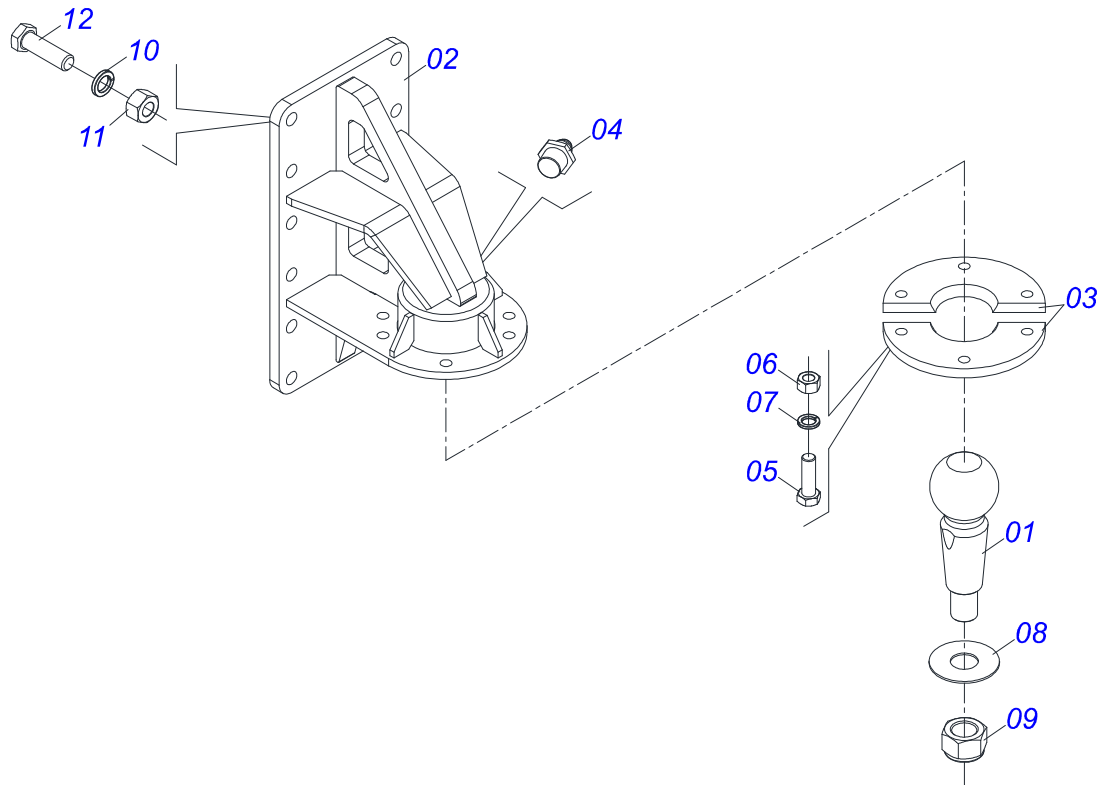
| Item | Code | Description | See page | QT |
|------|------------|------------------------|----------|----|
| 01 | 0521069700 | JACK EXTERNAL BODY | | 01 |
| 02 | 0521067900 | JACK SPINDLE | | 01 |
| 03 | 0503013092 | 51305 BEARING | | 01 |
| 04 | 0521069702 | HANDLE | | 01 |
| 05 | 0521069701 | JACK INTERNAL BODY | | 01 |
| 06 | 0502012723 | JACK SHAFT BUSHING | | 01 |
| 07 | 0521015818 | FLAT WASHER | | 01 |
| 08 | 0503010361 | SPRING PIN | | 03 |
| 09 | 0503010756 | 0.2" X 2.4" SPRING PIN | | 03 |
| 10 | 0581014604 | ARTICULATION SHAFT | | 01 |
| 11 | 0503010019 | 1/2" SPRING WASHER | | 01 |
| 12 | 0503010060 | 1/2 UNC G.5 ZN HEX NUT | | 01 |
| 13 | 0503037382 | 25 X 120 PVC HANDLE | | 01 |
| 14 | 0581014603 | TUBE 19,5 X 25 X 110 | | 01 |



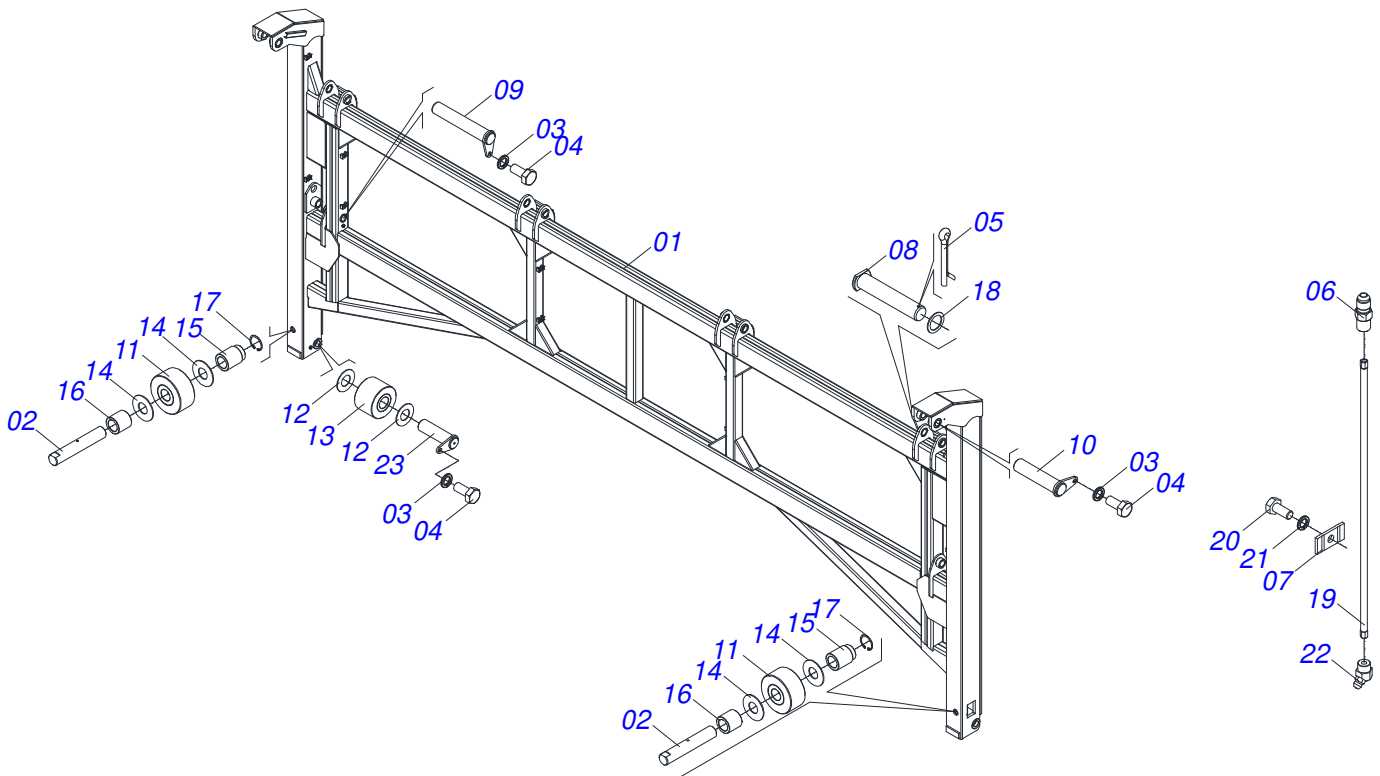
| Item | Code | Description | See page | QT |
|------|------------|----------------------|----------|----|
| 01 | 0591014369 | 5/8 X 82 AXLE | | 01 |
| 02 | 0503030168 | HITCH PIN CLIP | | 01 |
| 03 | 0503034794 | HANDLE PIN HITCH 4MM | | 01 |
| 04 | 0503034756 | 3,00 X 16 CHAIN | | 01 |



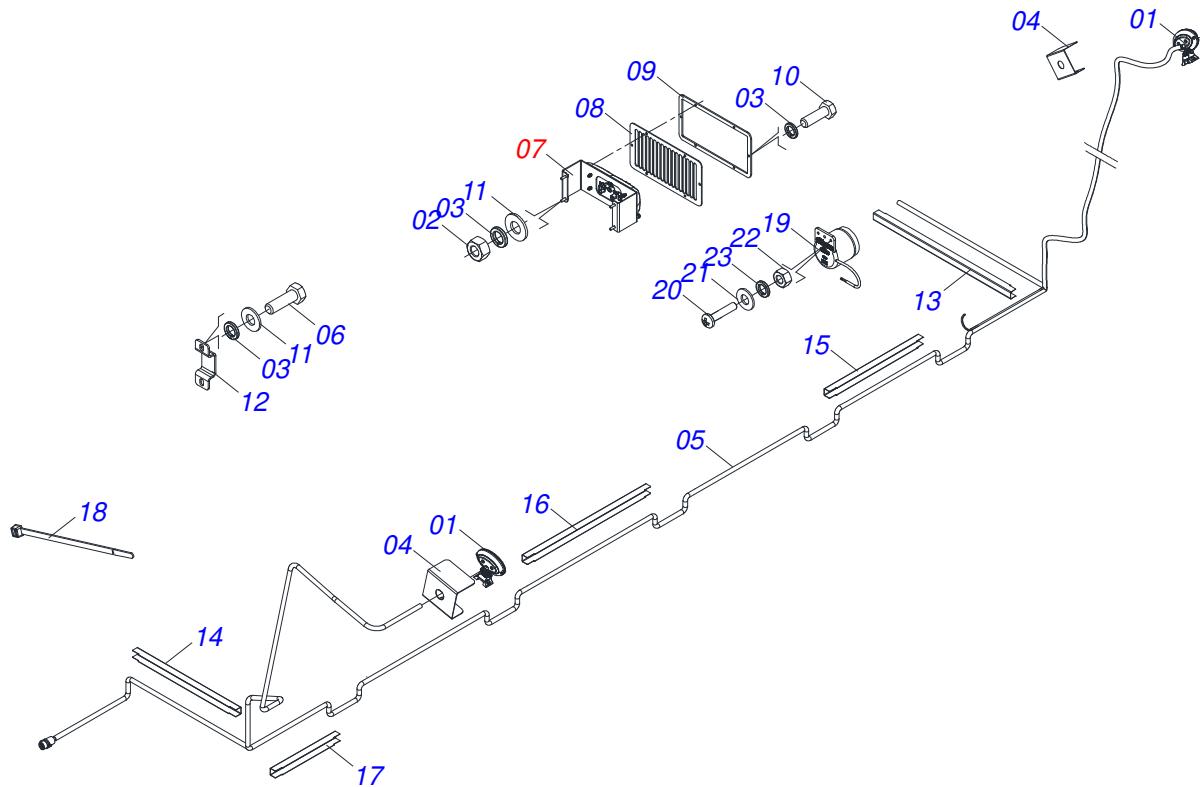
| Item | Code | Description | See page | QT |
|------|------------|-----------------------------------|----------|----|
| 01 | 0531061185 | BASKET | | 01 |
| 02 | 0503010019 | 1/2" SPRING WASHER | | 02 |
| 03 | 0503010834 | 1/2 X 1 BOLT | | 02 |
| 04 | 0521065035 | COVER | | 01 |
| 05 | 0521010553 | 0.5" X 3" COUPLING SHAFT | | 02 |
| 06 | 0503010257 | 1/8" X 1" SPLIT PIN | | 02 |
| 07 | 0503030168 | HITCH PIN CLIP | | 01 |
| 08 | 0503013356 | RIVET POP 3,2 X 10,0 | | 52 |
| 09 | 0571016366 | LOGOTYPE TAC 1130 X 190 X 1,20 | | 01 |
| 10 | 0591014718 | LOGOTYPE | | 01 |
| 11 | 0571016490 | LOGOTYPE | | 01 |
| 12 | 0591014719 | LOGOTYPE | | 01 |
| 13 | 0571016492 | LOGOTYPE "CIVEMASA" 1100X385X1,20 | | 01 |
| 14 | 0503011423 | RING | | 01 |
| 15 | 0521066145 | 49,5 X 208 AXLE | | 02 |
| 16 | 0591014720 | 2" X 2.70" X 2.35" BUSHING | | 08 |



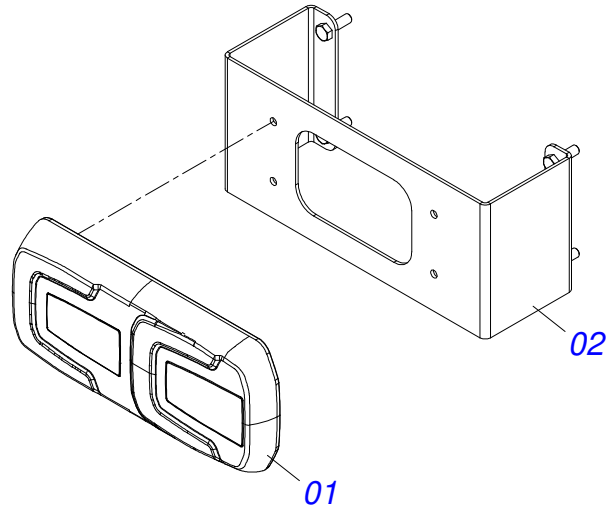
| Item | Code | Description | See page | QT |
|------|------------|---------------------------------|----------|----|
| 01 | 0541015756 | HITCH PIN MALE | | 01 |
| 02 | 0521065033 | HITCH BALL REAR | | 01 |
| 03 | 0551016939 | FLANGE BI-LEAVING | | 02 |
| 04 | 0503010002 | 1800 GREASE FITTING | | 01 |
| 05 | 0501010100 | BOLT 5/8" UNC X 2 CS G.5 ZN | | 06 |
| 06 | 0503010013 | 5/8 UNC G.5 ZN HEX NUT | | 06 |
| 07 | 0503010027 | 5/8 SPRING WASHER | | 06 |
| 08 | 0521011721 | 1.6" X 3.94" X 0.12" WASHER | | 01 |
| 09 | 0503010290 | SELF ADJUSTING 1.1/2" UNF NUT | | 01 |
| 10 | 0503010023 | 3/4" SPRING WASHER | | 12 |
| 11 | 0503010014 | 3/4" ZN G.5 (HEAVY) UNC HEX NUT | | 12 |
| 12 | 0501010125 | 3/4" X 2-1/2" BOLT | | 12 |



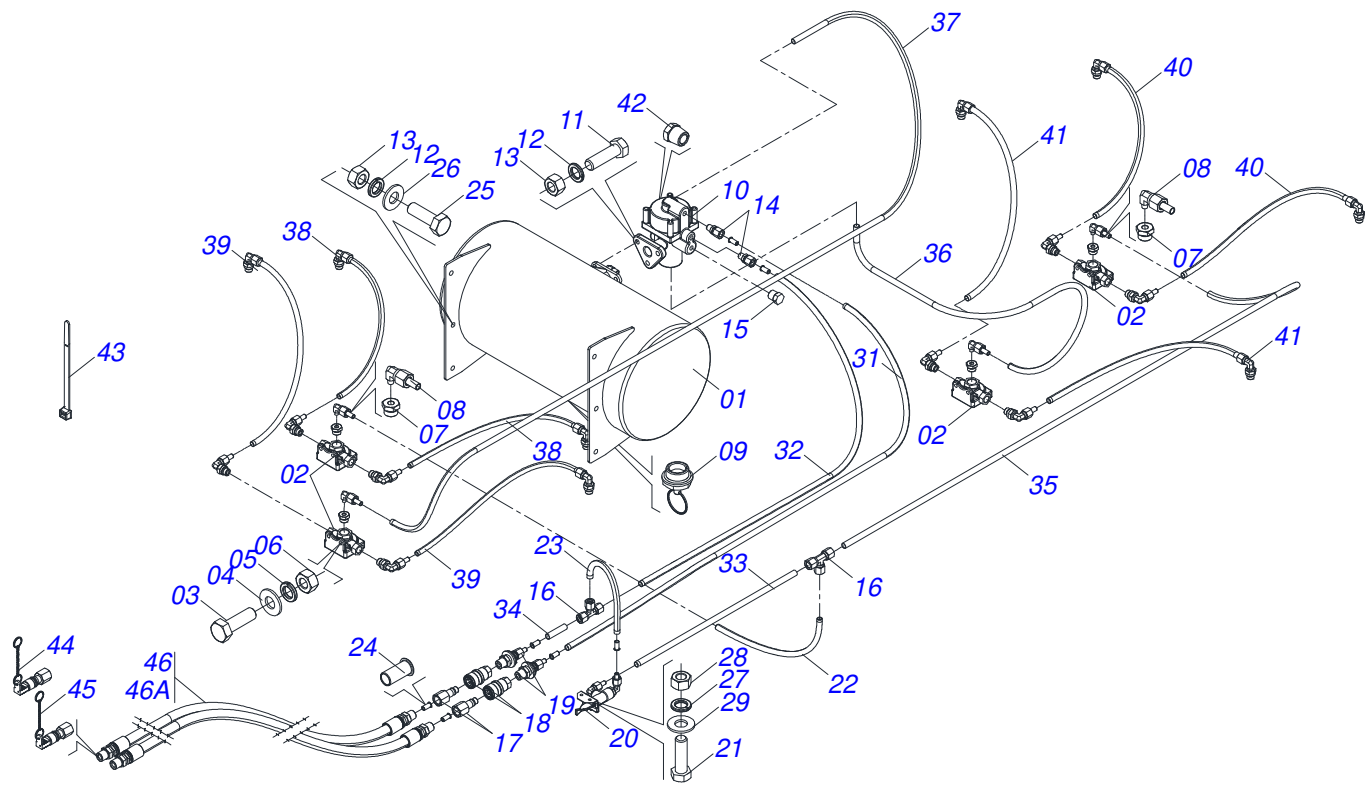
| Item | Code | Description | See page | QT |
|------|------------|-------------------------------|----------|----|
| 01 | 0521066130 | FRAME | | 01 |
| 02 | 0591014837 | LOWER SIDE PULLEY AXIS | | 02 |
| 03 | 0503010019 | 1/2" SPRING WASHER | | 06 |
| 04 | 0503010834 | 1/2 X 1 BOLT | | 06 |
| 05 | 0503010073 | 3/8" X 3.1/2" SPLIT PIN | | 04 |
| 06 | 0503012776 | 1/8" NF NIPPLE | | 02 |
| 07 | 0531011180 | SUPPORT | | 04 |
| 08 | 0591014836 | ARTICULATION SHAFT | | 04 |
| 09 | 0521066132 | 1.95" X 13.60" SHAFT | | 02 |
| 10 | 0521066131 | 2" X 8.50" SHAFT | | 02 |
| 11 | 0501110784 | PULLEY | | 02 |
| 12 | 0571016249 | FLAT WASHER | | 04 |
| 13 | 0501110526 | LOWER PULLEY | | 02 |
| 14 | 0551014871 | FLAT WASHER | | 04 |
| 15 | 0571016255 | 1.50" X 2.25" X 3" SLEEVE | | 02 |
| 16 | 0571016257 | 1.50" X 2.25" X 2.15" BUSHING | | 02 |
| 17 | 0503010390 | SEAL RING | | 02 |
| 18 | 0571016252 | FLAT WASHER | | 04 |
| 19 | 0521066129 | TUBE | | 02 |
| 20 | 0503011338 | BOLT 7/16" UNC X 1" CS G.5 ZN | | 04 |
| 21 | 0503010180 | 7/16" SPRING WASHER | | 04 |
| 22 | 0503010003 | 1845 GREASE FITTING | | 02 |
| 23 | 0531061213 | AXLE | | 02 |



| Item | Code | Description | See page | QT |
|------|------------|----------------------------------|----------|----|
| 01 | 0503018738 | HEADLIGHT | | 02 |
| 02 | 0503010337 | NUT 5/16 UNC G.5 ZN | | 12 |
| 03 | 0503010179 | LOCK WASHER 5/16 ZN 1K01528 | | 56 |
| 04 | 0591014370 | LED HEADLIGHT PROTECTION | | 02 |
| 05 | 0503063205 | ELETRIC CABLE | | 01 |
| 06 | 0503010371 | 5/16" X 1" BOLT | | 36 |
| 07 | 0521058249 | LANTERN SUPPORT | 18 | 02 |
| 08 | 0591014297 | LANTERN CASE COVER | | 02 |
| 09 | 0591014298 | FRAME CASE LANTERN | | 02 |
| 10 | 0503010365 | BOLT 5/16 UNC X 1.1/4 C S G.5 ZN | | 12 |
| 11 | 0501010694 | FLAT WASHER 32,50 X 75 X 4,75 | | 40 |
| 12 | 0591014299 | TROUGH FIXING CLAMP | | 16 |
| 13 | 0591014859 | 38 X 38 X 1,50 X 860 GUTTER | | 01 |
| 14 | 0591014860 | 38 X 38 X 1,50 X 648 GUTTER | | 01 |
| 15 | 0591014861 | 38 X 38 X 1,50 X 970 GUTTER | | 02 |
| 16 | 0591014862 | 38 X 38 X 1,50 X 1459 GUTTER | | 02 |
| 17 | 0591014863 | 38 X 38 X 1,50 X 405 GUTTER | | 02 |
| 18 | 0503013527 | ZIP TIE | | 10 |
| 19 | 0503019808 | BUZZER | | 01 |
| 20 | 0503016145 | M 4 X 30 BOLT | | 02 |
| 21 | 0503010669 | FLAT WASHER 5 X 11 X 1,00 ZN | | 02 |
| 22 | 0503015597 | NUT M4 | | 02 |
| 23 | 0503010668 | 3/16" SPRING WASHER | | 02 |

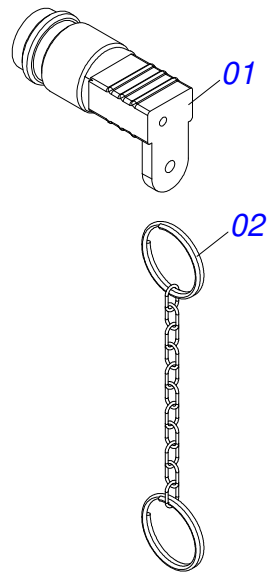


| Item | Code | Description | See page | QT |
|------|------------|------------------------|----------|----|
| 01 | 0503019579 | LED LANTERN | | 01 |
| 02 | 0531061031 | LANTERN FIXING SUPPORT | | 01 |

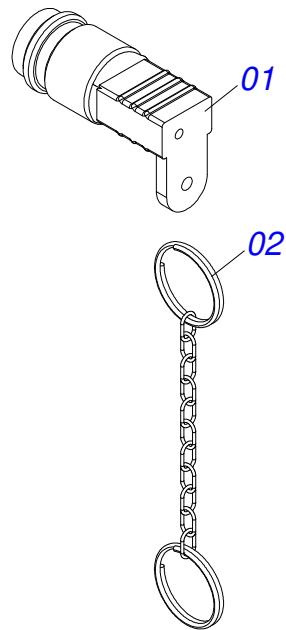


| Item | Code | Description | See page | QT |
|------|------------|---------------------------------|----------|--------|
| 01 | 0503033132 | RESERVOIR AR 36L (CYLINDER) | | 01 |
| 02 | 0503014038 | VALVE | | 04 |
| 03 | 0503010371 | 5/16" X 1" BOLT | | 08 |
| 04 | 0501010694 | FLAT WASHER 32,50 X 75 X 4,75 | | 08 |
| 05 | 0503010179 | LOCK WASHER 5/16 ZN 1K01528 | | 08 |
| 06 | 0503010337 | NUT 5/16 UNC G.5 | | 08 |
| 07 | 0503013481 | REDUCTOR | | 04 |
| 08 | 0503032307 | CONNECT ELBOW | | 24 |
| 09 | 0503013523 | VALVE | | 01 |
| 10 | 0503032389 | VALVE | | 01 |
| 11 | 0503010751 | C3/8" X 1.1/4" HEX BOLT G.5 | | 03 |
| 12 | 0503010025 | 3/8" SPRING WASHER | | 09 |
| 13 | 0503010026 | 3/8" NUT | | 09 |
| 14 | 0503013646 | MALE CONNECTOR | | 02 |
| 15 | 0503013519 | PLUG HEX 1/2 NPFT | | 01 |
| 16 | 0503032301 | CONNECTION | | 02 |
| 17 | 0503013515 | QUICK CONECTION | | 04 |
| 18 | 0503014140 | FEMALE QUICK COUPLER | | 02 |
| 19 | 0503014138 | UNION ANTEP TUBE | | 02 |
| 20 | 0503014039 | VALVE DRIVE 1/4 9201001G37571 | | 01 |
| 21 | 0503010282 | 1/4" X 3/4" BOLT | | 02 |
| 22 | 0503032835 | 1/2 TUBE | | 01mts |
| 23 | 0503032835 | 1/2 TUBE | | 01mts |
| 24 | 0503014002 | ADAPTER | | 35 |
| 25 | 0503010237 | 3/8" X 1" BOLT | | 06 |
| 26 | 0501010984 | 10,50 X 27 X 3,00 FLAT WASHER | | 06 |
| 27 | 0503010143 | 1/4" SPRING WASHER | | 02 |
| 28 | 0503010144 | 1/4" NUT | | 02 |
| 29 | 0503010305 | 6,50 X 17 X 1,50 ZN FLAT WASHER | | 02 |
| 30 | 0503014037 | REDUCTION | | 16 |
| 31 | 0503032835 | 1/2 TUBE | | 4,6mts |
| 32 | 0503032835 | 1/2 TUBE | | 4,4mts |

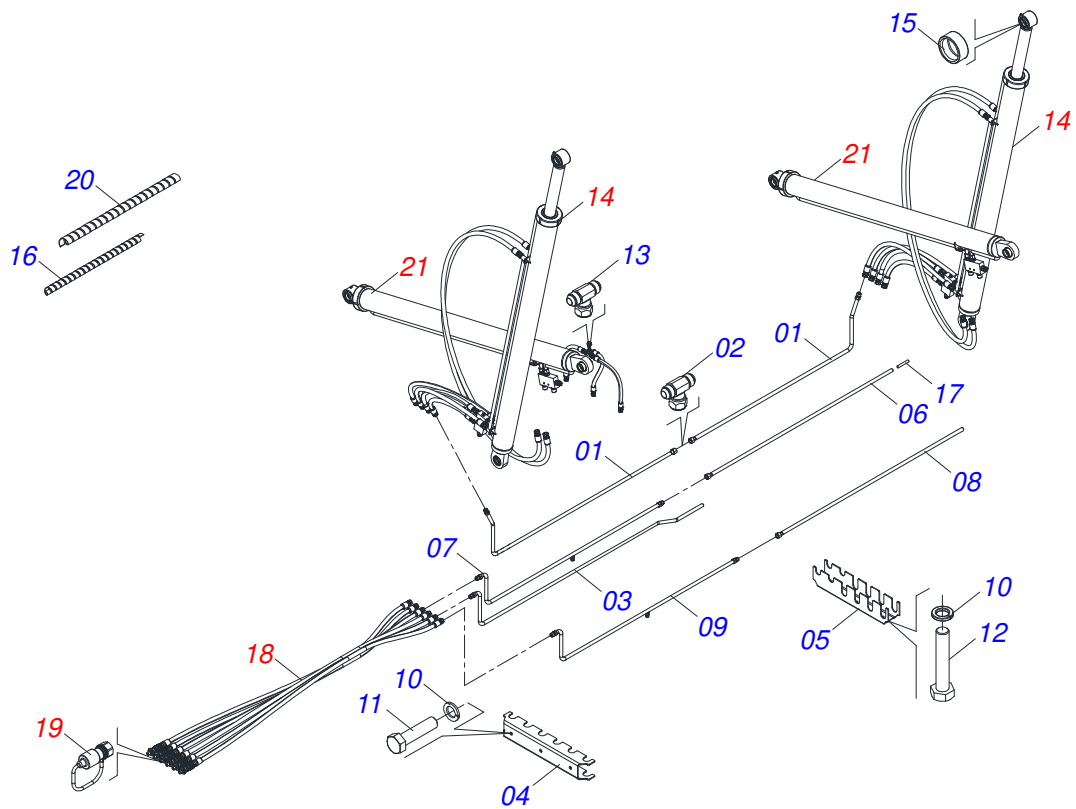
| Item | Code | Description | See page | QT |
|-------------|-------------|--------------------------------|-----------------|-----------|
| 33 | 0503032835 | 1/2 TUBE | | 03mts |
| 34 | 0503032835 | 1/2 TUBE | | 0,45mts |
| 35 | 0503032835 | 1/2 TUBE | | 1,8mts |
| 36 | 0503032835 | 1/2 TUBE | | 1,2mts |
| 37 | 0503032835 | 1/2 TUBE | | 2,3mts |
| 38 | 0503032835 | 1/2 TUBE | | 01mts |
| 39 | 0503032835 | 1/2 TUBE | | 01mts |
| 40 | 0503032835 | 1/2 TUBE | | 01mts |
| 41 | 0503032835 | 1/2 TUBE | | 01mts |
| 42 | 0503013518 | 1/4" PLUG | | 01 |
| 43 | 0503013527 | ZIP TIE | | 10 |
| 44 | 0521052222 | QUICK COUPLING | 20 | 01 |
| 45 | 0521050201 | QUICK COUPLING | 21 | 01 |
| 46 | 0521058788 | PNEUMATIC SISTEM HOSE ASSEMBLY | | 01 |
| 46A | 0501081031 | 1/2" X 141.73" TM-TM HOSE | | 02 |



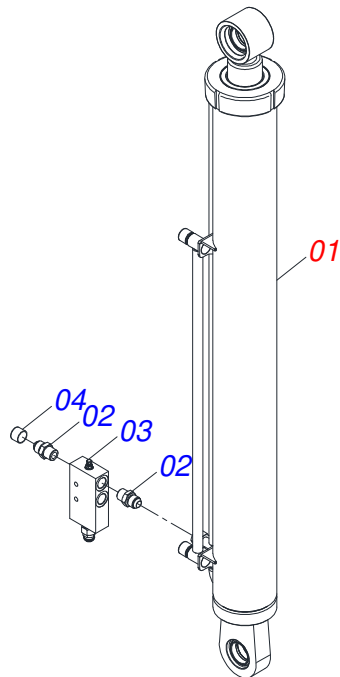
| Item | Code | Description | See page | QT |
|------|------------|-------------------------------|----------|----|
| 01 | 0503019216 | QUICK COUPLING COVER (YELLOW) | | 01 |
| 02 | 0503011423 | RING | | 01 |



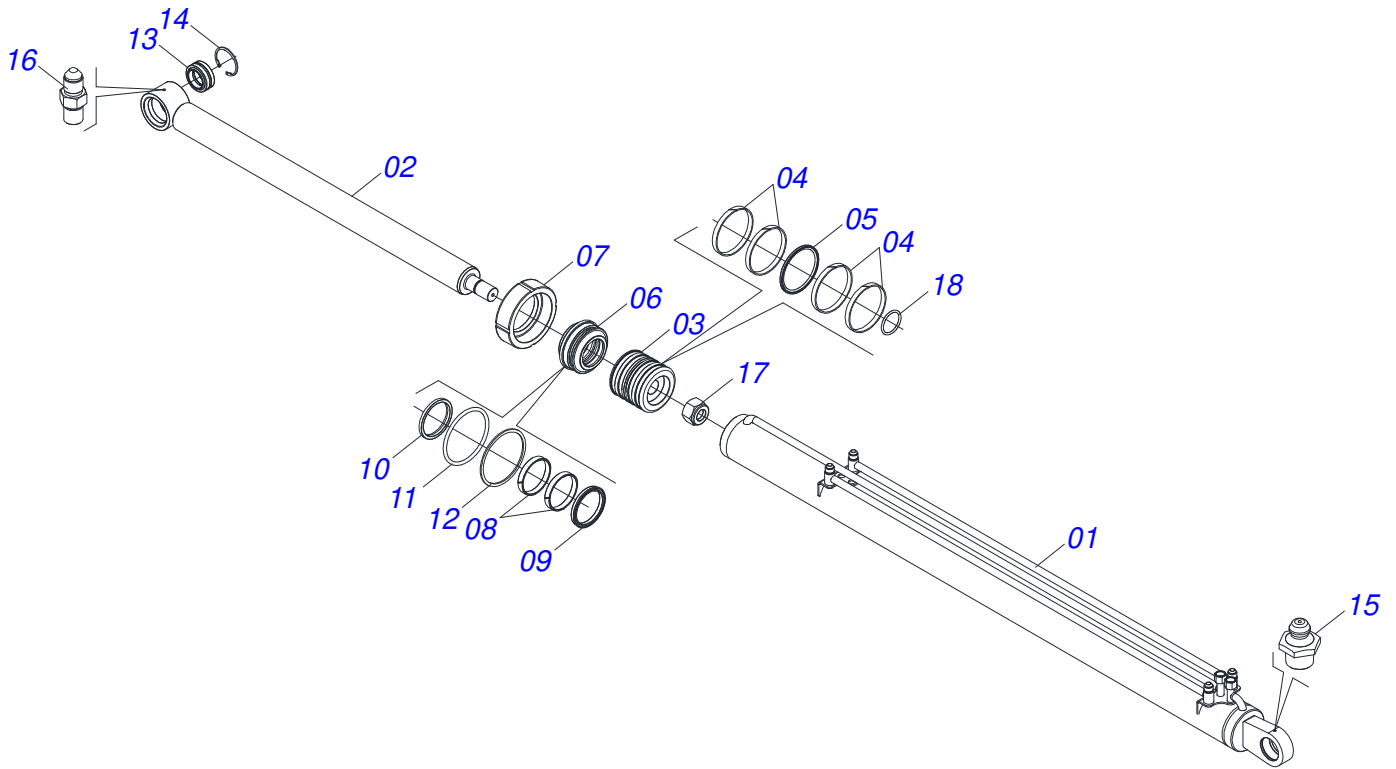
| Item | Code | Description | See page | QT |
|------|------------|----------------------------|----------|----|
| 01 | 0503011424 | QUICK COUPLING COVER (RED) | | 01 |
| 02 | 0503011423 | RING | | 01 |



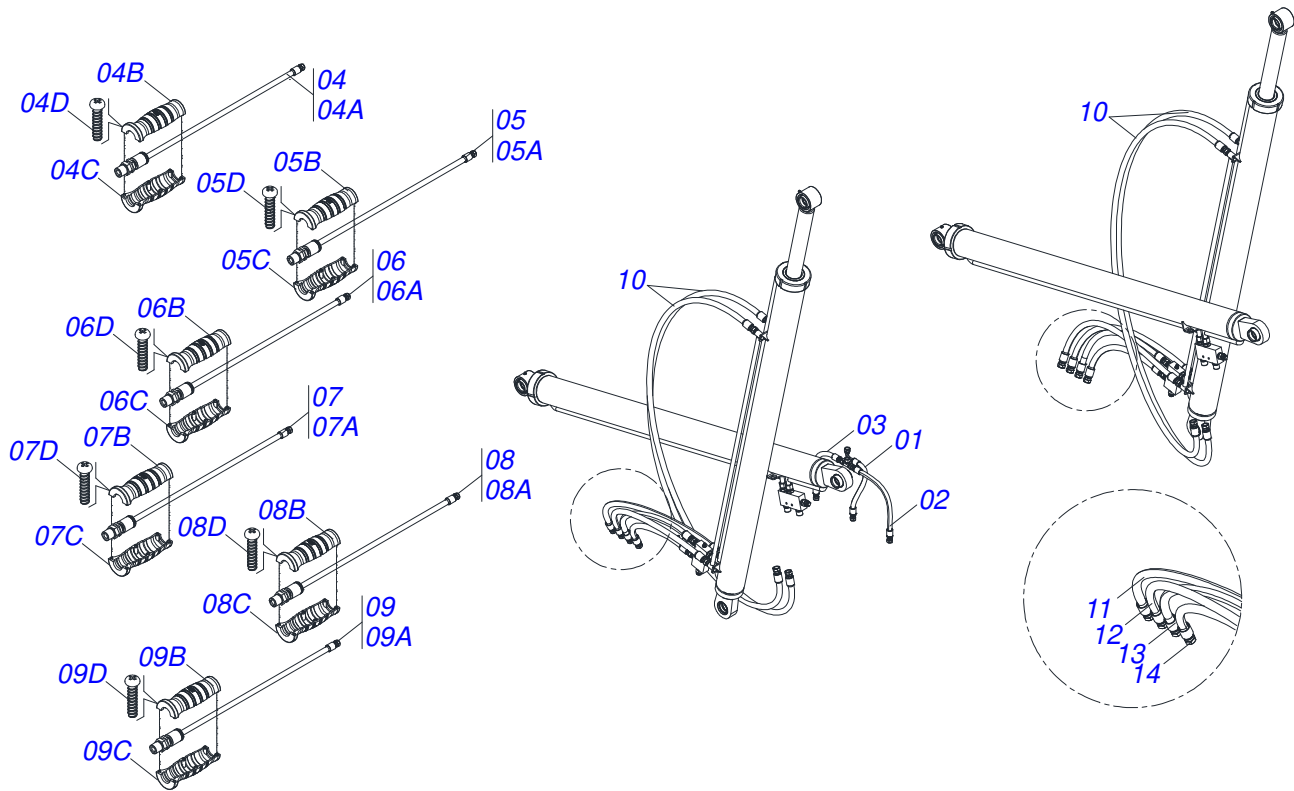
| Item | Code | Description | See page | QT |
|------|------------|----------------------------------------------|----------|-------|
| 01 | 0531061214 | FRONT/REAR OIL DRIVER | | 08 |
| 02 | 0503013535 | ADAPTER T TEE JIC 1.1/16 | | 04 |
| 03 | 0531061215 | CENTRAL SUPPLY OIL CONDUCTOR | | 04 |
| 04 | 0591014841 | MINOR PIPE FIXING CLAMP | | 03 |
| 05 | 0591014842 | BIGGEST PIPE FIXING CLAMP | | 03 |
| 06 | 0531061216 | CYLINDER LEFT REAR DRIVER | | 01 |
| 07 | 0531061217 | RIGHT FRONT CONDUCTOR CYLINDER | | 01 |
| 08 | 0531061218 | RIGHT REAR CONDUCTOR CYLINDER | | 01 |
| 09 | 0531061219 | CYLINDER LEFT FRONT CONDUCTOR | | 01 |
| 10 | 0503010179 | LOCK WASHER 5/16 ZN 1K01528 | | 18 |
| 11 | 0503011053 | 5/16" X 3" C S 6.5 ZN BOLT | | 09 |
| 12 | 0503013096 | 5/16" X 4" BOLT | | 09 |
| 13 | 0503017982 | 7/8" ADAPTER WITH CENTRAL SWIVEL NUT | | 02 |
| 14 | 0521058781 | LIFT CYLINDER WITH VALVE | 23 | 02 |
| 15 | 0571019474 | 2" X 2.50" X 1.02" BUSHING | | 12 |
| 16 | 0503014278 | MP100 PLASTIC PROTECTION SPRING FOR 3/4 HOSE | | 37mts |
| 17 | 3402301204 | OIL HYDRAULIC | | 75Lts |
| 18 | 0521058835 | HOSE KIT | 25 | 01 |
| 19 | 0501053834 | MALE QUICK COUPLER | 26 | 06 |
| 20 | 0503014013 | PROTECTION SPRING | | 04 |
| 21 | 0531053890 | TIPPING CYLINDER WITH VALVE | 27 | 02 |



| Item | Code | Description | See page | QT |
|------|------------|----------------------------------|----------|----|
| 01 | 0521058782 | HYDRAULIC CYLINDER | 24 | 01 |
| 02 | 0581018285 | NIPLE R1.1/16 UN X R3/4 NPT X 64 | | 04 |
| 03 | 0503019881 | VALVE | | 01 |
| 04 | 0503030388 | PLUG N-005 | | 06 |

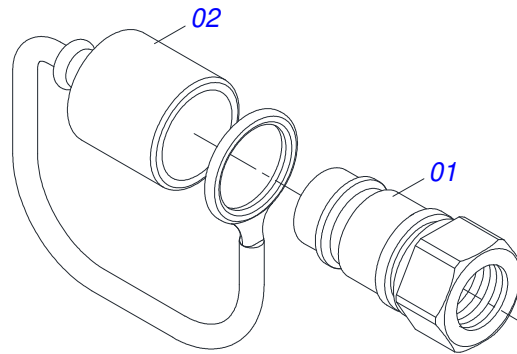


| Item | Code | Description | See page | QT |
|------|------------|-------------------------------|----------|----|
| 01 | 0531061220 | CASE | | 01 |
| 02 | 0521066150 | PISTON ROD | | 01 |
| 03 | 0571019546 | PISTON | | 01 |
| 04 | 0503010974 | W2-5000-500 RING | | 04 |
| 05 | 0503013440 | OE 127 GASKET | | 01 |
| 06 | 0551016696 | RING OF SUPPORT | | 01 |
| 07 | 0502010382 | 5" END CAP | | 01 |
| 08 | 0503013553 | SEAL RING | | 02 |
| 09 | 0503013552 | GASKET | | 01 |
| 10 | 0503012642 | D-3000 SCRAPER RING | | 01 |
| 11 | 0503010351 | 2-425 N 3006-9B O'RING | | 01 |
| 12 | 0503011062 | 8-425 BACK-UP RING | | 01 |
| 13 | 0503013603 | JOINTE | | 02 |
| 14 | 0503013602 | 502075 CLAMPING RING | | 02 |
| 15 | 0503010002 | 1800 GREASE FITTING | | 01 |
| 16 | 0503012776 | 1/8" NF NIPPLE | | 01 |
| 17 | 0503010290 | SELF ADJUSTING 1.1/2" UNF NUT | | 01 |
| 18 | 0503010285 | 2-222 N 3006-9B O'RING | | 01 |
| 19 | 0511034312 | HYDRAULIC CYLINDER REPAIR KIT | | 01 |

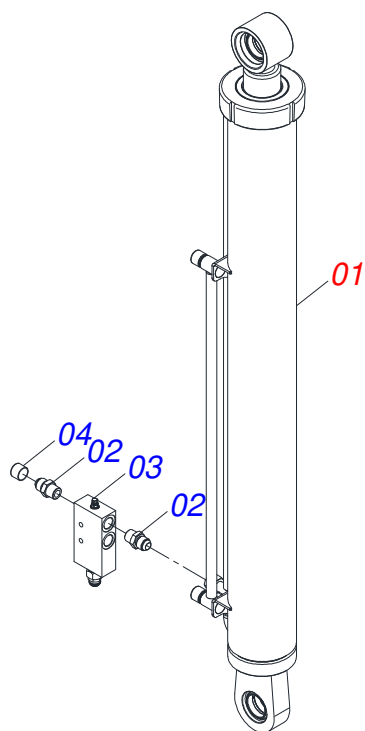


| Item | Code | Description | See page | QT |
|------|------------|---------------------------------------|----------|----|
| 01 | 0501082024 | 1/2" X 17.72" TR-TC HOSE | | 01 |
| 02 | 0501080095 | 1/2" X 21.65" TR-TR HOSE | | 01 |
| 03 | 0501080087 | 1/2" X 17.72" TR-TR HOSE | | 01 |
| 04 | 0521052295 | 3/4" X 141.73" TR-TM BLACK/RED HOSE | | 01 |
| 04A | 0501082179 | 3/4" X 141.73" TR-TM HOSE | | 01 |
| 04B | 0503034492 | HYDRAULIC HOSE GRIP (BLACK) | | 01 |
| 04C | 0503034495 | HYDRAULIC HOSE GRIP (RED) | | 01 |
| 04D | 0503018952 | PH 2,5 X 10 ZB PLASTIC BOLT | | 06 |
| 05 | 0521052296 | 3/4" X 141.73" TR-TM BLACK/BLUE HOSE | | 01 |
| 05A | 0501082179 | 3/4" X 141.73" TR-TM HOSE | | 01 |
| 05B | 0503034492 | HYDRAULIC HOSE GRIP (BLACK) | | 01 |
| 05C | 0503034494 | HYDRAULIC HOSE GRIP (BLUE) | | 01 |
| 05D | 0503018952 | PH 2,5 X 10 ZB PLASTIC BOLT | | 06 |
| 06 | 0521052293 | 3/4" X 141.73" TR-TM GRAY/RED HOSE | | 01 |
| 06A | 0501082179 | 3/4" X 141.73" TR-TM HOSE | | 01 |
| 06B | 0503034489 | HYDRAULIC HOSE GAUNTLET (GRAY) | | 01 |
| 06C | 0503034495 | HYDRAULIC HOSE GRIP (RED) | | 01 |
| 06D | 0503018952 | PH 2,5 X 10 ZB PLASTIC BOLT | | 06 |
| 07 | 0521052294 | 3/4" X 141.73" TR-TM GRAY/BLUE HOSE | | 01 |
| 07A | 0501082179 | 3/4" X 141.73" TR-TM HOSE | | 01 |
| 07B | 0503034489 | HYDRAULIC HOSE GAUNTLET (GRAY) | | 01 |
| 07C | 0503034494 | HYDRAULIC HOSE GRIP (BLUE) | | 01 |
| 07D | 0503018952 | PH 2,5 X 10 ZB PLASTIC BOLT | | 06 |
| 08 | 0521052297 | 3/4" X 141.73" TR-TM PURPLE/RED HOSE | | 01 |
| 08A | 0501082179 | 3/4" X 141.73" TR-TM HOSE | | 01 |
| 08B | 0503034491 | HYDRAULIC HOSE GRIP (PURPLE) | | 01 |
| 08C | 0503034495 | HYDRAULIC HOSE GRIP (RED) | | 01 |
| 08D | 0503018952 | PH 2,5 X 10 ZB PLASTIC BOLT | | 06 |
| 09 | 0521058834 | 3/4" X 141.73" TR-TM PURPLE/BLUE HOSE | | 01 |
| 09A | 0503034494 | HYDRAULIC HOSE GRIP (BLUE) | | 01 |
| 09B | 0503034491 | HYDRAULIC HOSE GRIP (PURPLE) | | 01 |
| 09C | 0503018952 | PH 2,5 X 10 ZB PLASTIC BOLT | | 06 |

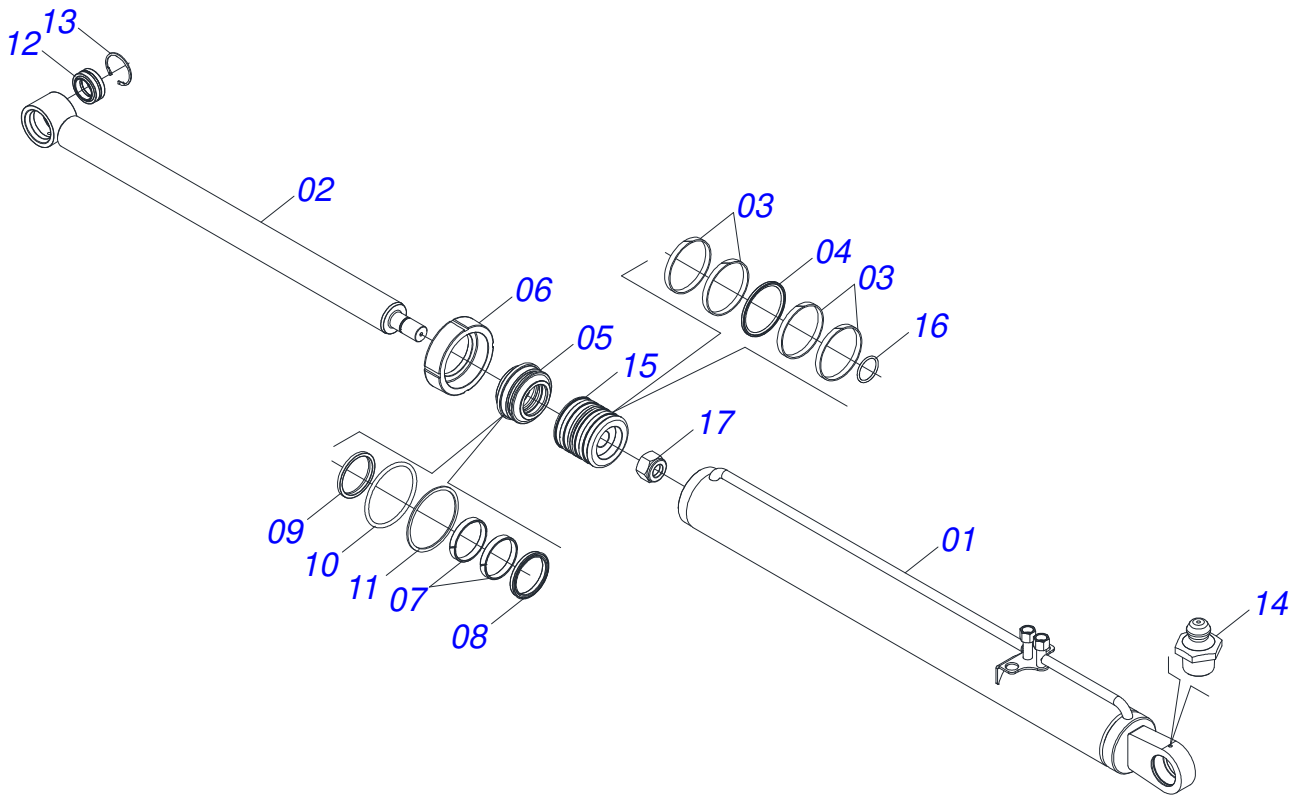
| Item | Code | Description | See page | QT |
|-------------|-------------|-----------------------------------|-----------------|-----------|
| 09D | 0501082179 | 3/4" X 141.73" TR-TM HOSE | | 01 |
| 10 | 0501080874 | 3/4" X 118.11" TR-TR HOSE | | 04 |
| 11 | 0501080232 | 3/4" X 43.30" TR-TR HOSE | | 02 |
| 12 | 0501081309 | 3/4" X 39.37" TR-TR HOSE | | 02 |
| 13 | 0501080219 | 3/4" X 29.53" TR-TR HOSE | | 02 |
| 14 | 0501080186 | 3/4" X 25.59" TR-TR 1G138636 HOSE | | 02 |



| Item | Code | Description | See page | QT |
|------|------------|--------------------------------|----------|----|
| 01 | 0503011627 | MALE QUICK COUPLER AGR 1/2 NPT | | 01 |
| 02 | 0503011882 | MALE QUICK COUPLER CAP | | 01 |

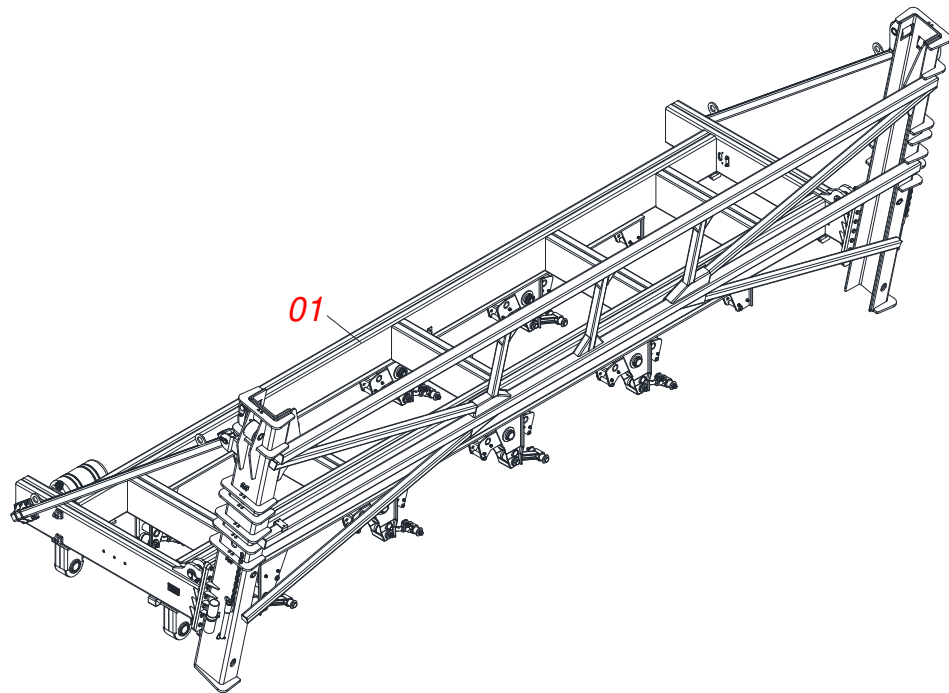


| Item | Code | Description | See page | QT |
|------|------------|----------------------------------|----------|----|
| 01 | 0531053889 | HYDRAULIC SYSTEM | 28 | 01 |
| 02 | 0581018285 | NIPLE R1.1/16 UN X R3/4 NPT X 64 | | 04 |
| 03 | 0503019881 | VALVE | | 01 |
| 04 | 0503030388 | PLUG N-005 | | 02 |

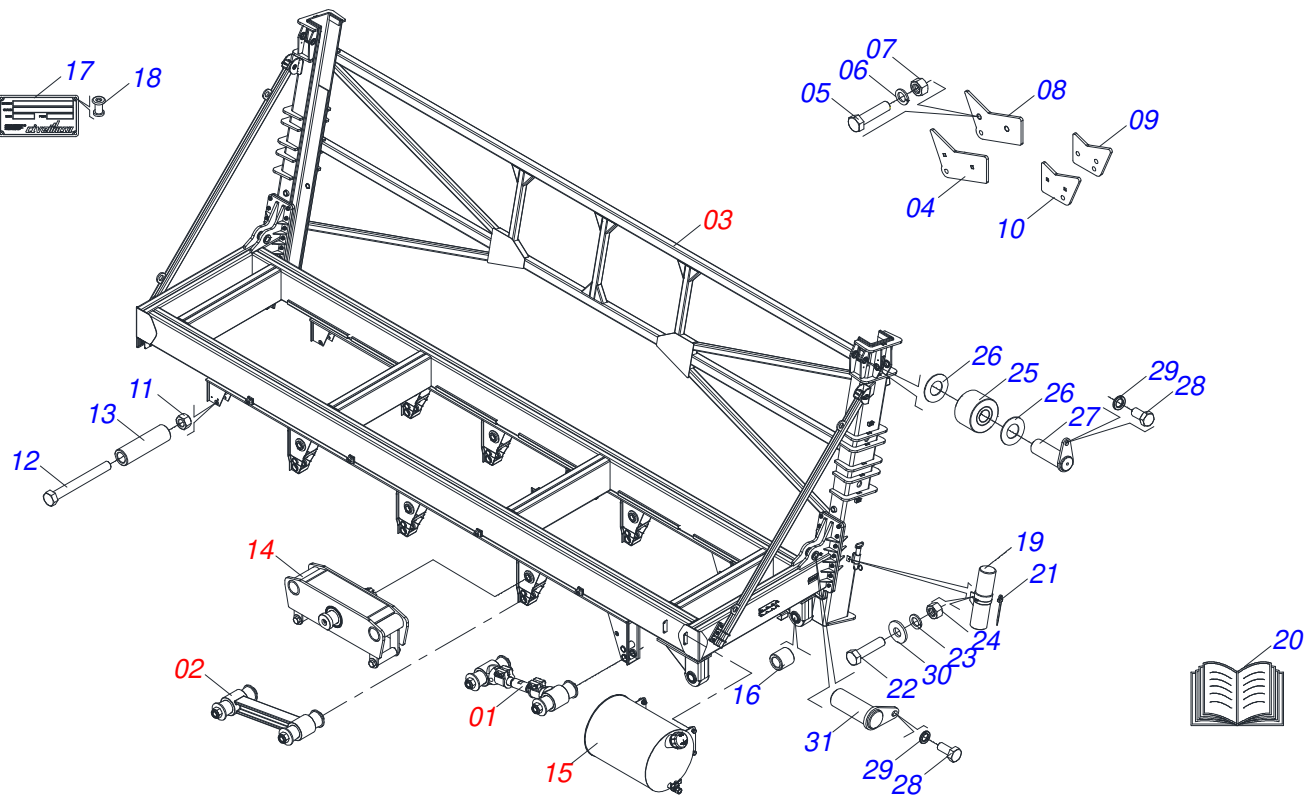


| Item | Code | Description | See page | QT |
|------|------------|-------------------------------|----------|----|
| 01 | 0531063443 | CASE | | 01 |
| 02 | 0531063444 | ROD | | 01 |
| 03 | 0503010974 | W2-5000-500 RING | | 04 |
| 04 | 0503013440 | OE 127 GASKET | | 01 |
| 05 | 0551016696 | RING OF SUPPORT | | 01 |
| 06 | 0502010382 | 5" END CAP | | 01 |
| 07 | 0503013553 | SEAL RING | | 02 |
| 08 | 0503013552 | GASKET | | 01 |
| 09 | 0503012642 | D-3000 SCRAPER RING | | 01 |
| 10 | 0503010351 | 2-425 N 3006-9B O'RING | | 01 |
| 11 | 0503011062 | 8-425 BACK-UP RING | | 01 |
| 12 | 0503013603 | JOINTE | | 02 |
| 13 | 0503013602 | 502075 CLAMPING RING | | 02 |
| 14 | 0503010002 | 1800 GREASE FITTING | | 02 |
| 15 | 0571019546 | PISTON | | 01 |
| 16 | 0503010285 | 2-222 N 3006-9B O'RING | | 01 |
| 17 | 0503010290 | SELF ADJUSTING 1.1/2" UNF NUT | | 01 |
| 18 | 0511034311 | HYDRAULIC CYLINDER REPAIR KIT | | 01 |

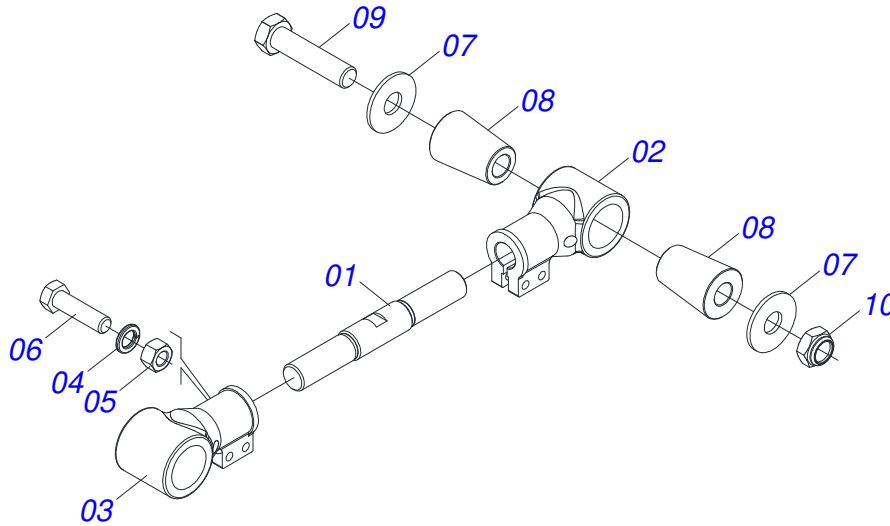
- 02/03
- 04/05
- 06/07
- 08/09
- 10/11
- 12/13
- 14/15
- 16/17
- 18



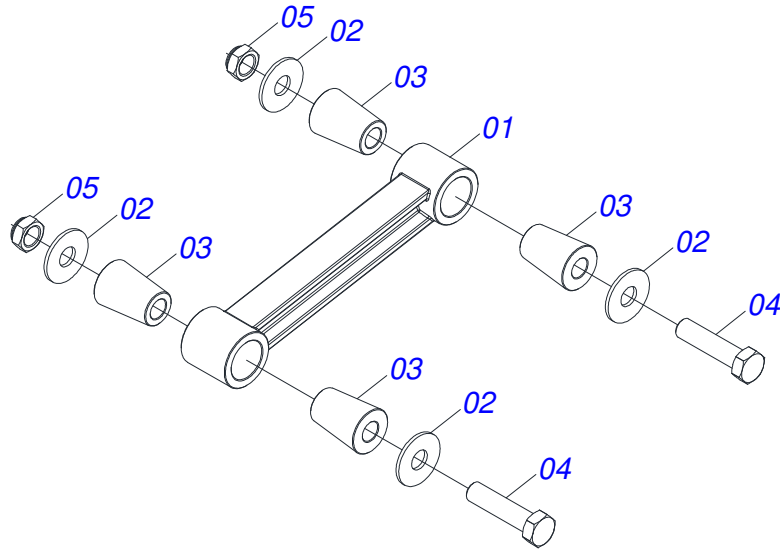
| Item | Code | Description | See page | QT |
|------|------------|------------------------------------------|----------|----|
| 01 | 0521058763 | FRAME | 30 | 01 |
| 02 | 0503034636 | COLORS GRIP DECAL | | 01 |
| 03 | 0503032817 | DANGER SAFETY DECAL | | 02 |
| 04 | 0503032818 | ATTENTION SAFETY DECAL | | 02 |
| 05 | 0503033647 | APPROVED DECAL | | 01 |
| 06 | 0503031428 | ATTENTION READ MANUAL DECAL | | 01 |
| 07 | 0503031942 | MANUAL SEAL DECAL | | 01 |
| 08 | 0503031827 | DAILY LUBRICATION AND RETIGHTENING DECAL | | 04 |
| 09 | 0503013229 | REFLECTIVE SIDE BAND | | 17 |
| 10 | 0503031739 | DANGER DECAL | | 02 |
| 11 | 0503032930 | DANGER DECAL | | 04 |
| 12 | 0503034078 | LIFTING POINTS DECAL | | 04 |
| 13 | 0503033451 | CIVEMASA LOGO DECAL | | 01 |
| 14 | 0503034433 | LOCK SECURITY DECAL | | 02 |
| 15 | 0503032526 | STATIONARY BRAKE VALVE DECAL | | 01 |
| 16 | 0503035260 | TAC 22000 DECAL | | 01 |
| 17 | 0503035261 | TAC 22000 DECAL | | 01 |
| 18 | 0503033237 | CIVEMASA LOGO DECAL | | 01 |



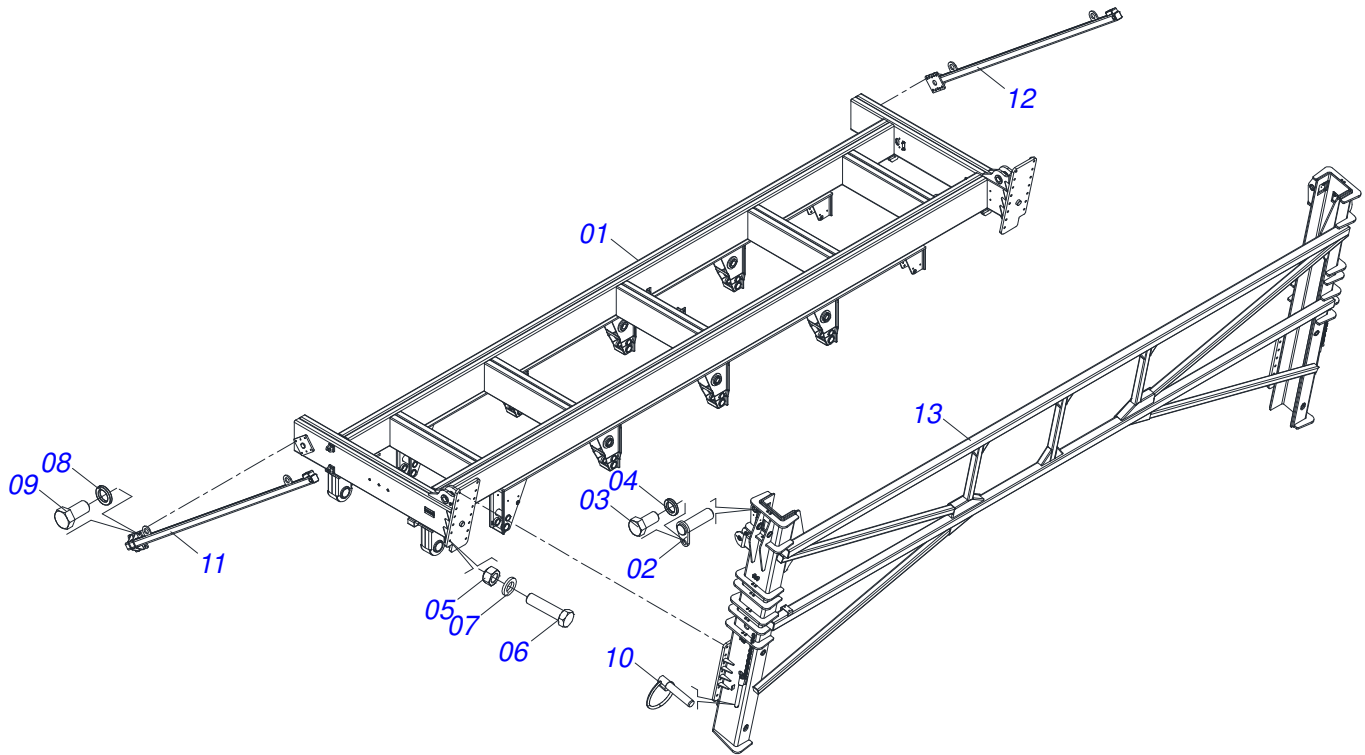
| Item | Code | Description | See page | QT |
|------|------------|---------------------------------|----------|----|
| 01 | 0521058764 | ESTABILIZER ASSY | 31 | 04 |
| 02 | 0521058765 | STABILIZER ARM | 32 | 04 |
| 03 | 0521058766 | FRAME | 33 | 01 |
| 04 | 0591014823 | RIGHT FRONT WEAR PLATE | | 02 |
| 05 | 0503011426 | 7/16" X 1-1/4" BOLT | | 16 |
| 06 | 0503010180 | 7/16" SPRING WASHER | | 16 |
| 07 | 0503010244 | 7/16" NUT | | 16 |
| 08 | 0591014824 | LEFT FRONT WEAR PLATE | | 02 |
| 09 | 0591014825 | LEFT REAR WEAR PLATE | | 02 |
| 10 | 0591014826 | RIGHT REAR WEAR PLATE | | 02 |
| 11 | 0503012412 | 5/8" UNC SELF LOCKING NUT | | 04 |
| 12 | 0501010422 | BOLT 5/8 UNC X 6.1/2 CS G.5 ZN | | 04 |
| 13 | 0581011751 | BUSHING | | 04 |
| 14 | 0521058774 | SUSPENSION ROCKER ASSY | 34 | 06 |
| 15 | 0521054629 | 25/26L WATER TANK | 35 | 01 |
| 16 | 0591014834 | 2.77" X 3.54" X 2.56" BUSHING | | 04 |
| 17 | 0503034004 | ALUMINUM IDENTIFICATION DECAL | | 01 |
| 18 | 0503010001 | RIVET 3,2 X 5,5 | | 04 |
| 19 | 0503060100 | SUPPORT INSTRUCTION MANUAL | | 01 |
| 20 | 0501090906 | INSTRUCTIONS MANUAL | | 01 |
| 21 | 0503010267 | NYLON CLAMP 3,60 X 1,3 X 155 MM | | 01 |
| 22 | 0503010371 | 5/16" X 1" BOLT | | 01 |
| 23 | 0503010179 | LOCK WASHER 5/16 ZN 1K01528 | | 01 |
| 24 | 0503010337 | NUT 5/16 UNC G.5 ZN | | 01 |
| 25 | 0501110784 | PULLEY | | 04 |
| 26 | 0571016249 | FLAT WASHER | | 08 |
| 27 | 0531061212 | AXLE | | 04 |
| 28 | 0503010834 | 1/2 X 1 BOLT | | 06 |
| 29 | 0503010019 | 1/2" SPRING WASHER | | 06 |
| 30 | 0501010694 | FLAT WASHER 32,50 X 75 X 4,75 | | 01 |
| 31 | 0521066148 | 49,5 X 130 AXLE | | 02 |



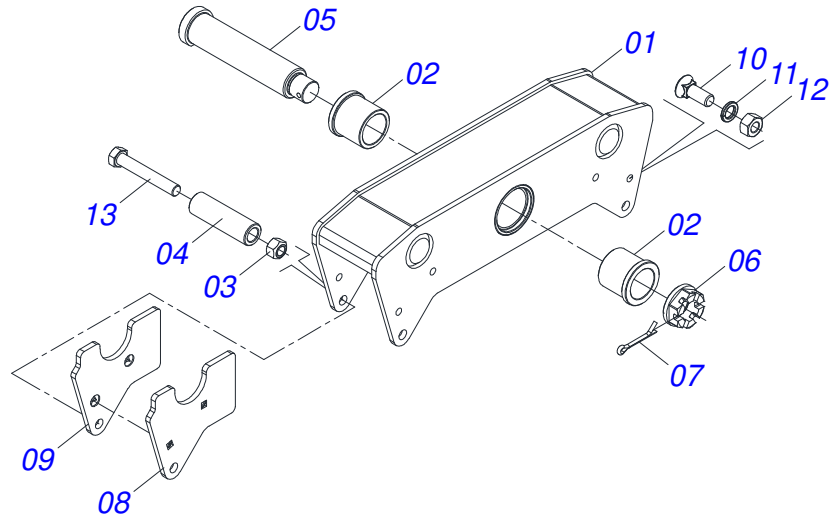
| Item | Code | Description | See page | QT |
|------|------------|--------------------|----------|----|
| 01 | 0541019962 | SPINDLE ARM | | 01 |
| 02 | 0502040608 | STABILIZER ARM | | 01 |
| 03 | 0502040649 | STABILIZER ARM | | 01 |
| 04 | 0503010025 | 3/8" SPRING WASHER | | 04 |
| 05 | 0503010026 | 3/8" NUT | | 04 |
| 06 | 0503011179 | 3/8" X 2-1/4" BOLT | | 04 |
| 07 | 0591014793 | FLAT WASHER | | 04 |
| 08 | 0591014794 | CONICAL BUSHING | | 04 |
| 09 | 0501014172 | 1" X 8" BOLT | | 02 |
| 10 | 0503014182 | SELF-ADJUSTING NUT | | 02 |



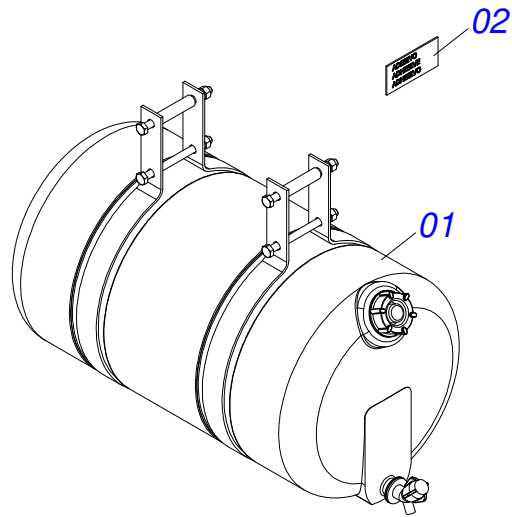
| Item | Code | Description | See page | QT |
|------|------------|--------------------|----------|----|
| 01 | 0502040594 | STABILIZER ARM | | 01 |
| 02 | 0591014793 | FLAT WASHER | | 04 |
| 03 | 0591014794 | CONICAL BUSHING | | 04 |
| 04 | 0501014172 | 1" X 8" BOLT | | 02 |
| 05 | 0503014182 | SELF-ADJUSTING NUT | | 02 |



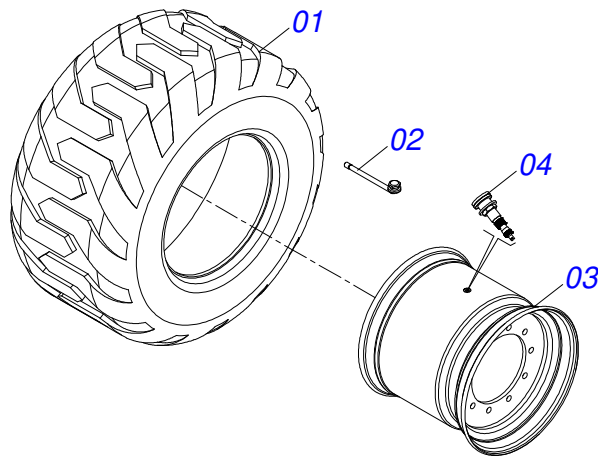
| Item | Code | Description | See page | QT |
|------|------------|---------------------|----------|----|
| 01 | 0531061355 | FRAME FLANGED BASE | | 01 |
| 02 | 0521065778 | 1.25" X 4.09" SHAFT | | 02 |
| 03 | 0503010834 | 1/2 X 1 BOLT | | 02 |
| 04 | 0503010019 | 1/2" SPRING WASHER | | 02 |
| 05 | 0503011255 | 3/4" LOCK NUT | | 30 |
| 06 | 0501010500 | 3/4" X 3" BOLT | | 30 |
| 07 | 0511015255 | FLAT WASHER | | 30 |
| 08 | 0503010027 | 5/8 SPRING WASHER | | 12 |
| 09 | 0503013027 | 5/8" X 1-1/4" BOLT | | 12 |
| 10 | 0503030430 | 7/16 X 2" PIN LOCK | | 02 |
| 11 | 0531061209 | FRONT SUPPORT | | 01 |
| 12 | 0531061210 | REAR SUPPORT | | 01 |
| 13 | 0521066128 | FRAME | | 01 |



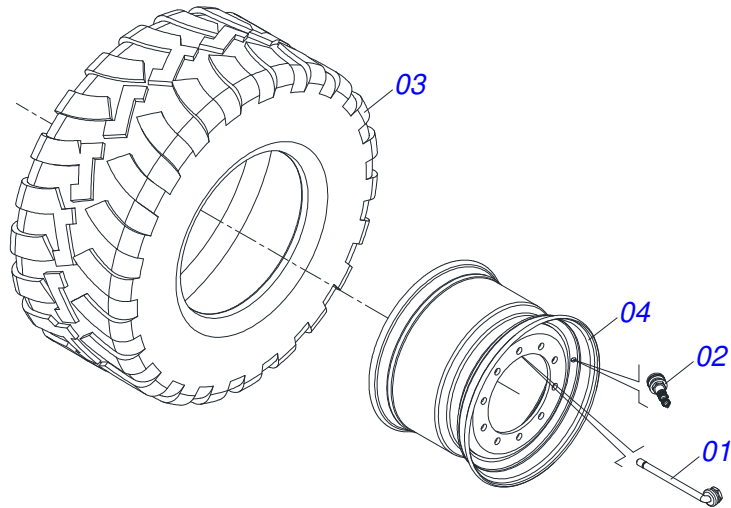
| Item | Code | Description | See page | QT |
|------|------------|--------------------------------|----------|----|
| 01 | 0531061211 | ARM | | 01 |
| 02 | 0541019980 | SLEEVE | | 02 |
| 03 | 0503012412 | 5/8" UNC SELF LOCKING NUT | | 02 |
| 04 | 0581011751 | BUSHING | | 02 |
| 05 | 0591014831 | ARM PIVOT SHAFT | | 01 |
| 06 | 0501013243 | 1.1/2" CASTLE NUT | | 01 |
| 07 | 0503012231 | 1/4" X 3" SPLIT PIN | | 01 |
| 08 | 0591014833 | RIGHT WEAR PLATE ROCKER | | 02 |
| 09 | 0591014832 | LEFT ROCKER WEAR PLATE | | 02 |
| 10 | 0503011426 | 7/16" X 1-1/4" BOLT | | 08 |
| 11 | 0503010180 | 7/16" SPRING WASHER | | 08 |
| 12 | 0503010244 | 7/16" NUT | | 08 |
| 13 | 0501010422 | BOLT 5/8 UNC X 6.1/2 CS G.5 ZN | | 02 |



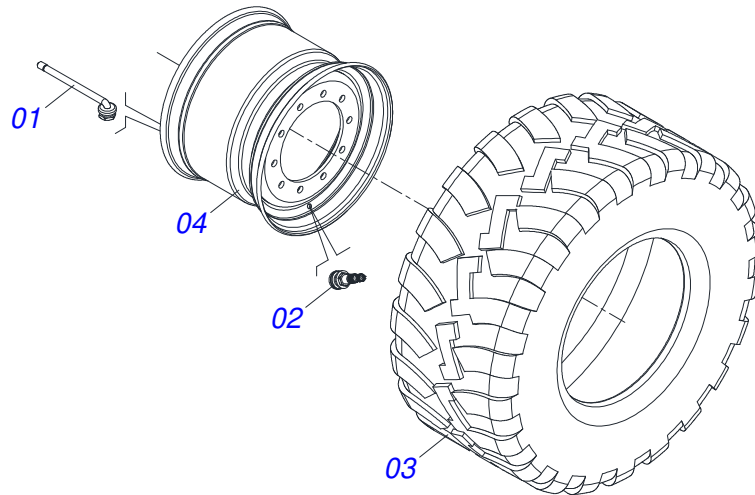
| Item | Code | Description | See page | QT |
|------|------------|---------------------------|----------|----|
| 01 | 0503014820 | WATER JUG 25/26 LITERS | | 01 |
| 02 | 0503032532 | NON-DRINKABLE WATER DECAL | | 01 |



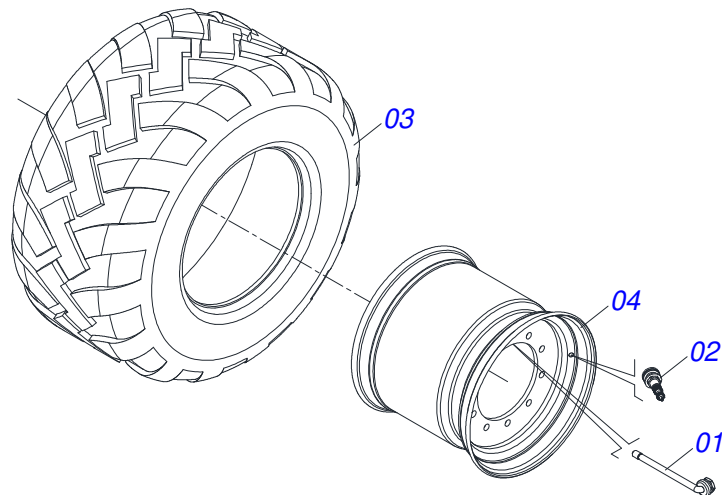
| Item | Code | Description | See page | QT |
|------|------------|--------------------------------|----------|----|
| 01 | 0503015483 | TIRE 600/50-22.5 TL T404 168A8 | | 01 |
| 02 | 0503016045 | VALVE | | 01 |
| 03 | 0503035214 | WHEEL | | 01 |
| 04 | 0503013999 | VALVE 16MM AGR | | 01 |



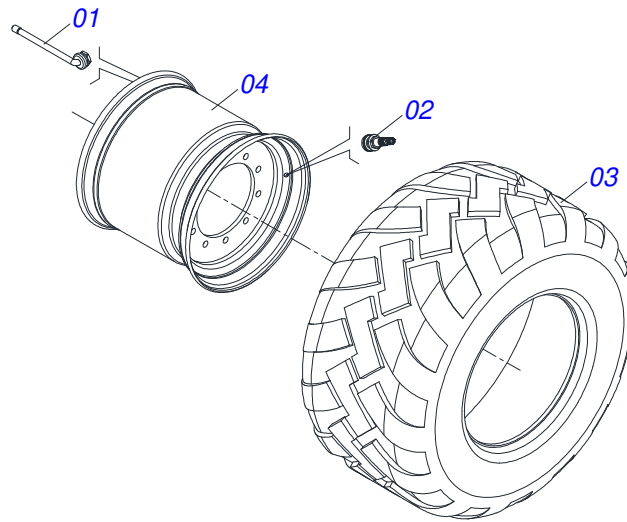
| Item | Code | Description | See page | QT |
|------|------------|------------------------------------|----------|----|
| 01 | 0503016045 | VALVE | | 01 |
| 02 | 0503013999 | VALVE 16MM AGR | | 01 |
| 03 | 0513012410 | 500/60R TIRE | | 01 |
| 04 | 0513012598 | DC15 16 X 22,5 D2200489 C200 WHEEL | | 01 |



| Item | Code | Description | See page | QT |
|------|------------|------------------------------------|----------|----|
| 01 | 0503016045 | VALVE | | 01 |
| 02 | 0503013999 | VALVE 16MM AGR | | 01 |
| 03 | 0513012410 | 500/60R TIRE | | 01 |
| 04 | 0513012598 | DC15 16 X 22,5 D2200489 C200 WHEEL | | 01 |



| Item | Code | Description | See page | QT |
|------|------------|------------------------|----------|----|
| 01 | 0503016045 | VALVE | | 01 |
| 02 | 0503013999 | VALVE 16MM AGR | | 01 |
| 03 | 0503018454 | TIRE 600/50R 22,5 159D | | 01 |
| 04 | 0503035214 | WHEEL | | 01 |



| Item | Code | Description | See page | QT |
|------|------------|------------------------|----------|----|
| 01 | 0503016045 | VALVE | | 01 |
| 02 | 0503013999 | VALVE 16MM AGR | | 01 |
| 03 | 0503018454 | TIRE 600/50R 22,5 159D | | 01 |
| 04 | 0503035214 | WHEEL | | 01 |



civemasa

Technical Publications | Elaboration and Revision
LEONARDO JOSÉ DA SILVA SOUZA

www.civemasa.com.br

