

OVERFLOW TRUCK

TAC 10500 D 2,80/3,0 BALL

Code: 0501093182
Series: S-0616
Revision: 00
Revision Date: OUTUBRO/2021

PARTS CATALOGUE


CIVEMASA

PRODUCTS

Code	Description	
0120420362	TAC 10500 D 2,80/3,0 BOLA	S-0616

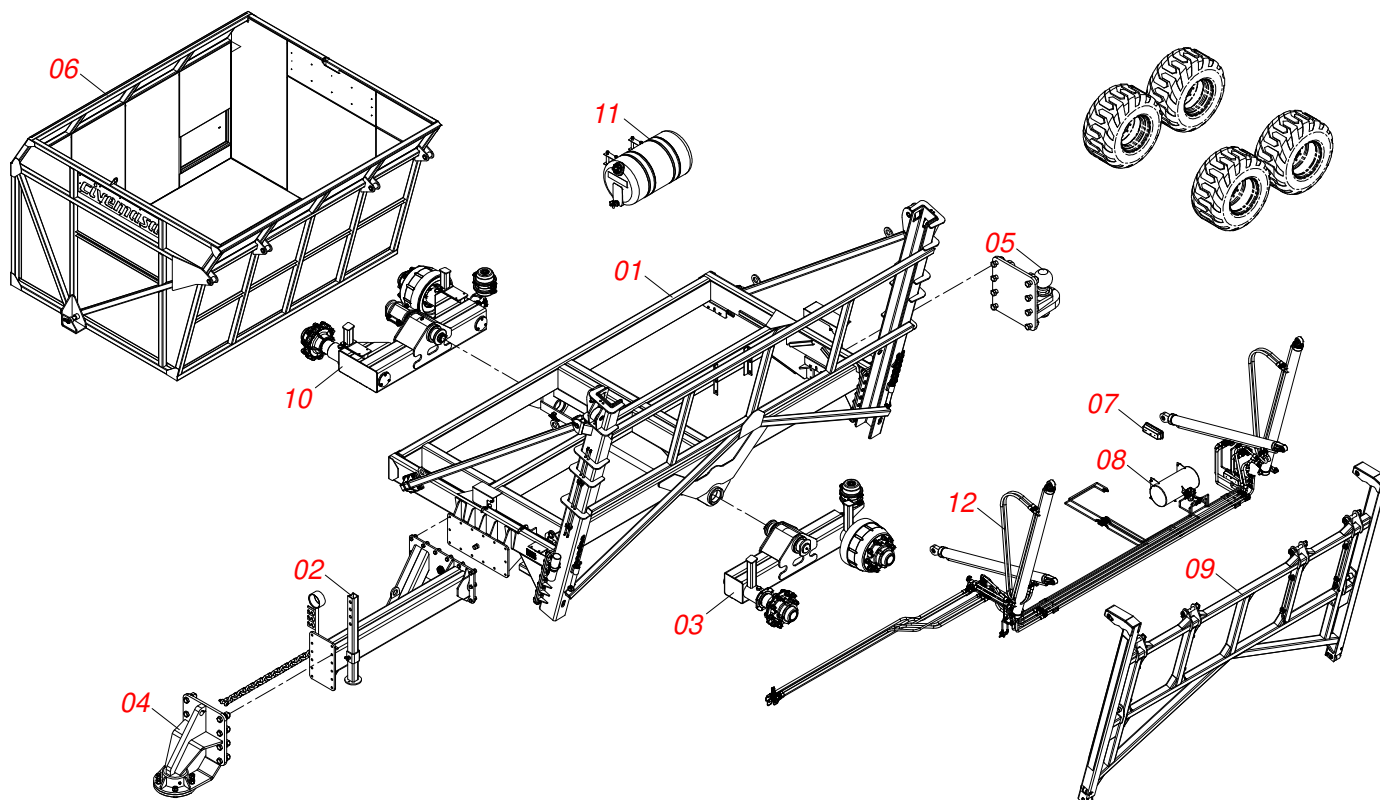
ATTENTION: IMPORTANT

Civemasa reserves the right to improve and / or modify the technical features of its products, without obligation to do the same with those products already sold and without prior knowledge of the dealer or the consumer.

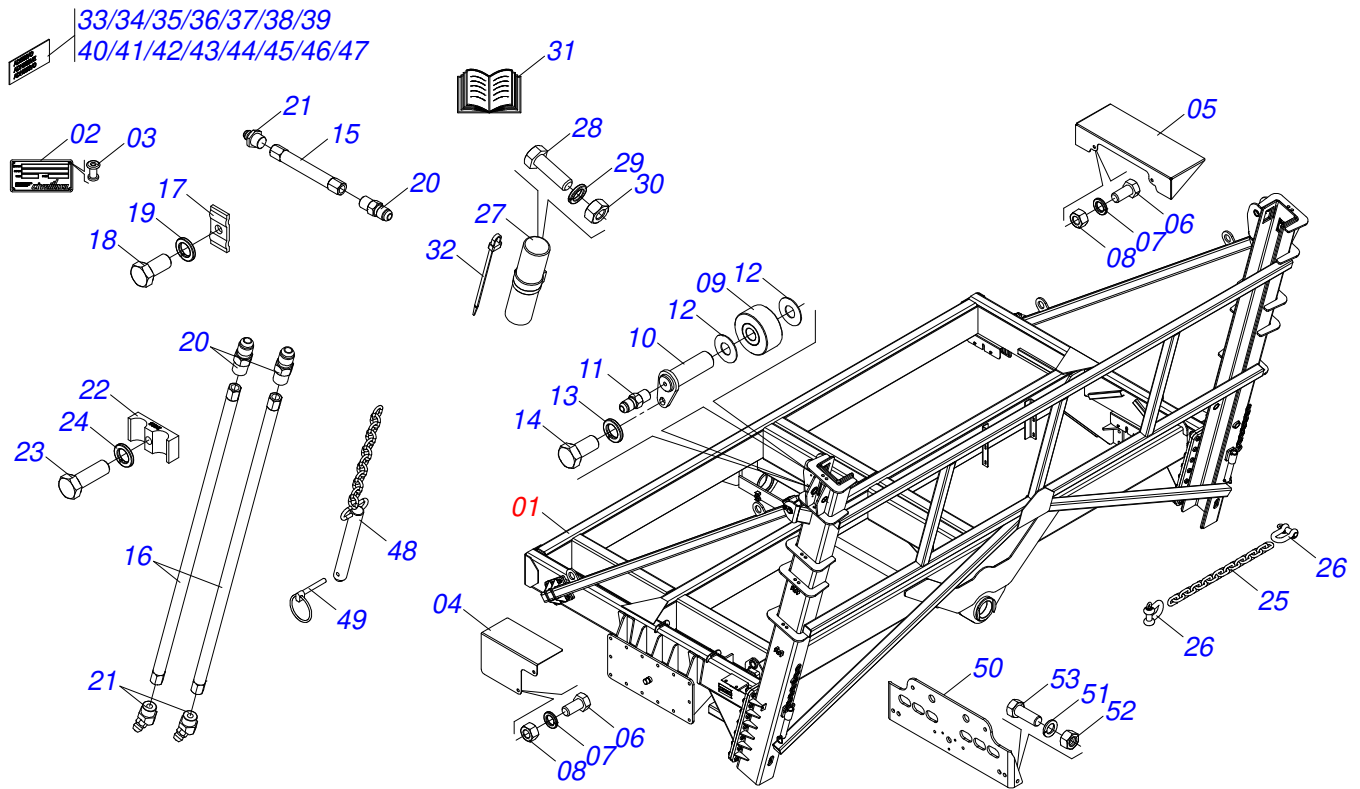


INDEX

0521046839	ASSY FRAME	1
0521050094	SEMI MOUNTED FRAME	2
0511059648	FRAME 2.8/3.0 HEAD DISPLACED	3
0511048340	DRAWBAR	4
0521046955	FULL LEFT ROCKER	5
0521050366	LEFT AND RIGHT BALANCE SHEET	6
0511045858	WHEEL HUB ASSY WITH BRAKE	7
0511048316	HITCH BALL FRONT	8
0511048317	HITCH BALL REAR	9
0511048331	SKEP ASSY	10
0501059627	SISTEM ELECTRICAL	11
0501059628	PNEUMATIC SYSTEM	12
0511047914	LIFT ASSY	13
0521046957	200MM ASSY REGULABLE ROCKER	14
0521050367	ADJUSTABLE ROCKER 200MM	15
0521054629	COROTE WATER 25 / 26L	16
0521050093	HYDRAULIC SYSTEM	17
0531051777	CYLINDER FANLIGHT WITH VALVE	18
0531051778	TIP CYLINDER 76.2 X 101.6 X 2100 X 1640	19
0501059638	HYDRAULIC VALVE EL/PN ASSY	20
0501053835	FEMALE QUICK COUPLER	21
0501053834	MALE QUICK COUPLER WITH CAP - 1/2 NPT	22
0521050095	HOSE GAME	23
0531051602	LIFTING CYLINDER WITH VALVE	24
0531051603	LIFTING CYLINDER 76.2 X 101.6 X 2260 X 2010	25
0503061865	WHEELS AND TIRE	26

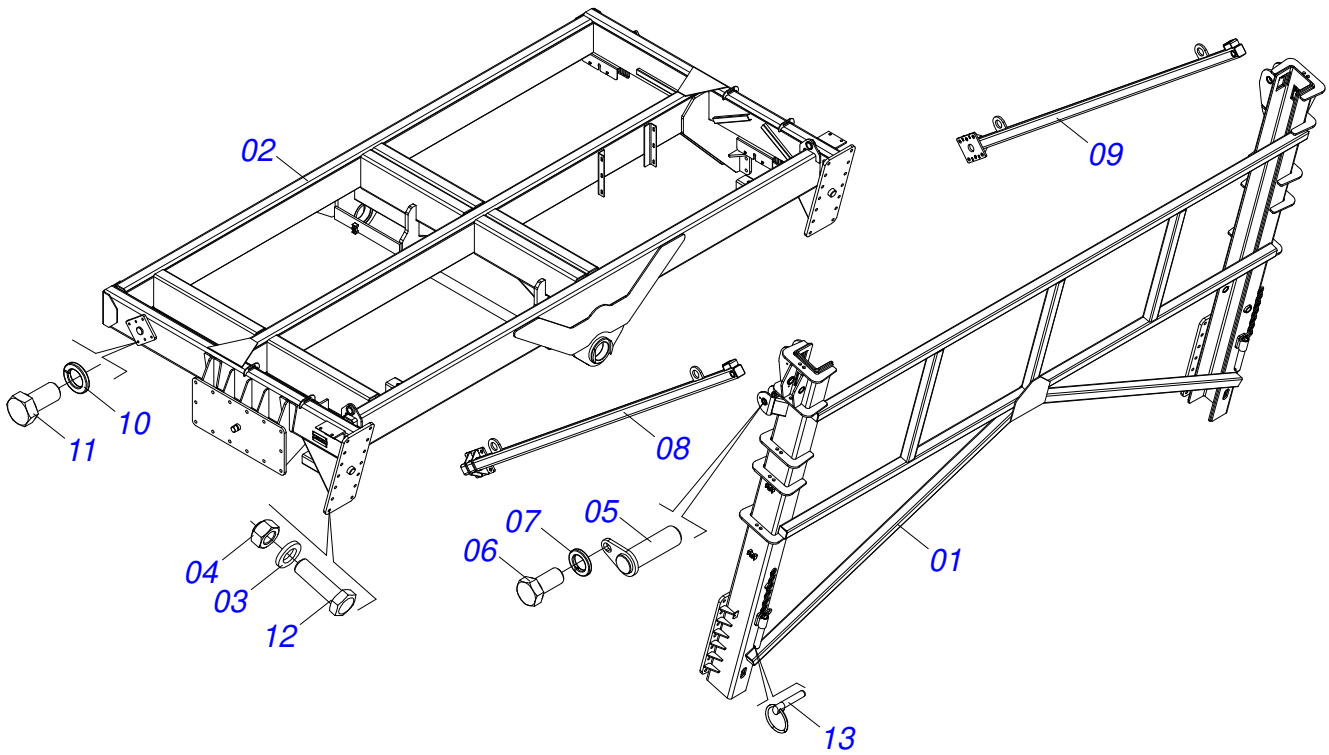


Item	Code	Description	See page	QT
01	0521050094	SEMI MOUNTED FRAME	2	01
02	0511048340	DRAWBAR	4	01
03	0521046955	FULL LEFT ROCKER	5	01
04	0511048316	HITCH BALL FRONT	8	01
05	0511048317	HITCH BALL REAR	9	01
06	0511048331	SKEP ASSY	10	01
07	0501059627	SISTEM ELECTRICAL	11	01
08	0501059628	PNEUMATIC SYSTEM	12	01
09	0511047914	LIFT ASSY	13	01
10	0521046957	200MM ASSY REGULABLE ROCKER	14	01
11	0521054629	COROTE WATER 25 / 26L	16	01
12	0521050093	HYDRAULIC SYSTEM	17	01

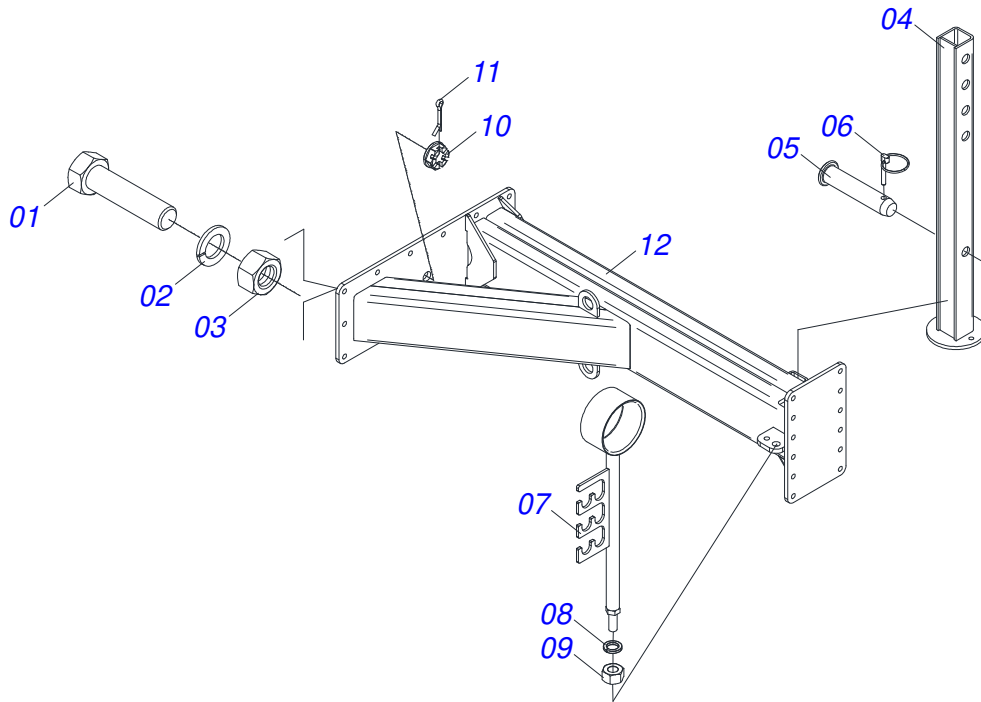


Item	Code	Description	See page	QT
01	0511059648	FRAME 2.8/3.0 HEAD DISPLACED	3	01
02	0503034004	ALUMINUM IDENTIFICATION LABEL		01
03	0503010001	3.2 X 5.5 RIVET		04
04	0561012738	PROTECTION VALVE		01
05	0561017662	PROTECTION PANEL REAR		01
06	0503010256	3/8" X 3/4" BOLT		04
07	0503010025	3/8" SPRING WASHER		04
08	0503010026	3/8" NUT		04
09	0501110526	LOWER PULLEY		04
10	0511067985	PIN UPPER PULLEY		04
11	0503012776	1/8" NF NIPPLE		04
12	0551014871	FLAT WASHER		08
13	0503010019	1/2" SPRING WASHER		04
14	0503010834	1/2 X 1 BOLT		04
15	0511069600	GREASE TUBE		01
16	0511068779	GREASE TUBE GUIDE		04
17	0531011180	UPPER BODY CLIP		05
18	0503010237	3/8" X 1" BOLT		05
19	0503010025	3/8" SPRING WASHER		05
20	0503012776	1/8" NF NIPPLE		06
21	0503010004	1890 GREASE FITTING		05
22	0502012623	UPPER BODY HOSE CLAMP 3/4		02
23	0503010849	3/8" X 1-1/2" BOLT		02
24	0503010025	3/8" SPRING WASHER		02
25	0503014120	CHAIN		01
26	0503014321	CABLE STEEL SHACKLE		02
27	0503060100	OPERATOR'S MANUAL STORAGE TUBE		01
28	0503010371	5/16" X 1" BOLT		01
29	0503010179	5/16" ZN SPRING WASHER		01
30	0503010337	5/16" NUT		01
31	0511032054	BAG WITH MANUAL TAC		01

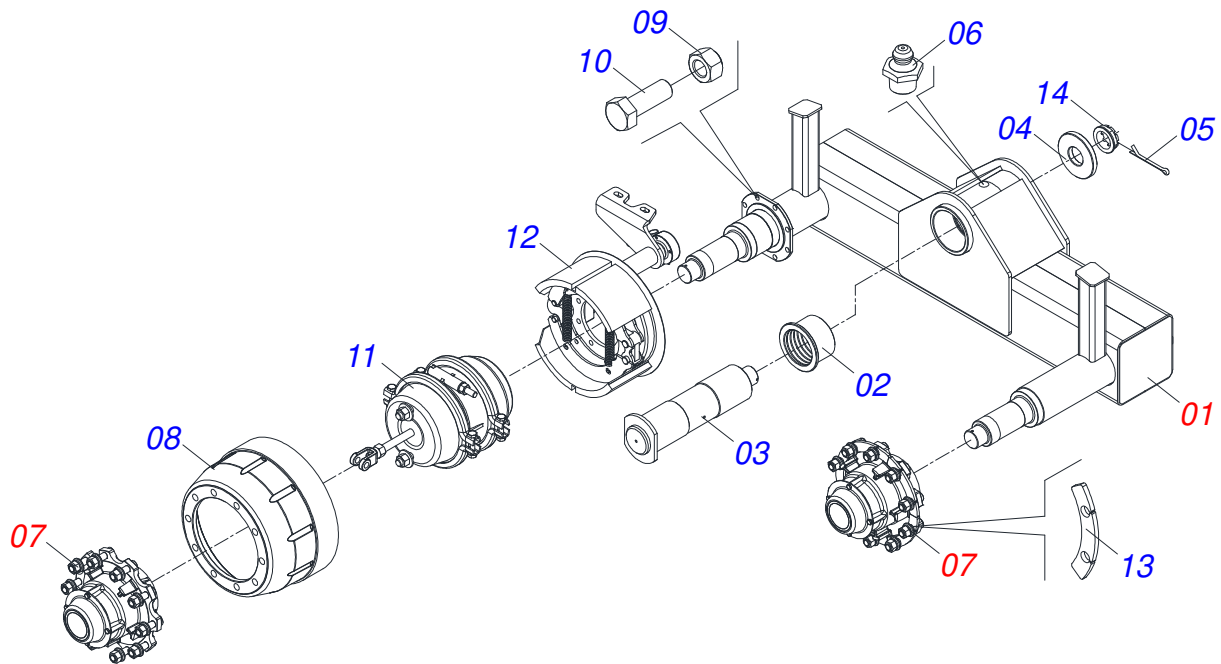
Item	Code	Description	See page	QT
32	0503010267	NYLON CLAMP		01
33	0503034177	CIVEMASA LOGO EMBLEM 1740 X 290		01
34	0503034190	EMBLEM TAC 10500 1740 X 290		01
35	0503061866	SECURITY BADGES SET		01
36	0503032817	EMBLEM DANGER SAFETY		02
37	0503032818	ATTENTION BADGE		02
38	0503033647	APPROVED BADGE		01
39	0503031428	READ MANUAL DECAL		01
40	0503031942	ADHESIVE LABEL		01
41	0503031827	LUBRICATE AND RETIGHTEN DAILY DECAL		02
42	0503013229	REFLECTIVE SIDE BAND		14
43	0503034433	ADHESIVE LABEL LOCKS SECURITY		02
44	0503034186	EMBLEM TAC 10500 830 X 140		03
45	0503033239	ADHESIVE		02
46	0503031739	ADHESIVE LABEL		02
47	0503035495	COLOR HANDLE ADHESIVE LABEL		01
48	0521067346	38,1 X 285 PIN WITH HANDLE		02
49	0503030430	7/16 X 2" PIN LOCK		02
50	0551010708	HYDRAULIC PANEL		02
51	0503010025	3/8" SPRING WASHER		04
52	0503010026	3/8" NUT		04
53	0501011643	3/8 X 1"BOLT		04
54	3402301204	OIL HYDRAULIC		48Lts
55	3914303047	LOCTITE 567 ADHESIVE		0,125Lts



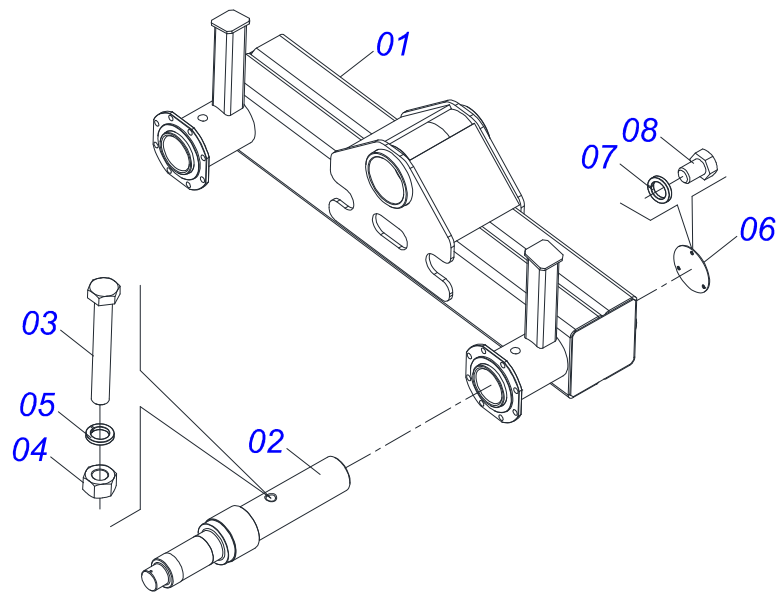
Item	Code	Description	See page	QT
01	0521067189	GUIDE FRAME (176X4360) FLANGED		01
02	0521067186	FRAME BASE 2.80/3.0		01
03	0511015255	FLAT WASHER		28
04	0503011255	3/4" LOCK NUT		28
05	0521065778	AXLE		02
06	0503010834	1/2 X 1 BOLT		02
07	0503010019	1/2" SPRING WASHER		02
08	0521067187	FRONT FRENCH HAND		01
09	0521067188	REAR FRENCH HAND		01
10	0503010027	5/8" SPRING WASHER		12
11	0503013027	5/8" X 1-1/4" BOLT		12
12	0501010125	3/4" X 2-1/2" BOLT		28
13	0503030430	7/16 X 2" PIN LOCK		02



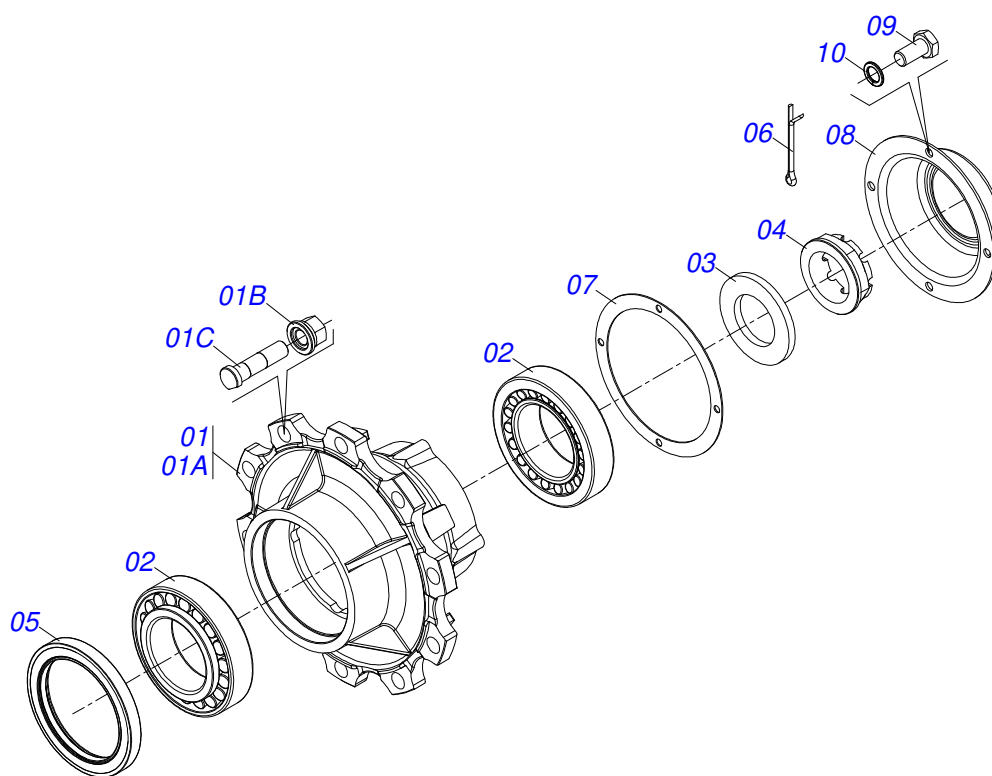
Item	Code	Description	See page	QT
01	0501010125	3/4" X 2-1/2" BOLT		14
02	0503010023	3/4" SPRING WASHER		14
03	0503010014	3/4" NUT		14
04	0521061378	STRUT		01
05	0521010579	COUPLING SHAFT		01
06	0503030085	LOCK PIN		01
07	0521061379	HOSE HOLDER		01
08	0503010023	3/4" SPRING WASHER		01
09	0503010014	3/4" NUT		01
10	0501011301	1.1/2 UNC 6FPP 2.5/16 NUT		01
11	0503010010	1/4" X 2.1/2" COTTERPIN		01
12	0521061349	HEADER		01



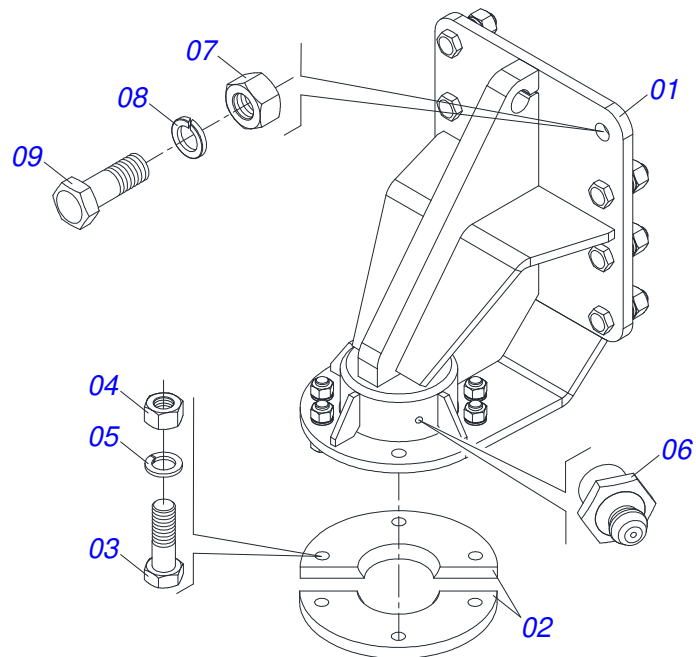
Item	Code	Description	See page	QT
01	0521050366	LEFT AND RIGHT BALANCE SHEET	6	01
02	0531016429	BUSHING		02
03	0521062517	PIVOT SHAFT		01
04	0551012036	FLAT WASHER		01
05	0503012213	1/4" COTTERPIN		01
06	0503010002	1800 GREASE FITTING		01
07	0511045858	WHEEL HUB ASSY WITH BRAKE	7	02
08	0502020688	BRAKE DRUM		01
09	0503012412	5/8 UNC SELF LOCKING NUT		08
10	0501010100	SCREW 5/8 UNC X 2 CS G.5 ZN		08
11	0503014053	BREAK		01
12	0503014056	SPRING BRAKE TUBE		01
13	0561015521	FLANGE		10
14	0581013528	FLANGED NUT		01



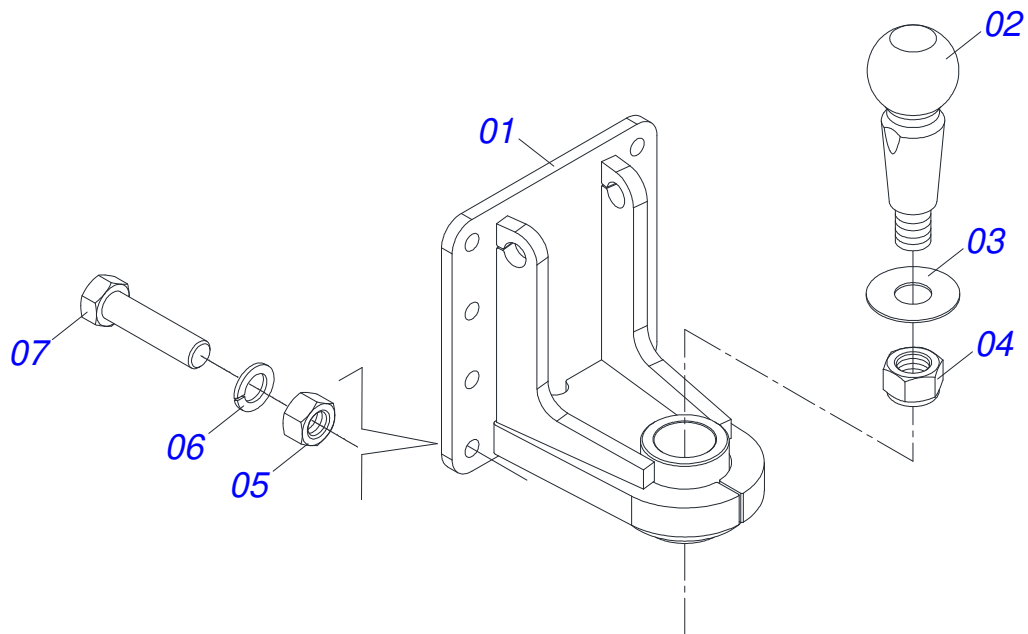
Item	Code	Description	See page	QT
01	0521067334	LEFT/RIGHT BALANCE BODY		01
02	0581013527	CARRYING WHEELS AXLE		02
03	0501010219	1" X 7-1/2" BOLT		02
04	0501010059	1.5/8 NUT		02
05	0503010012	1" SPRING WASHER		02
06	0551010696	CARRYING WHEELS AXLE COVER		02
07	0503010025	3/8" SPRING WASHER		06
08	0503010206	3/8" X 1/2" BOLT		06



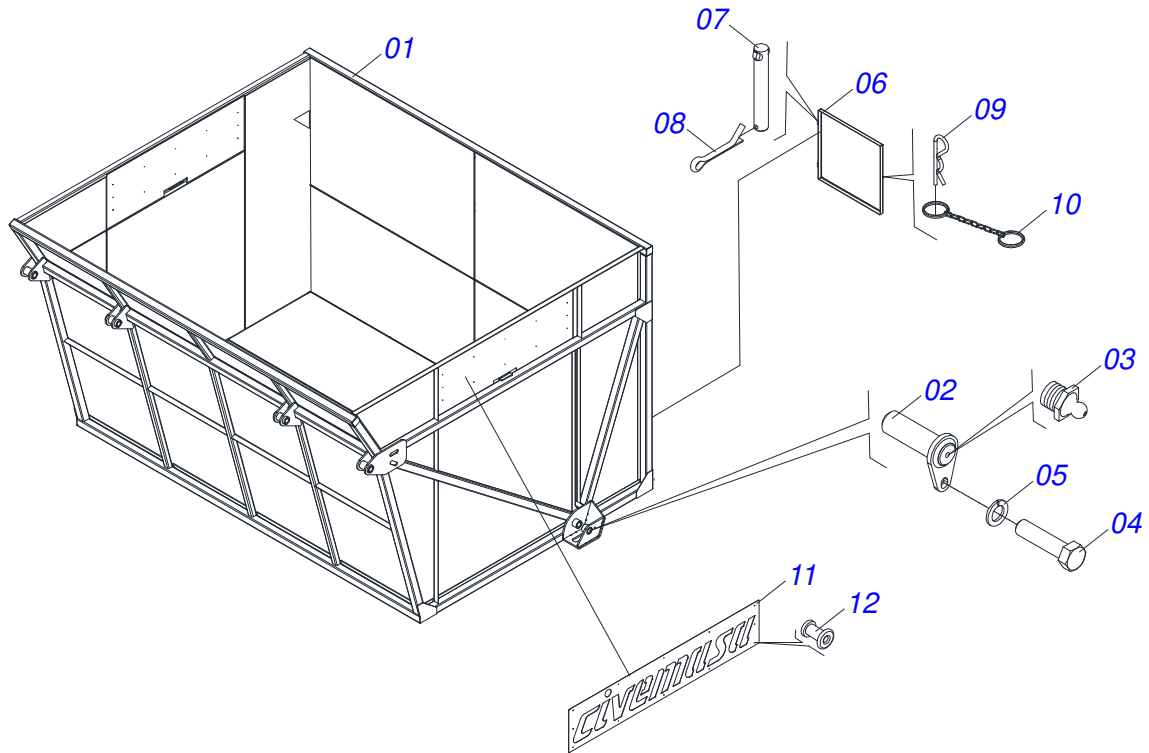
Item	Code	Description	See page	QT
01	0501110771	CARRYING WHEEL HUB		01
01A	0502012462	WHEEL HUB		01
01B	0503014048	22 X 1.5 HEX NUT		10
01C	0503014049	M22 X 1,5 X 89/97" BOLT		10
02	0503010118	32218 BEARING		02
03	0531019986	64 X 110 X 9.5 FLAT WASHER		01
04	0502040080	FLANGE NUT R.2.1/2 UN		01
05	0503013541	RETAINER		01
06	0503012213	1/4" COTTERPIN		01
07	0503013548	JOINT CORK		01
08	0503013549	HUB COVER		01
09	0503013546	BOLT SX MA5,8 M10X1,5X20ZA DI		04
10	0503013542	M10 SPRING WASHER		04



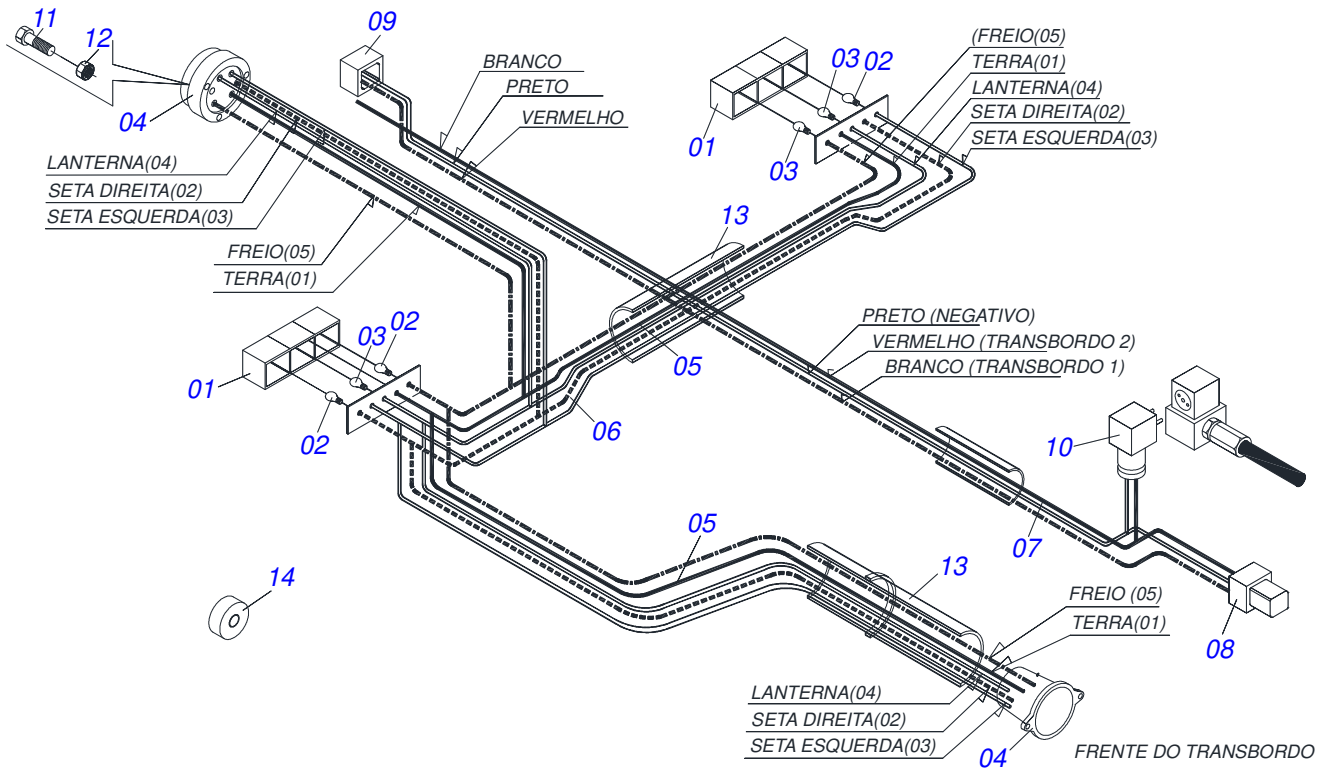
Item	Code	Description	See page	QT
01	0521061354	HITCH BALL FRONT		01
02	0551016939	FLANGE BI-LEAVING		02
03	0501010100	SCREW 5/8 UNC X 2 CS G.5 ZN		06
04	0503010013	5/8" NUT		06
05	0503010023	3/4" SPRING WASHER		08
06	0503010002	1800 GREASE FITTING		01
07	0503010014	3/4" NUT		08
08	0503010027	5/8" SPRING WASHER		06
09	0501010125	3/4" X 2-1/2" BOLT		08



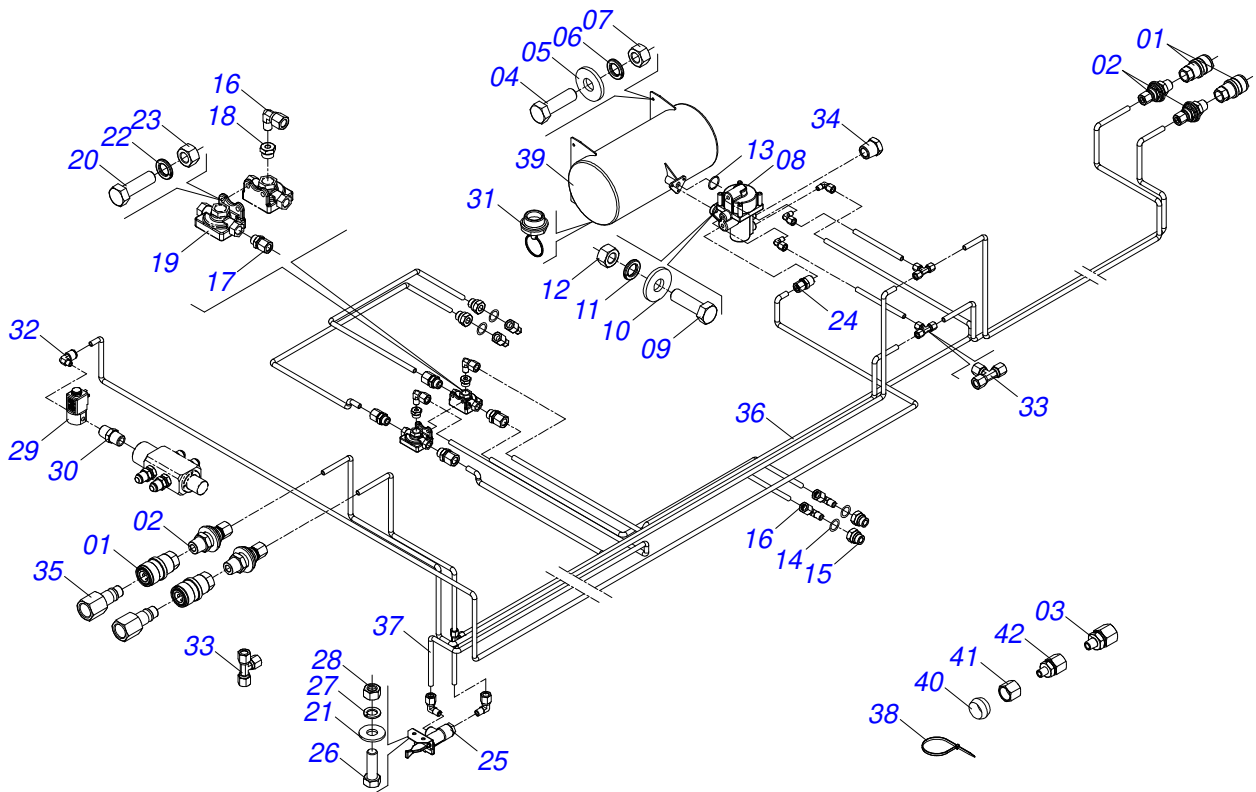
Item	Code	Description	See page	QT
01	0521061361	HITCH BALL REAR		01
02	0541015756	HITCH PIN MALE		01
03	0521011721	1.6" X 3.94" X 0.12" WASHER		01
04	0503010290	SELF ADJUSTING 1.1/2" UNF NUT		01
05	0503010023	3/4" SPRING WASHER		08
06	0503010014	3/4" NUT		08
07	0501010125	3/4" X 2-1/2" BOLT		08



Item	Code	Description	See page	QT
001	0521060738	BASKET		01
002	0511067982	PIVOT SHAFT BOX CYLINDER		02
003	0503010002	1800 GREASE FITTING		02
004	0503010834	1/2 X 1 BOLT		02
005	0503010019	1/2" SPRING WASHER		02
006	0511067601	COVER DOOR		01
007	0521010553	0.5" X 3" COUPLING SHAFT		02
008	0503010257	1/8" X 1" COTTERPIN		02
009	0503030168	HAIR PIN		01
010	0503011423	RING		01
011	0561016687	LOGO BRAND CIVEMASA BASKET TAC 10500		02
012	0503010001	3.2 X 5.5 RIVET		24

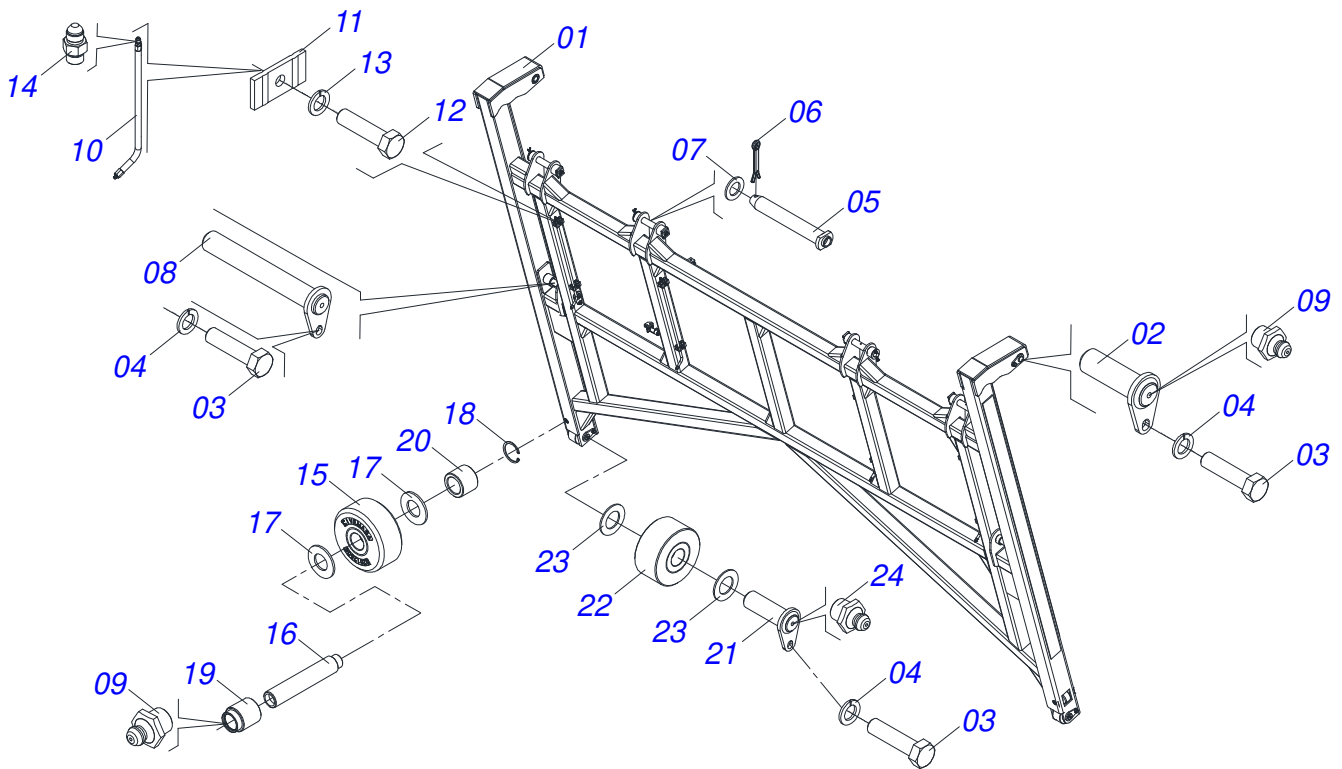


Item	Code	Description	See page	QT
01	0503032811	FLASHLIGHT	02	
02	0503032812	1141 12V LAMP	04	
03	0503032813	67 12V 5W LAMP	02	
04	0503062399	ELECTRIC CONNECTION	01	
05	0503013224	CABLE PP	12M	
06	0503015497	CABLE PP	03M	
07	0503014046	CABLE PP	11M	
08	0503013789	CONNECTOR 4V/1,5MM	01	
09	0503013790	FEMALE CONNECTOR 4V/1,5MM	01	
10	0503013566	PARKER PLUG	01	
11	0503017866	3/16" X 1,1/2" BOLT	03	
12	0503010667	3/16" NUT	03	
13	3505151602	TUBE	0,4M	
14	0503014461	INSULATION TAPE 19MM X 20MT	01Rolo	

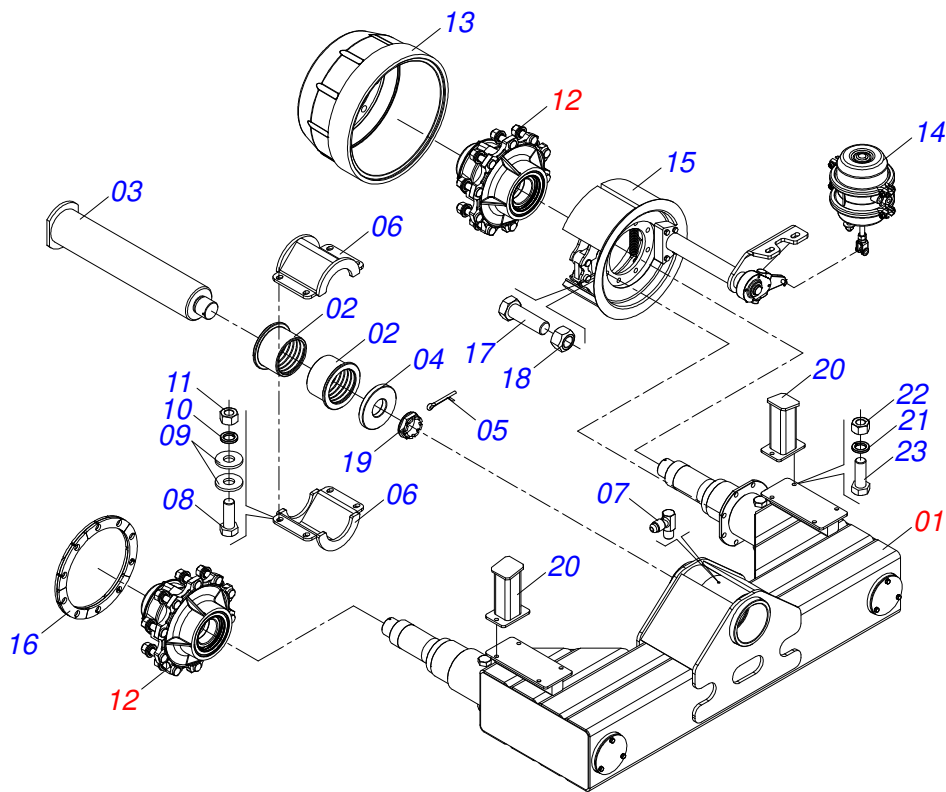


Item	Code	Description	See page	QT
01	0503014140	FEMALE QUICK COUPLER	04	
02	0503014138	UNION ANTEP TUBE	04	
03	0503014116	CONNECTOR MALE	01	
04	0503010237	3/8" X 1" BOLT	06	
05	0501010984	FLAT WASHER	06	
06	0503010025	3/8" SPRING WASHER	06	
07	0503010026	3/8" NUT	06	
08	0503032389	VALVE	01	
09	0503010751	C3/8" X 1.1/4" HEX BOLT G.5	03	
10	0501013518	FLAT WASHER	03	
11	0503010025	3/8" SPRING WASHER	03	
12	0503010026	3/8" NUT	03	
13	0503013421	2-125 N O'RING	01	
14	0503010605	O'RING	04	
15	0503014037	REDUCTION	04	
16	0503032307	CONNECT ELBOW	11	
17	0503014216	MALE CONNECTOR	04	
18	0503013481	REDUCTOR	02	
19	0503014038	VALVE	02	
20	0503010371	5/16" X 1" BOLT	02	
21	0501010694	8.5 X 18 X 1.5 FLAT WASHER	02	
22	0503010179	5/16" ZN SPRING WASHER	02	
23	0503010337	5/16" NUT	02	
24	0503014213	MALE CONNECTOR	01	
25	0503014039	VALVE DRIVE 1/4 9201001G37571	01	
26	0503010282	1/4" X 3/4" BOLT	02	
27	0503010143	1/4" SPRING WASHER	02	
28	0503010144	1/4" NUT	02	
29	0503032387	VALVE PN	01	
30	0503014486	NIPLE	01	
31	0503013523	VALVE	01	

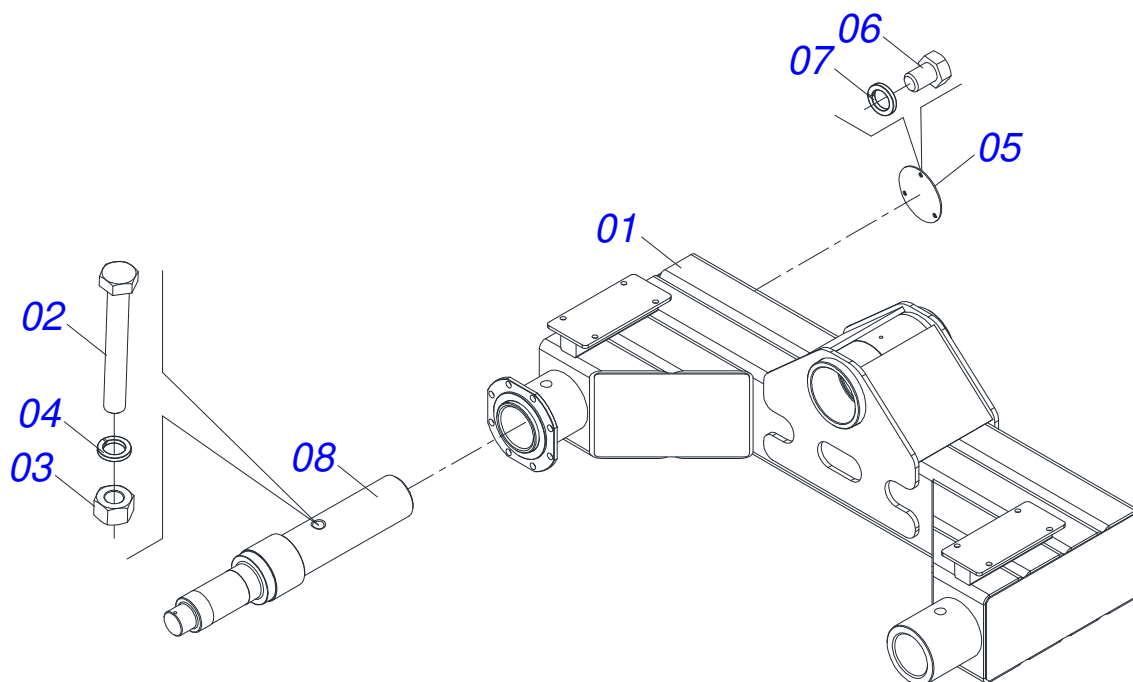
Item	Code	Description	See page	QT
32	0503015499	ELBOW		01
33	0503032301	CONNECTION		03
34	0503013518	1/4" PLUG		02
35	0503013515	QUICK CONECTION		04
36	0503014002	ADAPTER		30
37	0503032835	1/2 TUBE		27mts
38	0503013527	CLAMP ZIPER		30
39	0503033132	RESERVOIR AR 36L (CYLINDER)		01
40	0503014000	TECALON TUBER RING		11
41	0503014139	TUBE NUT TECALON 1/2 1G104545		11
42	0503014117	MALE CONNECTOR		02



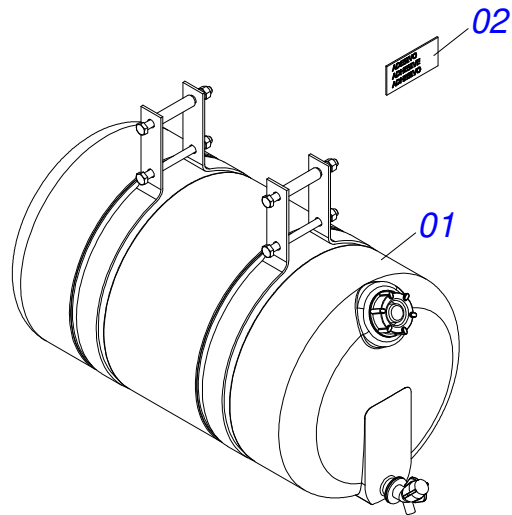
Item	Code	Description	See page	QT
01	0511068752	FRAME LIFT TCA 10500 CHE		01
02	0511068767	PIN FIXER		02
03	0503010834	1/2 X 1 BOLT		06
04	0503010019	1/2" SPRING WASHER		06
05	0511068336	PIVOT SHAFT SKEP		04
06	0503010534	3/8 X 2-1/2 COTTERPIN		04
07	0501012916	FLAT WASHER 38,50 X 66 X 4,75 ZN		04
08	0511067983	PIVOT SHAFT		02
09	0503010002	1800 GREASE FITTING		08
10	0511068768	GREASE TUBE LIFT		04
11	0531011180	UPPER BODY CLIP		08
12	0503010751	C3/8" X 1.1/4" HEX BOLT G.5		08
13	0503010025	3/8" SPRING WASHER		08
14	0503012776	1/8" NF NIPPLE		09
15	0501110540	PULLEY SIDE ELEVATION		02
16	0551014860	PIN LOWER SIDE LIFT		02
17	0551014872	FLAT WASHER		04
18	0503014307	SEAL RING		02
19	0551014874	SLEEVE		02
20	0551014873	SLEEVE		02
21	0511068766	PIN POULIE 38,1 X 110		02
22	0501110526	LOWER PULLEY		02
23	0551015940	FLAT WASHER		04
24	0503010691	1/4" GREASE FITTING		02



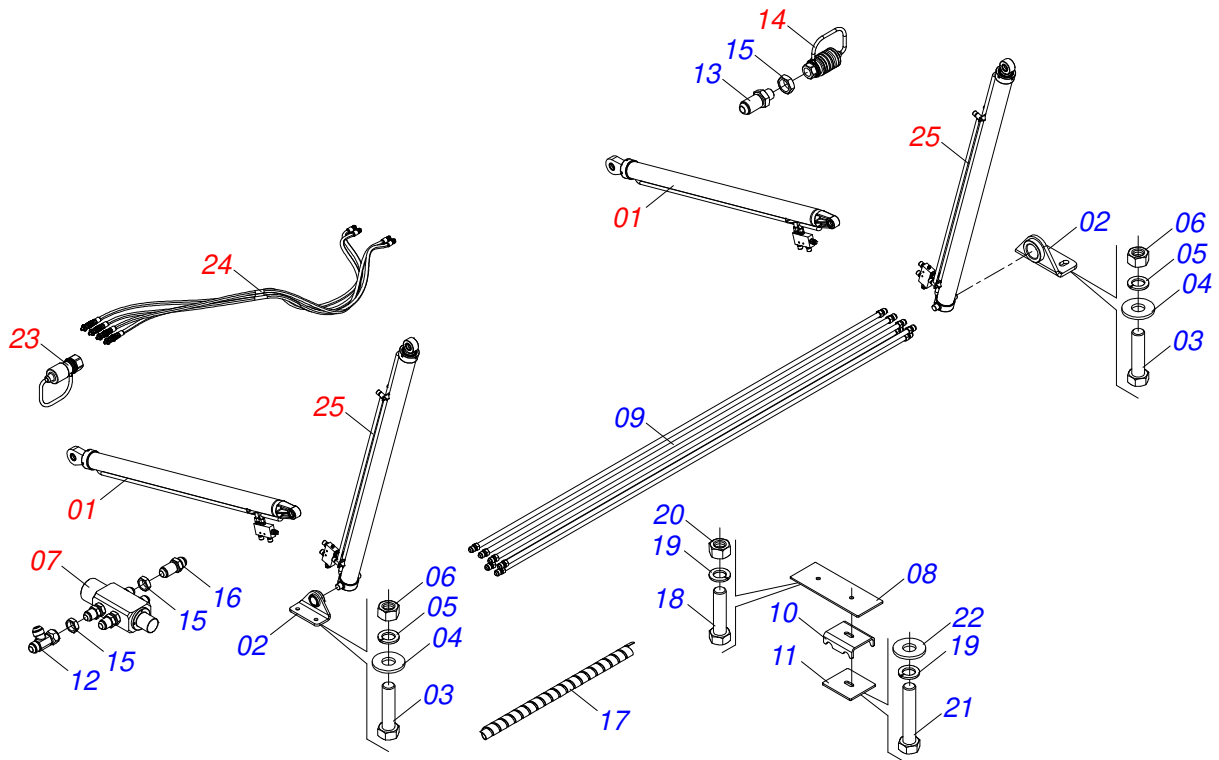
Item	Code	Description	See page	QT
01	0521050367	ADJUSTABLE ROCKER 200MM	15	01
02	0531016429	BUSHING		02
03	0521062616	PIVOT SHAFT		01
04	0551012036	FLAT WASHER		01
05	0503012213	1/4" COTTERPIN		01
06	0521061870	SPACER BELL CRANK		02
07	0503012777	90G ELBOW		01
08	0503010232	5/8" X 1.3/4" BOLT		04
09	0501012140	FLAT WASHER		08
10	0503010027	5/8" SPRING WASHER		04
11	0503010013	5/8" NUT		04
12	0511045858	WHEEL HUB ASSY WITH BRAKE	7	02
13	0502020688	BRAKE DRUM		01
14	0503014056	SPRING BRAKE TUBE		01
15	0503014052	BRAKE		01
16	0561015521	FLANGE		10
17	0501010100	SCREW 5/8 UNC X 2 CS G.5 ZN		08
18	0503012412	5/8 UNC SELF LOCKING NUT		08
19	0581013528	FLANGED NUT		01
20	0511069601	BEATER BELL CRANK		02
21	0503010019	1/2" SPRING WASHER		04
22	0503010060	1/2" NUT		04
23	0503010395	1/2" X 1-1/4" BOLT		04



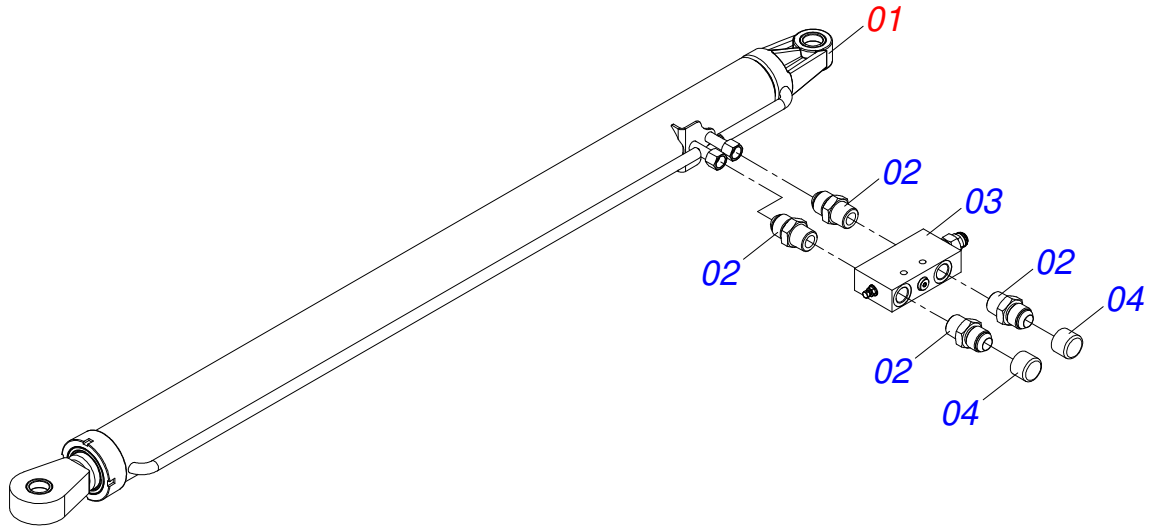
Item	Code	Description	See page	QT
01	0521067525	ADJUSTABLE ROCKER BODY	01	
02	0501010219	1" X 7-1/2" BOLT	02	
03	0501010059	1.5/8 NUT	02	
04	0503010012	1" SPRING WASHER	02	
05	0551010696	CARRYING WHEELS AXLE COVER	02	
06	0503010206	3/8" X 1/2" BOLT	06	
07	0503010025	3/8" SPRING WASHER	06	
08	0581013527	CARRYING WHEELS AXLE	02	



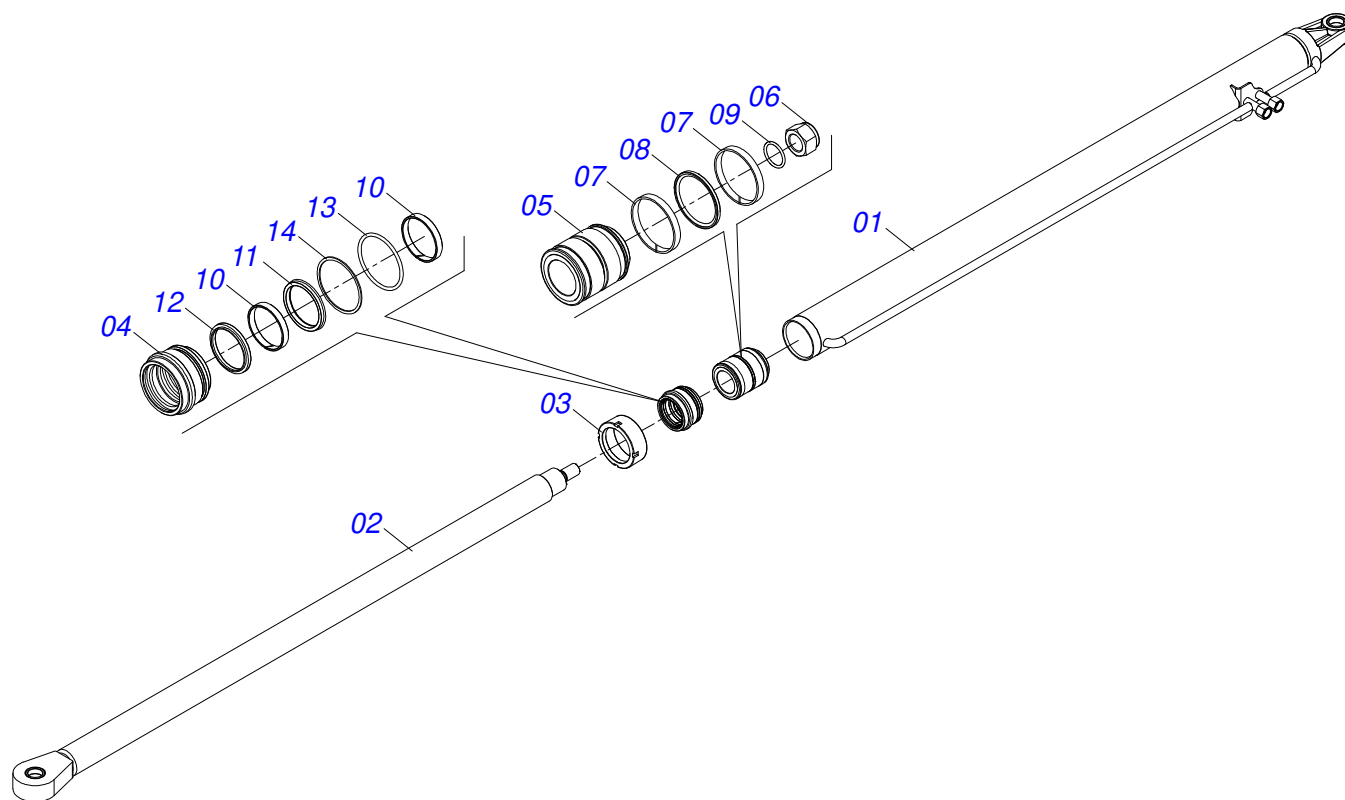
Item	Code	Description	See page	QT
01	0503014820	COROTE BLACK WATER		01
02	0503032532	EMBLEM WATER NOT POTAVEL		01



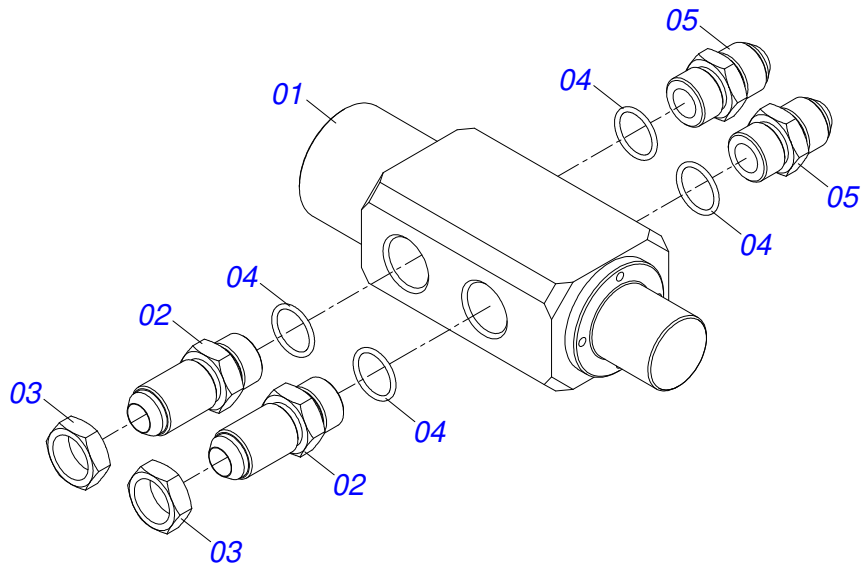
Item	Code	Description	See page	QT
01	0531051777	CYLINDER FANLIGHT WITH VALVE	18	02
02	0511068514	BEARING		02
03	0503010232	5/8" X 1.3/4" BOLT		04
04	0501012140	FLAT WASHER		04
05	0503010027	5/8" SPRING WASHER		04
06	0503010013	5/8" NUT		04
07	0501059638	HYDRAULIC VALVE EL/PN ASSY	20	01
08	0551015937	FIXER PLATE PIPING		02
09	0511069769	TUBE TAC 10500		06
10	0561013211	FIXER LOWER TUBING		02
11	0561013212	PLATE LOWER FIXER		02
12	0503013534	ADAPTER T TEE		08
13	0561011869	R.1.1/16 UNF X 1/2 NPT X 75,5 NIPPLE		04
14	0501053835	FEMALE QUICK COUPLER	21	04
15	0541016752	1.1/4"X 1.1/16" UN X 11 NUT HEX		06
16	0541016751	NIPPLE		02
17	0503014278	MP100 PLASTIC PROTECTION SPRING FOR 3/4 HOSE		01
18	0503011268	3/8" X 2-1/2" BOLT		02
19	0503010025	3/8" SPRING WASHER		04
20	0503010026	3/8" NUT		04
21	0503011123	BOLT		02
22	0501010984	FLAT WASHER		02
23	0501053834	MALE QUICK COUPLER WITH CAP - 1/2 NPT	22	04
24	0521050095	HOSE GAME	23	01
25	0531051602	LIFTING CYLINDER WITH VALVE	24	02



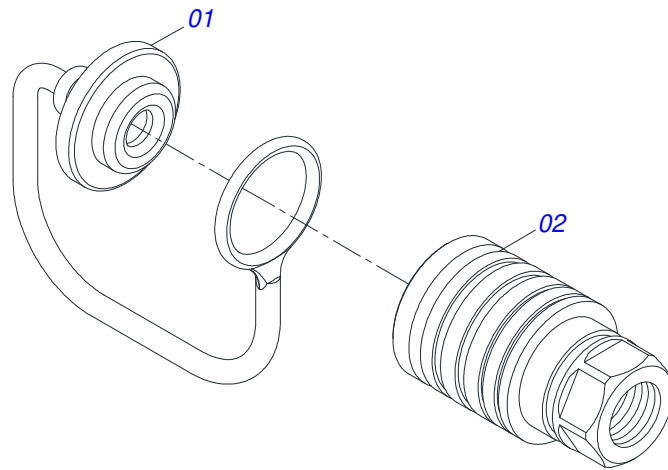
Item	Code	Description	See page	QT
01	0531051778	TIP CYLINDER 76.2 X 101.6 X 2100 X 1640	19	01
02	0581018285	NIPLE R1.1/16 UN X R3/4 NPT X 64		04
03	0503019881	VALVE		01
04	0503030388	PLUG N-005		02



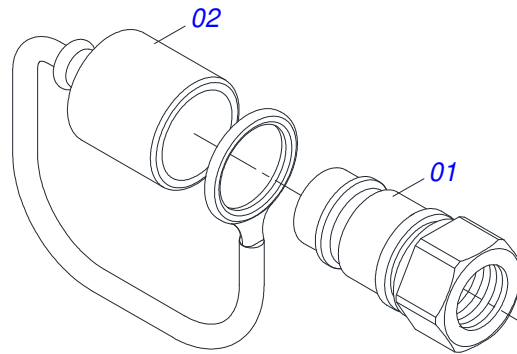
Item	Code	Description	See page	QT
01	0531062518	CASE 101,6 X 1950		01
02	0521060537	ROD CILINDER ROCKER		01
03	0541019606	MOBILE COVER		01
04	0551016445	RING SUPPORT		01
05	0551016446	101.6 X 63.5 PISTON		01
06	0503010817	1.1/4" SELF LOCKING NUT		01
07	0503010994	W2-4000-500 PK RING G.E		02
08	0503012725	GASKET		01
09	0503010345	2-218 N 3006-9B O'RING		01
10	0503013553	SEAL RING		02
11	0503013552	GASKET		01
12	0503012642	D-3000 SCRAPER RING		01
13	0503010338	2-342 N 3006-9B O'RING		01
14	0503011061	8-342 BACK-UP RING		01



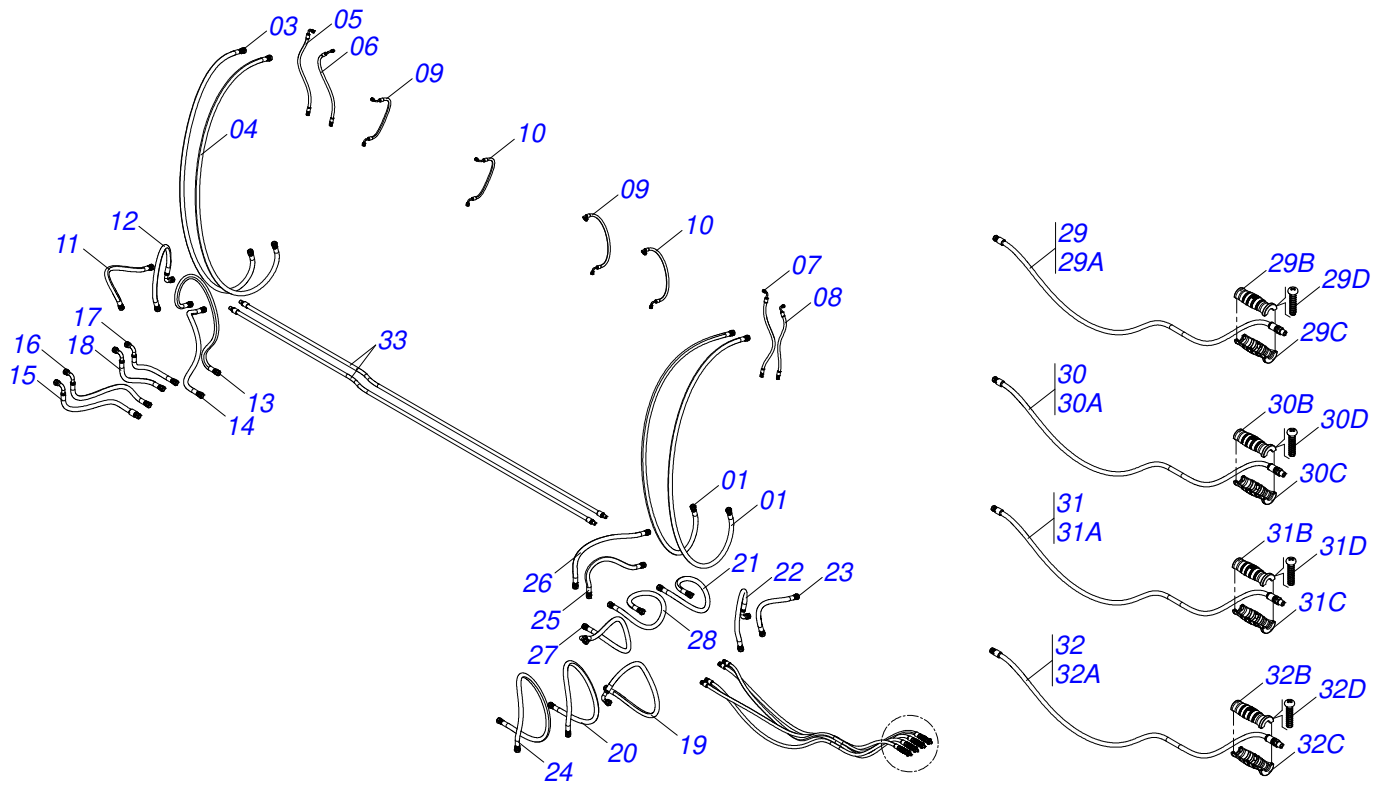
Item	Code	Description	See page	QT
01	0541016753	NIPLE		02
02	0503032386	HYDRAULIC VALVE EL/PN		01
03	0541016752	1.1/4"X 1.1/16" UN X 11 NUT HEX		02
04	0503011109	2-119 N 3006-9B O'RING		04
05	0501010589	R. 1.1/16UN SEXT 1.1/4 X 52 NIPPLE		02



Item	Code	Description	See page	QT
01	0503011883	QUICK CONNECTION COVER		01
02	0503011628	FEMALE QUICK COUPLER		01

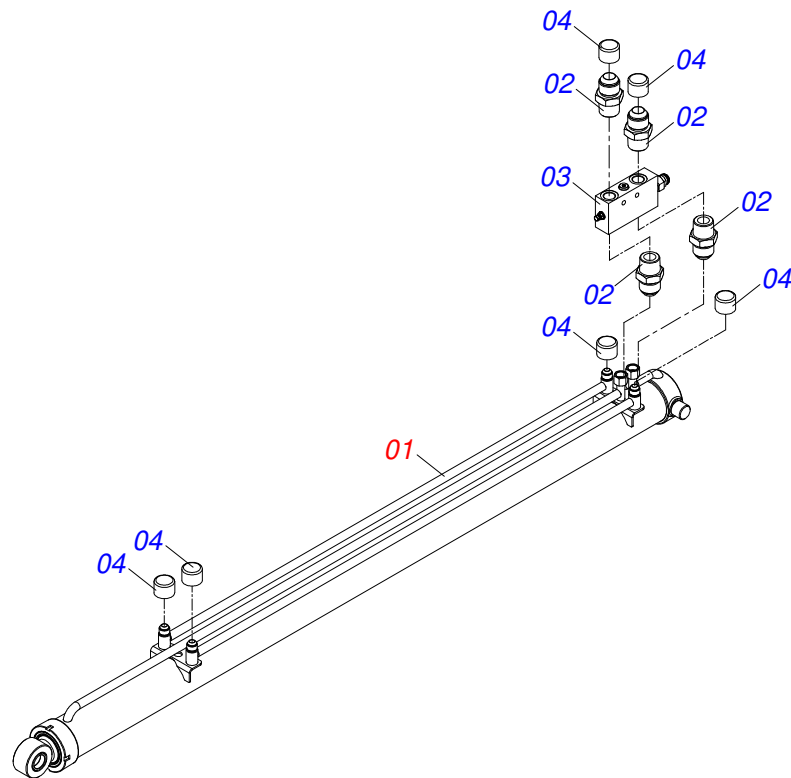


Item	Code	Description	See page	QT
01	0503011627	MALE QUICK COUPLER AGR 1/2 NPT		01
02	0503011882	MALE QUICK COUPLER CAP		01

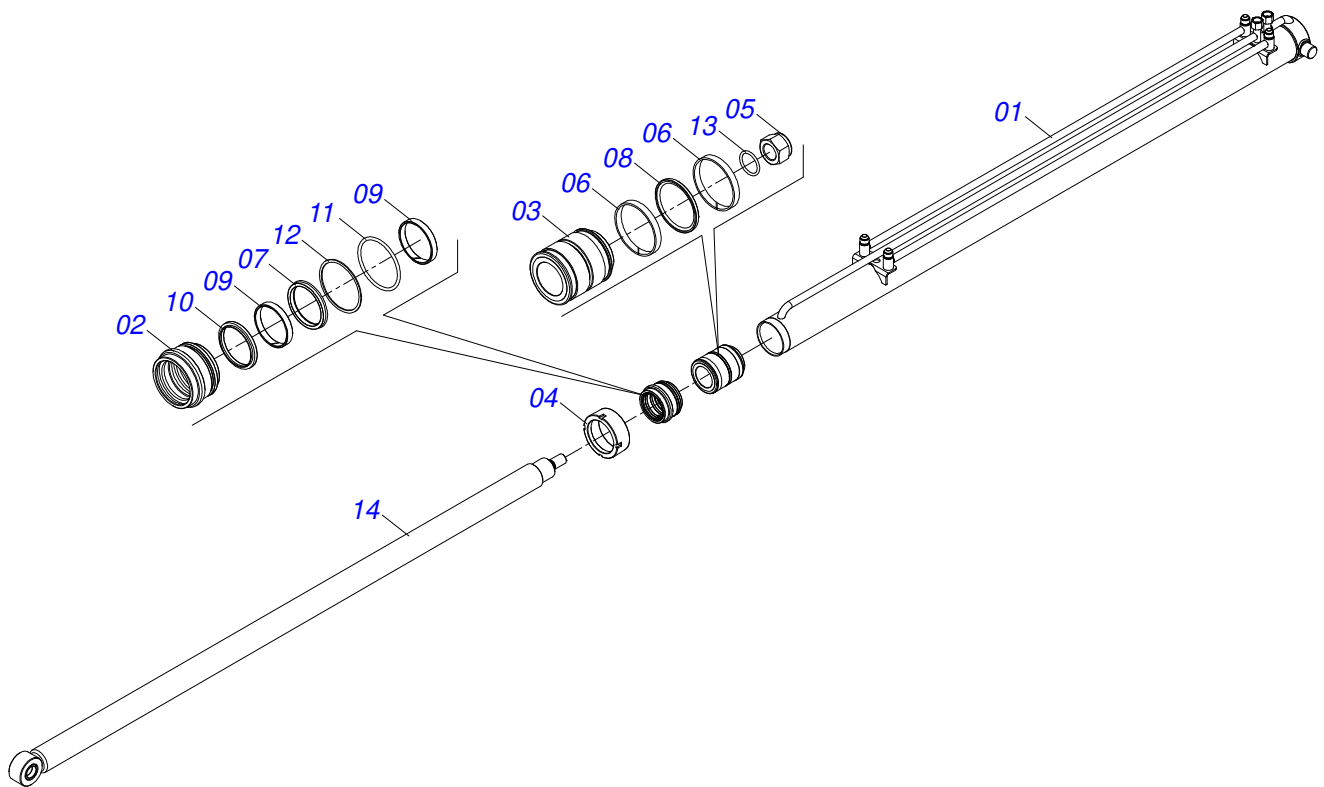


Item	Code	Description	See page	QT
01	0501080672	HOSE 3/4 X 2600 TR-TR		01
02	0501080672	HOSE 3/4 X 2600 TR-TR		01
03	0501080234	HOSE 3/4 X 2700 TR-TR		01
04	0501080234	HOSE 3/4 X 2700 TR-TR		01
05	0501081464	1/4 X 700 TR-TC HOSE		01
06	0501082239	HOSE 1/4 X 625 TR-TC		01
07	0501081464	1/4 X 700 TR-TC HOSE		01
08	0501082239	HOSE 1/4 X 625 TR-TC		01
09	0501082381	HOSE 1/4 X 600 TC-TC		02
10	0501082381	HOSE 1/4 X 600 TC-TC		02
11	0501080219	HOSE 3/4 X 750 TR-TR		01
12	0501080869	3/4 X 750 TR-TC HOSE		01
13	0501080202	HOSE 1/2 X 1250 TR-TR		01
14	0501080232	3/4" X 1100 TR-TR HOSE		01
15	0501080220	HOSE 3/4 X 850 TR-TC		01
16	0501080032	3/4 X 900 TR-TC HOSE		01
17	0501081292	HOSE 3/4 X 650 TR-TC		01
18	0501081292	HOSE 3/4 X 650 TR-TC		01
19	0501081160	HOSE 3/4 X 1350 TR-TC		01
20	0501080347	HOSE 3/4 X 1800 TR-TR		01
21	0501080232	3/4" X 1100 TR-TR HOSE		01
22	0501080869	3/4 X 750 TR-TC HOSE		01
23	0501080186	3/4 X 650 TR-TR 1G138636 HOSE		01
24	0501080306	HOSE 3/4 X 1850 TR-TR		01
25	0501080219	HOSE 3/4 X 750 TR-TR		01
26	0501080126	HOSE 3/4 X 950 TR-TR 1G138638		01
27	0501080159	HOSE 3/4 X 1100 TR-TC 1G138645		01
28	0501081337	3/4 X 1200 TR-TR HOSE		01
29	0531051814	HOSE 3/4 X 3000 TR-TM BLACK/BLUE		01
29A	0501080797	3/4 X 3000 TR-TM HOSE		01
29B	0503034492	HYDRAULIC HOSE GRIP (BLACK)		01

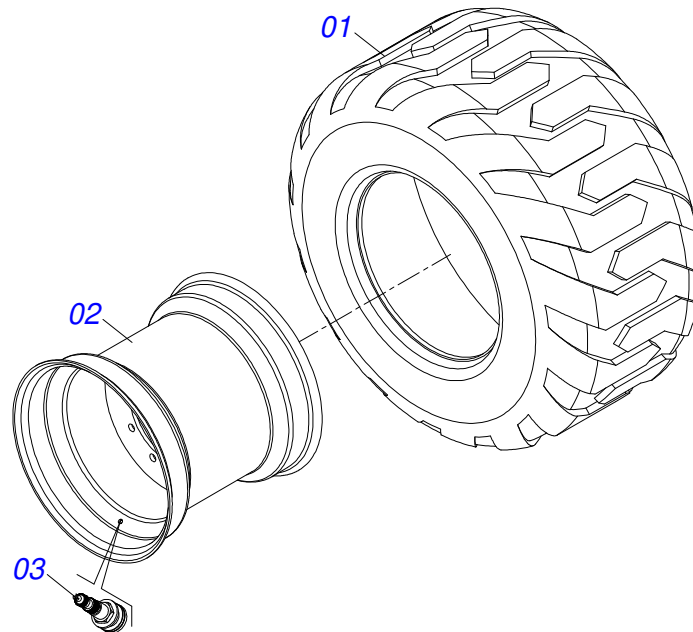
Item	Code	Description	See page	QT
29C	0503034494	HYDRAULIC HOSE GRIP (BLUE)		01
29D	0503018952	PLASTIC BOLT		06
30	0531051813	HOSE 3/4 X 2900 TR-TM GRAY/BLUE		01
30A	0501082382	HOSE 3/4 X 2900 TR-TM		01
30B	0503034489	HYDRAULIC HOSE GAUNTLET (GRAY)		01
30C	0503034494	HYDRAULIC HOSE GRIP (BLUE)		01
30D	0503018952	PLASTIC BOLT		06
31	0531051797	HOSE 3/4 X 2800 TR-TM BLACK/RED		01
31A	0501082380	HOSE 3/4 X 2800 TR-TM		01
31B	0503034492	HYDRAULIC HOSE GRIP (BLACK)		01
31C	0503034495	HYDRAULIC HOSE GRIP (RED)		01
31D	0503018952	PLASTIC BOLT		06
32	0531051798	GRAY/RED 3/4 X 2800 TR-TM HOSE		01
32A	0501082380	HOSE 3/4 X 2800 TR-TM		01
32B	0503034489	HYDRAULIC HOSE GAUNTLET (GRAY)		01
32C	0503034495	HYDRAULIC HOSE GRIP (RED)		01
32D	0503018952	PLASTIC BOLT		06
33	0501081275	1/2 X 3250 TM-TM HOSE		02



Item	Code	Description	See page	QT
01	0531051603	LIFTING CYLINDER 76.2 X 101.6 X 2260 X 2010	25	01
02	0581018285	NIPLE R1.1/16 UN X R3/4 NPT X 64		04
03	0503019881	VALVE		01
04	0503030388	PLUG N-005		06



Item	Code	Description	See page	QT
01	0531062442	CYLINDER LIFTING CASE		01
02	0551016445	RING SUPPORT		01
03	0551016446	101.6 X 63.5 PISTON		01
04	0541019606	MOBILE COVER		01
05	0503010817	1.1/4" SELF LOCKING NUT		01
06	0503010994	W2-4000-500 PK RING G.E		02
07	0503013552	GASKET		01
08	0503012725	GASKET		01
09	0503013553	SEAL RING		02
10	0503012642	D-3000 SCRAPER RING		01
11	0503010338	2-342 N 3006-9B O'RING		01
12	0503011061	8-342 BACK-UP RING		01
13	0503010345	2-218 N 3006-9B O'RING		01
14	0511068729	ROD CILINDER ELEVATION		01



Item	Code	Description	See page	QT
01	0503015483	TIRE 600/50-22.5 TL T404 168A8		01
02	0503013045	WHEEL ASSY		01
03	0503013999	VALVE		01



civemasa

Technical Publications | Elaboration and Revision

ALESSANDRA PATRICIA KAWAHARA CARRILI

www.civemasa.com.br

