

TINE CULTIVATORS

CATPH - 04L/4H/DC

Code: 0501093159
Series: S-1020
Revision: 00
Revision Date: OUTUBRO/2021

PARTS CATALOGUE


CIVEMASA

PRODUCTS

Code	Description
0120840163	CATPH 4L 4H DC S-1020

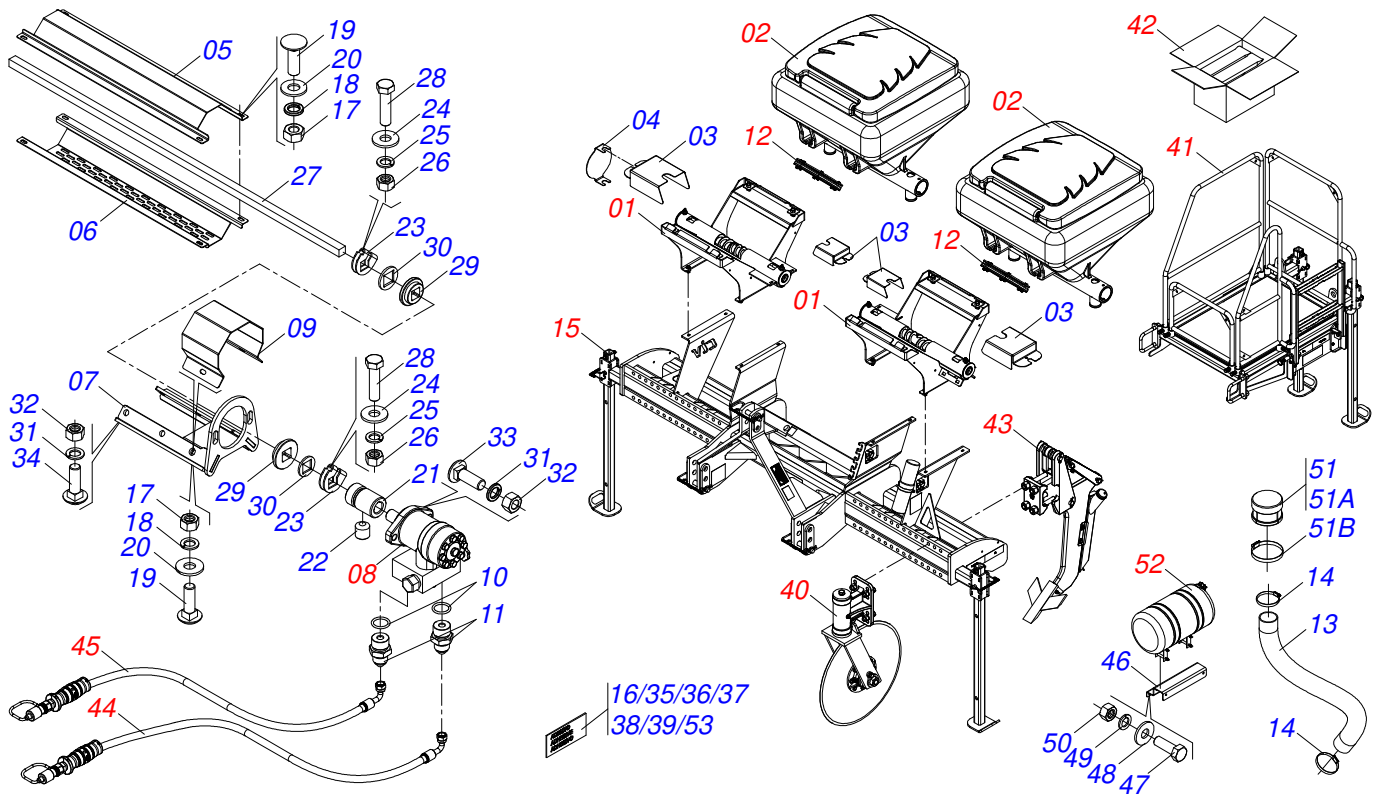
ATTENTION: IMPORTANT

Civemasa reserves the right to improve and / or modify the technical features of its products, without obligation to do the same with those products already sold and without prior knowledge of the dealer or the consumer.



INDEX

0531040699	ASSY FRAME	1
0531050200	SILO SUPPORT	2
0521056597	LEFT/RIGHT SILO THREAD DISTRIBUTOR ASSEMBLY	3
0531050199	YELLOW FERTILIZER BOX WITH CUT OUT ORANGE COVER	4
0521054716	ASSY DISPLAY	5
0531050209	SEMI ASSY FRAME	6
0521054135	AXIS 25 X EC 130 ASSY	7
0531050198	AXIS 27,80 X EC 135 ASSY	8
0531050205	REST 50X50X1100 ASSY	9
0521054631	AXIS 27,80 X EC 98 ASSY	10
0521049591	DC 26 ASSY	11
0521056601	DC 26 SEMI MOUNTED	12
0501052395	26 CUTTING DISK WITH BOX	13
0501057526	DISC HUB	14
0531040701	ASSY REAR PLATFORM	15
0531050207	ASSY MOBILE LADDER	16
0521026604	BOX WITH 04 TIPS	17
0531040700	FURROW ARM COMPLETE WITH CONDUCTOR	18
0531050195	HOSE 3/8 X 2900 TC-TM RED/YELLOW WITH QUICK COUPLE	19
0531050194	HOSE 3/8 X 2900 TC-TM YELLOW/BLUE WITH QUICK COUPLING	20
0501053834	MALE QUICK COUPLER WITH CAP - 1/2 NPT	21
0521054629	COROTE WATER 25 / 26L	22

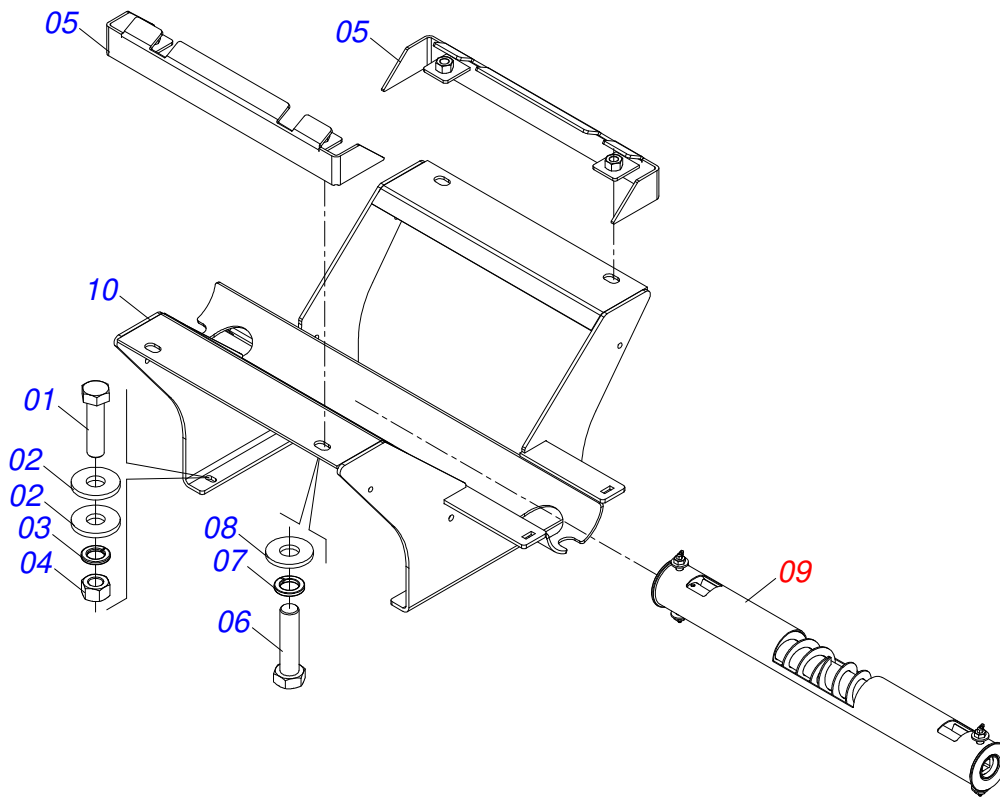


Item	Code	Description	See page	QT
01	0531050200	SILO SUPPORT	2	02
02	0531050199	YELLOW FERTILIZER BOX WITH CUT OUT ORANGE COVER	4	02
03	0591016561	CONVEYOR THREAD PROTECTION		04
04	0581019023	PROTECTION CANNON FERTILIZER		01
05	0591016563	CENTRAL AXLE PROTECTION		01
06	0591016562	LOWER AXLE CENTRAL PROTECTION		01
07	0531061800	MOTOR FIXATION SUPPORT		01
08	0503012829	VALVE HYDRAULIC MOTOR ASSY		01
09	0581019046	ENGINE AXLE PROTECTION		01
10	0503010045	O'RING		02
11	0511010111	7/8" NIPPLE		02
12	0521054716	ASSY DISPLAY	5	02
13	0551013640	2.1/2" X 1100 HOSE ASSY		04
14	0503011266	CLAMP 2.1/4" A 3" 57-76		08
15	0531050209	SEMI ASSY FRAME	6	01
16	0503033237	ADHESIVE LABEL		02
17	0503010337	5/16" NUT		06
18	0503010179	5/16" ZN SPRING WASHER		06
19	0503011953	5/16" X 1" BOLT		06
20	0501010694	8.5 X 18 X 1.5 FLAT WASHER		06
21	0501069662	MOTOR HYFRAULIC SLEEVE		01
22	0503011136	BOLT 1/2 UNC X 1/2 S C S I 12.9		01
23	0521010691	AXLE FASTENER		02
24	0511017303	FLAT WASHER		02
25	0503010143	1/4" SPRING WASHER		02
26	0503010144	1/4" NUT		02
27	0591016540	SQUARE AXLE 3/4 X 1650		01
28	0503010373	SCREW 1/4 UNC X 2 CS G.2 ZN		02
29	0503031527	AGRICULTURAL BEARING		02
30	0521018630	1.4" X SQUARE 0.8" WASHER		02
31	0503010019	1/2" SPRING WASHER		06

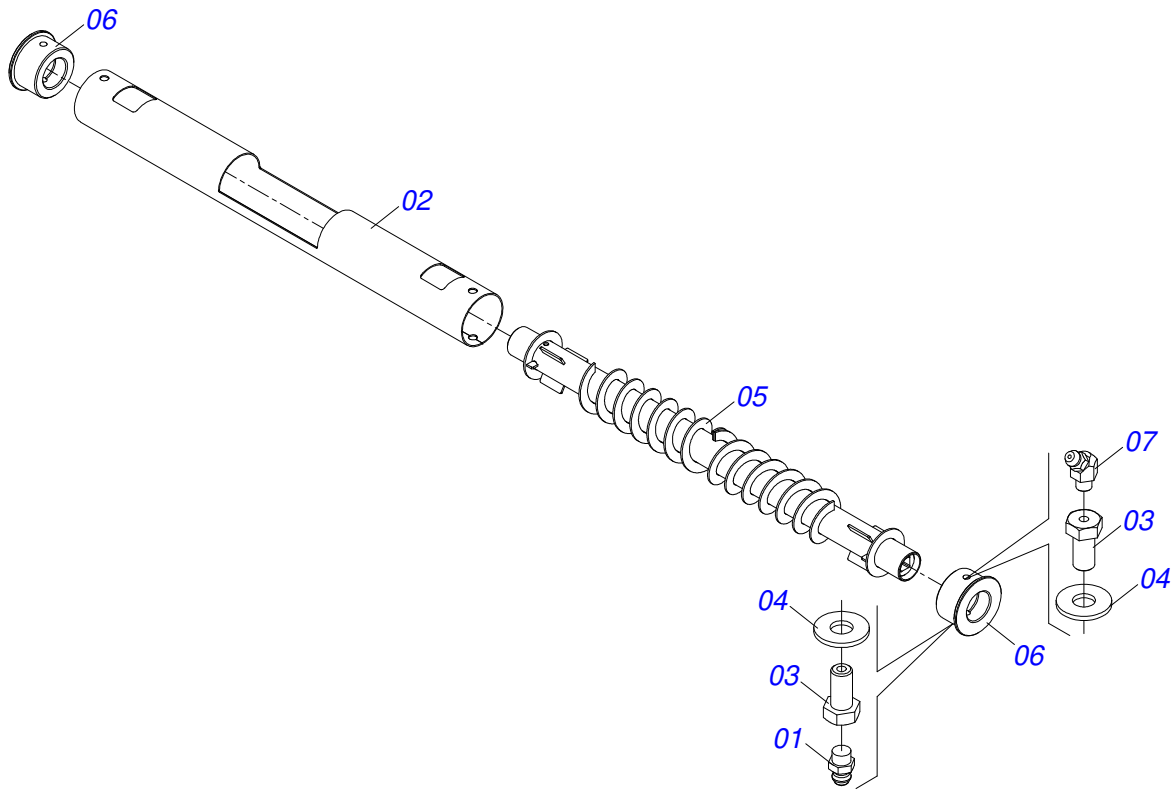
ASSY FRAME

0531040699

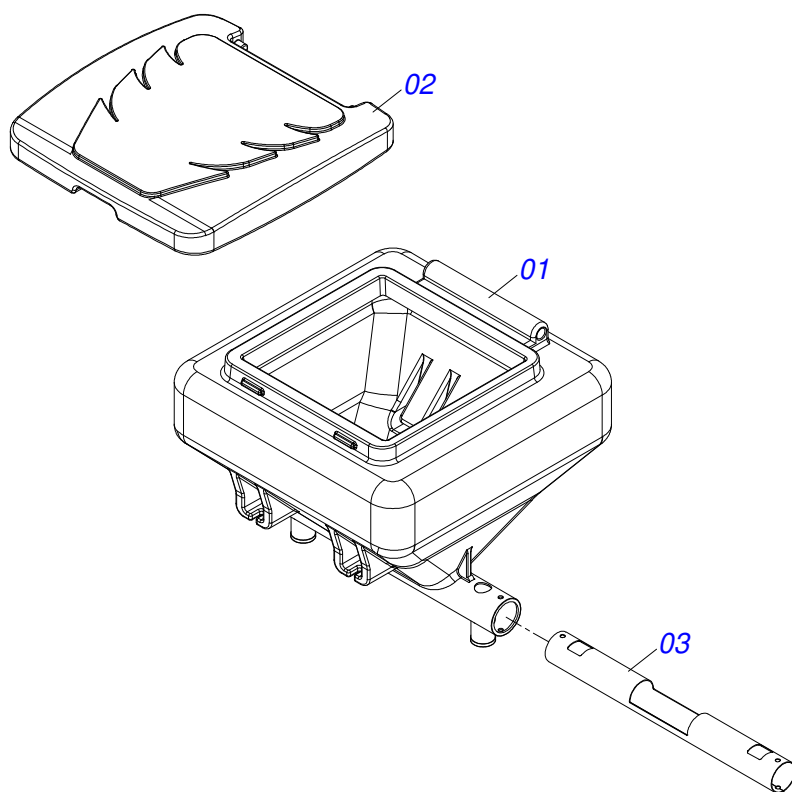
Item	Code	Description	See page	QT
32	0503010060	1/2" NUT		06
33	0503014378	1/2" X 1-1/2" BOLT		02
34	0503014734	BOLT		04
35	0503032930	ADHESIVE LABEL DANGER		04
36	0503013229	REFLECTIVE SIDE BAND		04
37	0503031919	ADHESIVE LABEL ENGINE ROTATING DIRECTION		01
38	0503034247	ADHESIVE LABEL POINT LUBRICATION		04
39	0503034596	BUMPER STICKER WARNING NEVER GO UP PROTECTIONS		01
40	0521049591	DC 26 ASSY	11	04
41	0531040701	ASSY REAR PLATFORM	15	01
42	0521026604	BOX WITH 04 TIPS	17	01
43	0531040700	FURROW ARM COMPLETE WITH CONDUCTOR	18	04
44	0531050195	HOSE 3/8 X 2900 TC-TM RED/YELLOW WITH QUICK COUPLE	19	01
45	0531050194	HOSE 3/8 X 2900 TC-TM YELLOW/BLUE WITH QUICK COUPLING	20	01
46	0591016542	SUPPORT		01
47	0501010080	3/8" BOLT		02
48	0501010984	FLAT WASHER		02
49	0503010025	3/8" SPRING WASHER		02
50	0503010026	3/8" NUT		02
51	0531050196	CONDUCTOR CAP WITH CLAMP		04
51A	0591016541	CONDUCTOR COVER 2.1/2		01
51B	0503011266	CLAMP 2.1/4" A 3" 57-76		01
52	0521054629	COROTE WATER 25 / 26L	22	01
53	0503035363	STICKER		02



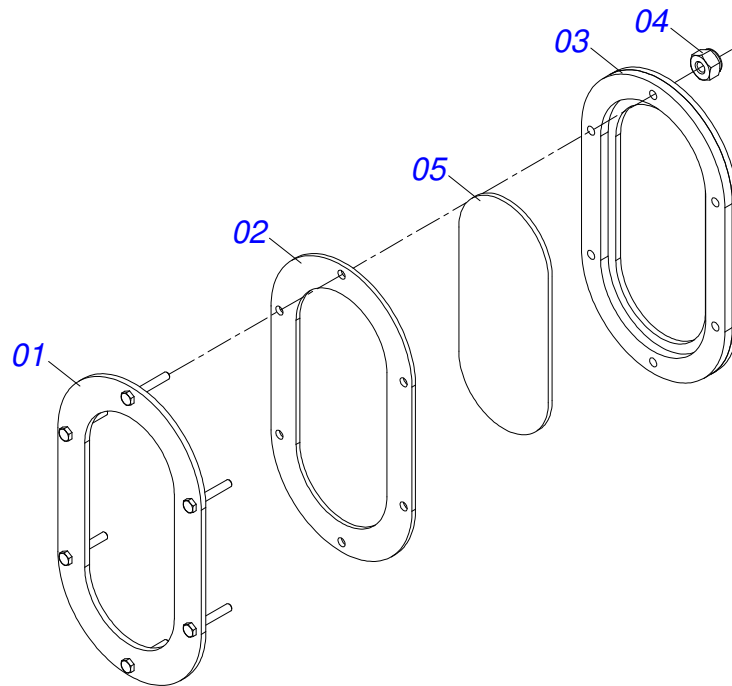
Item	Code	Description	See page	QT
01	0503010849	3/8" X 1-1/2" BOLT		04
02	0501010984	FLAT WASHER		08
03	0503010025	3/8" SPRING WASHER		04
04	0503010026	3/8" NUT		04
05	0511068656	FERTILIZER BEAM LOCK		02
06	0503010233	5/8" X 2-1/2" BOLT		04
07	0503010027	5/8" SPRING WASHER		04
08	0501012140	FLAT WASHER		04
09	0521056597	LEFT/RIGHT SILO THREAD DISTRIBUTOR ASSEMBLY	3	01
10	0531061801	SILO SUPPORT		01



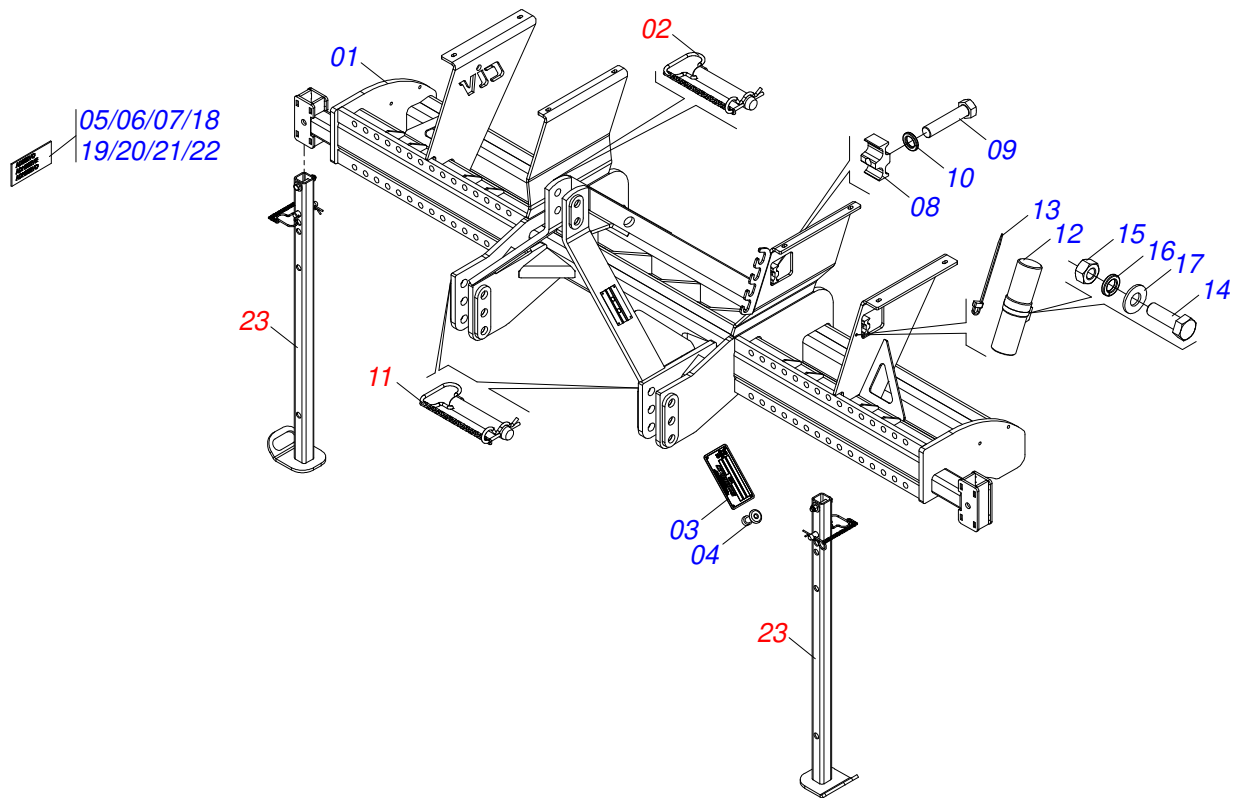
Item	Code	Description	See page	QT
01	0503010691	1/4" GREASE FITTING	02	
02	0551015492	TUBE COATED	01	
03	0541014215	BEARING BOLT	04	
04	0511017302	FLAT WASHER	04	
05	0511068620	FERTILIZER CONDUCTOR	01	
06	0551015225	FERTILIZER CONDUCTOR BEARING	02	
07	0503011099	GREASE FITTING	02	



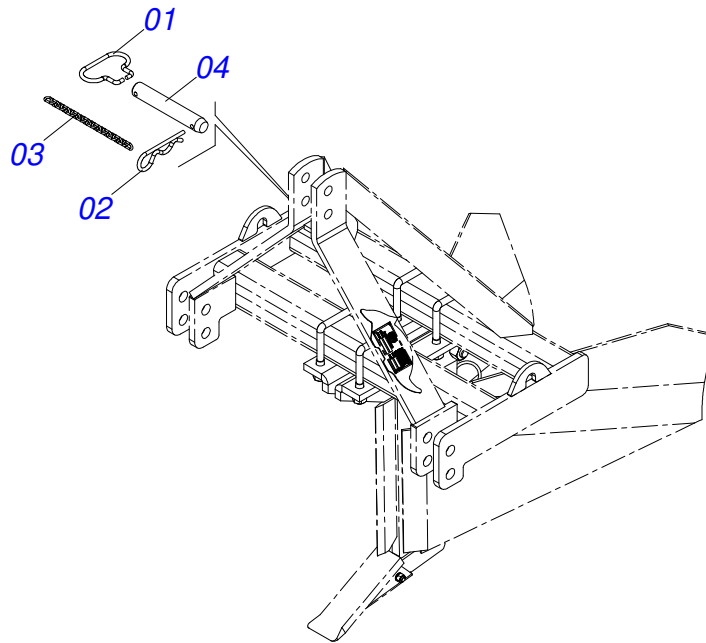
Item	Code	Description	See page	QT
01	0503032962	YELLOW FERTILIZER BOX		01
02	0503032964	ORANGE FERTILIZER BOX COVER		01
03	0551015492	TUBE COATED		01



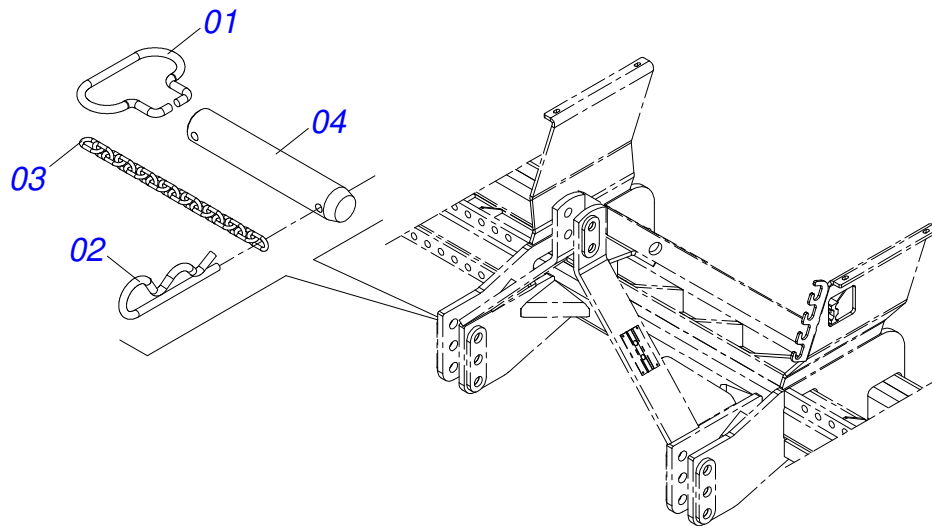
Item	Code	Description	See page	QT
01	0521069461	INTERNAL FIXING RING DISPLAY		01
02	0503034802	RUBBER DISPLAY RING		01
03	0521069459	DISPLAY SUPPORT		01
04	0503015013	3/16 SELF ADJUSTING NUT NC 1K02881		06
05	0503033020	DISPLAY		01



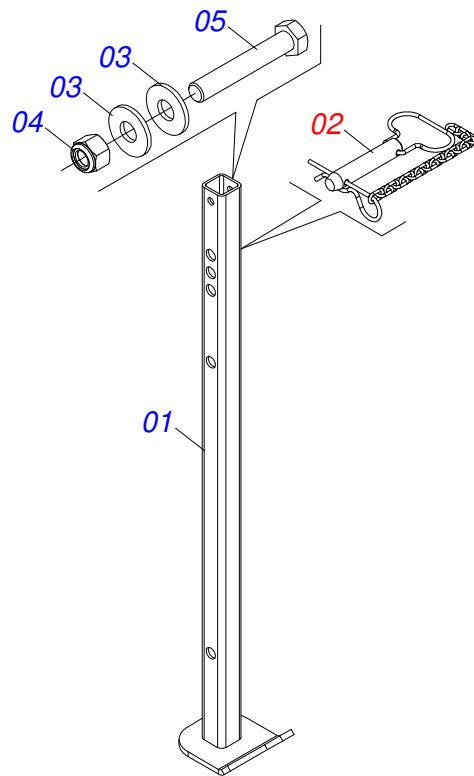
Item	Code	Description	See page	QT
01	0531061808	FRAME		01
02	0521054135	AXIS 25 X EC 130 ASSY	7	01
03	0503034004	ALUMINUM IDENTIFICATION LABEL		01
04	0503013356	RIVET POP 3,2 X 10,0		04
05	0503033647	APPROVED BADGE		01
06	0503034648	ADHESIVE LABEL		01
07	0503031827	LUBRICATE AND RETIGHTEN DAILY DECAL		01
08	0502012702	BODY SUPPORT CLAMP		03
09	0503011173	7/16" X 2" BOLT		03
10	0503010180	7/16" SPRING WASHER		03
11	0531050198	AXIS 27,80 X EC 135 ASSY	8	02
12	0503060100	OPERATOR'S MANUAL STORAGE TUBE		01
13	0503010267	NYLON CLAMP		01
14	0503010371	5/16" X 1" BOLT		01
15	0503010337	5/16" NUT		01
16	0503010179	5/16" ZN SPRING WASHER		01
17	0501010694	8.5 X 18 X 1.5 FLAT WASHER		01
18	0503031428	READ MANUAL DECAL		01
19	0503031942	ADHESIVE LABEL		01
20	0503013229	REFLECTIVE SIDE BAND		03
21	0503034078	LIFTING POINTS DECAL		02
22	0503031739	ADHESIVE LABEL		01
23	0531050205	REST 50X50X1100 ASSY	9	02



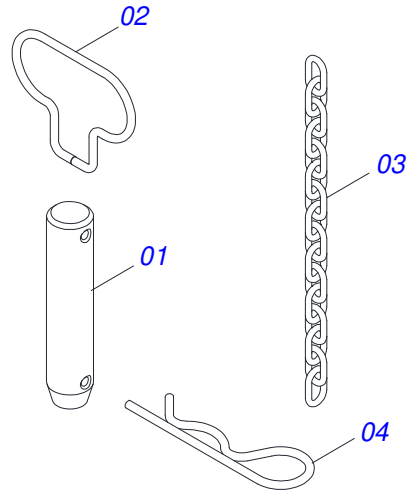
Item	Code	Description	See page	QT
01	0503034755	HANDLE PIN HITCH		01
02	0503031035	HAIR PIN		01
03	0503034756	CHAIN 3,00 X 16		01
04	0581018637	AXIS 25 X 155 X EC 130 FR 7,14		01



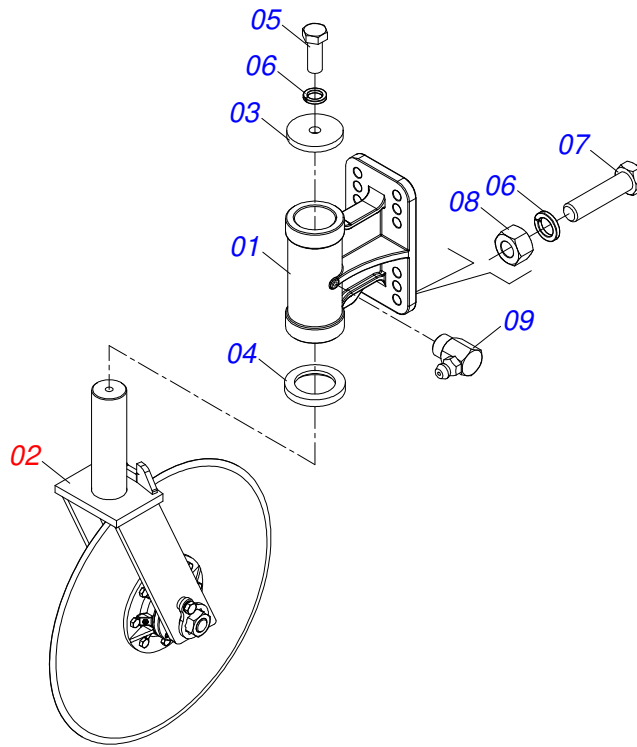
Item	Code	Description	See page	QT
01	0503034755	HANDLE PIN HITCH		01
02	0503031035	HAIR PIN		01
03	0503034756	CHAIN 3,00 X 16		01
04	0591016560	AXIS 27,80 X 160 X EC 135 FR 7,14		01



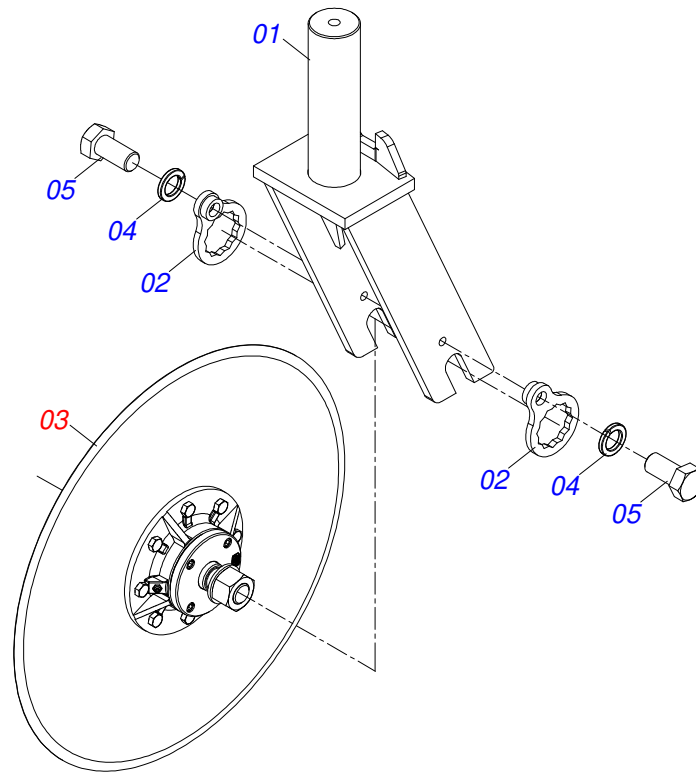
Item	Code	Description	See page	QT
01	0531061802	REST 50 X 50 X 1100		01
02	0521054631	AXIS 27,80 X EC 98 ASSY	10	01
03	0511017302	FLAT WASHER		02
04	0503010589	1/2" UNC SELF ADJUSTING NUT		01
05	0503010479	BOLT		01



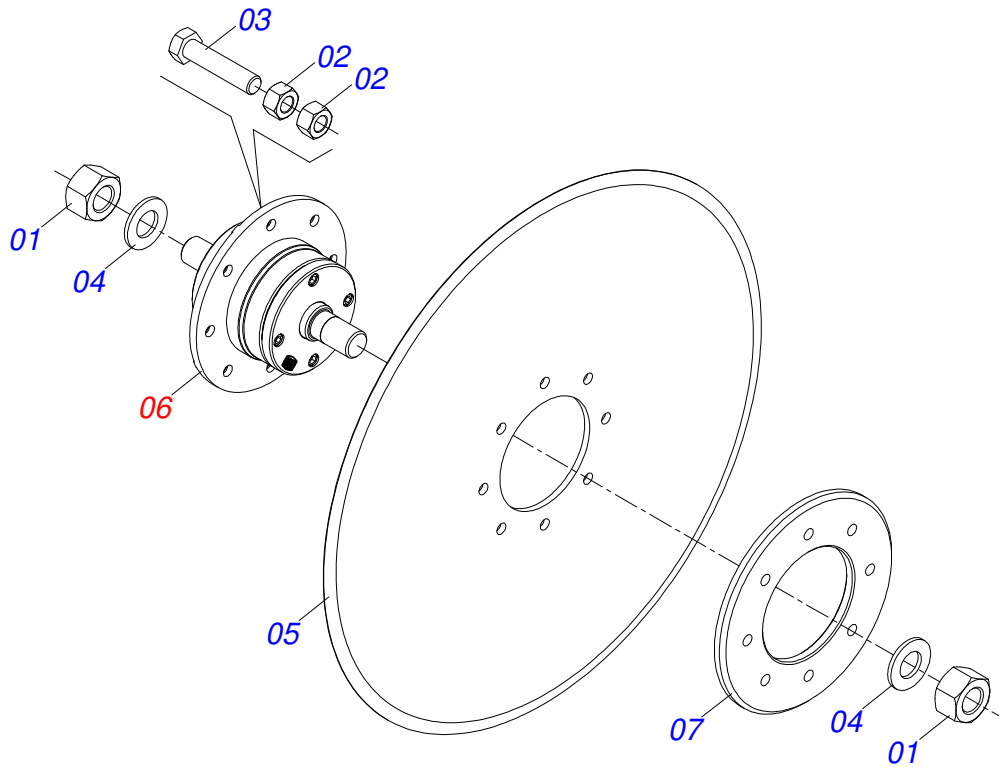
Item	Code	Description	See page	QT
001	0581019024	AXIS 19,05 X 98 X EC 75 FR 6,35		01
002	0503034794	HANDLE PIN HITCH 4MM		01
003	0503034756	CHAIN 3,00 X 16		01
004	0503030012	HAIR PIN		01



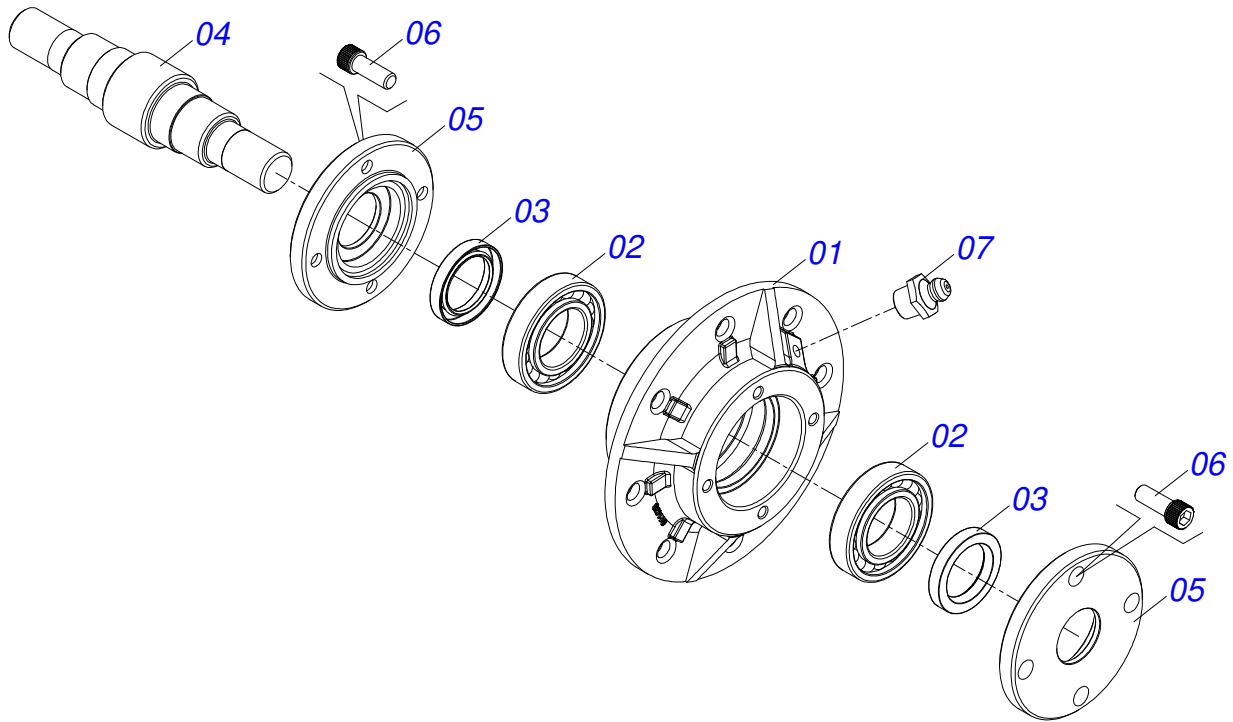
Item	Code	Description	See page	QT
01	0502012370	WITH BLADE DISC SUPPORT		01
02	0521056601	DC 26 SEMI MOUNTED	12	01
03	0541018868	FLAT WASHER		01
04	0541018869	FLAT WASHER		01
05	0501010098	3/4" UNC BOLT		01
06	0503010023	3/4" SPRING WASHER		05
07	0501010500	3/4"X3"BOLT		04
08	0503010014	3/4" NUT		04
09	0503010004	1890 GREASE FITTING		01



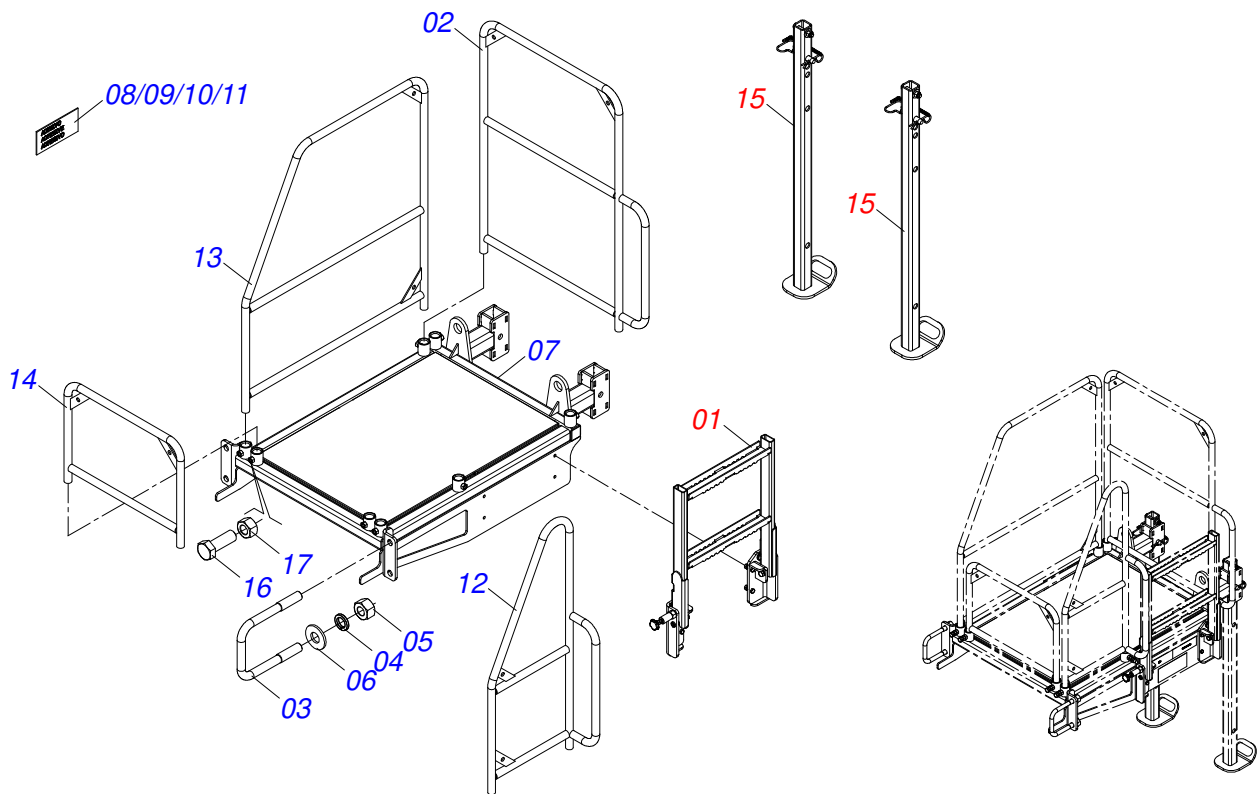
Item	Code	Description	See page	QT
01	0511067105	BLADE DISC FORK		01
02	0501069637	AXLE NUT LOCK		02
03	0501052395	26 CUTTING DISK WITH BOX	13	01
04	0503011445	SPRING WASHER		02
05	0503010962	5/8" X 1-1/4" BOLT		02



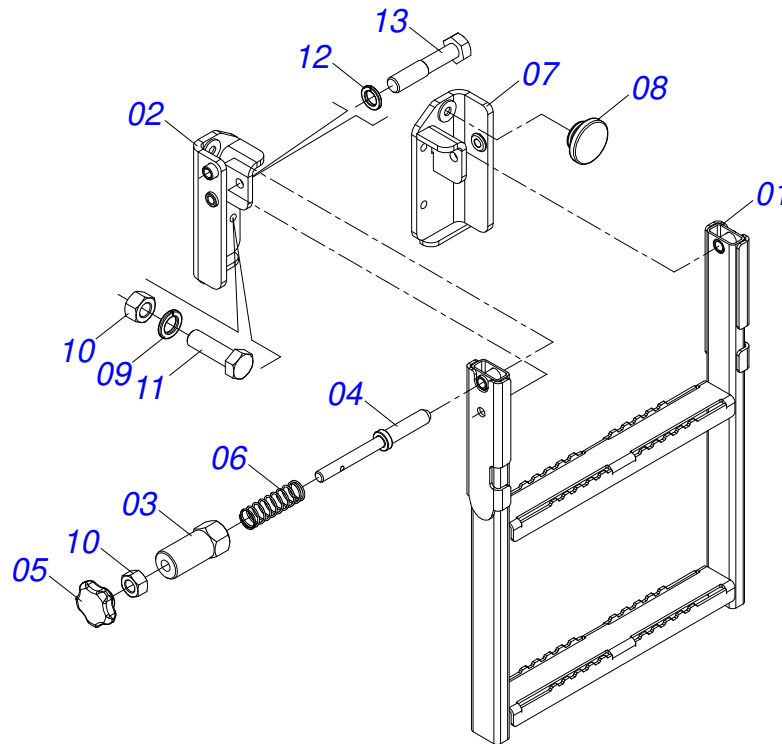
Item	Code	Description	See page	QT
01	0501010087	1.1/4" NUT		02
02	0503010060	1/2" NUT		16
03	0503010905	1/2" X 2-1/4" BOLT		08
04	0501017779	32 X 60 X 4.75 FLAT WASHER		02
05	0603032025	PLAIN COULTER BLADE		01
06	0501057526	DISC HUB	14	01
07	0521011824	BLADE DISC FLANGE OUTER		01



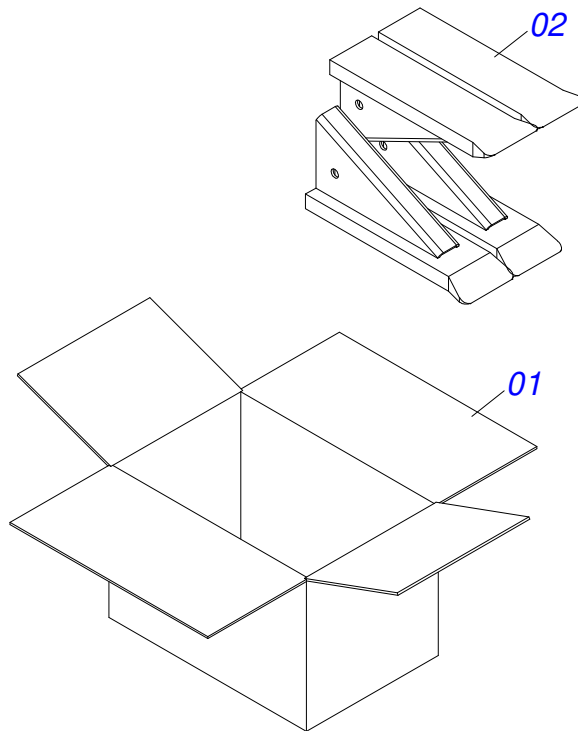
Item	Code	Description	See page	QT
01	0502011478	DISC HUB		01
02	0503011291	6209 BALL BEARING		02
03	0503012106	00521-BR SEAL		02
04	0521012661	BLADE DISC AXLE HUB		01
05	0502011477	BLADE DISC HOUSIG CP		02
06	0503010134	3/8" X 1" BOLT		08
07	0503010002	1800 GREASE FITTING		01



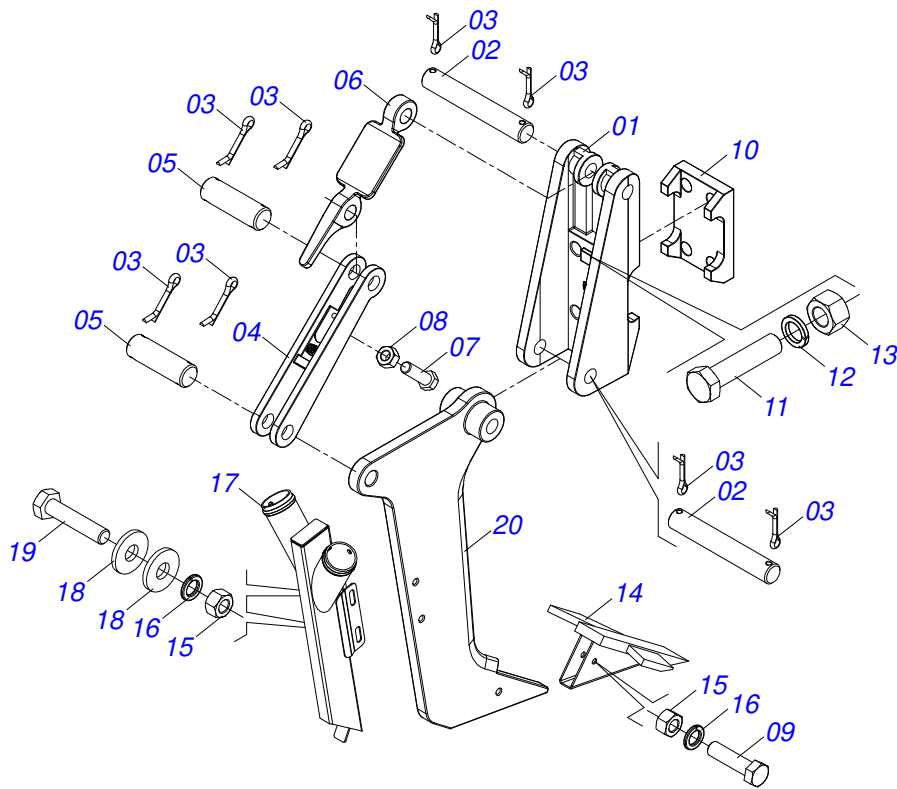
Item	Code	Description	See page	QT
01	0531050207	ASSY MOBILE LADDER	16	01
02	0531061804	FRONT HANDRAIL WITH HANDLE		01
03	0521014574	3/4" FASTENE		02
04	0503010023	3/4" SPRING WASHER		04
05	0503010014	3/4" NUT		04
06	0501010322	FLAT WASHER		04
07	0531062244	PLATFORM		01
08	0503031827	LUBRICATE AND RETIGHTEN DAILY DECAL		01
09	0503013229	REFLECTIVE SIDE BAND		02
10	0503031565	ADHESIVE LABEL CARE		01
11	0503034078	LIFTING POINTS DECAL		02
12	0531061803	FRONT HANDRAIL WITH HANDLE		01
13	0531061805	FRONT HANDRAIL WITH HANDLE		01
14	0531061806	MINOR HANDRAIL WITH HANDLE		01
15	0531050205	REST 50X50X1100 ASSY	9	02
16	0503030678	BOLT 1/2 UNC X 1.1/2 CSPC G.5 ZN		08
17	0503010060	1/2" NUT		08



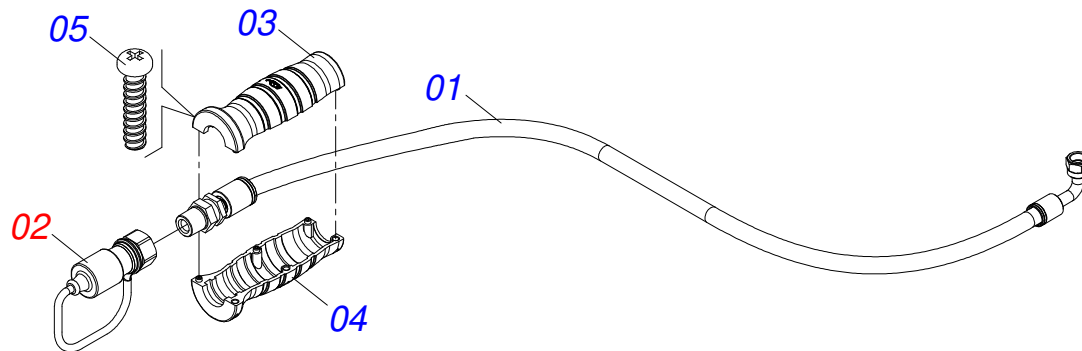
Item	Code	Description	See page	QT
01	0531060226	LEFT STAIR FIXATION SUPPORT		01
02	0531061807	MOBILE LADDER		01
03	0581016319	TRIGGER CARTRIDGE		01
04	0591011307	LADDER LOCK PIN		01
05	0503010293	BAQUELITE MANIPULACION		01
06	0503034639	SPRING		01
07	0531060227	RIGHT STAIR FIXATION SUPPORT		01
08	0503032594	30 X 13 X 19 PLUG		02
09	0503010025	3/8" SPRING WASHER		04
10	0503010026	3/8" NUT		05
11	0503010751	C3/8" X 1.1/4" HEX BOLT G.5		04
12	0503010019	1/2" SPRING WASHER		02
13	0503011172	BOLT 1/2 UNC X 2.1/2 C S G.5 ZN		02



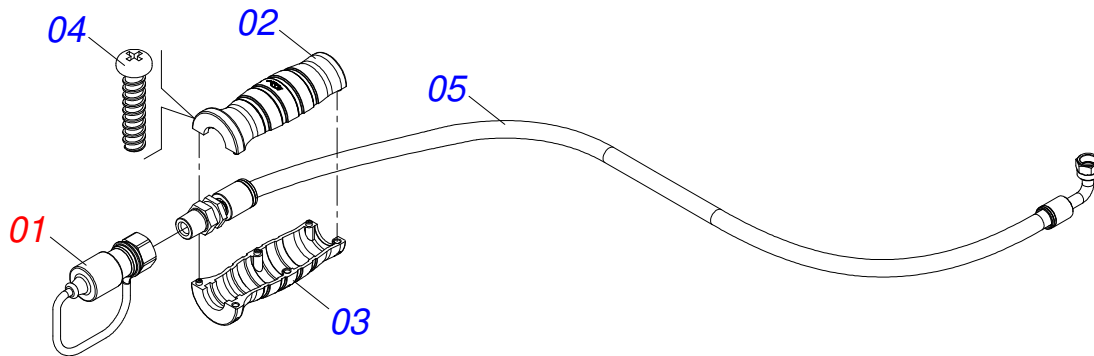
Item	Code	Description	See page	QT
01	0503030589	BOX 300X200X200		01
02	0511067841	POINT SUBSOILER		04



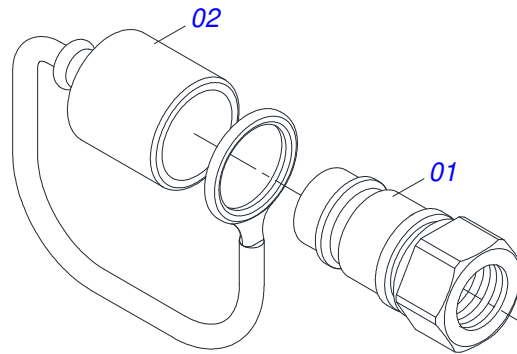
Item	Code	Description	See page	QT
01	0502011165	REAR FIXER	01	01
02	0511015688	28,50X180 COUPLING SHAFT	02	02
03	0503010571	1/4" X 1.1/2 COTTERPIN	08	08
04	0502011164	SUPPORT SPRING	01	01
05	0511015689	1.1" X 3.5" COUPLING SHAFT	02	02
06	0521011631	AUTOMATIC RESET	01	01
07	0503011135	BOLT	01	01
08	0503010244	7/16" NUT	01	01
09	0503011236	3/8" X 2" BOLT	01	01
10	1902011166	FRONT FIXER	01	01
11	0511019527	1" X 8" BOLT	04	04
12	0503010012	1" SPRING WASHER	04	04
13	0503010340	1" NUT	04	04
14	0511067838	POINT SUBSOILER	01	01
15	0503010026	3/8" NUT	03	03
16	0503010025	3/8" SPRING WASHER	03	03
17	0531061796	FERTILIZER CONDUCTOR WITH 02 NOZZLES	01	01
18	0501010984	FLAT WASHER	04	04
19	0503011404	BOLT	02	02
20	0502040881	FURROW ARM WITH DRIVER HOLE	01	01



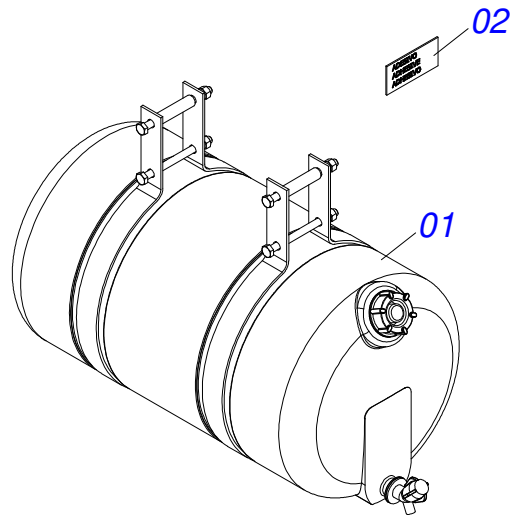
Item	Code	Description	See page	QT
01	0501081411	HOSE 3/8 X 2900 TC-TM		01
02	0501053834	MALE QUICK COUPLER WITH CAP - 1/2 NPT	21	01
03	0503034493	HYDRAULIC HOSE DEPTH (YELLOW)		01
04	0503034495	HYDRAULIC HOSE GRIP (RED)		01
05	0503018952	PLASTIC BOLT		06



Item	Code	Description	See page	QT
01	0501053834	MALE QUICK COUPLER WITH CAP - 1/2 NPT	21	01
02	0503034493	HYDRAULIC HOSE DEPTH (YELLOW)		01
03	0503034494	HYDRAULIC HOSE GRIP (BLUE)		01
04	0503018952	PLASTIC BOLT		06
05	0501081141	3/4 X 1200 TR-TC GH 781 2T HOSE		01



Item	Code	Description	See page	QT
01	0503011627	MALE QUICK COUPLER AGR 1/2 NPT		01
02	0503011882	MALE QUICK COUPLER CAP		01



Item	Code	Description	See page	QT
01	0503014820	COROTE BLACK WATER		01
02	0503032532	EMBLEM WATER NOT POTAVEL		01



civemasa

Technical Publications | Elaboration and Revision

ALESSANDRA PATRICIA KAWAHARA CARRILI

www.civemasa.com.br

