

SUBSOILER PLOUGH

STAC SP 550 - 5H/7H/9H - HE/DC/RD/ESP

Code: 0501093144

Series: S-0319

Revision: 01

Revision Date: JANEIRO/2022

PARTS CATALOGUE

CIVEMASA

PRODUCTS

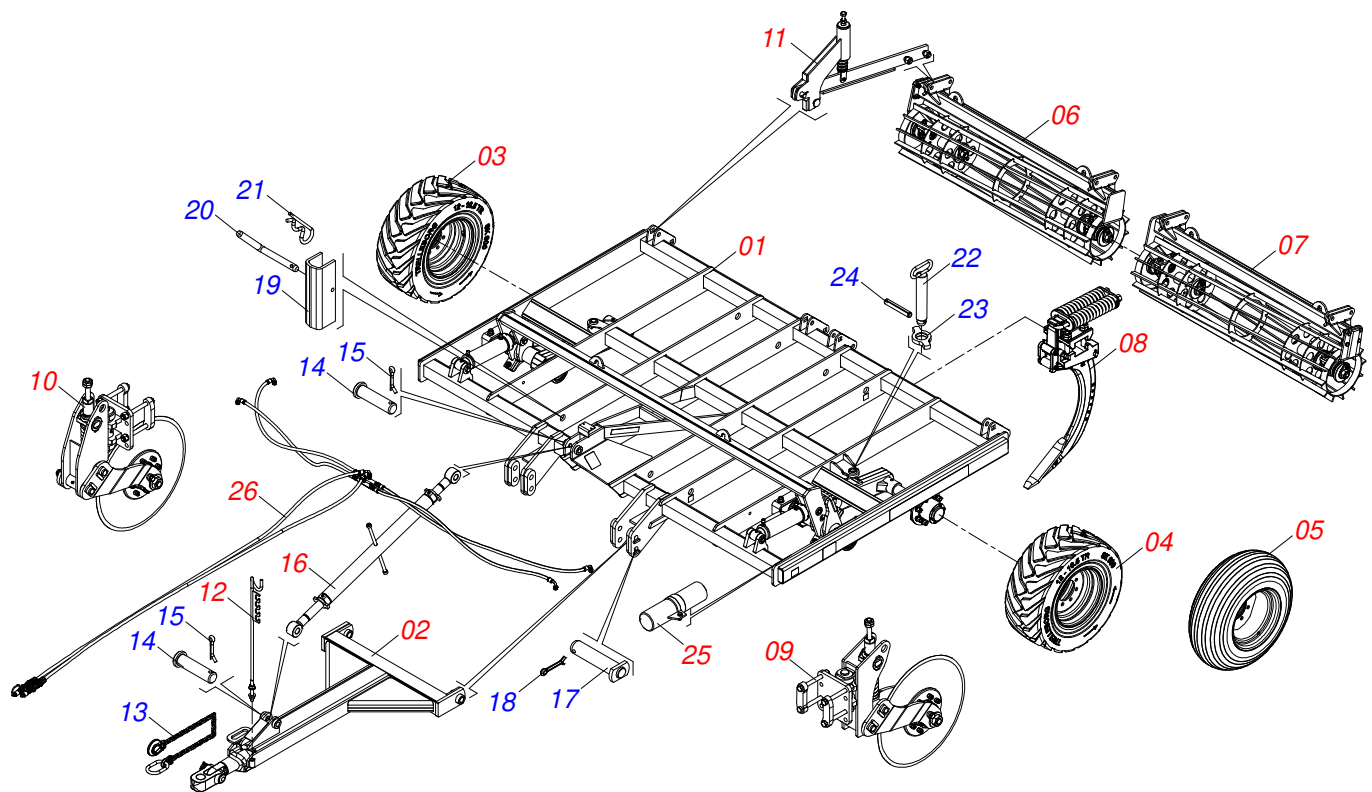
Code	Description	
0120370324	STAC SP 550 HE 5H	S-0319
0120370323	STAC SP 550 HE 5H DC	S-0319
0120370322	STAC SP 550 HE 5H DC RD	S-0319
0120370347	STAC SP 550 HE 5H DC RD	ESP S-0319
0120370325	STAC SP 550 HE 5H RD	S-0319
0120370332	STAC SP 550 HE 7H	S-0319
0120370331	STAC SP 550 HE 7H DC	S-0319
0120370330	STAC SP 550 HE 7H DC RD	S-0319
0120370346	STAC SP 550 HE 7H DC RD	ESP S-0319
0120370356	STAC SP 550 HE 7H DC RD	ESP S-0319
0120370333	STAC SP 550 HE 7H RD	S-0319
0120370340	STAC SP 550 HE 9H	S-0319
0120370339	STAC SP 550 HE 9H DC	S-0319
0120370338	STAC SP 550 HE 9H DC RD	S-0319
0120370341	STAC SP 550 HE 9H RD	S-0319

ATTENTION: IMPORTANT

CIVEMASA reserves the right to improve and/or modify the technical features of its products, without obligation to do the same with those products already sold and without prior knowledge of the dealer or the consumer. The photos are only illustrative.

INDEX

0909096118	ASSY FRAME	1
0521053880	FRAME SEMI MOUNTED - 5H	2
0521055522	FRAME SEMI MOUNTED - 7H	3
0521055538	FRAME SEMI MOUNTED - 9H	4
0521055451	LEFT BRACKET WITH CUBE WHEEL	5
0521055452	RIGHT BRACKET WITH CUBE WHEEL	6
0521055518	WHEEL WITHOUT TIRE	7
0521053332	HYDRAULIC CYLINDER 50,8 X 101,6 X 566,5 X 251,5	8
0511041101	ASSY HEAD	9
0511059186	ASSY HEADER	10
0521054068	WHEEL WITH TIRE 12 X 16.5 - 12 CANVAS (RIGHT)	11
0521055484	WHEEL WITH TIRE 12X16,5 -12 CANVAS (LEFT)	12
0503060414	WHEEL AND TIRE	13
0531053205	ASSY RIGHT DESTROYER ROLLER - 5H	14
0531053211	ASSY RIGHT DESTROYER ROLLER 1800 - 7H	15
0531053208	ASSY RIGHT DESTROYER ROLLER 2315 - 9H	16
0531053206	ASSY LEFT DESTROYER ROLLER - 5H	17
0531053209	ASSY LEFT DESTROYER ROLLER 1800 - 7H	18
0531053207	ASSY LEFT DESTROYER ROLLER 2315 - 9H	19
0501046922	AGRICULTURAL BEARING DM OL 192.5 X 1.1/4 IMPLEMENT	20
0521049702	ROD ASSY SYSTEM	21
0511045977	ROD ASSY SYSTEM	22
0521055481	SYSTEM STEM WITHOUT SPRING PONTEIRA WINGED	23
0501057701	SYSTEM STEM WITHOUT SPRING	24
0531053661	ROD WITH MOUNTED DISARM	25
0501052884	1" X 23.03" FASTENER	26
0521055495	ASSY DC REAR	27
0521055494	ASSY DC FRONT	28
0521044567	REAR BLADE DISC ASSY	29
0521044568	BLADE DISC FRONT	30
0531053212	ASSY ARM DESTROYER ROLLER	31
0501040257	3/4 X 1200 HOSE HOLDER A	32
0531040996	ASSY EXTENDER (1122-1592)	33
0521055503	MANUAL CANISTER ASSY	34
0909095671	ASSY HYDRAULIC CIRCUIT - 5H	35
0909093628	ASSY HYDRAULIC CIRCUIT - 7H	36
0909095629	ASSY HYDRAULIC CIRCUIT - 7H	37
0909095672	ASSY HYDRAULIC CIRCUIT - 9H	38
0501053834	MALE QUICK COUPLER WITH CAP - 1/2 NPT	39

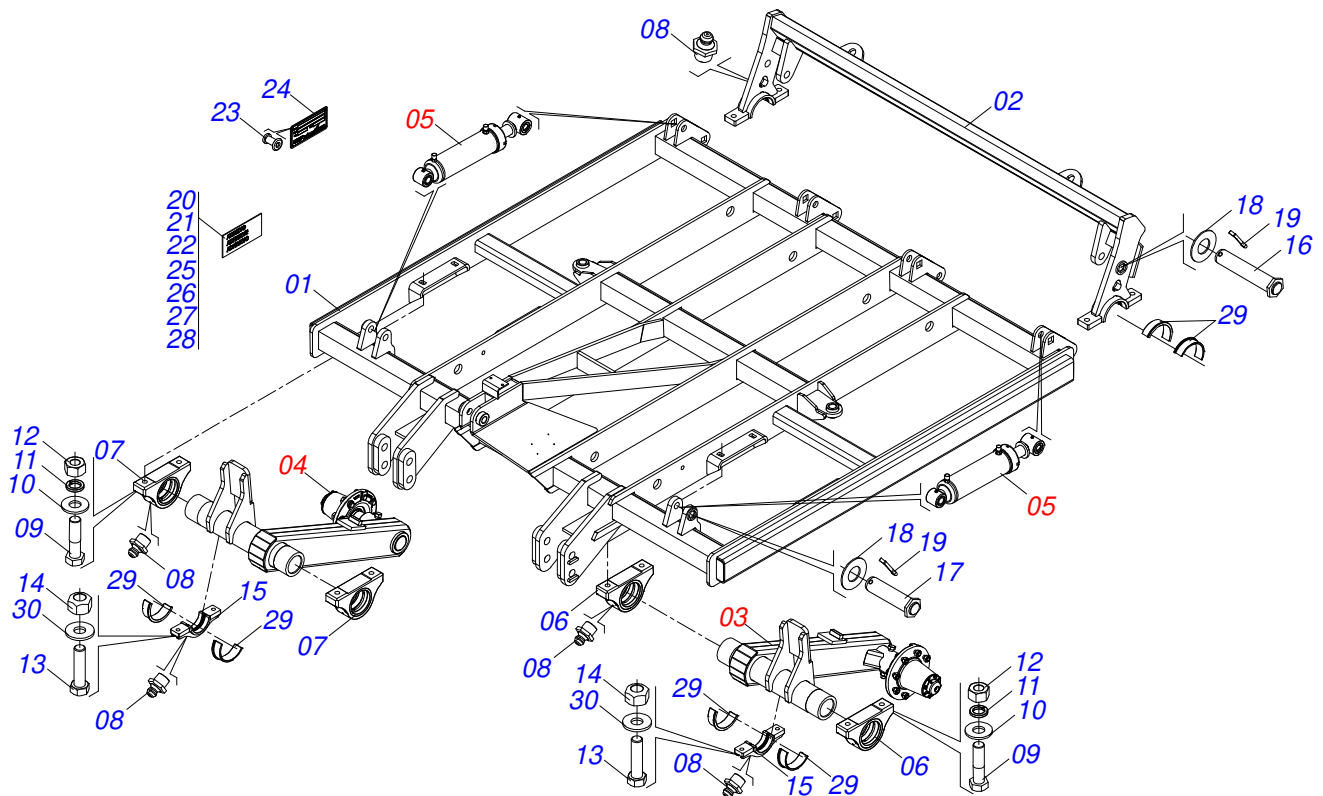


Item	Code	Description	See page	05	07	09
01	0521053880	FRAME SEMI MOUNTED - 5H	2	01	00	00
01.	0521055522	FRAME SEMI MOUNTED - 7H	3	00	01	00
01..	0521055538	FRAME SEMI MOUNTED - 9H	4	00	00	01
02	0511041101	ASSY HEAD	9	01	00	00
02.	0511059186	ASSY HEADER	10	00	01	01
03	0521054068	WHEEL WITH TIRE 12 X 16.5 - 12 CANVAS (RIGHT)	11	00	01	01
04	0521055484	WHEEL WITH TIRE 12X16,5 -12 CANVAS (LEFT)	12	00	01	01
05	0503060414	WHEEL AND TIRE	13	02	00	00
06	0531053205	ASSY RIGHT DESTROYER ROLLER - 5H	14	01	00	00
06.	0531053211	ASSY RIGHT DESTROYER ROLLER 1800 - 7H	15	00	01	00
06..	0531053208	ASSY RIGHT DESTROYER ROLLER 2315 - 9H	16	00	00	01
07	0531053206	ASSY LEFT DESTROYER ROLLER - 5H	17	01	00	00
07.	0531053209	ASSY LEFT DESTROYER ROLLER 1800 - 7H	18	00	01	00
07..	0531053207	ASSY LEFT DESTROYER ROLLER 2315 - 9H	19	00	00	01
08	0521049702	ROD ASSY SYSTEM	21	05	07	00
08.	0511045977	ROD ASSY SYSTEM	22	00	07	09
09	0521055495	ASSY DC REAR	27	03	05	07
10	0521055494	ASSY DC FRONT	28	02	02	02
11	0531053212	ASSY ARM DESTROYER ROLLER	31	04	04	04
12	0501040257	3/4 X 1200 HOSE HOLDER A	32	01	01	01
13	0503013150	1300 X 3/8 CHAIN		01	01	01
14	0531017716	AXLE TIGHTENER		02	02	02
15	0503010523	1/4" X 2" COTTERPIN		02	02	02
16	0531040996	ASSY EXTENDER (1122-1592)	33	01	01	01
17	0521069764	AXLE LOCK Ø36,5 X 257 (HOLE 227)		02	02	02
18	0503010534	3/8 X 2-1/2 COTTERPIN		02	02	02
19	0551010280	253 TRANSPORT LOCK		02	02	02
20	0541016844	FIXER LOCK		02	02	02
21	0503030285	HAIR PIN		02	02	02
22	0531060370	REGULATOR SPINDLE 300		02	02	02
23	0541018672	COUNTERNUT		02	02	02

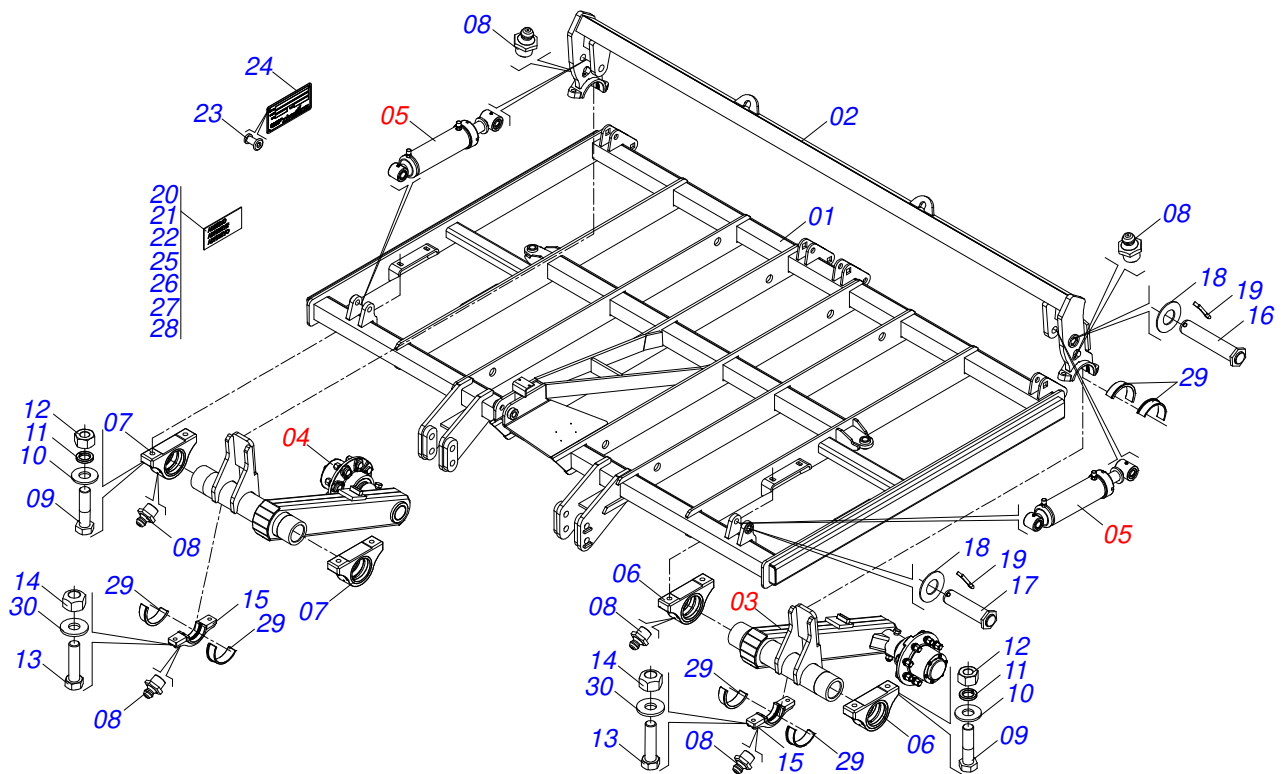
ASSY FRAME

0909096118

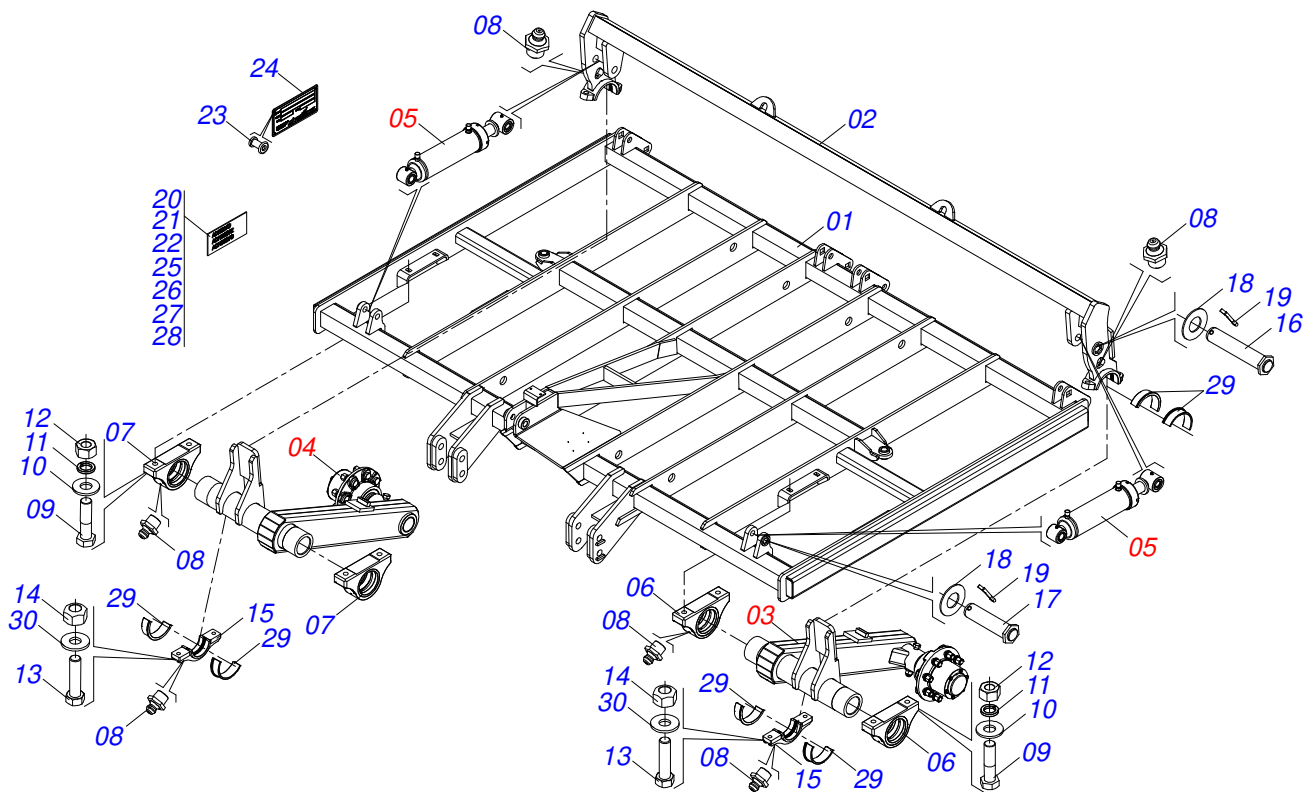
Item	Code	Description	See page	05	07	09
24	0503010839	03"X 0.6" SPRING PIN		02	02	02
25	0521055503	MANUAL CANISTER ASSY	34	01	01	01
26	0909095671	ASSY HYDRAULIC CIRCUIT - 5H	35	01	00	00
26.	0909093628	ASSY HYDRAULIC CIRCUIT - 7H	36	00	01	00
26..	0909095629	ASSY HYDRAULIC CIRCUIT - 7H	37	00	01	00
26...	0909095672	ASSY HYDRAULIC CIRCUIT - 9H	38	00	00	01



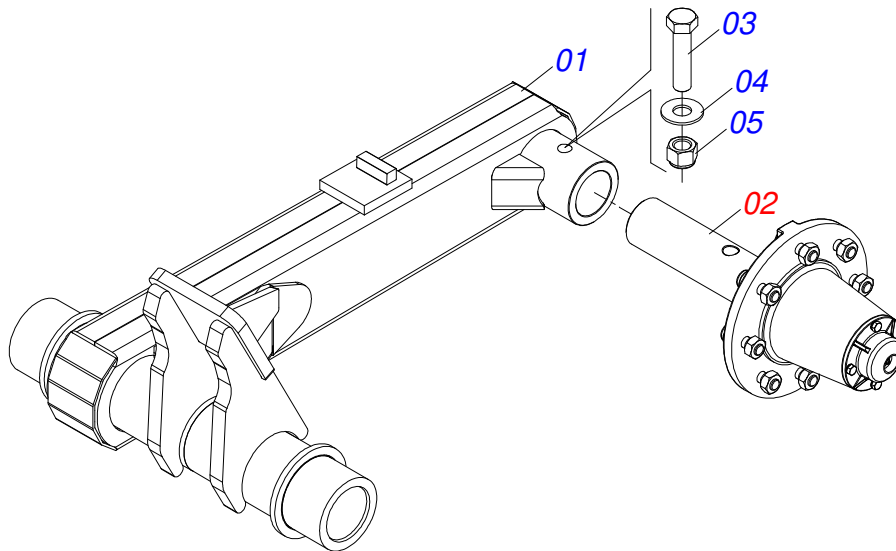
Item	Code	Description	See page	QT
01	0521064414	FRAME STAC E 550 - 5H		01
02	0531062077	WHEEL CONNECTION SUPPORT 2085 - 5H		01
03	0521055451	LEFT BRACKET WITH CUBE WHEEL	5	01
04	0521055452	RIGHT BRACKET WITH CUBE WHEEL	6	01
05	0521053332	HYDRAULIC CYLINDER 50,8 X 101,6 X 566,5 X 251,5	8	02
06	0501110563	LEFT PIVOT BEARING WITH SLEEVE		02
07	0501110568	RIGHT PIVOT BEARING WITH SLEEVE		02
08	0503010002	1800 GREASE FITTING		08
09	0503010901	3/4UNC 3.1/2 BOLT		08
10	0501010322	FLAT WASHER		08
11	0503011442	3/4" SPRING WASHER		08
12	0503010014	3/4" NUT		08
13	0501010500	3/4"X3"BOLT		04
14	0503011255	3/4" LOCK NUT		04
15	0531061742	SEMI BEARING ROUND CONNECTION SUPPORT		02
16	0521068984	AXLE LATCH 31,75 X 170 HOLE 150		02
17	0521068987	AXLE LATCH 31,75 X 150 HOLE 150		02
18	0521013442	FLAT WASHER		04
19	0503010523	1/4" X 2" COTTERPIN		04
20	0503031827	LUBRICATE AND RETIGHTEN DAILY DECAL		01
21	0503031428	READ MANUAL DECAL		01
22	0503033647	APPROVED BADGE		01
23	0503010001	3.2 X 5.5 RIVET		04
24	0503034004	ALUMINUM IDENTIFICATION LABEL		01
25	0503033302	ADHESIVE STAC SP		02
26	0503034499	HOSE IDENTIFICATION DECAL		01
27	0503034078	LIFTING POINTS DECAL		04
28	0503033246	ADHESIVE LABEL		02
29	0591012235	NYLON HALF GLOVE 124 X 114.4 X 87		08
30	0511815175	FLAT WASHER 22 X 40,50 X 4,00 SA		04



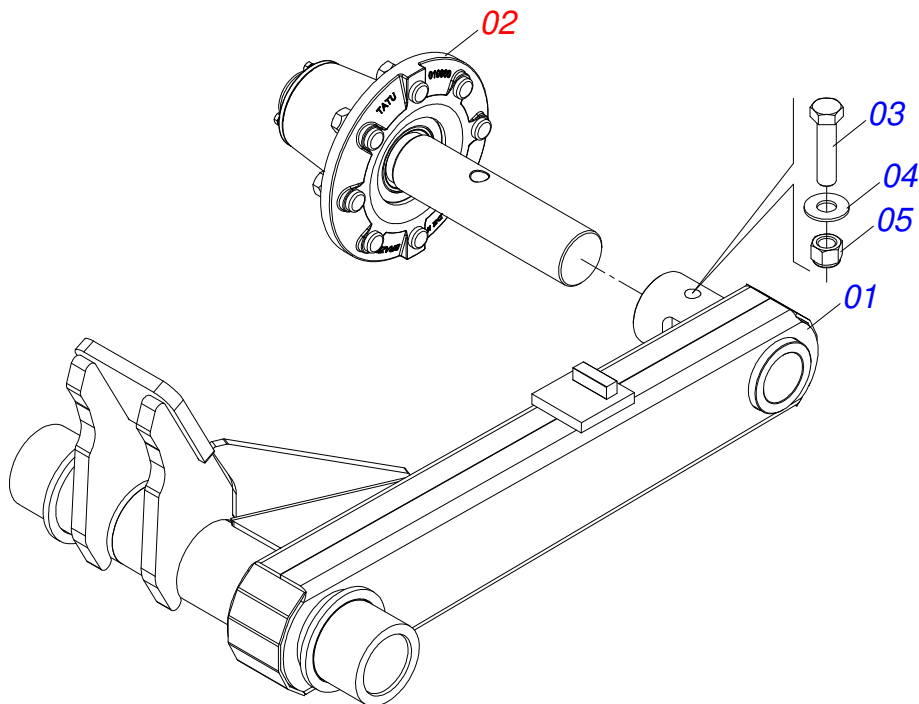
Item	Code	Description	See page	QT
01	0521062524	FRAME		01
02	0531061743	WHEELED SUPPORT CONNECTION		01
03	0521055485	LEFT BRACKET WITH CUBE WHEEL		01
04	0521055486	RIGHT BRACKET WITH CUBE WHEEL		01
05	0521053332	HYDRAULIC CYLINDER 50,8 X 101,6 X 566,5 X 251,5 8		02
06	0501110563	LEFT PIVOT BEARING WITH SLEEVE		02
07	0501110568	RIGHT PIVOT BEARING WITH SLEEVE		02
08	0503010002	1800 GREASE FITTING		08
09	0503010901	3/4UNC 3.1/2 BOLT		08
10	0501010322	FLAT WASHER		08
11	0503011442	3/4" SPRING WASHER		08
12	0503010014	3/4" NUT		08
13	0503013394	3/4" X 3" BOLT		04
14	0503011255	3/4" LOCK NUT		04
15	0531061742	SEMI BEARING ROUND CONNECTION SUPPORT		02
16	0521068984	AXLE LATCH 31,75 X 170 HOLE 150		02
17	0521068987	AXLE LATCH 31,75 X 150 HOLE 150		02
18	0521013442	FLAT WASHER		04
19	0503010523	1/4" X 2" COTTERPIN		04
20	0503031827	LUBRICATE AND RETIGHTEN DAILY DECAL		01
21	0503031428	READ MANUAL DECAL		01
22	0503033647	APPROVED BADGE		01
23	0503010001	3.2 X 5.5 RIVET		04
24	0503034004	ALUMINUM IDENTIFICATION LABEL		01
25	0503033302	ADHESIVE STAC SP		02
26	0503034499	HOSE IDENTIFICATION DECAL		01
27	0503034078	LIFTING POINTS DECAL		04
28	0503033246	ADHESIVE LABEL		02
29	0591012235	NYLON HALF GLOVE 124 X 114.4 X 87		08
30	0511815175	FLAT WASHER 22 X 40,50 X 4,00 SA		04



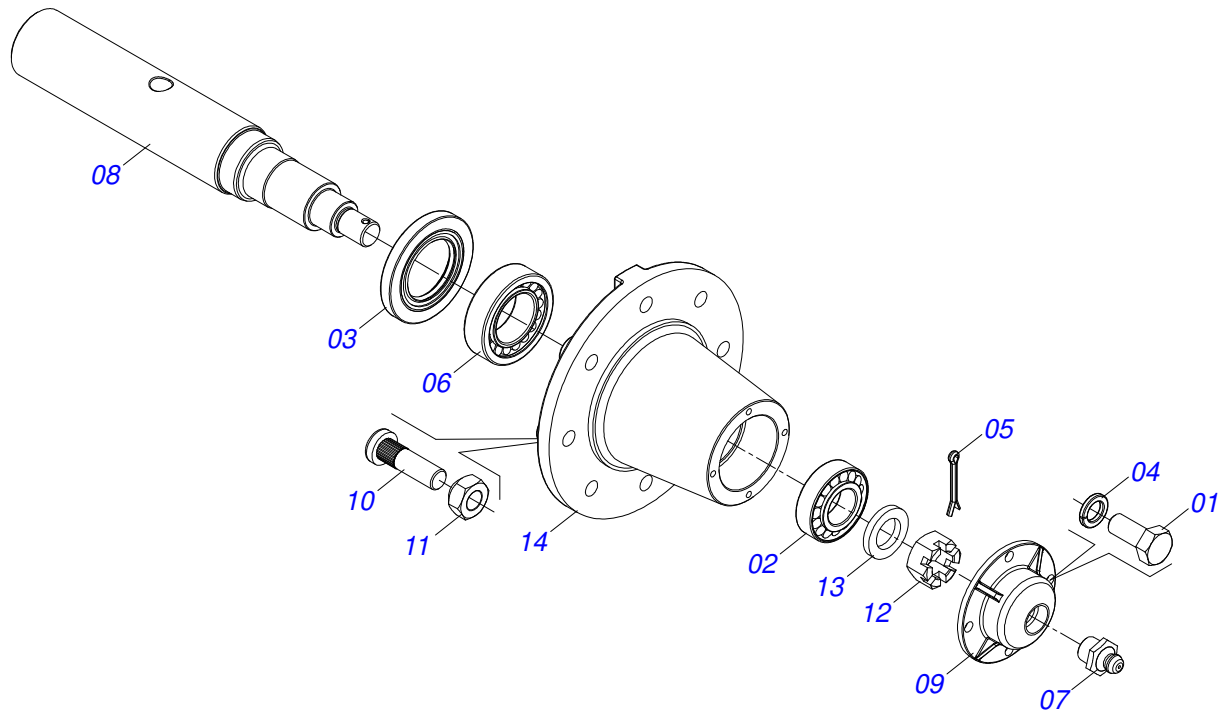
Item	Code	Description	See page	QT
01	0521069796	FRAME - 9H		01
02	0531062078	WHEEL CONNECTION SUPPORT 4065 - 9H		01
03	0521055485	LEFT BRACKET WITH CUBE WHEEL		01
04	0521055486	RIGHT BRACKET WITH CUBE WHEEL		01
05	0521053332	HYDRAULIC CYLINDER 50,8 X 101,6 X 566,5 X 251,5 8		02
06	0501110563	LEFT PIVOT BEARING WITH SLEEVE		02
07	0501110568	RIGHT PIVOT BEARING WITH SLEEVE		02
08	0503010002	1800 GREASE FITTING		08
09	0503010901	3/4UNC 3.1/2 BOLT		08
10	0501010322	FLAT WASHER		08
11	0503011442	3/4" SPRING WASHER		08
12	0503010014	3/4" NUT		08
13	0501010500	3/4"X3"BOLT		04
14	0503011255	3/4" LOCK NUT		04
15	0531061742	SEMI BEARING ROUND CONNECTION SUPPORT		02
16	0521068984	AXLE LATCH 31,75 X 170 HOLE 150		02
17	0521068987	AXLE LATCH 31,75 X 150 HOLE 150		02
18	0521013442	FLAT WASHER		04
19	0503010523	1/4" X 2" COTTERPIN		04
20	0503031827	LUBRICATE AND RETIGHTEN DAILY DECAL		01
21	0503031428	READ MANUAL DECAL		01
22	0503033647	APPROVED BADGE		01
23	0503010001	3.2 X 5.5 RIVET		04
24	0503034004	ALUMINUM IDENTIFICATION LABEL		01
25	0503033302	ADHESIVE STAC SP		02
26	0503034499	HOSE IDENTIFICATION DECAL		01
27	0503034078	LIFTING POINTS DECAL		04
28	0503033246	ADHESIVE LABEL		02
29	0591012235	NYLON HALF GLOVE 124 X 114.4 X 87		08
30	0511815175	FLAT WASHER 22 X 40,50 X 4,00 SA		04



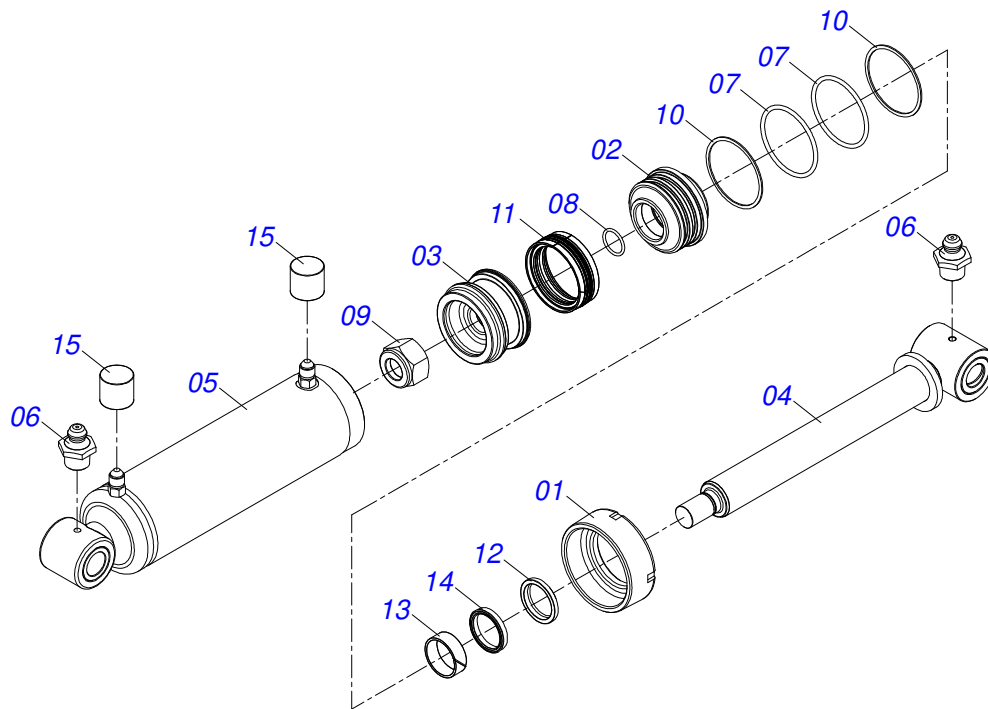
Item	Code	Description	See page	QT
01	0531061744	WHEEL SET LEFT SUPPORT		01
02	0521055518	WHEEL WITHOUT TIRE	7	01
03	0503013185	3/4" X 5-1/2" BOLT		01
04	0501017065	FLAT WASHER		01
05	0503011255	3/4" LOCK NUT		01



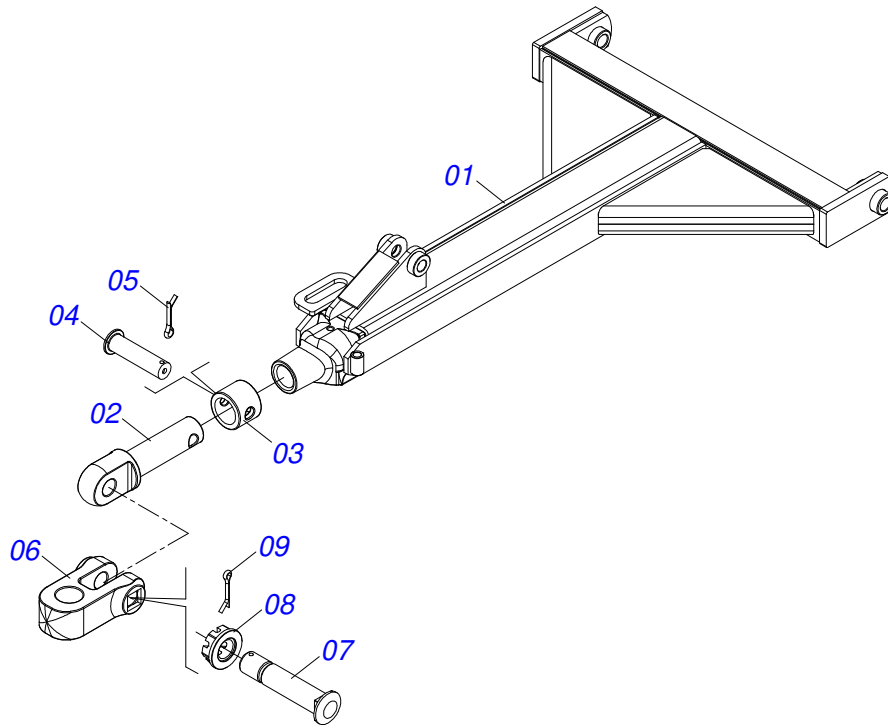
Item	Code	Description	See page	QT
01	0531061745	RIGHT WHEEL SUPPORT		01
02	0521055518	WHEEL WITHOUT TIRE	7	01
03	0503013185	3/4" X 5-1/2" BOLT		01
04	0501017065	FLAT WASHER		01
05	0503011255	3/4" LOCK NUT		01



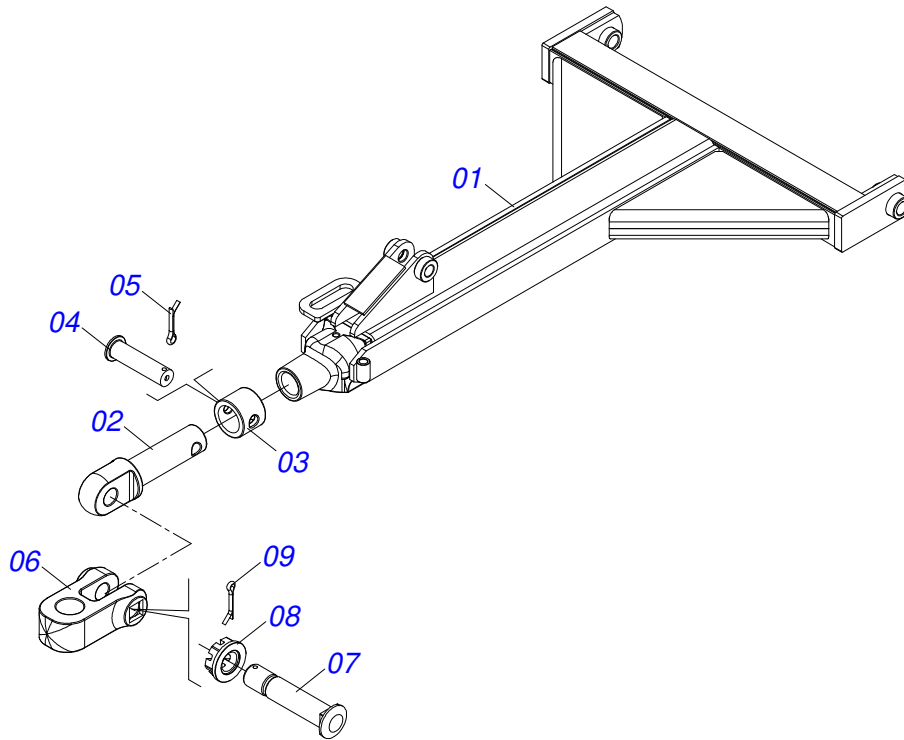
Item	Code	Description	See page	QT
01	0503010358	5/16" X 5/8" BOLT		04
02	0503014821	ROLLER BEARING		01
03	0503013314	RETENTOR 5166-GB 63,5 X 110 X 13 ARCA		01
04	0503011444	SPRING WASHER		04
05	0503010018	5/32 X 1-1/2 COTTERPIN		01
06	0503010008	ROLAMENTO 3780/37203		01
07	0503010002	1800 GREASE FITTING		01
08	0591010027	AXIS TIP		01
09	0502020591	PROTECCION COVER		01
10	0501010186	WHEEL SCREW 5/8UNF X 2.1/8CR		08
11	0503010064	5/8 UNF CONIC NUT		08
12	0503030009	1" CASTLE NUT		01
13	0511012492	ARRUELA LISA 28 X 46 X 6,30		01
14	0502012260	CAIXA RODADO TRANSPORTE		01



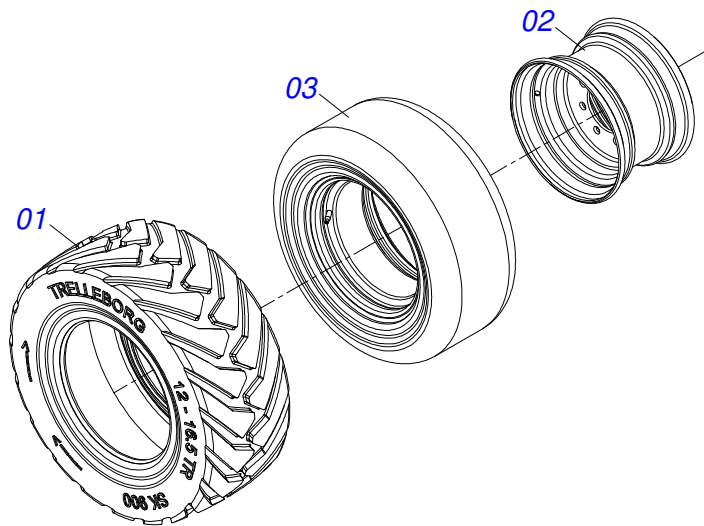
Item	Code	Description	See page	QT
01	0502012822	101.60 END CAP		01
02	0581010678	50,80 X 101 RING SUPPORT		01
03	0502012842	50,80 X 101,60 PISTON		01
04	0521066898	EXTENDER 50.80 X 492.50		01
05	0511071442	SHIRT 101.6 X 447.5		01
06	0503010002	1800 GREASE FITTING		02
07	0503010338	2-342 N 3006-9B O'RING		02
08	0503010345	2-218 N 3006-9B O'RING		01
09	0503010817	1.1/4" SELF LOCKING NUT		01
10	0503011061	8-342 BACK-UP RING		02
11	0503015633	SELEMASTER SEALING		01
12	0503015636	SCRAPER SEAL		01
13	0503018025	RING GUIDE		01
14	0503018026	1870-2000-375 B GASKET		01
15	0503030385	CYLINDER PLUG N-002		02
16	0511032511	ASSY CYLINDER REPAIR KIT 50.8X101.6		01



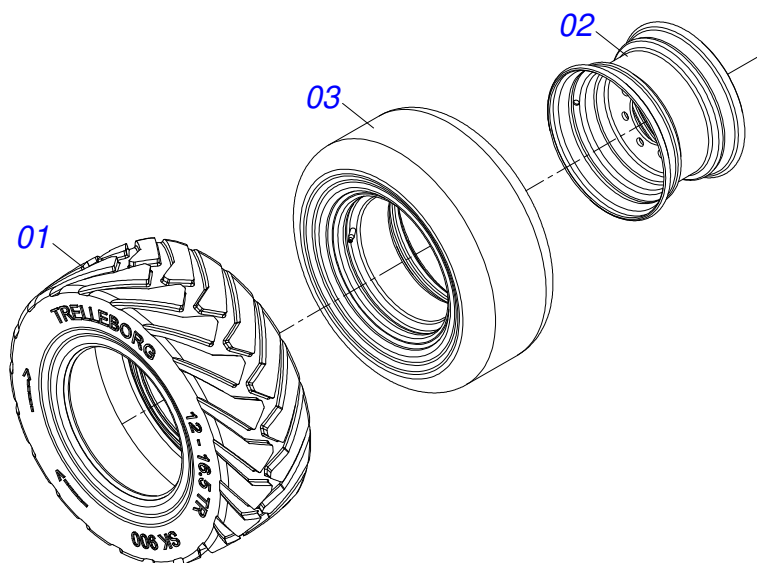
Item	Code	Description	See page	QT
01	0511063767	DRAWBAR		01
02	0502040223	DRAWBOLT		01
03	1902040327	LOCK SLEEVE		01
04	0511014902	COUPLING SHAFT		01
05	0503010571	1/4" X 1.1/2 COTTERPIN		01
06	1902040732	COUPLING		01
07	0521012545	COUPLING SHAFT		01
08	0501011301	1.1/2 UNC 6FPP 2.5/16 NUT		01
09	0503010010	1/4" X 2.1/2" COTTERPIN		01



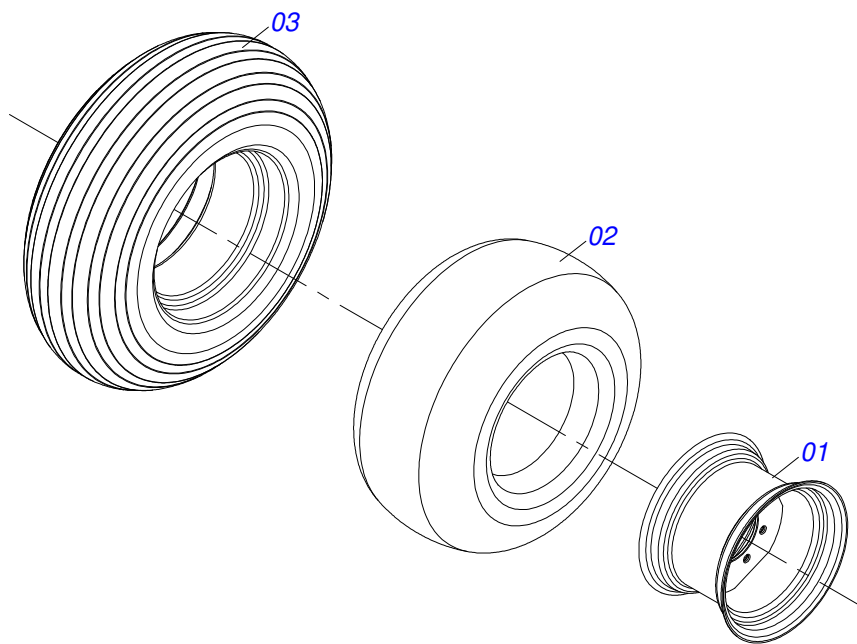
Item	Code	Description	See page	QT
01	0511063767	DRAWBAR		01
02	0502040223	DRAWBOLT		01
03	1902040327	LOCK SLEEVE		01
04	0511014902	COUPLING SHAFT		01
05	0503010571	1/4" X 1.1/2 COTTERPIN		01
06	1902040733	U COUPLING HOOK		01
07	0521012545	COUPLING SHAFT		01
08	0501011301	1.1/2 UNC 6FPP 2.5/16 NUT		01
09	0503010010	1/4" X 2.1/2" COTTERPIN		01



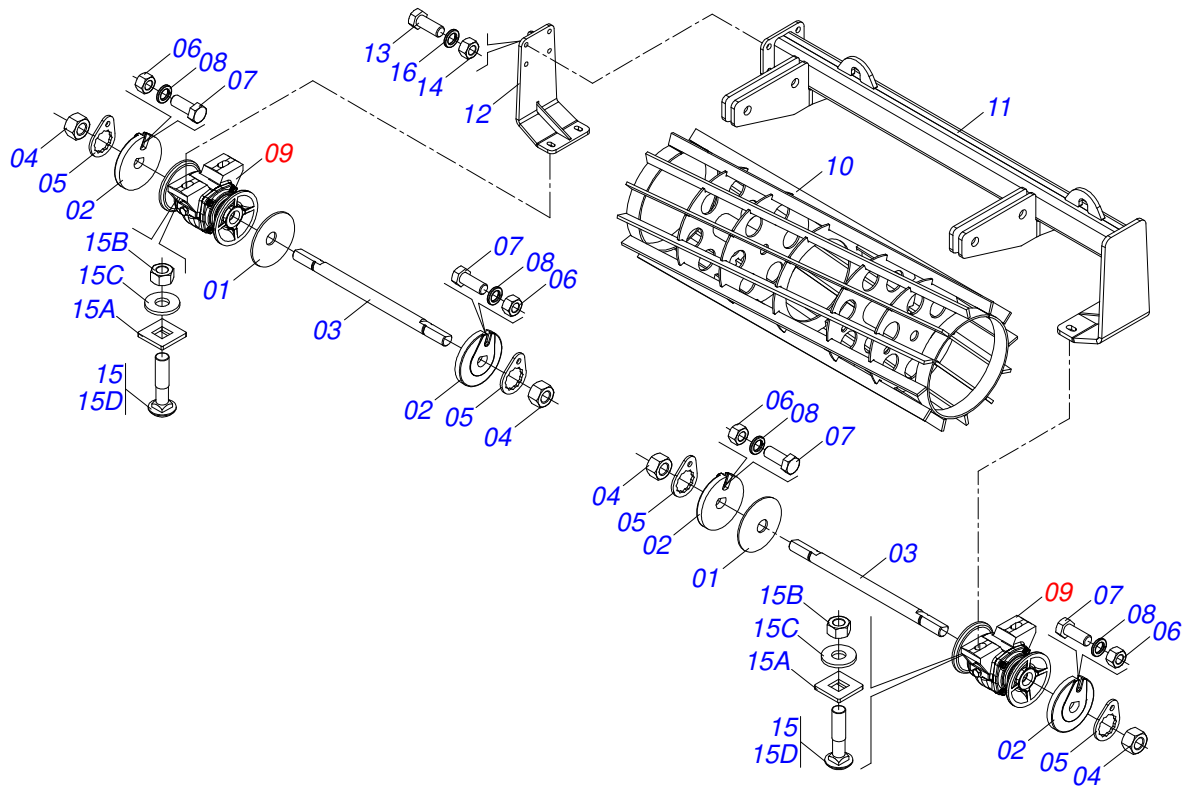
Item	Code	Description	See page	QT
01	0503033713	TIRE 12 X 16,5/12L TR SK 900		01
02	0503015029	WHEEL		01
03	0503015355	INNER TIRE		01



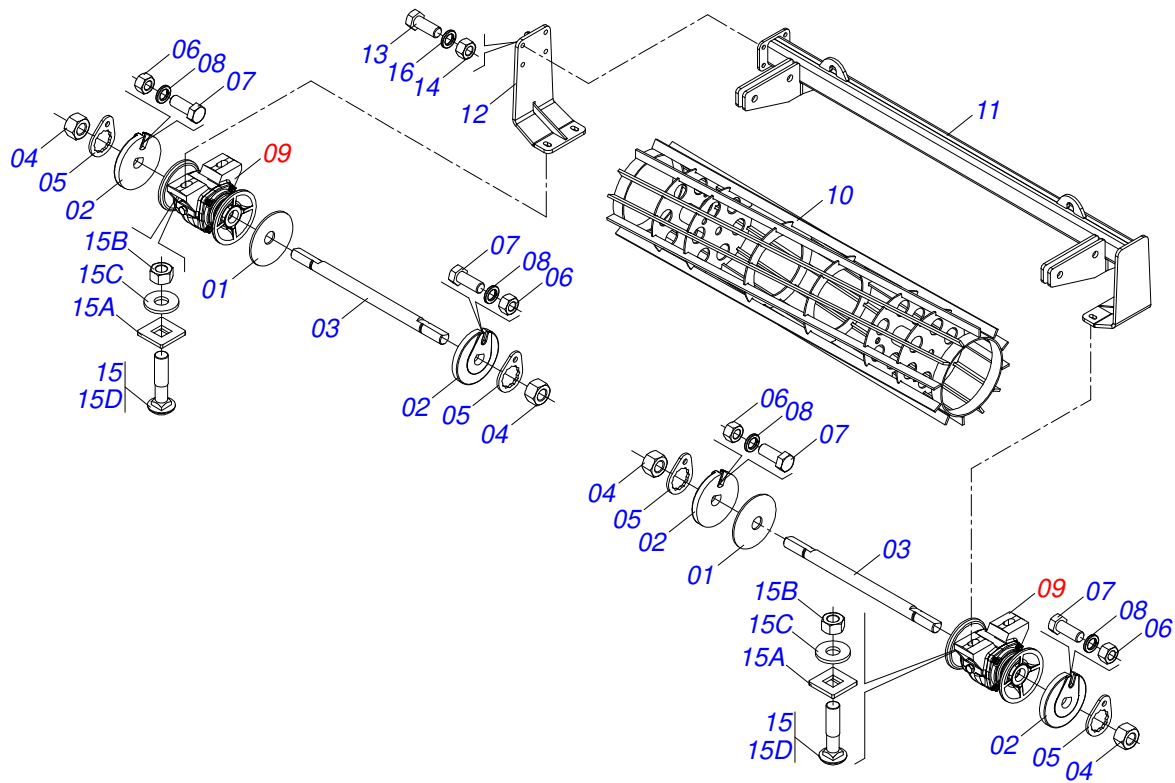
Item	Code	Description	See page	QT
01	0503033713	TIRE 12 X 16,5/12L TR SK 900		01
02	0503015029	WHEEL		01
03	0503015355	INNER TIRE		01



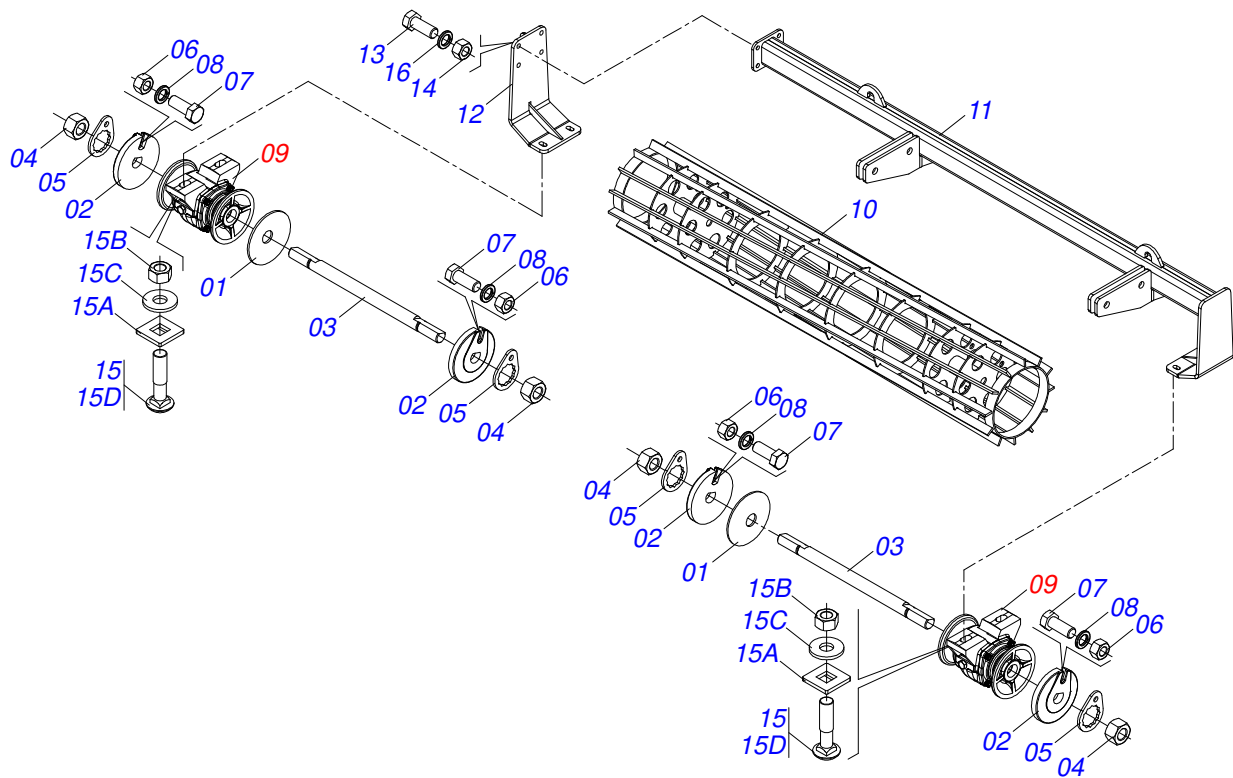
Item	Code	Description	See page	QT
01	0503012108	WHEEL 10 LB X 15 X 8F X 203		01
02	0503010860	AIR CHAMBER 11L 15		01
03	0503011469	RIB TIRE BL - 12L		01



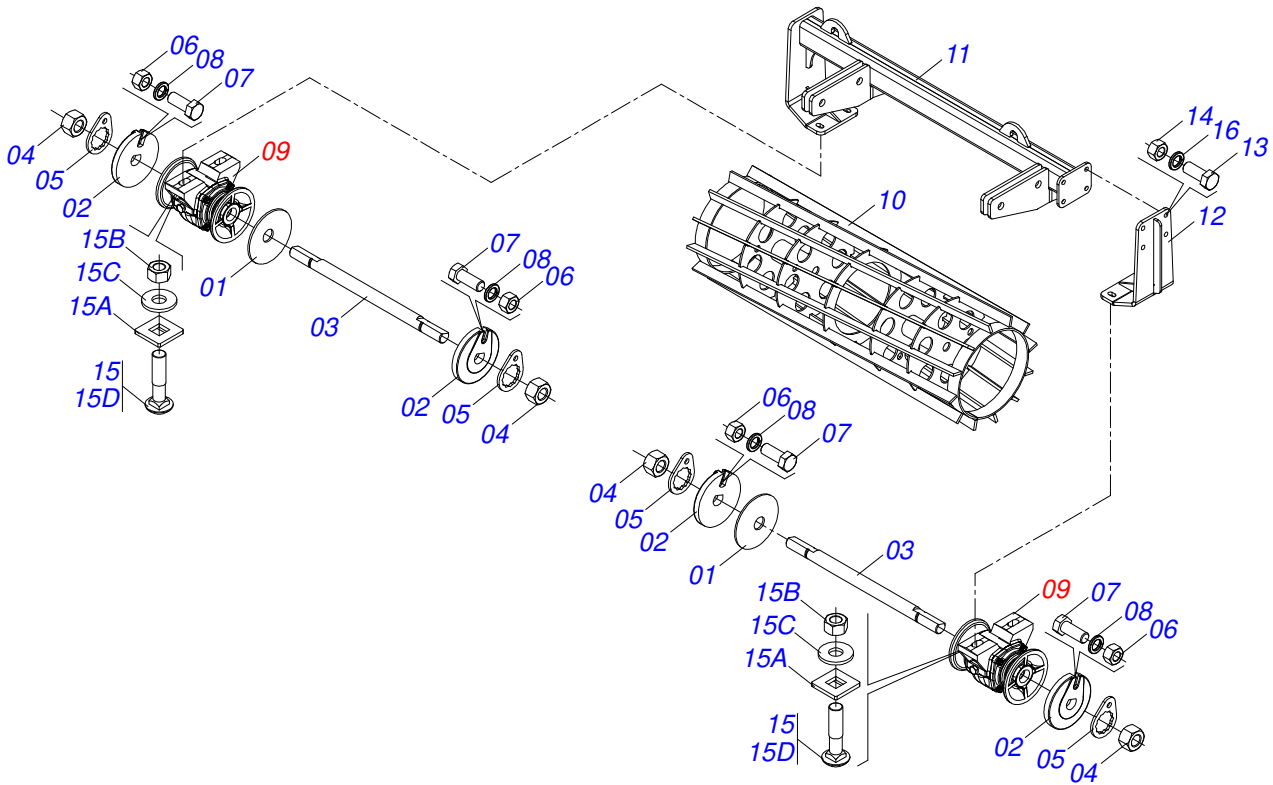
Item	Code	Description	See page	QT
01	0531018575	WASHER CONCAVE	02	
02	1902010835	1-1/4" EXTERNAL AXLE WASHER	04	
03	0501010752	1.1/4" X 500 AXLE	02	
04	0501010087	1.1/4" NUT	04	
05	0501010455	1.1/4" NUT LOCK	04	
06	0503010060	1/2" NUT	04	
07	0501010161	1/2" X 1.1/4" BOLT	04	
08	0503011440	SPRING WASHER	04	
09	0501046922	AGRICULTURAL BEARING DM OL 192.5 X 1.1/4 20 IMPLEMENT	02	
10	0521069761	DESTROYER ROLLER 1265 5H	01	
11	0531063083	RIGHT DESTROYER ROLLER SUPPORT 1280 - 5H	01	
12	0531063091	SUPPORT DESTROYER ROLLER	01	
13	0503010232	5/8" X 1.3/4" BOLT	04	
14	0503010013	5/8" NUT	04	
15	0501058802	5/8 UNC X 2.3/4 BOLT ASSY	04	
15A	0501010947	5/8 NUT LOCK	01	
15B	0503010013	5/8" NUT	02	
15C	0501012140	FLAT WASHER	01	
15D	0503015154	5/8" X 2.3/4" BOLT	01	
16	0503011445	SPRING WASHER	04	



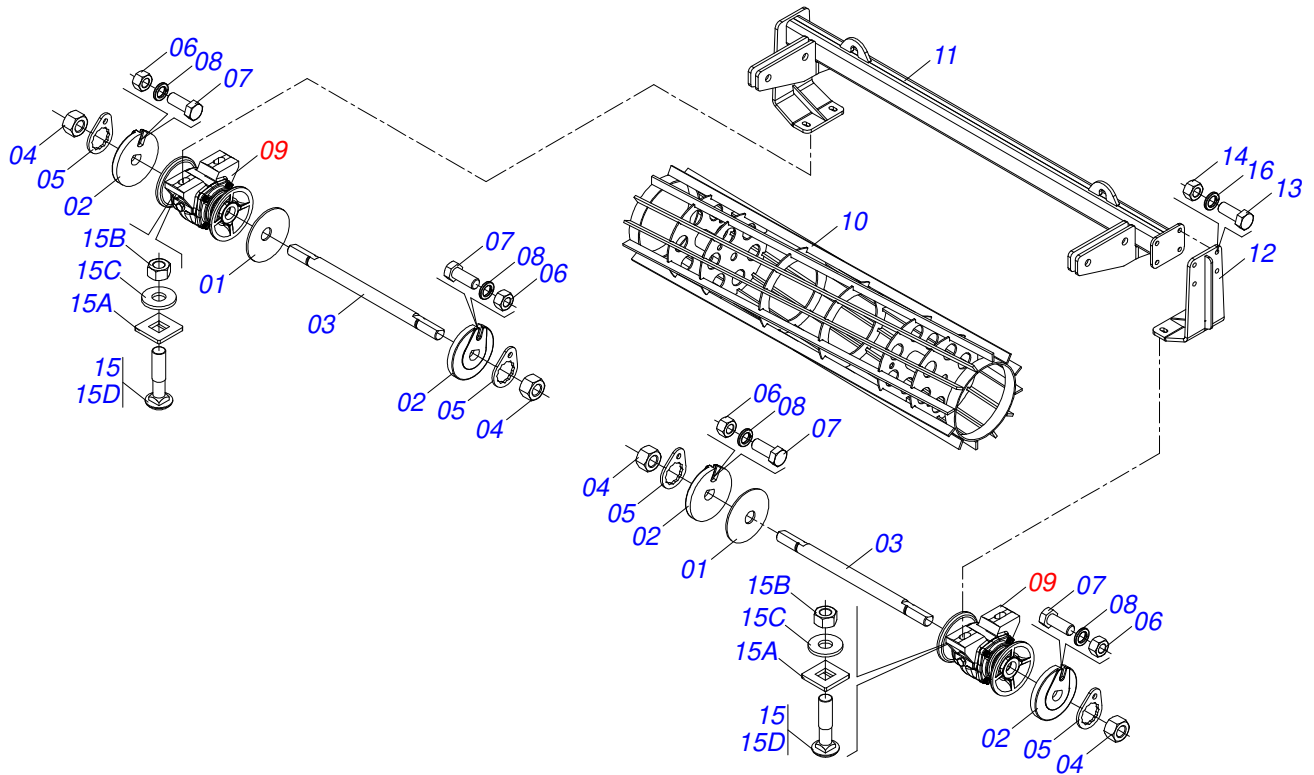
Item	Code	Description	See page	QT
01	0531018575	WASHER CONCAVE	02	
02	1902010835	1-1/4" EXTERNAL AXLE WASHER	04	
03	0501010752	1.1/4" X 500 AXLE	02	
04	0501010087	1.1/4" NUT	04	
05	0501010455	1.1/4" NUT LOCK	04	
06	0503010060	1/2" NUT	04	
07	0501010161	1/2" X 1.1/4" BOLT	04	
08	0503011440	SPRING WASHER	04	
09	0501046922	AGRICULTURAL BEARING DM OL 192.5 X 1.1/4 20 IMPLEMENT	02	
10	0521069790	DESTROYER ROLLER 1800	01	
11	0531063088	SUPPORT RIGHT DESTROYER ROLLER 1815 - 7H	01	
12	0531063091	SUPPORT DESTROYER ROLLER	01	
13	0503010232	5/8" X 1.3/4" BOLT	04	
14	0503010013	5/8" NUT	04	
15	0501058802	5/8 UNC X 2.3/4 BOLT ASSY	04	
15A	0501010947	5/8 NUT LOCK	01	
15B	0503010013	5/8" NUT	02	
15C	0501012140	FLAT WASHER	01	
15D	0503015154	5/8" X 2.3/4" BOLT	01	
16	0503011445	SPRING WASHER	04	



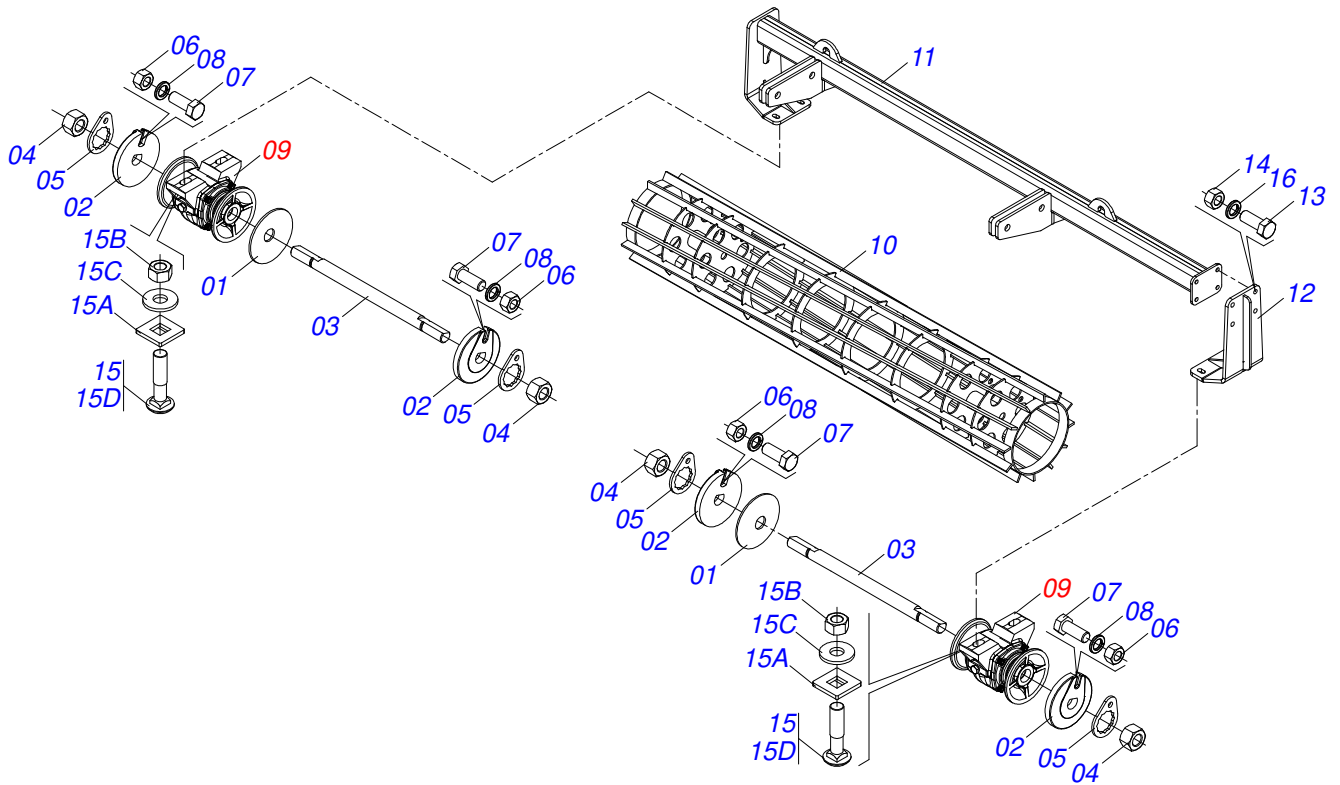
Item	Code	Description	See page	QT
01	0531018575	WASHER CONCAVE		02
02	1902010835	1-1/4" EXTERNAL AXLE WASHER		04
03	0501010752	1.1/4" X 500 AXLE		02
04	0501010087	1.1/4" NUT		04
05	0501010455	1.1/4" NUT LOCK		04
06	0503010060	1/2" NUT		04
07	0501010161	1/2" X 1.1/4" BOLT		04
08	0503011440	SPRING WASHER		04
09	0501046922	AGRICULTURAL BEARING DM OL 192.5 X 1.1/4 20 IMPLEMENT		02
10	0521065479	DESTROYER ROLLER 2290		01
11	0531063086	SUPPORT RIGHT DESTROYER ROLLER 2315 - 9H		01
12	0531063091	SUPPORT DESTROYER ROLLER		01
13	0503010232	5/8" X 1.3/4" BOLT		04
14	0503010013	5/8" NUT		04
15	0501058802	5/8 UNC X 2.3/4 BOLT ASSY		04
15A	0501010947	5/8 NUT LOCK		01
15B	0503010013	5/8" NUT		02
15C	0501012140	FLAT WASHER		01
15D	0503015154	5/8" X 2.3/4" BOLT		01
16	0503011445	SPRING WASHER		04



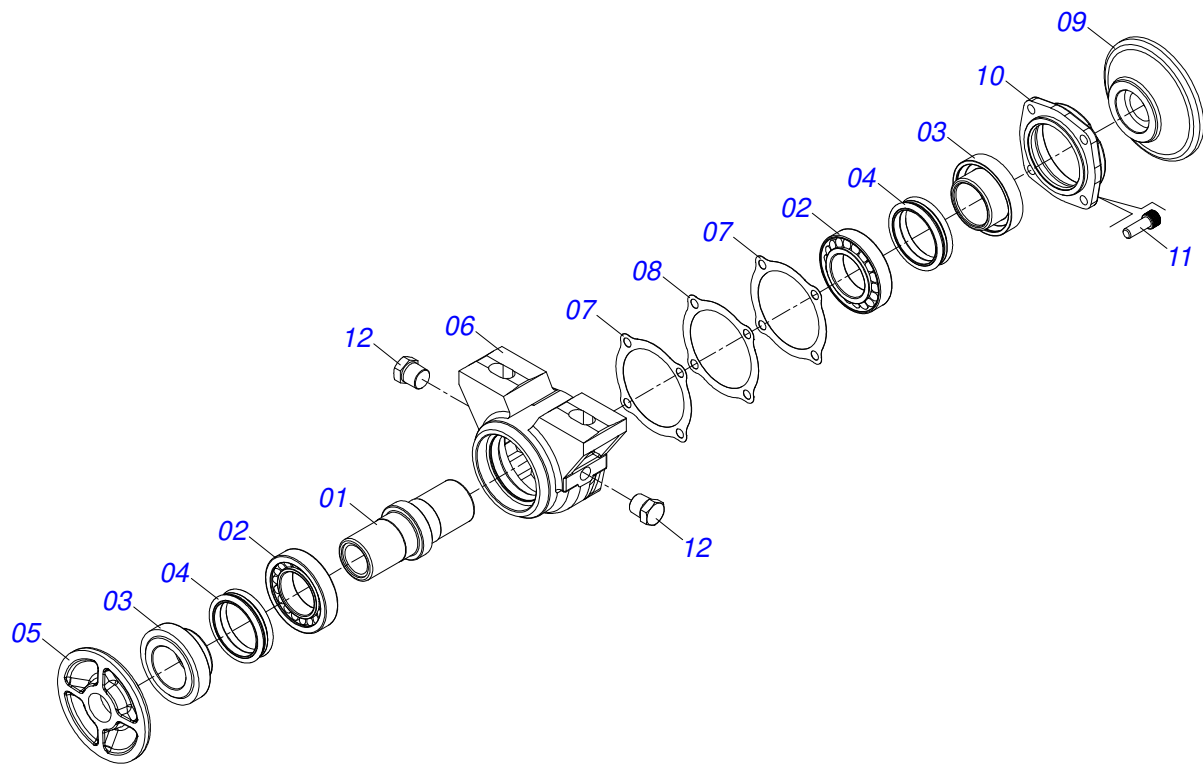
Item	Code	Description	See page	QT
01	0531018575	WASHER CONCAVE		02
02	1902010835	1-1/4" EXTERNAL AXLE WASHER		04
03	0501010752	1.1/4" X 500 AXLE		02
04	0501010087	1.1/4" NUT		04
05	0501010455	1.1/4" NUT LOCK		04
06	0503010060	1/2" NUT		04
07	0501010161	1/2" X 1.1/4" BOLT		04
08	0503011440	SPRING WASHER		04
09	0501046922	AGRICULTURAL BEARING DM OL 192.5 X 1.1/4 20 IMPLEMENT		02
10	0521069761	DESTROYER ROLLER 1265 5H		01
11	0531063084	SUPPORT LEFT DESTROYER ROLLE 1280 - 5H		01
12	0531063091	SUPPORT DESTROYER ROLLER		01
13	0503010232	5/8" X 1.3/4" BOLT		04
14	0503010013	5/8" NUT		04
15	0501058802	5/8 UNC X 2.3/4 BOLT ASSY		04
15A	0501010947	5/8 NUT LOCK		01
15B	0503010013	5/8" NUT		02
15C	0501012140	FLAT WASHER		01
15D	0503015154	5/8" X 2.3/4" BOLT		01
16	0503011445	SPRING WASHER		04



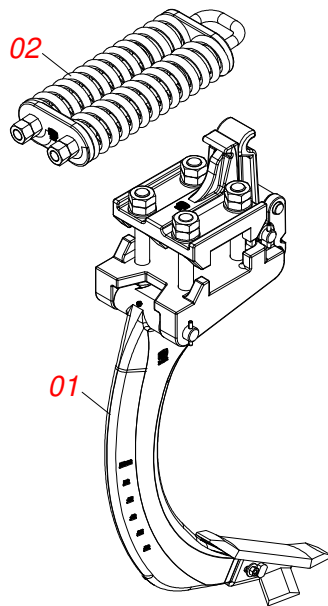
Item	Code	Description	See page	QT
01	0531018575	WASHER CONCAVE	02	
02	1902010835	1-1/4" EXTERNAL AXLE WASHER	04	
03	0501010752	1.1/4" X 500 AXLE	02	
04	0501010087	1.1/4" NUT	04	
05	0501010455	1.1/4" NUT LOCK	04	
06	0503010060	1/2" NUT	04	
07	0501010161	1/2" X 1.1/4" BOLT	04	
08	0503011440	SPRING WASHER	04	
09	0501046922	AGRICULTURAL BEARING DM OL 192.5 X 1.1/4 20 IMPLEMENT	02	
10	0521069790	DESTROYER ROLLER 1800	01	
11	0531063087	SUPPORT LEFT DESTROYER ROLLER 1815 - 7H	01	
12	0531063091	SUPPORT DESTROYER ROLLER	01	
13	0503010232	5/8" X 1.3/4" BOLT	04	
14	0503010013	5/8" NUT	04	
15	0501058802	5/8 UNC X 2.3/4 BOLT ASSY	04	
15A	0501010947	5/8 NUT LOCK	01	
15B	0503010013	5/8" NUT	02	
15C	0501012140	FLAT WASHER	01	
15D	0503015154	5/8" X 2.3/4" BOLT	01	
16	0503011445	SPRING WASHER	04	



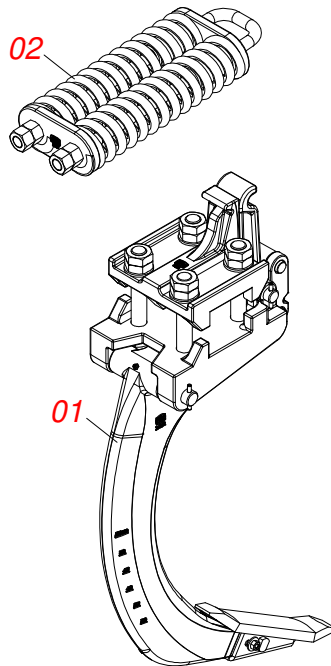
Item	Code	Description	See page	QT
01	0531018575	WASHER CONCAVE		02
02	1902010835	1-1/4" EXTERNAL AXLE WASHER		04
03	0501010752	1.1/4" X 500 AXLE		02
04	0501010087	1.1/4" NUT		04
05	0501010455	1.1/4" NUT LOCK		04
06	0503010060	1/2" NUT		04
07	0501010161	1/2" X 1.1/4" BOLT		04
08	0503011440	SPRING WASHER		04
09	0501046922	AGRICULTURAL BEARING DM OL 192.5 X 1.1/4 20 IMPLEMENT		02
10	0521065479	DESTROYER ROLLER 2290		01
11	0531063085	SUPPORT LEFT DESTROYER ROLLER 2315 - 9H		01
12	0531063091	SUPPORT DESTROYER ROLLER		01
13	0503010232	5/8" X 1.3/4" BOLT		04
14	0503010013	5/8" NUT		04
15	0501058802	5/8 UNC X 2.3/4 BOLT ASSY		04
15A	0501010947	5/8 NUT LOCK		01
15B	0503010013	5/8" NUT		02
15C	0501012140	FLAT WASHER		01
15D	0503015154	5/8" X 2.3/4" BOLT		01
16	0503011445	SPRING WASHER		04



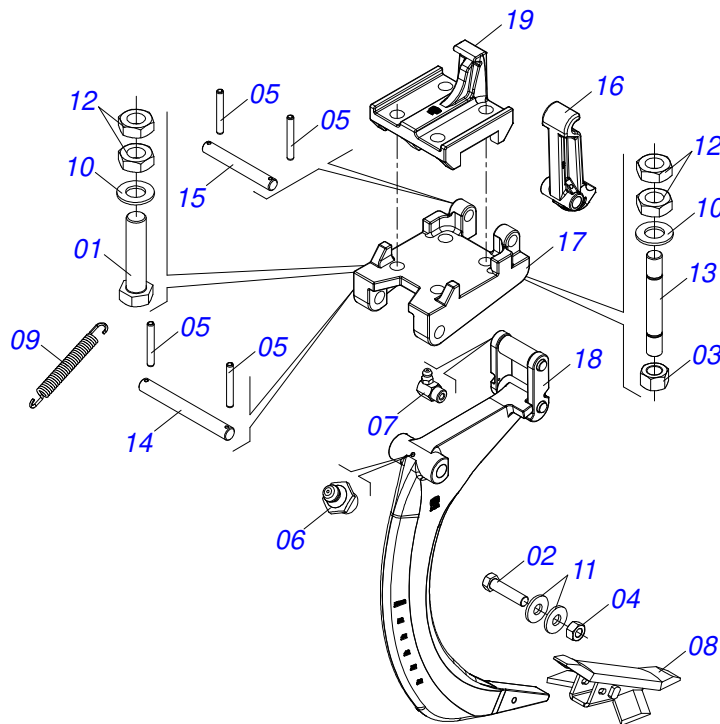
Item	Code	Description	See page	QT
01	0502040218	AXLE		01
02	0503010111	30210 ROLLER BEARING		02
03	0502010541	SEAL RETAINER		02
04	0503030026	SEAL LP JB-253		02
05	0502010071	INNER FLANGE		01
06	0502010540	HOUSING DM		01
07	0503030013	4.4" X 3.5" X 0.004" JOINT		02
08	0503030684	4.4" X 3.5" X 0.004" JOINT		01
09	0502010070	OUTER FLANGE		01
10	0502020424	HOUSING CAP		01
11	0503010134	3/8" X 1" BOLT		04
12	0503010856	OIL PLUG		02
13	3402301247	MINERAL OIL GREASE		0,11Lts



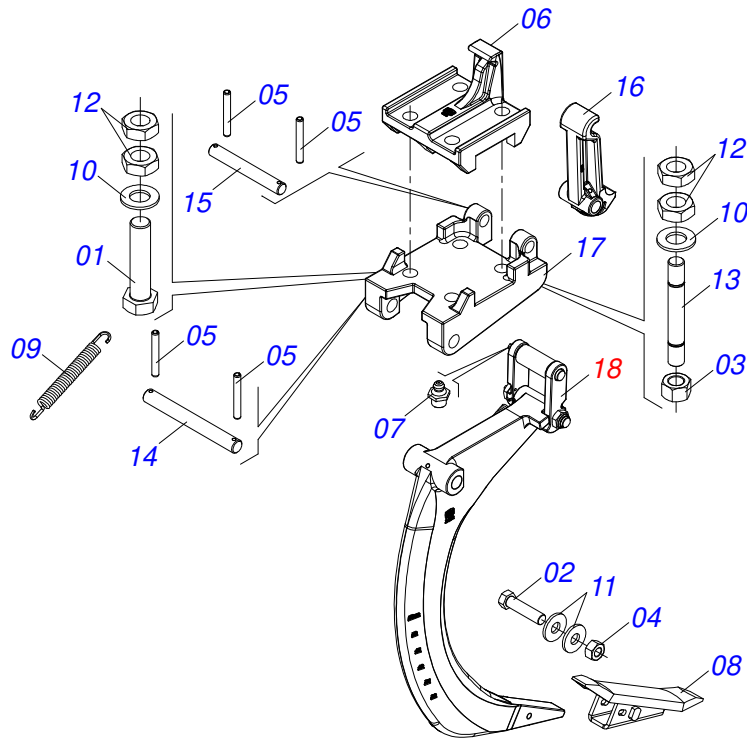
Item	Code	Description	See page	QT
01	0521055481	SYSTEM STEM WITHOUT SPRING PONTEIRA WINGED	23	01
02	0501052884	1" X 23.03" FASTENER	26	01



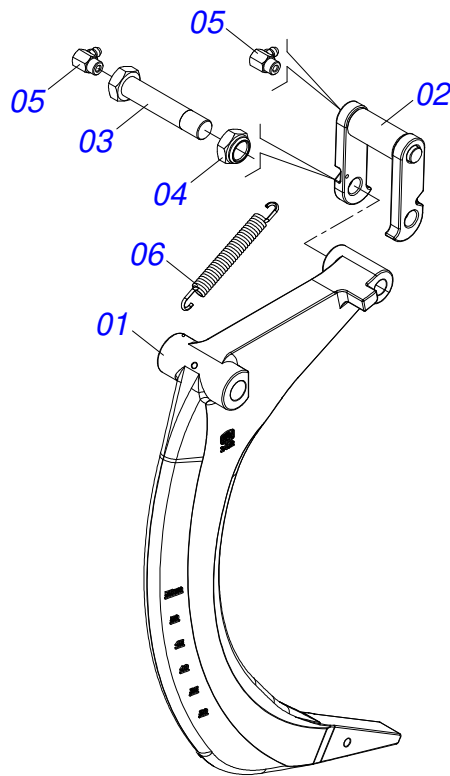
Item	Code	Description	See page	QT
01	0501057701	SYSTEM STEM WITHOUT SPRING	24	01
02	0501052884	1" X 23.03" FASTENER	26	01



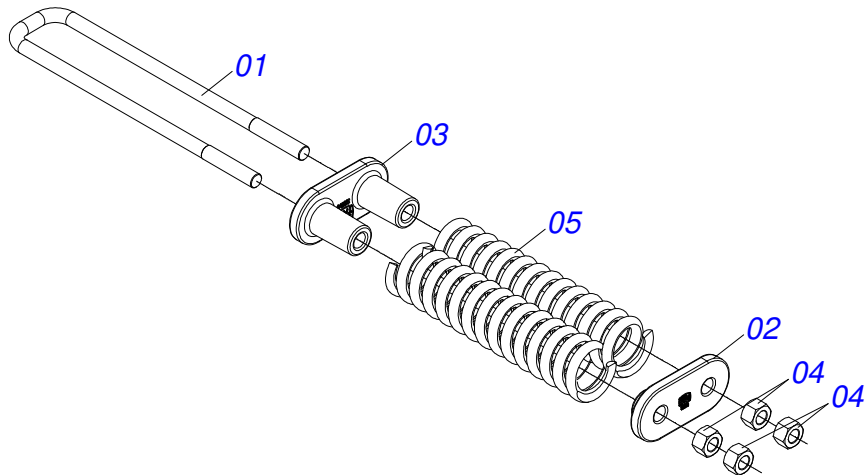
Item	Code	Description	See page	QT
01	0521017351	1-1/4" X 8" BOLT		02
02	0503010850	BOLT 7/16 UNC X 3 CS G.5 ZN		01
03	0503010352	1.1/4" UNF NUT		02
04	0503010244	7/16" NUT		01
05	0503011877	0.3" X 2.4" SPRING PIN		04
06	0503010004	1890 GREASE FITTING		02
07	0503010002	1800 GREASE FITTING		02
08	0521062441	TIP SUBSOILER		01
09	0503031574	6.9" X 0.8" X 0.1" EXTENSION SPRING		01
10	0501017779	32 X 60 X 4.75 FLAT WASHER		04
11	0501012803	FLAT WASHER		02
12	0503013094	1.1/4" NUT		08
13	0541010119	1.1/4" X 9.5" FASTENER		02
14	0521017367	1.2" X 10.1" AXLE		01
15	0521017366	1.1" X 7.7" AXLE		01
16	0502011823	SPRING FIXER ARM		01
17	0502011822	LOWER BASE		01
18	0511068743	ROD WITH ARM/DISARMMENT		01
19	1902011821	TOP BASE		01



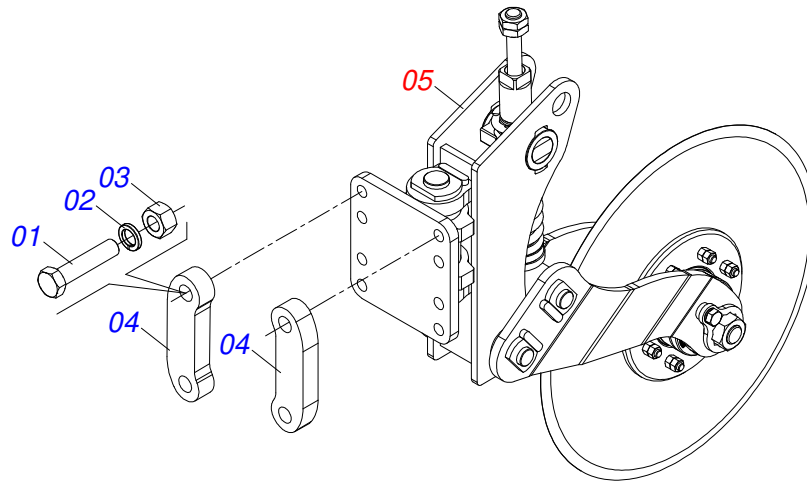
Item	Code	Description	See page	QT
01	0521017351	1-1/4" X 8" BOLT		02
02	0503010850	BOLT 7/16 UNC X 3 CS G.5 ZN		01
03	0503010352	1.1/4" UNF NUT		02
04	0503010244	7/16" NUT		01
05	0503011877	0.3" X 2.4" SPRING PIN		04
06	1902011821	TOP BASE		01
07	0503010002	1800 GREASE FITTING		02
08	0511068435	POINT SUBSOILER		01
09	0503031574	6.9" X 0.8" X 0.1" EXTENSION SPRING		01
10	0501017779	32 X 60 X 4.75 FLAT WASHER		04
11	0501012803	FLAT WASHER		02
12	0503013094	1.1/4" NUT		08
13	0541010119	1.1/4" X 9.5" FASTENER		02
14	0521017367	1.2" X 10.1" AXLE		01
15	0521017366	1.1" X 7.7" AXLE		01
16	0502011823	SPRING FIXER ARM		01
17	0502011822	LOWER BASE		01
18	0531053661	ROD WITH MOUNTED DISARM	25	01



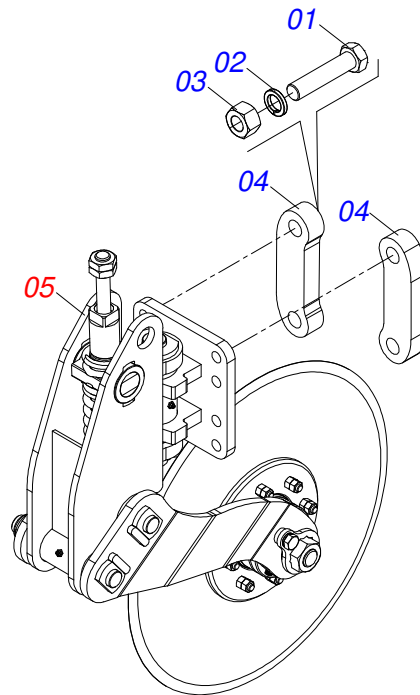
Item	Code	Description	See page	QT
01	0502012452	SHANKS		01
02	0531062682	PULLEY FIXING		01
03	0591019809	BOLT 1 UNC X 6.1/2		01
04	0503014182	SELF-ADJUSTING NUT		01
05	0503010004	1890 GREASE FITTING		02
06	0503031574	6.9" X 0.8" X 0.1" EXTENSION SPRING		01



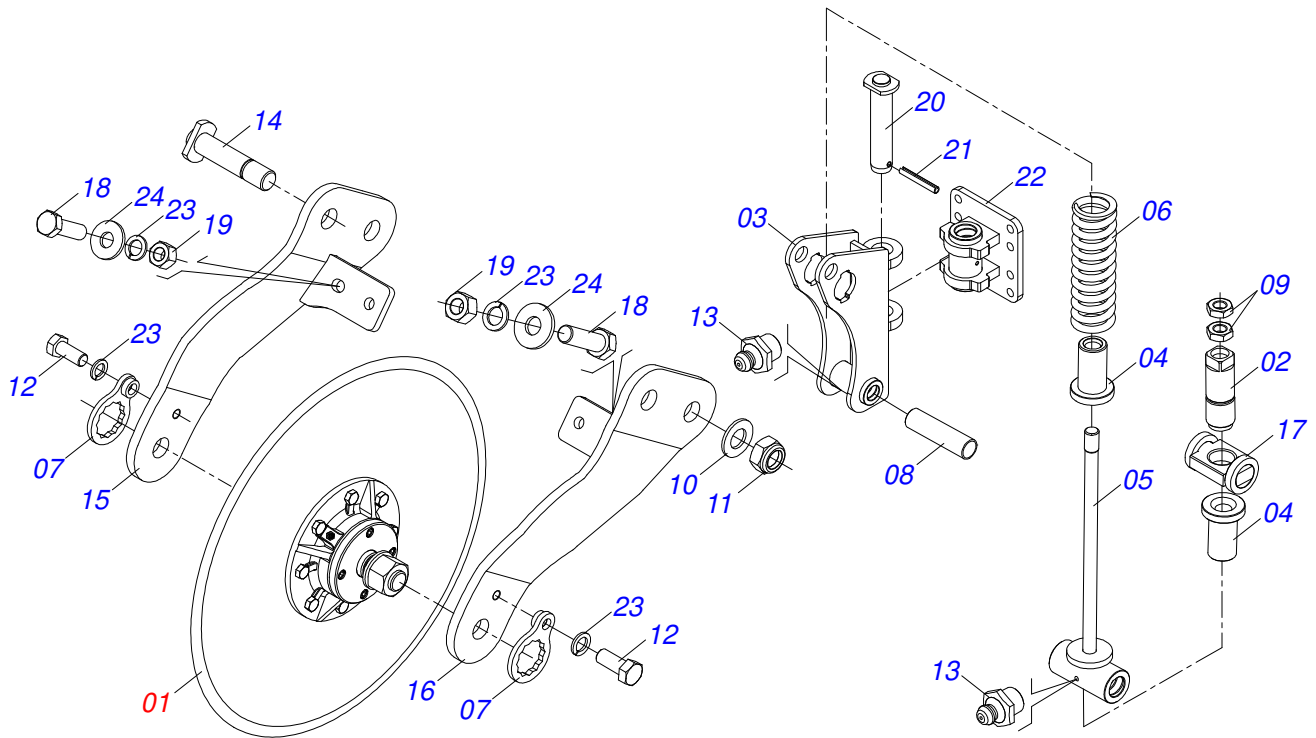
Item	Code	Description	See page	QT
01	0521017662	1" X 23.03" U FASTENER		01
02	0502011825	REAR FIXER SPRING		01
03	0502011824	FRONT FIXER SPRING		01
04	0503010340	1" NUT		04
05	0503031603	4" X 17" X 0.8" SPRING		02



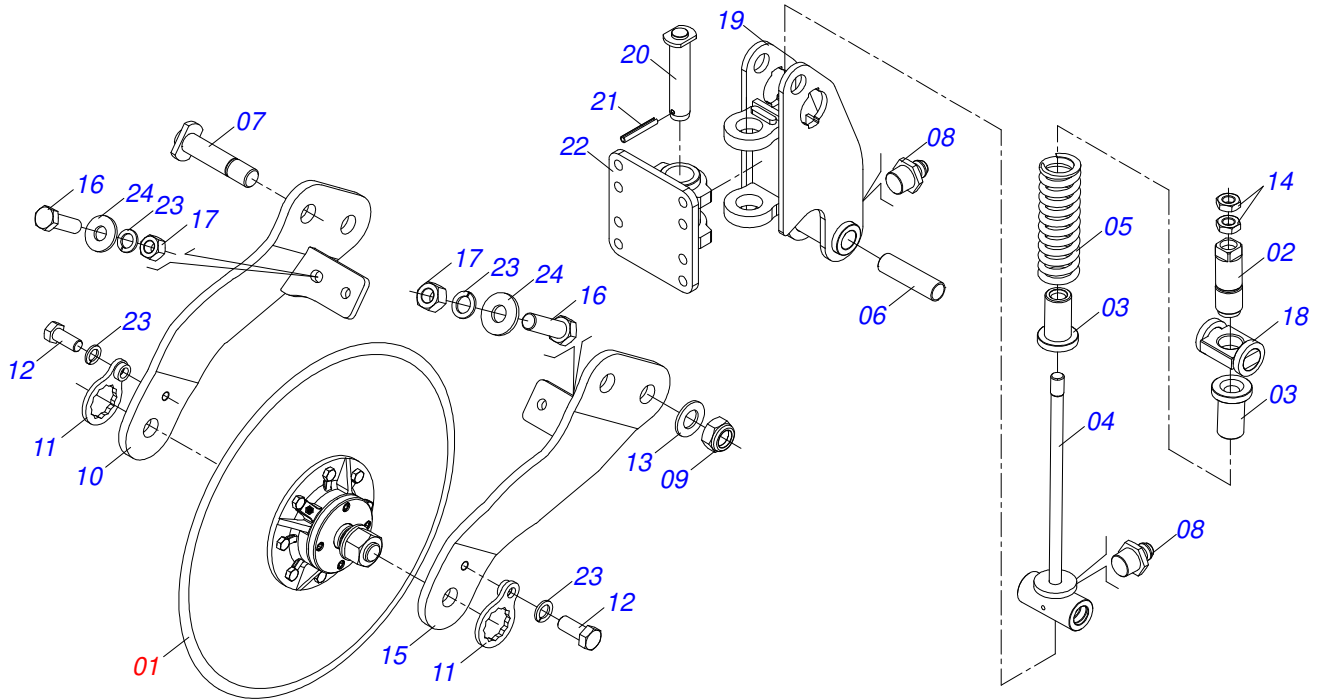
Item	Code	Description	See page	QT
01	0503014744	3/4 UNF X 7.1/2 C S G.7 ZN BOLT		04
02	0503010023	3/4" SPRING WASHER		04
03	0503019294	NUT S. 3/4 UNF G.8 ZN		04
04	0571011609	FIXER PLATE CUTTING DISC		02
05	0521044567	REAR BLADE DISC ASSY	29	01



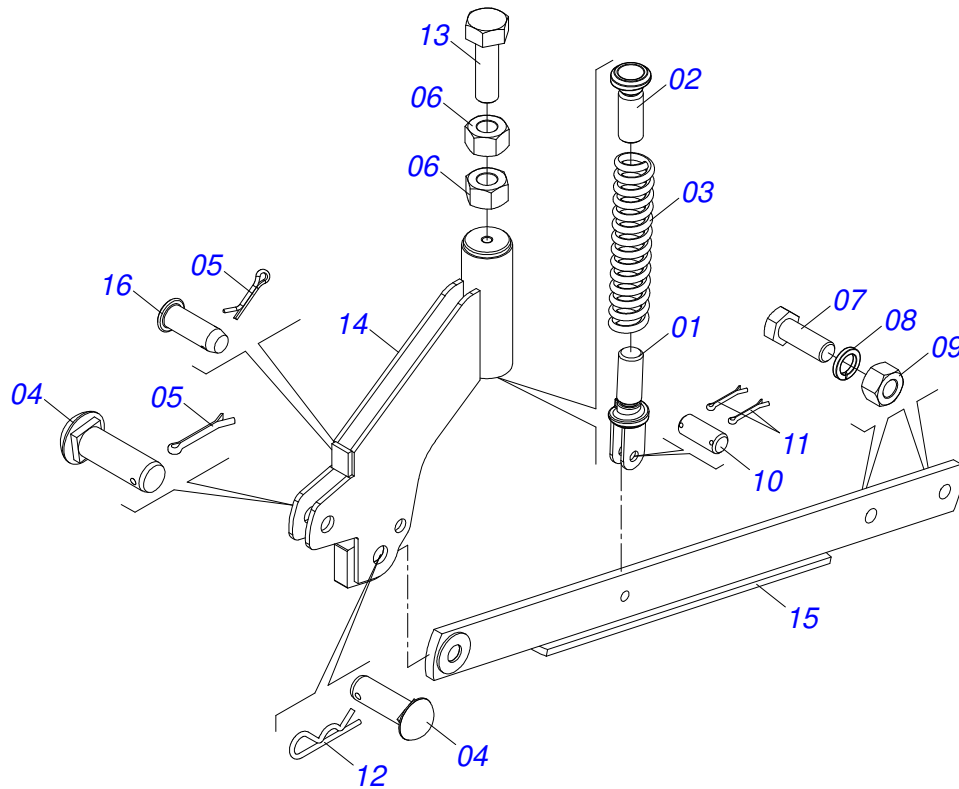
Item	Code	Description	See page	QT
01	0503014744	3/4 UNF X 7.1/2 C S G.7 ZN BOLT		04
02	0503010023	3/4" SPRING WASHER		04
03	0503019294	NUT S. 3/4 UNF G.8 ZN		04
04	0571011609	FIXER PLATE CUTTING DISC		02
05	0521044568	BLADE DISC FRONT	30	01



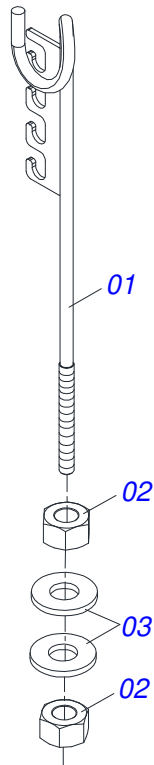
Item	Code	Description	See page	QT
01	0511053370	24" X 7,5 BLADE DISC ASSY		01
02	0571010668	2" REGULATOR SPINDLE		01
03	0521065137	REAR FIXER		01
04	0571010669	SLEEVE Ø28,58 X Ø50 X 105		02
05	0521062925	PRING ROD		01
06	0503031390	2.1"X10"X1/2" COMPRESSION SPRING		01
07	0501069637	AXLE NUT LOCK		02
08	0551014549	SLEEVE 32,54 X 37,80 X 140		02
09	0503013635	1" NUT		02
10	0501017779	32 X 60 X 4.75 FLAT WASHER		02
11	0503010044	1-1/4" SELF LOCKING NUT		02
12	0503011267	BOLT 5/8 UNC X 1.1/2 C S G.5 ZN		02
13	0503010002	1800 GREASE FITTING		03
14	0521062926	COUPLING SHAFT		02
15	0521062924	RIGHT ARM THE BLADE DISC		01
16	0521064686	RIGHT ARM OF THE BLADE DISC		01
17	0521064687	SPRING LOCKNUT		01
18	0501010100	SCREW 5/8 UNC X 2 CS G.5 ZN		02
19	0503010013	5/8" NUT		02
20	0521065131	COUPLING SHAFT		01
21	0503016184	SPRING PIN		01
22	0521065132	SPRING FIXER		01
23	0503810027	WASHER PRESSURE 5/8 SA		08
24	0501012140	FLAT WASHER		02



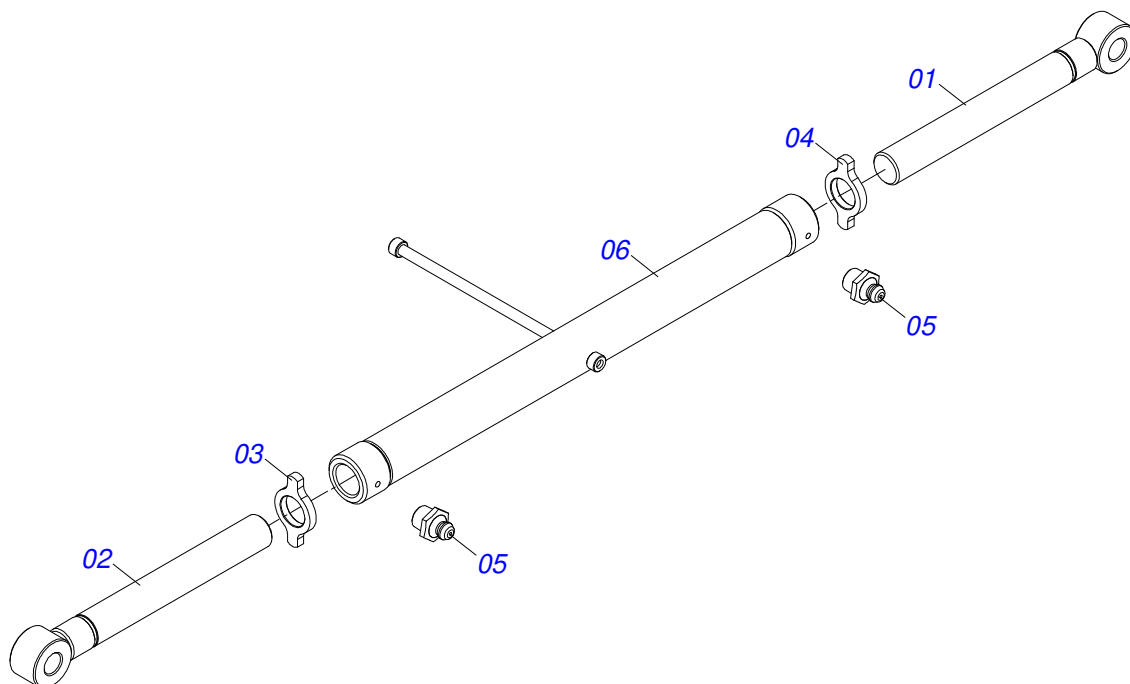
Item	Code	Description	See page	QT
01	0511053370	24" X 7,5 BLADE DISC ASSY		01
02	0571010668	2" REGULATOR SPINDLE		01
03	0571010669	SLEEVE Ø28,58 X Ø50 X 105		02
04	0521062925	PRING ROD		01
05	0503031390	2.1"X10"X1/2" COMPRESSION SPRING		01
06	0551014549	SLEEVE 32,54 X 37,80 X 140		02
07	0521062926	COUPLING SHAFT		02
08	0503010002	1800 GREASE FITTING		03
09	0503010044	1-1/4" SELF LOCKING NUT		02
10	0521062924	RIGHT ARM THE BLADE DISC		01
11	0501069637	AXLE NUT LOCK		02
12	0503011267	BOLT 5/8 UNC X 1.1/2 C S G.5 ZN		02
13	0501017779	32 X 60 X 4.75 FLAT WASHER		02
14	0503013635	1" NUT		02
15	0521064686	RIGHT ARM OF THE BLADE DISC		01
16	0501010100	SCREW 5/8 UNC X 2 CS G.5 ZN		02
17	0503010013	5/8" NUT		02
18	0521064687	SPRING LOCKNUT		01
19	0521065138	FRONT FIXER		01
20	0521065131	COUPLING SHAFT		01
21	0503016184	SPRING PIN		01
22	0521065132	SPRING FIXER		01
23	0503810027	WASHER PRESSURE 5/8 SA		08
24	0501012140	FLAT WASHER		02



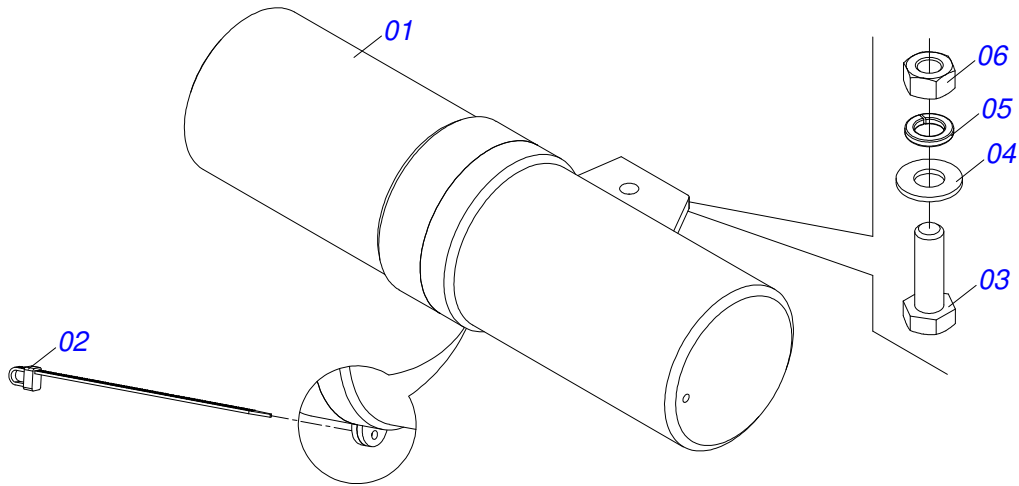
Item	Code	Description	See page	QT
01	0511064546	SPRING LOWER SUPPORT		01
02	0511064547	SPRING SUPPORT HOPPER		01
03	0503031560	COMPRESSION SPRING 42,6/44,6 X 350 X 12,7 1		01
04	0531017715	PIVOT SHAFT 31,75 X 82,50 C A P Q		02
05	0503010523	1/4" X 2" COTTERPIN		02
06	0503010014	3/4" NUT		01
07	0501010171	BOLT 1 UNC X 3.1/2 C S G.5		02
08	0503010012	1" SPRING WASHER		02
09	0501010059	1.5/8 NUT		02
10	0531016610	JUNCTION AXLE 3/4X45		01
11	0503010362	1/8" X 1.1/4" COTTERPIN		02
12	0503031035	HAIR PIN		01
13	0503013135	BOLT 3/4 UNC X 4 C S RT G.7		01
14	0531063089	ROLLER ARTICULATOR SUPPORT		01
15	0531063090	ARM DESTROYER ROLLER		01
16	0521010571	COUPLING SHAFT		01



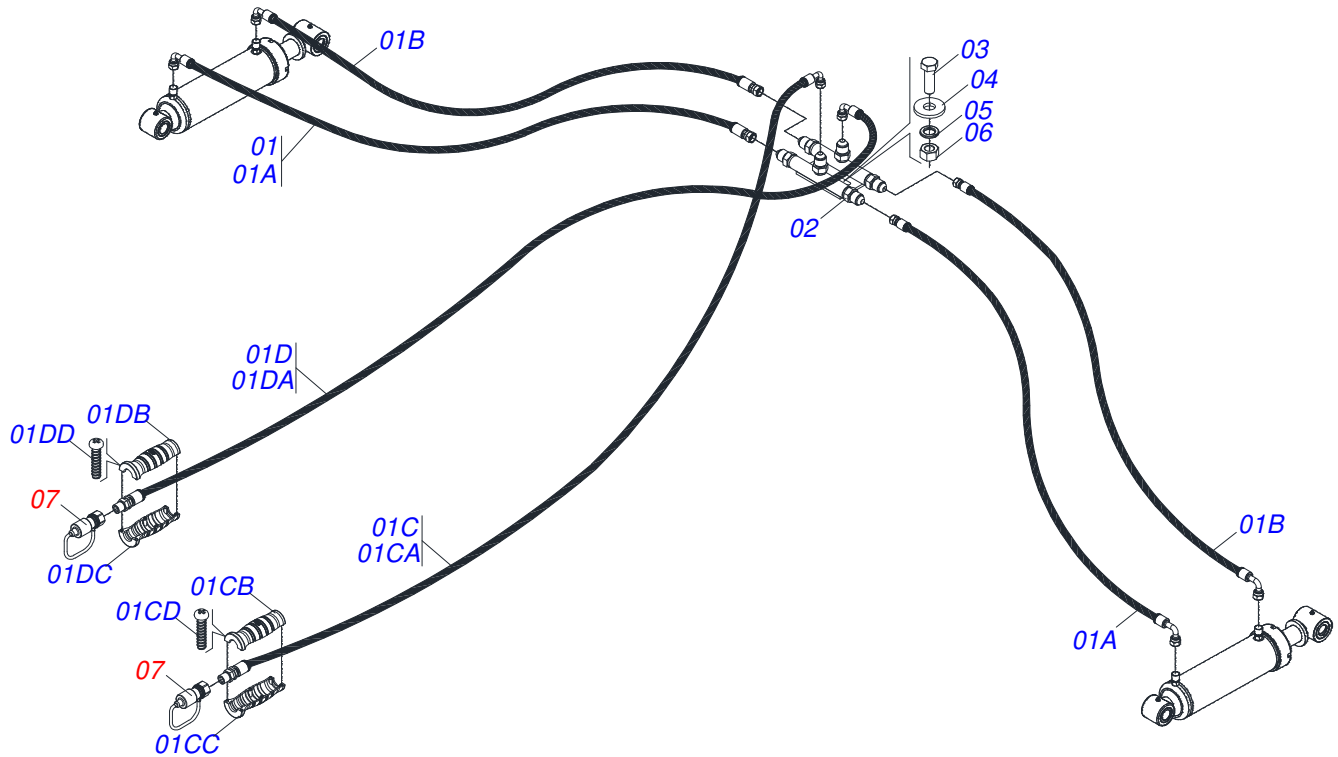
Item	Code	Description	See page	QT
01	0511067334	HOSE SOPPORT ASSY		01
02	0503010014	3/4" NUT		02
03	0501010322	FLAT WASHER		02



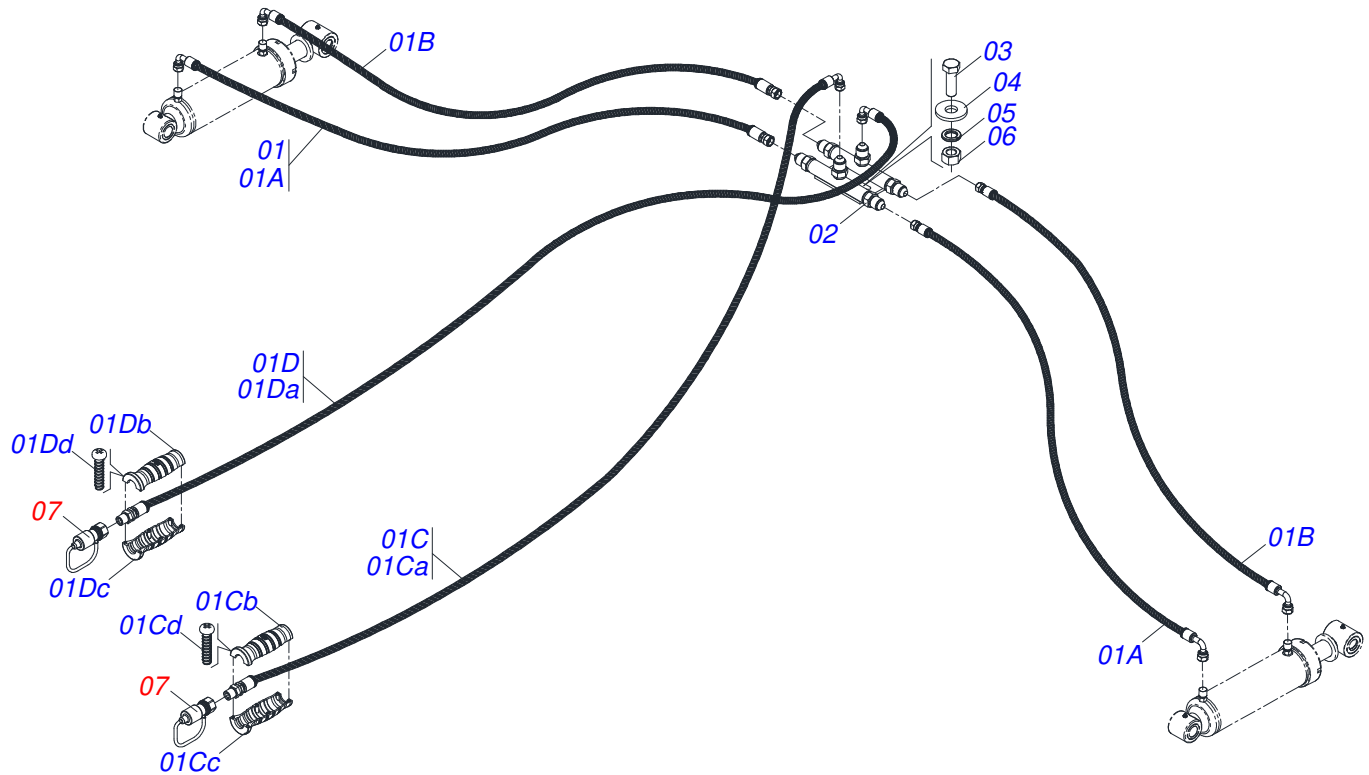
Item	Code	Description	See page	QT
01	0521068329	EXTENDER RIGHT SPINDLE R 2 UNC 8FPP		01
02	0521068330	LEFT SPINDLE EXTENDER R 2 UNC 8FPP		01
03	0561019304	LEFT LOCKNUT		01
04	0561019303	RIGHT LOCKNUT		01
05	0503010002	1800 GREASE FITTING		02
06	0521068697	EXTENDER R. 2 UNC 8FPP (908)		01



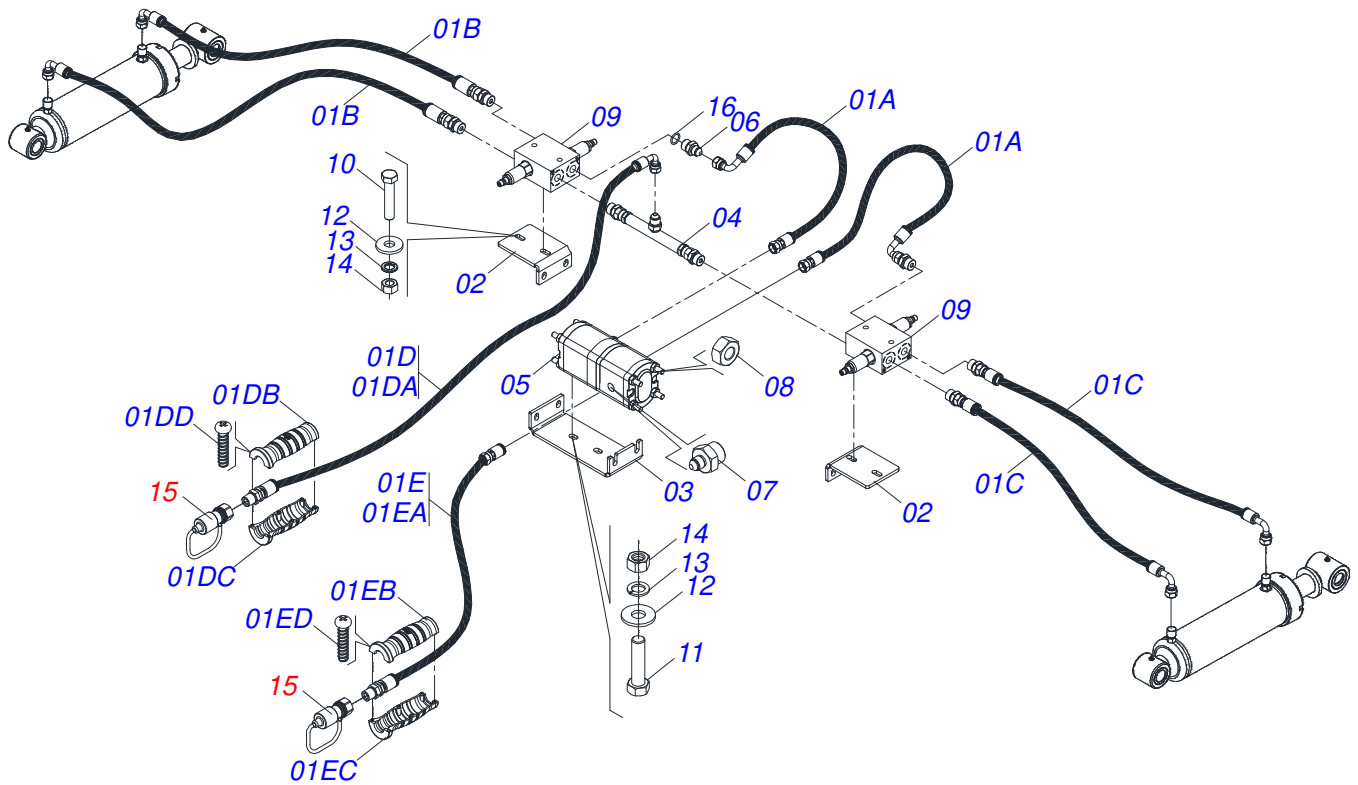
Item	Code	Description	See page	QT
01	0503060100	OPERATOR'S MANUAL STORAGE TUBE		01
02	0503010267	NYLON CLAMP		01
03	0503010363	5/16" X 1" BOLT		01
04	0501010694	8.5 X 18 X 1.5 FLAT WASHER		01
05	0503010179	5/16" ZN SPRING WASHER		01
06	0503010337	5/16" NUT		01
07	0511032611	PLASTIC COVER WITH INSTRUCTIONS MANUAL		01



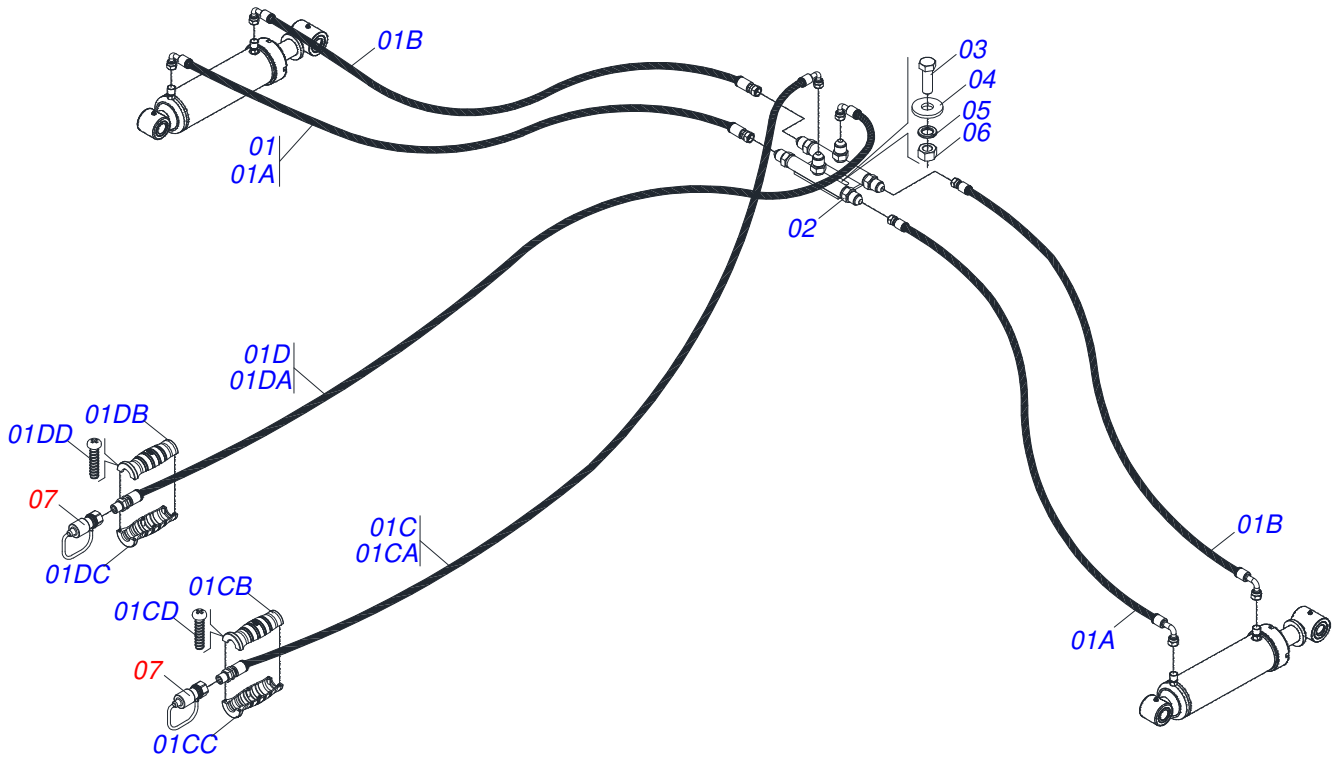
Item	Code	Description	See page	QT
01	0521055493	HOSE KIT 5H		01
01A	0501080302	TR-TC HOSE ASSY		02
01B	0501080436	HOSE 3/8 X 1500 TR-TC		02
01C	0521052594	3/8 X 3500 TC-TM HOSE BLACK / RED		01
01CA	0501080365	HOSE 3/8 X 3500 TC-TM		01
01CB	0503034492	HYDRAULIC HOSE GRIP (BLACK)		01
01CC	0503034495	HYDRAULIC HOSE GRIP (RED)		01
01CD	0503018952	PLASTIC BOLT		06
01D	0521052595	3/8 X 3500 TC-TM HOSE BLACK / BLUE		01
01DA	0501080365	HOSE 3/8 X 3500 TC-TM		01
01DB	0503034492	HYDRAULIC HOSE GRIP (BLACK)		01
01DC	0503034494	HYDRAULIC HOSE GRIP (BLUE)		01
01DD	0503018952	PLASTIC BOLT		06
02	0501068706	DOUBLE CONNECTION		01
03	0503010237	3/8" X 1" BOLT		02
04	0501010984	FLAT WASHER		02
05	0503010025	3/8" SPRING WASHER		02
06	0503010026	3/8" NUT		02
07	0501053834	MALE QUICK COUPLER WITH CAP - 1/2 NPT	39	02



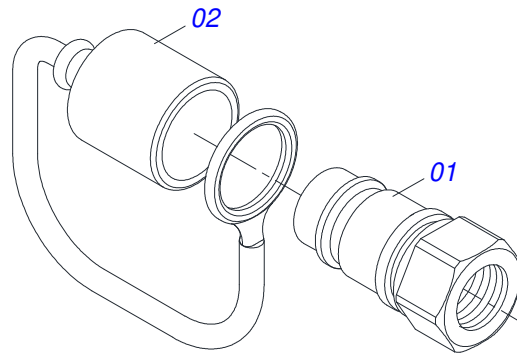
Item	Code	Description	See page	QT
01	052105517	HOSE GAME 7H		01
01A	0501080402	HOSE 3/8 X 1700 TR-TC		02
01B	0501080431	TR-TC HOSE ASSY		02
01C	0521052594	3/8 X 3500 TC-TM HOSE BLACK / RED		01
01Ca	0501080365	HOSE 3/8 X 3500 TC-TM		01
01Cb	0503034492	HYDRAULIC HOSE GRIP (BLACK)		01
01Cc	0503034495	HYDRAULIC HOSE GRIP (RED)		01
01Cd	0503018952	PLASTIC BOLT		06
01D	0521052595	3/8 X 3500 TC-TM HOSE BLACK / BLUE		01
01Da	0501080365	HOSE 3/8 X 3500 TC-TM		01
01Db	0503034492	HYDRAULIC HOSE GRIP (BLACK)		01
01Dc	0503034494	HYDRAULIC HOSE GRIP (BLUE)		01
01Dd	0503018952	PLASTIC BOLT		06
02	0501068706	DOUBLE CONNECTION		01
03	0503010237	3/8" X 1" BOLT		02
04	0501010984	FLAT WASHER		02
05	0503010025	3/8" SPRING WASHER		02
06	0503010026	3/8" NUT		02
07	0501053834	MALE QUICK COUPLER WITH CAP - 1/2 NPT	39	02



Item	Code	Description	See page	QT
01	0531050893	HOSE SET		01
01A	0501080445	TR-TM HOSE ASSY		02
01B	0501080402	HOSE 3/8 X 1700 TR-TC		02
01C	0501080431	TR-TC HOSE ASSY		02
01D	0521052335	3/8 X 3500 TR-TM HOSE BLACK / RED		01
01DA	0501080510	HOSE 3/8 X 3500 TR-TM		01
01DB	0503034492	HYDRAULIC HOSE GRIP (BLACK)		01
01DC	0503034495	HYDRAULIC HOSE GRIP (RED)		01
01DD	0503018952	PLASTIC BOLT		06
01E	0521052595	3/8 X 3500 TC-TM HOSE BLACK / BLUE		01
01EA	0501080365	HOSE 3/8 X 3500 TC-TM		01
01EB	0503034492	HYDRAULIC HOSE GRIP (BLACK)		01
01EC	0503034494	HYDRAULIC HOSE GRIP (BLUE)		01
01ED	0503018952	PLASTIC BOLT		06
02	0591016433	RELIEF VALVE SUPPORT		02
03	0591016435	DIVIDING VALVE SUPPORT		01
04	0531061746	RETURNING DISTRIBUTOR		01
05	0503013791	DOUBLE MOTOR		01
06	0551012463	1/2" BSPT X 3/4" UNF X 51 NIPPLE		02
07	0551012462	NIPPLE		01
08	0503011051	M10 X 0.6" NUT		08
09	0503019917	COMMAND BLOCK		02
10	0503010765	3/8" X 3" BOLT		04
11	0503010237	3/8" X 1" BOLT		02
12	0501010984	FLAT WASHER		06
13	0503010025	3/8" SPRING WASHER		06
14	0503010026	3/8" NUT		06
15	0501053834	MALE QUICK COUPLER WITH CAP - 1/2 NPT	39	02
16	0503010045	O'RING		02



Item	Code	Description	See page	QT
01	0521054482	HOSE KIT 9H		01
01A	0501080382	3/8" X 102" TR-TC HOSE ASSY		02
01B	0501080412	3/8" X 90.55" TR-TC HOSE		02
01C	0521052594	3/8 X 3500 TC-TM HOSE BLACK / RED		01
01CA	0501080365	HOSE 3/8 X 3500 TC-TM		01
01CB	0503034492	HYDRAULIC HOSE GRIP (BLACK)		01
01CC	0503034495	HYDRAULIC HOSE GRIP (RED)		01
01CD	0503018952	PLASTIC BOLT		06
01D	0521052595	3/8 X 3500 TC-TM HOSE BLACK / BLUE		01
01DA	0501080365	HOSE 3/8 X 3500 TC-TM		01
01DB	0503034492	HYDRAULIC HOSE GRIP (BLACK)		01
01DC	0503034494	HYDRAULIC HOSE GRIP (BLUE)		01
01DD	0503018952	PLASTIC BOLT		06
02	0501068706	DOUBLE CONNECTION		01
03	0503010237	3/8" X 1" BOLT		02
04	0501010984	FLAT WASHER		02
05	0503010025	3/8" SPRING WASHER		02
06	0503010026	3/8" NUT		02
07	0501053834	MALE QUICK COUPLER WITH CAP - 1/2 NPT	39	02



Item	Code	Description	See page	QT
01	0503011627	MALE QUICK COUPLER AGR 1/2 NPT		01
02	0503011882	MALE QUICK COUPLER CAP		01



civemasa

Technical Publications | Elaboration and Revision

ALESSANDRA PATRICIA KAWAHARA CARRILI

www.civemasa.com.br

