

DISK HARROWS

GDMC 60D

Code: 0501093142
Series: S-0610
Revision: 00
Revision Date: FEVEREIRO/2022

PARTS CATALOGUE


CIVEMASA

PRODUCTS

Code	Description
0120900069	GDMC 60 X 24 X 4,75 DM DR E 1.1/2 PA S-0610

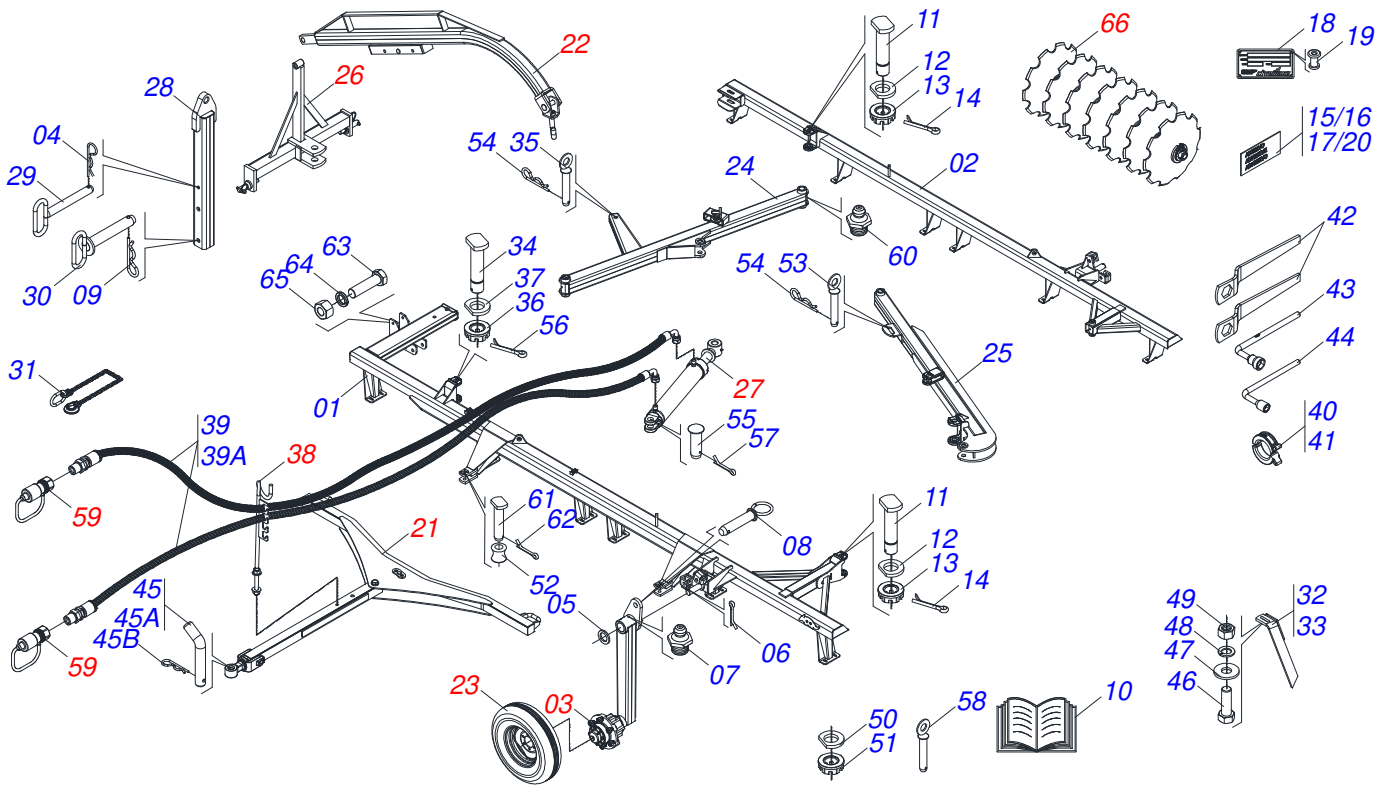
ATTENTION: IMPORTANT

CIVEMASA reserves the right to improve and/or modify the technical features of its products, without obligation to do the same with those products already sold and without prior knowledge of the dealer or the consumer. The photos are only illustrative.



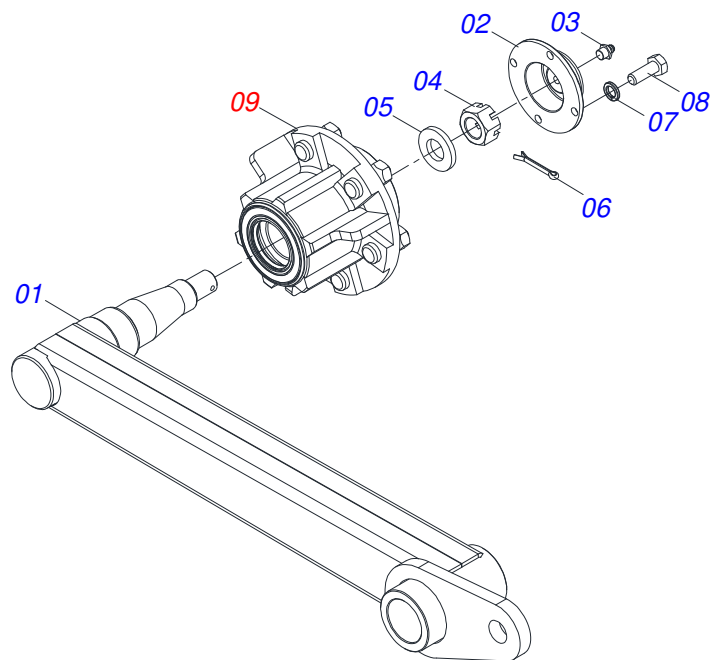
INDEX

0909096135	ASSY FRAME	1
0511050078	WHEEL WITH HUB	2
0501051142	CARRYING WHEEL HUB	3
0511042712	DRAWBAR ASSY	4
0521042072	FRAME ASSY	5
0503060094	WHEEL AND TIRE ASSY	6
0501053527	HEADER WITH EAR HITCH	7
0511058459	HYDRAULIC CYLINDER	8
0501040257	3/4 X 1200 HOSE HOLDER A	9
0501053834	MALE QUICK COUPLER WITH CAP - 1/2 NPT	10
0909096136	GANG DISC ASSY	11
0501047055	BEARING	12

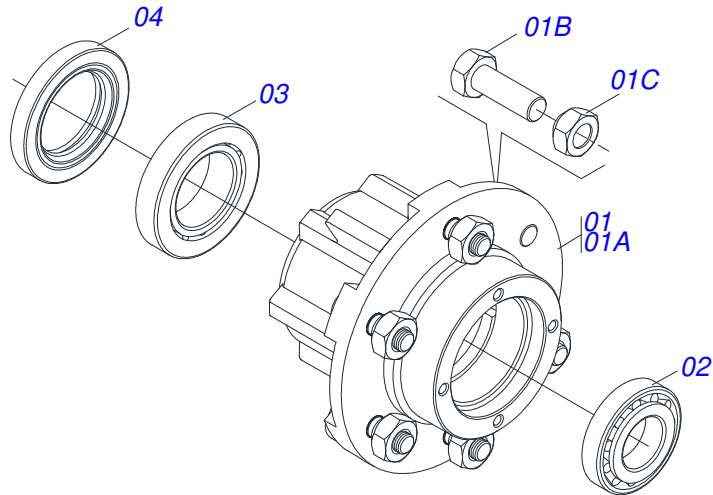


Item	Code	Description	See page	QT
01	0521065841	REAR FRAME		01
02	0521061560	REAR FRAME 60		01
03	0511050078	WHEEL WITH HUB	2	02
04	0503030012	HAIR PIN		02
05	0501815875	FLAT WASHER		02
06	0503010534	3/8 X 2-1/2 COTTERPIN		02
07	0503010002	1800 GREASE FITTING		02
08	0501868992	COUPLING SHAFT		02
09	0503031035	HAIR PIN		02
10	0511032928	BAG WITH INSTRUCTION MANUAL		01
11	0531019497	1.5" X 9.2" ARTICULATED AXIS		03
12	0531019540	FLAT WASHER		03
13	0501011301	1.1/2 UNC 6FPP 2.5/16 NUT		03
14	0503010010	1/4" X 2.1/2" COTTERPIN		03
15	0503033647	APPROVED BADGE		02
16	0503034280	ADHESIVE		02
17	0503033404	CIVEMASA BADGE		02
18	0503034004	ALUMINUM IDENTIFICATION LABEL		01
19	0503010001	3.2 X 5.5 RIVET		04
20	0503031428	READ MANUAL DECAL		01
21	0511042712	DRAWBAR ASSY	4	01
22	0521042072	FRAME ASSY	5	01
23	0503060094	WHEEL AND TIRE ASSY	6	02
24	0521061561	FRONT STABILIZER BAR		01
25	0521061558	REAR STABILIZER BAR		01
26	0501053527	HEADER WITH EAR HITCH	7	01
27	0511058459	HYDRAULIC CYLINDER	8	01
28	0521067573	1000 GNFM TRANSPORT BAR		01
29	0521064088	LOCK AXLE		01
30	0521067644	JUNCTION SHAFT		01
31	0503013150	1300 X 3/8 CHAIN		01

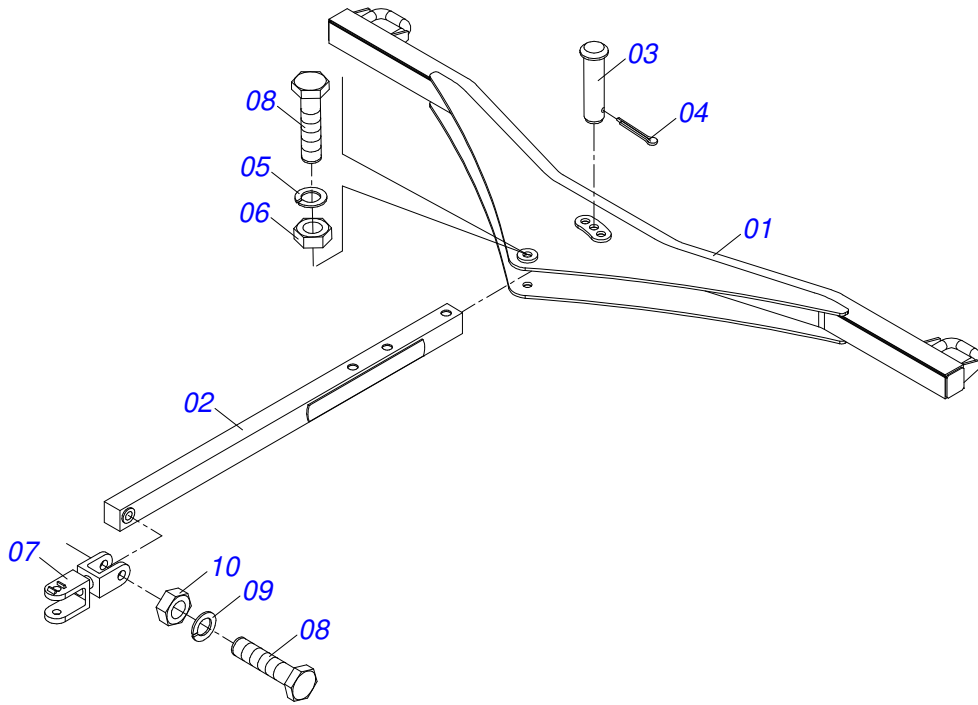
Item	Code	Description	See page	QT
32	0501063963	FRONT SCRAPER		23
33	0501063962	REAR SCRAPER		23
34	0531019497	1.5" X 9.2" ARTICULATED AXIS		01
35	0521064090	COUPLING SHAFT		01
36	0501011301	1.1/2 UNC 6FPP 2.5/16 NUT		01
37	0531019540	FLAT WASHER		01
38	0501040257	3/4 X 1200 HOSE HOLDER A	9	01
39	0501051050	HOSE ASSY		01
39A	0501080362	3/8" X 177" TC-TM HOSE		02
40	0501047895	ROD STOP		06
41	0501047885	ROD STOP		04
42	0501011432	1-1/2" AND 1-5/8 GANG BOLT WRENCH		02
43	0501068273	5/8" WRENCH		01
44	0511018451	5/8" X 3/4" X 1" UNIVERSAL		01
45	0501047880	ASSY AXLE JUNCTION		01
45A	0521010453	AXI SHAFT		01
45B	0503031035	HAIR PIN		01
46	0503011082	C1/2" X 1.3/4" SCREW		92
47	0511017302	FLAT WASHER		92
48	0503010019	1/2" SPRING WASHER		92
49	0503010060	1/2" NUT		92
50	0531019540	FLAT WASHER		01
51	0501011301	1.1/2 UNC 6FPP 2.5/16 NUT		01
52	0502040147	REEL		02
53	0501068992	0.9" X 4.5" COUPLING SHAFT		01
54	0503030012	HAIR PIN		02
55	0521013077	1.2" X 5.7" PIVOT SHAFT		02
56	0503010010	1/4" X 2.1/2" COTTERPIN		01
57	0503010523	1/4" X 2" COTTERPIN		02
58	0511067081	LOCK PIN		02
59	0501053834	MALE QUICK COUPLER WITH CAP - 1/2 NPT	10	02
60	0503010002	1800 GREASE FITTING		05
61	0521010628	25,40 X 105 COUPLING SHAFT		02
62	0503010571	1/4" X 1.1/2 COTTERPIN		01
63	0501010334	1" X 7" BOLT		01
64	0503010012	1" SPRING WASHER		01
65	0501010059	1.5/8 NUT		01
66	0909096136	GANG DISC ASSY	11	



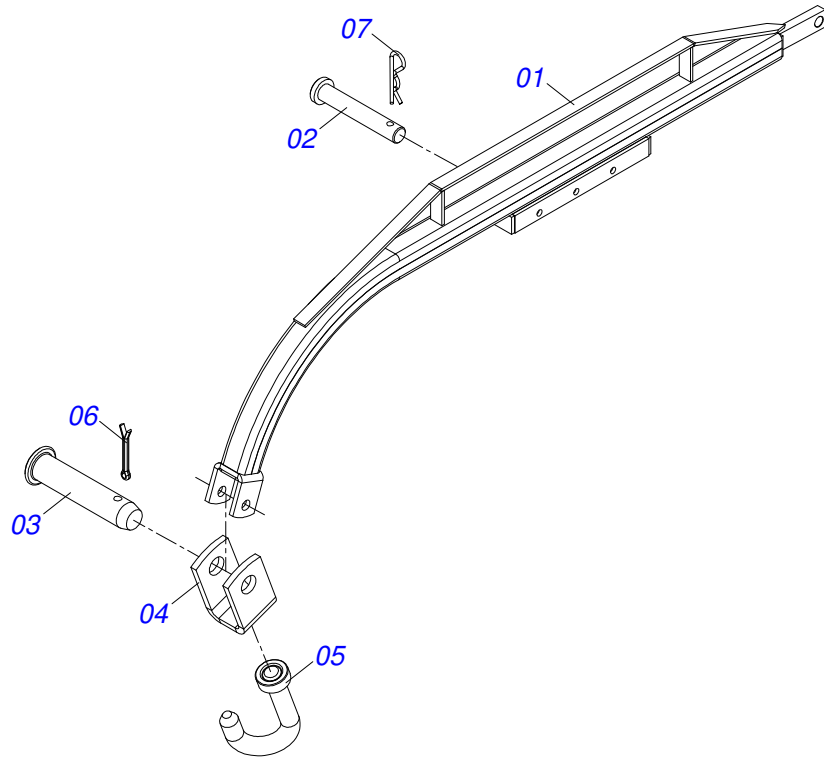
Item	Code	Description	See page	QT
01	0521061622	WHEEL SUPPORT		01
02	0502020591	PROTECCION COVER		01
03	0503010002	1800 GREASE FITTING		01
04	0503030009	1" CASTLE NUT		01
05	0501016545	FLAT WASHER		01
06	0503010018	5/32 X 1-1/2 COTTERPIN		01
07	0503011444	SPRING WASHER		04
08	0503010358	5/16" X 5/8" BOLT		04
09	0501051142	CARRYING WHEEL HUB	3	01



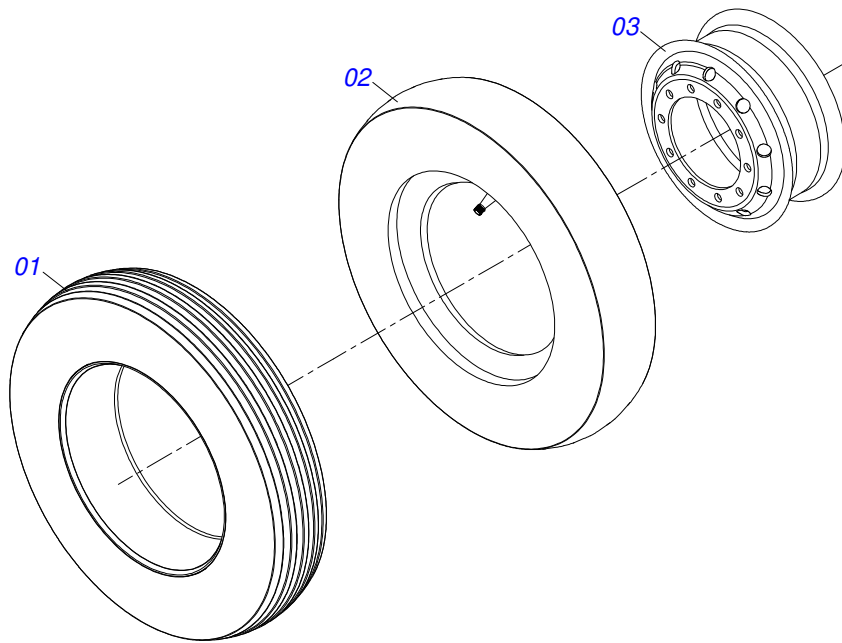
Item	Code	Description	See page	QT
01	0501110728	WHEEL HUB		01
01A	0502011121	CARRYING WHEEL HUB		01
01B	0501010127	9/16" X 1-7/8" LUG BOLT		06
01C	0503010035	9/16" CONIC NUT		06
02	0503010037	30207 ROLLER BEARING		01
03	0503010006	32210 ROLLER BEARING		01
04	0503012928	SEAL		01



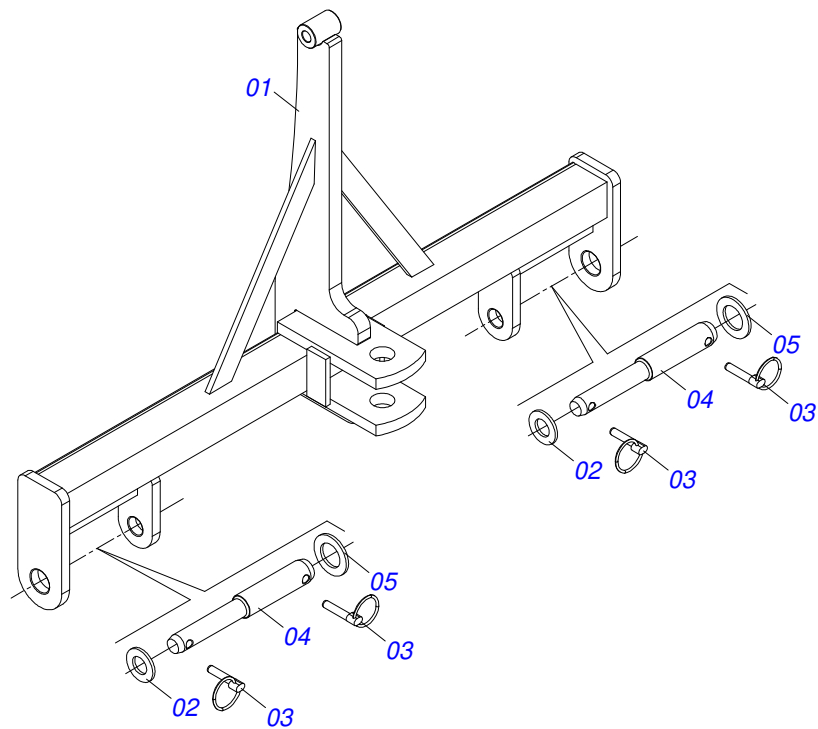
Item	Code	Description	See page	QT
01	0511064555	OFFSET BAR		01
02	0501060188	DRAWBAR ASSY		01
03	0521010585	0.9" X 5.9" COUPLING SHAFT		01
04	0503010523	1/4" X 2" COTTERPIN		02
05	0503011438	SPRING WASHER		02
06	0501010059	1.5/8 NUT		02
07	0521061775	TRACTOR HITCH		01
08	0501010060	1" X 6-1/2" BOLT		02



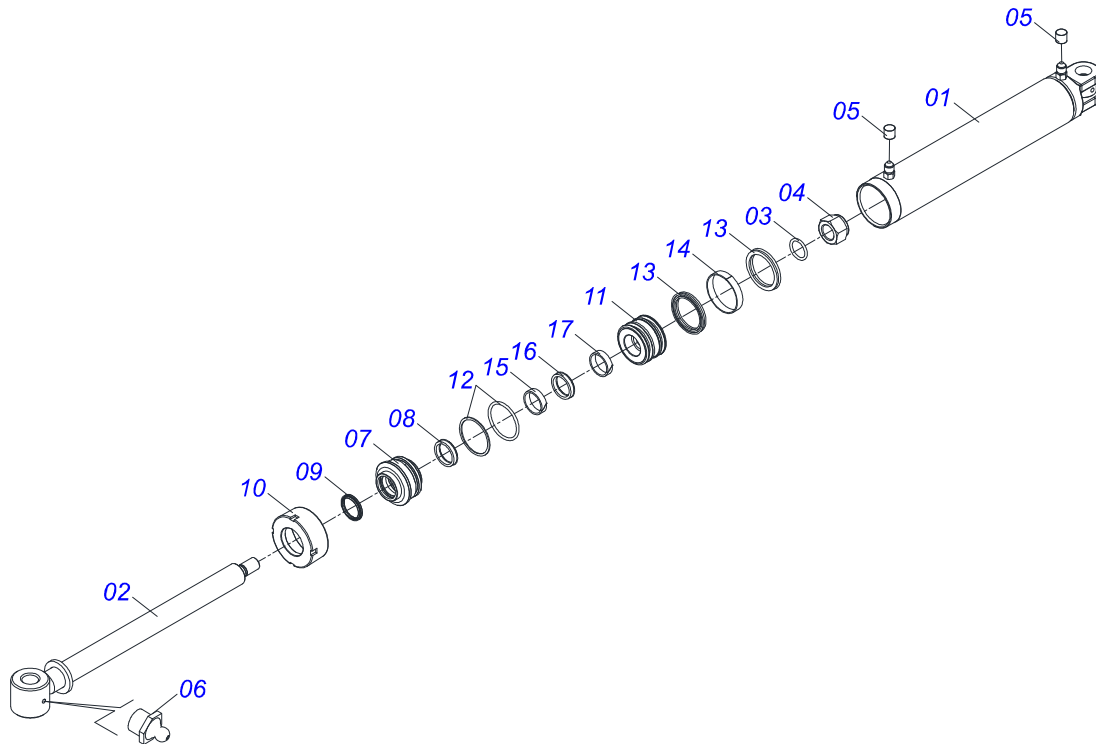
Item	Code	Description	See page	QT
01	0501062595	FRAME GAT 800		01
02	0501011388	COUPLING SHAFT		01
03	0521010579	COUPLING SHAFT		01
04	0511016686	U HOOK		01
05	0501067537	25,4 X 100 HOOK		01
06	0503010018	5/32 X 1-1/2 COTTERPIN		01
07	0503030168	HAIR PIN		01



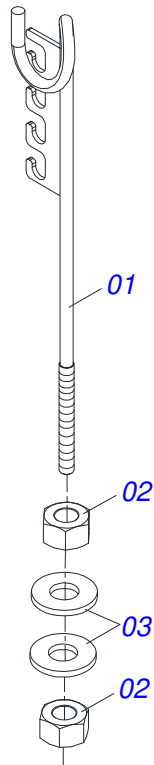
Item	Code	Description	See page	QT
01	0503010065	CANVAS TIRE		01
02	0503010068	6.00 X 16 INNER TIRE		01
03	0503010894	0.2"X0.6"X4.6"X6F0.6"X6" WHEEL		01



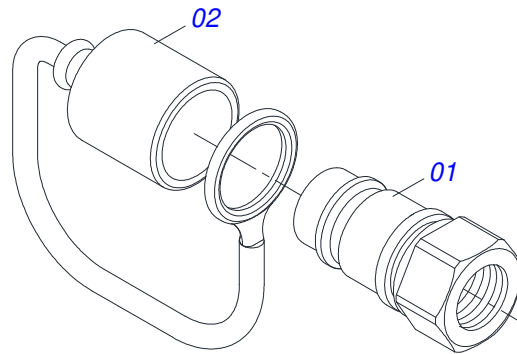
Item	Code	Description	See page	QT
01	0511062944	DRAWBAR		01
02	0501012916	FLAT WASHER 38,50 X 66 X 4,75 ZN		02
03	0503030430	7/16 X 2" PIN LOCK		04
04	0541015542	1.1/8" HITCH AXLE		02
05	0511017480	FLAT WASHER		02



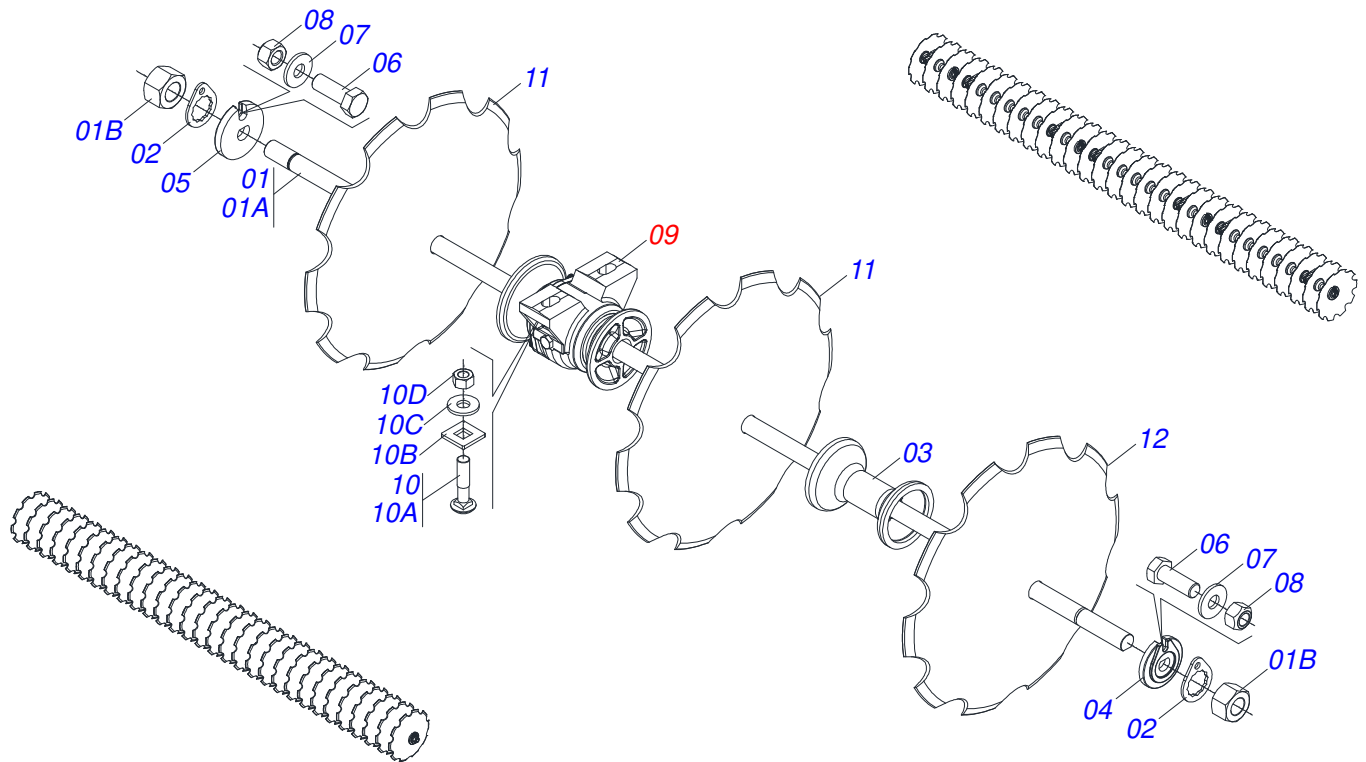
Item	Code	Description	See page	QT
01	0521061064	85,72 X 510 CYLINDER CASE		01
02	0521067533	50,80 X 697 EXTENSOR		01
03	0503010042	2-214 N 3006-9B O'RING		01
04	0503010063	1" SELF-ALIGNING NUT		01
05	0503030385	CYLINDER PLUG N-002		02
06	0503010002	1800 GREASE FITTING		02
07	0571019710	1.7" X 3.4" PISTON		01
08	0503017935	RING		01
09	0503018144	RING		01
10	0581013227	85,72 MOVEEL COVER		01
11	0581013228	50,80 X 85,72 SUPPORT RINGS		01
12	0503017940	8-337 BACK-UP RING		02
13	0503017939	2-337 N 3006-9B O' RING		02
14	0503010039	D-2000 SCRAPER RING		01
15	0503018026	1870-2000-375 B GASKET		01
16	0503018025	RING GUIDE		01
17	0503018024	RING BS		01



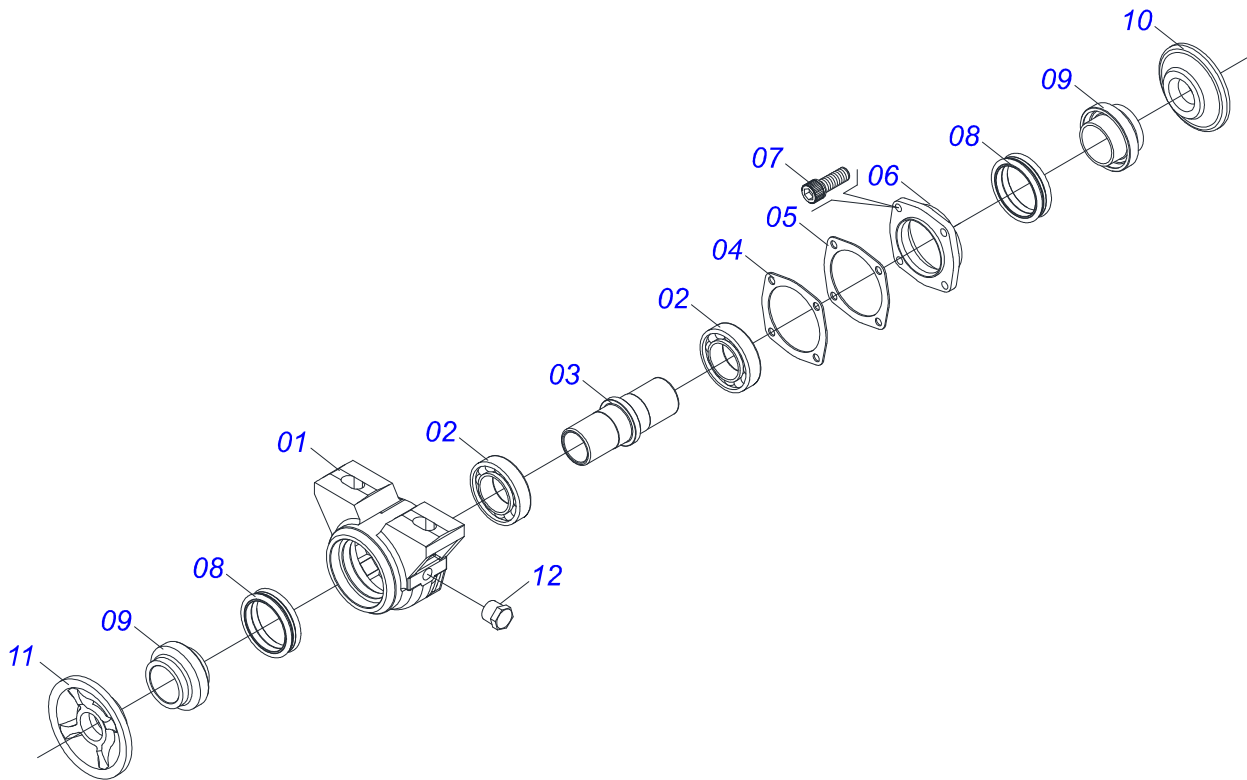
Item	Code	Description	See page	QT
01	0511067334	HOSE SOPPORT ASSY		01
02	0503010014	3/4" NUT		02
03	0501010322	FLAT WASHER		02



Item	Code	Description	See page	QT
01	0503011627	MALE QUICK COUPLER AGR 1/2 NPT		01
02	0503011882	MALE QUICK COUPLER CAP		01



Item	Code	Description	See page	QT
01	0501059898	1.1/2 X 2880 AXLE ASSY		04
01A	0501010110	1.1/2" NUT		02
01B	0561016111	1.1/2 X 2880 AXLE		01
02	0501018592	1.5/8" NUT LOCK		08
03	0502010627	SPACER		44
04	0502010871	1-1/2" EXTERNAL AXLE WASHER		04
05	0502010872	1-1/2" INNER AXLE WASHER		04
06	0503011267	BOLT 5/8 UNC X 1.1/2 C S G.5 ZN		08
07	0501012140	FLAT WASHER		08
08	0503010013	5/8" NUT		08
09	0501047055	BEARING	12	12
10	0501058802	5/8 UNC X 2.3/4 BOLT ASSY		24
10A	0503015154	5/8" X 2.3/4" BOLT		01
10B	0501010947	5/8 NUT LOCK		01
10C	0501012140	FLAT WASHER		01
10D	0503010013	5/8" NUT		02
11	0602030419	24" X 4,75" NOTCHED DISC BLADE		58
12	0602029396	22X4,75 NOTCHED DISC BLADE		02



Item	Code	Description	See page	QT
01	0502010540	HOUSING DM		01
02	0503010006	32210 ROLLER BEARING		02
03	0502040061	AXLE		01
04	0503030013	4.4" X 3.5" X 0.004" JOINT		03
05	0503030684	4.4" X 3.5" X 0.004" JOINT		02
06	0502020424	HOUSING CAP		01
07	0503010134	3/8" X 1" BOLT		04
08	0503030026	SEAL LP JB-253		02
09	0502010541	SEAL RETAINER		02
10	0502010604	OUTER FLANGE		01
11	0502010605	INNER FLANGE		01
12	0503010856	OIL PLUG		02



civemasa

Technical Publications | Elaboration and Revision

LORENA ROCHA ALVES

www.civemasa.com.br

