

SUBSOILER PLOUGH

STAC L 450 - 17H

Code: 0501093138
Series: S-0414
Revision: 00
Revision Date: SETEMBRO/2021

PARTS CATALOGUE


CIVEMASA

PRODUCTS

Code	Description
0120370250	STAC L 450 17H DC RD S-0414

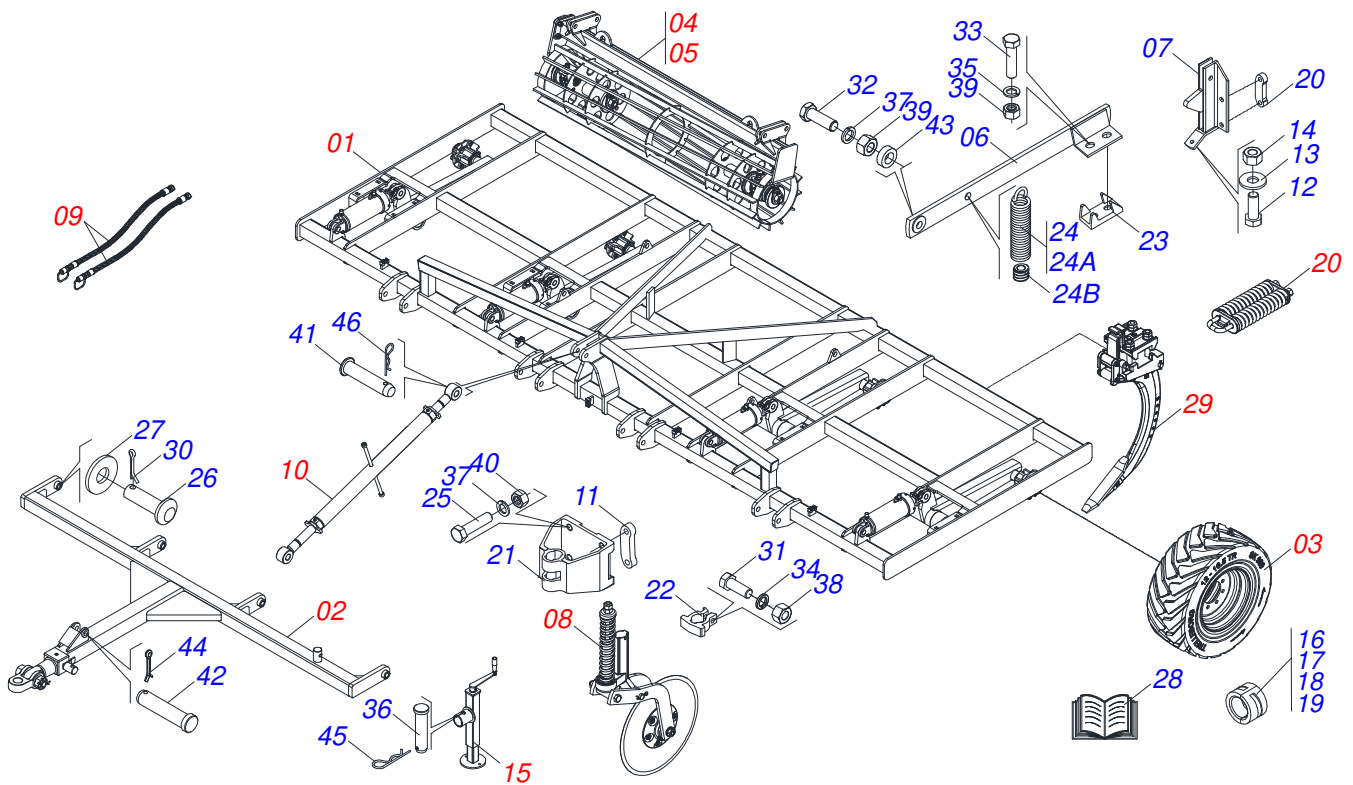
ATTENTION: IMPORTANT

Civemasa reserves the right to improve and / or modify the technical features of its products, without obligation to do the same with those products already sold and without prior knowledge of the dealer or the consumer.



INDEX

0909096040	ASSY FRAME	1
0511049112	ASSY FRAME - 17H	2
0501051007	RIGHT CARRYING-WHEELS	3
0501051008	LEFT CARRYING-WHEELS	4
0501051142	CARRYING WHEEL HUB	5
0501110563	LEFT PIVOT BEARING WITH SLEEVE	6
0501110568	RIGHT PIVOT BEARING WITH SLEEVE	7
0521045631	HYDRAULIC CYLINDER	8
0521045632	HYDRAULIC CYLINDER	9
0511047074	DRAWBAR ASSY	10
0503062010	750 X 16-12L ASSY WHEEL AND TIRE	11
0501055243	CAGE ROLLER ASSEMBLY	12
0501055244	CAGE ROLLER ASSEMBLY	13
0501046922	7.5" X 1-1/4" OIL BATH BEARING	14
0501056926	SUPPORT WITH BLADE DISC	15
0909096041	HYDRAULIC CIRCUIT	16
0501054088	ESTABILIZADOR CABEÇALHO COMPLETO	17
0511048088	DRAWBAR JACK	18
0501052882	SHANKS SYSTEM WITHOUT SPRING	19

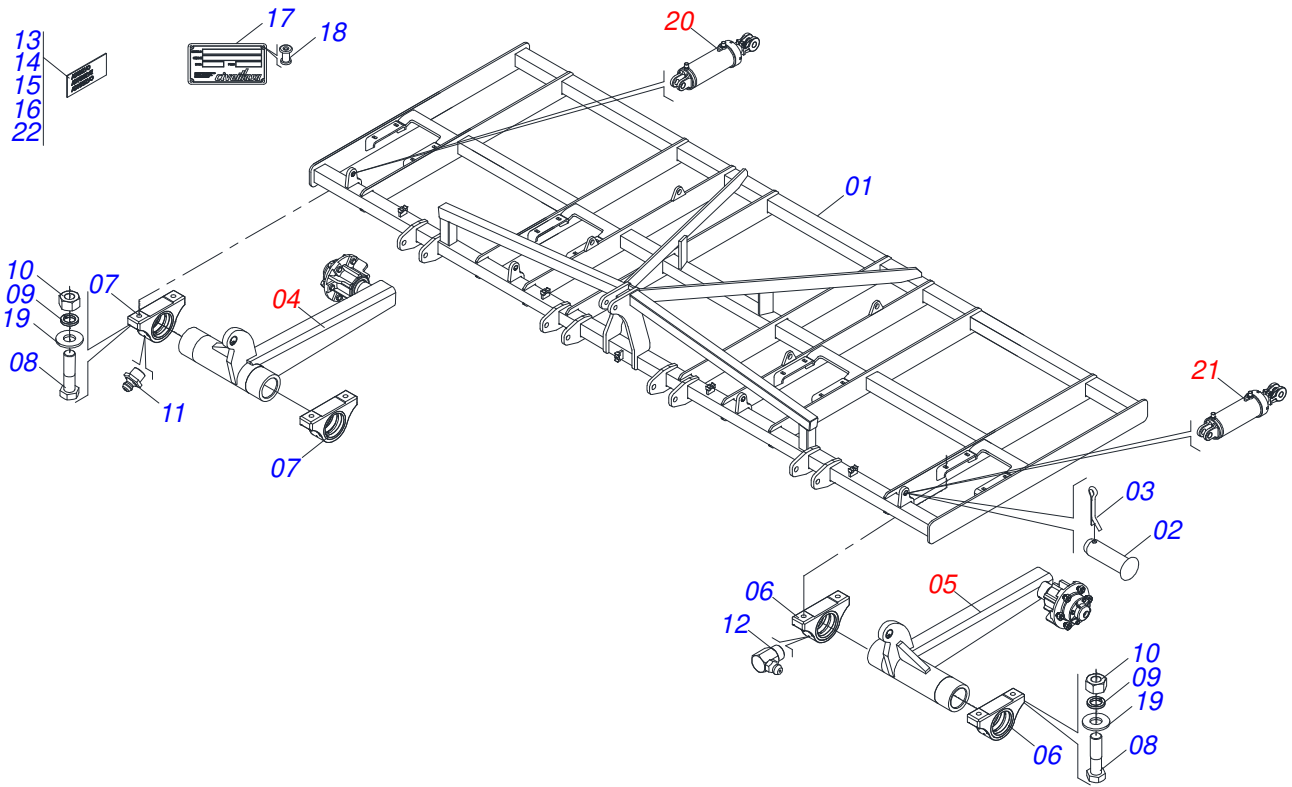


Item	Code	Description	See page	QT
01	0511049112	ASSY FRAME - 17H	2	01
02	0511047074	DRAWBAR ASSY	10	01
03	0503062010	750 X 16-12L ASSY WHEEL AND TIRE	11	02
04	0501055243	CAGE ROLLER ASSEMBLY	12	02
05	0501055244	CAGE ROLLER ASSEMBLY	13	02
06	0511065378	BREAK ROLLER ARM		08
07	0501068437	BREAK ROLLER SUPPORT FIXATION		08
08	0501056926	SUPPORT WITH BLADE DISC	15	15
09	0909096041	HYDRAULIC CIRCUIT	16	01
10	0501054088	ESTABILIZADOR CABEÇALHO COMPLETO	17	01
11	0571011609	FIXER PLATE CUTTING DISC		50
12	0503011264	1/2" X 2-1/2" BOLT		08
13	0511017302	FLAT WASHER		08
14	0503010060	1/2" NUT		08
15	0511048088	DRAWBAR JACK	18	01
16	0501047895	ROD STOP		01
17	0501047885	ROD STOP		01
18	0501047886	ROD STOP		01
19	0501047887	ROD STOP		01
20	0501052885	3/4 UNC X 450 FASTENER ASSY		17
21	0502012026	BLADE DISC FIXER SUPPORT		17
22	0502012024	FIXER SUPPORT BUSHING		17
23	0502011170	FIXER		08
24	0501053355	HITCH TRACTION SPRING		08
24A	0503030806	2.3" X 8" X 0.3" TRACTION SPRING		01
24B	0502011060	SUPPORT SPRING		01
25	0503014744	3/4 UNF X 7.1/2 C S G.7 ZN BOLT		100
26	0551018288	COUPLING SHAFT		04
27	0551018300	FLAT WASHER		04
28	0511031661	BAG WITH INSTRUCTION MANUAL		01
29	0501052882	SHANKS SYSTEM WITHOUT SPRING	19	17

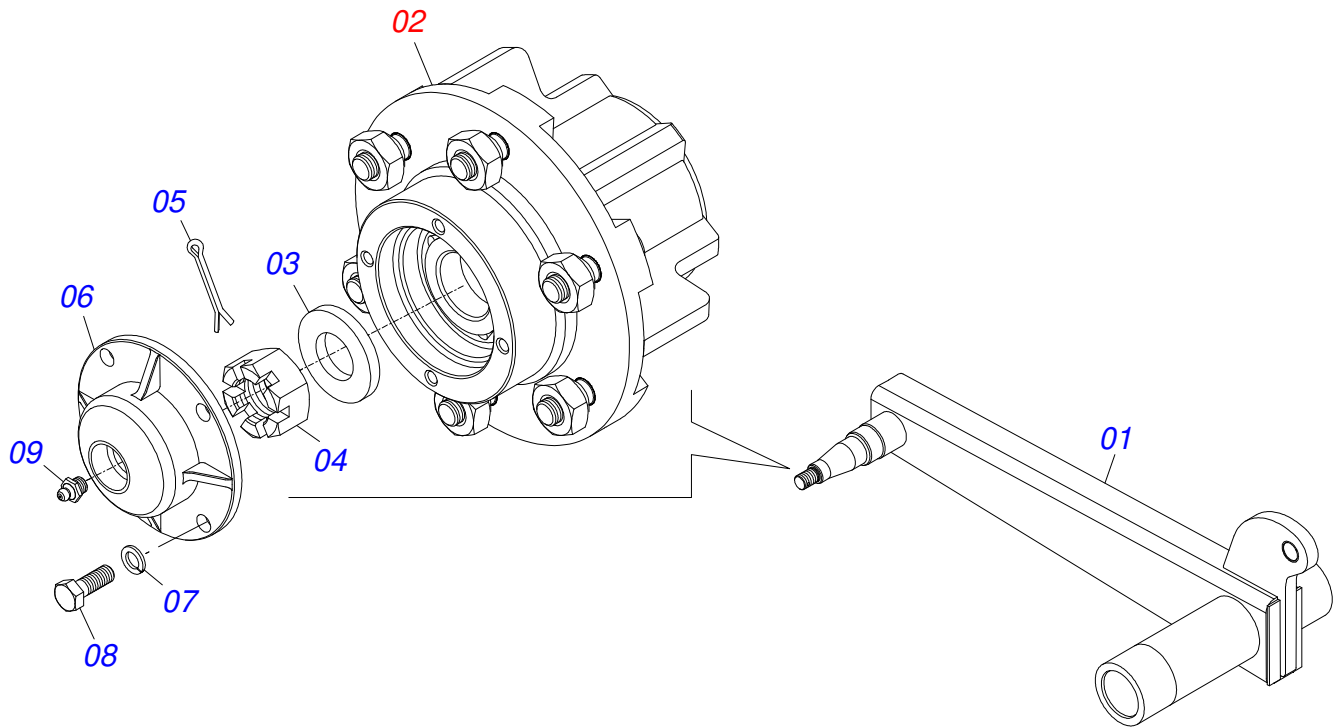
ASSY FRAME

0909096040

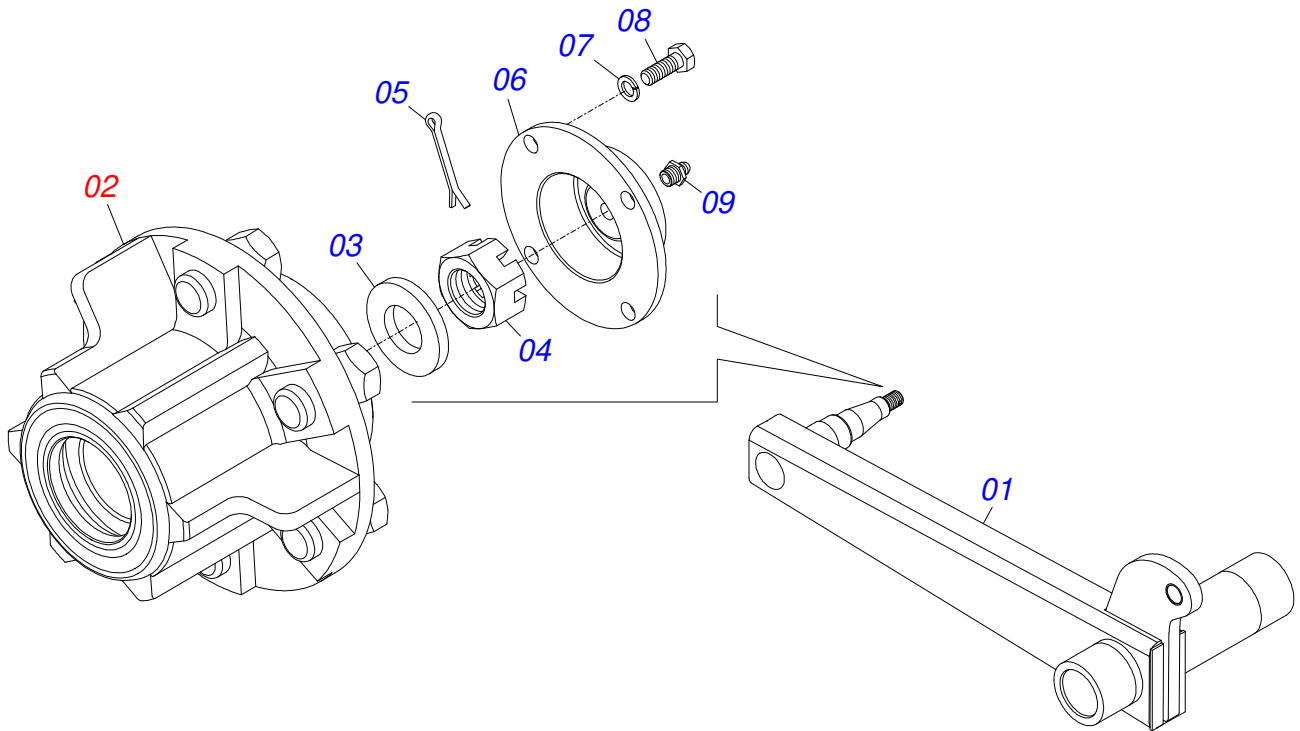
Item	Code	Description	See page	QT
30	0503010534	3/8 X 2-1/2 COTTERPIN		21
31	0503013184	5/8" X 2-3/4" BOLT G.8		17
32	0501010827	3/4" X 2-3/4" BOLT		08
33	0501010216	3/4" X 4-1/2" BOLT		16
34	0501011299	FLAT WASHER		17
35	0503010023	3/4" SPRING WASHER		05
36	0561014251	COUPLING SHAFT		01
37	0503010023	3/4" SPRING WASHER		124
38	0503010129	5/8" NUT		17
39	0503010014	3/4" NUT		24
40	0503010335	3/4"NUT		100
41	0521012536	COUPLING SHAFT		01
42	0531017716	AXLE TIGHTENER		01
43	0511018178	BUSHING		08
44	0503010523	1/4" X 2" COTTERPIN		02
45	0503030012	HAIR PIN		01
46	0503030168	HAIR PIN		01



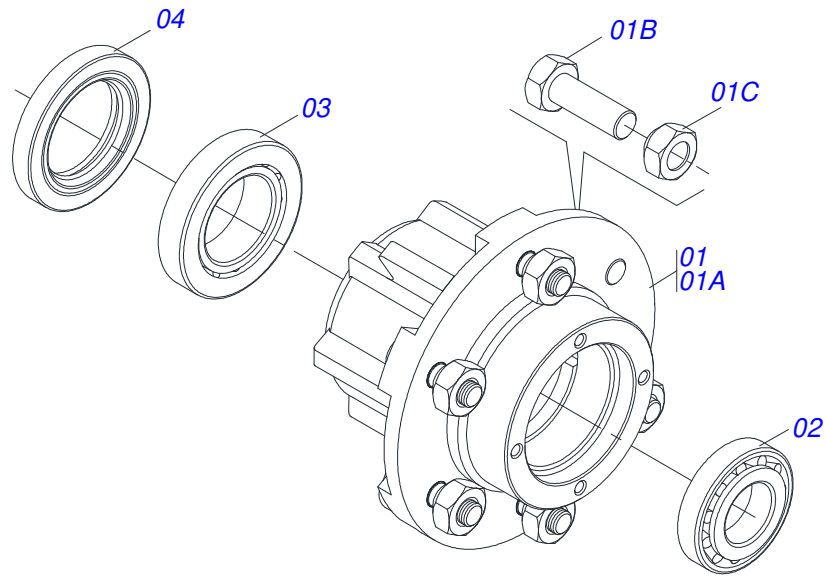
Item	Code	Description	See page	QT
01	0521062021	FRAME - 17H		01
02	0521012538	1.2" X 3.5" COUPLING SHAFT		08
03	0503010523	1/4" X 2" COTTERPIN		08
04	0501051007	RIGHT CARRYING-WHEELS	3	02
05	0501051008	LEFT CARRYING-WHEELS	4	02
06	0501110563	LEFT PIVOT BEARING WITH SLEEVE	6	04
07	0501110568	RIGHT PIVOT BEARING WITH SLEEVE	7	04
08	0503010901	3/4UNC 3.1/2 BOLT		16
09	0503011442	3/4" SPRING WASHER		16
10	0503010014	3/4" NUT		16
11	0503010002	1800 GREASE FITTING		08
12	0503010004	1890 GREASE FITTING		04
13	0503031428	READ MANUAL DECAL		01
14	0503031827	LUBRICATE AND RETIGHTEN DAILY DECAL		01
15	0503033300	BADGE		02
16	0503033246	ADHESIVE LABEL		02
17	0503034004	ALUMINUM IDENTIFICATION LABEL		01
18	0503010001	3.2 X 5.5 RIVET		04
19	0501010322	FLAT WASHER		16
20	0521045631	HYDRAULIC CYLINDER	8	02
21	0521045632	HYDRAULIC CYLINDER	9	02
22	0503031739	ADHESIVE LABEL		01



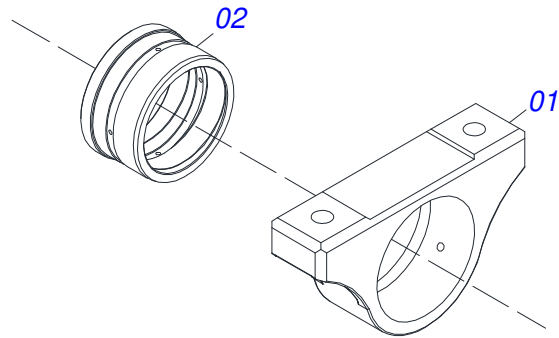
Item	Code	Description	See page	QT
01	0501068416	RIGHT CARRYING-WHEELS		01
02	0501051142	CARRYING WHEEL HUB	5	01
03	0501016545	FLAT WASHER		01
04	0503030009	1" CASTLE NUT		01
05	0503010018	5/32 X 1-1/2 COTTERPIN		01
06	0502020591	PROTECCION COVER		01
07	0503011444	SPRING WASHER		04
08	0503010358	5/16" X 5/8" BOLT		04
09	0503010002	1800 GREASE FITTING		01



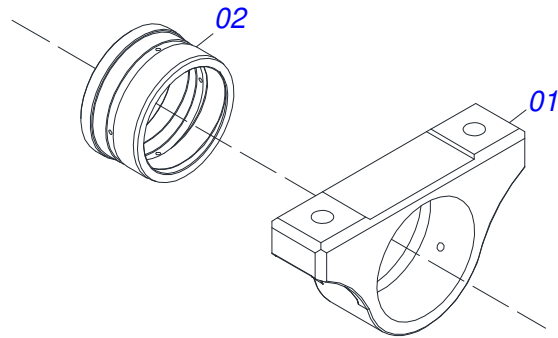
Item	Code	Description	See page	QT
01	0501068417	LEFT CARRYING-WHEELS		01
02	0501051142	CARRYING WHEEL HUB	5	01
03	0501016545	FLAT WASHER		01
04	0503030009	1" CASTLE NUT		01
05	0503010018	5/32 X 1-1/2 COTTERPIN		01
06	0502020591	PROTECCION COVER		01
07	0503011444	SPRING WASHER		04
08	0503010358	5/16" X 5/8" BOLT		04
09	0503010002	1800 GREASE FITTING		01



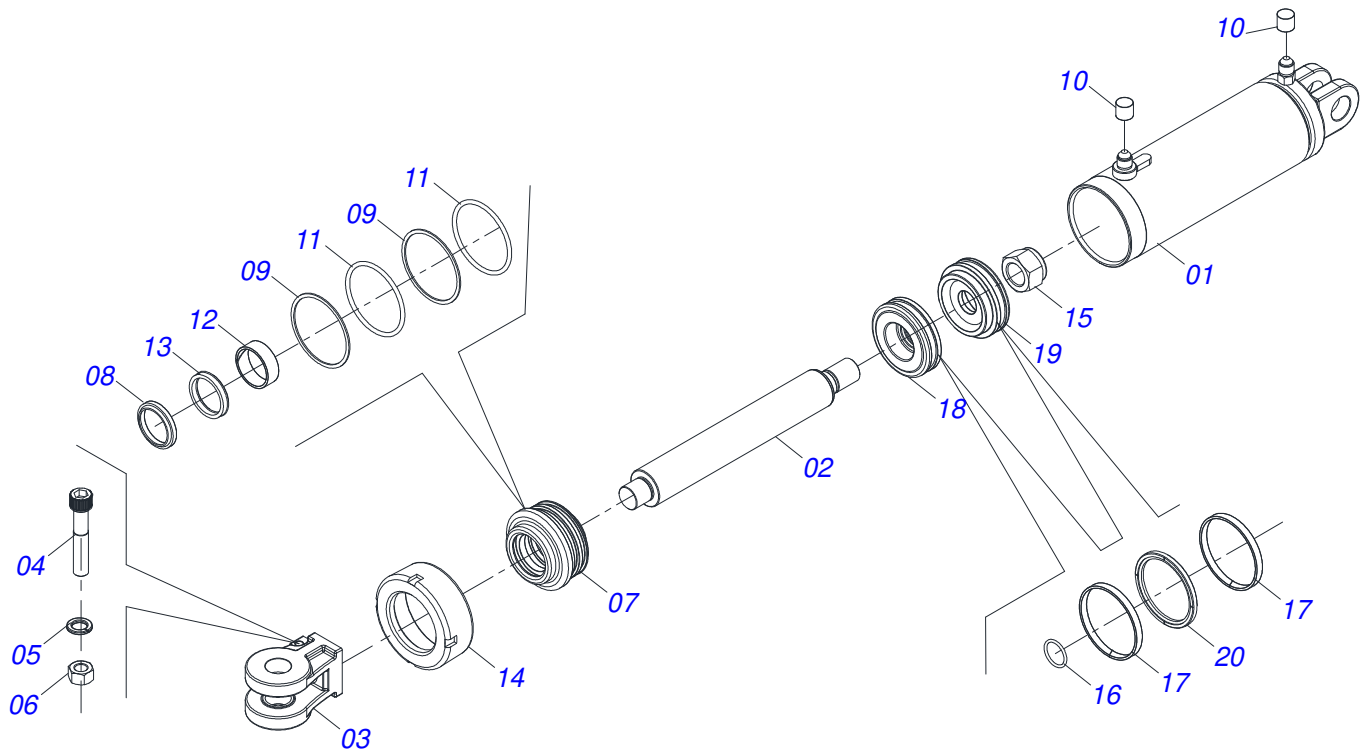
Item	Code	Description	See page	QT
01	0501110728	WHEEL HUB		01
01A	0502011121	CARRYING WHEEL HUB		01
01B	0501010127	9/16" X 1-7/8" LUG BOLT		06
01C	0503010035	9/16" CONIC NUT		06
02	0503010037	30207 ROLLER BEARING		01
03	0503010006	32210 ROLLER BEARING		01
04	0503012928	SEAL		01



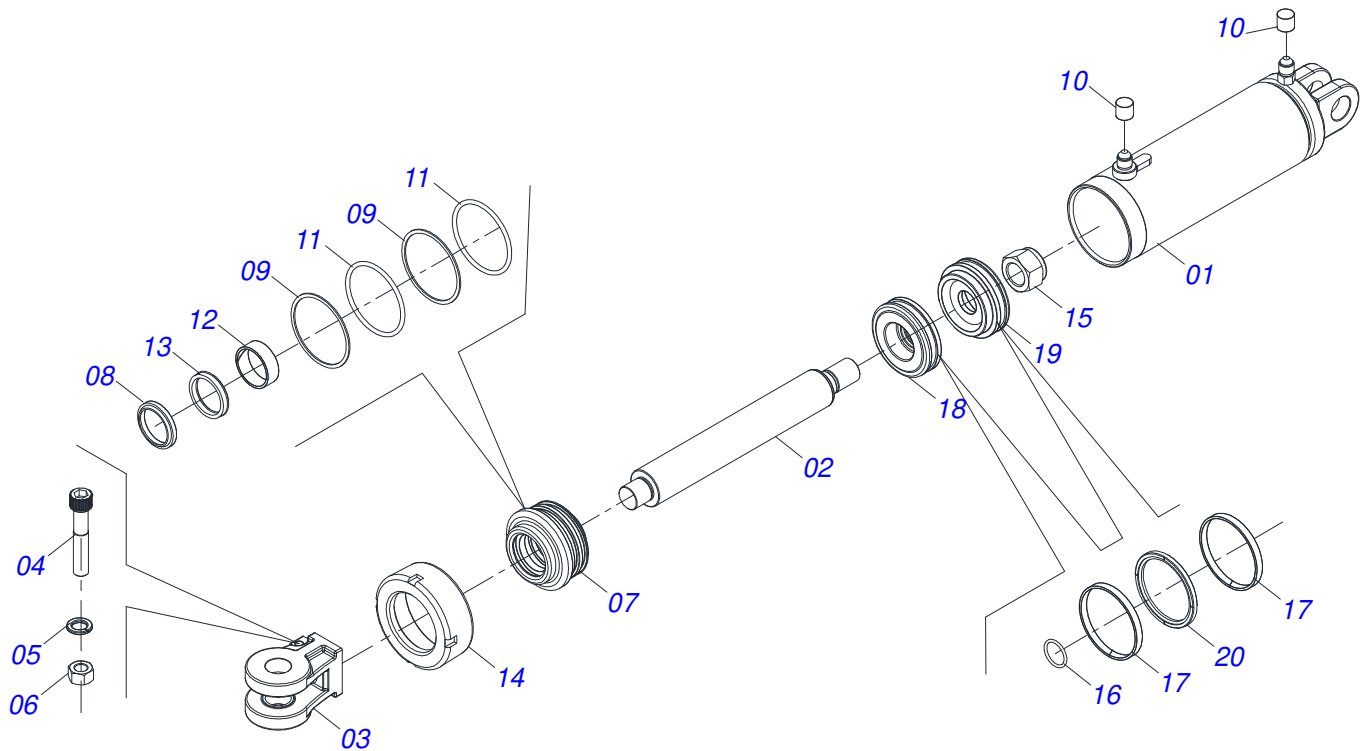
Item	Code	Description	See page	QT
01	0502012273	PIVOT BEARING		01
02	0551018339	SLEEVE NYLON 114,40 X 140 X 76		01



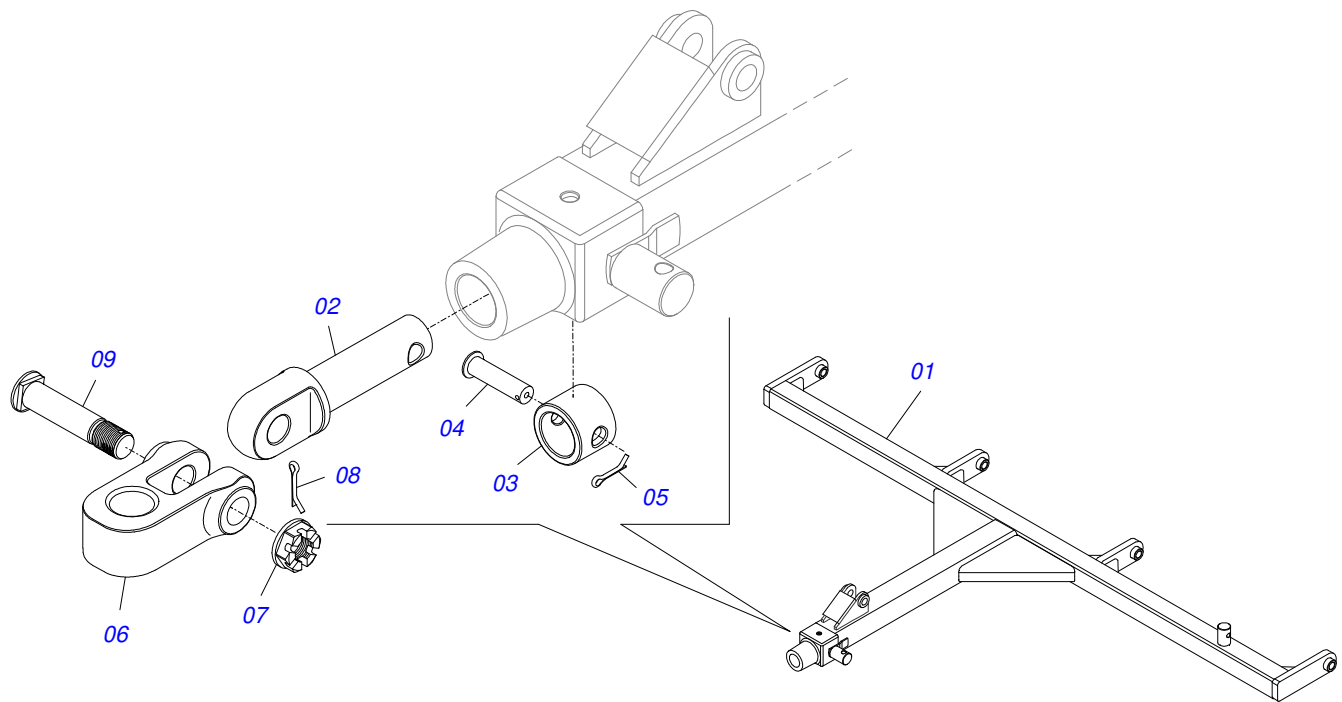
Item	Code	Description	See page	QT
01	0502012509	RIGHT PIVOT BEARING		01
02	0551018339	SLEEVE NYLON 114,40 X 140 X 76		01



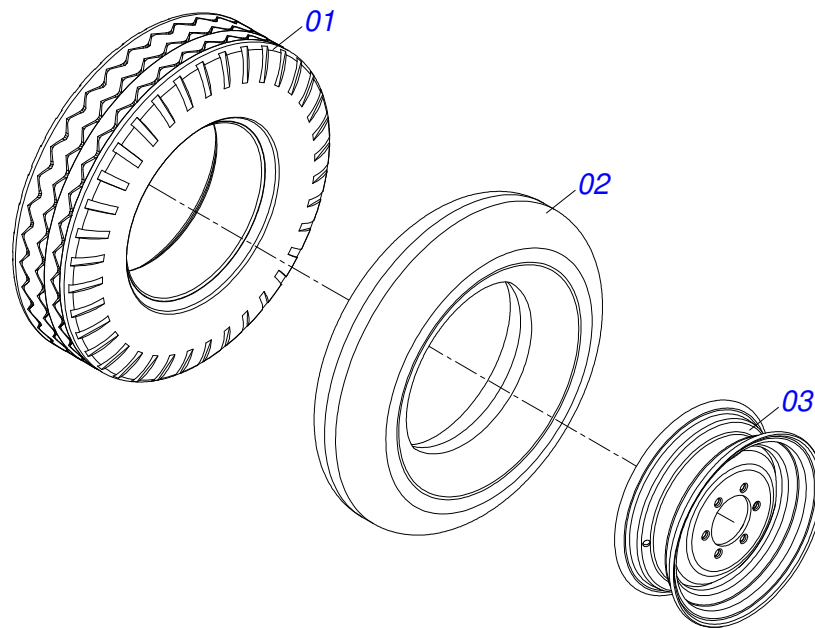
Item	Code	Description	See page	QT
01	0521066160	CYLINDER CASE		01
02	0571019558	HYDRAULIC CYLINDER TURNBUCKLE		01
03	0502040747	32.54 CLEVIS CLAMP		01
04	0503011094	3/8" X 2" BOLT		01
05	0503011443	3/8" SPRING WASHER		01
06	0503010026	3/8" NUT		01
07	0502011220	2" X 4.5" RING SUPPORT		01
08	0503015636	SCRAPER SEAL		01
09	0503011893	BACK-UP RING, 8-346		01
10	0503030385	CYLINDER PLUG N-002		02
11	0503011892	O' RING, 2-346 N 3006-9B		01
12	0503015635	U-CUP SEAL		01
13	0503015634	RING SLYDRING		01
14	0502011222	0.56" END CAP		01
15	0503010817	1.1/4" SELF LOCKING NUT		01
16	0503010345	2-218 N 3006-9B O'RING		01
17	0503017881	RING GUIDE		02
18	0581012603	PISTON 114.30 BP		01
19	0581012604	PISTON 114.30 BP		01
20	0503018652	SEAL		01



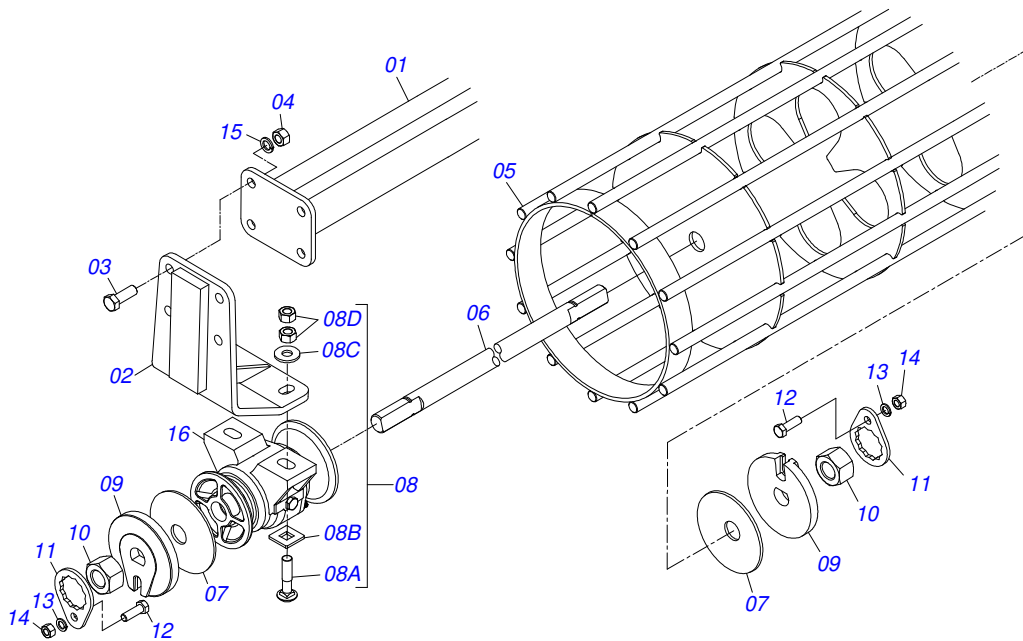
Item	Code	Description	See page	QT
01	0521066159	CYLINDER CASE	01	
02	0571019558	HYDRAULIC CYLINDER TURNBUCKLE	01	
03	0502040747	32.54 CLEVIS CLAMP	01	
04	0503011094	3/8" X 2" BOLT	01	
05	0503011443	3/8" SPRING WASHER	01	
06	0503010026	3/8" NUT	01	
07	0581010678	50,80 X 101 RING SUPPORT	01	
08	0503015636	SCRAPER SEAL	01	
09	0503011061	8-342 BACK-UP RING	02	
10	0503030385	CYLINDER PLUG N-002	02	
11	0503010338	2-342 N 3006-9B O'RING	02	
12	0503018025	RING GUIDE	01	
13	0503018026	1870-2000-375 B GASKET	01	
14	0502012822	101.60 END CAP	01	
15	0503010817	1.1/4" SELF LOCKING NUT	01	
16	0503010345	2-218 N 3006-9B O'RING	01	
17	0503017889	RING GUIDE	02	
18	0581012600	PISTON	01	
19	0581012599	PISTON	01	
20	0503018651	SEALING	01	



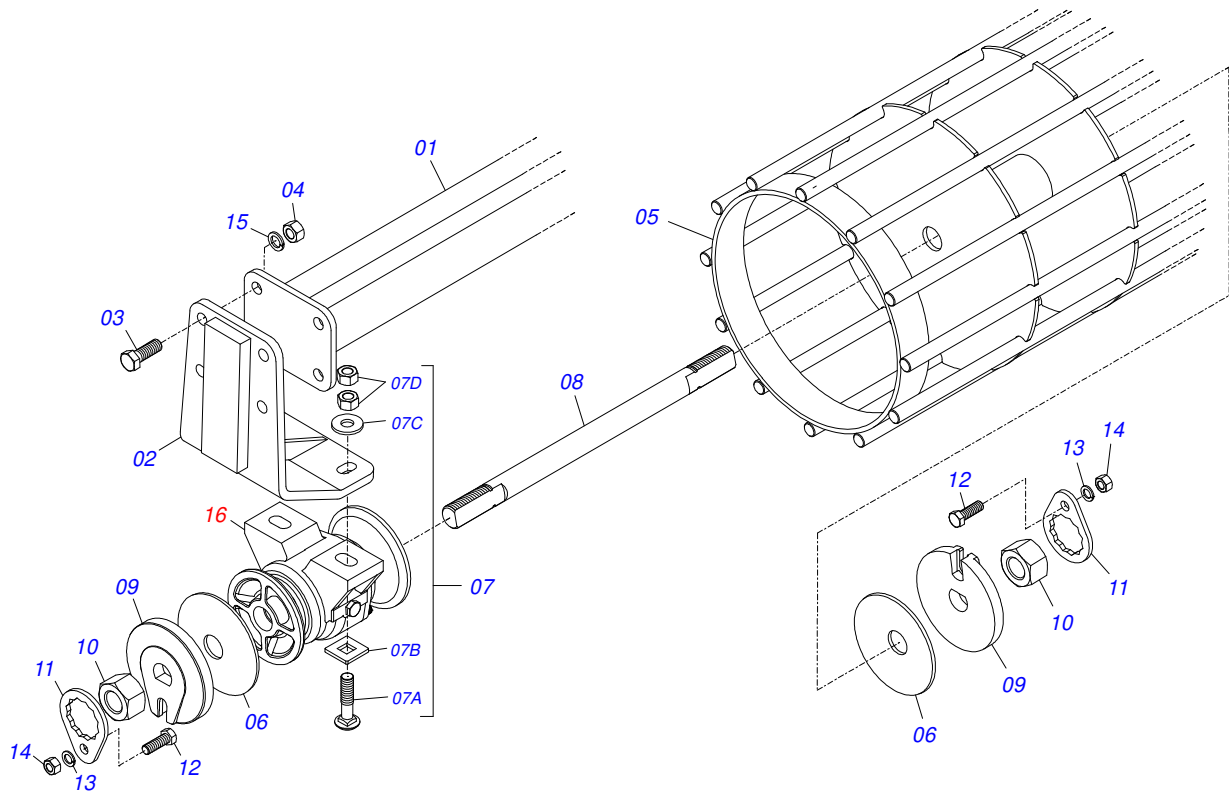
Item	Code	Description	See page	QT
01	0511069431	DRAWBAR		01
02	0502040727	COUPLING SHAFT		01
03	0502040327	ANEL TRAVA ENGATE		01
04	0511014902	COUPLING SHAFT		01
05	0503010571	1/4" X 1.1/2 COTTERPIN		01
06	1902040733	U COUPLING HOOK		01
07	0501011301	1.1/2 UNC 6FPP 2.5/16 NUT		01
08	0503010010	1/4" X 2.1/2" COTTERPIN		01
09	0521012545	COUPLING SHAFT		01



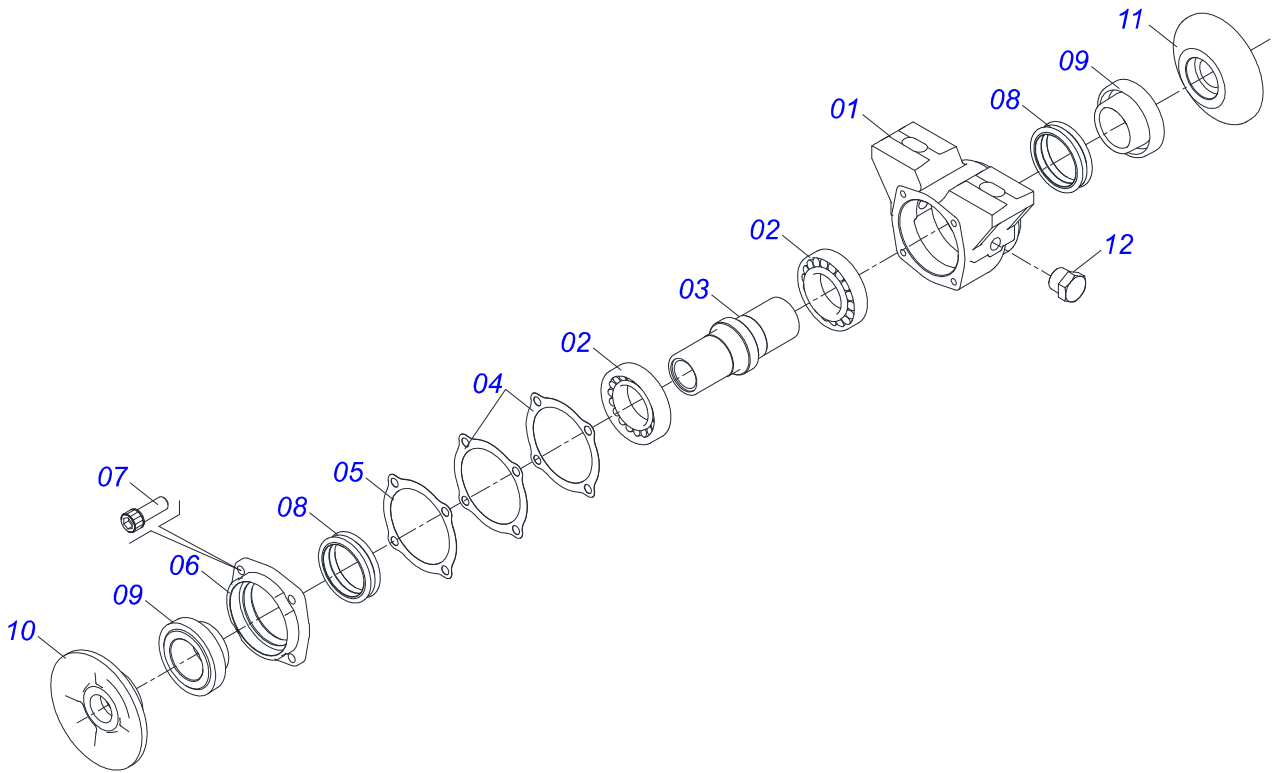
Item	Code	Description	See page	QT
01	0503012864	TYRE		01
02	0503010033	7.50 X 16 INNER TIRE		01
03	0521062708	WHEEL 5,50 X 16 X 118 X 6F 16,50 X 152,40		01



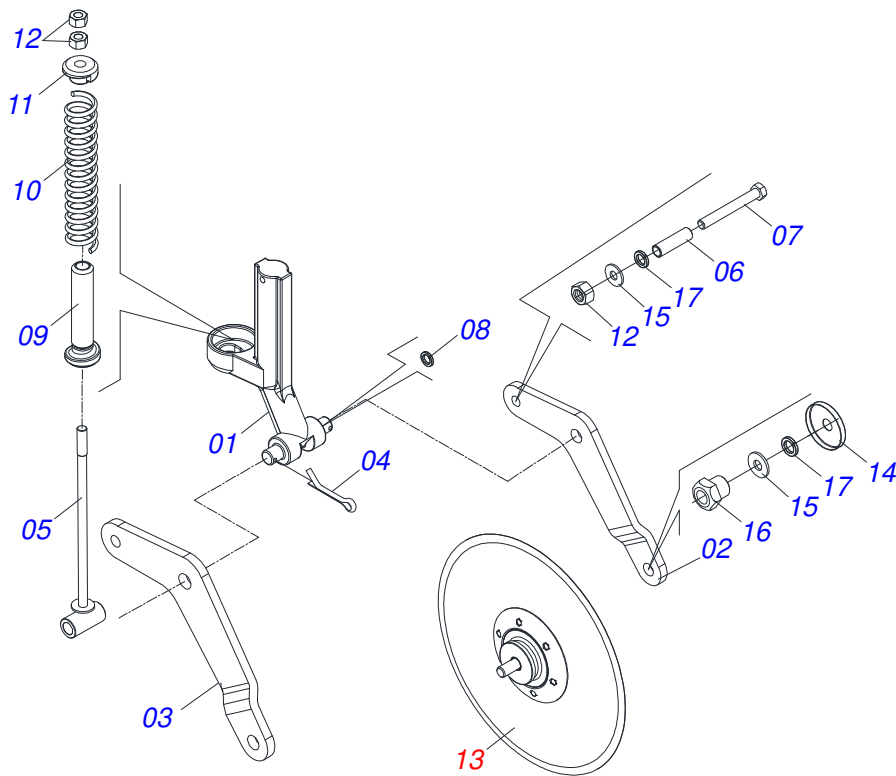
Item	Code	Description	See page	QT
01	0511065379	2129 BREAK ROLLER SUPPORT		01
02	0511069433	BREAK ROLLER BRACKET		01
03	0503010232	5/8" X 1.3/4" BOLT		04
04	0503010013	5/8" NUT		04
05	0511065382	2108 BREAK ROLLER		01
06	0501013310	1-1/4 X 2150 AXLE		01
07	0531018575	WASHER CONCAVE		02
08	0501058802	5/8 UNC X 2.3/4 BOLT ASSY		04
08A	0503015154	5/8" X 2.3/4" BOLT		01
08B	0501010947	5/8 NUT LOCK		01
08C	0503010013	5/8" NUT		02
08D	0501012140	FLAT WASHER		01
09	0502010835	1-1/4" EXTERNAL AXLE WASHER		02
10	0501010087	1.1/4" NUT		02
11	0501010455	1.1/4" NUT LOCK		02
12	0501010161	1/2" X 1.1/4" BOLT		02
13	0503011440	SPRING WASHER		02
14	0503010060	1/2" NUT		02
15	0503011445	SPRING WASHER		04
16	0501046922	7.5" X 1-1/4" OIL BATH BEARING	14	02



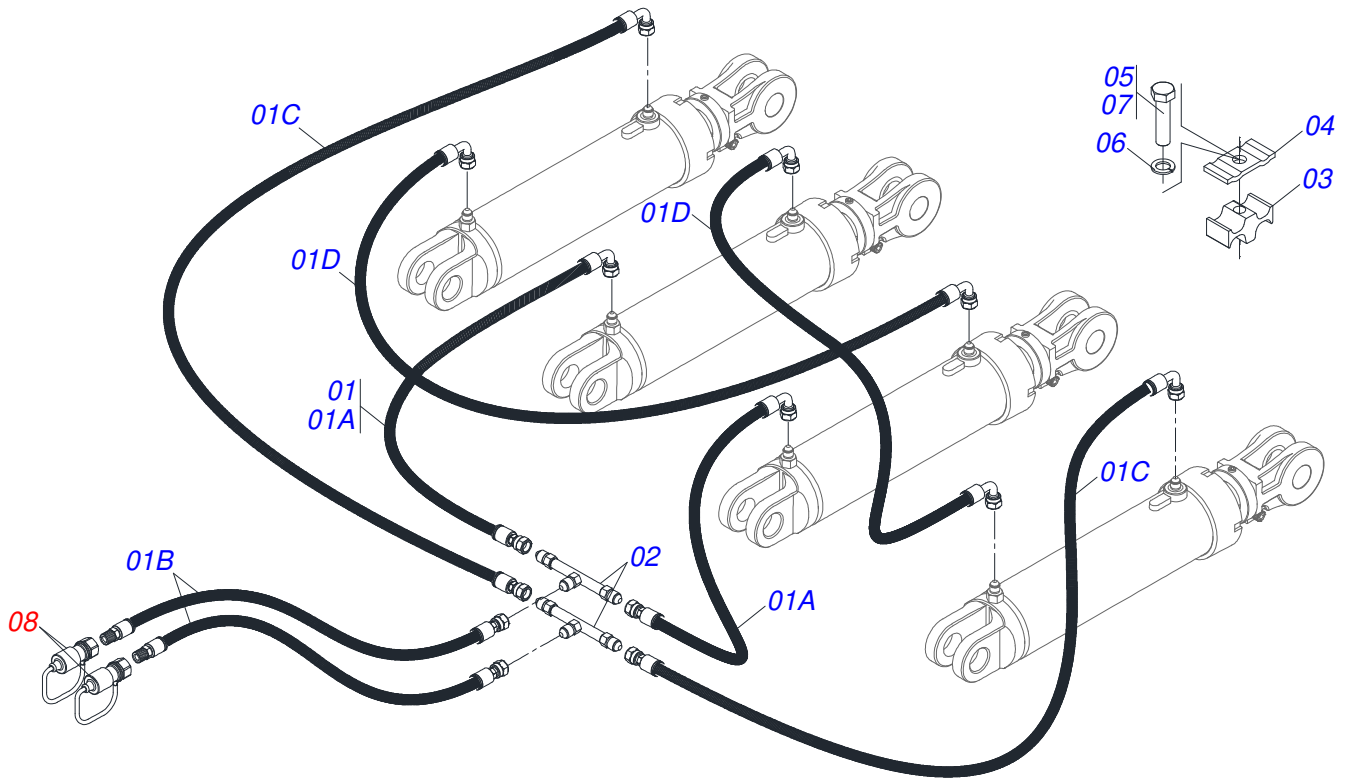
Item	Code	Description	See page	QT
01	0511065380	1329 BREAK ROLLER SUPPORT		01
02	0511069433	BREAK ROLLER BRACKET		01
03	0503010232	5/8" X 1.3/4" BOLT		04
04	0503010013	5/8" NUT		04
05	0511065383	BREAK ROLLER 1310		01
06	0531018575	WASHER CONCAVE		02
07	0501058802	5/8 UNC X 2.3/4 BOLT ASSY		04
07A	0503015154	5/8" X 2.3/4" BOLT		01
07B	0501010947	5/8 NUT LOCK		01
07C	0503010013	5/8" NUT		02
07D	0501012140	FLAT WASHER		01
08	0541011902	1.1/4 X 1355 AXLE		01
09	0502010835	1-1/4" EXTERNAL AXLE WASHER		02
10	0501010087	1.1/4" NUT		02
11	0501010455	1.1/4" NUT LOCK		02
12	0501010161	1/2" X 1.1/4" BOLT		02
13	0503011440	SPRING WASHER		02
14	0503010060	1/2" NUT		02
15	0503011445	SPRING WASHER		04
16	0501046922	7.5" X 1-1/4" OIL BATH BEARING	14	02



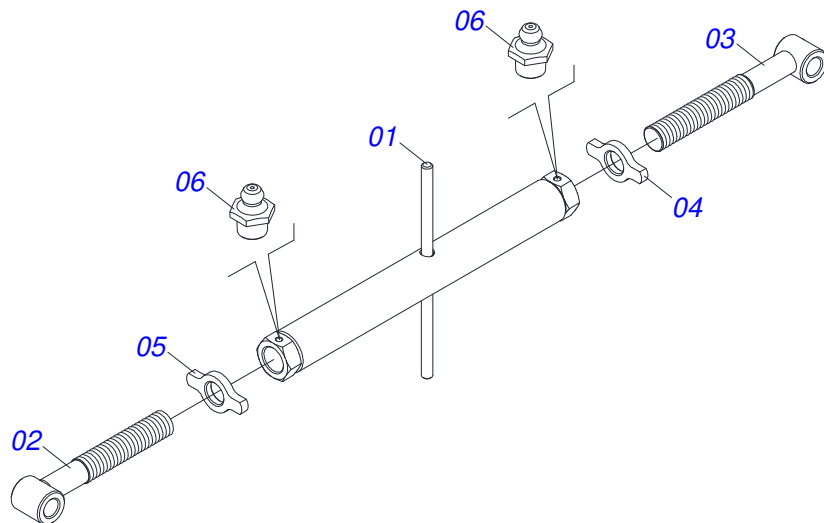
Item	Code	Description	See page	QT
01	0502010540	HOUSING DM		01
02	0503010111	30210 ROLLER BEARING		02
03	0502040218	AXLE		01
04	0503030013	4.4" X 3.5" X 0.004" JOINT		02
05	0503030684	4.4" X 3.5" X 0.004" JOINT		01
06	0502020424	HOUSING CAP		01
07	0503010134	3/8" X 1" BOLT		04
08	0503030026	SEAL LP JB-253		02
09	0502010541	SEAL RETAINER		02
10	0502010070	OUTER FLANGE		01
11	0502010071	INNER FLANGE		01
12	0503010856	OIL PLUG		01



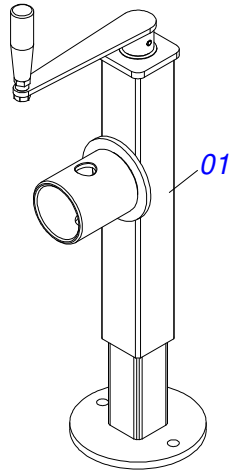
Item	Code	Description	See page	QT
01	0502012025	BLADE DISC SUPPORT		01
02	0541019877	RIGHT ARM OF THE BLADE DISC		01
03	0541019878	LEFT ARM OF THE BLADE DISC		01
04	0503010571	1/4" X 1.1/2 COTTERPIN		02
05	0511060915	ROD SPRING		01
06	0521010452	SLEEVE		01
07	0503011198	C3/4" X 6" SCREW		01
08	0503011442	3/4" SPRING WASHER		01
09	0511061576	SPRING GUIDE		01
10	0503031679	COMPRES SPRING		01
11	1902020393	SPRING UPPER SUPPORT		01
12	0503010014	3/4" NUT		03
13	0501056436	DISC BLADE HUB ASSY		01
14	0521015376	DUST CLOAK		02
15	0511015346	FLAT WASHER		02
16	0521013510	3/4" NUT		02
17	0503011438	SPRING WASHER		02



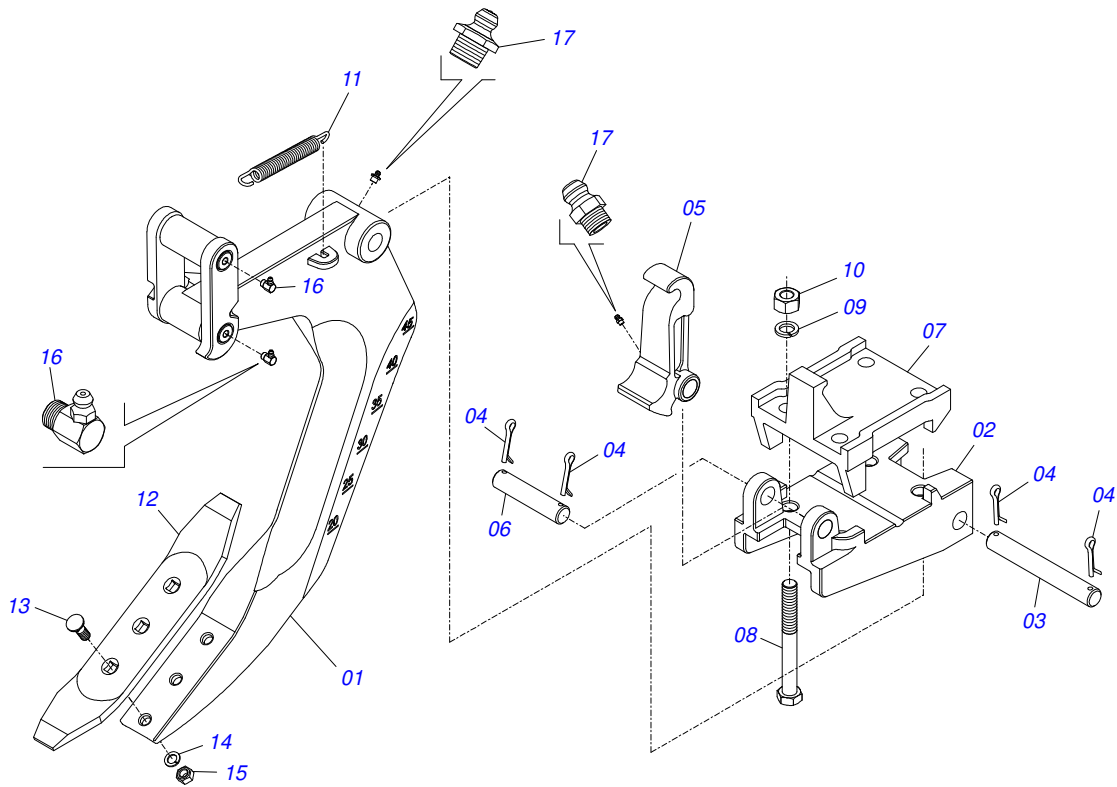
Item	Code	Description	See page	QT
01	0501058208	HOSE KIT		01
01A	0501080461	TR-TC HOSE ASSY		02
01B	0501080510	HOSE 3/8 X 3500 TR-TM		02
01C	0501080435	3/8" X 3600 TR-TC HOSE		02
01D	0501081391	HOSE		02
02	0501072676	OIL DISTRIBUTOR BODY		02
03	0502012702	BODY SUPPORT CLAMP		05
04	0531011180	UPPER BODY CLIP		02
05	0503012555	SCREW 7/16 UNC X 2 CS RT G.7 ZN		03
06	0503010180	7/16" SPRING WASHER		05
07	0503010850	BOLT 7/16 UNC X 3 CS G.5 ZN		02
08	0501053834	MALE QUICK COUPLER WITH CAP - 1/2 NPT		02



Item	Code	Description	See page	QT
01	0511063786	EXTENSOR 950		01
02	0511063787	FUSO EXTERNO R1.1/2 X 432 DIREITO		01
03	0511063788	FUSO EXTERNO R1.1/2 X 432 ESQUERDO		01
04	0541018672	COUNTERNUT		01
05	0541018673	COUNTERNUT		01
06	0503010002	1800 GREASE FITTING		02



Item	Code	Description	See page	QT
01	0503062227	DRAWBAR JACK		01



Item	Code	Description	See page	QT
01	0511061712	ARM SUBSOILER		01
02	0502012692	FIXING BASE		01
03	0521017725	1" X 7.4" COUPLING SHAFT		02
04	0503010571	1/4" X 1.1/2" COTTERPIN		04
05	0502011864	AST/MATIC 450 RESET		01
06	0521017724	1" X 6.2" COUPLING SHAFT		01
07	0502012691	FIXER BASE UPPER		01
08	0503012729	3/4" X 6-3/4" BOLT		04
09	0503011442	3/4" SPRING WASHER		04
10	0503010014	3/4" NUT		08
11	0503031574	6.9" X 0.8" X 0.1" EXTENSION SPRING		01
12	0624010005	POINT SUBSOILER 16"X3"X1/2" E019		01
13	0503012956	1/2" X 1-1/2" BOLT		03
14	0503011440	SPRING WASHER		03
15	0503010020	1/2"NUT		03
16	0503010004	1890 GREASE FITTING		01
17	0503010002	1800 GREASE FITTING		02



civemasa

Technical Publications | Elaboration and Revision

LORENA ROCHA ALVES

www.civemasa.com.br

