

SUBSOILER PLOUGH

STAC E SP 550 7 ROD DC RD

Code: 0501093137
Series: S-0714
Revision: 00
Revision Date: SETEMBRO/2021

PARTS CATALOGUE


CIVEMASA

PRODUCTS

Code	Description
0120370239	STAC E SP 550 7H DC RD S-0714

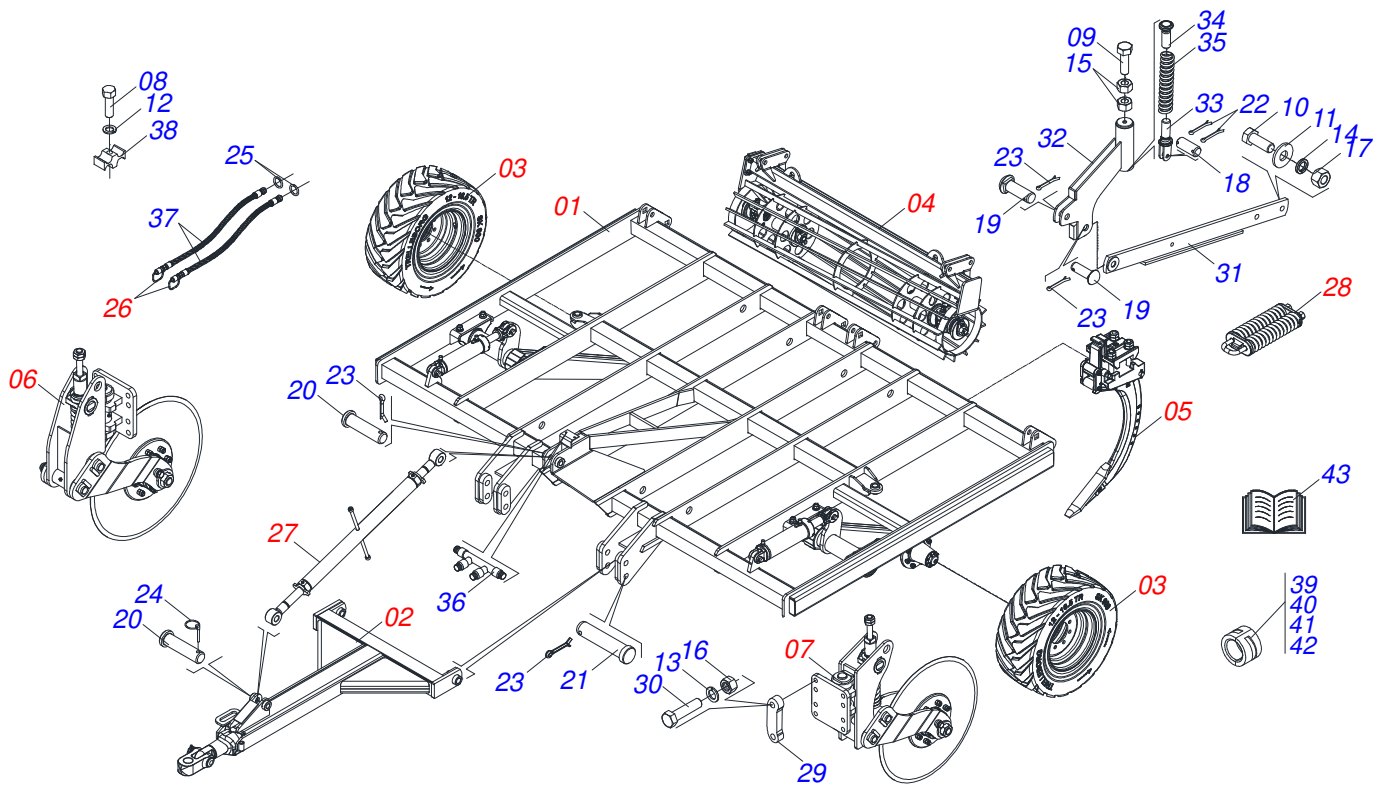
ATTENTION: IMPORTANT

Civemasa reserves the right to improve and / or modify the technical features of its products, without obligation to do the same with those products already sold and without prior knowledge of the dealer or the consumer.



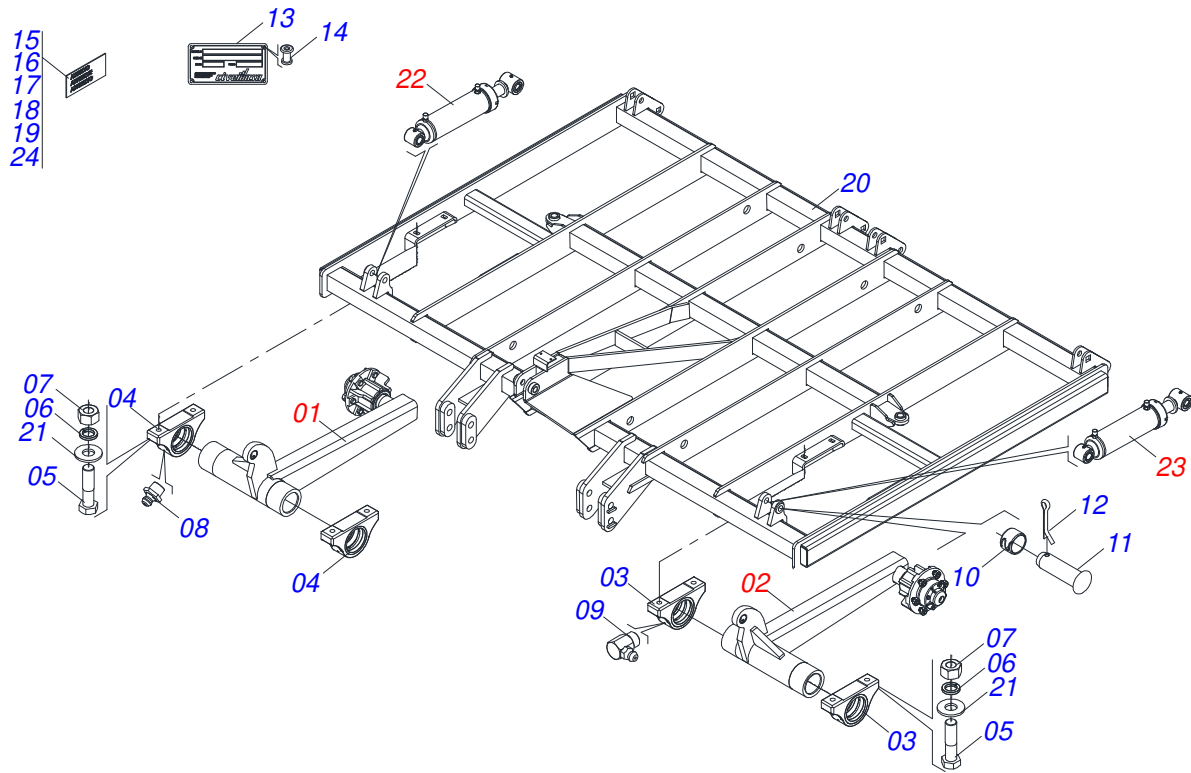
INDEX

0909096017	ASSY FRAME	1
0511049805	FRAME - 7H	2
0501054059	SUPORTE DIREITO RODADO S/PNEU	3
0501054060	SUPORTE ESQUERDO RODADO S/PNEU	4
0501058124	RODADO S/PNEU AST/MATIC E 550	5
0501110563	LEFT PIVOT BEARING WITH SLEEVE	6
0501110568	RIGHT PIVOT BEARING WITH SLEEVE	7
0521045646	HYDRAULIC CYLINDER	8
0521045647	HYDRAULIC CYLINDER	9
0511041101	ASSY HEAD	10
0503060414	WHEEL AND TIRE	11
0501054555	ROLO DESTORROADOR C/SUPORTE 7H	12
0501046922	7.5" X 1-1/4" OIL BATH BEARING	13
0501057701	SYSTEM STEM WITHOUT SPRING	14
0521044568	BLADE DISC FRONT	15
0521044567	REAR BLADE DISC ASSY	16
0511053370	24" X 7,5 BLADE DISC ASSY	17
0501057526	DISC HUB	18
0501053834	MALE QUICK COUPLER WITH CAP - 1/2 NPT	19
0501054088	ESTABILIZADOR CABEÇALHO COMPLETO	20
0511058296	HOSE ASSY	21

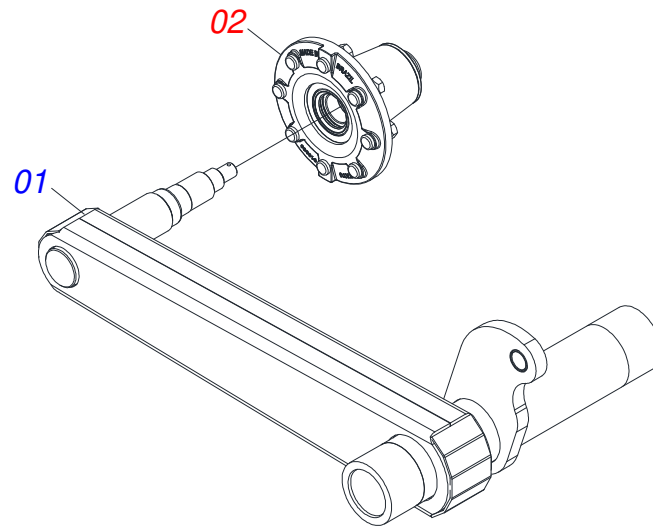


Item	Code	Description	See page	QT
01	0511049805	FRAME - 7H	2	01
02	0511041101	ASSY HEAD	10	01
03	0503060414	WHEEL AND TIRE	11	02
04	0501054555	ROLO DESTORROADOR C/SUPOORTE 7H	12	02
05	0501057701	SYSTEM STEM WITHOUT SPRING	14	07
06	0521044568	BLADE DISC FRONT	15	02
07	0521044567	REAR BLADE DISC ASSY	16	05
08	0503012555	SCREW 7/16 UNC X 2 CS RT G.7 ZN		01
09	0503013135	BOLT 3/4 UNC X 4 C S RT G.7		04
10	0501042312	PARAFUSO 1 UNC X 3.1/2 C S COMPLETO		08
11	0501011518	ARRUELA LISA 27 X 50 X 3		08
12	0503010180	7/16" SPRING WASHER		01
13	0503010023	3/4" SPRING WASHER		28
14	0503010012	1" SPRING WASHER		08
15	0503010014	3/4" NUT		04
16	0503010335	3/4"NUT		28
17	0501010059	1.5/8 NUT		08
18	0531016610	JUNCTION AXLE 3/4X45 AST/MATIC E 550		04
19	0531017715	PIVOT SHAFT 31,75 X 82,50 C A P Q		08
20	0531017716	AXLE TIGHTENER		02
21	0531016023	EIXO INF ENGATE AST/MATIC E 550		02
22	0503010362	1/8" X 1.1/4" COTTERPIN		08
23	0503010523	1/4" X 2" COTTERPIN		10
24	0503030085	LOCK PIN		02
25	0503011030	2-014 N 3006-9B O'RING		08
26	0501053834	MALE QUICK COUPLER WITH CAP - 1/2 NPT	19	02
27	0501054088	ESTABILIZADOR CABEÇALHO COMPLETO	20	01
28	0501052884	1" X 23.03" FASTENER		07
29	0571011609	FIXER PLATE CUTTING DISC		14
30	0503014744	3/4 UNF X 7.1/2 C S G.7 ZN BOLT		28
31	0511063807	BREAK ROLLER ARM		04

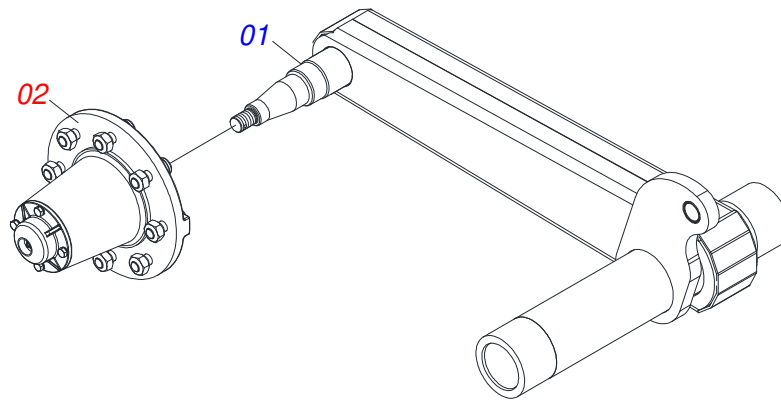
Item	Code	Description	See page	QT
32	0511064544	ROLLER ARTICULATED SUPPORT		04
33	0511064546	SPRING LOWER SUPPORT		04
34	0511064547	SPRING SUPPORT HOPPER		04
35	0503031560	COMPRESSION SPRING 42,6/44,6 X 350 X 12,7 1		04
36	0501068088	OIL TUBE		01
37	0511058296	HOSE ASSY	21	01
38	0502012702	BODY SUPPORT CLAMP		01
39	0501047895	ROD STOP		06
40	0501047885	ROD STOP		06
41	0501047887	ROD STOP		02
42	0501047888	ROD STOP		02
43	0511032611	PLASTIC COVER WITH INSTRUCTIONS MANUAL		01



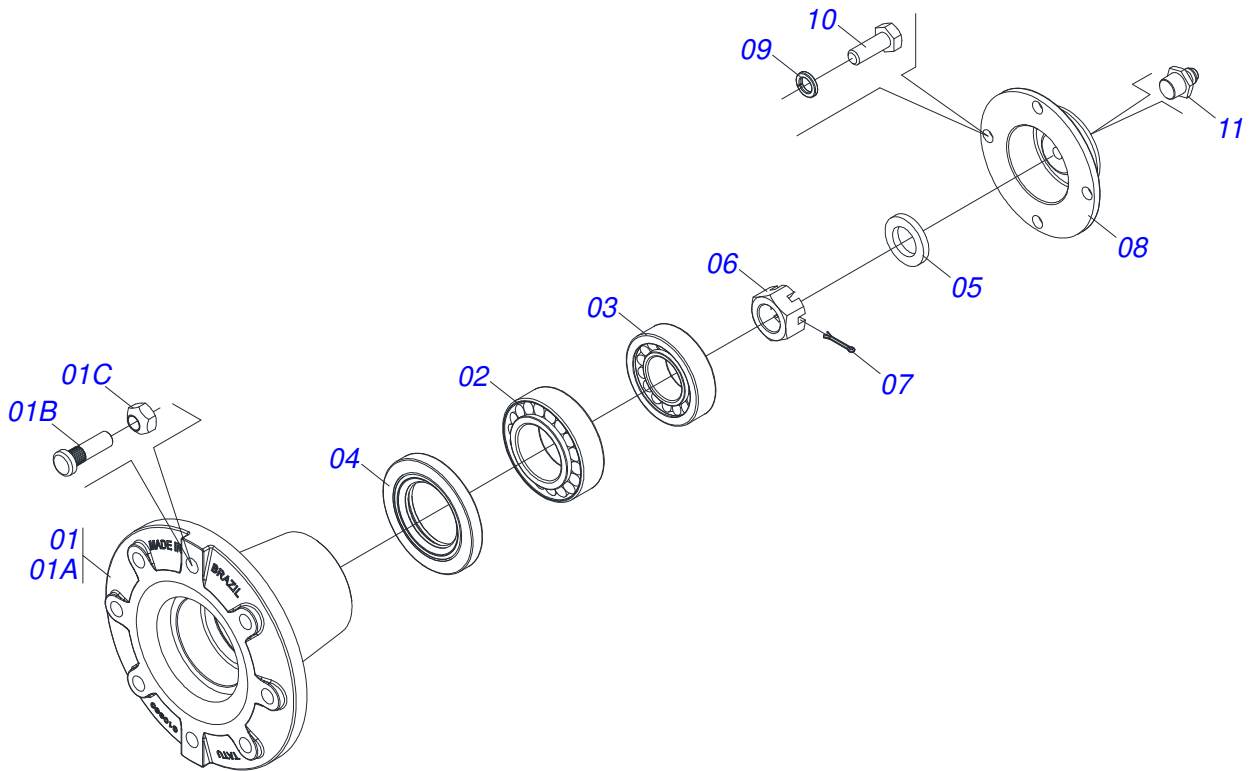
Item	Code	Description	See page	QT
01	0501054059	SUPORTE DIREITO RODADO S/PNEU	3	01
02	0501054060	SUPORTE ESQUERDO RODADO S/PNEU	4	01
03	0501110563	LEFT PIVOT BEARING WITH SLEEVE	6	02
04	0501110568	RIGHT PIVOT BEARING WITH SLEEVE	7	02
05	0503010901	3/4UNC 3.1/2 BOLT		08
06	0503011442	3/4" SPRING WASHER		08
07	0503010014	3/4" NUT		08
08	0503010002	1800 GREASE FITTING		04
09	0503010004	1890 GREASE FITTING		04
10	0511019920	LUVA 32,7 X 38,8 X 25,40		02
11	0521012538	1.2" X 3.5" COUPLING SHAFT		04
12	0503010523	1/4" X 2" COTTERPIN		04
13	0503034004	ALUMINUM IDENTIFICATION LABEL		01
14	0503010001	3.2 X 5.5 RIVET		04
15	0503033302	ADHESIVE		02
16	0503033246	ADHESIVE LABEL		02
17	0503031428	READ MANUAL DECAL		01
18	0503031827	LUBRICATE AND RETIGHTEN DAILY DECAL		02
19	0503033647	APPROVED BADGE		01
20	0521062524	FRAME		01
21	0501010322	FLAT WASHER		08
22	0521045646	HYDRAULIC CYLINDER	8	01
23	0521045647	HYDRAULIC CYLINDER	9	01
24	0503031739	ADHESIVE LABEL		01



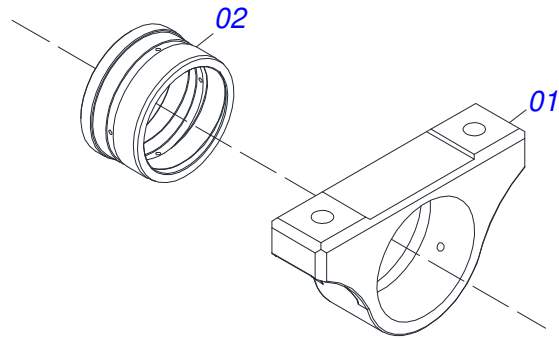
Item	Code	Description	See page	QT
01	0511069458	SUPORTE DIREITO RODADO		01
02	0501058124	RODADO S/PNEU AST/MATIC E 550	5	01



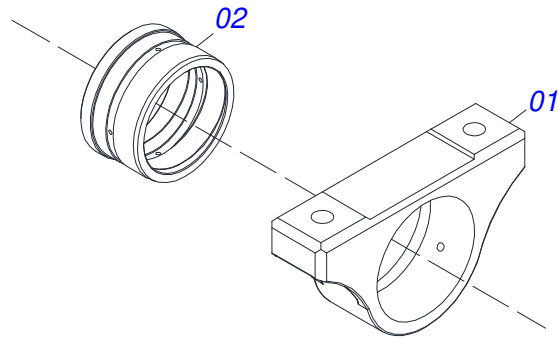
Item	Code	Description	See page	QT
01	0511069459	SUPORTE ESQUERDO RODADO		01
02	0501058124	RODADO S/PNEU AST/MATIC E 550	5	01



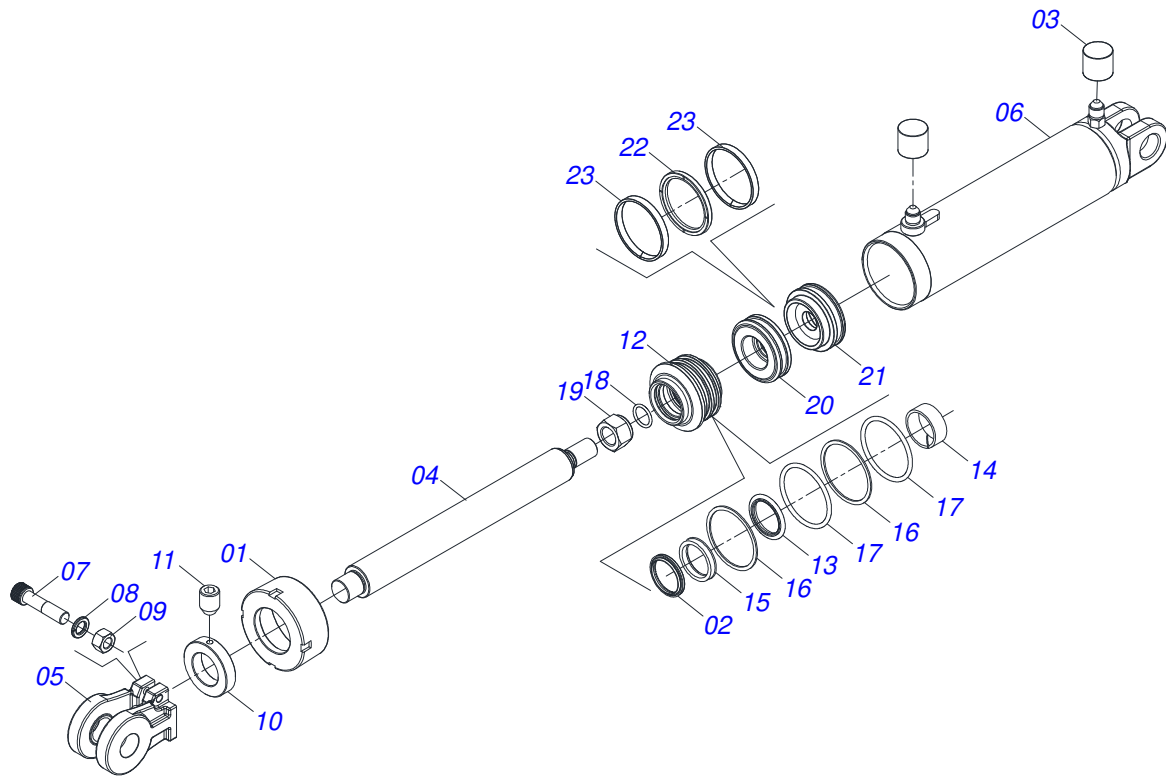
Item	Code	Description	See page	QT
01	0501110738	CARRYING WHEEL HUB		01
01A	0502012260	CAIXA RODADO TRANSPORTE		01
01B	0501010186	WHEEL SCREW 5/8UNF X 2.1/8CR		08
01C	0503010064	5/8 UNF CONIC NUT		08
02	0503010008	ROLAMENTO 3780/37203		01
03	0503011156	ROLAMENTO 2780/2720 IMP		01
04	0503013314	RETENTOR 5166-GB 63,5 X 110 X 13 ARCA		01
05	0511012492	ARRUELA LISA 28 X 46 X 6,30		01
06	0503030009	1" CASTLE NUT		01
07	0503010018	5/32 X 1-1/2 COTTERPIN		01
08	0502020591	PROTECCION COVER		01
09	0503011444	SPRING WASHER		04
10	0503010358	5/16" X 5/8" BOLT		04
11	0503010002	1800 GREASE FITTING		01
12	1882970002	GREASE SOAP		00



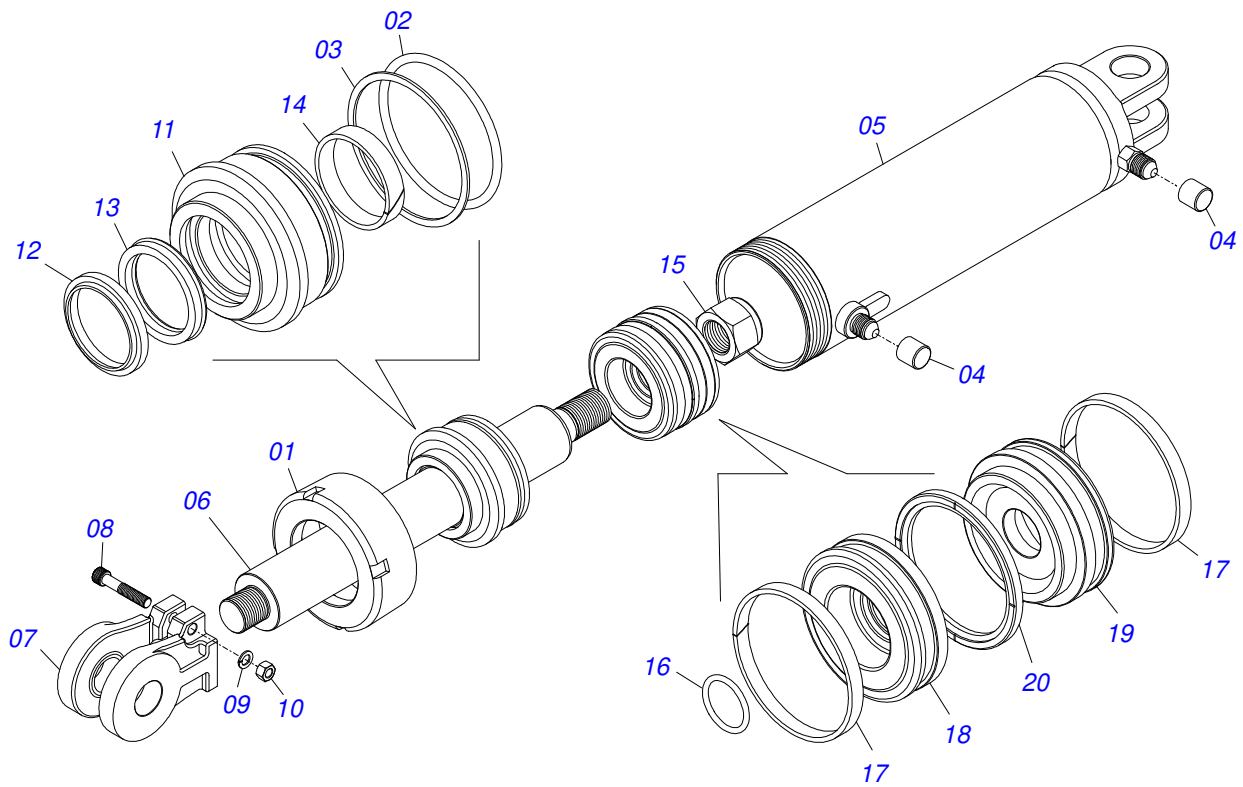
Item	Code	Description	See page	QT
01	0502012273	PIVOT BEARING		01
02	0551018339	SLEEVE NYLON 114,40 X 140 X 76		01



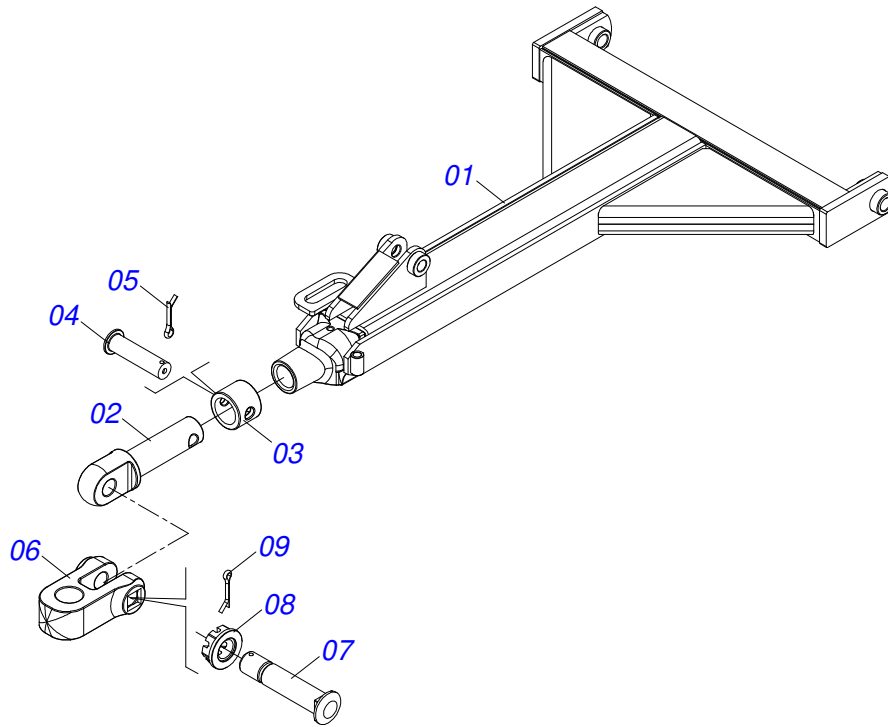
Item	Code	Description	See page	QT
01	0502012509	RIGHT PIVOT BEARING		01
02	0551018339	SLEEVE NYLON 114,40 X 140 X 76		01



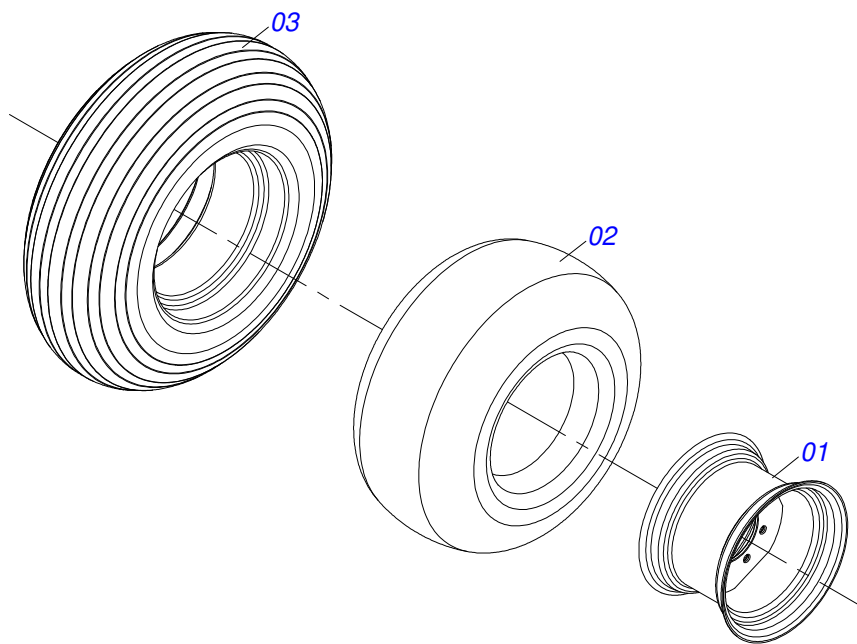
Item	Code	Description	See page	QT
01	0571019709	DETACHABLE COVER		01
02	0503010761	D-1750 SCRAPER RING		01
03	0503030385	CYLINDER PLUG N-002		02
04	0521016677	1.75" X 17.5" TURNBUCLE		01
05	0502040747	32.54 CLEVIS CLAMP		01
06	0521066182	CYLINDER CASE		01
07	0503011094	3/8" X 2" BOLT		01
08	0503011443	3/8" SPRING WASHER		01
09	0503010026	3/8" NUT		01
10	0511018115	1.8" X 0.1" 0.7" BUSHING		01
11	0503011148	3/8" X 1/2" BOLT		01
12	0571019711	RING SUPPORT		01
13	0503017936	RING		01
14	0503017938	RING GUIDE		01
15	0503017937	GASKET		01
16	0503017940	8-337 BACK-UP RING		02
17	0503017939	2-337 N 3006-9B O' RING		02
18	0503010042	2-214 N 3006-9B O'RING		01
19	0503010063	1" SELF-ALIGNING NUT		01
20	0581012598	PISTON		01
21	0581012597	PISTON		01
22	0503018650	SEALING		01
23	0503017883	RING GUIDE		02



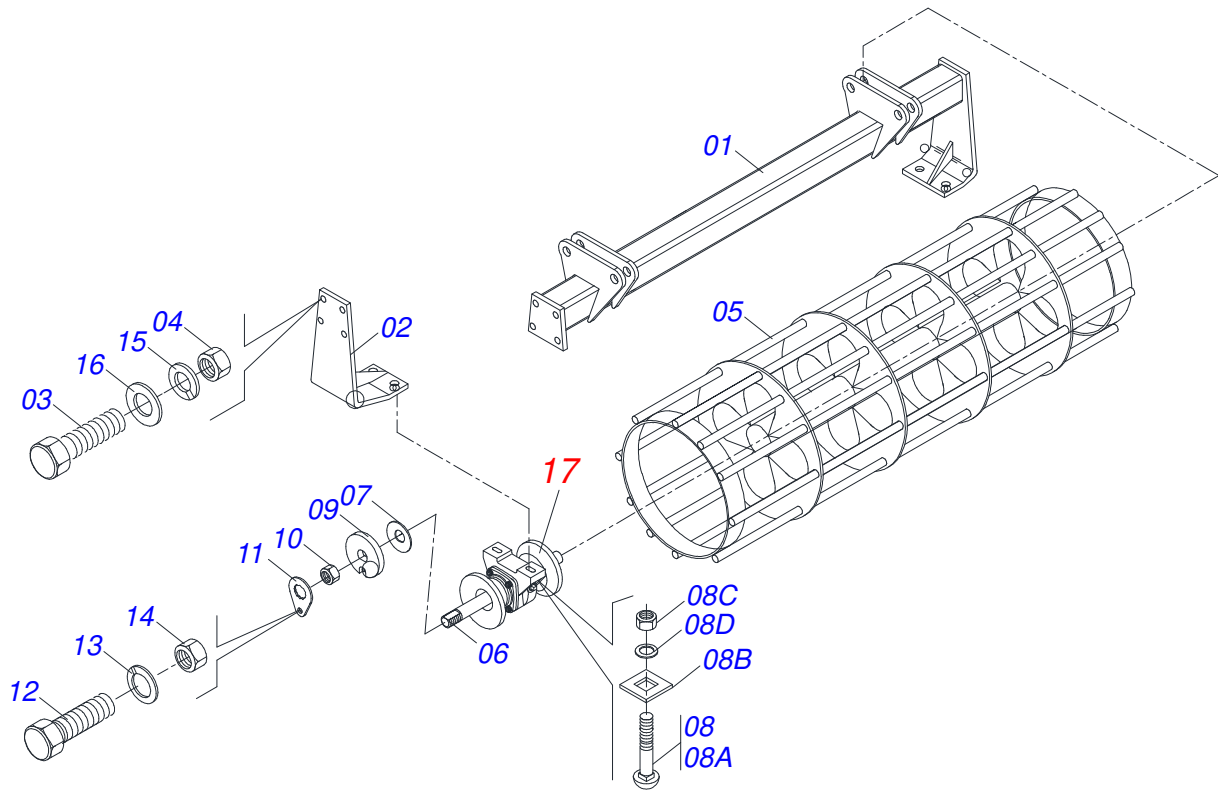
Item	Code	Description	See page	QT
01	0502010017	4" HEAD		01
02	0503010338	2-342 N 3006-9B O'RING		01
03	0503011061	8-342 BACK-UP RING		01
04	0503030385	CYLINDER PLUG N-002		02
05	0521066183	CYLINDER CASE		01
06	0531018706	2.1" X 17" EXTENDING BODY		01
07	0502040747	32.54 CLEVIS CLAMP		01
08	0503011094	3/8" X 2" BOLT		01
09	0503011443	3/8" SPRING WASHER		01
10	0503010026	3/8" NUT		01
11	0502011250	RING OF SUPPORT		01
12	0503015715	SCRAPER SEALING		01
13	0503015642	U-CUP SEALING		01
14	0503010973	W2-2500-500 PK O'RING G.E		01
15	0503010817	1.1/4" SELF LOCKING NUT		01
16	0503010345	2-218 N 3006-9B O'RING		01
17	0503017889	RING GUIDE		02
18	0581012601	PISTON		01
19	0581012602	PISTON		01
20	0503018651	SEALING		01



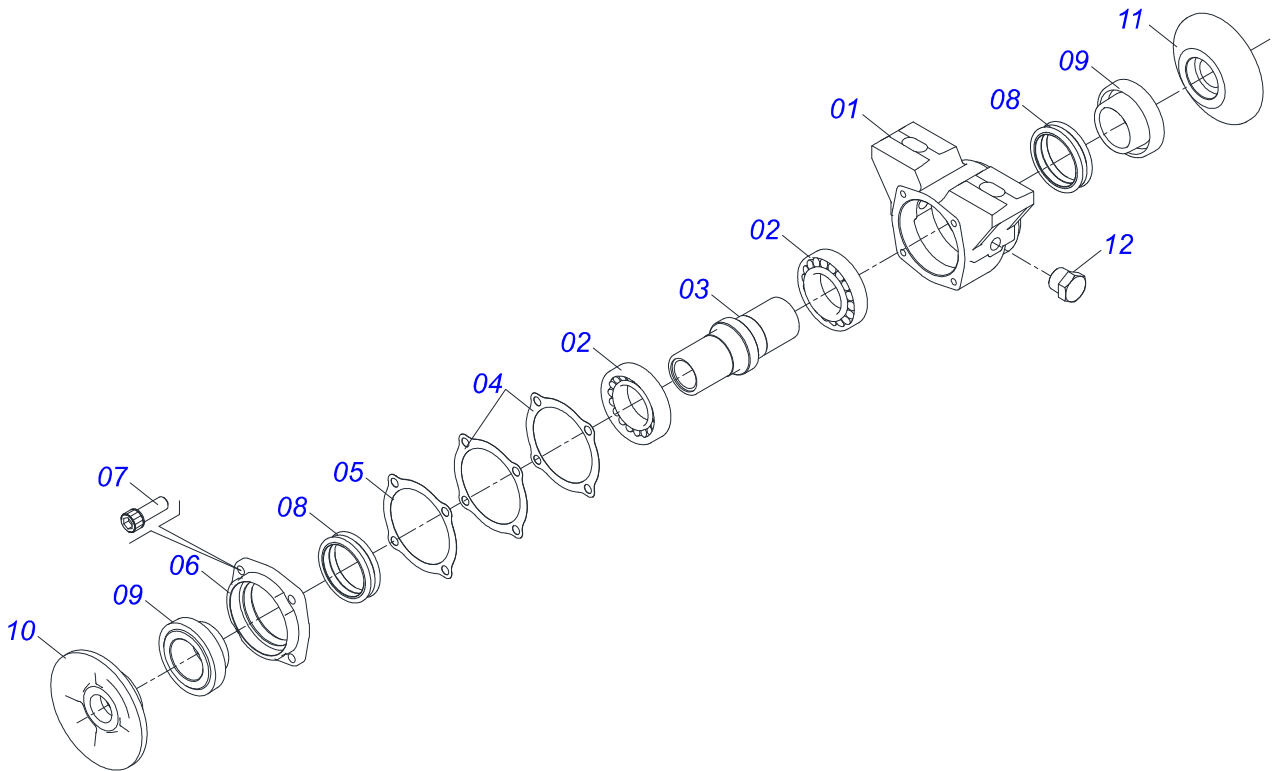
Item	Code	Description	See page	QT
01	0511063767	DRAWBAR		01
02	1902040223	PIN HITCH		01
03	1902040327	LOCK SLEEVE		01
04	0511014902	COUPLING SHAFT		01
05	0503010571	1/4" X 1.1/2 COTTERPIN		01
06	1902040732	COUPLING		01
07	0521012545	COUPLING SHAFT		01
08	0501011301	1.1/2 UNC 6FPP 2.5/16 NUT		01
09	0503010010	1/4" X 2.1/2" COTTERPIN		01



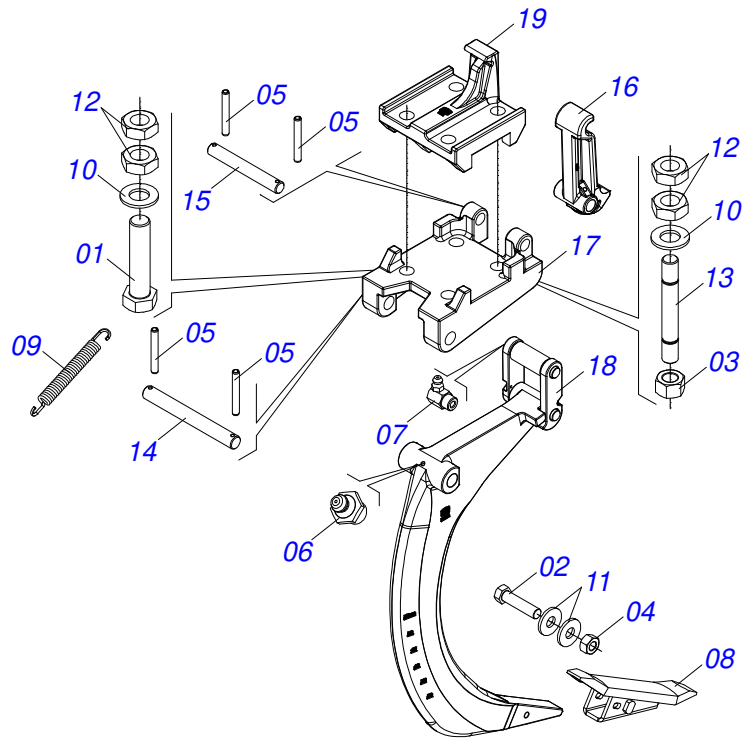
Item	Code	Description	See page	QT
01	0503012108	RODA 10 LB X 15 X 8F X 203 GCRO		01
02	0503010860	CAMARA AR 11L 15		01
03	0503011469	RIB TIRE 12L		01



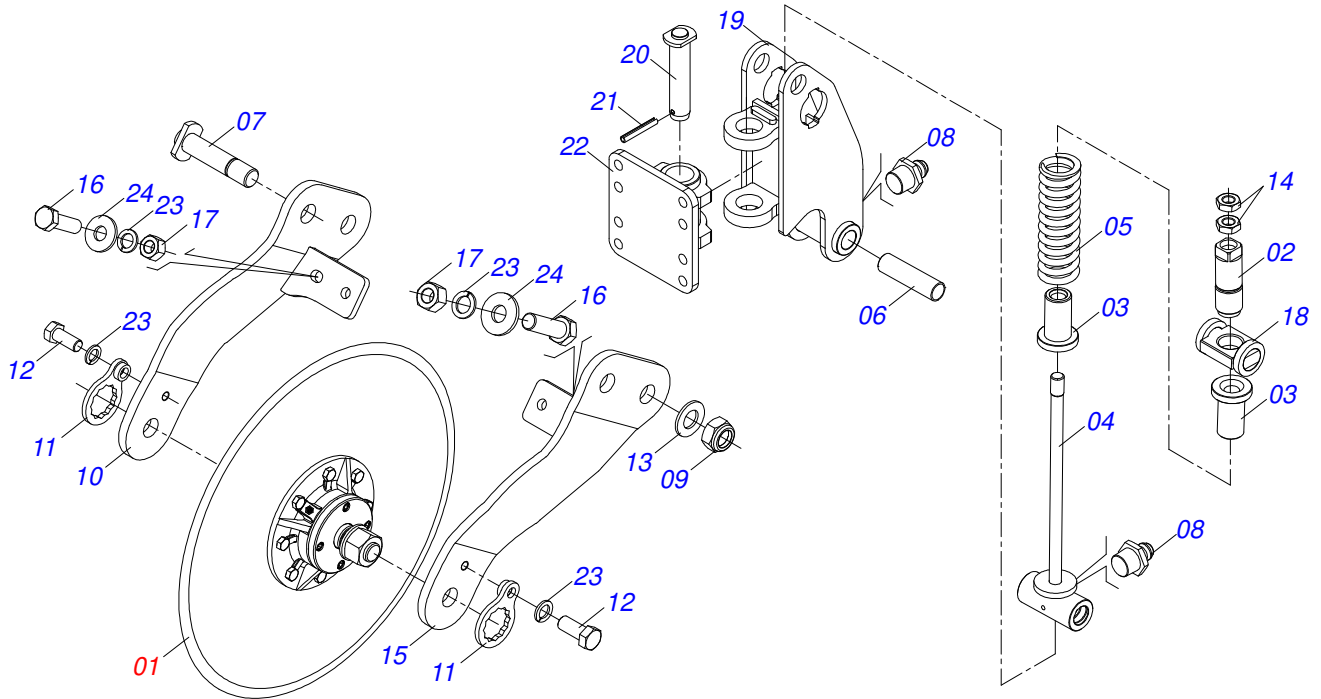
Item	Code	Description	See page	QT
01	0511064316	SUPPORT DESTROYER ROLLER 1815		01
02	0511069433	BREAK ROLLER BRACKET		01
03	0503010232	5/8" X 1.3/4" BOLT		04
04	0503010013	5/8" NUT		04
05	0511064542	ROLO DEST 1800 AST/MATIC 550 7H		01
06	0531018574	EIXO 1.1/4 X 1840 AST/MATIC 550 7		01
07	0531018575	WASHER CONCAVE		02
08	0501058802	5/8 UNC X 2.3/4 BOLT ASSY		04
08A	0503015154	5/8" X 2.3/4" BOLT		01
08B	0501010947	5/8 NUT LOCK		01
08C	0501012140	FLAT WASHER		01
08D	0503010013	5/8" NUT		02
09	0502010835	1-1/4" EXTERNAL AXLE WASHER		02
10	0501010087	1.1/4" NUT		02
11	0501010455	1.1/4" NUT LOCK		02
12	0501010161	1/2" X 1.1/4" BOLT		02
13	0503011440	SPRING WASHER		02
14	0503010060	1/2" NUT		02
15	0503011445	SPRING WASHER		04
16	0501012140	FLAT WASHER		04
17	0501046922	7.5" X 1-1/4" OIL BATH BEARING	13	02



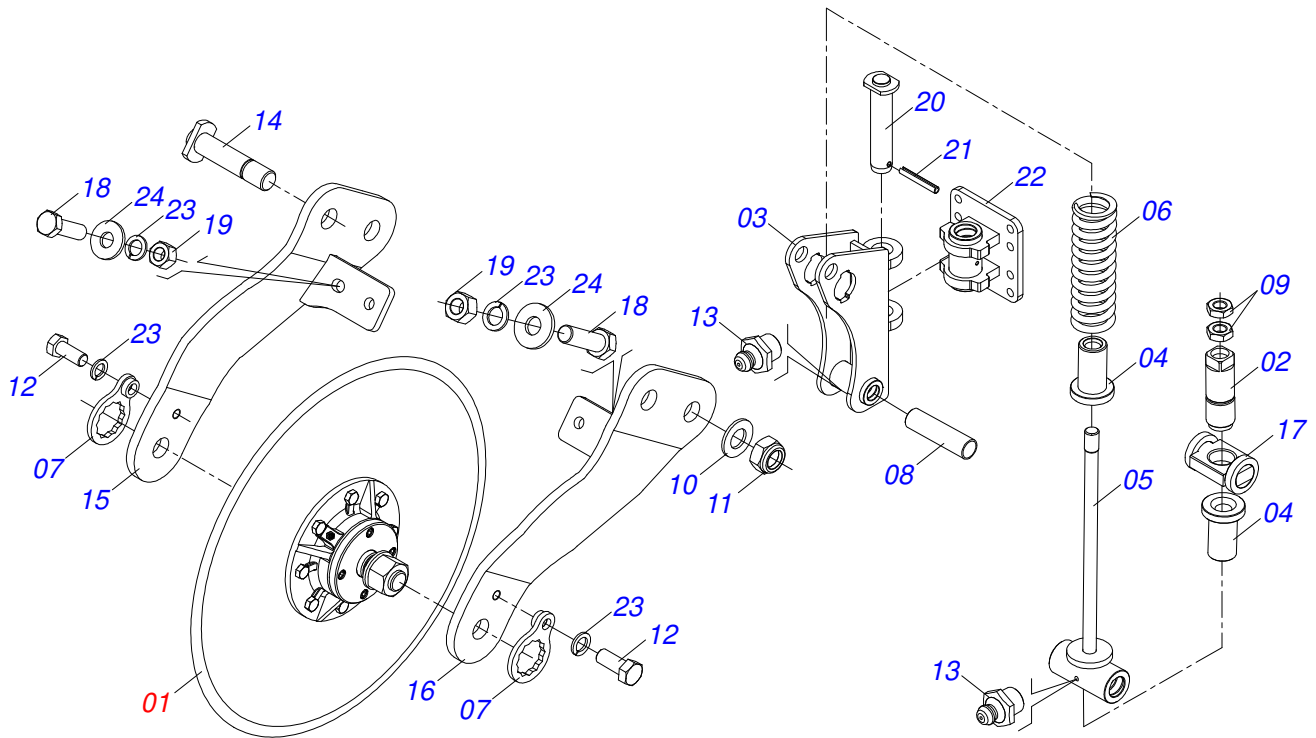
Item	Code	Description	See page	QT
01	0502010540	HOUSING DM		01
02	0503010111	30210 ROLLER BEARING		02
03	0502040218	AXLE		01
04	0503030013	4.4" X 3.5" X 0.004" JOINT		02
05	0503030684	4.4" X 3.5" X 0.004" JOINT		01
06	0502020424	HOUSING CAP		01
07	0503010134	3/8" X 1" BOLT		04
08	0503030026	SEAL LP JB-253		02
09	0502010541	SEAL RETAINER		02
10	0502010070	OUTER FLANGE		01
11	0502010071	INNER FLANGE		01
12	0503010856	OIL PLUG		01



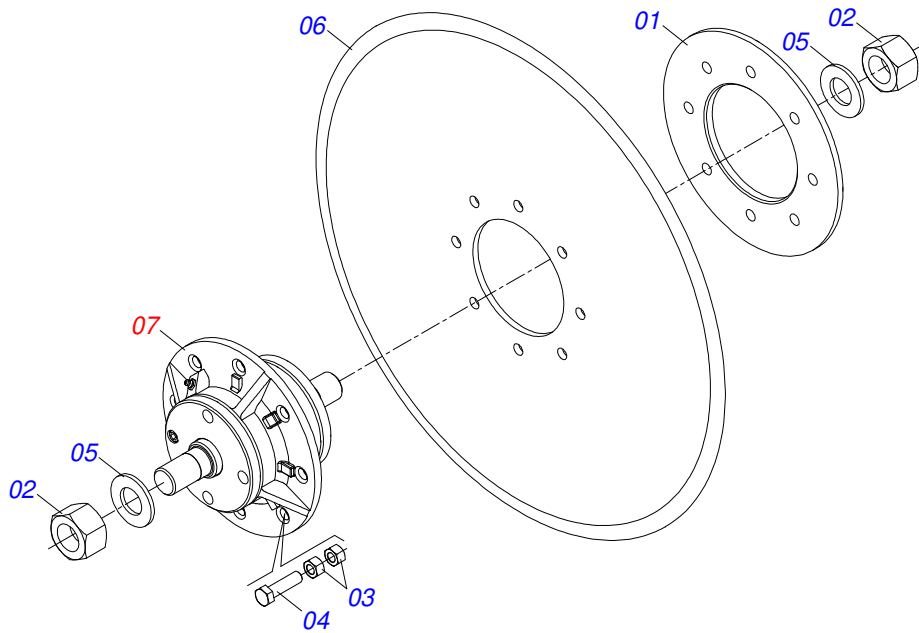
Item	Code	Description	See page	QT
01	0521017351	1-1/4" X 8" BOLT		02
02	0503010850	BOLT 7/16 UNC X 3 CS G.5 ZN		01
03	0503010352	1.1/4" UNF NUT		02
04	0503010244	7/16" NUT		01
05	0503011877	0.3" X 2.4" SPRING PIN		04
06	0503010004	1890 GREASE FITTING		02
07	0503010002	1800 GREASE FITTING		02
08	0511068435	POINT SUBSOILER		01
09	0503031574	6.9" X 0.8" X 0.1" EXTENSION SPRING		01
10	0501017779	32 X 60 X 4.75 FLAT WASHER		04
11	0501012803	FLAT WASHER		02
12	0503013094	1.1/4" NUT		08
13	0541010119	1.1/4" X 9.5" FASTENER		02
14	0521017367	1.2" X 10.1" AXLE		01
15	0521017366	1.1" X 7.7" AXLE		01
16	0502011823	SPRING FIXER ARM		01
17	0502011822	LOWER BASE		01
18	0511068743	ROD WITH ARM/DISARMMENT		01
19	1902011821	TOP BASE		01



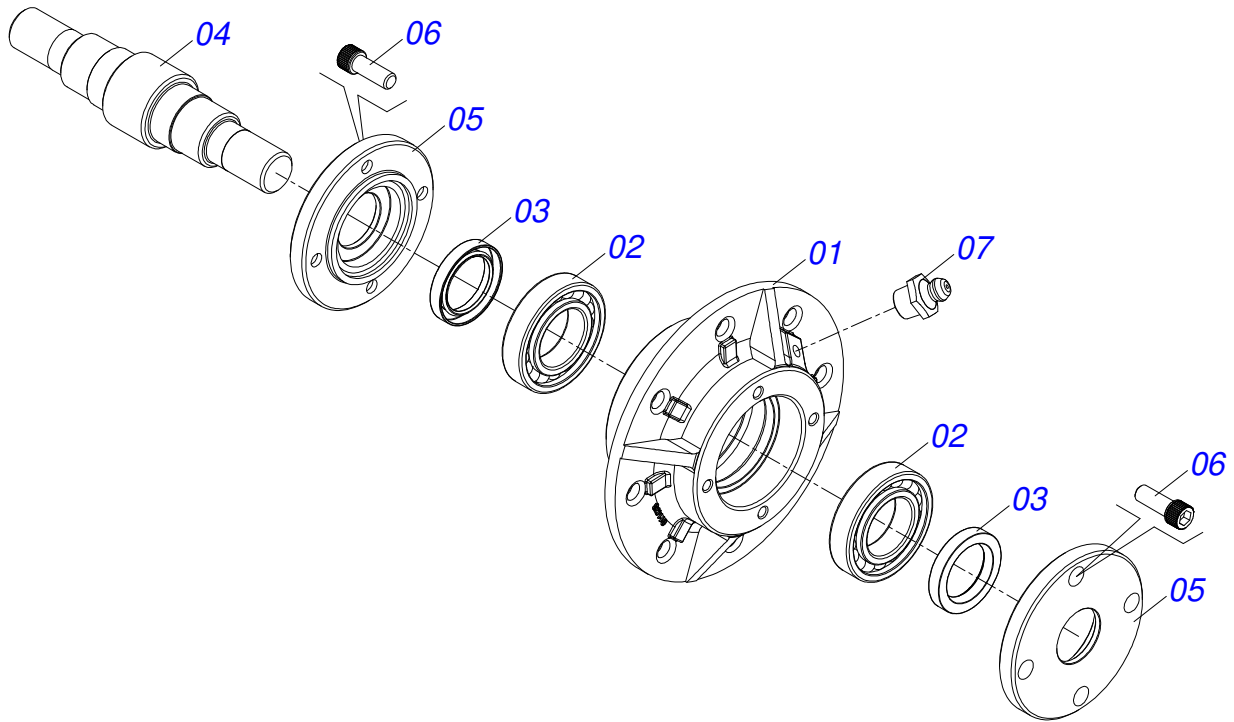
Item	Code	Description	See page	QT
01	0511053370	24" X 7,5 BLADE DISC ASSY	17	01
02	0571010668	2" REGULATOR SPINDLE		01
03	0571010669	SLEEVE		02
04	0521062925	PRING ROD		01
05	0503031390	2.1"X10"X1/2" COMPRESSION SPRING		01
06	0551014549	32,54 SLEEVE		02
07	0521062926	COUPLING SHAFT		02
08	0503010002	1800 GREASE FITTING		03
09	0503010044	1-1/4" SELF LOCKING NUT		02
10	0521062924	RIGHT ARM THE BLADE DISC		01
11	0501069637	AXLE NUT LOCK		02
12	0503011267	BOLT 5/8 UNC X 1.1/2 C S G.5 ZN		02
13	0501017779	32 X 60 X 4.75 FLAT WASHER		02
14	0503013635	1" NUT		02
15	0521064686	RIGHT ARM OF THE BLADE DISC		01
16	0501010100	SCREW 5/8 UNC X 2 CS G.5 ZN		02
17	0503010013	5/8" NUT		02
18	0521064687	SPRING LOCKNUT		01
19	0521065138	FRONT FIXER		01
20	0521065131	COUPLING SHAFT		01
21	0503016184	SPRING PIN		01
22	0521065132	SPRING FIXER		01
23	0503011445	SPRING WASHER		08
24	0501012140	FLAT WASHER		02



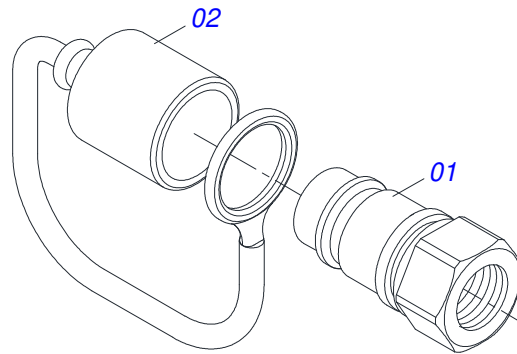
Item	Code	Description	See page	QT
01	0511053370	24" X 7,5 BLADE DISC ASSY	17	01
02	0571010668	2" REGULATOR SPINDLE		01
03	0521065137	REAR FIXER		01
04	0571010669	SLEEVE		02
05	0521062925	PRING ROD		01
06	0503031390	2.1"X10"X1/2" COMPRESSION SPRING		01
07	0501069637	AXLE NUT LOCK		02
08	0551014549	32,54 SLEEVE		02
09	0503013635	1" NUT		02
10	0501017779	32 X 60 X 4.75 FLAT WASHER		02
11	0503010044	1-1/4" SELF LOCKING NUT		02
12	0503011267	BOLT 5/8 UNC X 1.1/2 C S G.5 ZN		02
13	0503010002	1800 GREASE FITTING		03
14	0521062926	COUPLING SHAFT		02
15	0521062924	RIGHT ARM THE BLADE DISC		01
16	0521064686	RIGHT ARM OF THE BLADE DISC		01
17	0521064687	SPRING LOCKNUT		01
18	0501010100	SCREW 5/8 UNC X 2 CS G.5 ZN		02
19	0503010013	5/8" NUT		02
20	0521065131	COUPLING SHAFT		01
21	0503016184	SPRING PIN		01
22	0521065132	SPRING FIXER		01
23	0503011445	SPRING WASHER		08
24	0501012140	FLAT WASHER		02



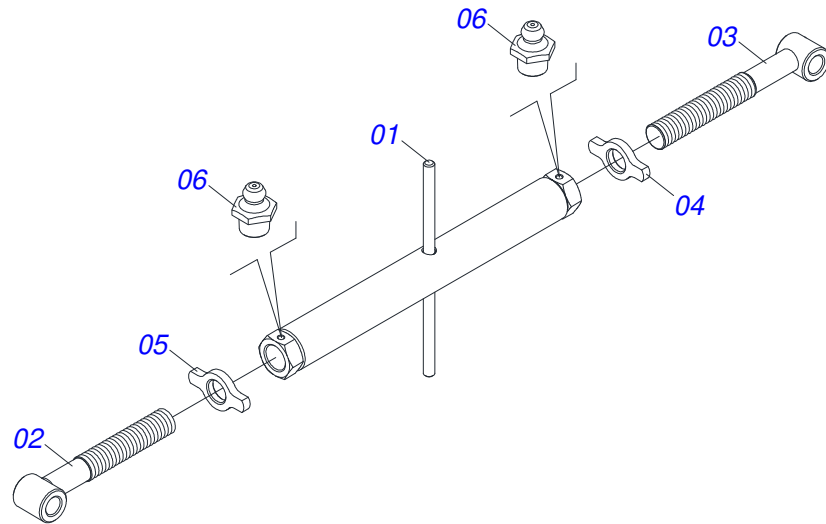
Item	Code	Description	See page	QT
01	0521011824	BLADE DISC FLANGE OUTER		01
02	0501010087	1.1/4" NUT		02
03	0503010060	1/2" NUT		16
04	0503010905	1/2" X 2-1/4" BOLT		08
05	0501017779	32 X 60 X 4.75 FLAT WASHER		02
06	0603030067	24" X 7,5 PLAIN COULTER BLADE		01
07	0501057526	DISC HUB	18	01



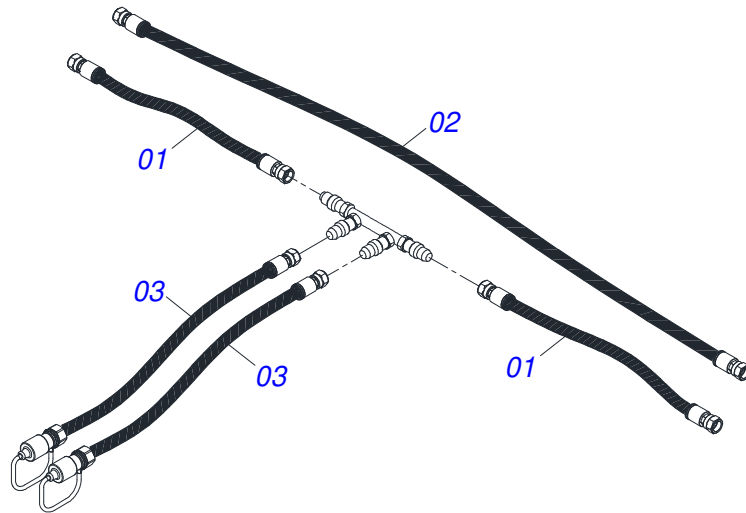
Item	Code	Description	See page	QT
01	0502011478	DISC HUB		01
02	0503011291	6209 BALL BEARING		02
03	0503012106	00521-BR SEAL		02
04	0521012661	BLADE DISC AXLE HUB		01
05	0502011477	BLADE DISC HOUSIG CP		02
06	0503010134	3/8" X 1" BOLT		08
07	0503010002	1800 GREASE FITTING		01



Item	Code	Description	See page	QT
01	0503011627	MALE QUICK COUPLER AGR 1/2 NPT		01
02	0503011882	MALE QUICK COUPLER CAP		01



Item	Code	Description	See page	QT
01	0511063786	EXTENSOR 950		01
02	0511063787	FUSO EXTERNO R1.1/2 X 432 DIREITO		01
03	0511063788	FUSO EXTERNO R1.1/2 X 432 ESQUERDO		01
04	0541018672	COUNTERNUT		01
05	0541018673	COUNTERNUT		01
06	0503010002	1800 GREASE FITTING		02



Item	Code	Description	See page	QT
01	0501080128	3/8" X 71" TR-TR HOSE ASSY		02
02	0501080403	3/8" X 137" TR-TR HOSE ASSY		01
03	0501080510	HOSE 3/8 X 3500 TR-TM		02



civemasa

Technical Publications | Elaboration and Revision

LORENA ROCHA ALVES

www.civemasa.com.br

