

AUXILIARY PRODUCTS

RAC 3.0 SCRAPER AGRICULTURAL

Code: 0501093134
Series: S-1201
Revision: 00
Revision Date: SETEMBRO/2021

PARTS CATALOGUE


CIVEMASA

PRODUCTS

Code	Description
0120500008	RAC 3.0 RASPADEIRA AGR S/PNEU S1201

ATTENTION: IMPORTANT

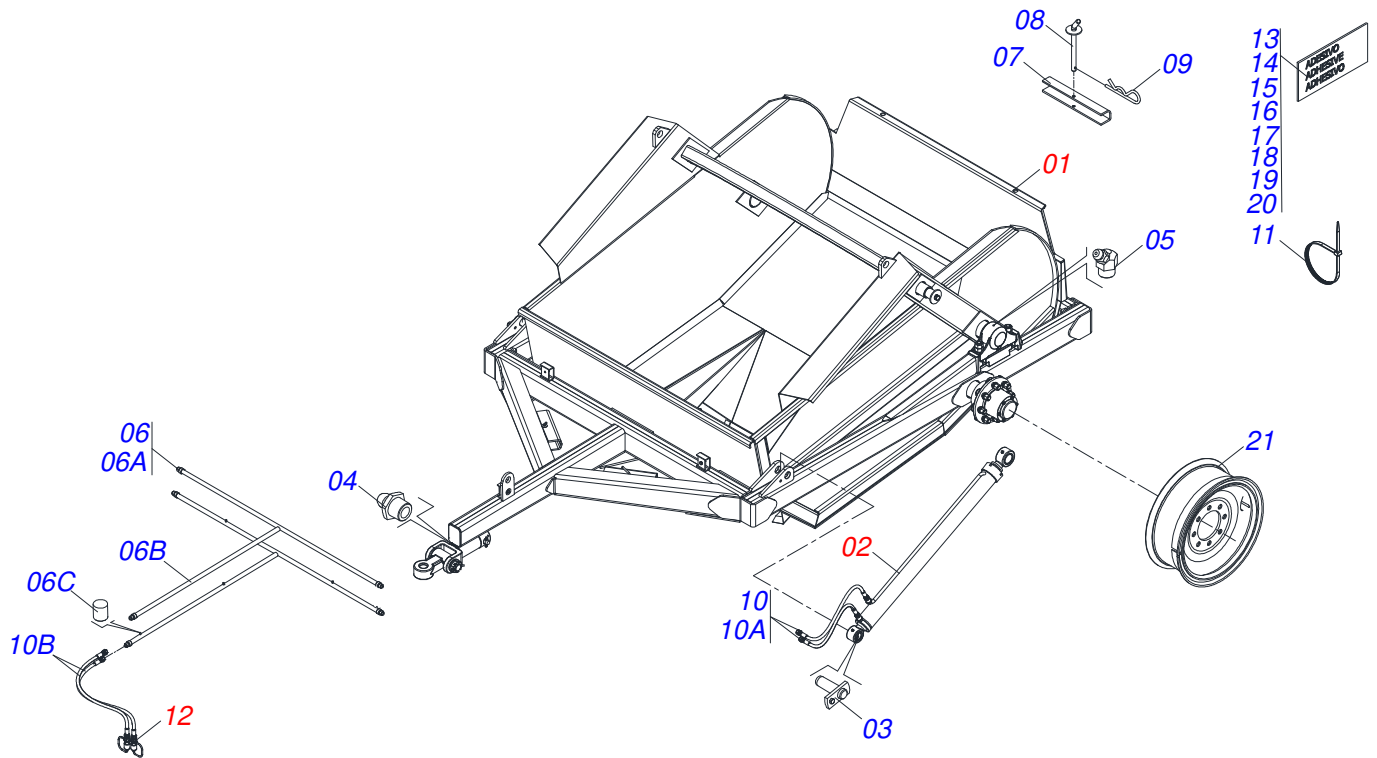
Civemasa reserves the right to improve and / or modify the technical features of its products, without obligation to do the same with those products already sold and without prior knowledge of the dealer or the consumer.



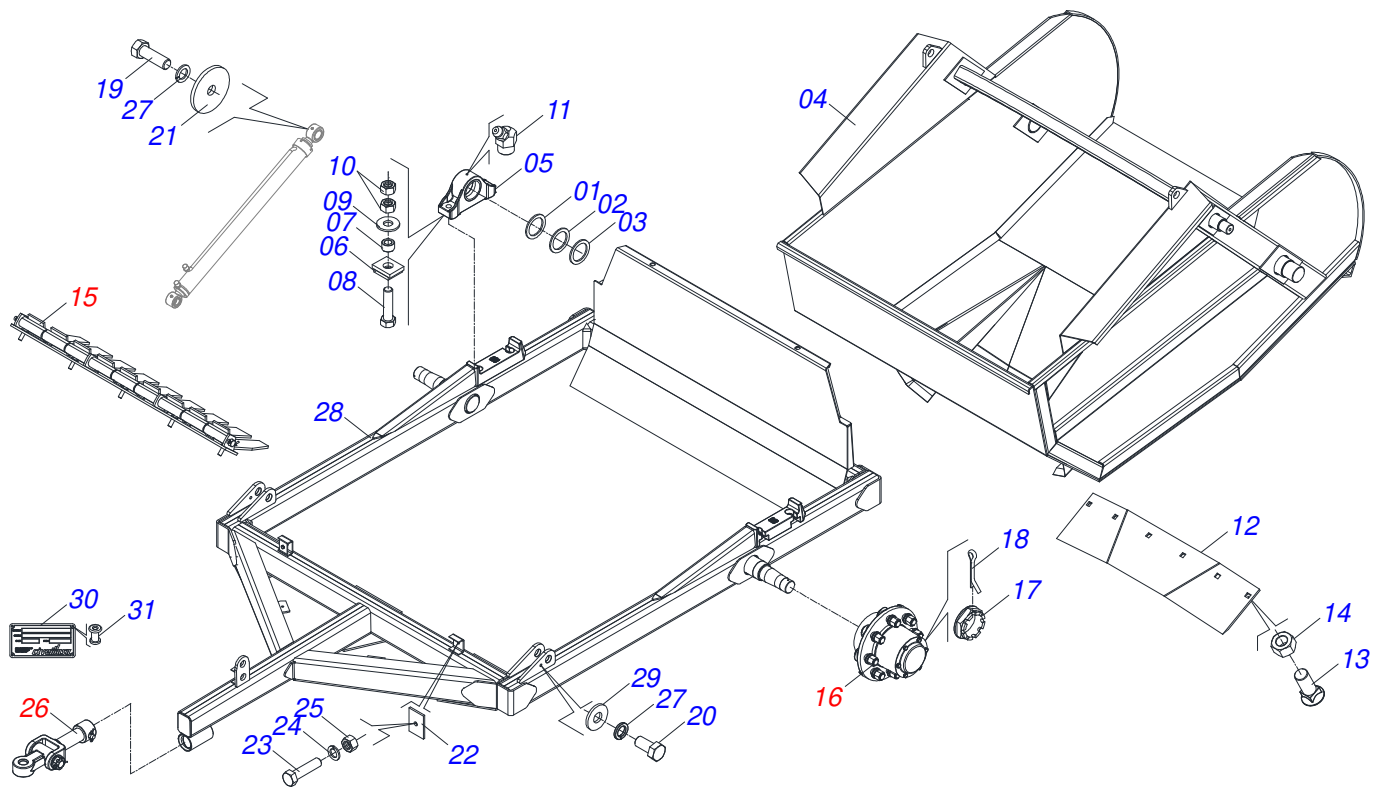


INDEX

0909095995	ASSY FRAME	1
0511052924	SEMI MOUNTED FRAME	2
0501050226	FLIP ASSY	3
0501052497	CARRYING WHEEL HUB ASSY	4
0511050685	ASSY HITCH	5
0501049597	1.7" X 32" X 48" X 37" HYDRAULIC CYLINDER	6
0501053834	MALE QUICK COUPLER WITH CAP - 1/2 NPT	7

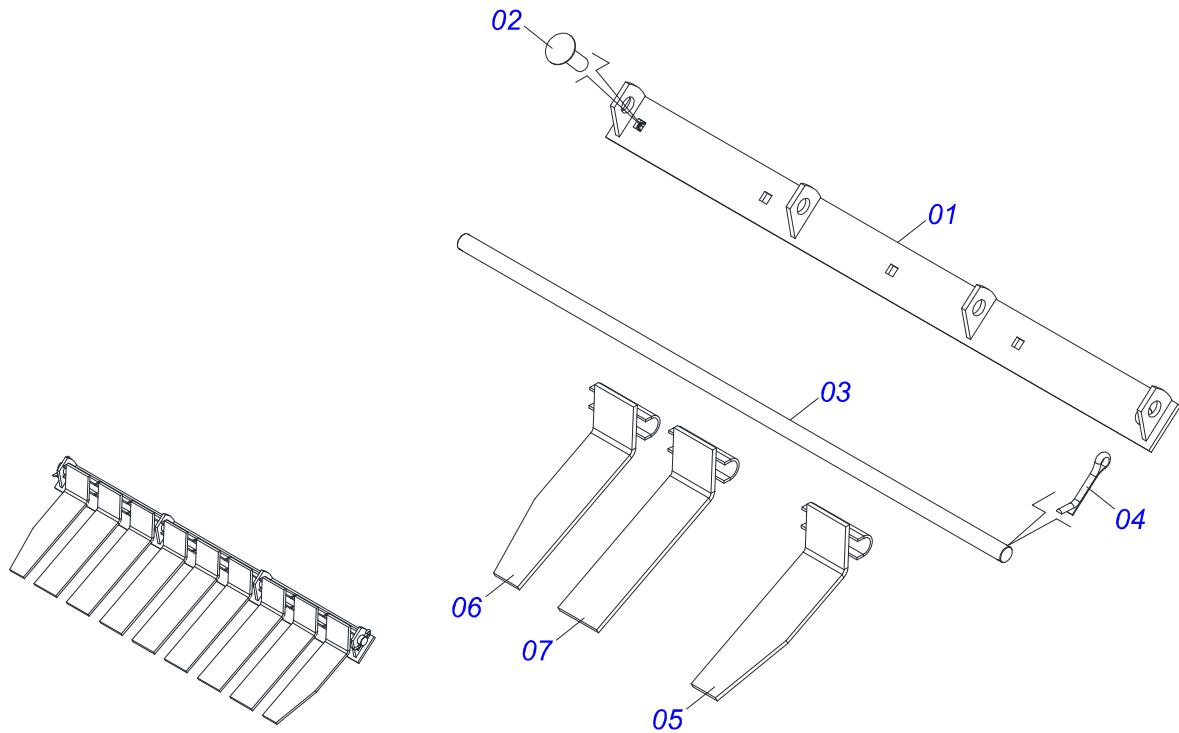


Item	Code	Description	See page	QT
01	0511052924	SEMI MOUNTED FRAME	2	01
02	0501049597	1.7" X 32" X 48" X 37" HYDRAULIC CYLINDER	6	02
03	0511062927	1.5" X 4.9" PIVOT SHAFT		02
04	0503010002	1800 GREASE FITTING		02
05	0503010003	1845 GREASE FITTING		02
06	0501069037	CONNECTOR		01
06A	0501070639	DUCT OIL DISTRIBUTOR		01
06B	0501070640	DUCT OIL DISTRIBUTOR		01
06C	0511011495	AXLE		04
07	0511017591	10.6" X 1.9" TRANSPORT LOCK		02
08	0501068994	0.3" X 3.1" LOCK PIN		02
09	0503030168	HAIR PIN		02
10	0501051066	HOSE KIT		01
10A	0501080189	1/2" X 28" TR-TR HOSE ASSY		04
10B	0501080072	1/2" X 63" TR-TM HOSE ASSY		02
11	0503013527	CLAMP ZIPER		04
12	0501053834	MALE QUICK COUPLER WITH CAP - 1/2 NPT	7	02
13	0503034287	BADGE RAC 3.0 CIVEMASA		01
14	0503033443	ADHESIVE		01
15	0503034286	BADGE RAC 3.0 CIVEMASA		01
16	0503031428	READ MANUAL DECAL		01
17	0503033647	APPROVED BADGE		01
18	0503031827	LUBRICATE AND RETIGHTEN DAILY DECAL		01
19	0503033238	BADGE		01
20	0503034078	LIFTING POINTS DECAL		03
21	0501068263	2.6"X0.8"X6.0"X 8F0. 9"X8.0" WHEEL		02

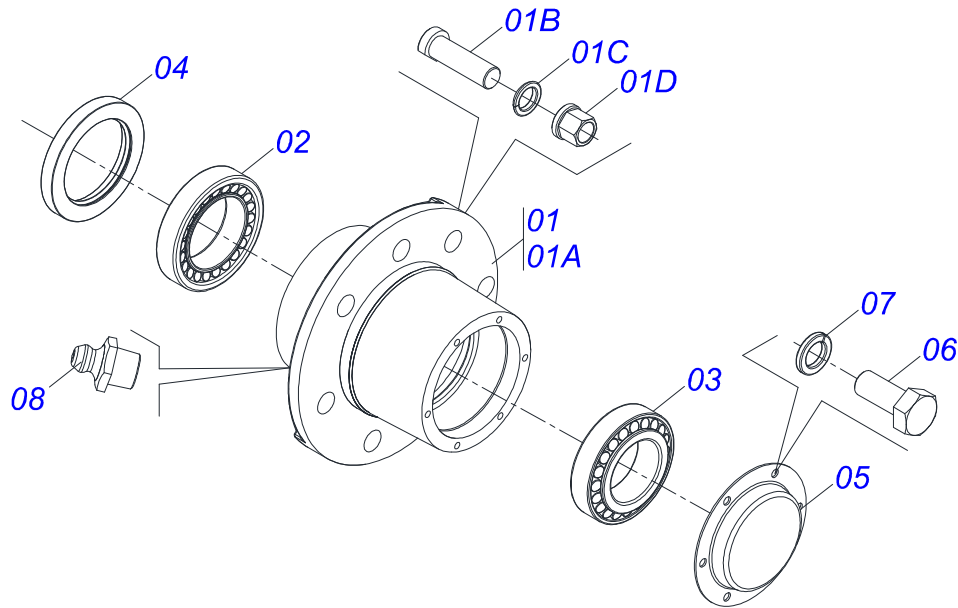


Item	Code	Description	See page	QT
01	0531014846	FLAT WASHER		02
02	0531015317	FLAT WASHER		02
03	0531015318	FLAT WASHER		01
04	0511063790	BUCKET		01
05	0501110081	BEARING ASSY WITH BUSHING		02
06	0511064919	BEARING SUPPORT CHOCK		04
07	0521010967	SLEEVE		04
08	0503012925	7/8" X 5" BOLT		04
09	0501010076	FLAT WASHER		04
10	0503010558	7/8" NUT		08
11	0503010003	1845 GREASE FITTING		02
12	0622360019	SCRAPER STA		01
13	0501012239	5/8" X 1.3/4" BOLT		06
14	0503010013	5/8" NUT		06
15	0501050226	FLIP ASSY	3	01
16	0501052497	CARRYING WHEEL HUB ASSY	4	02
17	0502040080	FLANGE NUT R.2.1/2 UN		02
18	0503012231	1/4" X 3" COTTERPIN		02
19	0503010962	5/8" X 1-1/4" BOLT		02
20	0503011267	BOLT 5/8 UNC X 1.1/2 C S G.5 ZN		02
21	0501010145	FLAT WASHER		02
22	0501013439	PLATE WITH SUPPORT		03
23	0501010096	3/8" X 2" BOLT		03
24	0503011443	3/8" SPRING WASHER		03
25	0503010026	3/8" NUT		03
26	0511050685	ASSY HITCH	5	01
27	0503011445	SPRING WASHER		20
28	0521063780	REAR FRAME		01
29	0501012140	FLAT WASHER		02
30	0503034004	ALUMINUM IDENTIFICATION LABEL		01
31	0503010001	3.2 X 5.5 RIVET		04

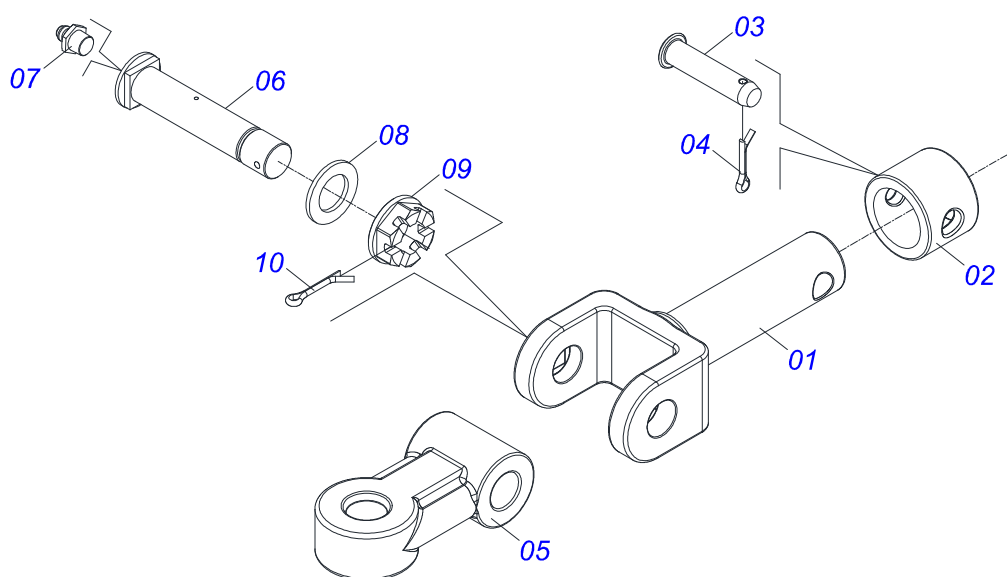
Item	Code	Description	See page	QT
32	1882970002	GREASE SOAP		00
33	1882970002	GREASE SOAP		00



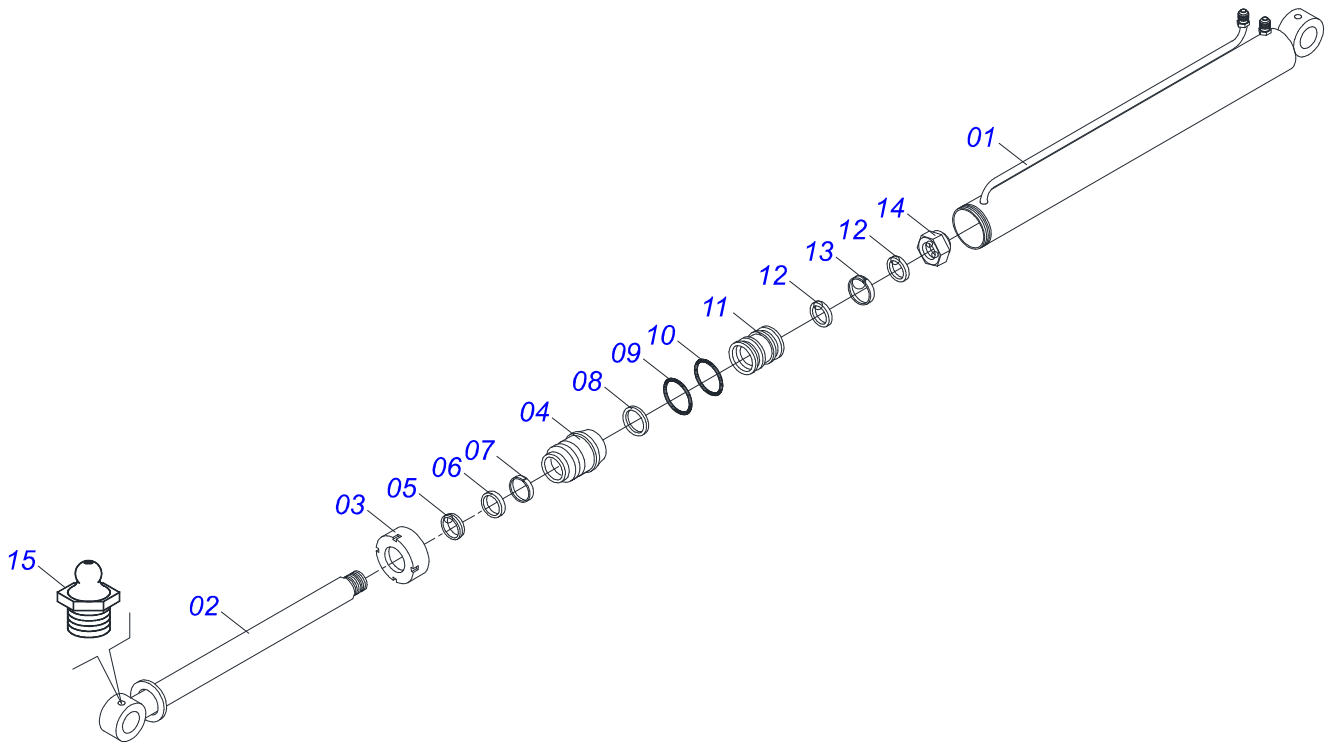
Item	Code	Description	See page	QT
01	0501063158	COVER SUPPORT		01
02	0501010243	1/2" X 1-1/2" BOLT		05
03	0501015053	COVER SHAFT		01
04	0503010571	1/4" X 1.1/2 COTTERPIN		02
05	0501063707	RIGHT SECTION SUPPORT		01
06	0501063706	LEFT SECTION SUPPORT		01
07	0501063159	SECTION SUPPORT		07



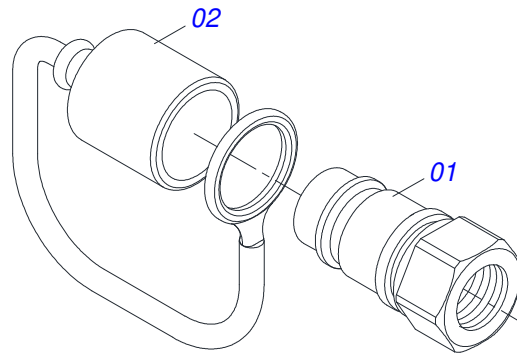
Item	Code	Description	See page	QT
01	0501110751	HUB AND SPINDLE WITH BOLT		01
01A	0502040522	HUB CARRYING-WHEELS		01
01B	0503011339	M22 X 1,5 X 72 BOLT		08
01C	0503011340	SPHERICAL SPRING WASHER		08
01D	0503011341	M22 X 0.6" NUT GR8 NUT		08
02	0503010059	33287/33462 ROLLER BEARING		01
03	0503010007	3982/3920 ROLLER BEARING		01
04	0503010050	SEAL 00085-B		01
05	0541013225	WHEEL BOX COVER		01
06	0503010240	5/16" X 3/4" BOLT		06
07	0503011444	SPRING WASHER		06
08	0503010002	1800 GREASE FITTING		01



Item	Code	Description	See page	QT
01	1902040822	U HITCH TRACTOR		01
02	1902040327	LOCK SLEEVE		01
03	0521010578	COUPLING SHAFT		01
04	0503010571	1/4" X 1.1/2 COTTERPIN		01
05	1902040821	TRACTOR HITCH BODY		01
06	0521012827	1.5" X 7.4" PIVOT SHAFT		01
07	0503010002	1800 GREASE FITTING		01
08	0501012916	FLAT WASHER 38,50 X 66 X 4,75 ZN		01
09	0501011301	1.1/2 UNC 6FPP 2.5/16 NUT		01
10	0503010010	1/4" X 2.1/2" COTTERPIN		01



Item	Code	Description	See page	QT
01	0511061941	3" X 44" CYLINDER CASE		01
02	0501068959	HYDRAULIC CYLINDER TURNBUCKLE		01
03	0502011899	MOBILE COVER		01
04	0502011898	1.8" X 3.0" PISTON		01
05	0503010761	D-1750 SCRAPER RING		01
06	0503010990	GASKET		01
07	0503010949	W2-2000-500 PK RING G.E		01
08	0503011059	8-334 BACK-UP RING		01
09	0503010343	2-334 N 3006-9B O'RING		01
10	0503010345	2-218 N 3006-9B O'RING		01
11	0502011897	RING SUPPORT		01
12	0503012768	3750-2250 GASKET		02
13	0503010992	W2-3000-500 PK RING G.E		01
14	0503010063	1" SELF-ALIGNING NUT		01
15	0503010002	1800 GREASE FITTING		02
16	0501033655	HYDRAULIC CYLINDER REPAIR KIT		01



Item	Code	Description	See page	QT
01	0503011627	MALE QUICK COUPLER AGR 1/2 NPT		01
02	0503011882	MALE QUICK COUPLER CAP		01



civemasa

Technical Publications | Elaboration and Revision
LORENA ROCHA ALVES

www.civemasa.com.br

