

DISK HARROWS

SGAC TR - 18D - AXIS 2.1/8" - PN400/60

Code: 0501093130
Series: S-0921
Revision: 00
Revision Date: SETEMBRO/2021

**PARTS
CATALOGUE**


CIVEMASA

PRODUCTS

Code	Description
0120150082	SGAC 18 TR 34X9,0 DR DMO E 2.1/8 PN400/60 S-0921

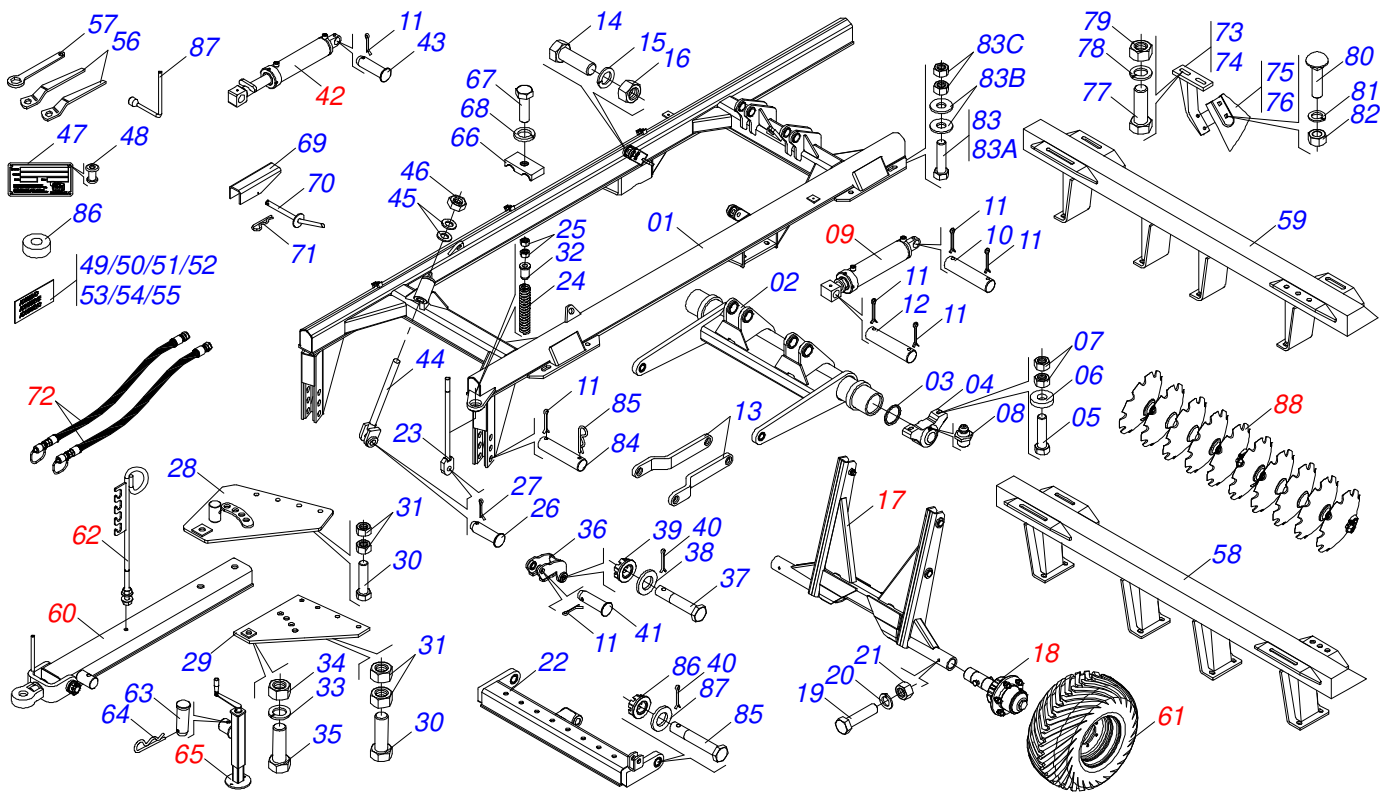
ATTENTION: IMPORTANT

CIVEMASA reserves the right to improve and/or modify the technical features of its products, without obligation to do the same with those products already sold and without prior knowledge of the dealer or the consumer. The photos are only illustrative.



INDEX

0909092016	ASSY FRAME	1
0501048562	HYDRAULIC CYLINDER 53,98X101,6X630X300	2
0521045051	WHEELS ASSY	3
0501055850	CARRYNG WHEEL HUB ASSEMBLY SET	4
0511045870	HYDRAULIC CYLINDER 101,6 X 53,68 X 520 X 200	5
0511050170	HARNESS ASSY	6
0503061868	14L WHEEL AND TIRE	7
0501040257	3/4 X 1200 HOSE HOLDER A	8
0511048088	DRAWBAR JACK	9
0909094731	HYDRAULIC CIRCUIT	10
0501053834	MALE QUICK COUPLER	11
0909092364	ASSY DISC SECTION	12
0531041578	AGRICULTURAL BEARING DM OL 360 X 2.1/8 SWINGING WITH SUPPORT	13
0531052835	AGRICULTURAL BEARING DM OL 360 X 2.1/8 SWING	14



Item	Code	Description	See page	QT
01	0511068622	FRAME GVPF		01
02	0511068627	WHEEL AXLE		01
03	0503012223	FELT RING		02
04	0502011583	BEARING AXLE		02
05	0503810797	BOLT		04
06	0521013710	WASHER SEMIMAN		04
07	0503012183	SNC 3/4" ZIN 1K03097 NUT		44
08	0503010002	1800 GREASE FITTING		04
09	0501048562	HYDRAULIC CYLINDER 53,98X101,6X630X300	2	02
10	0521013707	HEADLESS PIN		02
11	0503010010	1/4" X 2.1/2" COTTERPIN		09
12	0521013706	HEADLESS PIN		02
13	0511063681	ARM		02
14	0503011432	BOLT		02
15	0503010012	1" SPRING WASHER		02
16	0503012182	1" NUT		18
17	0521045051	WHEELS ASSY	3	01
18	0501055850	CARRYNG WHEEL HUB ASSEMBLY SET	4	02
19	0503811084	BOLT		02
20	0503010023	3/4" SPRING WASHER		02
21	0503812183	NUT		02
22	0511068631	DRAWBAR ASSY		01
23	0501066240	SPRING ROD		01
24	0503031341	2.7 X 8 X 0.5 COMPRESSION SPRING		01
25	0501010059	1.5/8 NUT		02
26	0521010592	1.1" X 3.1" COUPLING SHAFT		01
27	0503010571	1/4" X 1.1/2 COTTERPIN		01
28	0511068632	TOP HITCH PLATE		01
29	0521061881	LOWER HITCH PLATE		01
30	0501810219	SCREW 1		04
31	0503812182	HEXAGONAL NUT		08

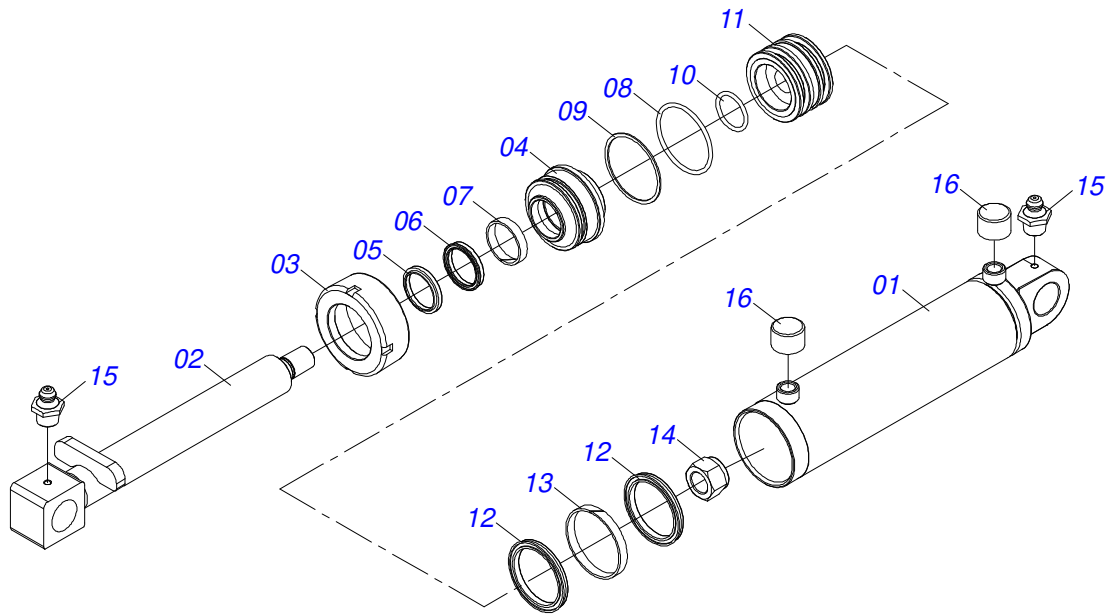
ASSY FRAME

Item	Code	Description	See page	QT
32	0502020392	SPRING SUPPORT		02
33	0503010070	SPRING WASHER		01
34	0503812181	HEXAGONAL NUT		01
35	0503012192	1-1/4" X 8 BOLT		01
36	0521062108	HEADING ARTICULATION		01
37	0521013739	BOLT HARNESS		01
38	0501812916	FLAT WASHER		01
39	0502011592	CASTLE NUT		01
40	0503010010	1/4" X 2.1/2" COTTERPIN		01
41	0551015334	PIN		01
42	0511045870	HYDRAULIC CYLINDER 101,6 X 53,68 X 520 X 200	5	01
43	0551015331	PIN		01
44	0511068629	PISTON TIME		01
45	0521014368	FLAT WASHER		02
46	0501010333	1.3/4" NUT		02
47	0503034004	ALUMINUM IDENTIFICATION LABEL		01
48	0503010001	3.2 X 5.5 RIVET		04
49	0503033038	DANGER SIGN		02
50	0503031428	READ MANUAL DECAL		01
51	0503031738	ADHESIVE LABEL		01
52	0503033647	APPROVED BADGE		01
53	0503034203	ADHESIVE		02
54	0503031739	ADHESIVE LABEL		01
55	0503034355	EMBLEM		02
56	0501011431	1-3/4" GANG BOLT WRENCH		02
57	0531013656	WRENCH		01
58	0531062910	FRAME ASSY - 18		01
59	0531062911	REAR CHASSIS - 18		01
60	0511050170	HARNESS ASSY	6	01
61	0503061868	14L WHEEL AND TIRE	7	02
62	0501040257	3/4 X 1200 HOSE HOLDER A	8	01
63	0561014251	COUPLING SHAFT		01
64	0503030012	HITCH PIN CLIP		01
65	0511048088	DRAWBAR JACK	9	01
66	0502012702	BODY SUPPORT CLAMP		03
67	0503012555	SCREW 7/16 UNC X 2 CS RT G.7 ZN		03
68	0503010180	7/16" SPRING WASHER		03
69	0521013685	LOCK PISTON		02
70	0511060137	ASSEMBLY LOCK PIN		02
71	0503031464	TM 211 X 3,0 STAPLE		02
72	0909094731	HYDRAULIC CIRCUIT	10	01
73	0511060138	FRONT CLEANER SUPPORT		09
74	0511060139	REAR CLEANER SUPPORT		09
75	0521013678	FRONT CLEANER		09
76	0521013679	REAR CLEANER		09
77	0503012180	FRENCH 3/4" X 2 BOLT		36
78	0503010023	3/4" SPRING WASHER		36
79	0503012183	SNC 3/4" ZIN 1K03097 NUT		36
80	0503012195	5/8" NUT		36
81	0503010027	5/8" SPRING WASHER		36
82	0503010013	5/8" NUT		36
83	0531041590	1 X 4 C S COMPLETE SCREW ASSEMBLY		08
83A	0503011432	BOLT		01
83B	0521015523	BOOST		02
83C	0503012182	1" NUT		02
84	0521013704	PIN FREE HEAR		02
85	0503031479	STAPLE		02
86	0503013171	SEALING		01
87	0503018438	1" WRENCH CYLINDRICAL HEX		01

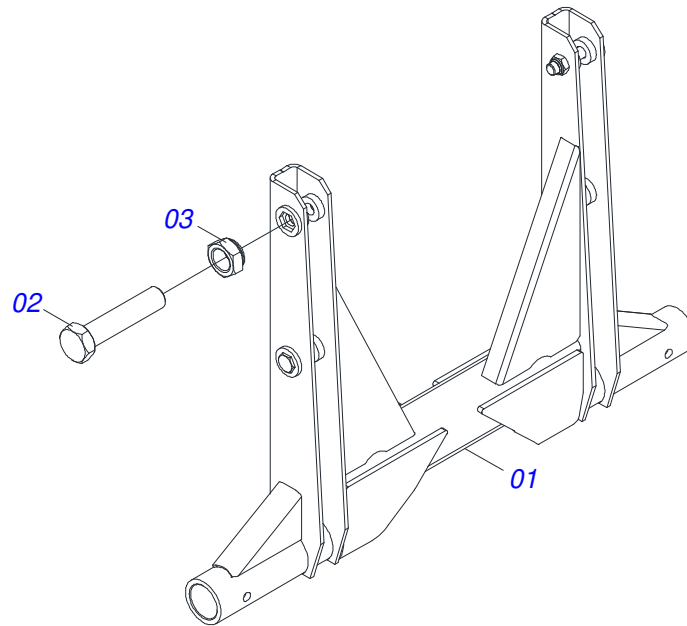
ASSY FRAME

0909092016

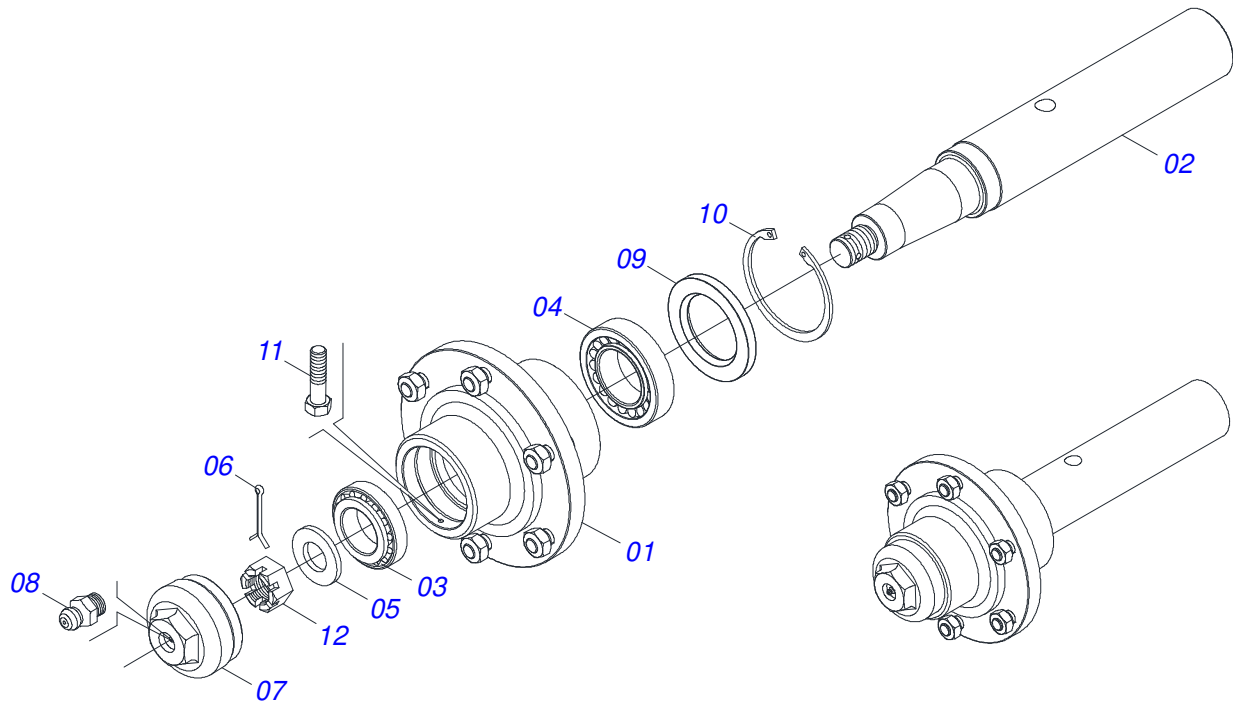
Item	Code	Description	See page	QT
88	0909092364	ASSY DISC SECTION	12	18



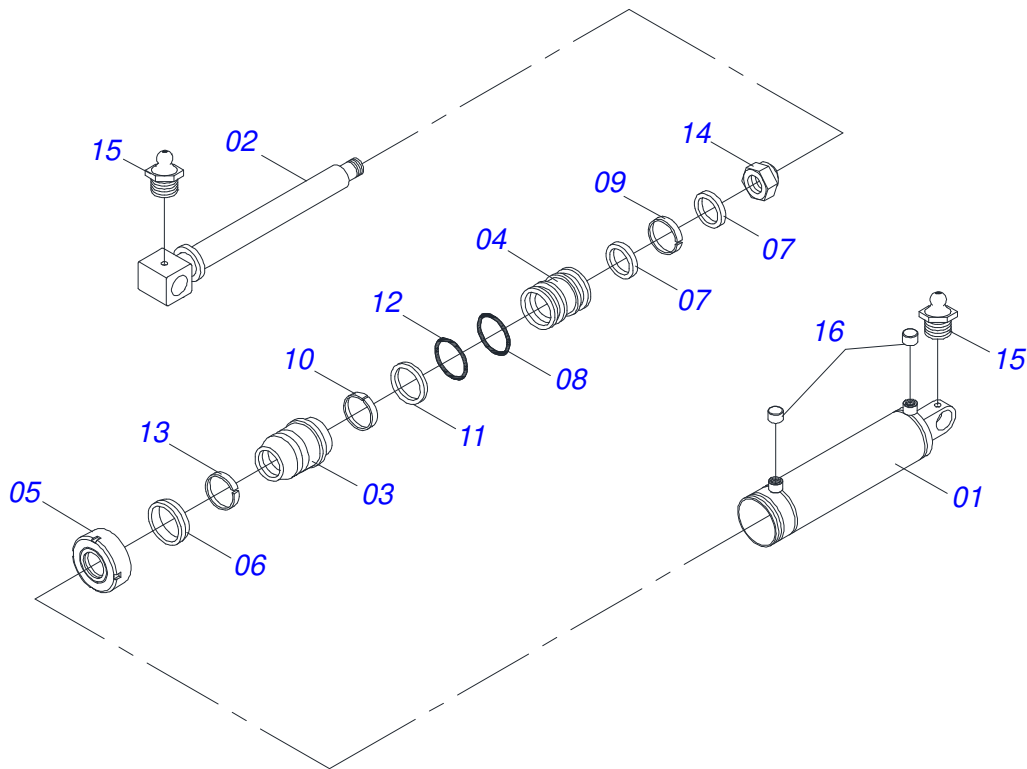
Item	Code	Description	See page	QT
01	0511062252	101,6 X 418 CYLINDER CASE		01
02	0511062250	53,98 X 509 TURNBUCLE		01
03	0502010017	4" HEAD		01
04	0502011250	RING OF SUPPORT		01
05	0503010319	D-2125 SCRAPER		01
06	0503010314	GASKET		01
07	0503010973	W2-2500-500 PK O'RING G.E		01
08	0503011061	8-342 BACK-UP RING		01
09	0503010338	2-342 N 3006-9B O'RING		01
10	0503010345	2-218 N 3006-9B O'RING		01
11	0502011969	53,98 X 101,60 PISTON		01
12	0503010043	PACKING 3750-3250		02
13	0503010994	W2-4000-500 PK RING G.E		01
14	0503010817	1.1/4" SELF LOCKING NUT		01
15	0503010002	1800 GREASE FITTING		02
16	0503030384	CON PLUG N-001		02



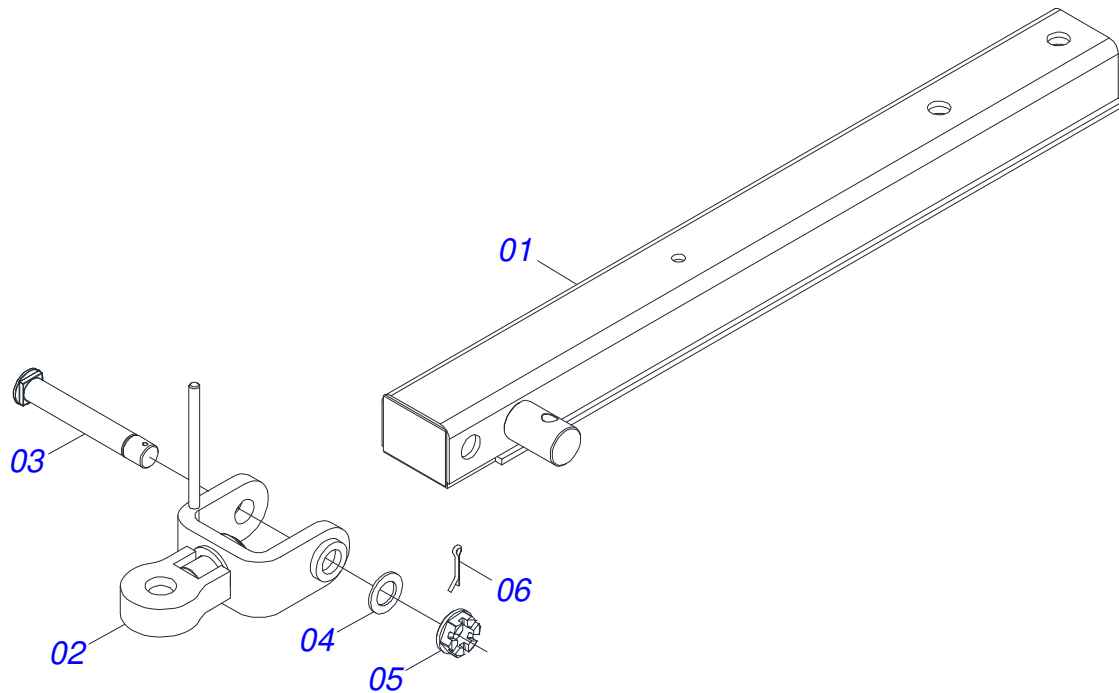
Item	Code	Description	See page	QT
01	0511068626	ASSEMBLY CARRYING-WHEELS		01
02	0501011547	1" X 4-1/2" BOLT		04
03	0503014182	SELF-ADJUSTING NUT		04



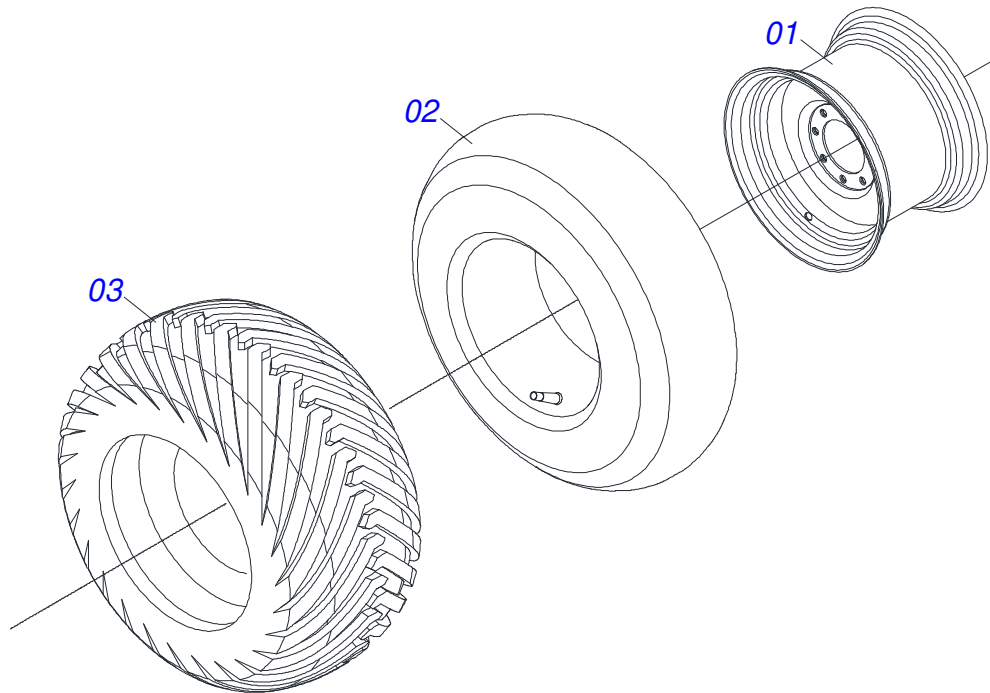
Item	Code	Description	See page	QT
01	0501110766	HUB CARRYING WHEELS WITH BOLT		01
02	0541014720	CR 7076205/1/1 AXLE		01
03	0503010006	32210 ROLLER BEARING		01
04	0503010005	32212 ROLLER BEARING		01
05	0501010086	FLAT WASHER		01
06	0503010067	3/16" X 2.1/2" COTTER PIN		01
07	0502011647	COVER		01
08	0503010691	1/4" GREASE FITTING		01
09	0503010009	RETAINER 00573-B		01
10	0503012723	502115 RENO RING		01
11	0503010298	1/4" X 1/2" BOLT		01
12	0503012457	UNF 1.1/4" CASTLE NUT		01



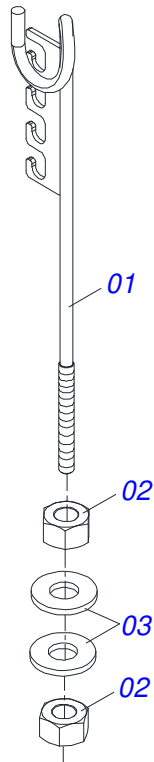
Item	Code	Description	See page	QT
01	0511068637	CYLINDER CASE		01
02	0501077351	TURNBUCKLE		01
03	0502011250	RING OF SUPPORT		01
04	0502011969	53,98 X 101,60 PISTON		01
05	0502010017	4" HEAD		01
06	0503010319	D-2125 SCRAPER		01
07	0503010043	PACKING 3750-3250		02
08	0503010345	2-218 N 3006-9B O'RING		01
09	0503010994	W2-4000-500 PK RING G.E		01
10	0503010973	W2-2500-500 PK O'RING G.E		01
11	0503010338	2-342 N 3006-9B O'RING		01
12	0503011061	8-342 BACK-UP RING		01
13	0503010314	GASKET		01
14	0503010817	1.1/4" SELF LOCKING NUT		01
15	0503010002	1800 GREASE FITTING		02
16	0503030384	CON PLUG N-001		02



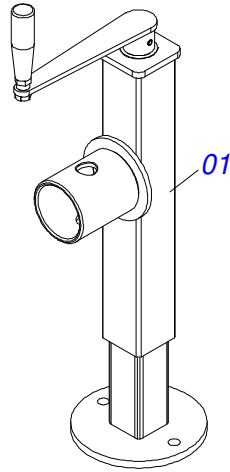
Item	Code	Description	See page	QT
01	0511060119	HARNESS		01
02	0521062956	HITCH		01
03	0561018588	COUPLING SHAFT		01
04	0501011301	1.1/2 UNC 6FPP 2.5/16 NUT		01
05	0501012916	FLAT WASHER 38,50 X 66 X 4,75 ZN		01
06	0503010010	1/4" X 2.1/2" COTTERPIN		01



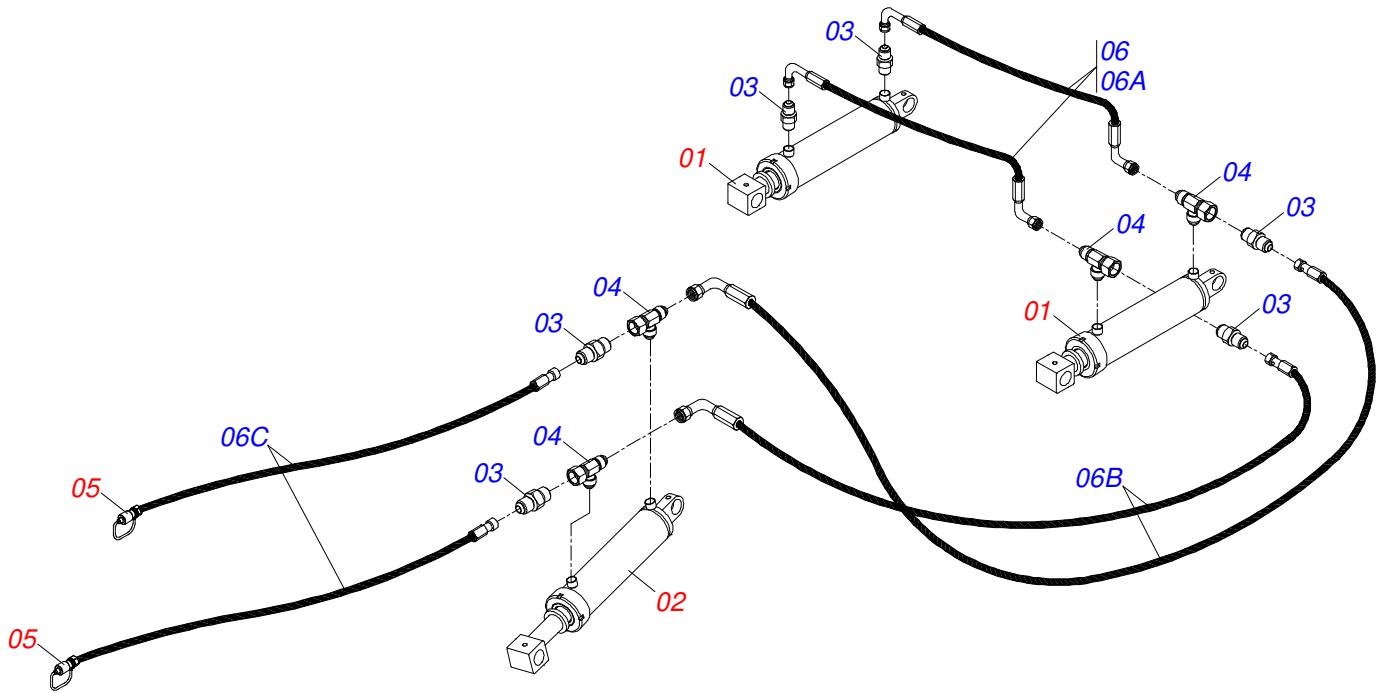
Item	Code	Description	See page	QT
01	0503012916	W-13 X 16,5 HOOP WHEEL		01
02	0503012112	400/60 - 15.5 TR 15 INNER TIRE		01
03	0503013119	CANVAS TIRE		01



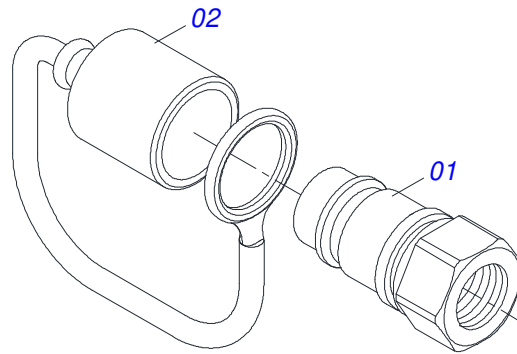
Item	Code	Description	See page	QT
01	0511067334	HOSE SOPPORT ASSY		01
02	0503010014	3/4" NUT		02
03	0501010322	FLAT WASHER		02



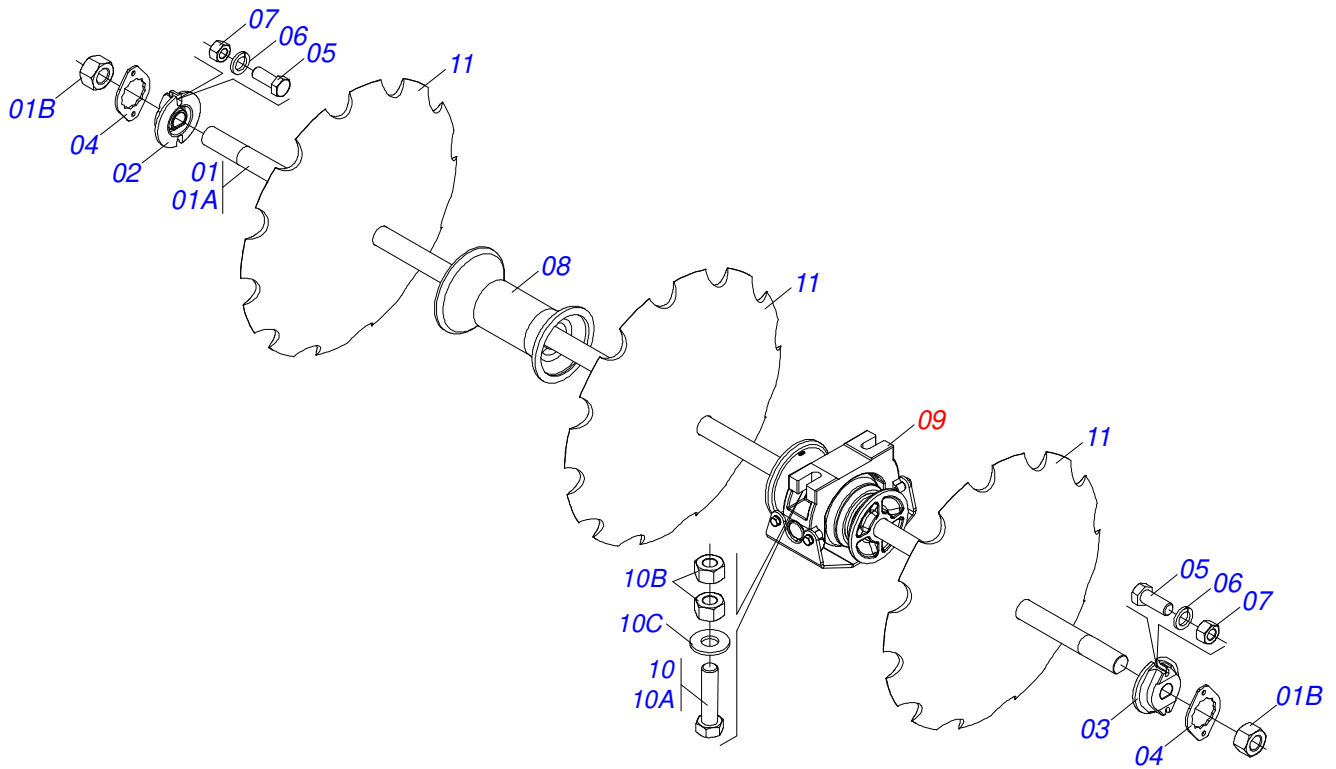
Item	Code	Description	See page	QT
01	0503062227	DRAWBAR JACK		01



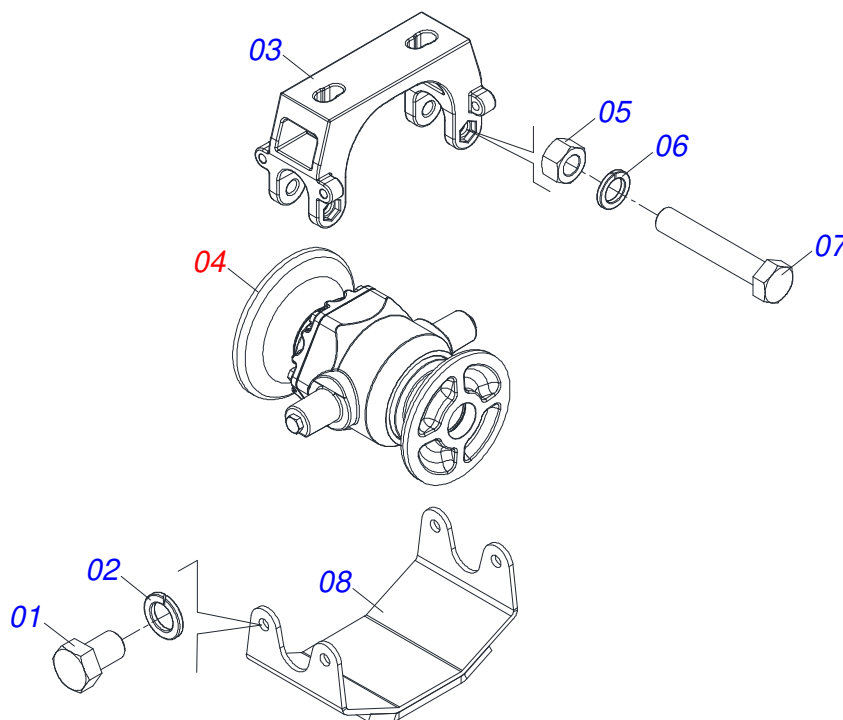
Item	Code	Description	See page	QT
01	0501048562	HYDRAULIC CYLINDER 53,98X101,6X630X300	2	02
02	0511045870	HYDRAULIC CYLINDER 101,6 X 53,68 X 520 X 200	5	01
03	0551012528	ADAPTER (GND)		06
04	0503011968	3/4" 8R6X-S T ADAPTER WITH SWIVEL NUT		04
05	0501053834	MALE QUICK COUPLER	11	02
06	0501058070	HOSE KIT		02
06A	0501080522	3/8 X 700 TC-TC HOSE ASSY		02
06B	0501080390	3/8" X 150" TR-TC HOSE ASSY		02
06C	0501080510	HOSE 3/8 X 3500 TR-TM		02



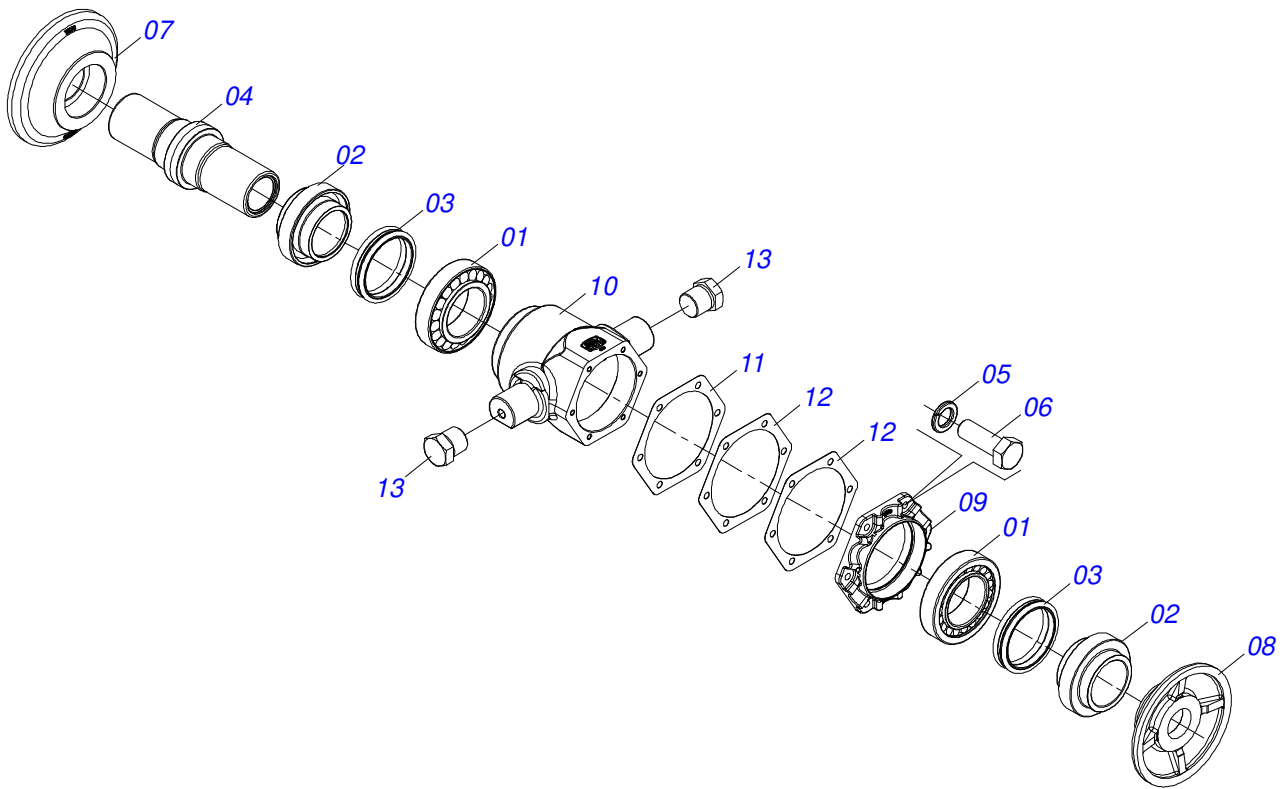
Item	Code	Description	See page	QT
01	0503011627	MALE QUICK COUPLER AGR 1/2 NPT		01
02	0503011882	MALE QUICK COUPLER CAP		01



Item	Code	Description	See page	QT
01	0531041580	2.1/8 X 1322 SHAFT WITH NUTS		04
01A	0501210542	AXIS 2.1/8 X 1322		01
01B	0502040063	2.1/8" X 54 99 NUT		02
02	0502010595	2-1/8" INNER AXLE WASHER		04
03	0502010594	2-1/8" EXTERNAL AXLE WASHER		04
04	0541010368	NUT LOCK		08
05	0503010232	5/8" X 1.3/4" BOLT		16
06	0503010027	5/8" SPRING WASHER		16
07	0503010013	5/8" NUT		16
08	0502040928	SEPARATOR		06
09	0531041578	AGRICULTURAL BEARING DM OL 360 X 2.1/8 13 SWINGING WITH SUPPORT		08
10	0531041581	1 X 4 SCREW ASSEMBLY SWING BEARING		16
10A	0503011432	BOLT		01
10B	0501010059	1.5/8 NUT		02
10C	0541010210	FLAT WASHER		01
11	0602046009	34 X 9 MM NOTCHED DISC		18



Item	Code	Description	See page	QT
01	0503010834	1/2 X 1 BOLT		04
02	0503010019	1/2" SPRING WASHER		04
03	0502013011	360 OSCILLATING BEARING SUPPORT (CENTRAL)		01
04	0531052835	AGRICULTURAL BEARING DM OL 360 X 2.1/8 14 SWING		01
05	0503010013	5/8" NUT		02
06	0503010027	5/8" SPRING WASHER		02
07	0503010480	5/8" X 4.3/4" BOLT		02
08	0501210530	SWING BEARING COVER		01



Item	Code	Description	See page	QT
01	0503010117	32216 ROLLER BEARING		02
02	0502040123	SEAL RETAINER		02
03	0503030028	JB-257 SEAL		02
04	0502040034	BEARING AXLE		01
05	0503011443	3/8" SPRING WASHER		06
06	0503010751	C3/8" X 1.1/4" HEX BOLT G.5		06
07	0501211750	EXTERNAL DISC BACKREST 2.1/8		01
08	0501211749	INTERNAL BACKREST DISC 2.1/8		01
09	0502012772	BEARING COVER		01
10	0502013012	OSCILLATING AGRICULTURAL BEARING BOX 2.1/8		01
11	0503034044	JOINT		01
12	0503034045	JOINT		02
13	0503010856	OIL PLUG		02
14	3402301275	TATU OIL		0.6Lt



civemasa

Technical Publications | Elaboration and Revision

ALESSANDRA PATRICIA KAWAHARA CARRILI

www.civemasa.com.br

