

FURROWER

SATP 1200 HD

Code: 0501093108

Series: S-0819

Revision: 00

Revision Date: MARÇO/2022

PARTS CATALOGUE

CIVEMASA

A solid orange horizontal bar located at the top left of the page.

PRODUCTS

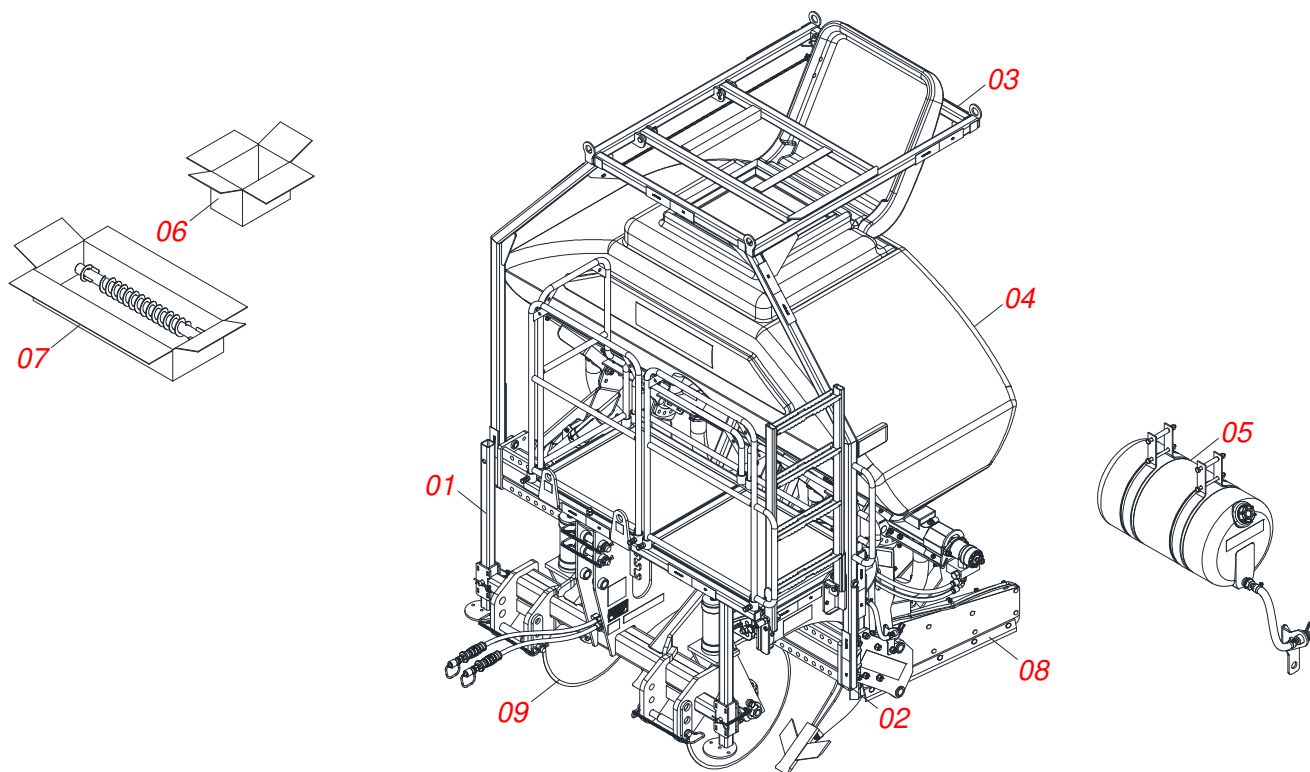
Code	Description
0120850125	SATP 1200 2L 2H 0,9/1,8 S-0819
0120850123	SATP 1200 2L 2H DC 0,9/1,8 KRFS SAR S-0819
0120850124	SATP 1200 2L 2H DC 0,9/1,8 S-0819

ATTENTION: IMPORTANT

CIVEMASA reserves the right to improve and/or modify the technical features of its products, without obligation to do the same with those products already sold and without prior knowledge of the dealer or the consumer. The photos are only illustrative.

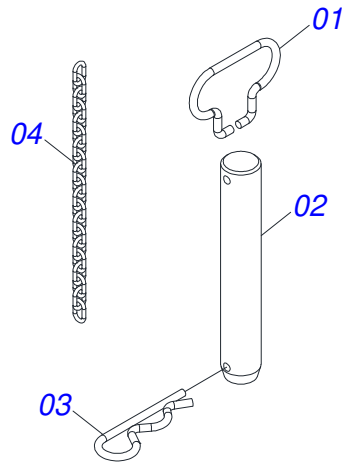
INDEX

0909096133	ASSY FRAME	1
0521056604	SEMIFINISHED FRAME	2
0521056606	AXLE 31,75 X EC 180	3
0521056605	COMPLETE OFFSET REST	4
0521056609	FULL REAR REST	5
0521056602	ASSY PLATFORM	6
0521056603	COMPLETE MOBILE LADDER	7
0521056595	COMPLETE SUPPLY SUPPORT	8
0521056596	BOX FERTILIZER	9
0521054622	BEAN ASSY SUPPORT	10
0521056598	SUPPORT BEAN ASSY	11
0501053834	MALE QUICK COUPLER	12
0521056597	LEFT/RIGHT SILO THREAD DISTRIBUTOR ASSEMBLY	13
0521056615	HOSE KIT	14
0521056624	SEMI-ASSEMBLED FERTILIZER BOX	15
0521054716	ASSY DISPLAY	16
0531053923	COMPLETE FERTILIZER BOX WITHOUT HANDLE	17
0521056594	WATER RESERVOIR ASSY	18
0511022307	BOX WITH 02 POINTS	19
0521025843	BOX WITH LEFT/RIGHT CONDUCTOR KIT	20
0521049589	FURROWER ARM WITH PROTECTION	21
0531054237	FURROWER ARM WITHOUT PROTECTION	22
0521049591	DC 26 ASSY	23
0521056601	DC 26 SEMI MOUNTED	24
0501052395	26 CUTTING DISK WITH BOX	25
0501057526	DISC HUB	26

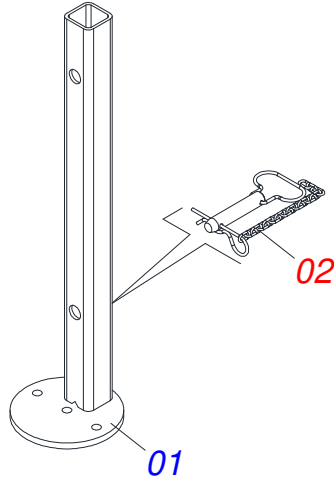


Item	Code	Description	See page	QT
01	0521056604	SEMIFINISHED FRAME	2	01
02	0521056602	ASSY PLATFORM	6	01
03	0521056595	COMPLETE SUPPLY SUPPORT	8	01
04	0521056596	BOX FERTILIZER	9	01
04.	0531053923	COMPLETE FERTILIZER BOX WITHOUT HANDLE	17	01
05	0521056594	WATER RESERVOIR ASSY	18	01
06	0511022307	BOX WITH 02 POINTS	19	01
07	0521025843	BOX WITH LEFT/RIGHT CONDUCTOR KIT	20	01
08	0521049589	FURROWER ARM WITH PROTECTION	21	02
08.	0531054237	FURROWER ARM WITHOUT PROTECTION	22	02
09	0521049591	DC 26 ASSY	23	02

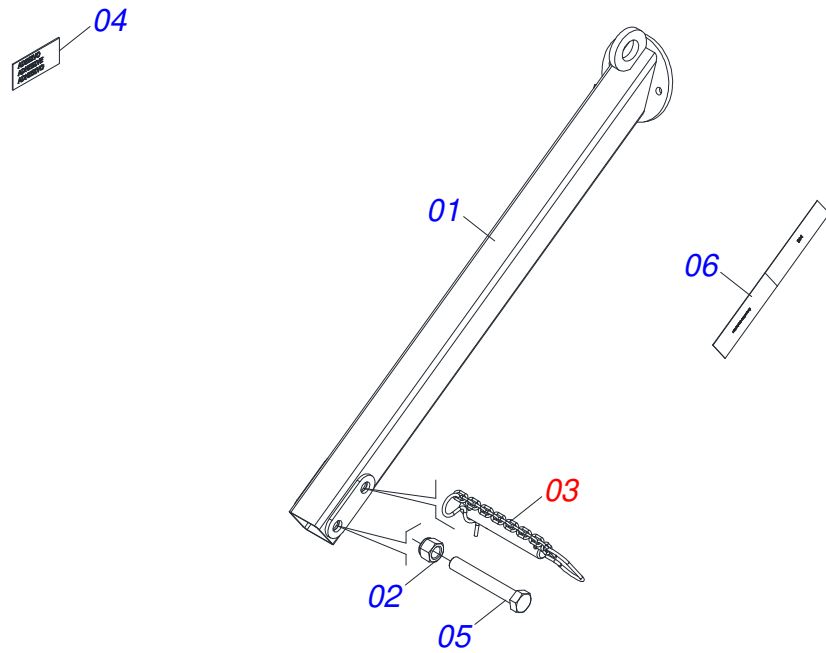
Item	Code	Description	See page	QT
31	0503034816	BADGE		01
32	0521056605	COMPLETE OFFSET REST	4	02
33	0521056609	FULL REAR REST	5	01
34	0503031739	ADHESIVE LABEL		01



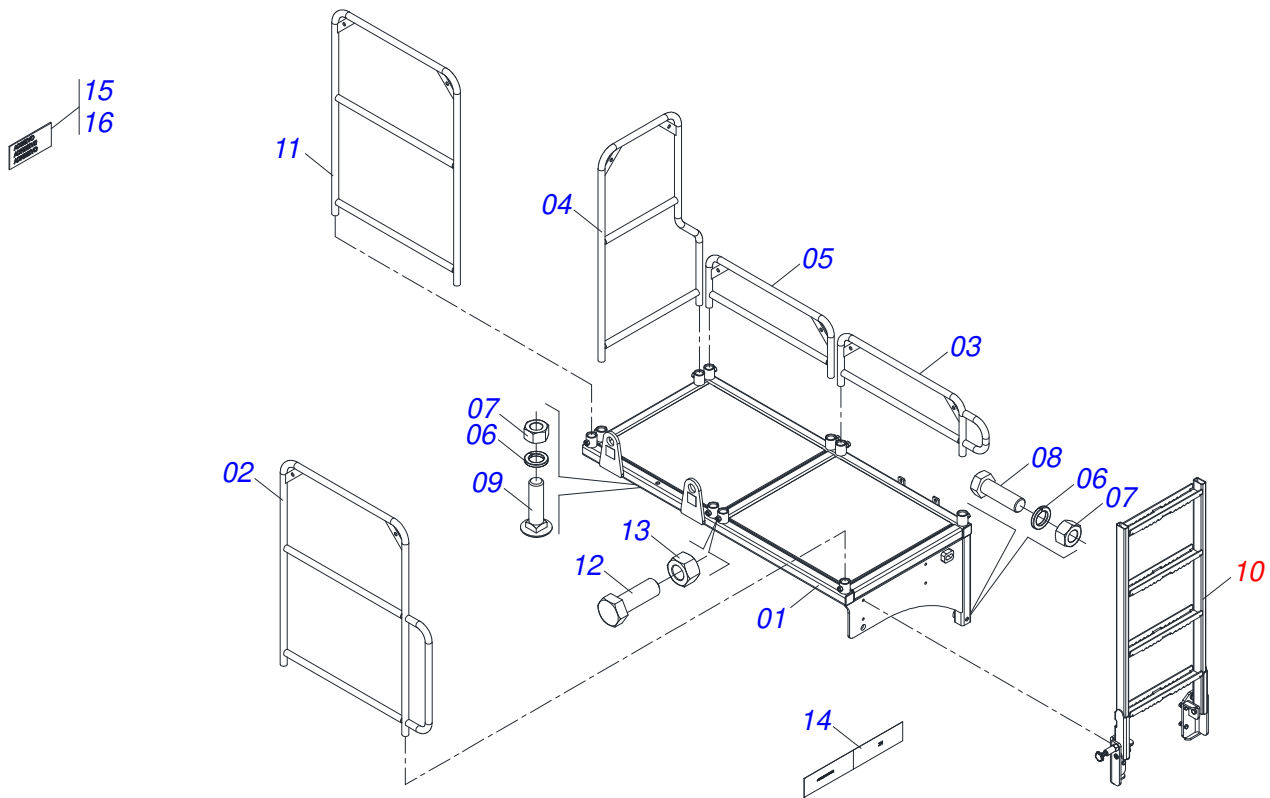
Item	Code	Description	See page	QT
01	0503034755	HANDLE PIN HITCH		01
02	0591011275	AXLE 31,75 X 205 X EC 180 FR 7,14		01
03	0503031035	HAIR PIN		01
04	0503034973	CURRENT		01



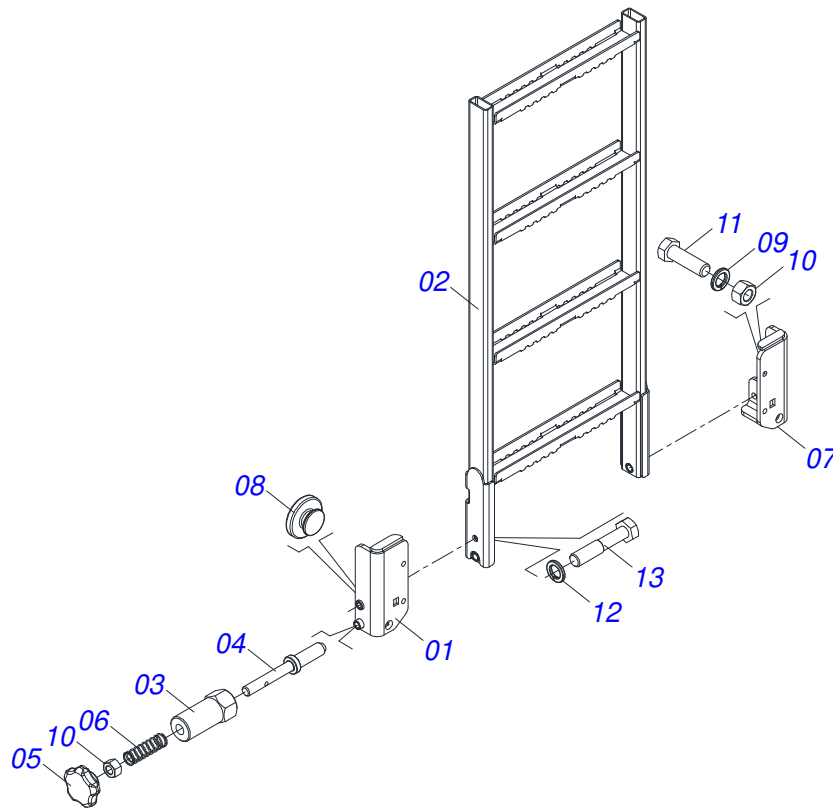
Item	Code	Description	See page	QT
01	0531060229	OFFSET REST		01
02	0521054631	AXIS 27,80 X EC 98 ASSY		01



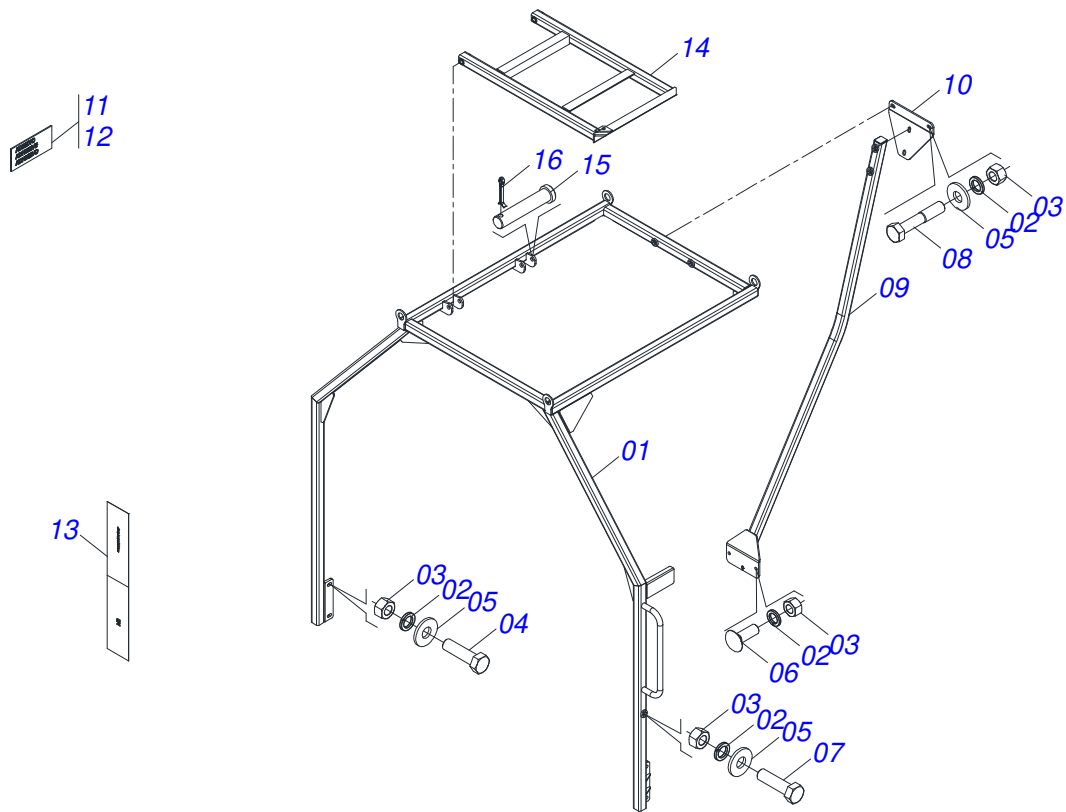
Item	Code	Description	See page	QT
01	0531060234	BACK REST		01
02	0503010152	3/4" SELF LOCKING NUT		01
03	0521056610	AXLE		01
04	0503034078	LIFTING POINTS DECAL		02
05	0503011084	3/4" X 5" BOLT		01
06	0503013229	REFLECTIVE SIDE BAND		03



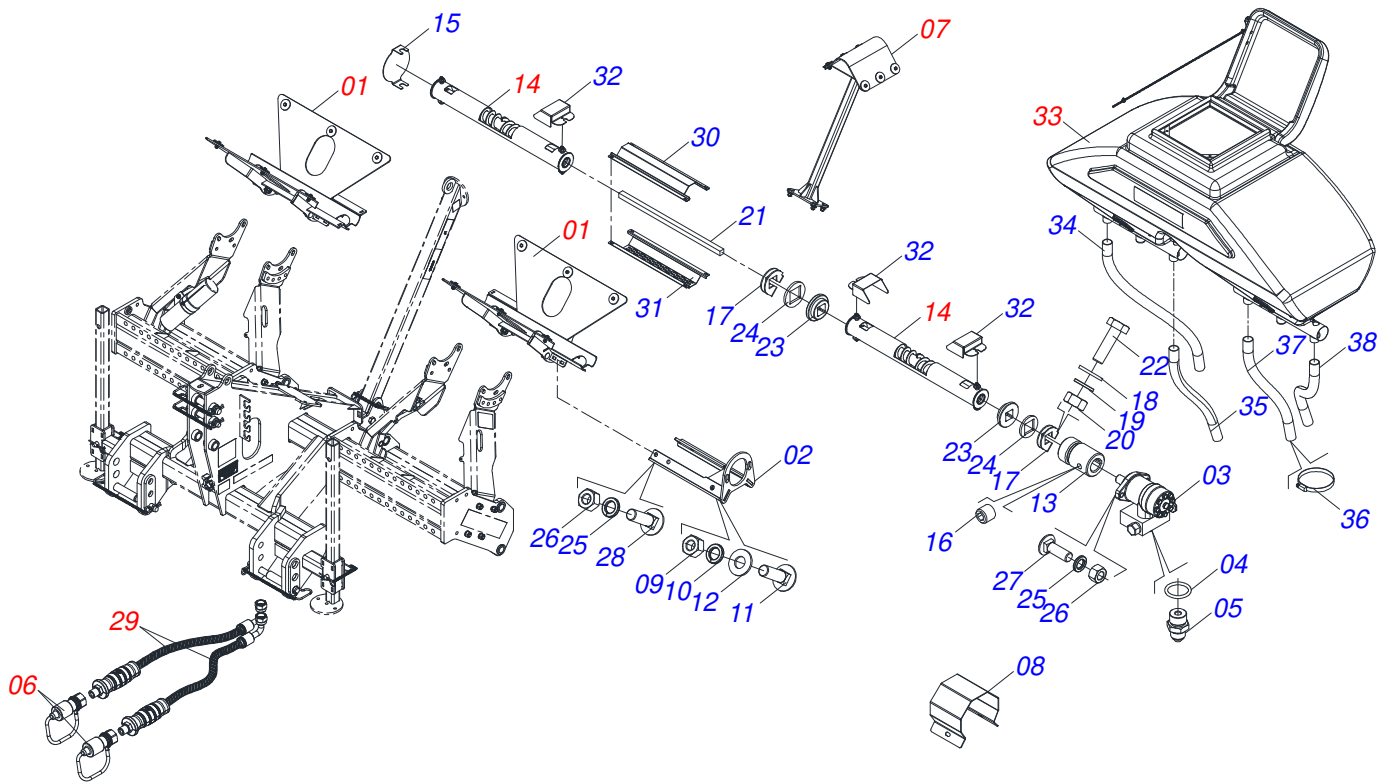
Item	Code	Description	See page	QT
01	0531060225	PLATFORM		01
02	0531060221	FRONT HANDRAIL WITH HANDLE		01
03	0531060224	REAR HANDRAIL WITH HANDRAIL		01
04	0531060220	SIDE HANDRAIL		01
05	0531060223	HANDRAIL REAR		01
06	0503010027	5/8" SPRING WASHER		03
07	0503010013	5/8" NUT		03
08	0501011027	5/8" X 3-3/4" BOLT		02
09	0503015017	5/8" X BOLT		01
10	0521056603	COMPLETE MOBILE LADDER	7	01
11	0531060222	FRONT HANDRAIL		01
12	0503030678	BOLT 1/2 UNC X 1.1/2 CSPC G.5 ZN		10
13	0503010060	1/2" NUT		10
14	0503013229	REFLECTIVE SIDE BAND		06
15	0503031565	ADHESIVE LABEL CARE		01
16	0503034078	LIFTING POINTS DECAL		02



Item	Code	Description	See page	QT
01	0531060226	LEFT STAIR FIXATION SUPPORT		01
02	0531060228	MOBILE LADDER		01
03	0581016319	TRIGGER CARTRIDGE		01
04	0591011307	LADDER LOCK PIN		01
05	0503010293	BAQUELITE MANIPULACION		01
06	0503034639	SPRING		01
07	0531060227	RIGHT STAIR FIXATION SUPPORT		01
08	0503032594	30 X 13 X 19 PLUG		02
09	0503010025	3/8" SPRING WASHER		04
10	0503010026	3/8" NUT		05
11	0503010751	C3/8" X 1.1/4" HEX BOLT G.5		04
12	0503010019	1/2" SPRING WASHER		02
13	0503011172	BOLT 1/2 UNC X 2.1/2 C S G.5 ZN		02

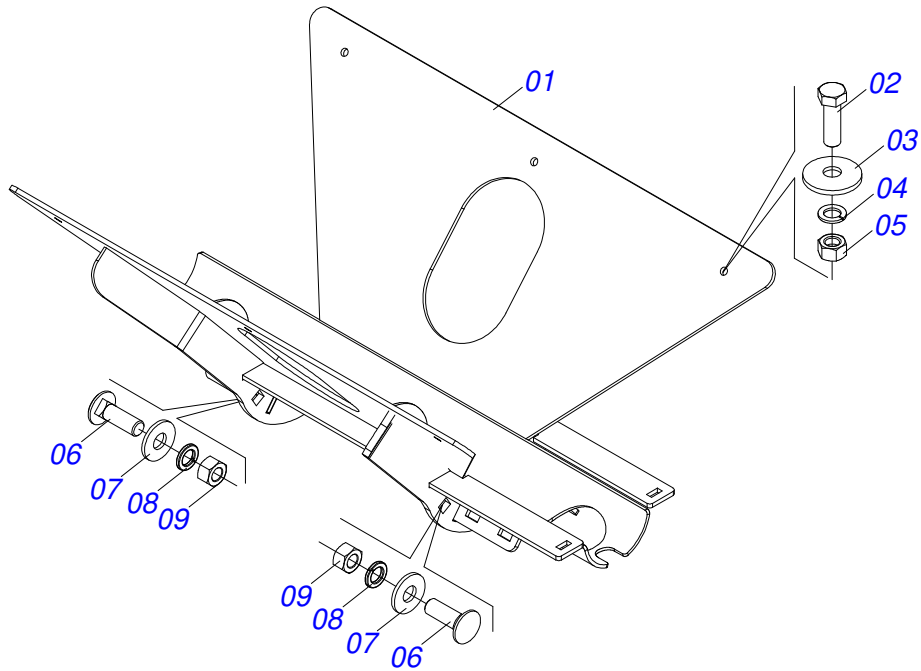


Item	Code	Description	See page	QT
01	0531060215	SUPPORT BAG		01
02	0503010027	5/8" SPRING WASHER		11
03	0503010013	5/8" NUT		11
04	0503010899	5/8" X 2-1/4" BOLT		04
05	0501012140	FLAT WASHER		09
06	0503013842	5/8" UNC X 1-3/4" BOLT		02
07	0501011543	5/8" X 4" BOLT		01
08	0503013019	BOLT 5/8 UNC X 3.1/4 C S G.5 ZN		04
09	0531060216	REAR FRENCH HAND		01
10	0591011221	REAR FRENCH UNION PLATE		01
11	0503032536	ADHESIVE LABEL		01
12	0503034078	LIFTING POINTS DECAL		04
13	0503013229	REFLECTIVE SIDE BAND		13
14	0531060217	BIG BAG MOBILE SUPPORT		01
15	0571015212	COUPLING SHAFT		02
16	0503010577	3/16" X 1-1/4" COTTERPIN		02

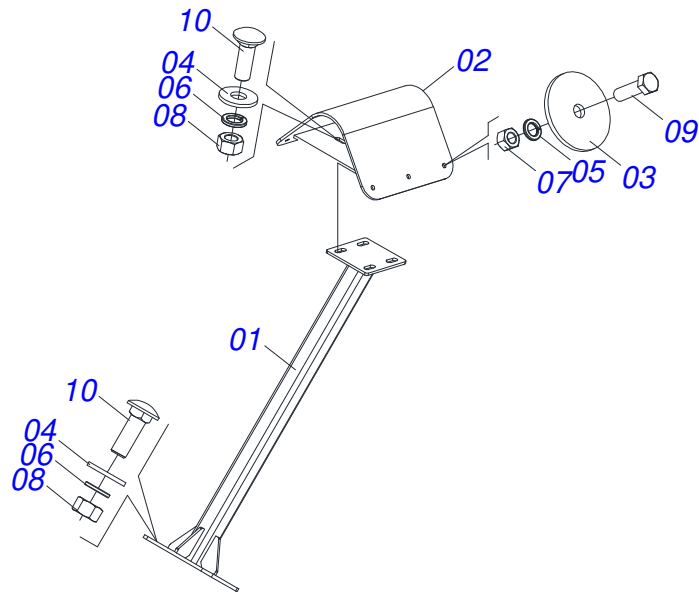


Item	Code	Description	See page	QT
01	0521054622	BEAN ASSY SUPPORT	10	02
02	0521069449	MOTOR FIXING SUPPORT		01
03	0503012829	VALVE HYDRAULIC MOTOR ASSY		01
04	0503010045	O'RING		02
05	0511010111	7/8" NIPPLE		02
06	0501053834	MALE QUICK COUPLER	12	02
07	0521056598	SUPPORT BEAN ASSY	11	01
08	0581019046	ENGINE AXLE PROTECTION		01
09	0503010337	5/16" NUT		06
10	0503010179	LOCK WASHER		06
11	0503011953	5/16" X 1" BOLT		06
12	0501010694	FLAT WASHER		06
13	0501069662	MOTOR HYFRAULIC SLEEVE		01
14	0521056597	LEFT/RIGHT SILO THREAD DISTRIBUTOR ASSEMBLY	13	02
15	0581019023	PROTECTION CANNON FERTILIZER		01
16	0503011136	BOLT 1/2 UNC X 1/2 S C S I 12.9		01
17	0521010691	AXLE FASTENER		02
18	0511017303	FLAT WASHER		02
19	0503010143	1/4" SPRING WASHER		02
20	0503010144	1/4" NUT		02
21	0581019022	SQUARE AXLE 3/4 X 2275		01
22	0503010373	SCREW 1/4 UNC X 2 CS G.2 ZN		02
23	0503031527	AGRICULTURAL BEARING		02
24	0521018630	1.4" X SQUARE 0.8" WASHER		02
25	0503010019	1/2" SPRING WASHER		06
26	0503010060	1/2" NUT		06
27	0503014378	1/2" X 1-1/2" BOLT		02
28	0503014734	BOLT		04
29	0521056615	HOSE KIT	14	01
30	0581018980	AXIS CENTRAL PROTECTION		01
31	0591011243	LOWER AXLE CENTRAL PROTECTION		01

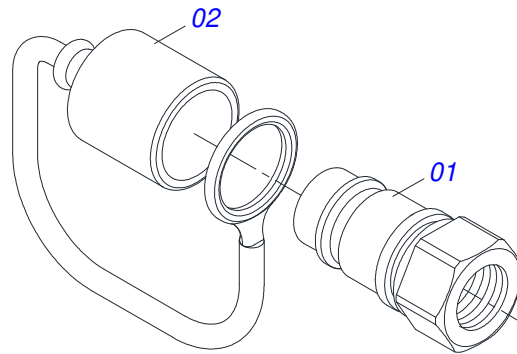
Item	Code	Description	See page	QT
32	0581019971	CONVEYOR THREAD PROTECTION		04
33	0521056624	SEMI-ASSEMBLED FERTILIZER BOX	15	01
34	0501082218	HOSE 2.1/2 X 1600 AB - AB		01
35	0501082218	HOSE 2.1/2 X 1600 AB - AB		01
36	0503011266	CLAMP 2.1/4" A 3" 57-76		04
37	0501082218	HOSE 2.1/2 X 1600 AB - AB		01
38	0501082218	HOSE 2.1/2 X 1600 AB - AB		01



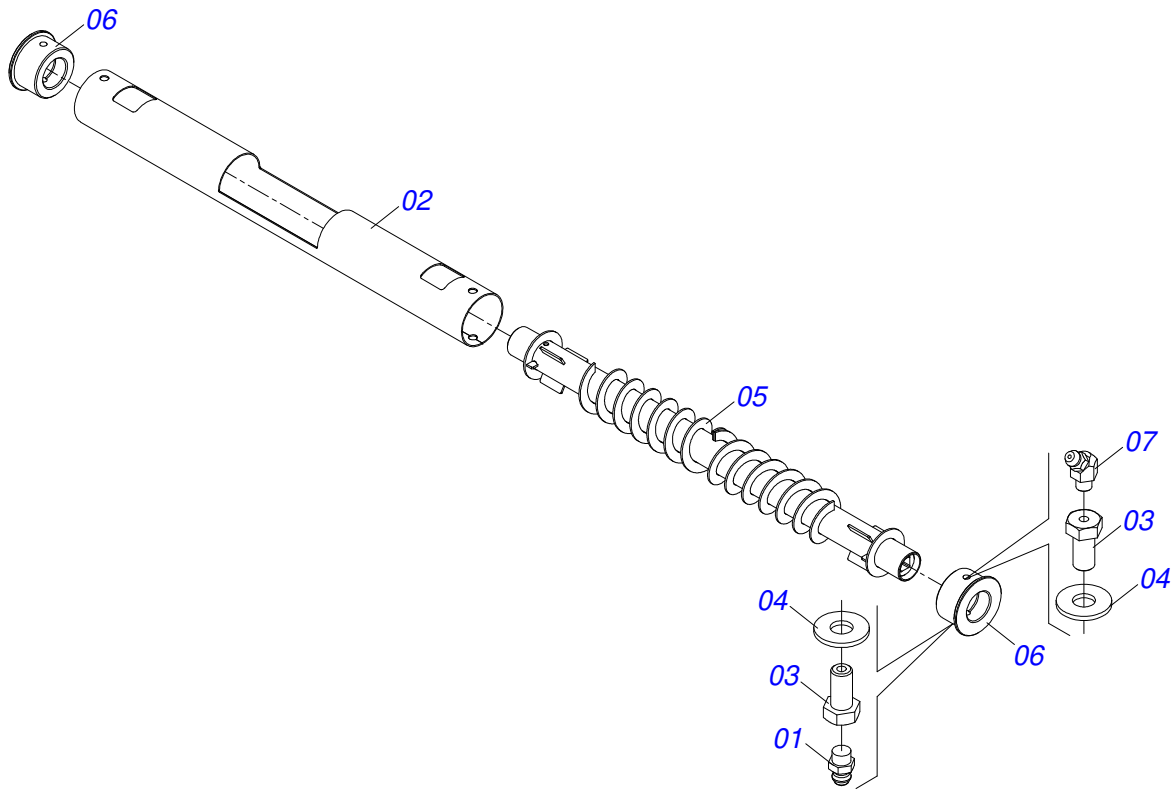
Item	Code	Description	See page	QT
01	0521069445	BEAM SUPPORT		01
02	0503013751	3/8 UNC X 1.1/4 BOLT		06
03	0571019051	FIXER BOX WASHER		06
04	0503010025	3/8" SPRING WASHER		06
05	0503010026	3/8" NUT		06
06	0503013842	5/8" UNC X 1-3/4" BOLT		06
07	0501012140	FLAT WASHER		06
08	0503010027	5/8" SPRING WASHER		06
09	0503010013	5/8" NUT		06



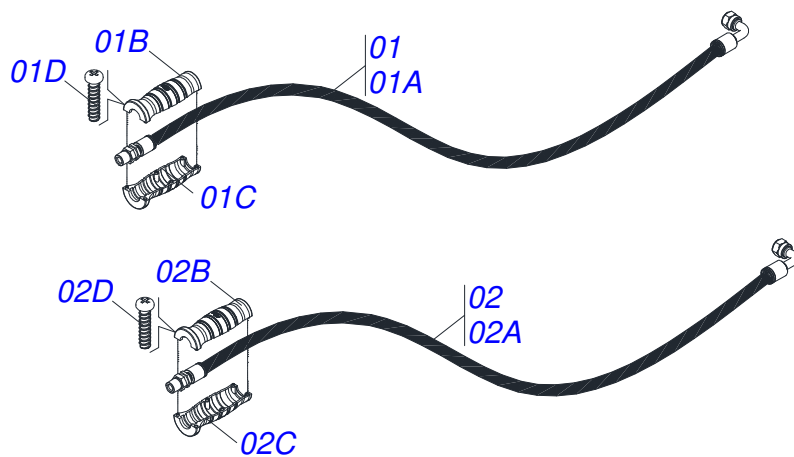
Item	Code	Description	See page	QT
01	0531060219	SILO SUPPORT ARM		01
02	0521069444	BASE SUPPORT BEAM		01
03	0571019051	FIXER BOX WASHER		06
04	0511017302	FLAT WASHER		08
05	0503010025	3/8" SPRING WASHER		06
06	0503010019	1/2" SPRING WASHER		08
07	0503010026	3/8" NUT		06
08	0503010060	1/2" NUT		08
09	0503013751	3/8 UNC X 1.1/4 BOLT		06
10	0503014378	1/2" X 1-1/2" BOLT		08



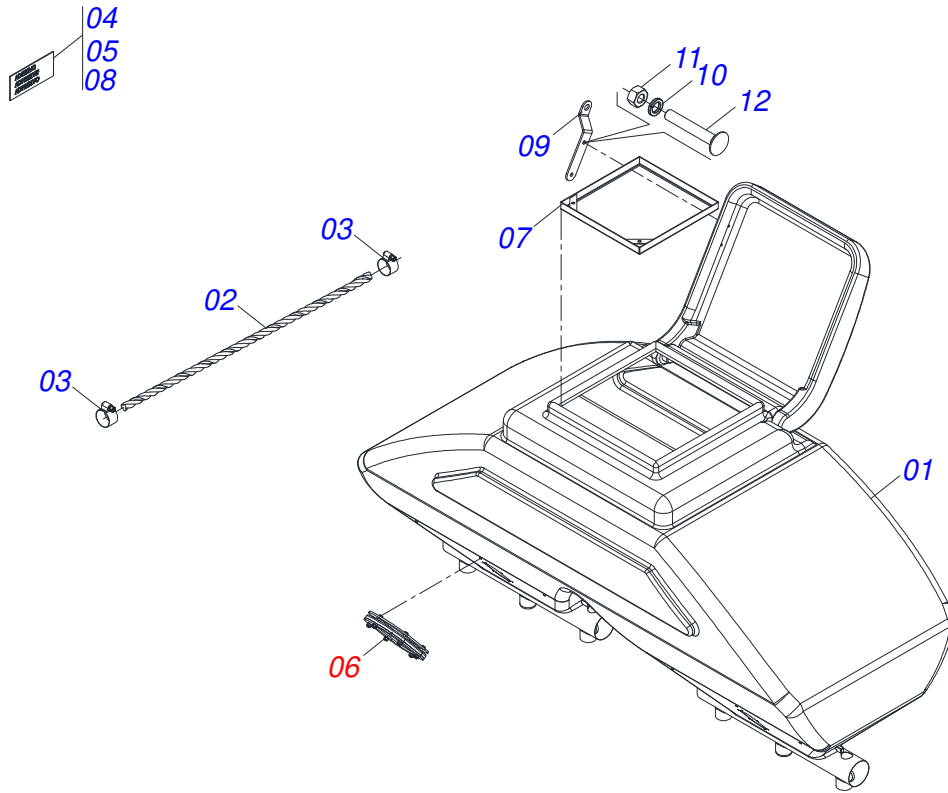
Item	Code	Description	See page	QT
01	0503011627	MALE QUICK COUPLER AGR 1/2 NPT		01
02	0503011882	MALE QUICK COUPLER CAP		01



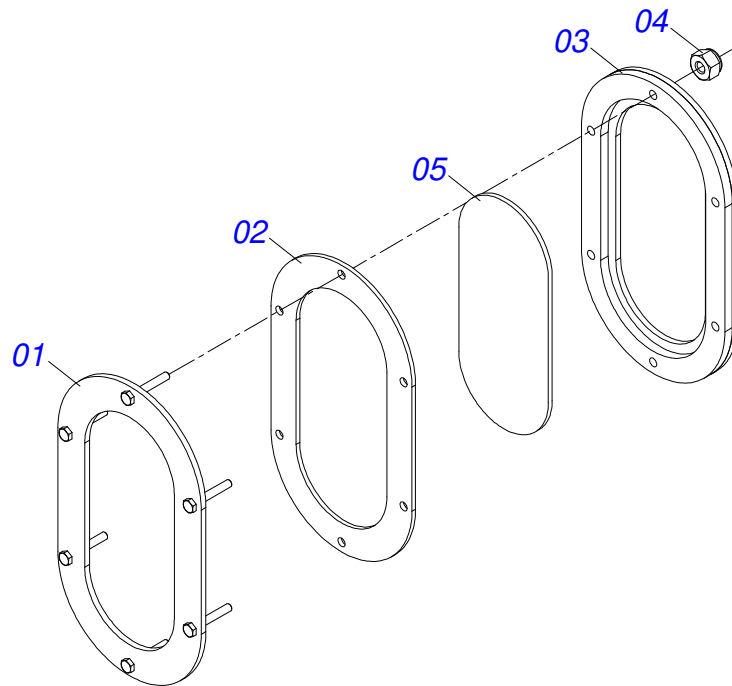
Item	Code	Description	See page	QT
01	0503010691	1/4" GREASE FITTING		02
02	0551015492	TUBE COATED		01
03	0541014215	BEARING BOLT		04
04	0511017302	FLAT WASHER		04
05	0511068620	FERTILIZER CONDUCTOR		01
06	0551015225	FERTILIZER CONDUCTOR BEARING		02
07	0503011099	GREASE FITTING		02



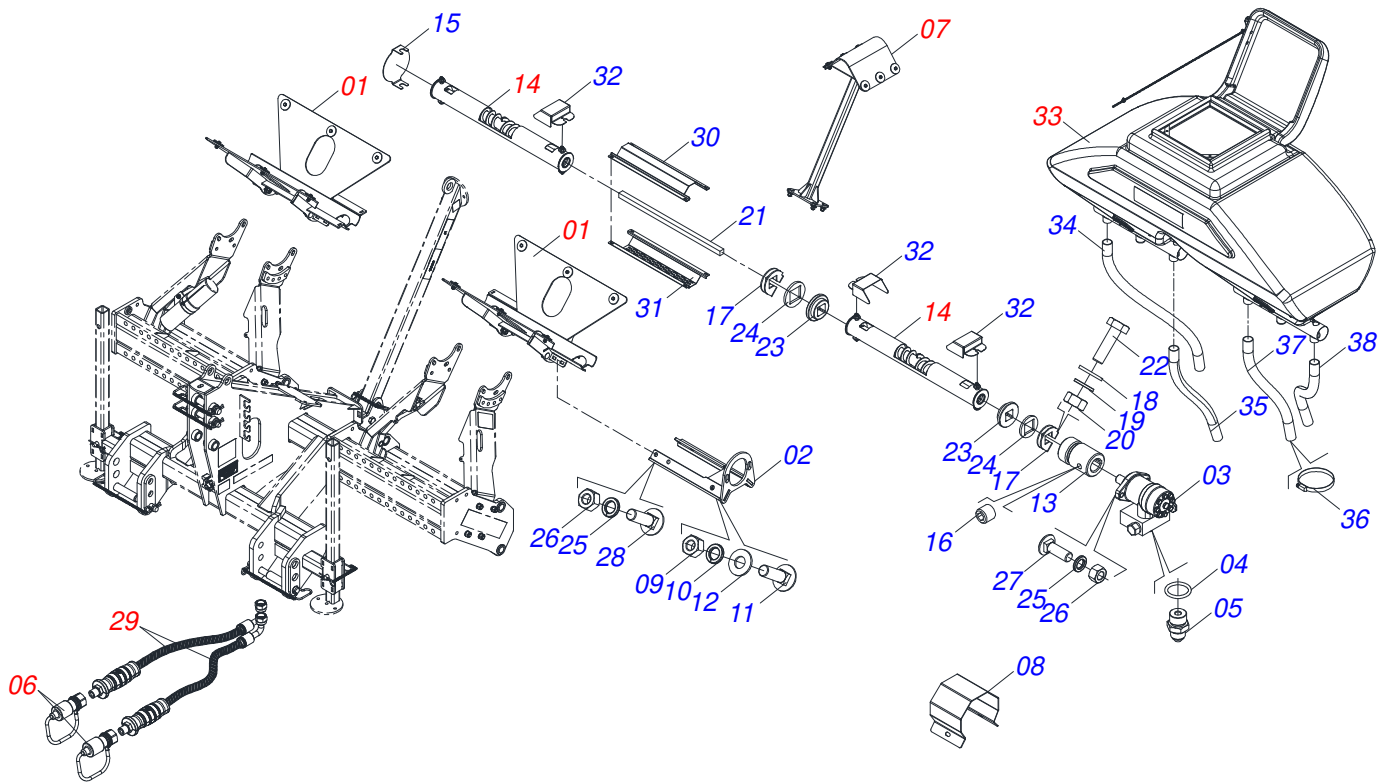
Item	Code	Description	See page	QT
01	0521056613	3/8 X 3500 TC-TM HOSE YELLOW / RED		01
01A	0501080365	HOSE 3/8 X 3500 TC-TM		01
01B	0503034493	HYDRAULIC HOSE DEPTH (YELLOW)		01
01C	0503034495	HYDRAULIC HOSE GRIP (RED)		01
01D	0503018952	PLASTIC BOLT		06
02	0521056614	HOSE 3/8 X 3500 TR-TM YELLOW / BLUE		01
02A	0501080365	HOSE 3/8 X 3500 TC-TM		01
02B	0503034493	HYDRAULIC HOSE DEPTH (YELLOW)		01
02C	0503034494	HYDRAULIC HOSE GRIP (BLUE)		01
02D	0503018952	PLASTIC BOLT		06



Item	Code	Description	See page	QT
01	0591011308	POLYETHYLENE BOX		01
02	0581019433	ROPE 3/8 X 1400		01
03	0503014255	14 X 22 CLAMP		02
04	0503033323	BADGE		01
05	0503033237	ADHESIVE LABEL		01
06	0521054716	ASSY DISPLAY	16	02
07	0531060218	FERTILIZER BOX SIEVE		01
08	0503032930	ADHESIVE LABEL DANGER		04
09	0581019434	HANDLE COVER		01
10	0503012534	LOCK WASHER		02
11	0503012530	5/16" INOX NUT		02
12	0503019350	SCREW 5/16 UNC X 2		02



Item	Code	Description	See page	QT
01	0521069461	INTERNAL FIXING RING DISPLAY		01
02	0503034802	RUBBER DISPLAY RING		01
03	0521069459	DISPLAY SUPPORT		01
04	0503015013	3/16 SELF ADJUSTING NUT NC 1K02881		06
05	0503033020	DISPLAY		01

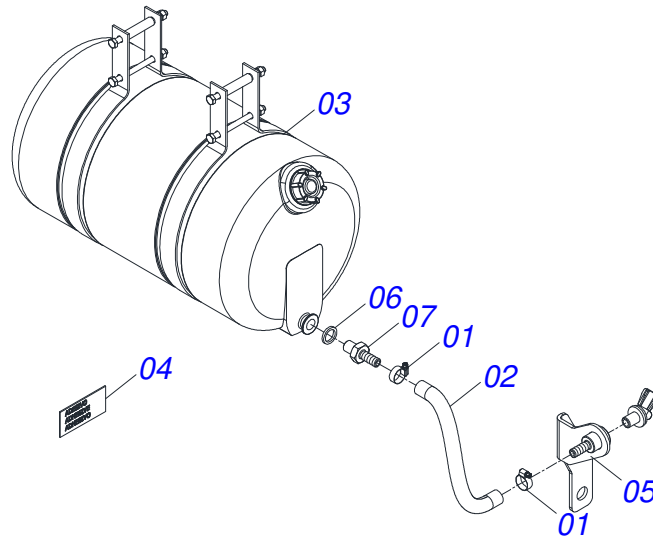


Item	Code	Description	See page	QT
01	0521054622	BEAN ASSY SUPPORT	10	02
02	0521069449	MOTOR FIXING SUPPORT		01
03	0503012829	VALVE HYDRAULIC MOTOR ASSY		01
04	0503010045	O'RING		02
05	0511010111	7/8" NIPPLE		02
06	0501053834	MALE QUICK COUPLER	12	02
07	0521056598	SUPPORT BEAN ASSY	11	01
08	0581019046	ENGINE AXLE PROTECTION		01
09	0503010337	5/16" NUT		06
10	0503010179	LOCK WASHER		06
11	0503011953	5/16" X 1" BOLT		06
12	0501010694	FLAT WASHER		06
13	0501069662	MOTOR HYFRAULIC SLEEVE		01
14	0521056597	LEFT/RIGHT SILO THREAD DISTRIBUTOR ASSEMBLY	13	02
15	0581019023	PROTECTION CANNON FERTILIZER		01
16	0503011136	BOLT 1/2 UNC X 1/2 S C S I 12.9		01
17	0521010691	AXLE FASTENER		02
18	0511017303	FLAT WASHER		02
19	0503010143	1/4" SPRING WASHER		02
20	0503010144	1/4" NUT		02
21	0581019022	SQUARE AXLE 3/4 X 2275		01
22	0503010373	SCREW 1/4 UNC X 2 CS G.2 ZN		02
23	0503031527	AGRICULTURAL BEARING		02
24	0521018630	1.4" X SQUARE 0.8" WASHER		02
25	0503010019	1/2" SPRING WASHER		06
26	0503010060	1/2" NUT		06
27	0503014378	1/2" X 1-1/2" BOLT		02
28	0503014734	BOLT		04
29	0521056615	HOSE KIT	14	01
30	0581018980	AXIS CENTRAL PROTECTION		01
31	0591011243	LOWER AXLE CENTRAL PROTECTION		01

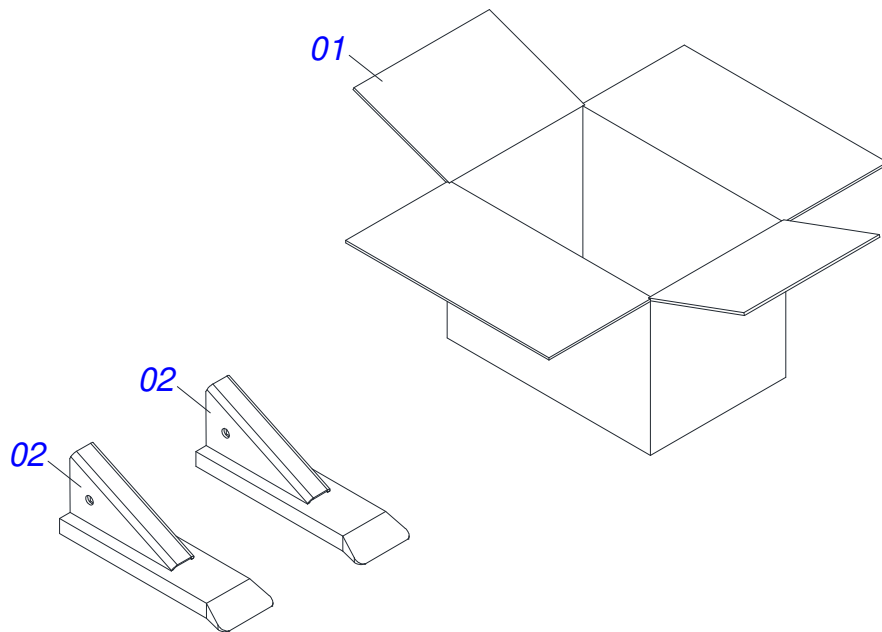
COMPLETE FERTILIZER BOX WITHOUT HANDLE

0531053923

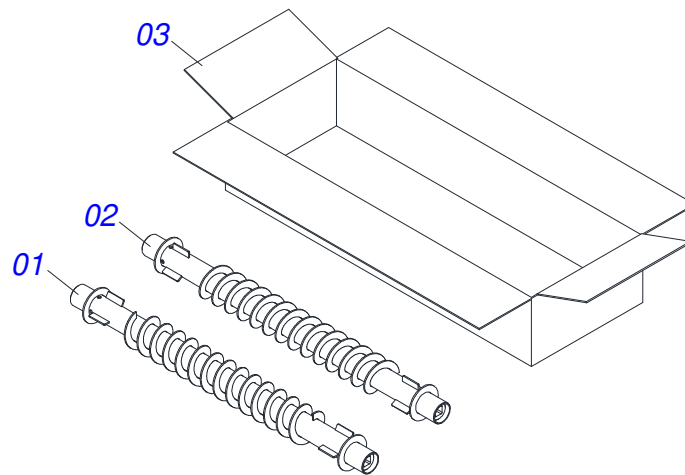
Item	Code	Description	See page	QT
32	0581019971	CONVEYOR THREAD PROTECTION		04
33	0531053924	SEMI-ASSEMBLED FERTILIZER BOX WITHOUT HANDLE		01
34	0501082219	HOSE 2.1/2 X 1430		01
35	0501082219	HOSE 2.1/2 X 1430		01
36	0503011266	CLAMP 2.1/4" A 3" 57-76		04
37	0501082219	HOSE 2.1/2 X 1430		01
38	0501082219	HOSE 2.1/2 X 1430		01



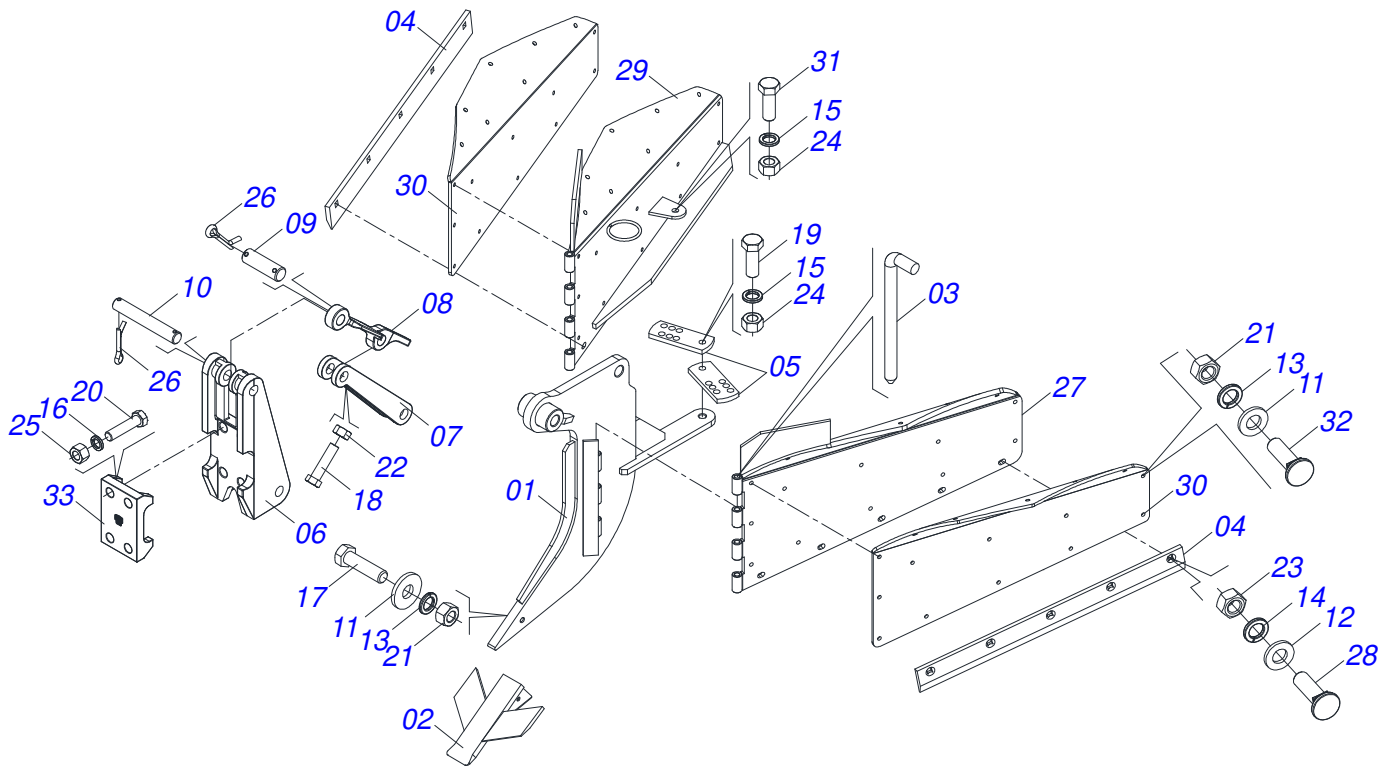
Item	Code	Description	See page	QT
01	0503010296	CLAMP		02
02	0561019867	HOSE 1/2 X 300 AB-AB		01
03	0503014820	COROTE BLACK WATER		01
04	0503032532	EMBLEM WATER NOT POTAVEL		01
05	0531060214	COMPLETE SUPPORT FOR TAPS		01
06	0503013976	GASKET		01
07	0591011218	NIPLE		01



Item	Code	Description	See page	QT
01	0503030589	BOX 300X200X200		01
02	0511067842	SUBSOLER TIP		02

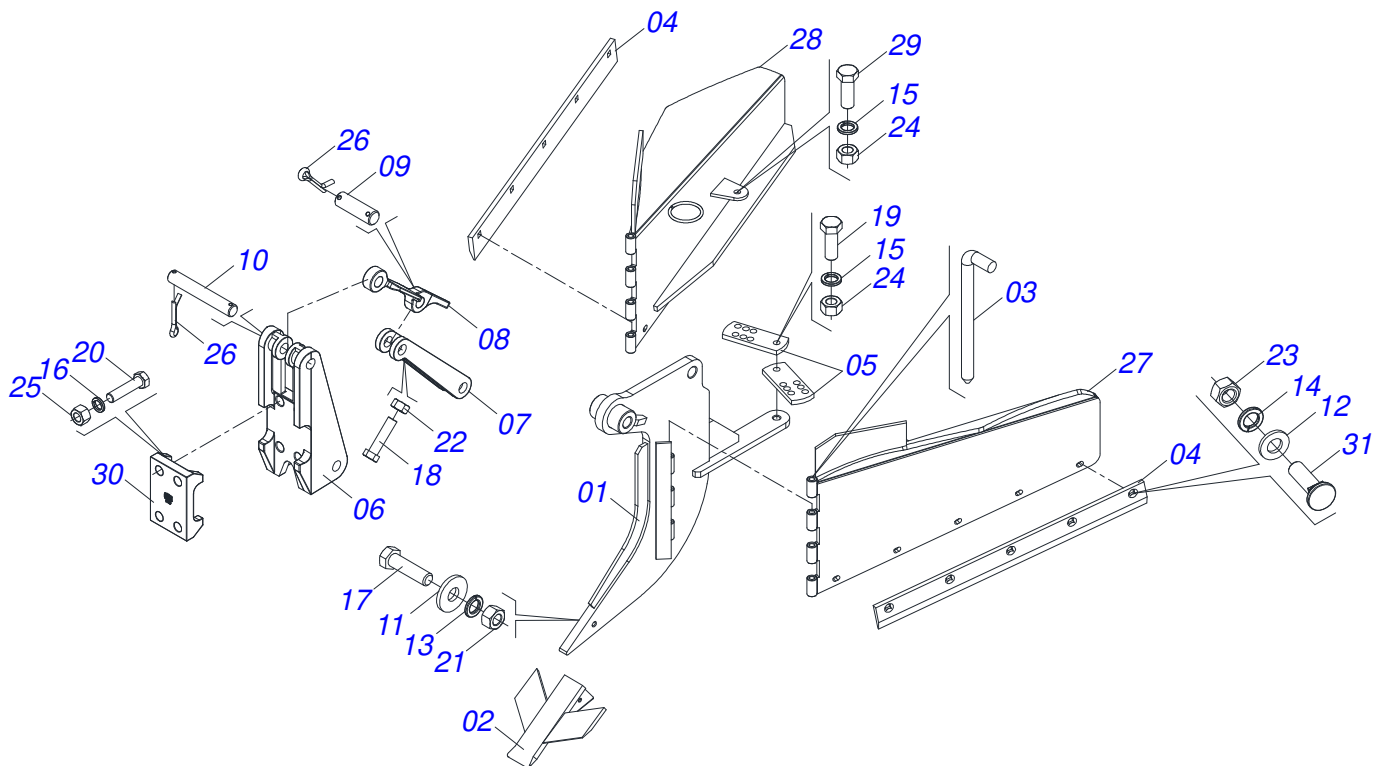


Item	Code	Description	See page	QT
01	0521069784	RIGHT FERTILIZER CONDUCTOR		01
02	0521069783	LEFT FERTILIZER CONDUCTOR		01
03	0503030992	CARDBOARD BOX		01

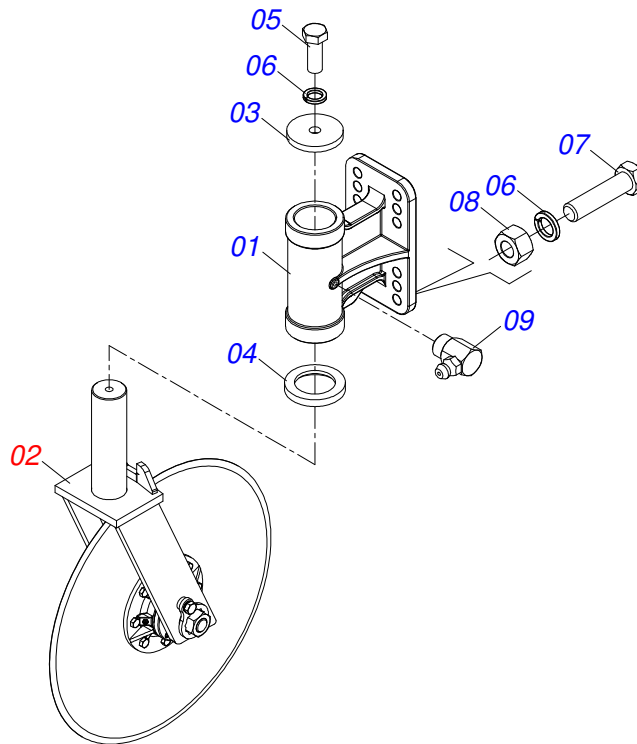


Item	Code	Description	See page	QT
01	0501069713	FURROWER ARM		01
02	0511067839	POINT PLOW ALADA UNIVERSAL		01
03	0521012821	PIVOT SHAFT		02
04	0551013447	SCRAPER		02
05	0551011638	ADJUSTMENT BAR		02
06	0502011165	REAR FIXER		01
07	0502011164	SUPPORT SPRING		01
08	0521011631	AUTOMATIC RESET		01
09	0511015689	1.1" X 3.5" COUPLING SHAFT		02
10	0511015688	28,50X180 COUPLING SHAFT		02
11	0501010984	FLAT WASHER		01
12	0521014188	FLAT WASHER		11
13	0503010025	3/8" SPRING WASHER		37
14	0503010019	1/2" SPRING WASHER		11
15	0503010027	5/8" SPRING WASHER		03
16	0503010012	1" SPRING WASHER		04
17	0503011236	3/8" X 2" BOLT		01
18	0503011195	7/16" X 1.3/4" BOLT		01
19	0503010232	5/8" X 1.3/4" BOLT		02
20	0511019527	1" X 8" BOLT		04
21	0503010026	3/8" NUT		37
22	0503010244	7/16" NUT		01
23	0503012682	1/2" BSW NUT		11
24	0503010013	5/8" NUT		03
25	0503010340	1" NUT		04
26	0503010571	1/4" X 1.1/2" COTTERPIN		08
27	0511069022	SET LEFT WING		01
28	0503019520	SCREW 1/2 BSW X 1.3/4 CEPQ G.5 ZN		10
29	0511069023	SET RIGHT WIND		01
30	0551016883	PLATE POLIETILINO		02
31	0503010233	5/8" X 2-1/2" BOLT		01

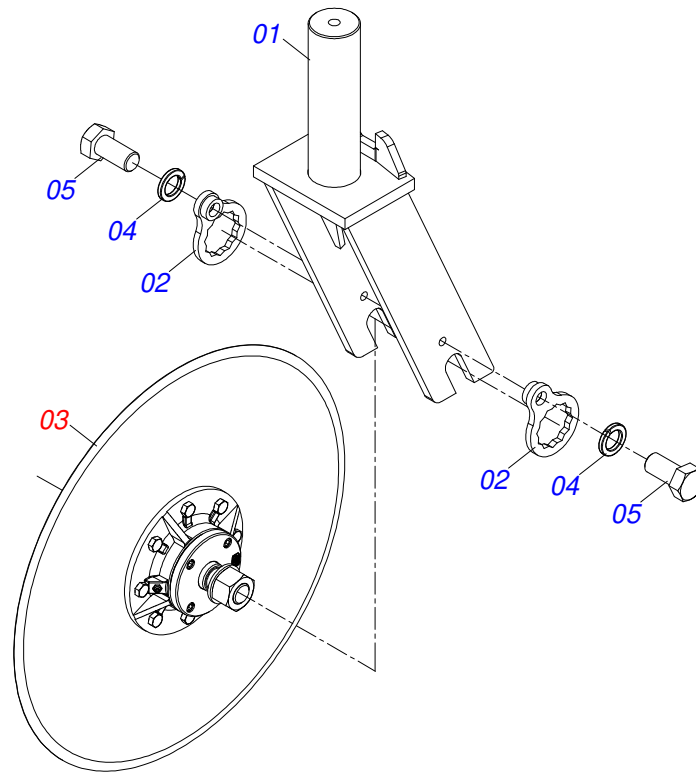
Item	Code	Description	See page	QT
32	0501010942	3/8" X 1-1/4" BOLT		36
33	0502011166	FRONT FIXER		01



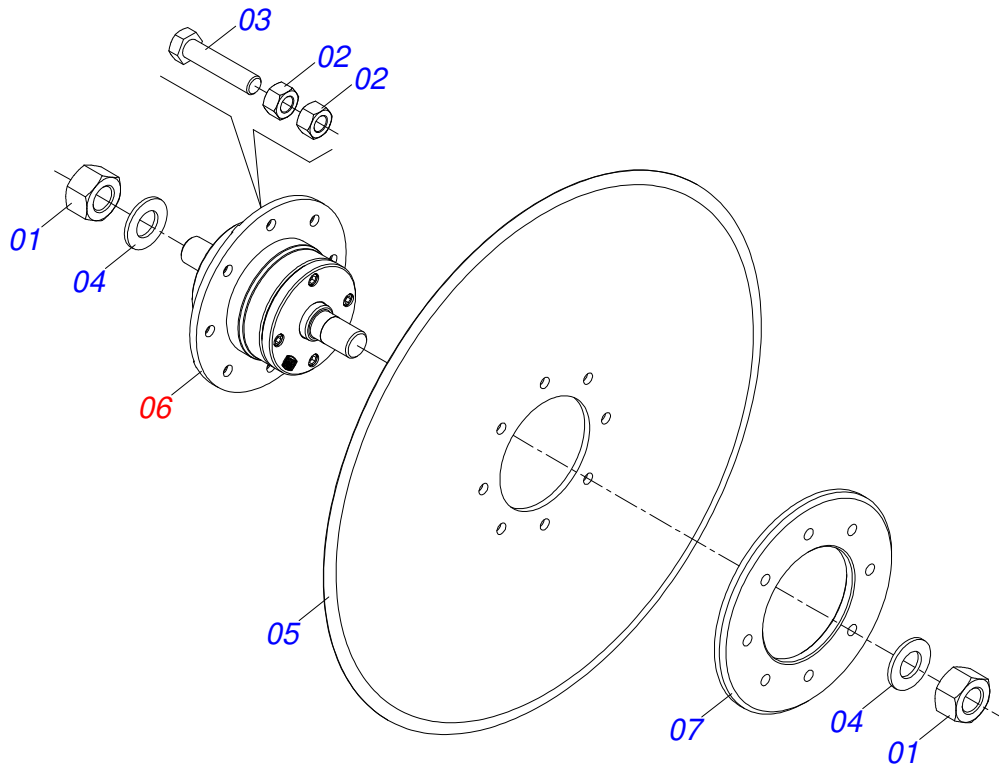
Item	Code	Description	See page	QT
01	0501069713	FURROWER ARM	01	01
02	0511067839	POINT PLOW ALADA UNIVERSAL	01	01
03	0521012821	PIVOT SHAFT	02	02
04	0551013447	SCRAPER	02	02
05	0551011638	ADJUSTMENT BAR	02	02
06	0502011165	REAR FIXER	01	01
07	0502011164	SUPPORT SPRING	01	01
08	0521011631	AUTOMATIC RESET	01	01
09	0511015689	1.1" X 3.5" COUPLING SHAFT	02	02
10	0511015688	28,50X180 COUPLING SHAFT	02	02
11	0501010984	FLAT WASHER	01	01
12	0521014188	FLAT WASHER	10	10
13	0503010025	3/8" SPRING WASHER	01	01
14	0503010019	1/2" SPRING WASHER	10	10
15	0503010027	5/8" SPRING WASHER	03	03
16	0503010012	1" SPRING WASHER	04	04
17	0503011236	3/8" X 2" BOLT	01	01
18	0503011195	7/16" X 1.3/4" BOLT	01	01
19	0503010232	5/8" X 1.3/4" BOLT	02	02
20	0511019527	1" X 8" BOLT	04	04
21	0503010026	3/8" NUT	01	01
22	0503010244	7/16" NUT	01	01
23	0503012682	1/2" BSW NUT	10	10
24	0503010013	5/8" NUT	03	03
25	0503010340	1" NUT	04	04
26	0503010571	1/4" X 1.1/2" COTTERPIN	08	08
27	0531063604	LEFT WING ASSEMBLY	01	01
28	0531063605	RIGHT WING ASSEMBLY	01	01
29	0503010233	5/8" X 2-1/2" BOLT	01	01
30	0502011166	FRONT FIXER	01	01
31	0503019520	SCREW 1/2 BSW X 1.3/4 CEPQ G.5 ZN	10	10



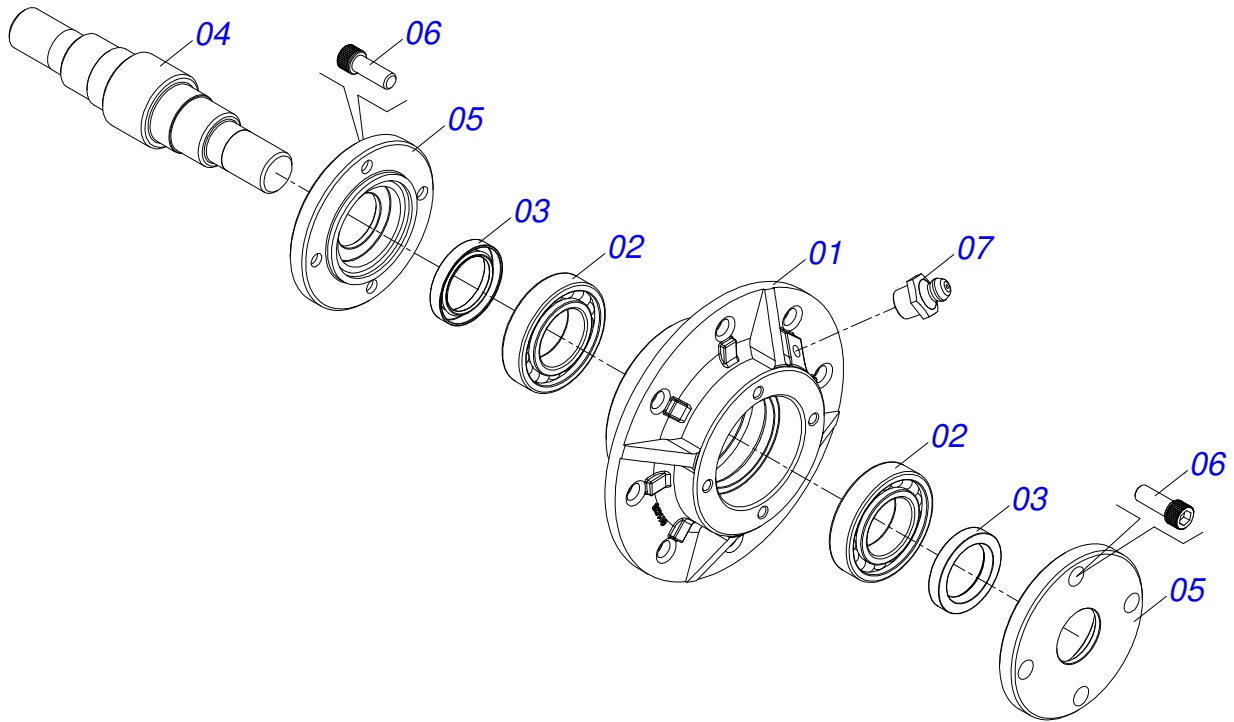
Item	Code	Description	See page	QT
01	0502012370	WITH BLADE DISC SUPPORT		01
02	0521056601	DC 26 SEMI MOUNTED	24	01
03	0541018868	FLAT WASHER		01
04	0541018869	FLAT WASHER		01
05	0501010098	3/4" UNC BOLT		01
06	0503010023	3/4" SPRING WASHER		05
07	0501010500	3/4"X3"BOLT		04
08	0503010014	3/4" NUT		04
09	0503010004	1890 GREASE FITTING		01



Item	Code	Description	See page	QT
01	0511067105	BLADE DISC FORK		01
02	0501069637	AXLE NUT LOCK		02
03	0501052395	26 CUTTING DISK WITH BOX	25	01
04	0503011445	SPRING WASHER		02
05	0503010962	5/8" X 1-1/4" BOLT		02



Item	Code	Description	See page	QT
01	0501010087	1.1/4" NUT		02
02	0503010060	1/2" NUT		16
03	0503010905	1/2" X 2-1/4" BOLT		08
04	0501017779	32 X 60 X 4.75 FLAT WASHER		02
05	0603032025	PLAIN COULTER BLADE		01
06	0501057526	DISC HUB	26	01
07	0521011824	BLADE DISC FLANGE OUTER		01



Item	Code	Description	See page	QT
01	0502011478	DISC HUB		01
02	0503011291	6209 BALL BEARING		02
03	0503012106	00521-BR RETAINER		02
04	0521012661	BLADE DISC AXLE HUB		01
05	0502011477	BLADE DISC HOUSIG CP		02
06	0503010134	3/8" X 1" BOLT		08
07	0503010002	1800 GREASE FITTING		01
08	1882970002	GREASE SOAP		0,03Kg



civemasa

Technical Publications | Elaboration and Revision

LORENA ROCHA ALVES

www.civemasa.com.br

