

TERRACING PLOW

TCL - 24D - PN11L15

Code: 0501093098

Series: S-0107

Revision: 00

Revision Date: AGOSTO/2021

PARTS CATALOGUE

CIVEMASA

A solid orange horizontal bar is positioned at the top left of the page, above the "PRODUCTS" heading.

PRODUCTS

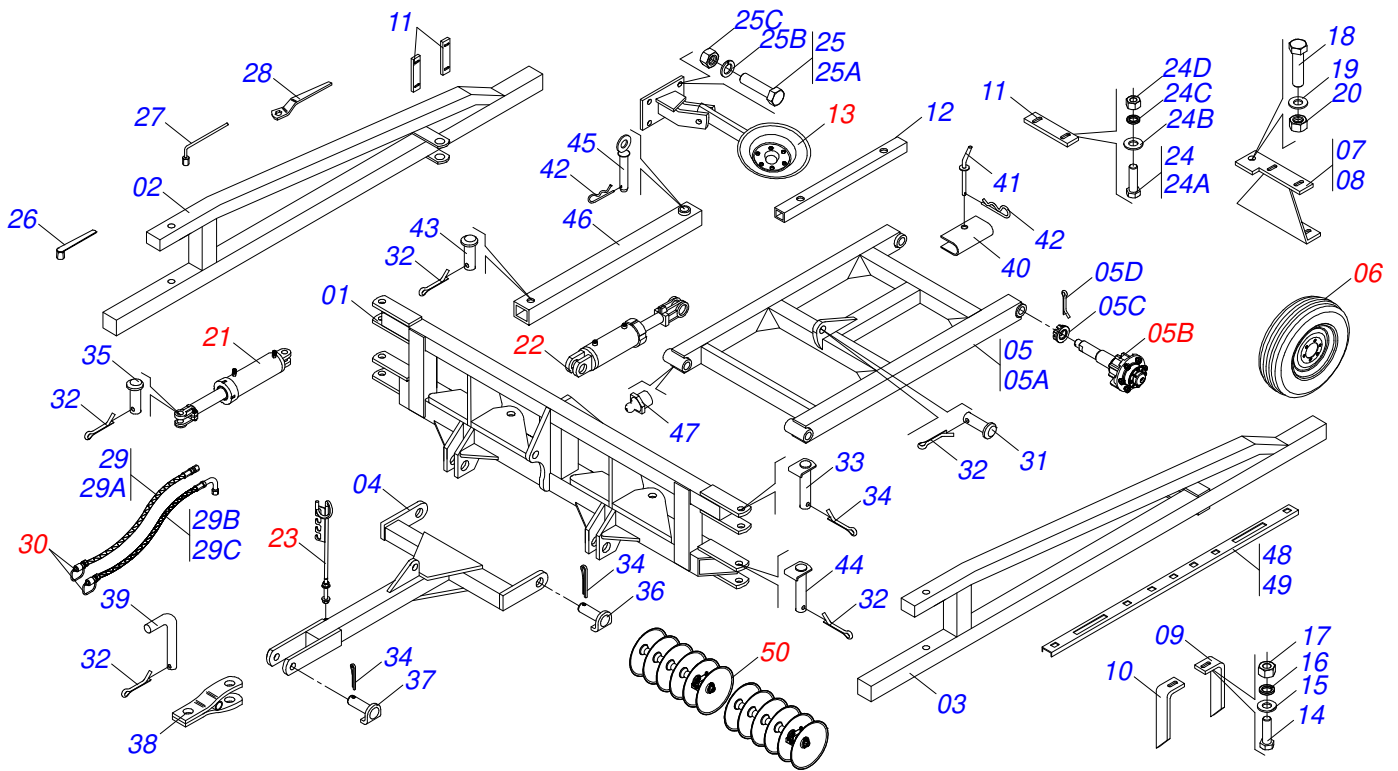
Code	Description	
0120810013	TCL 24 X 26 X 6,00 DM P11L15	S-0107

ATTENTION: IMPORTANT

Civemasa reserves the right to improve and / or modify the technical features of its products, without obligation to do the same with those products already sold and without prior knowledge of the dealer or the consumer.

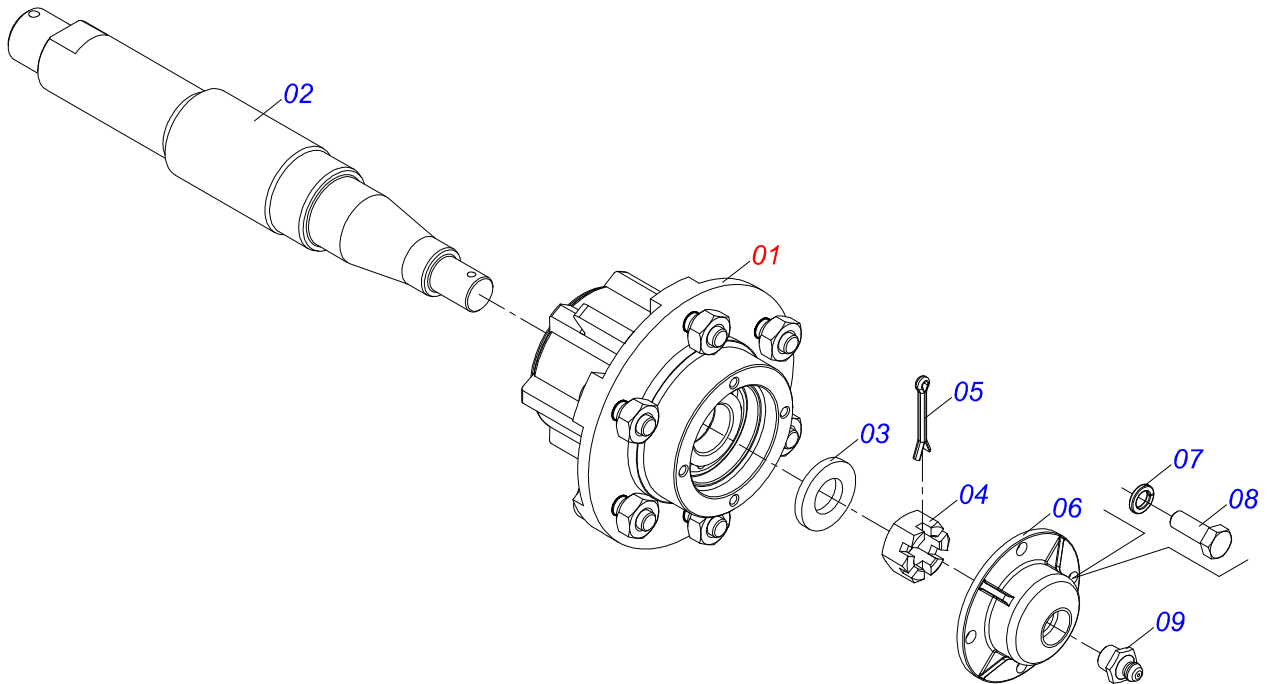
INDEX

0909095971	FRAME ASSY	1
0501051634	TSTUB SHAFT & HUB ASSY	2
0501051142	CARRYING WHEEL HUB	3
0503060181	WHEEL AND TIRE	4
0909090451	FURROW WHEEL	5
0511058298	HYDRAULIC CYLINDER	6
0511045849	50,8 X 101,6 X 680 X 397 HYDRAULIC CYLINDER	7
0501040257	3/4 X 1200 HOSE HOLDER A	8
0501053834	MALE QUICK COUPLER WITH CAP - 1/2 NPT	9
0909095972	DISC SECTION	10
0501043197	8.86" X 1-5/8" OIL BATH BEARING	11

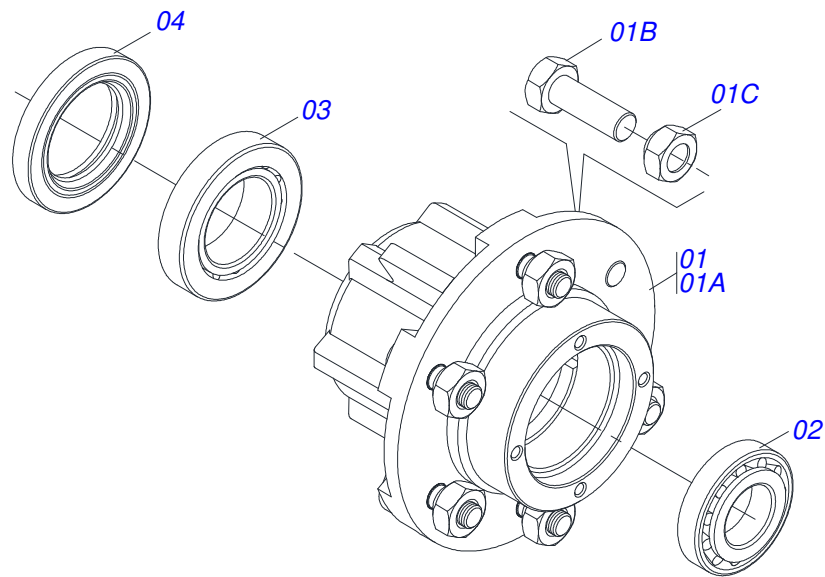


Item	Code	Description	See page	QT
01	0521062935	FRONT FRAME		01
02	0501069719	RIGHT SIDE FRAME		01
03	0501069720	LEFT SIDE FRAME		01
04	0501064288	DRAWBAR		01
05	0511045888	WHEEL SUPPORT ASSY		01
05A	0511068568	WHEEL SUPPORT		01
05B	0501051634	TSTUB SHAFT & HUB ASSY	2	02
05C	0501011301	1.1/2 UNC 6FPP 2.5/16 NUT		02
05D	0503010010	1/4" X 2.1/2" COTTERPIN		02
06	0503060181	WHEEL AND TIRE	4	01
07	0501066459	RH BRACKET		04
08	0501066460	LH BRACKET		04
09	0501018409	FRONT SCRAPER BODY		18
10	0501018410	REAR SCRAPER BODY		18
11	0501013907	FIXER PLATE		12
12	0511068596	ADJUSTMENT BAR ASSY		02
13	0909090451	FURROW WHEEL	5	01
14	0503011082	C1/2" X 1.3/4" SCREW		36
15	0511017302	FLAT WASHER		72
16	0503010019	1/2" SPRING WASHER		36
17	0503010060	1/2" NUT		36
18	0501010827	3/4" X 2-3/4" BOLT		08
19	0501010322	FLAT WASHER		08
20	0503010014	3/4" NUT		08
21	0511058298	HYDRAULIC CYLINDER	6	01
22	0511045849	50,8 X 101,6 X 680 X 397 HYDRAULIC CYLINDER	7	01
23	0501040257	3/4 X 1200 HOSE HOLDER A	8	01
24	0501040733	1" X 8" ASSY BOLT		16
24A	0501014172	1" X 8" BOLT		01
24B	0501010065	1" SPRING WASHER		01
24C	0503010012	1" SPRING WASHER		01

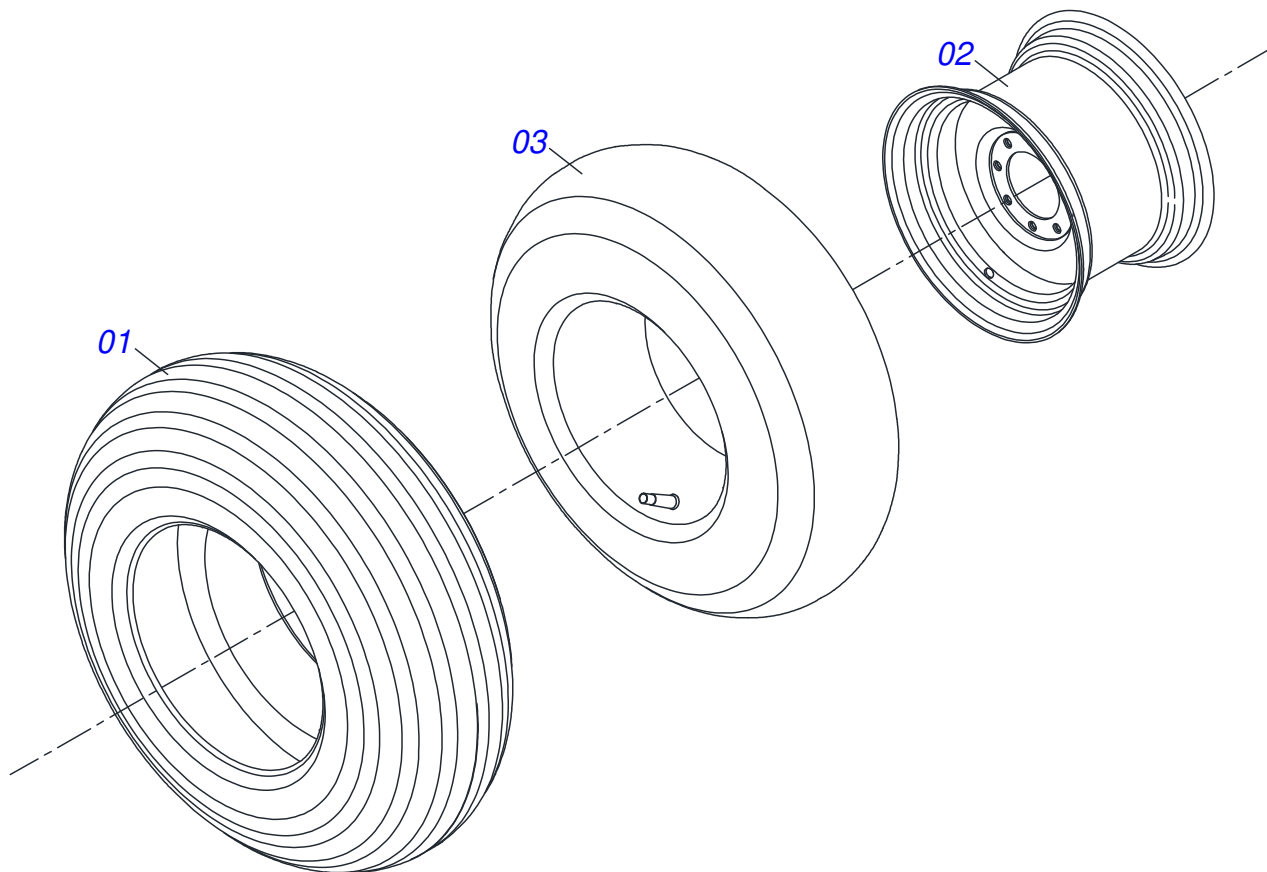
Item	Code	Description	See page	QT
24D	0501010059	1.5/8 NUT		01
25	0501041894	1" X 7" ASSY BOLT		08
25A	0501010334	1" X 7" BOLT		01
25B	0503010012	1" SPRING WASHER		01
25C	0501010059	1.5/8 NUT		01
26	0501061617	1" GANG BOLT WRENCH		01
27	0503016140	3/4" WRENCH CABLE CYLINDRICAL		01
28	0501011431	1-3/4" GANG BOLT WRENCH		02
29	0501051039	HOSE ASSY		01
29A	0501080384	TR-TM HOSE ASSY		02
29B	0501080365	HOSE 3/8 X 3500 TC-TM		01
29C	0501080385	3/8" X 149" TC-TM HOSE ASSY		01
29D	0503033158	PLASTIC BAG		01
30	0501053834	MALE QUICK COUPLER WITH CAP - 1/2 NPT	9	04
31	0521012538	1.2" X 3.5" COUPLING SHAFT		02
32	0503010523	1/4" X 2" COTTERPIN		06
33	0501064138	1.4" X 4.7" COUPLING SHAFT		02
34	0503010534	3/8 X 2-1/2 COTTERPIN		11
35	0521010546	1.2" X 5.7" COUPLING SHAFT		02
36	0501064137	1.4" X 4.13" COUPLING SHAFT		02
37	0501064139	1.4" X 6.35" COUPLING SHAFT		01
38	0501064172	TRACTOR HITCH		01
39	0521010453	AXI SHAFT		01
40	0551015095	TRANSPORT LOCK		01
41	0541016844	FIXER LOCK		01
42	0503031035	HAIR PIN		02
43	0521010579	COUPLING SHAFT		02
44	0521010581	0.9" X 4.9" COUPLING SHAFT		02
45	0501068995	25 X 110 MM LOCK AXLE		02
46	0501069011	BODY TAB REGULATOR		02
47	0503010002	1800 GREASE FITTING		04
48	0521012173	REAR BAR FIXER SCRAPER		02
49	0511014058	FRONT BAR FIXER SCRAPER		02
50	0909095972	DISC SECTION	10	01



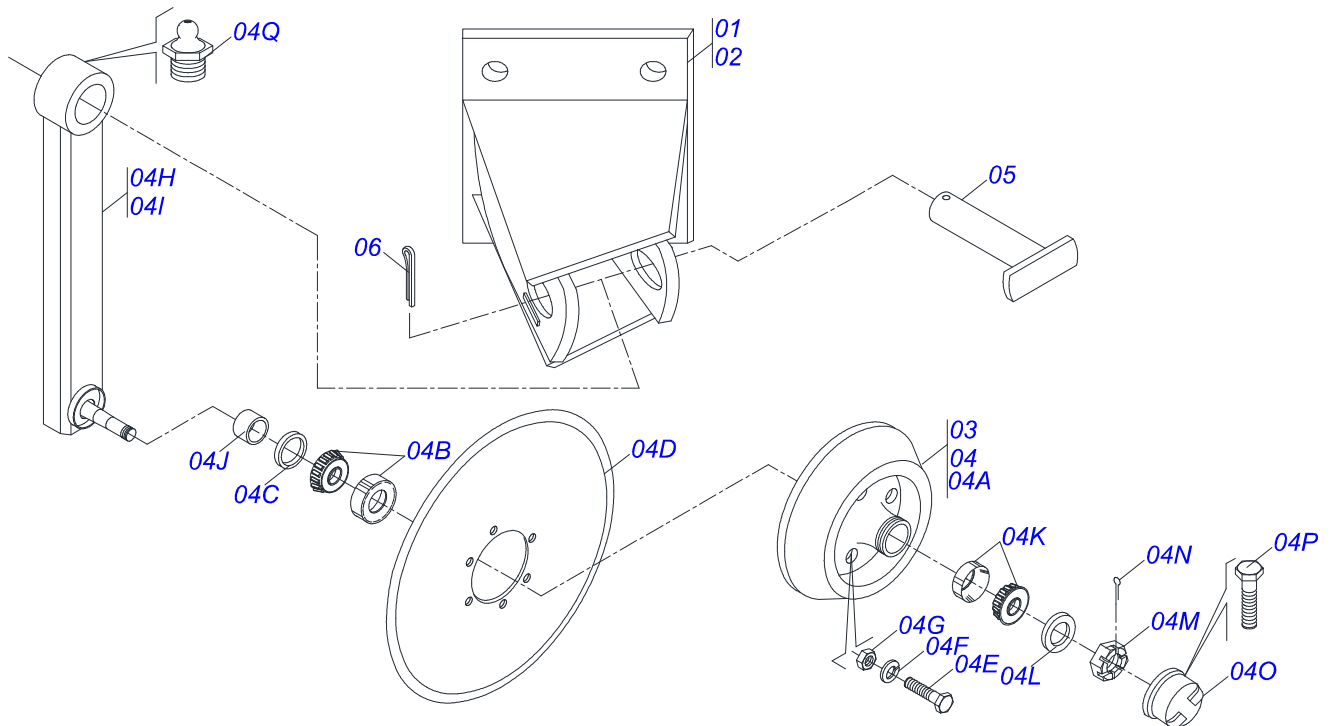
Item	Code	Description	See page	QT
01	0501051142	CARRYING WHEEL HUB	3	01
02	0521010821	2.5" X 16.5" AXLE		01
03	0501016545	FLAT WASHER		01
04	0503030009	1" CASTLE NUT		01
05	0503010018	5/32 X 1-1/2 COTTERPIN		01
06	0502020591	PROTECCION COVER		01
07	0503011444	SPRING WASHER		04
08	0503010358	5/16" X 5/8" BOLT		04
09	0503010002	1800 GREASE FITTING		01



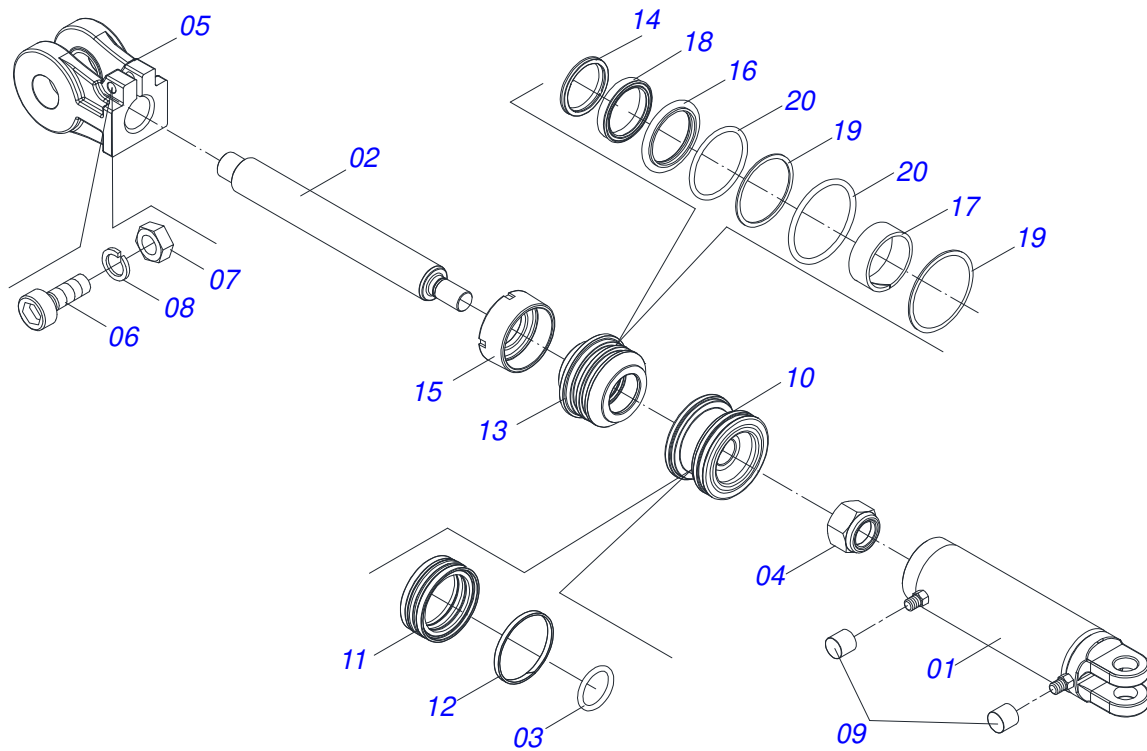
Item	Code	Description	See page	QT
01	0501110728	WHEEL HUB		01
01A	0502011121	CARRYING WHEEL HUB		01
01B	0501010127	9/16" X 1-7/8" LUG BOLT		06
01C	0503010035	9/16" CONIC NUT		06
02	0503010037	30207 ROLLER BEARING		01
03	0503010006	32210 ROLLER BEARING		01
04	0503012928	SEAL		01



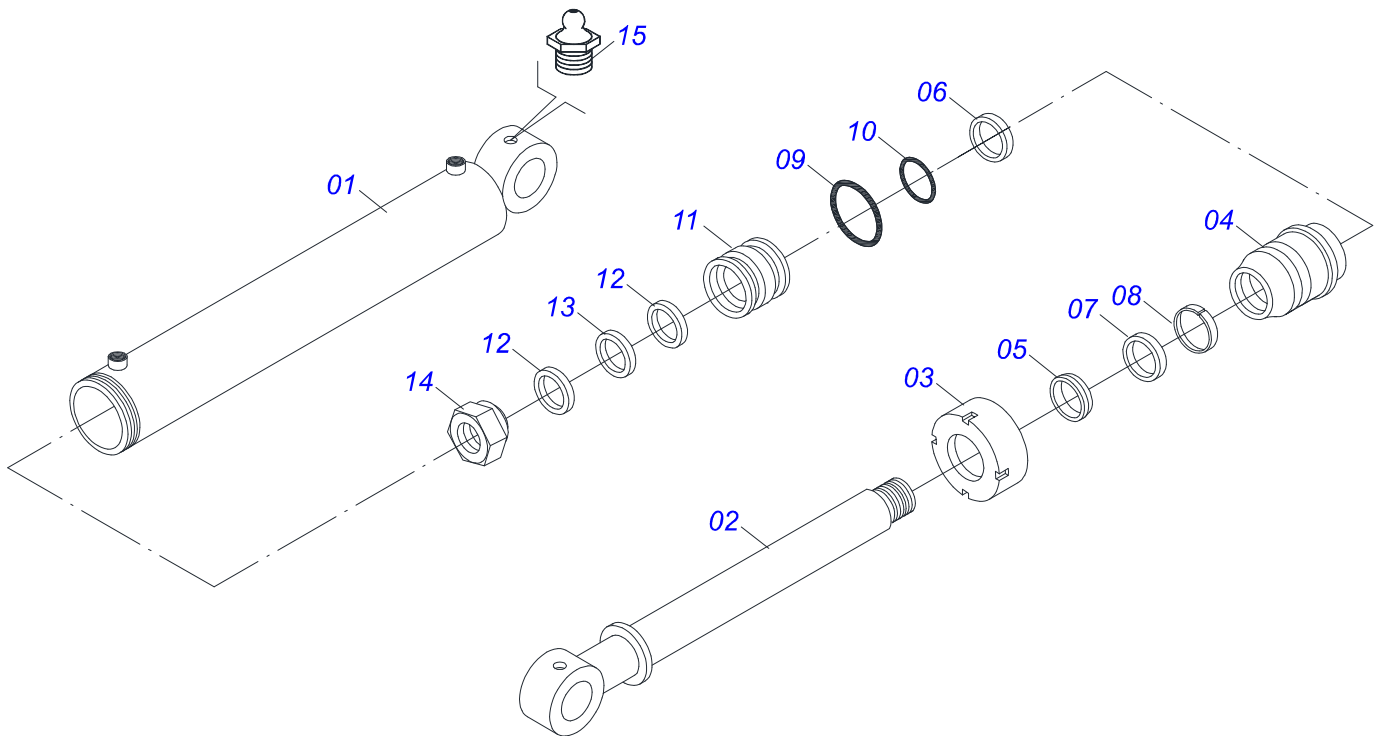
Item	Code	Description	See page	QT
01	0503010858	CANVAS TIRE		01
02	0503011468	WEEL		01
03	0503010860	CAMARA AR 11L 15		01



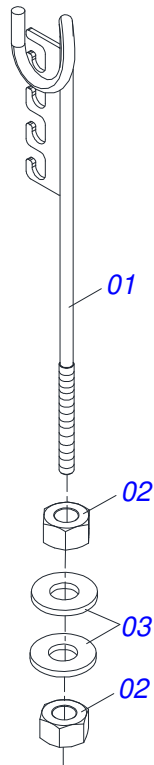
Item	Code	Description	See page	14	16	18	20	22	24
01	0501065583	FURROW WHEEL RIGHT SUPPORT		01	01	01	01	01	01
02	0501065584	FURROW WHEEL LEFT SUPPORT		01	01	01	01	01	01
03	0501050447	RH FURROW WHEEL ASSY		01	01	01	01	01	01
04	0501050448	LH FURROW WHEEL ASSY		01	01	01	01	01	01
04A	0502020405	FURROW WHEEL HUB		02	02	02	02	02	02
04B	0503010102	25577/25523 ROLLER BEARING		02	02	02	02	02	02
04C	0503010804	00547-B SEAL		02	02	02	02	02	02
04D	0603027001	20"x 0.2" PLAIN COULTER BLADE		02	02	02	02	02	02
04E	0503011082	C1/2" X 1.3/4" SCREW		12	12	12	12	12	12
04F	0503010019	1/2" SPRING WASHER		12	12	12	12	12	12
04G	0503010060	1/2" NUT		12	12	12	12	12	12
04H	0501065586	RH ARM		01	01	01	01	01	01
04I	0501065585	LH ARM		01	01	01	01	01	01
04J	0501015722	SPACING BUSHING		02	02	02	02	02	02
04K	0503010745	BEARING 25877/25821		02	02	02	02	02	02
04L	0501010065	1" SPRING WASHER		02	02	02	02	02	02
04M	0503030009	1" CASTLE NUT		02	02	02	02	02	02
04N	0503010018	5/32 X 1-1/2 COTTERPIN		02	02	02	02	02	02
04O	0502020008	COVER		02	02	02	02	02	02
04P	0503010011	5/16" X 1/2" BOLT		02	02	02	02	02	02
04Q	0503010002	1800 GREASE FITTING		04	04	04	04	04	04
05	0521010643	1.5" X 7.6" COUPLING SHAFT		02	02	02	02	02	02
06	0503010534	3/8 X 2-1/2 COTTERPIN		02	02	02	02	02	02



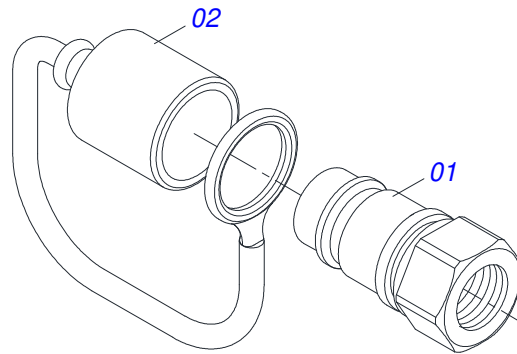
Item	Code	Description	See page	QT
001	0511061588	3.4" X 16" CYLINDER CASE		01
002	0521010421	HYDRAULIC CYLINDER TURNBUCKLE		01
003	0503010042	2-214 N 3006-9B O'RING		01
004	0503010063	1" SELF-ALIGNING NUT		01
005	0502040747	32.54 CLEVIS CLAMP		01
006	0503011094	3/8" X 2" BOLT		01
007	0503010026	3/8" NUT		01
008	0503010025	3/8" SPRING WASHER		01
009	0503030385	CYLINDER PLUG N-002		02
010	0571019710	1.7" X 3.4" PISTON		01
011	0503017935	RING		01
012	0503018144	RING		01
013	0571019711	RING SUPPORT		01
014	0503010761	D-1750 SCRAPER RING		01
015	0571019709	DETACHABLE COVER		01
016	0503017936	RING		01
017	0503017938	RING GUIDE		01
018	0503017937	GASKET		01
019	0503017940	8-337 BACK-UP RING		02
020	0503017939	2-337 N 3006-9B O' RING		02



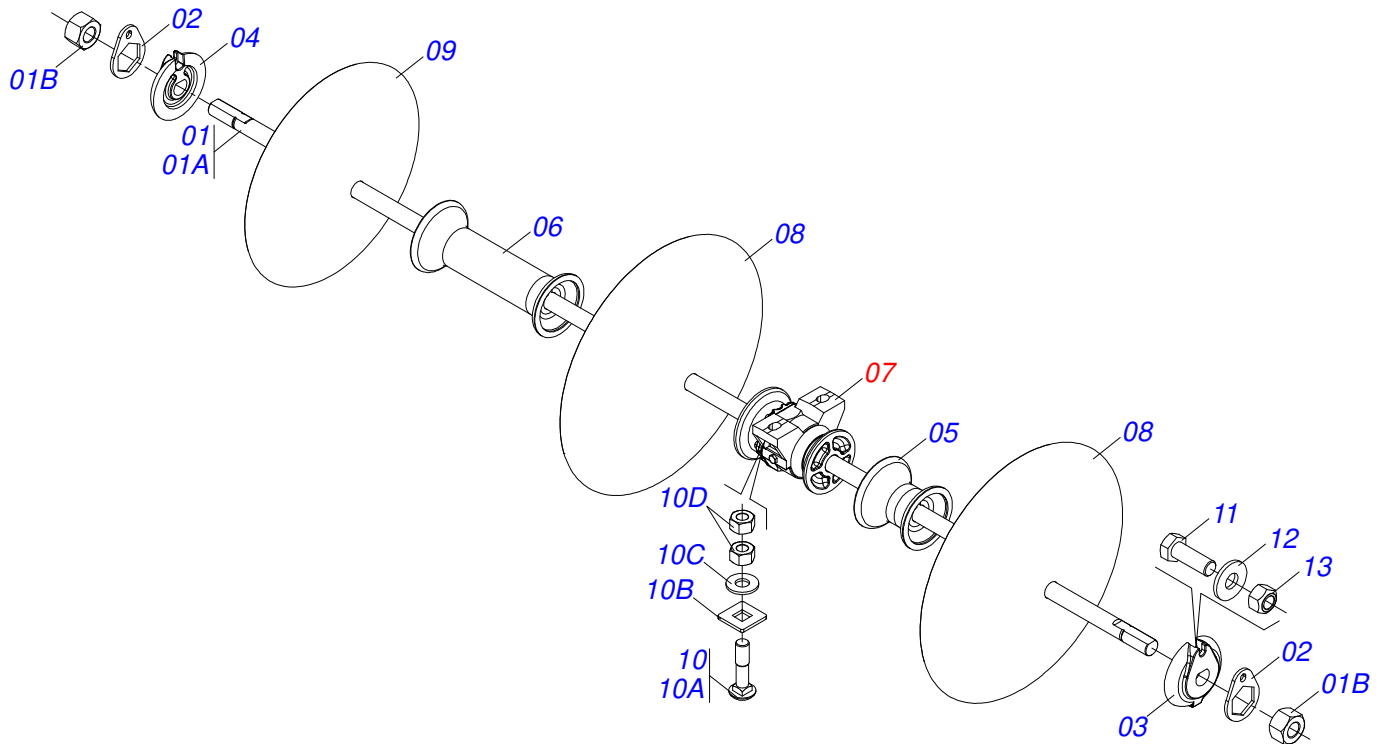
Item	Code	Description	See page	QT
01	0511068567	101,6 X 515 CYLINDER CASE		01
02	0511068566	TURNBUCLE WITH BUSHING		01
03	0502010017	4" HEAD		01
04	0502010778	2" X 4.2" RING SUPPORT		01
05	0503010039	D-2000 SCRAPER RING		01
06	0503010991	1870-2000-375-B GASKET		01
07	0503010952	W2-2250-500 RING		01
08	0503011061	8-342 BACK-UP RING		01
09	0503010338	2-342 N 3006-9B O'RING		01
10	0503010345	2-218 N 3006-9B O'RING		01
11	0502010992	2.0" X 4.0" PISTON		02
12	0503010043	PACKING 3750-3250		02
13	0503010994	W2-4000-500 PK RING G.E		01
14	0503010817	1.1/4" SELF LOCKING NUT		01
15	0503010002	1800 GREASE FITTING		02



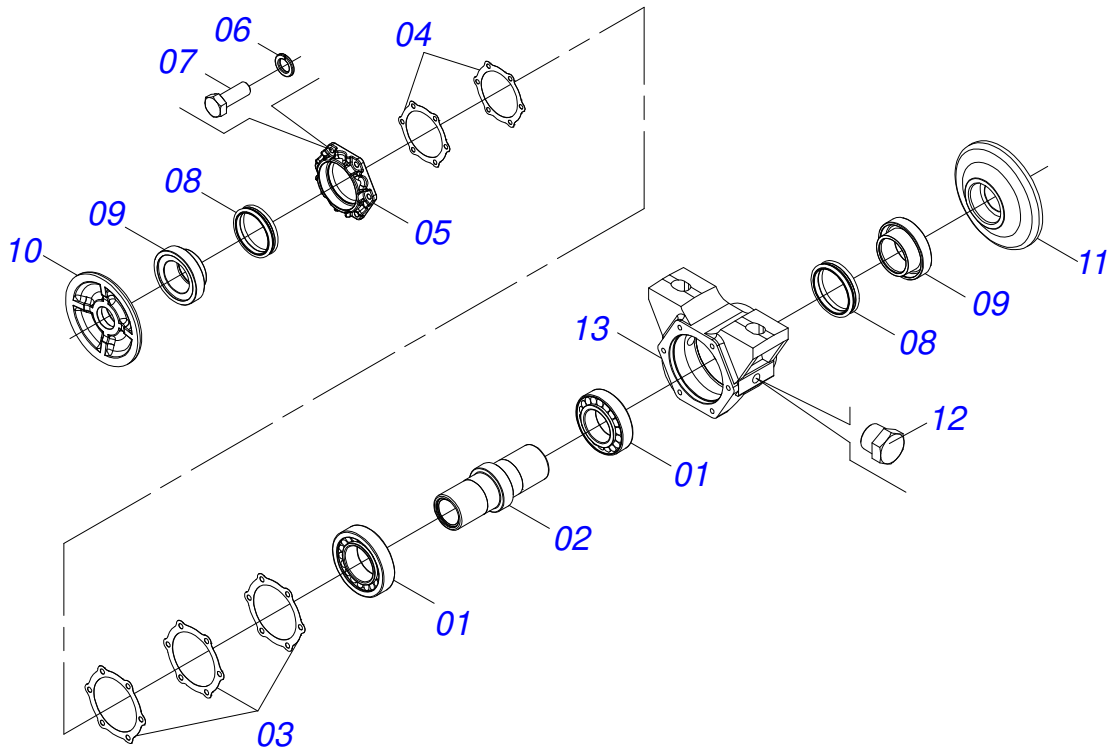
Item	Code	Description	See page	QT
01	0511067334	HOSE SOPPORT ASSY		01
02	0503010014	3/4" NUT		02
03	0501010322	FLAT WASHER		02



Item	Code	Description	See page	QT
01	0503011627	MALE QUICK COUPLER AGR 1/2 NPT		01
02	0503011882	MALE QUICK COUPLER CAP		01



Item	Code	Description	See page	QT
01	0501046862	1-5/8" X 83.86" AXLE		04
01A	0501019025	1-5/8" X 88.86" AXLE		01
01B	0502040640	1.5/8" 2.3/4" NUT		02
02	0511014339	1-5/8" 2.8" NUT LOCK		08
03	0502011048	1-5/8" EXTERNAL AXLE WASHER		04
04	0502011047	1-5/8" INNER AXLE WASHER		04
05	0502010701	SPACER		08
06	0502010702	SPACER		12
07	0501043197	8.86" X 1-5/8" OIL BATH BEARING	11	08
08	0601033005	26" X 0.2" PLAIN DISC BLADE		22
09	0601030005	24" X 0.2" PLAIN DISC BLADE		02
10	0511040034	3/4" X 3-1/4" BOLT ASSY		16
10A	0501017303	3/4" X 3-1/4" BOLT		01
10B	0501010949	3/4" SQUARE WASHER		01
10C	0501010322	FLAT WASHER		01
10D	0503010014	3/4" NUT		02
11	0503011267	BOLT 5/8 UNC X 1.1/2 C S G.5 ZN		08
12	0501012140	FLAT WASHER		08
13	0503010013	5/8" NUT		08



Item	Code	Description	See page	QT
001	0503010005	32212 ROLLER BEARING		02
002	0502010899	AXLE CM/DM		01
003	0503030030	5.6" X 4.4" X 0.01" GASKET		03
004	0503030685	5.5" X 4.4" X 0.003" GASKET		02
005	0502020161	WEAR PLATE BEARING		01
006	0503011443	3/8" SPRING WASHER		06
007	0503010237	3/8" X 1" BOLT		06
008	0503030027	DUO-CONE SEAL		02
009	0502040287	SEAL RETAINER		02
010	0502040239	OUTER FLANGE		01
011	0502040240	INNER FLANGE		01
012	0503010856	OIL PLUG		02
013	0502020481	HOUSING DM		01



civemasa

Technical Publications | Elaboration and Revision

ALESSANDRA PATRICIA KAWAHARA CARRILI

www.civemasa.com.br

