

**DISK HARROWS**

**SIC 30D - AXIS 1.5/8"**

**Code:** 0501093097  
**Series:** S-1094  
**Revision:** 00  
**Revision Date:** AGOSTO/2021

**PARTS  
CATALOGUE**


***CIVEMASA***

# PRODUCTS

<b>Code</b>	<b>Description</b>
0121140079	SIC 30 X 28 X 7,50 DM DR EIXO 1.5/8 S-1094

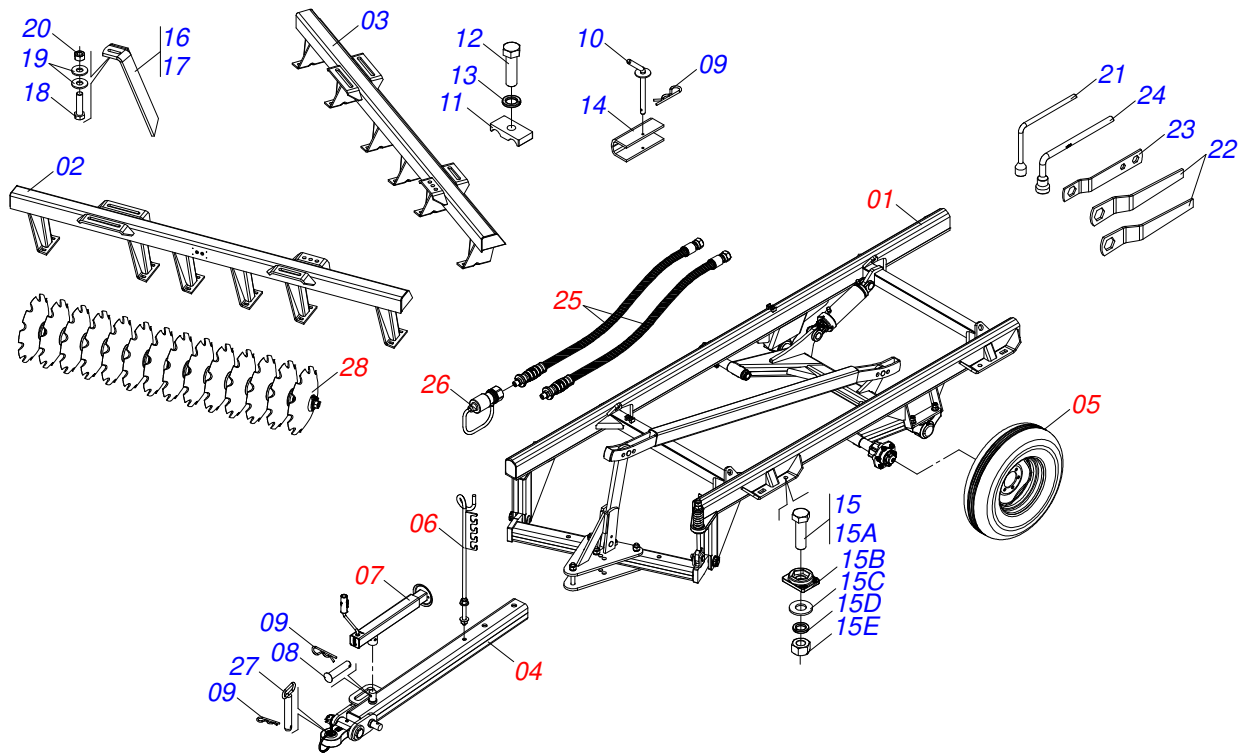
## **ATTENTION: IMPORTANT**

Civemasa reserves the right to improve and / or modify the technical features of its products, without obligation to do the same with those products already sold and without prior knowledge of the dealer or the consumer.



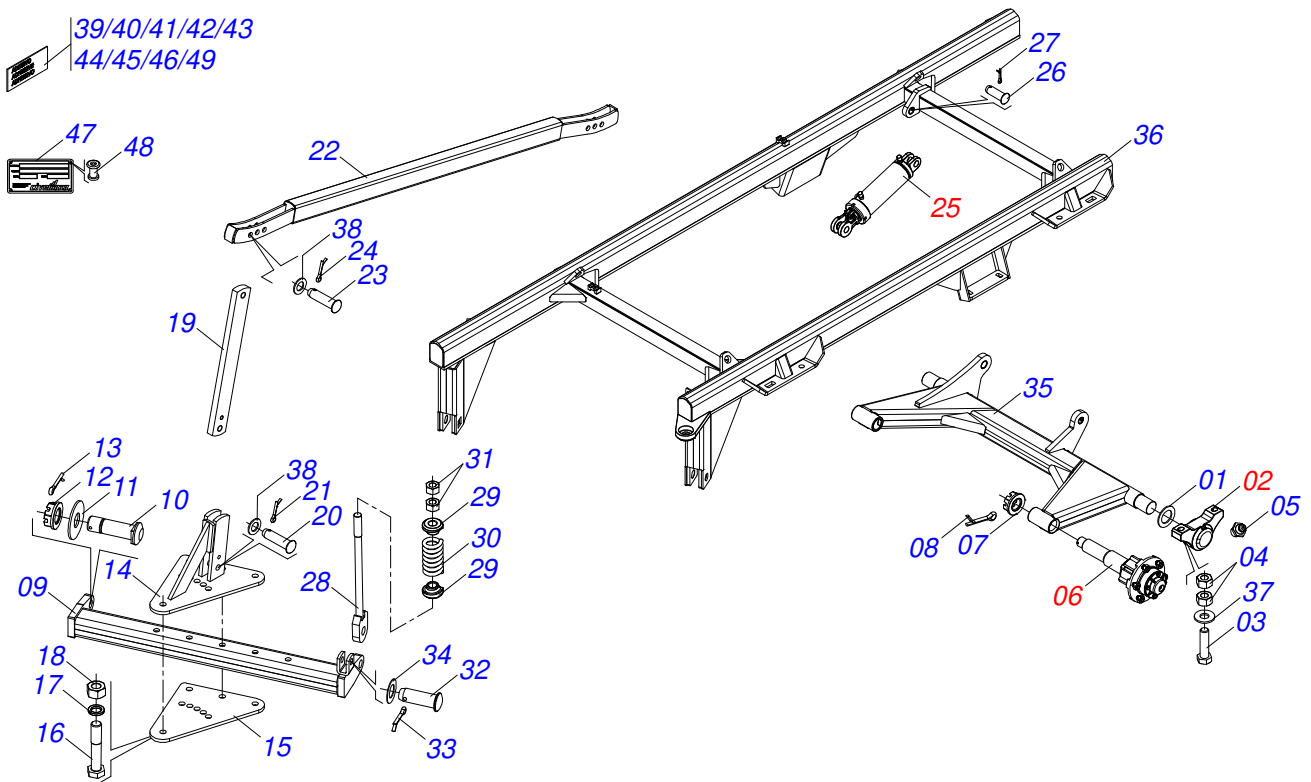
# INDEX

0909095969	ASSY FRAME	.....	1
0521046472	FRAME ASSY	.....	2
0501110856	ARTICULACION BEARING	.....	3
0501051634	TSTUB SHAFT & HUB ASSY	.....	4
0501051142	CARRYING WHEEL HUB	.....	5
0511059180	HYDRAULIC CYLINDER	.....	6
0521048502	ASSY TRACTION BAR	.....	7
0521057520	HITCH ASSY	.....	8
0503060091	L29.5"X0.63"-10L WHEEL AND	.....	9
0501040257	3/4 X 1200 HOSE HOLDER A	.....	10
0503062157	HEADER JACK	.....	11
0501053834	MALE QUICK COUPLER WITH CAP - 1/2 NPT	.....	12
0909095970	DISC SECTION	.....	13
0501046925	262 X 1-5/8" OIL BATH BRG ASSY,FG	.....	14



Item	Code	Description	See page	QT
01	0521046472	FRAME ASSY	2	01
02	0521064907	FRONT FRAME		01
03	0521064908	REAR FRAME		01
04	0521048502	ASSY TRACTION BAR	7	01
05	0503060091	L29.5"X0.63"-10L WHEEL AND	9	02
06	0501040257	3/4 X 1200 HOSE HOLDER A	10	01
07	0503062157	HEADER JACK	11	01
08	0521010549	COUPLING SHAFT		01
09	0503030168	HAIR PIN		02
10	0501068994	0.3" X 3.1"LOCK PIN		01
11	0502012702	BODY SUPPORT CLAMP		02
12	0503012555	SCREW 7/16 UNC X 2 CS RT G.7 ZN		02
13	0503010180	7/16" SPRING WASHER		02
14	0511010839	TRANSPORT LOCK 7.9" X 2.1" X 0.4"		01
15	0501040877	C1" X 3-1/4" ASSY BOLT		08
15A	0501010171	BOLT 1 UNC X 3.1/2 C S G.5		01
15B	0502012861	1" SQUARE WASHER		01
15C	0501010065	1" SPRING WASHER		01
15D	0503010012	1" SPRING WASHER		01
15E	0501010059	1.5/8 NUT		01
16	0501064167	REAR SCRAPER		08
17	0501064168	REAR SCRAPER		08
18	0503010740	BOLT 1/2 UNC X 2 CS G.5 ZN		32
19	0511017302	FLAT WASHER		32
20	0503010060	1/2" NUT		32
21	0503016140	3/4" WRENCH CABLE CYLINDRICAL		01
22	0501011431	1-3/4" GANG BOLT WRENCH		02
23	0511018451	5/8" X 3/4" X 1" UNIVERSAL		01
24	0501061617	1" GANG BOLT WRENCH		01
25	0503011360	HOSE KIT		01
26	0501053834	MALE QUICK COUPLER WITH CAP - 1/2 NPT	12	02

<b>Item</b>	<b>Code</b>	<b>Description</b>	<b>See page</b>	<b>QT</b>
27	0501069080	COUPLING SHAFT		01
28	0909095970	DISC SECTION	13	01

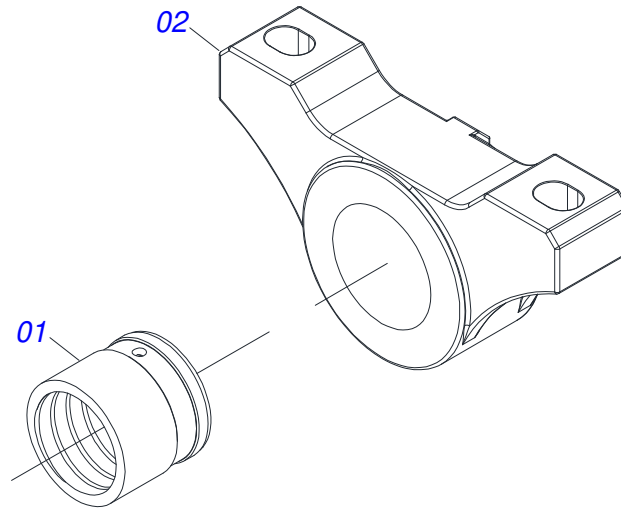


Item	Code	Description	See page	QT
01	0501017579	FLAT WASHER		02
02	0501110856	ARTICULACION BEARING	3	02
03	0503010797	3/4" X 4" BOLT		04
04	0503010014	3/4" NUT		08
05	0503010002	1800 GREASE FITTING		02
06	0501051634	TSTUB SHAFT & HUB ASSY	4	02
07	0501011301	1.1/2 UNC 6FPP 2.5/16 NUT		02
08	0503010010	1/4" X 2.1/2" COTTERPIN		02
09	0501066262	OFFSET BAR		01
10	0521017538	11-1/2" X 5" COUPLING SHAFT		02
11	0511019880	FLAT WASHER		02
12	0501011301	1.1/2 UNC 6FPP 2.5/16 NUT		02
13	0503010010	1/4" X 2.1/2" COTTERPIN		02
14	0501066235	UPPER PLATE WITH SUPPORT		01
15	0511013000	UPPER /LOWER PLATE		01
16	0501010334	1" X 7" BOLT		05
17	0503011438	SPRING WASHER		05
18	0501010059	1.5/8 NUT		05
19	0511012972	TSTABILIZER BAR TOWER		01
20	0521010576	0.9" X 3.7" COUPLING SHAFT		01
21	0503010571	1/4" X 1.1/2 COTTERPIN		01
22	0511066932	CSTABILIZER BARCOTTERPIN		01
23	0521010575	C0.9" X 3.3" COUPLING SHAFT		02
24	0503010571	1/4" X 1.1/2 COTTERPIN		02
25	0511059180	HYDRAULIC CYLINDER	6	01
26	0521012538	1.2" X 3.5" COUPLING SHAFT		02
27	0503010523	1/4" X 2" COTTERPIN		02
28	0501064698	SPRING ROD		01
29	0502020392	SPRING SUPPORT		02
30	0503030441	12.7" X 5.7" X 0.5"SPRING		01
31	0501010059	1.5/8 NUT		02

**FRAME ASSY**

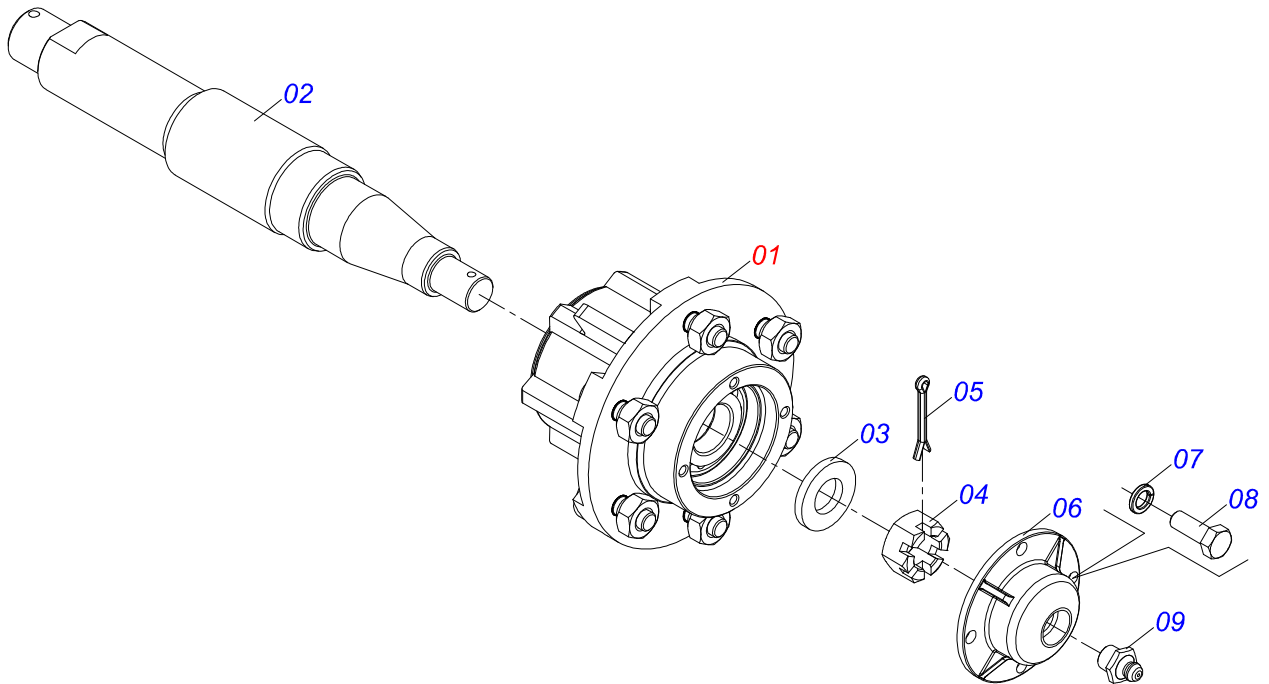
0521046472

<b>Item</b>	<b>Code</b>	<b>Description</b>	<b>See page</b>	<b>QT</b>
32	0521010592	1.1" X 3.1" COUPLING SHAFT		01
33	0503010571	1/4" X 1.1/2 COTTERPIN		01
34	0561011883	FLAT WASHER		01
35	0501065518	CARRYING-WHEELS		01
36	0521062612	FRAME		01
37	0501010322	FLAT WASHER		04
38	0501011445	FLAT WASHER		03
39	0503033647	APPROVED BADGE		01
40	0503031827	LUBRICATE AND RETIGHTEN DAILY DECAL		01
41	0503034078	LIFTING POINTS DECAL		04
42	0503031738	ADHESIVE LABEL		01
43	0503031739	ADHESIVE LABEL		01
44	0503031428	READ MANUAL DECAL		01
45	0503033038	DANGER SIGN		02
46	0503034278	EMBLEM		02
47	0503034004	ALUMINUM IDENTIFICATION LABEL		01
48	0503010001	3.2 X 5.5 RIVET		04
49	0503034355	EMBLEM		02

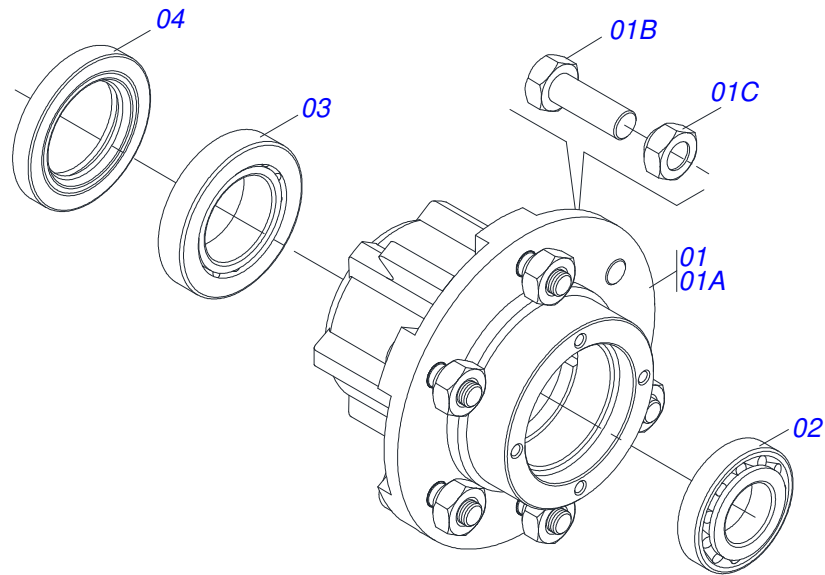


Item	Code	Description	See page	QT
001	0581012980	SLEEVE		01
002	0502010006	ARTICULACION BEARING		01

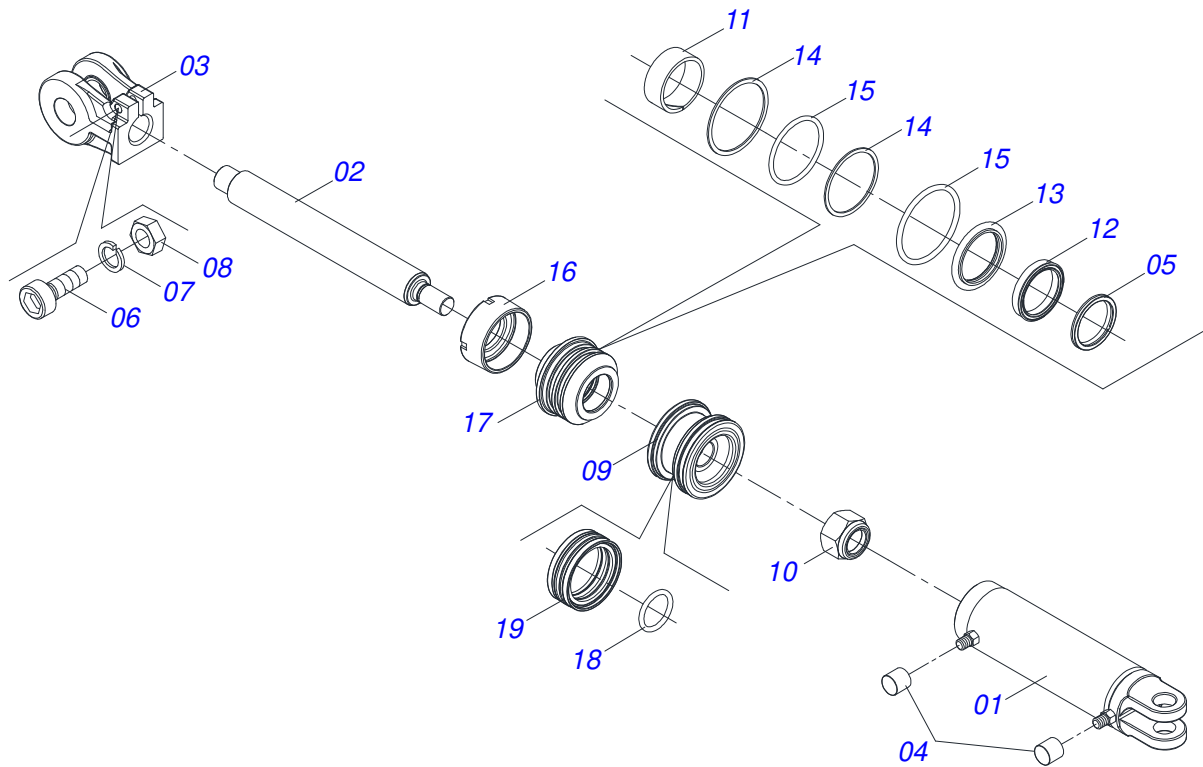




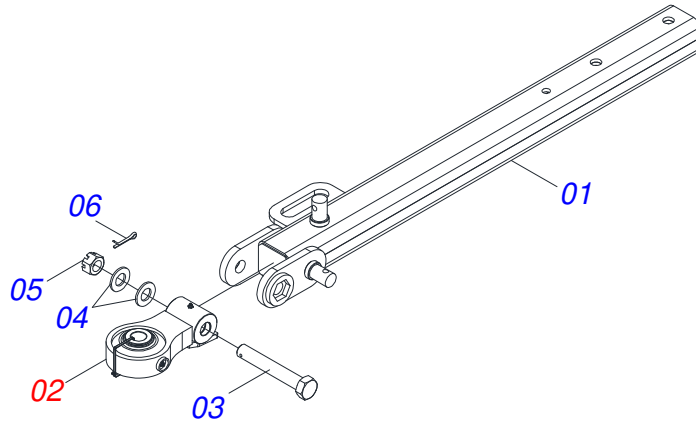
Item	Code	Description	See page	QT
01	0501051142	CARRYING WHEEL HUB	5	01
02	0521010821	2.5" X 16.5" AXLE		01
03	0501016545	FLAT WASHER		01
04	0503030009	1" CASTLE NUT		01
05	0503010018	5/32 X 1-1/2 COTTERPIN		01
06	0502020591	PROTECCION COVER		01
07	0503011444	SPRING WASHER		04
08	0503010358	5/16" X 5/8" BOLT		04
09	0503010002	1800 GREASE FITTING		01



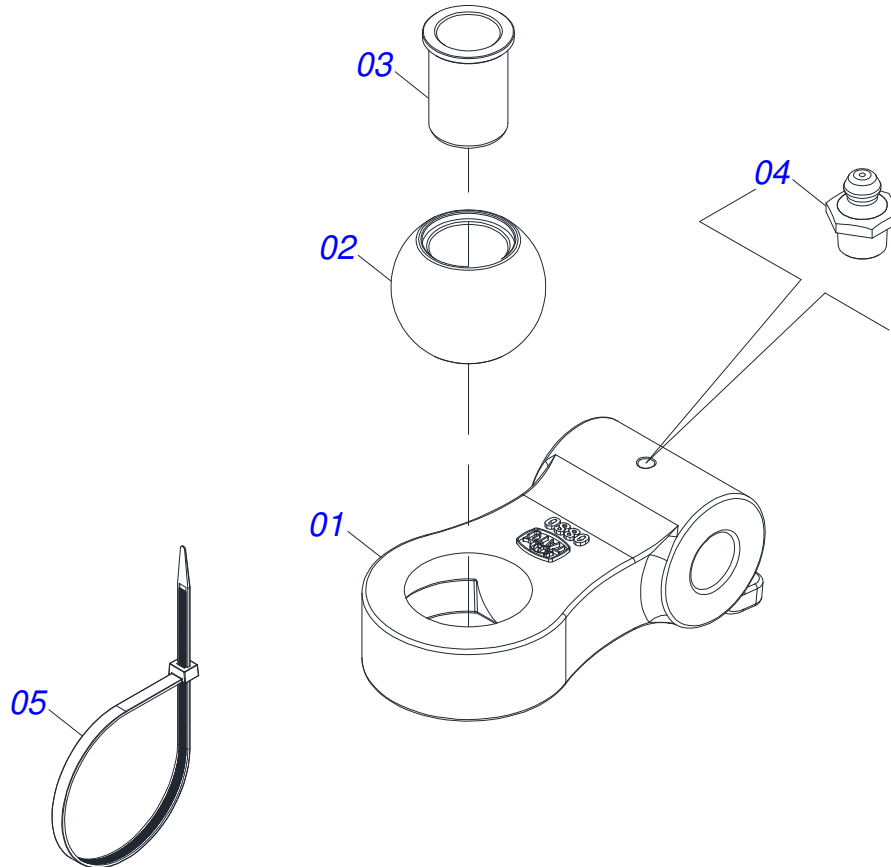
Item	Code	Description	See page	QT
01	0501110728	WHEEL HUB		01
01A	0502011121	CARRYING WHEEL HUB		01
01B	0501010127	9/16" X 1-7/8" LUG BOLT		06
01C	0503010035	9/16" CONIC NUT		06
02	0503010037	30207 ROLLER BEARING		01
03	0503010006	32210 ROLLER BEARING		01
04	0503012928	SEAL		01



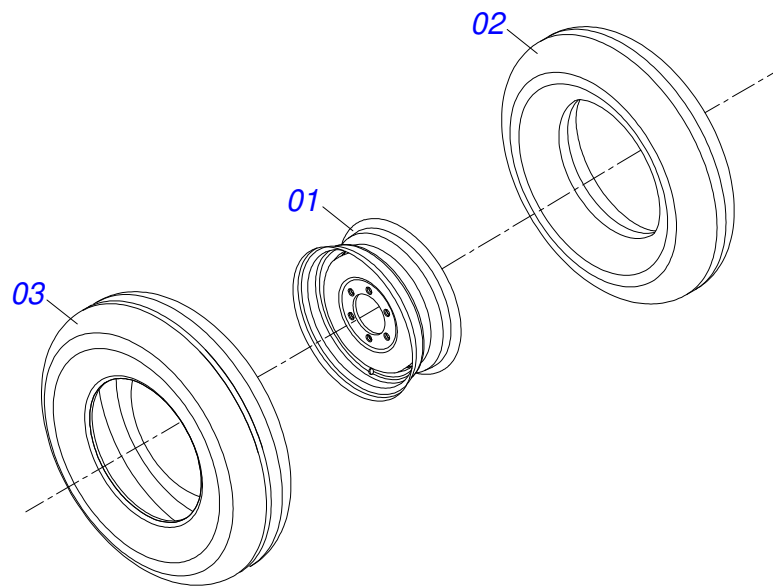
Item	Code	Description	See page	QT
01	0511070658	CYLINDER CASE		01
02	0571019958	HYDRAULIC CYLINDER TURNBUCKLE		01
03	0502040747	32.54 CLEVIS CLAMP		01
04	0503030385	CYLINDER PLUG N-002		02
05	0503010039	D-2000 SCRAPER RING		01
06	0503011094	3/8" X 2" BOLT		01
07	0503011443	3/8" SPRING WASHER		01
08	0503010026	3/8" NUT		01
09	0502012820	50.80 X 101.60 PISTON		01
10	0503010817	1.1/4" SELF LOCKING NUT		01
11	0503018025	RING GUIDE		01
12	0503018026	1870-2000-375 B GASKET		01
13	0503018024	RING BS		01
14	0503010338	2-342 N 3006-9B O'RING		02
15	0503011061	8-342 BACK-UP RING		02
16	0502012822	101.60 END CAP		01
17	0502012821	50.80 X 101.60 RING SUPPORT		01
18	0503018029	2-217 O'RING		01
19	0503015633	SELEMASTER SEALING		01



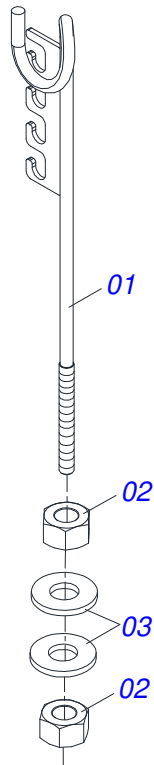
Item	Code	Description	See page	QT
01	0521069165	DRAWBAR ASSY		01
02	0521057520	HITCH ASSY	8	01
03	0581015973	1.1/4 UNC X 8 C S G5 SCREW		01
04	0501017779	32 X 60 X 4.75 FLAT WASHER		02
05	0503013026	1.1/4" CASTLE NUT		01
06	0503010010	1/4" X 2.1/2" COTTERPIN		01



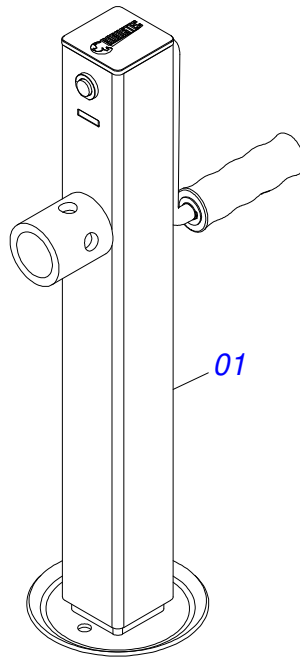
Item	Code	Description	See page	QT
01	0502040880	HITCH BODY		01
02	0502040885	BODY ATTACHMENT		01
03	0591012511	SLEEVE		01
04	0503010002	1800 GREASE FITTING		01
05	0503018829	NYLON CLAMP		01



Item	Code	Description	See page	QT
01	0503010893	WHEEL		01
02	0503010033	7.50 X 16 INNER TIRE		01
03	0503010120	CANVAS TIRE		01

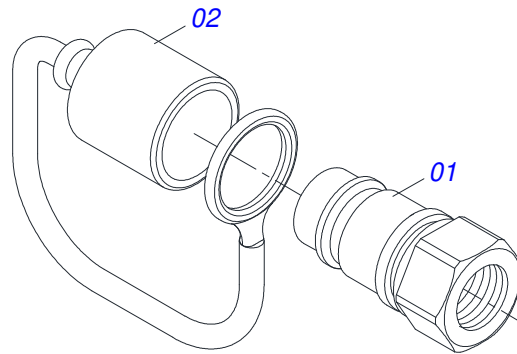


Item	Code	Description	See page	QT
01	0511067334	HOSE SOPPORT ASSY		01
02	0503010014	3/4" NUT		02
03	0501010322	FLAT WASHER		02

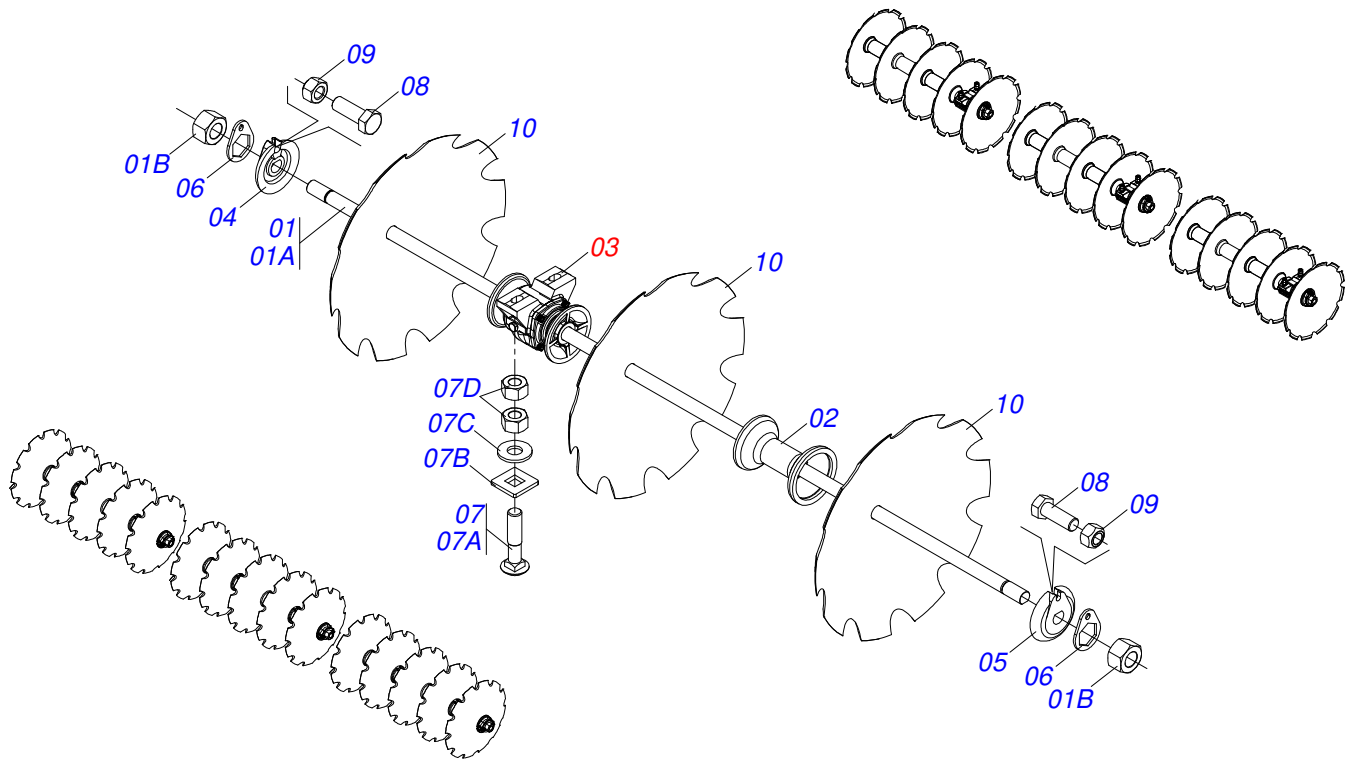


Item	Code	Description	See page	QT
01	0503062157	HEADER JACK	11	01

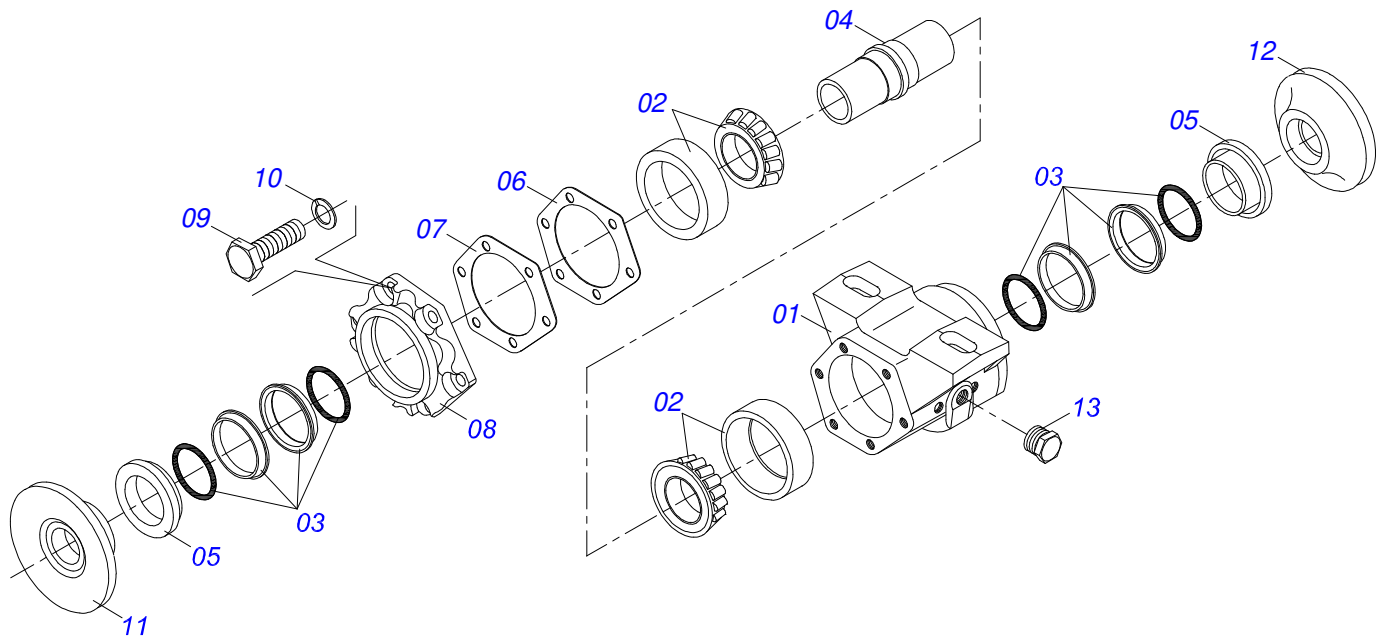




Item	Code	Description	See page	QT
01	0503011627	MALE QUICK COUPLER AGR 1/2 NPT		01
02	0503011882	MALE QUICK COUPLER CAP		01



Item	Code	Description	See page	QT
01	0501046854	1-5/8" X 48" AXLE WITH NUTS 2-3/4		06
01A	0501019016	1-5/8 X 48" AXLE		01
01B	0502040640	1.5/8" 2.3/4" NUT		02
02	0502010703	10.35" 1-5/8" SPACER		12
03	0501046925	262 X 1-5/8" OIL BATH BRG ASSY,FG	14	12
04	0502011048	1-5/8" EXTERNAL AXLE WASHER		06
05	0502011047	1-5/8" INNER AXLE WASHER		06
06	0511014339	1-5/8" 2.8" NUT LOCK		12
07	0511040034	3/4" X 3-1/4" BOLT ASSY		24
07A	0501017303	3/4" X 3-1/4" BOLT		01
07B	0501010949	3/4" SQUARE WASHER		01
07C	0501010322	FLAT WASHER		01
07D	0503010014	3/4" NUT		02
08	0503011267	BOLT 5/8 UNC X 1.1/2 C S G.5 ZN		12
09	0503012412	5/8 UNC SELF LOCKING NUT		12
10	0602037006	DR28X7,5 C102AF04FR1.11/16 10R TATU		30



Item	Code	Description	See page	QT
01	0502020481	HOUSING DM		01
02	0503010005	32212 ROLLER BEARING		02
03	0503030027	DUO-CONE SEAL		02
04	0502010900	BEARING AXLE		01
05	0502010735	SEAL RETAINER		02
06	0503030030	5.6" X 4.4" X 0.01" GASKET		02
07	0503030685	5.5" X 4.4" X 0.003" GASKET		02
08	0502020161	WEAR PLATE BEARING		01
09	0503010237	3/8" X 1" BOLT		06
10	0503011443	3/8" SPRING WASHER		06
11	0502040239	OUTER FLANGE		01
12	0502040240	INNER FLANGE		01
13	0503010856	OIL PLUG		01





***civemasa***

**Technical Publications | Elaboration and Revision**

ALESSANDRA PATRICIA KAWAHARA CARRILI

[www.civemasa.com.br](http://www.civemasa.com.br)

