

DISK PLOW

AACH 2

Code: 0501093093
Series: S-0406
Revision: 00
Revision Date: AGOSTO/2021

PARTS CATALOGUE

CIVEMASA

A solid orange rectangular bar is positioned at the top left of the page, above the "PRODUCTS" heading.

PRODUCTS

Code	Description
0120870028	AACH2 5 LISA C/R S/REVEST S406

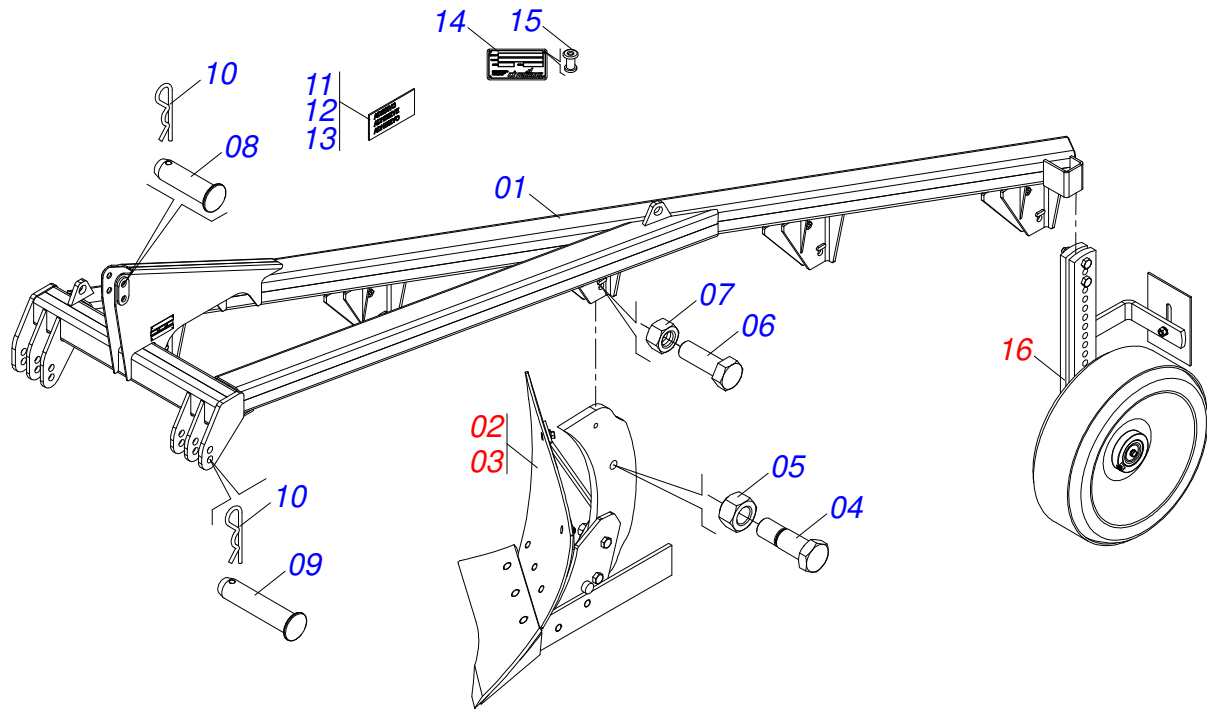
ATTENTION: IMPORTANT

Civemasa reserves the right to improve and / or modify the technical features of its products, without obligation to do the same with those products already sold and without prior knowledge of the dealer or the consumer.

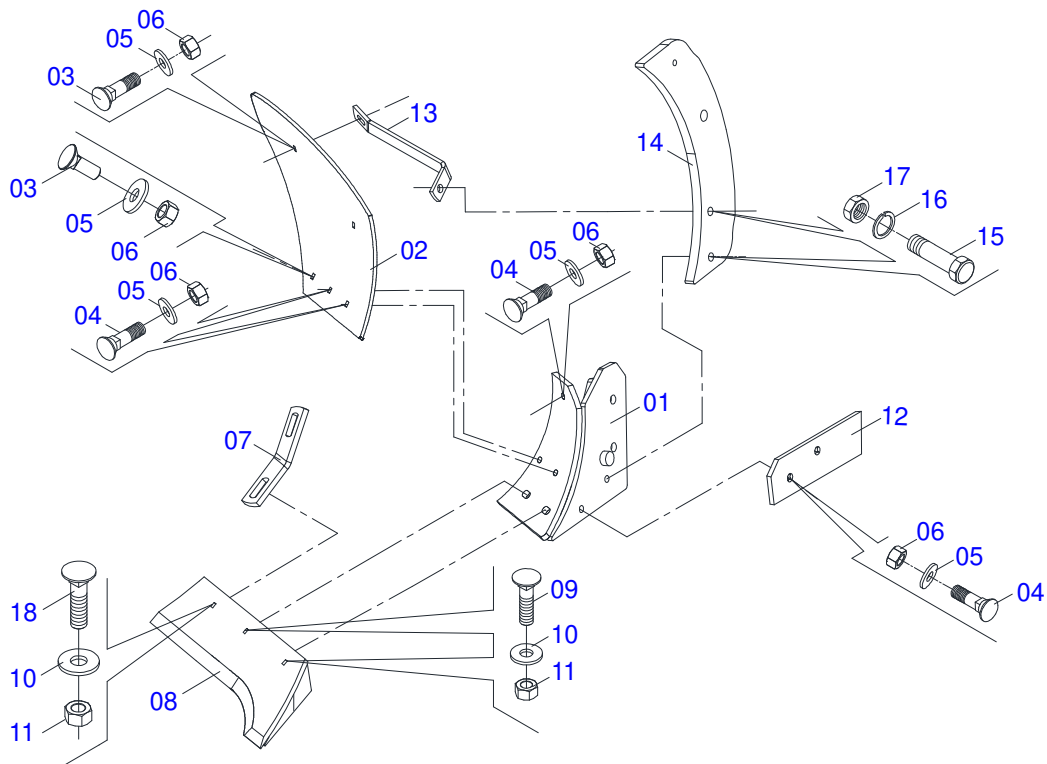


INDEX

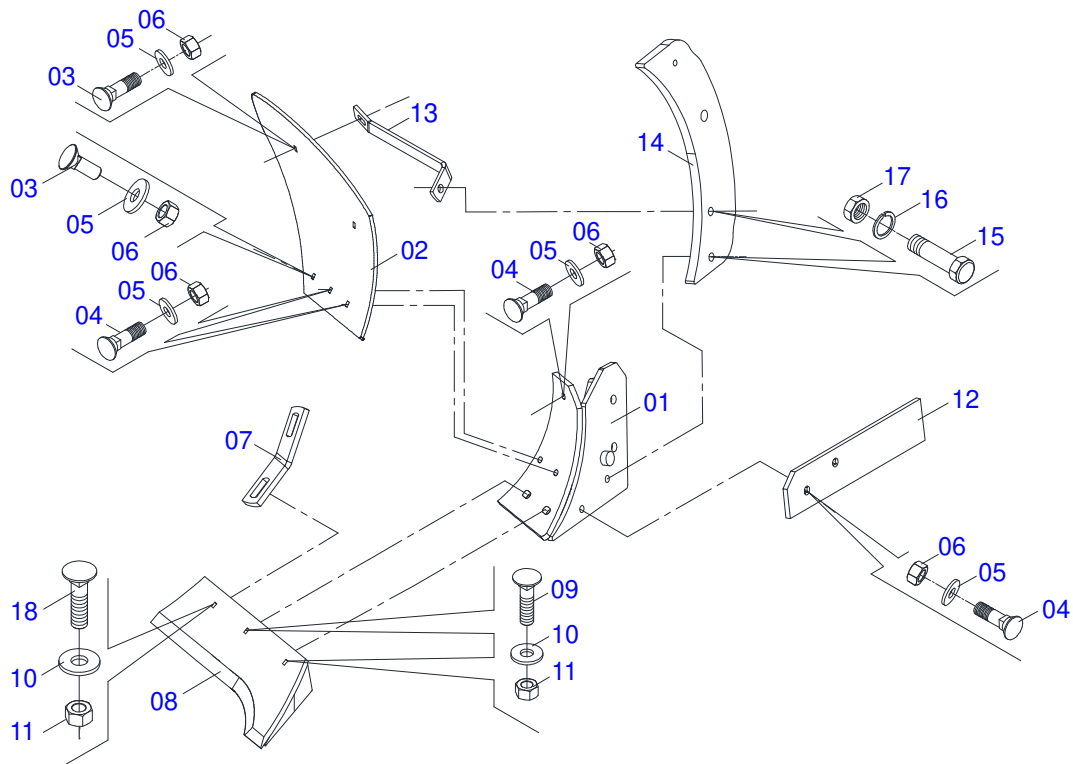
0909091719	ASSY FRAME	1
0501044474	FRONT FLAT MOLDBOARD ASSY	2
0501044475	REAR FLAT MOLDBOARD ASSY	3
0501042396	DEPTH WHEEL ASSY	4



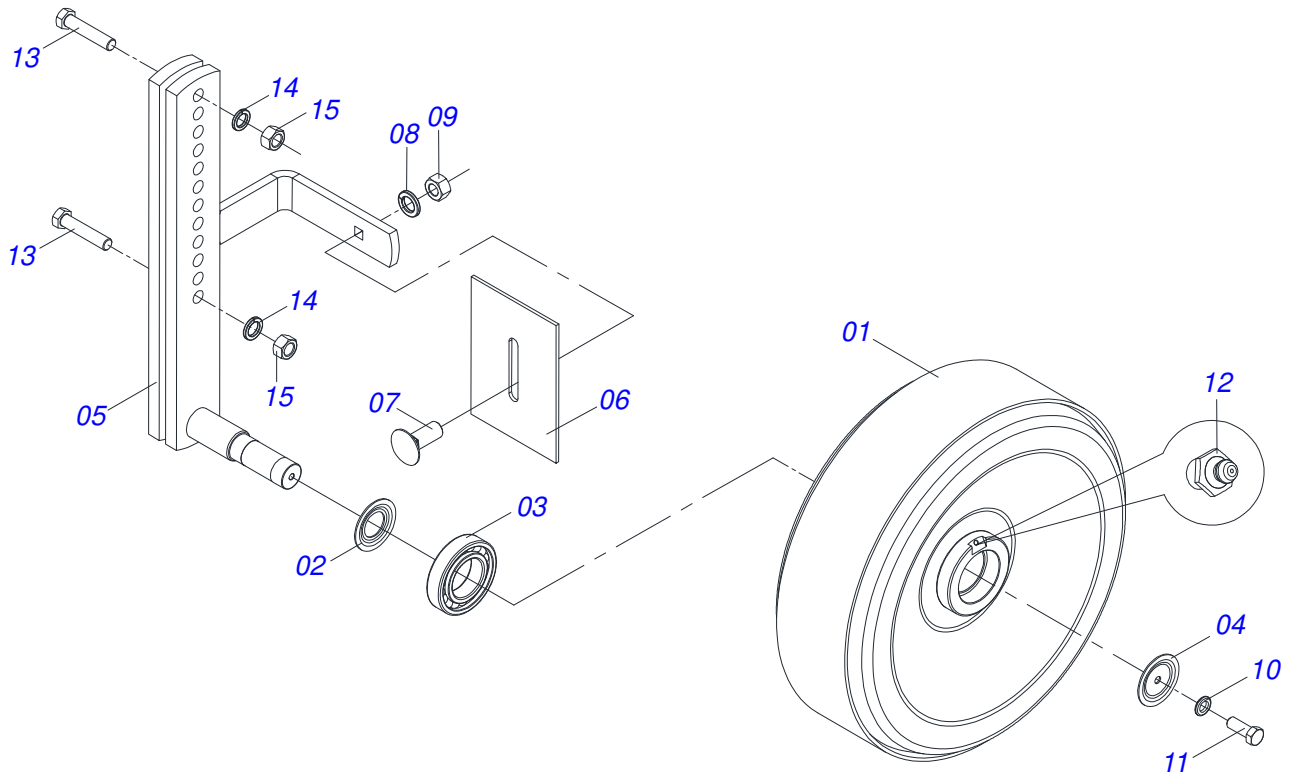
Item	Code	Description	See page	QT
01	0521069134	FRAME		01
02	0501044474	FRONT FLAT MOLDBOARD ASSY	2	04
03	0501044475	REAR FLAT MOLDBOARD ASSY	3	01
04	0551011551	FORK FIXER		05
05	0503014182	SELF-ADJUSTING NUT		05
06	0503010752	1/2" X 3.1/2" BOLT		05
07	0503010060	1/2" NUT		05
08	0521010580	COUPLING SHAFT		01
09	0521010596	COUPLING SHAFT		02
10	0503031035	HAIR PIN		03
11	0503034741	EMBLEM		01
12	0503033246	ADHESIVE LABEL		01
13	0503031827	LUBRICATE AND RETIGHTEN DAILY DECAL		01
14	0503034004	ALUMINUM IDENTIFICATION LABEL		01
15	0503010001	3.2 X 5.5 RIVET		04
16	0501042396	DEPTH WHEEL ASSY	4	01



Item	Code	Description	See page	QT
01	0511067684	SUPPORT MOLDBOARD		01
02	0629010006	WING MOLDBOARD		01
03	0503011426	7/16" X 1-1/4" BOLT		02
04	0503011199	7/16" X 1-1/2" BOLT		05
05	0501012803	FLAT WASHER		07
06	0503010244	7/16" NUT		07
07	0511014101	125 X 32 X 6,30 FIXER		01
08	0629013501	SHEAR POINT		01
09	0503014193	1/2" BSW X 2" BOLT		02
10	0511017302	FLAT WASHER		03
11	0503012682	1/2" BSW NUT		03
12	0622380014	POINT		01
13	0511013715	17" ATTACHMENT BAR		01
14	0521010381	ARM AAH		01
15	0503010901	3/4UNC 3.1/2 BOLT		02
16	0503011442	3/4" SPRING WASHER		02
17	0503010014	3/4" NUT		02
18	0503012956	1/2" X 1-1/2" BOLT		01



Item	Code	Description	See page	QT
01	0511067684	SUPPORT MOLDBOARD		01
02	0629010006	WING MOLDBOARD		01
03	0503011426	7/16" X 1-1/4" BOLT		02
04	0503011199	7/16" X 1-1/2" BOLT		05
05	0501012803	FLAT WASHER		07
06	0503010244	7/16" NUT		07
07	0511014101	125 X 32 X 6,30 FIXER		01
08	0629013501	SHEAR POINT		01
09	0503014193	1/2" BSW X 2" BOLT		02
10	0511017302	FLAT WASHER		03
11	0503012682	1/2" BSW NUT		03
12	0622380014	POINT		01
13	0511013715	17" ATTACHMENT BAR		01
14	0521010381	ARM AAH		01
15	0503010901	3/4UNC 3.1/2 BOLT		02
16	0503011442	3/4" SPRING WASHER		02
17	0503010014	3/4" NUT		02
18	0503012956	1/2" X 1-1/2" BOLT		01



Item	Code	Description	See page	QT
01	0501063799	WHEEL	01	01
02	0501017454	2.8" X 1.4" X 0.75" DUST CLOAK	02	02
03	0503010816	6207 RS ROLLER BEARING	01	01
04	0501017455	2.8" X 0.4" X 0.75" DUST CLOAK	01	01
05	0501066364	DEPTH WHEEL ARM	01	01
06	0501013138	SCRAPER	01	01
07	0501011600	1/2" X 1-1/4" BOLT	01	01
08	0503011440	SPRING WASHER	01	01
09	0503812682	NUT (BSW)	01	01
10	0503011443	3/8" SPRING WASHER	01	01
11	0503010237	3/8" X 1" BOLT	01	01
12	0503010002	1800 GREASE FITTING	01	01
13	0501011541	5/8" X 3" BOLT	02	02
14	0503010027	5/8" SPRING WASHER	02	02
15	0503010013	5/8" NUT	02	02



civemasa

Technical Publications | Elaboration and Revision

ALESSANDRA PATRICIA KAWAHARA CARRILI

www.civemasa.com.br

