

DISK HARROWS

GACCRL - 19/21/23/25

Code: 0501093087

Series: S-0697

Revision: 00

Revision Date: AGOSTO/2021

PARTS CATALOGUE

CIVEMASA

PRODUCTS

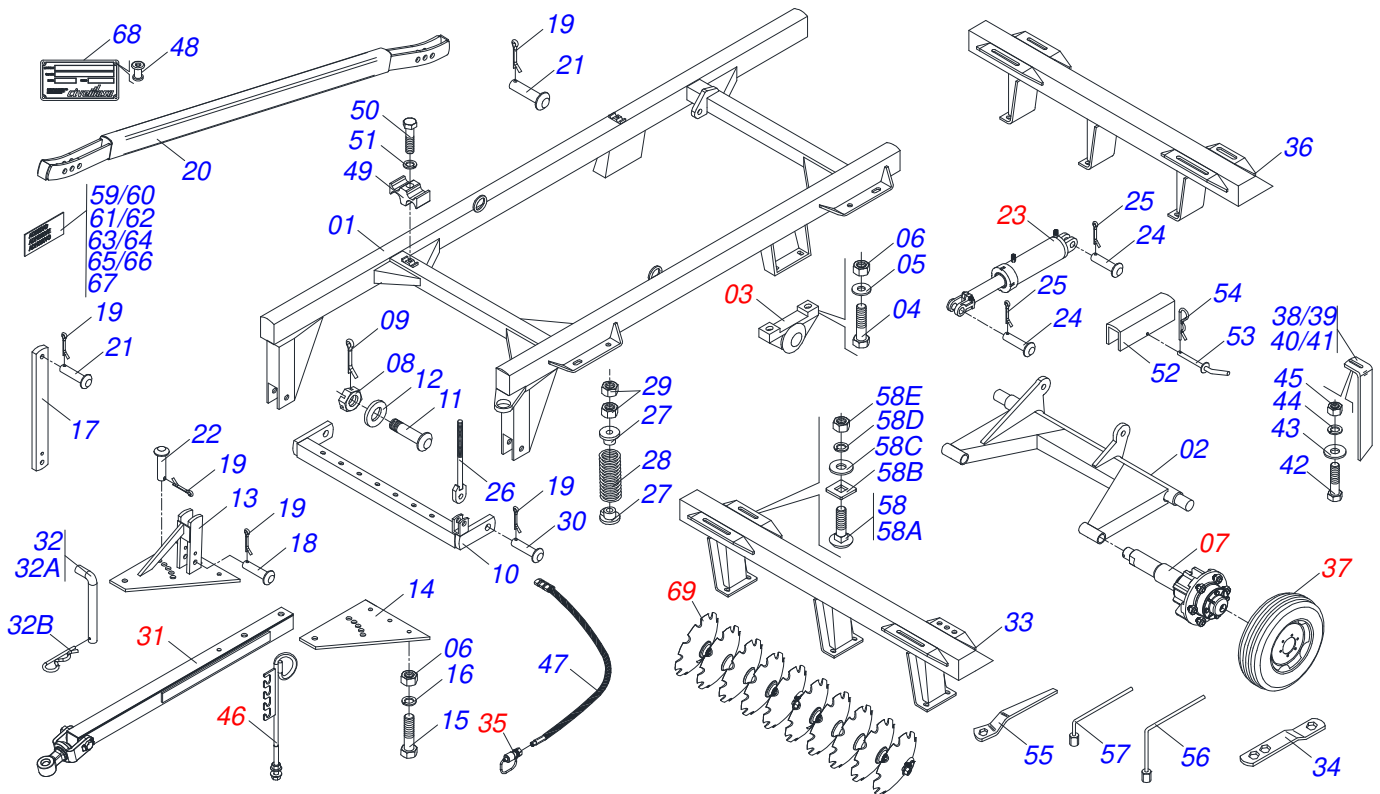
Code	Description
0120700062	GACCRL 19X24X4,75 DM 61570184
0120700063	GACCRL 21X24X4,75 R DM 61570193
0120700074	GACCRL 21X24X4,75 R DM C/PRO
0120700067	GACCRL 23 X 26 X 6,00 DM 61570239 S-0697
0120700075	GACCRL 23X24X4,75 R DM C/PRO
0120700064	GACCRL 23X24X4,75 R DM 61570202
0120700068	GACCRL 25 X 26 X 6,00 DM 61570249 S-0697
0120700076	GACCRL 25X24X4,75 R DM C/PRO
0120700065	GACCRL 25X24X4,75 R DM 61570211
0120700062C	GACCRL 6009 19X24X4,75 DM C/PROT EXP S-0697
0120700074C	GACCRL 6009 21X24X4,75 R DM C/PRO EXP S-0697
0120700075C	GACCRL 6009 23X24X4,75 R DM C/PRO EXP S-0697
0120700076C	GACCRL 6009 25X24X4,75 R DM C/PRO EXP S-0697

ATTENTION: IMPORTANT

Civemasa reserves the right to improve and / or modify the technical features of its products, without obligation to do the same with those products already sold and without prior knowledge of the dealer or the consumer.

INDEX

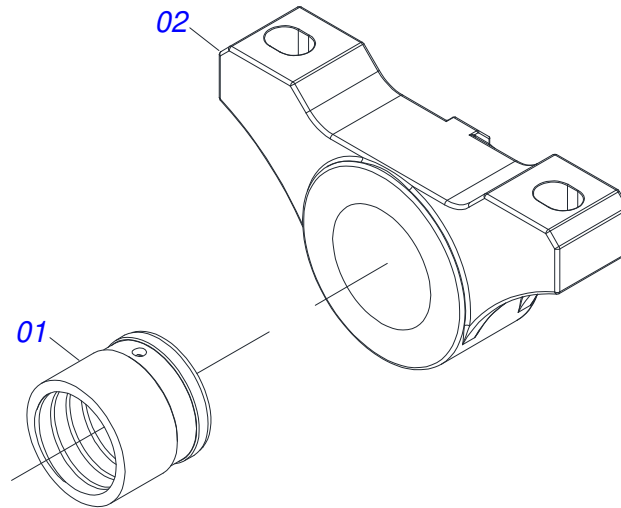
0909095960	ASSY FRAME	1
0501110856	ARTICULACION BEARING	2
0501051634	TSTUB SHAFT & HUB ASSY	3
0501051142	CARRYING WHEEL HUB	4
0511059180	HYDRAULIC CYLINDER	5
0501041096	DRAWBAR ASSY	6
0501053834	MALE QUICK COUPLER WITH CAP - 1/2 NPT	7
0503060091	L29.5"X0.63"-10L WHEEL AND	8
0501040257	3/4 X 1200 HOSE HOLDER A	9
0503011360	HOSE KIT	10
0909095961	GANG DISC - 19/21/23/25	11
0501044315	9" X 1-1/2" OIL BATH BEARING	12
0501046311	OIL BATH BEARING	13



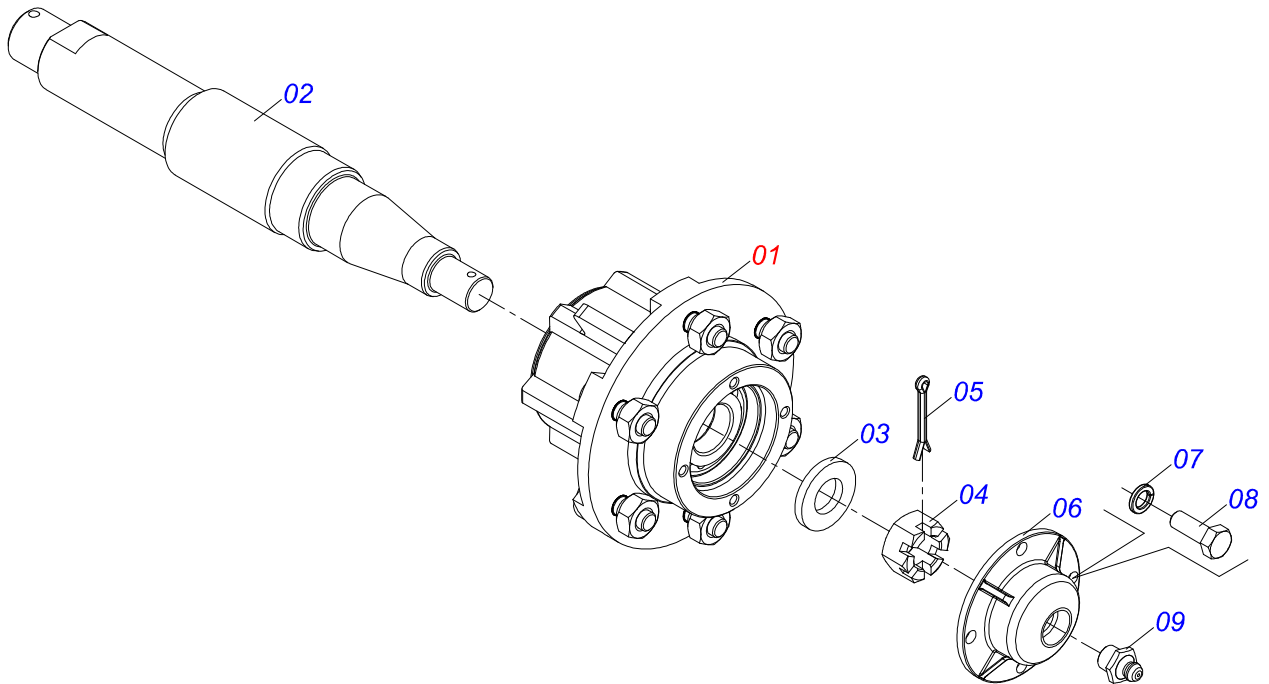
Item	Code	Description	See page	19	21	23	25
01	0511069787	FRAME		01	01	01	01
02	0501065518	CARRYING-WHEELS		01	01	01	01
03	0501110856	ARTICULACION BEARING	2	02	02	02	02
04	0503010797	3/4" X 4" BOLT		04	04	04	04
05	0501010322	FLAT WASHER		04	04	04	04
06	0503010014	3/4" NUT		20	20	20	20
07	0501051634	TSTUB SHAFT & HUB ASSY	3	02	02	02	02
08	0501011301	1.1/2 UNC 6FPP 2.5/16 NUT		04	04	04	04
09	0503010010	1/4" X 2.1/2" COTTERPIN		04	04	04	04
10	0501063260	OFFSET BAR		01	01	01	01
11	0521017538	11-1/2" X 5" COUPLING SHAFT		04	04	04	04
12	0511019880	FLAT WASHER		04	04	04	04
13	0501066099	UPPER PLATE WITH SUPPORT		01	01	01	01
14	0501010241	UPPER /LOWER PLATE		01	01	01	01
15	0503011198	C3/4" X 6" SCREW		03	03	03	03
16	0503011442	3/4" SPRING WASHER		04	04	04	04
17	0511012972	TSTABILIZER BAR TOWER		01	01	01	01
18	0521010575	C0.9" X 3.3" COUPLING SHAFT		01	01	01	01
19	0503010571	1/4" X 1.1/2 COTTERPIN		05	05	05	05
20	0511066932	CSTABILIZER BARCOTTERPIN		01	01	01	01
21	0521810576	COUPLING SHAFT		02	02	02	02
22	0521010584	C0.9" X 5.7" COUPLING SHAFT		01	01	01	01
23	0511059180	HYDRAULIC CYLINDER	5	00	00	01	01
24	0521012538	1.2" X 3.5" COUPLING SHAFT		02	02	02	02
25	0503010523	1/4" X 2" COTTERPIN		03	03	03	03
26	0501064698	SPRING ROD		01	01	01	01
27	0502020392	SPRING SUPPORT		02	02	02	02
28	0503030441	12.7" X 5.7" X 0.5"SPRING		01	01	01	01
29	0501010059	1.5/8 NUT		11	11	11	11
30	0521010592	1.1" X 3.1" COUPLING SHAFT		01	01	01	01
31	0501041096	DRAWBAR ASSY	6	01	01	01	01

ASSY FRAME

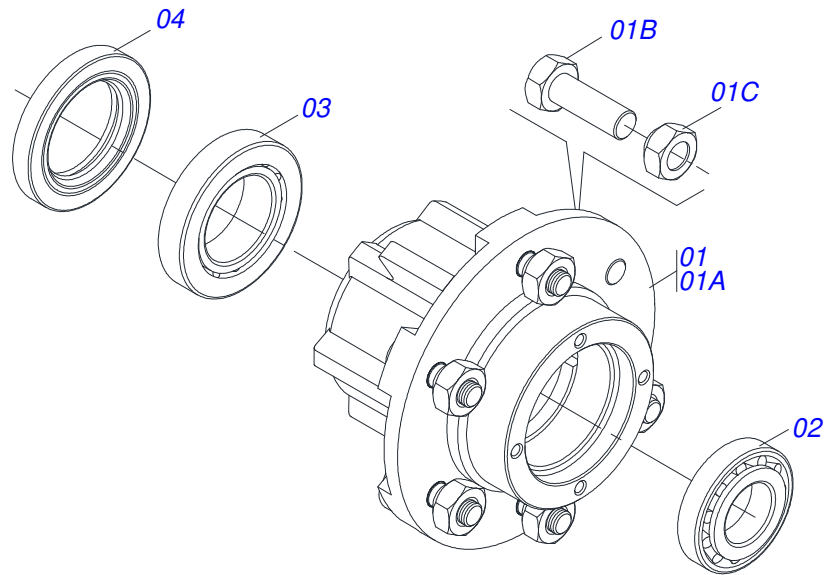
Item	Code	Description	See page	19	21	23	25
32	0501040343	DRAWBOLT ASSY		01	01	01	01
32A	0521010453	AXI SHAFT		01	01	01	01
32B	0503031035	HAIR PIN		01	01	01	01
33	0501065312	FRONT FRAME		01	00	00	00
33.	0511069176	FRONT FRAME		00	01	01	00
33..	0521060098	FRONT FRAME		00	00	01	01
34	0511018451	5/8" X 3/4" X 1" UNIVERSAL		01	01	01	01
35	0501053834	MALE QUICK COUPLER WITH CAP - 1/2 NPT	7	02	02	02	02
36	0501068747	REAR FRAME		01	00	00	00
36.	0511069177	REAR FRAME		00	01	00	00
36..	0511069401	REAR FRAME		00	00	01	00
36...	0521060099	REAR FRAME		00	00	00	01
37	0503060091	L29.5"X0.63"-10L WHEEL AND	8	02	02	02	02
38	0501064168	REAR SCRAPER		05	05	06	07
39	0501066449	CLEANER FRONT		03	04	04	04
40	0501064167	REAR SCRAPER		06	06	07	08
41	0501066450	CLEANER REAR		03	04	04	04
42	0503011082	C1/2" X 1.3/4" SCREW		34	38	42	44
43	0511017302	FLAT WASHER		34	38	42	44
44	0503010019	1/2" SPRING WASHER		34	38	42	44
45	0503010060	1/2" NUT		34	38	42	44
46	0501040257	3/4 X 1200 HOSE HOLDER A	9	01	01	01	01
47	0503011360	HOSE KIT	10	01	01	01	01
48	0503010001	3.2 X 5.5 RIVET		04	04	04	04
49	0502012702	BODY SUPPORT CLAMP		02	02	02	02
50	0503010751	C3/8" X 1.1/4" HEX BOLT G.5		02	02	02	02
51	0503010025	3/8" SPRING WASHER		02	02	02	02
52	0511010839	TRANSPORT LOCK 7.9" X 2.1" X 0.4"		01	01	01	01
53	0501068994	0.3" X 3.1"LOCK PIN		01	01	01	01
54	0503030168	HAIR PIN		01	01	01	01
55	0501011432	1-1/2" AND 1-5/8 GANG BOLT WRENCH		02	02	02	02
56	0501061617	1" GANG BOLT WRENCH		01	01	01	01
57	0501068273	5/8" WRENCH		01	01	01	01
58	0501040877	C1" X 3-1/4" ASSY BOLT		08	08	08	08
58A	0501010171	BOLT 1 UNC X 3.1/2 C S G.5		01	01	01	01
58B	0502012861	1" SQUARE WASHER		01	01	01	01
58C	0501010065	1" SPRING WASHER		01	01	01	01
58D	0503010012	1" SPRING WASHER		01	01	01	01
58E	0501010059	1.5/8 NUT		01	01	01	01
59	0503032240	BADGE		02	02	02	02
60	0503031428	READ MANUAL DECAL		03	03	03	03
61	0503033647	APPROVED BADGE		01	01	01	01
62	0503031827	LUBRICATE AND RETIGHTEN DAILY DECAL		01	01	01	01
63	0503034355	EMBLEM		02	02	02	02
64	0503031738	ADHESIVE LABEL		01	01	01	01
65	0503031739	ADHESIVE LABEL		01	01	01	01
66	0503033038	DANGER SIGN		01	01	01	01
67	0503034078	LIFTING POINTS DECAL		04	04	04	04
68	0503034004	ALUMINUM IDENTIFICATION LABEL		01	01	01	01
69	0909095961	GANG DISC - 19/21/23/25	11	01	01	01	01



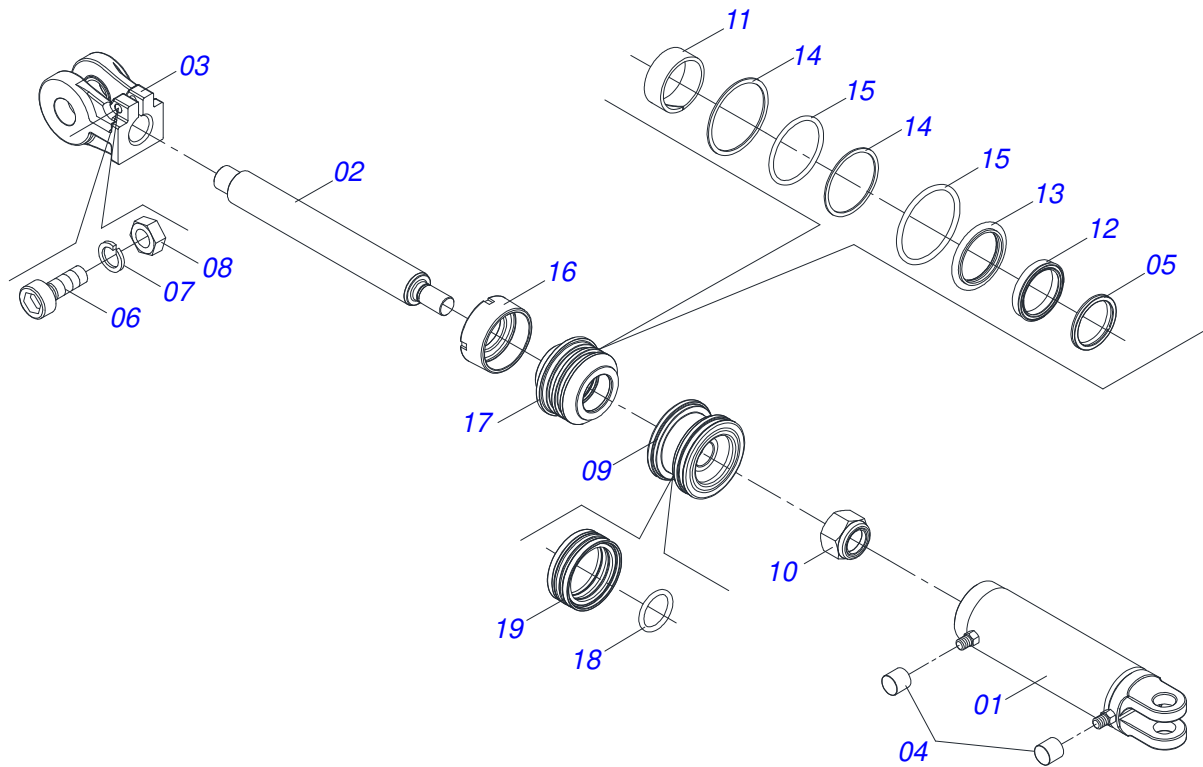
Item	Code	Description	See page	QT
001	0581012980	SLEEVE		01
002	0502010006	ARTICULACION BEARING		01



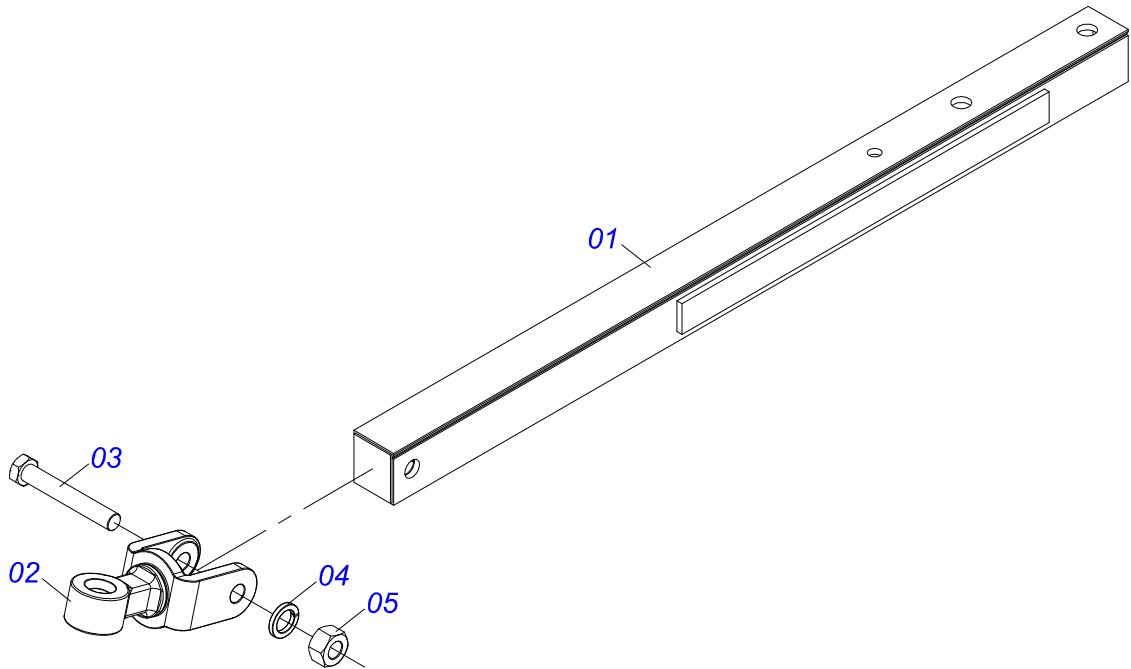
Item	Code	Description	See page	QT
01	0501051142	CARRYING WHEEL HUB	4	01
02	0521010821	2.5" X 16.5" AXLE		01
03	0501016545	FLAT WASHER		01
04	0503030009	1" CASTLE NUT		01
05	0503010018	5/32 X 1-1/2 COTTERPIN		01
06	0502020591	PROTECCION COVER		01
07	0503011444	SPRING WASHER		04
08	0503010358	5/16" X 5/8" BOLT		04
09	0503010002	1800 GREASE FITTING		01



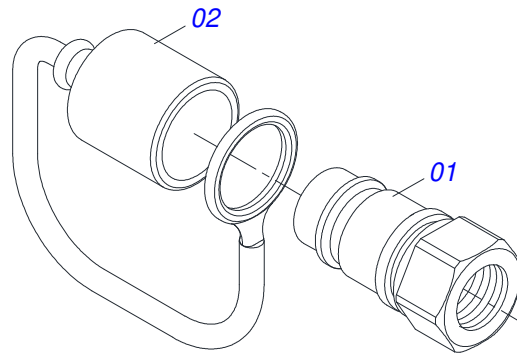
Item	Code	Description	See page	QT
01	0501110728	WHEEL HUB		01
01A	0502011121	CARRYING WHEEL HUB		01
01B	0501010127	9/16" X 1-7/8" LUG BOLT		06
01C	0503010035	9/16" CONIC NUT		06
02	0503010037	30207 ROLLER BEARING		01
03	0503010006	32210 ROLLER BEARING		01
04	0503012928	SEAL		01



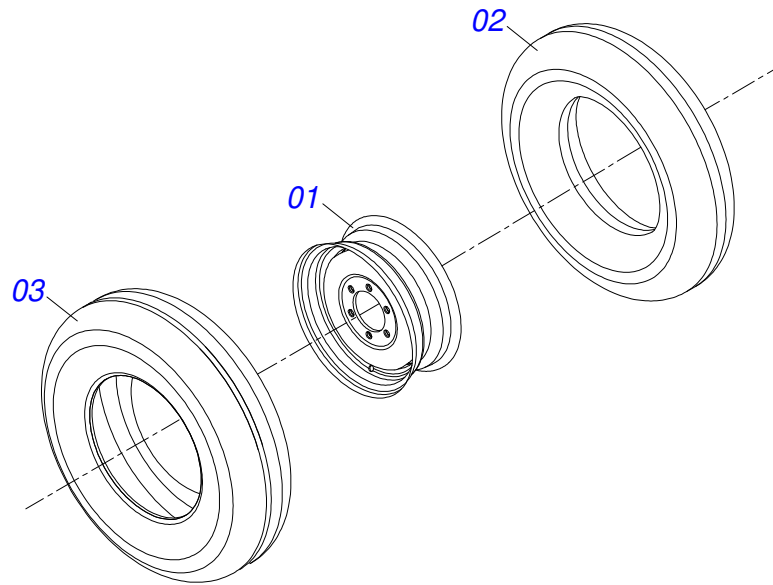
Item	Code	Description	See page	QT
01	0511070658	CYLINDER CASE	01	01
02	0571019958	HYDRAULIC CYLINDER TURNBUCKLE	01	01
03	0502040747	32.54 CLEVIS CLAMP	01	01
04	0503030385	CYLINDER PLUG N-002	02	02
05	0503010039	D-2000 SCRAPER RING	01	01
06	0503011094	3/8" X 2" BOLT	01	01
07	0503011443	3/8" SPRING WASHER	01	01
08	0503010026	3/8" NUT	01	01
09	0502012820	50.80 X 101.60 PISTON	01	01
10	0503010817	1.1/4" SELF LOCKING NUT	01	01
11	0503018025	RING GUIDE	01	01
12	0503018026	1870-2000-375 B GASKET	01	01
13	0503018024	RING BS	01	01
14	0503010338	2-342 N 3006-9B O'RING	02	02
15	0503011061	8-342 BACK-UP RING	02	02
16	0502012822	101.60 END CAP	01	01
17	0502012821	50.80 X 101.60 RING SUPPORT	01	01
18	0503018029	2-217 O'RING	01	01
19	0503015633	SELEMASTER SEALING	01	01



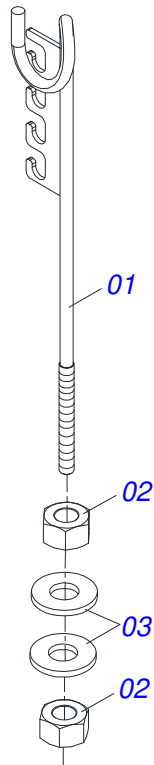
Item	Code	Description	See page	QT
01	0501060188	DRAWBAR ASSY		01
02	0521061775	TRACTOR HITCH		01
03	0501010060	1" X 6-1/2" BOLT		01
04	0503011438	SPRING WASHER		01
05	0501010059	1.5/8 NUT		01



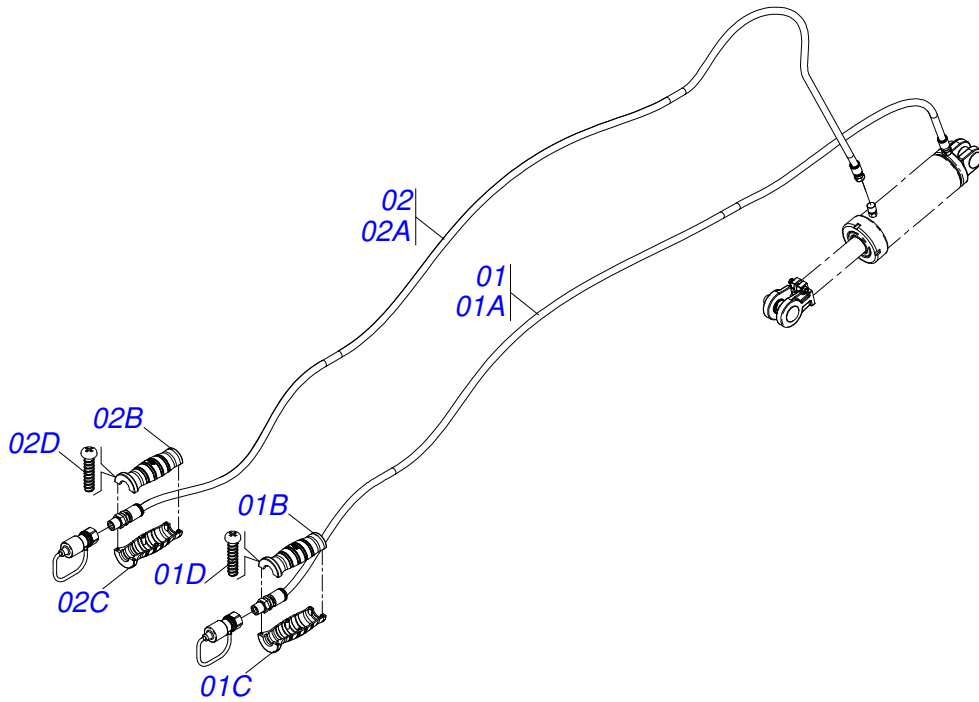
Item	Code	Description	See page	QT
01	0503011627	MALE QUICK COUPLER AGR 1/2 NPT		01
02	0503011882	MALE QUICK COUPLER CAP		01



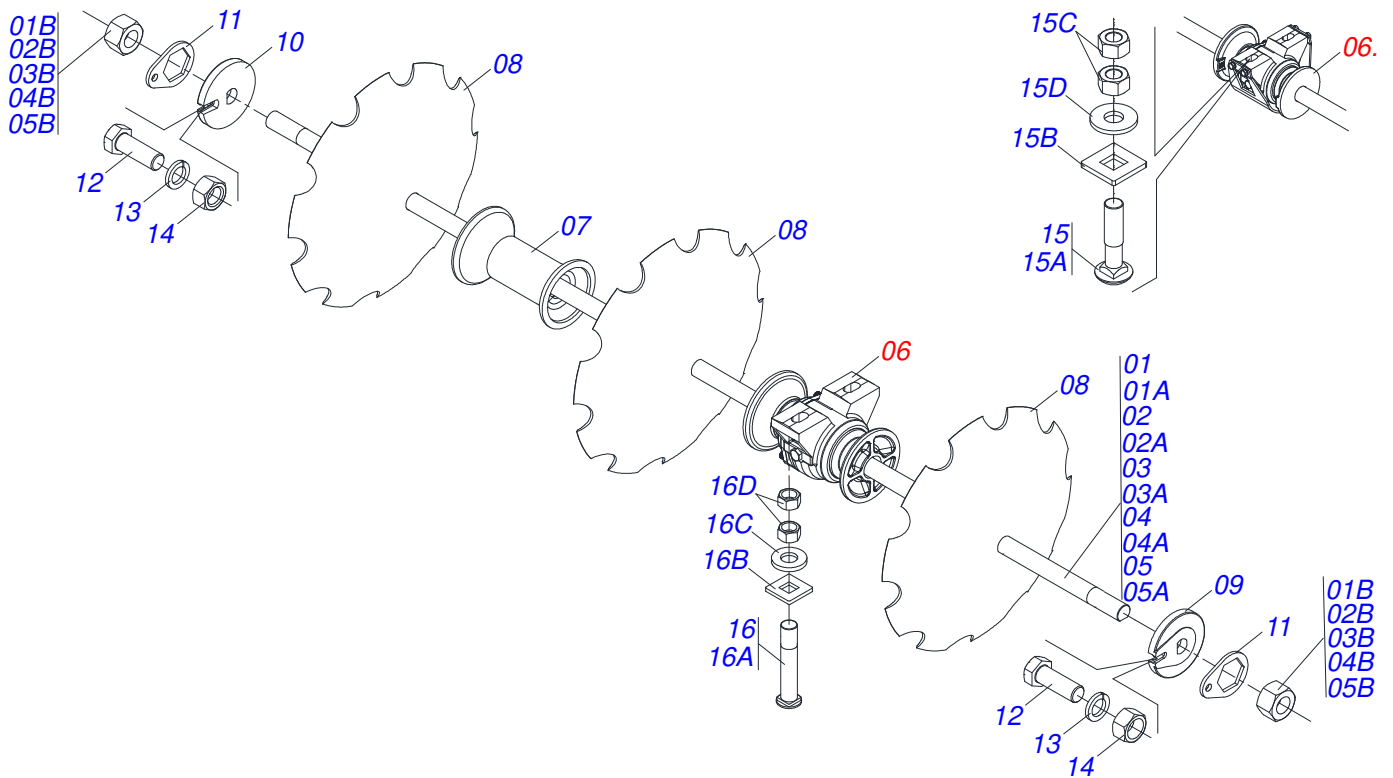
Item	Code	Description	See page	QT
01	0503010893	WHEEL		01
02	0503010033	7.50 X 16 INNER TIRE		01
03	0503010120	CANVAS TIRE		01



Item	Code	Description	See page	QT
01	0511067334	HOSE SOPPORT ASSY		01
02	0503010014	3/4" NUT		02
03	0501010322	FLAT WASHER		02

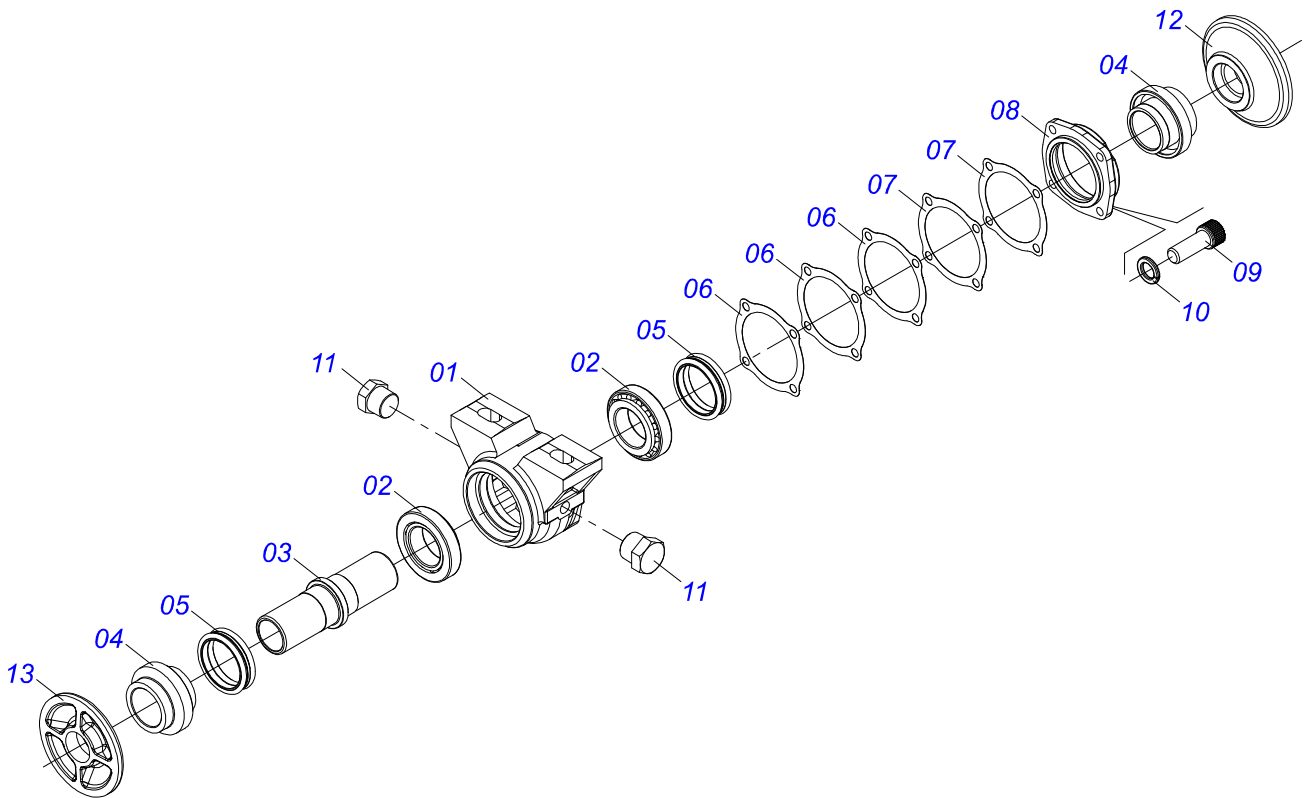


Item	Code	Description	See page	QT
01	0521056233	3/8 X 6000 TR-TM HOSE BLACK / RED		01
01A	0501080443	3/8" X 236" TR-TM HOSE		01
01B	0503034495	HYDRAULIC HOSE GRIP (RED)		01
01C	0503034492	HYDRAULIC HOSE GRIP (BLACK)		01
01D	0503018952	PLASTIC BOLT		06
02	0521055893	3/8 X 5850 TR-TM HOSE BLACK / BLUE		01
02A	0501080421	3/8" X 230" TR-TM HOSE ASS		01
02B	0503034492	HYDRAULIC HOSE GRIP (BLACK)		01
02C	0503034494	HYDRAULIC HOSE GRIP (BLUE)		01
02D	0503018952	PLASTIC BOLT		06

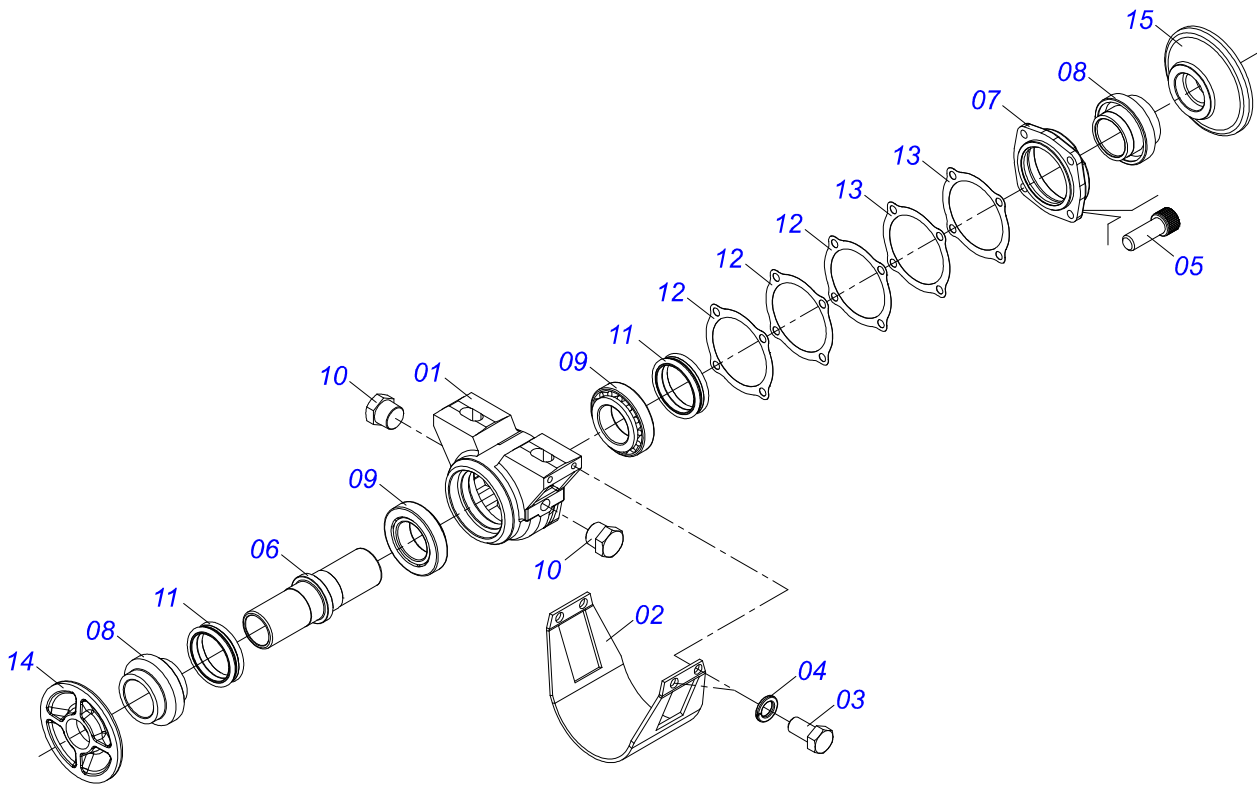


Item	Code	Description	See page	19	21	23	25
01	0501043697	1.1/2" X 1505 AXLE ASSY		00	00	01	01
01A	0511012601	1.1/2" X 1505 AXLE		00	00	01	01
01B	0501010110	1.1/2" NUT		00	00	02	02
02	0501043756	1-1/2" X 77" AXLE WITH NUTS		02	00	00	00
02A	0511010230	1-1/2" X 77" AXLE		01	00	00	00
02B	0501010110	1.1/2" NUT		02	00	00	00
03	0501043835	1.1/2" X 1040 AXLE W/NUT		00	03	02	00
03A	0511010224	1.1/2" X 1040 AXLE		00	01	01	00
03B	0501010110	1.1/2" NUT		00	02	02	00
04	0501043689	1-1/2" X 1275 AXLE W/NUT		00	01	01	03
04A	0511012600	1-1/2" X 1275 AXLE		00	01	01	01
04B	0501010110	1.1/2" NUT		00	02	02	02
05	0501043757	1-1/2" X 86" AXLE WITH NUTS		01	00	00	00
05A	0511012602	1-1/2" X 86" AXLE		01	00	00	00
05B	0501010110	1.1/2" NUT		02	00	00	00
06	0501044315	9" X 1-1/2" OIL BATH BEARING	12	06	08	08	08
06.	0501046311	OIL BATH BEARING	13	06	08	08	08
07	0502010621	8.8" 1-1/2" SPACER		11	09	11	13
08	0602030237	24" X 4,75" NOTCHED DISC BLADE		17	19	00	00
08.	0602029396	22X4,75 NOTCHED DISC BLADE		01	01	10	01
08..	0602027355	20 X 3,5 NOTCHED DISC BLADE		01	00	00	00
09	0502010871	1-1/2" EXTERNAL AXLE WASHER		02	04	04	04
10	0502010872	1-1/2" INNER AXLE WASHER		02	04	04	04
11	0501018592	1.5/8" NUT LOCK		04	08	08	08
12	0503011267	BOLT 5/8 UNC X 1.1/2 C S G.5 ZN		04	08	08	08
13	0503010027	5/8" SPRING WASHER		04	08	08	08
14	0503010013	5/8" NUT		04	08	08	08
15	0501048788	IMPLEMENT PARTS ASSY 5/8 UNC X 2.1/2 CA		00	16	16	16
15A	0501014177	5/8" X 2-1/2" BOLT		00	16	16	16
15B	0501010947	5/8 NUT LOCK		00	16	16	16
15C	0503010013	5/8" NUT		00	16	16	16

Item	Code	Description	See page	19	21	23	25
15D	0501012140	FLAT WASHER		00	16	16	16
16	0501058802	5/8 UNC X 2.3/4 BOLT ASSY		12	00	00	00
16A	0503015154	5/8" X 2.3/4" BOLT		01	00	00	00
16B	0501010947	5/8 NUT LOCK		01	00	00	00
16C	0501012140	FLAT WASHER		01	00	00	00
16D	0503010013	5/8" NUT		02	00	00	00



Item	Code	Description	See page	QT
01	0502010540	HOUSING DM		01
02	0503010006	32210 ROLLER BEARING		02
03	0502040611	AXLE		01
04	0502010821	SEAL RETAINER		02
05	0503030026	SEAL LP JB-253		02
06	0503030013	4.4" X 3.5" X 0.004" JOINT		03
07	0503030684	4.4" X 3.5" X 0.004" JOINT		02
08	0502020424	HOUSING CAP		01
09	0503010134	3/8" X 1" BOLT		04
10	0503011443	3/8" SPRING WASHER		04
11	0503010856	OIL PLUG		02
12	0502010604	OUTER FLANGE		01
13	0502010605	INNER FLANGE		01



Item	Code	Description	See page	QT
01	0502011751	OIL HOUSING BEARING		01
02	0511010829	BEARING GUARD		01
03	0503011334	BOLT 3/8 UNC X 3/4 CS G.5 ZN		04
04	0503010025	3/8" SPRING WASHER		04
05	0503010134	3/8" X 1" BOLT		04
06	0502040611	AXLE		01
07	0502020424	HOUSING CAP		01
08	0502010821	SEAL RETAINER		02
09	0503010006	32210 ROLLER BEARING		02
10	0503010856	OIL PLUG		02
11	0503030026	SEAL LP JB-253		02
12	0503030013	4.4" X 3.5" X 0.004" JOINT		03
13	0503030684	4.4" X 3.5" X 0.004" JOINT		02
14	0502010605	INNER FLANGE		01
15	0502010604	OUTER FLANGE		01



civemasa

Technical Publications | Elaboration and Revision

LORENA ROCHA ALVES

www.civemasa.com.br

