

SUBSOILER PLOUGH

STAC 5M DC RD

Code: 0501093060
Series: S-1003
Revision: 00
Revision Date: AGOSTO/2021

PARTS CATALOGUE


CIVEMASA

PRODUCTS

Code	Description	
0120370143	STAC 5M DC RD	6153941 S-1003

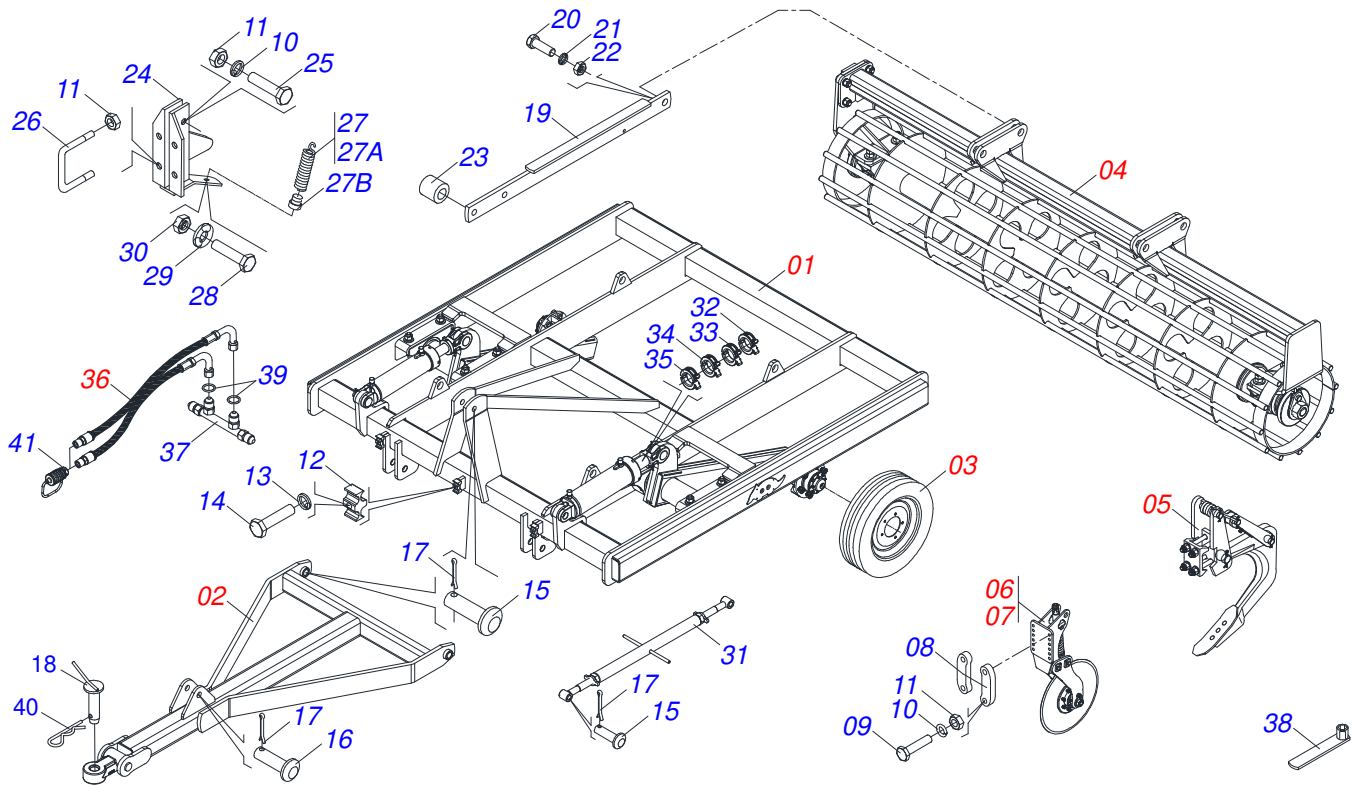
ATTENTION: IMPORTANT

Civemasa reserves the right to improve and / or modify the technical features of its products, without obligation to do the same with those products already sold and without prior knowledge of the dealer or the consumer.



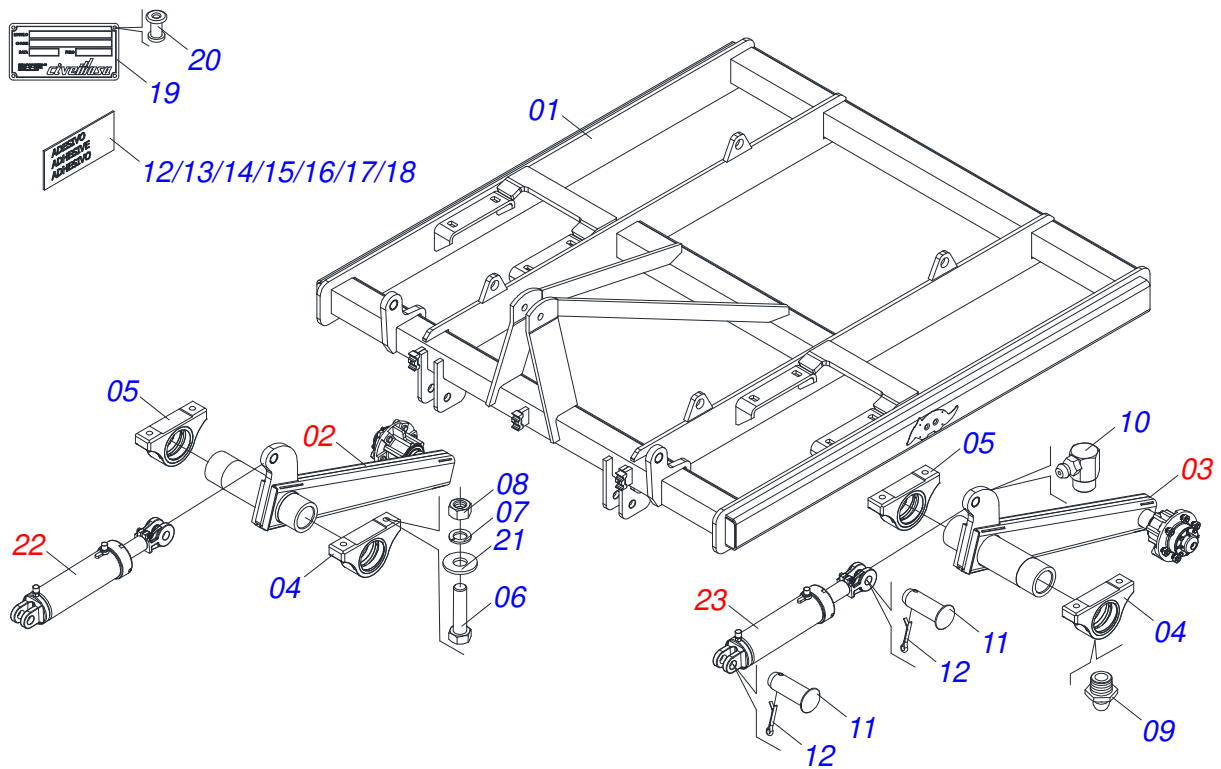
INDEX

0909095953	FRAME ASSY	1
0521045672	SEMI MOUNTED FRAME	2
0501054990	FURROW WHEEL RIGHT SUPPORT	3
0501054991	LH SUPPORT STUB SHAFT & HUB	4
0501051142	CARRYING WHEEL HUB	5
0521045646	HYDRAULIC CYLINDER	6
0521045647	HYDRAULIC CYLINDER	7
0521044408	DRAWBAR	8
0503060091	L29.5"X0.63"-10L WHEEL AND	9
0501046922	7.5" X 1-1/4" OIL BATH BEARING	10
0521053291	ARM ROLLER	11
0511045923	SHANKS SYSTEM ASSY	12
0521040616	FRONT CUTTING DISC	13
0511053370	24" X 7,5 BLADE DISC ASSY	14
0501057526	DISC HUB	15
0521040619	REAR CUTTING DISC	16
0501047356	ESTABILIZER ASSY	17
0511058297	HOSE SET 3/8	18
0501053834	MALE QUICK COUPLER WITH CAP - 1/2 NPT	19

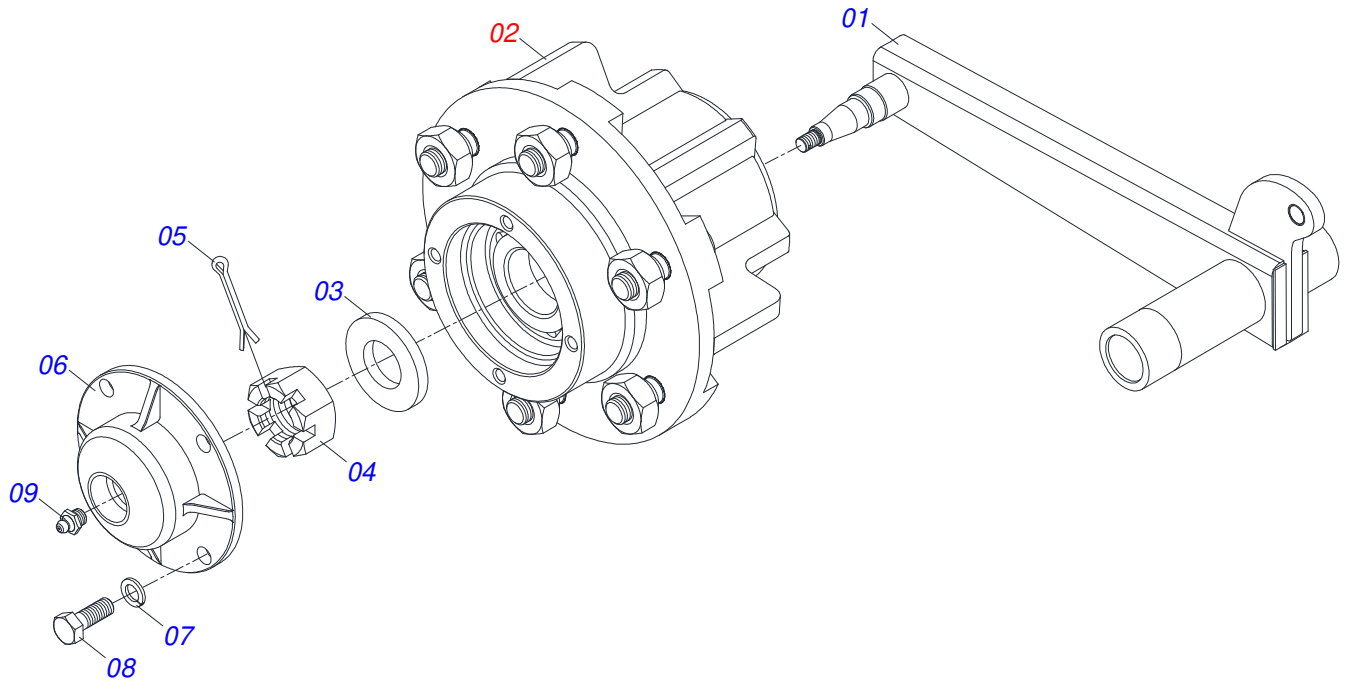


Item	Code	Description	See page	QT
01	0521045672	SEMI MOUNTED FRAME	2	01
02	0521044408	DRAWBAR	8	01
03	0503060091	L29.5"X0.63"-10L WHEEL AND	9	02
04	0521053291	ARM ROLLER	11	01
05	0511045923	SHANKS SYSTEM ASSY	12	01
06	0521040616	FRONT CUTTING DISC	13	02
07	0521040619	REAR CUTTING DISC	16	03
08	0571011609	FIXER PLATE CUTTING DISC		14
09	0503014744	3/4 UNF X 7.1/2 C S G.7 ZN BOLT		28
10	0503010023	3/4" SPRING WASHER		30
11	0503010335	3/4"NUT		30
12	0502012702	BODY SUPPORT CLAMP		03
13	0503010180	7/16" SPRING WASHER		03
14	0503012555	SCREW 7/16 UNC X 2 CS RT G.7 ZN		03
15	0521010596	COUPLING SHAFT		02
16	0521010579	COUPLING SHAFT		02
17	0503010571	1/4" X 1.1/2 COTTERPIN		04
18	0501069080	COUPLING SHAFT		01
19	0511069306	FIXER ROLLER ARM		02
20	0501010276	BOLT		04
21	0503010012	1" SPRING WASHER		04
22	0501010059	1.5/8 NUT		04
23	0511018178	BUSHING		02
24	0501068437	BREAK ROLLER SUPPORT FIXATION		02
25	0501010827	3/4" X 2-3/4" BOLT		02
26	0521014574	3/4" FASTENE		04
27	0501053355	HITCH TRACTION SPRING		02
27A	0503030806	2.3" X 8" X 0.3" TRACTION SPRING		01
27B	0502011060	SUPPORT SPRING		01
28	0503011264	1/2" X 2-1/2" BOLT		02
29	0511017302	FLAT WASHER		02

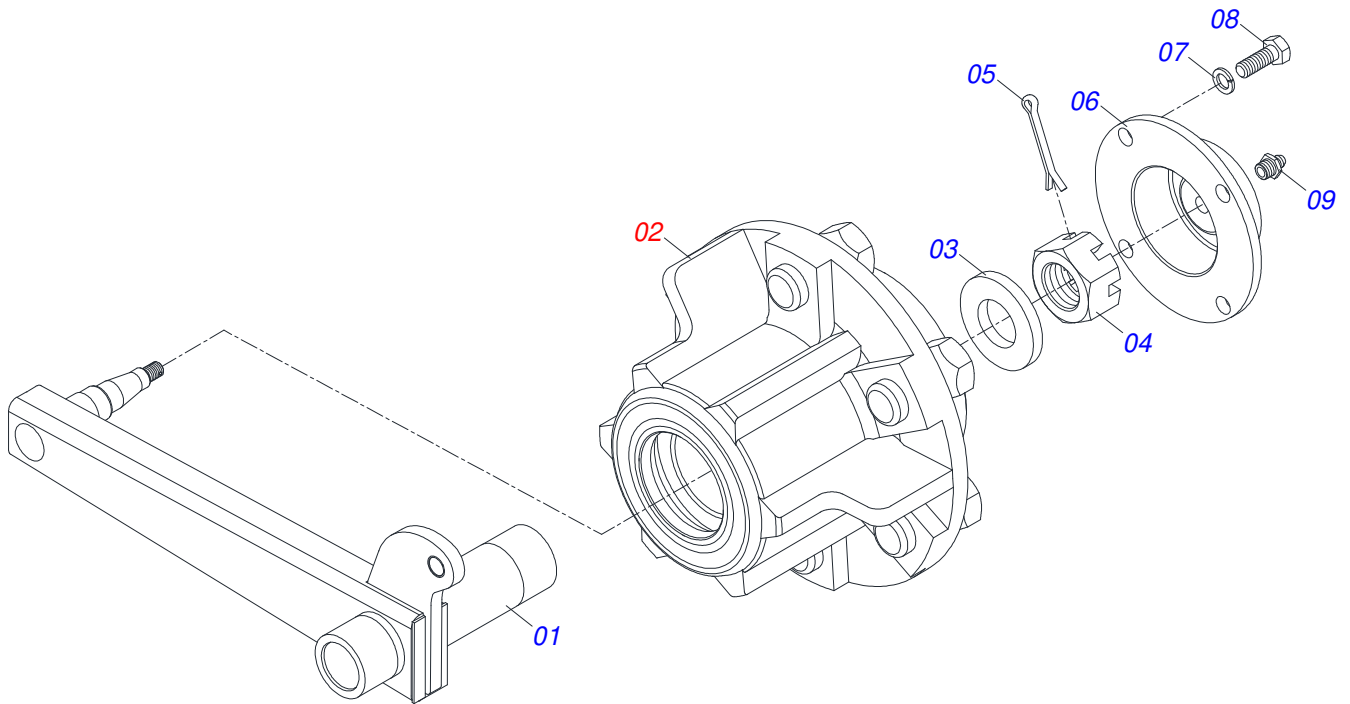
Item	Code	Description	See page	QT
30	0503010060	1/2" NUT		02
31	0501047356	ESTABILIZER ASSY	17	01
32	0501047887	ROD STOP		02
33	0501047889	1.96" ROD STOP		02
34	0501047895	ROD STOP		06
35	0501047885	ROD STOP		06
36	0511058297	HOSE SET 3/8	18	01
37	0501068088	OIL TUBE		01
38	0503033367	1" WRENCH CYLINDRICAL HEX		01
39	0503011030	2-014 N 3006-9B O'RING		04
40	0503031035	HAIR PIN		01
41	0501053834	MALE QUICK COUPLER WITH CAP - 1/2 NPT	19	02



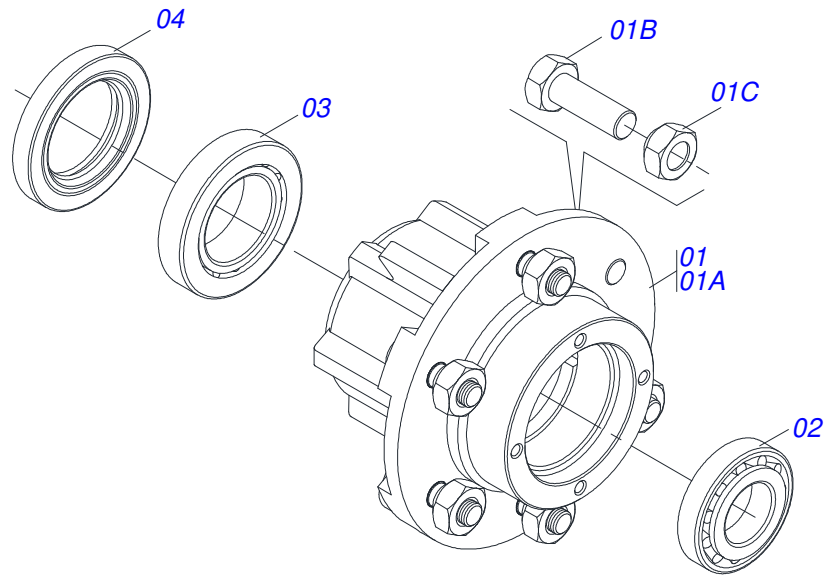
Item	Code	Description	See page	QT
001	0521062179	CHASSIS		01
002	0501054990	FURROW WHEEL RIGHT SUPPORT	3	01
003	0501054991	LH SUPPORT STUB SHAFT & HUB	4	01
004	0501110563	LEFT PIVOT BEARING WITH SLEEVE		02
005	0501110568	RIGHT PIVOT BEARING WITH SLEEVE		02
006	0503010901	3/4UNC 3.1/2 BOLT		08
007	0503011442	3/4" SPRING WASHER		08
008	0503010014	3/4" NUT		08
009	0503010002	1800 GREASE FITTING		04
010	0503010004	1890 GREASE FITTING		04
011	0521012538	1.2" X 3.5" COUPLING SHAFT		04
012	0503010523	1/4" X 2" COTTERPIN		04
013	0503031827	LUBRICATE AND RETIGHTEN DAILY DECAL		01
014	0503031428	READ MANUAL DECAL		01
015	0503031803	IMPORTANT ADHESIVE STICKER		01
016	0503033647	APPROVED BADGE		01
017	0503034059	EMBLEM		02
018	0503033246	ADHESIVE LABEL		02
019	0503034004	ALUMINUM IDENTIFICATION LABEL		01
020	0503010001	3.2 X 5.5 RIVET		04
021	0501010322	FLAT WASHER		08
022	0521045646	HYDRAULIC CYLINDER	6	01
023	0521045647	HYDRAULIC CYLINDER	7	01



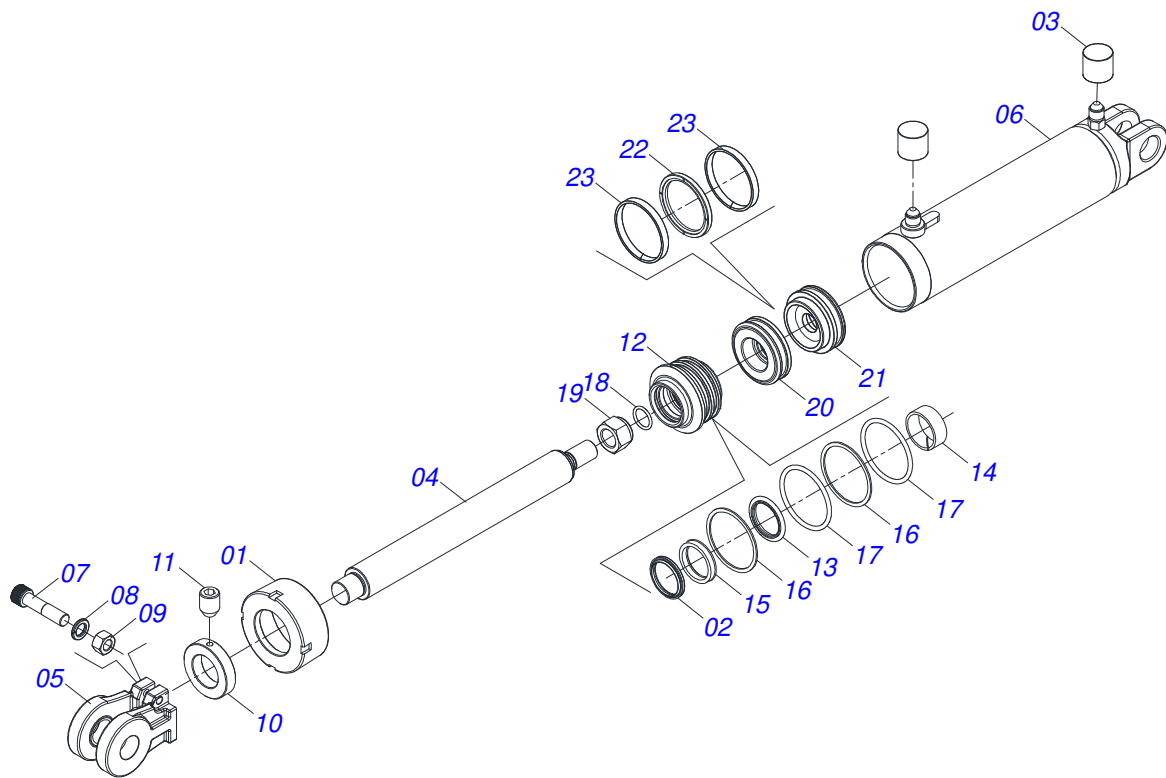
Item	Code	Description	See page	QT
01	0511065157	RIGHT CARRYING-WHEELS		01
02	0501051142	CARRYING WHEEL HUB	5	01
03	0501016545	FLAT WASHER		01
04	0503030009	1" CASTLE NUT		01
05	0503010018	5/32 X 1-1/2 COTTERPIN		01
06	0502020591	PROTECCION COVER		01
07	0503011444	SPRING WASHER		04
08	0503010358	5/16" X 5/8" BOLT		04
09	0503010002	1800 GREASE FITTING		01



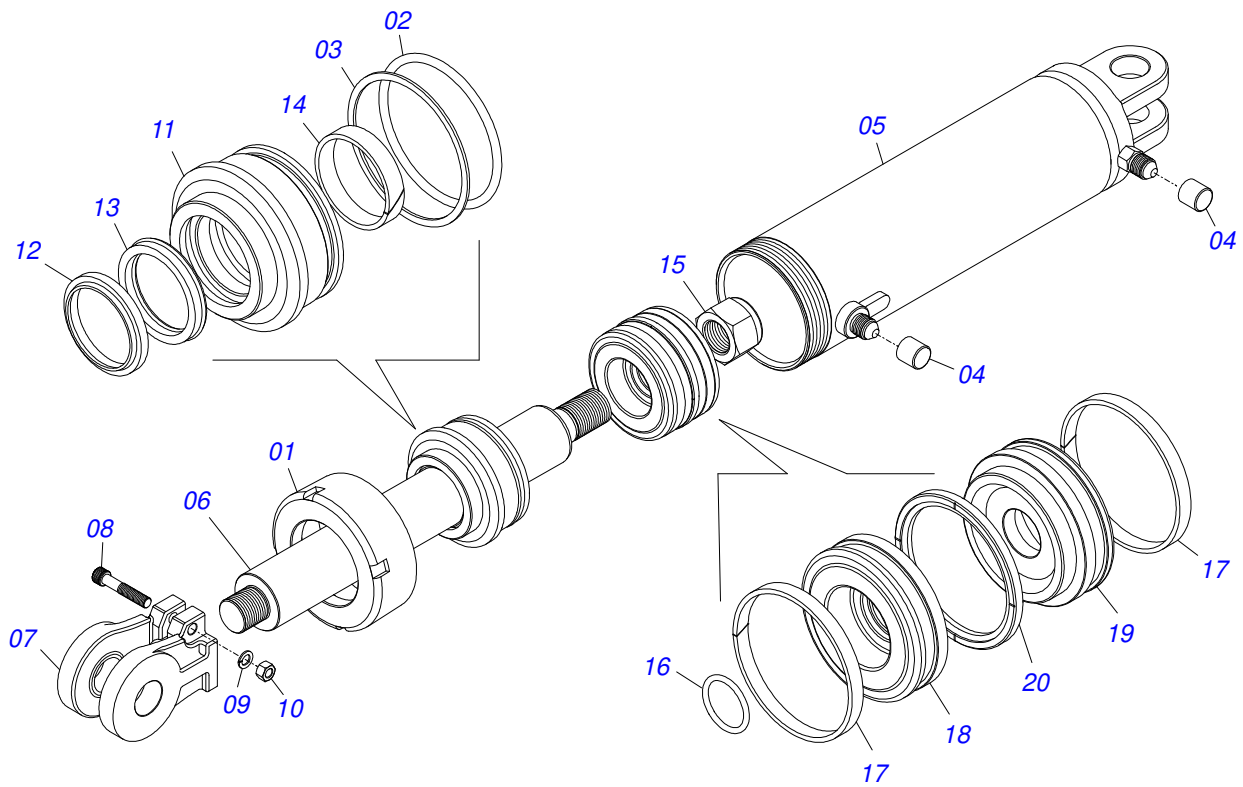
Item	Code	Description	See page	QT
01	0511065158	LEFT CARRYING-WHEELS		01
02	0501051142	CARRYING WHEEL HUB	5	01
03	0501016545	FLAT WASHER		01
04	0503030009	1" CASTLE NUT		01
05	0503010018	5/32 X 1-1/2 COTTERPIN		01
06	0502020591	PROTECCION COVER		01
07	0503011444	SPRING WASHER		04
08	0503010358	5/16" X 5/8" BOLT		04
09	0503010002	1800 GREASE FITTING		01



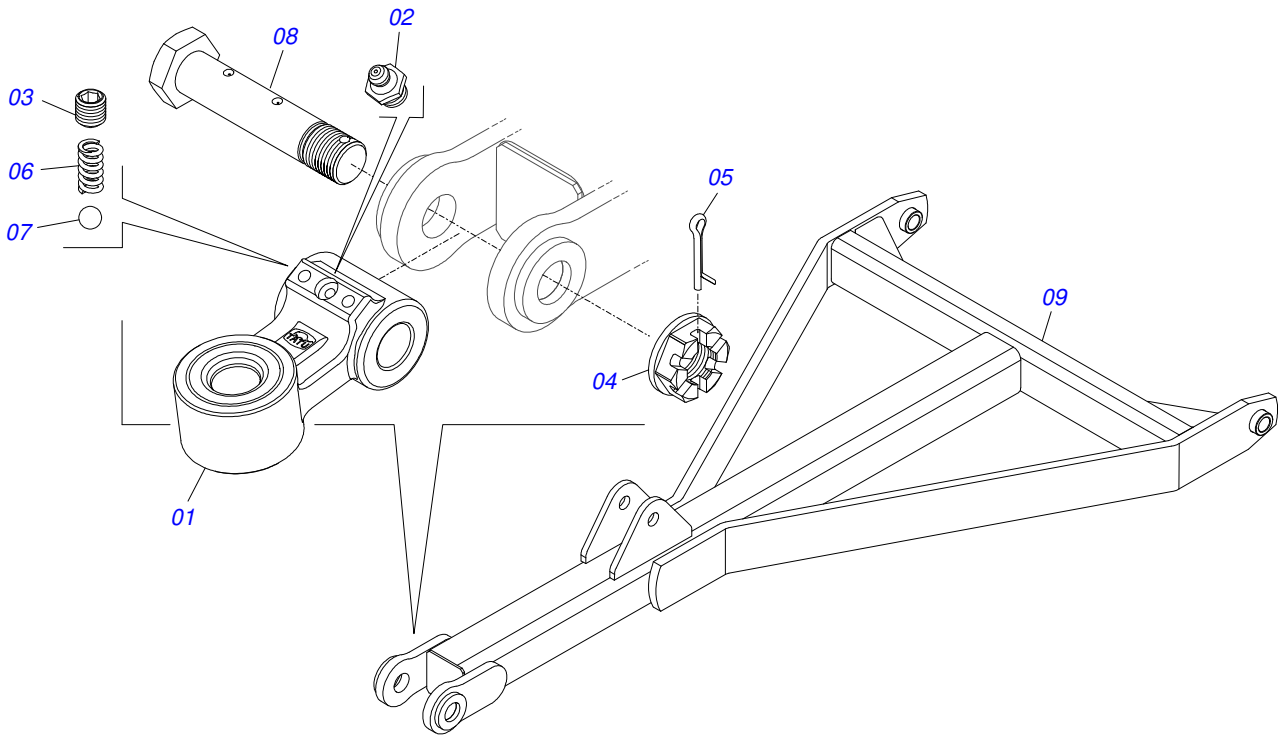
Item	Code	Description	See page	QT
01	0501110728	WHEEL HUB		01
01A	0502011121	CARRYING WHEEL HUB		01
01B	0501010127	9/16" X 1-7/8" LUG BOLT		06
01C	0503010035	9/16" CONIC NUT		06
02	0503010037	30207 ROLLER BEARING		01
03	0503010006	32210 ROLLER BEARING		01
04	0503012928	SEAL		01



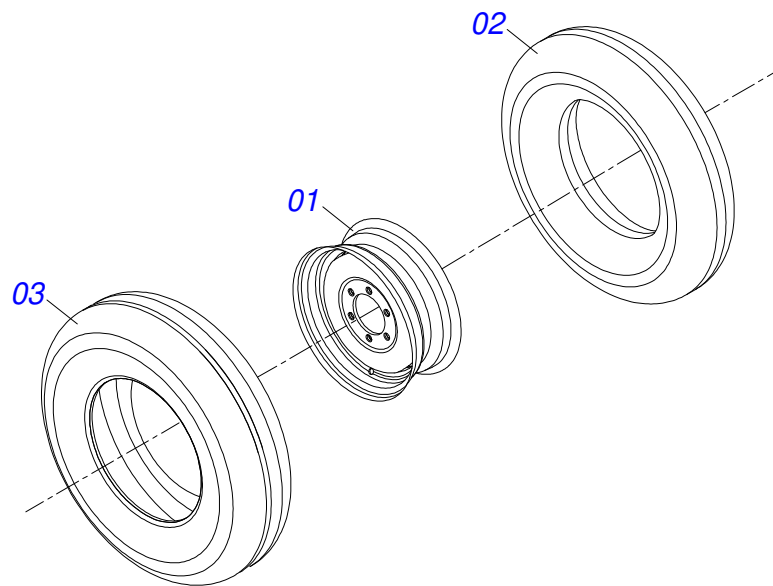
Item	Code	Description	See page	QT
01	0571019709	DETACHABLE COVER		01
02	0503010761	D-1750 SCRAPER RING		01
03	0503030385	CYLINDER PLUG N-002		02
04	0521016677	1.75" X 17.5" TURNBUCLE		01
05	0502040747	32.54 CLEVIS CLAMP		01
06	0521066182	CYLINDER CASE		01
07	0503011094	3/8" X 2" BOLT		01
08	0503011443	3/8" SPRING WASHER		01
09	0503010026	3/8" NUT		01
10	0511018115	1.8" X 0.1" 0.7" BUSHING		01
11	0503011148	3/8" X 1/2" BOLT		01
12	0571019711	RING SUPPORT		01
13	0503017936	RING		01
14	0503017938	RING GUIDE		01
15	0503017937	GASKET		01
16	0503017940	8-337 BACK-UP RING		02
17	0503017939	2-337 N 3006-9B O' RING		02
18	0503010042	2-214 N 3006-9B O'RING		01
19	0503010063	1" SELF-ALIGNING NUT		01
20	0581012598	PISTON		01
21	0581012597	PISTON		01
22	0503018650	SEALING		01
23	0503017883	RING GUIDE		02



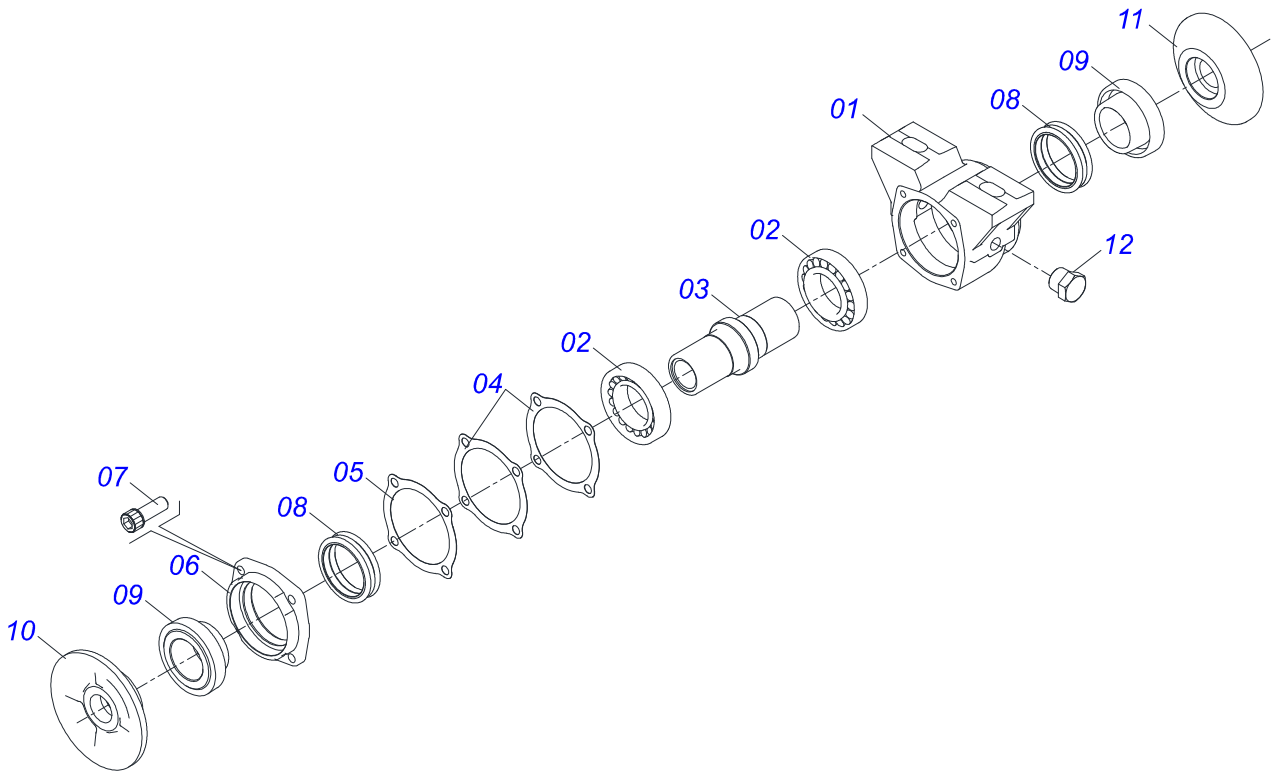
Item	Code	Description	See page	QT
01	0502010017	4" HEAD		01
02	0503010338	2-342 N 3006-9B O'RING		01
03	0503011061	8-342 BACK-UP RING		01
04	0503030385	CYLINDER PLUG N-002		02
05	0521066183	CYLINDER CASE		01
06	0531018706	2.1" X 17" EXTENDING BODY		01
07	0502040747	32.54 CLEVIS CLAMP		01
08	0503011094	3/8" X 2" BOLT		01
09	0503011443	3/8" SPRING WASHER		01
10	0503010026	3/8" NUT		01
11	0502011250	RING OF SUPPORT		01
12	0503015715	SCRAPER SEALING		01
13	0503015642	U-CUP SEALING		01
14	0503010973	W2-2500-500 PK O'RING G.E		01
15	0503010817	1.1/4" SELF LOCKING NUT		01
16	0503010345	2-218 N 3006-9B O'RING		01
17	0503017889	RING GUIDE		02
18	0581012601	PISTON		01
19	0581012602	PISTON		01
20	0503018651	SEALING		01



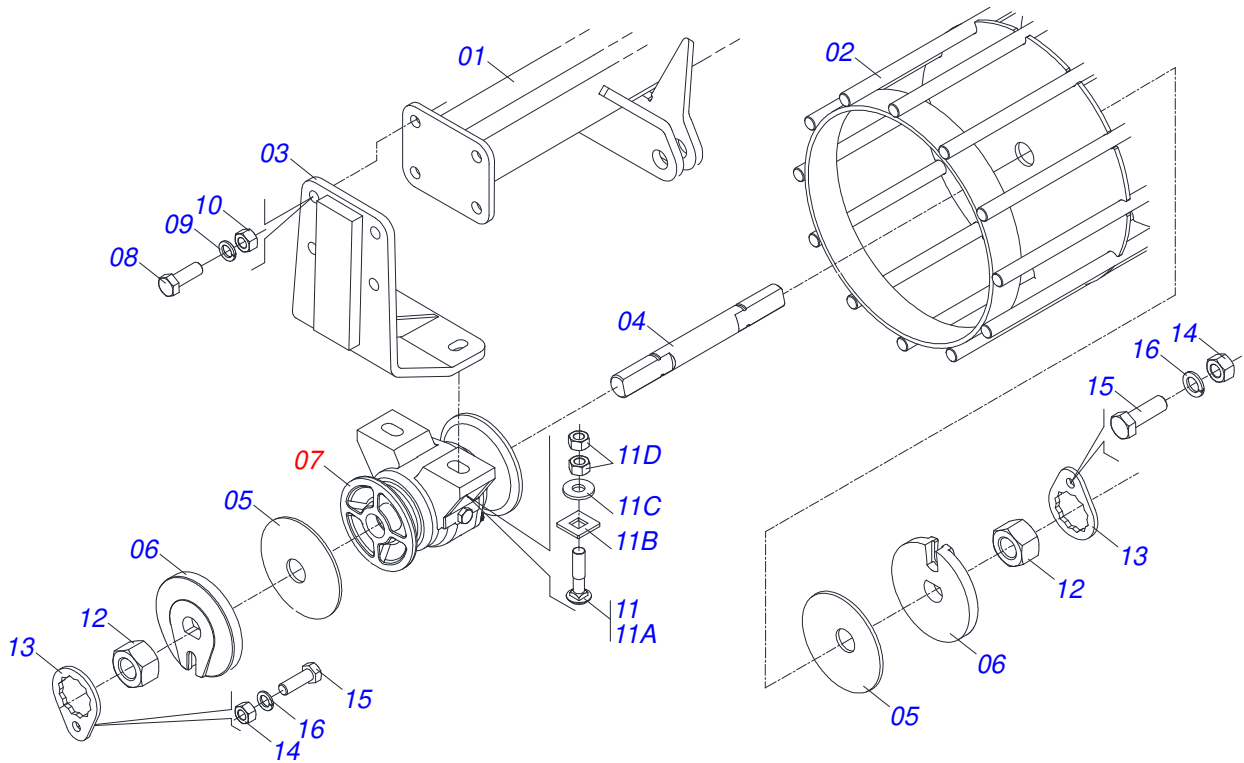
Item	Code	Description	See page	QT
01	0511055614	HITCH		01
02	0503010002	1800 GREASE FITTING		01
03	0503016482	BOLT		02
04	0501011301	1.1/2 UNC 6FPP 2.5/16 NUT		01
05	0503010010	1/4" X 2.1/2" COTTERPIN		01
06	0503033731	COMPRESSION SPRING LEFT		02
07	0503011331	3/8 BALL		02
08	0571016503	FIXER BOLT		01
09	0521065003	HEADER S/ HITCH		01



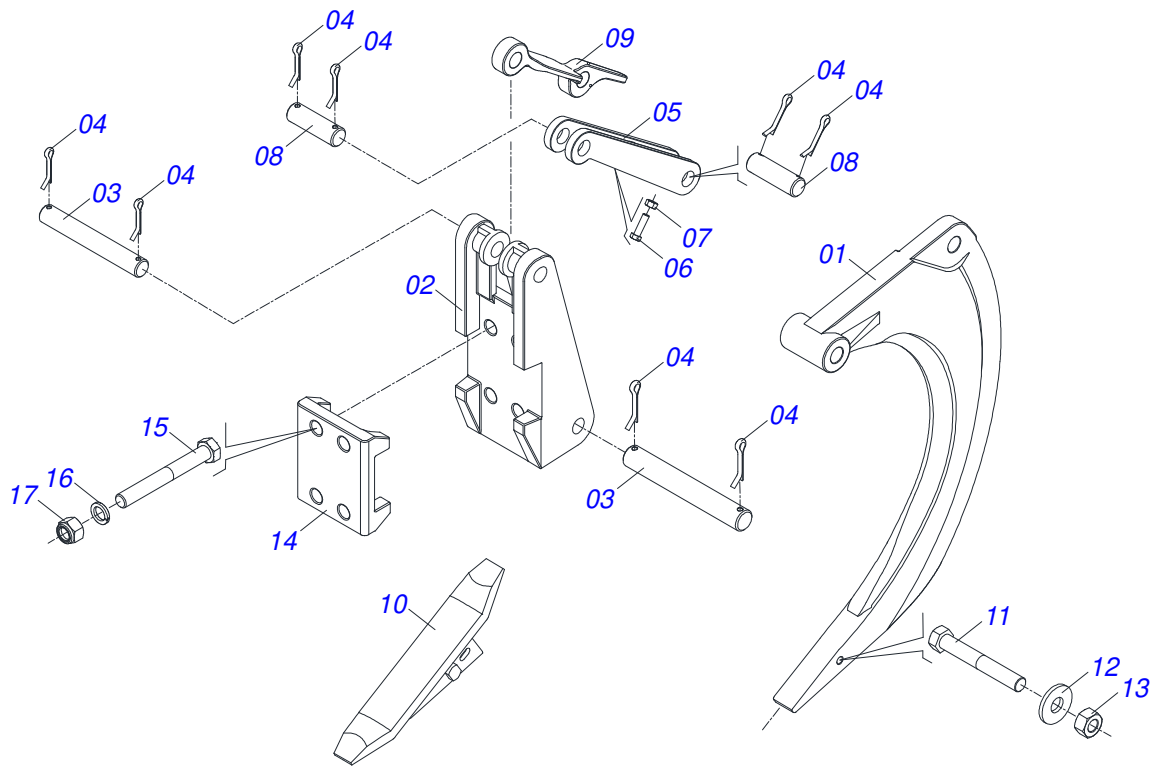
Item	Code	Description	See page	QT
01	0503010893	WHEEL		01
02	0503010033	7.50 X 16 INNER TIRE		01
03	0503010120	CANVAS TIRE		01



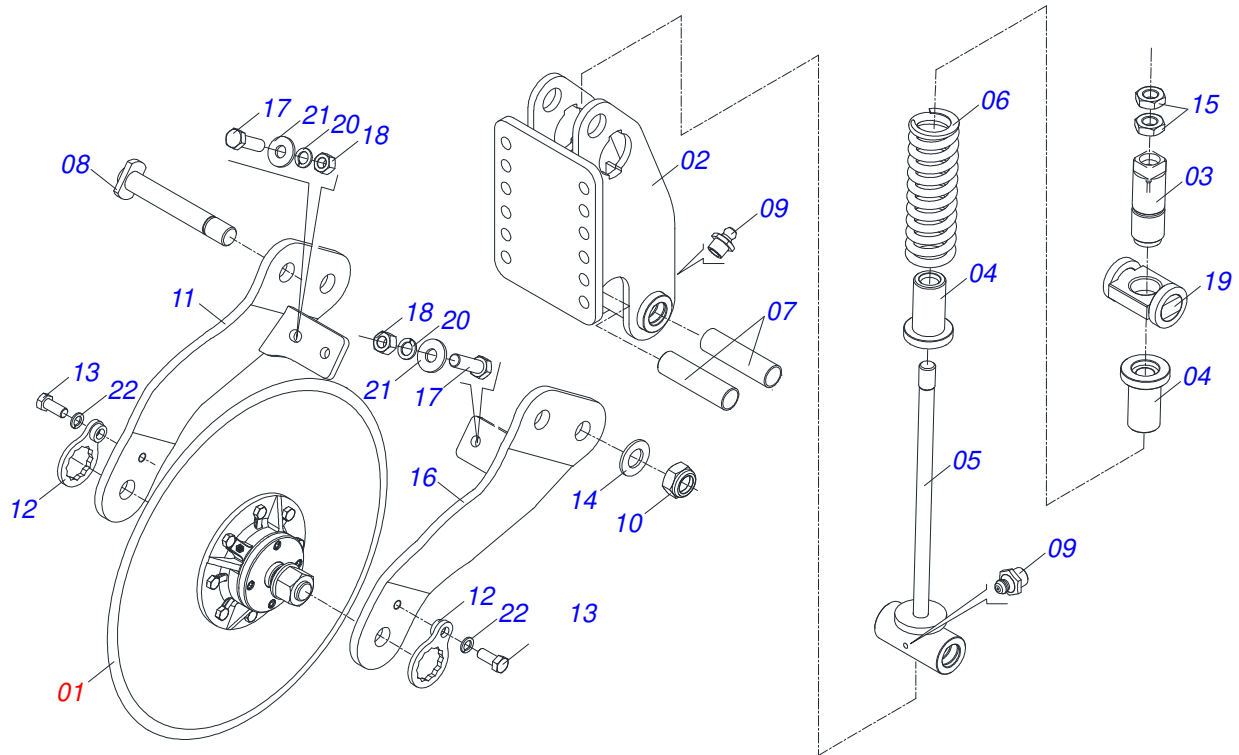
Item	Code	Description	See page	QT
01	0502010540	HOUSING DM		01
02	0503010111	30210 ROLLER BEARING		02
03	0502040218	AXLE		01
04	0503030013	4.4" X 3.5" X 0.004" JOINT		02
05	0503030684	4.4" X 3.5" X 0.004" JOINT		01
06	0502020424	HOUSING CAP		01
07	0503010134	3/8" X 1" BOLT		04
08	0503030026	SEAL LP JB-253		02
09	0502010541	SEAL RETAINER		02
10	0502010070	OUTER FLANGE		01
11	0502010071	INNER FLANGE		01
12	0503010856	OIL PLUG		01



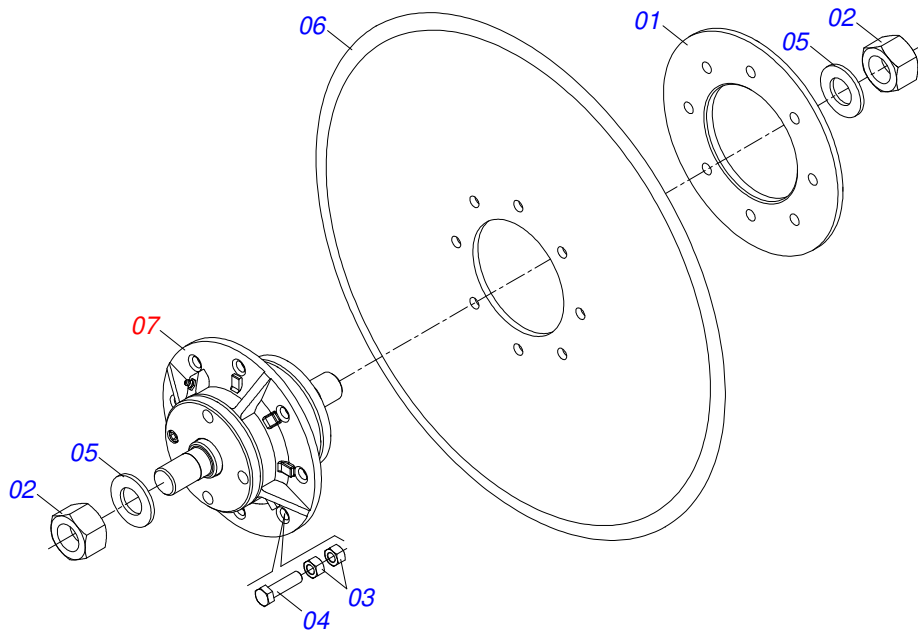
Item	Code	Description	See page	QT
01	0521068961	2128 ROLL SUPPORT		01
02	0511065382	2108 BREAK ROLLER		01
03	0511069433	BREAK ROLLER BRACKET		01
04	0501013310	1-1/4 X 2150 AXLE		01
05	0531018575	WASHER CONCAVE		02
06	1902010835	1-1/4" EXTERNAL AXLE WASHER		02
07	0501046922	7.5" X 1-1/4" OIL BATH BEARING	10	02
08	0503010232	5/8" X 1.3/4" BOLT		04
09	0503011445	SPRING WASHER		04
10	0503010013	5/8" NUT		04
11	0501058802	5/8 UNC X 2.3/4 BOLT ASSY		04
11A	0503015154	5/8" X 2.3/4" BOLT		01
11B	0501010947	5/8 NUT LOCK		01
11C	0501012140	FLAT WASHER		01
11D	0503010013	5/8" NUT		02
12	0501010087	1.1/4" NUT		02
13	0501010455	1.1/4" NUT LOCK		02
14	0503010060	1/2" NUT		02
15	0501010161	1/2" X 1.1/4" BOLT		02
16	0503011440	SPRING WASHER		02



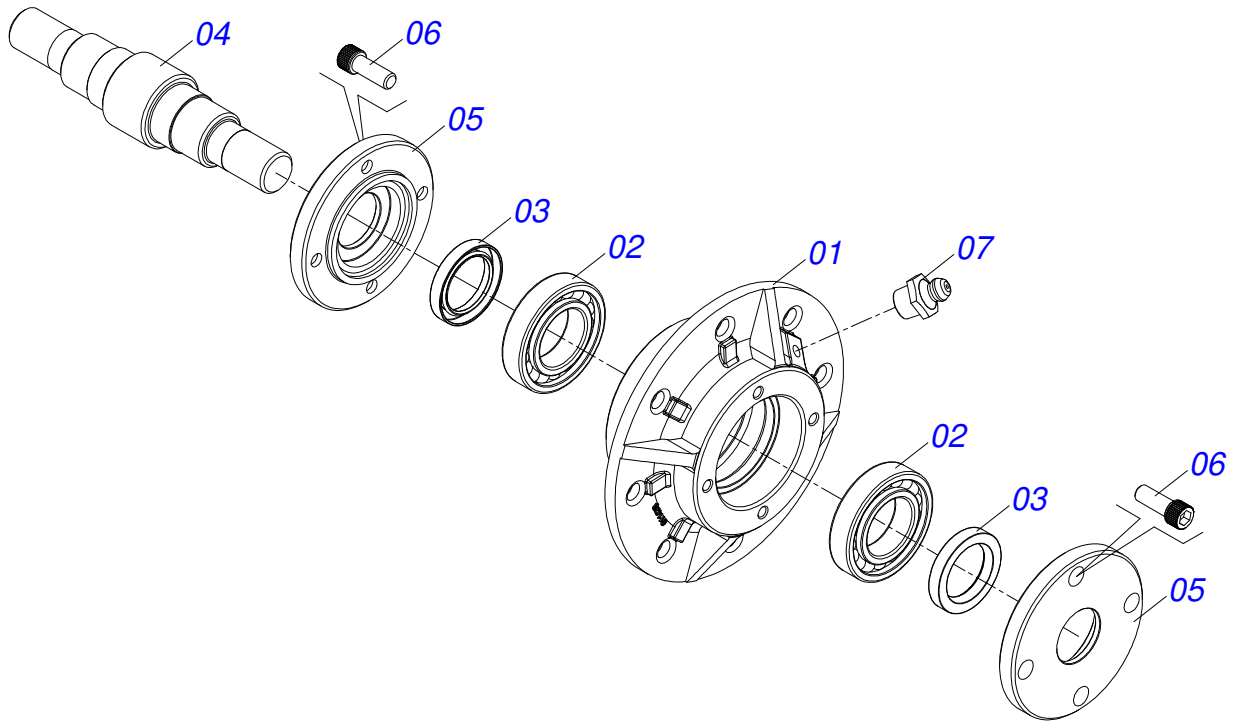
Item	Code	Description	See page	QT
01	0502012451	TURNBUCLE		01
02	0502011551	REAR FIXER		01
03	0521013024	28,50 X 184 AXLE		02
04	0503010571	1/4" X 1.1/2 COTTERPIN		08
05	0502011164	SUPPORT SPRING		01
06	0503011135	BOLT		01
07	0503010244	7/16" NUT		01
08	0511015689	1.1" X 3.5" COUPLING SHAFT		02
09	0521011631	AUTOMATIC RESET		01
10	0511068435	POINT SUBSOILER		01
11	0503010850	BOLT 7/16 UNC X 3 CS G.5 ZN		01
12	0501012803	FLAT WASHER		01
13	0503010244	7/16" NUT		01
14	0502011552	FRONT FIXER		01
15	0511019527	1" X 8" BOLT		04
16	0503011438	SPRING WASHER		04
17	0503010063	1" SELF-ALIGNING NUT		04



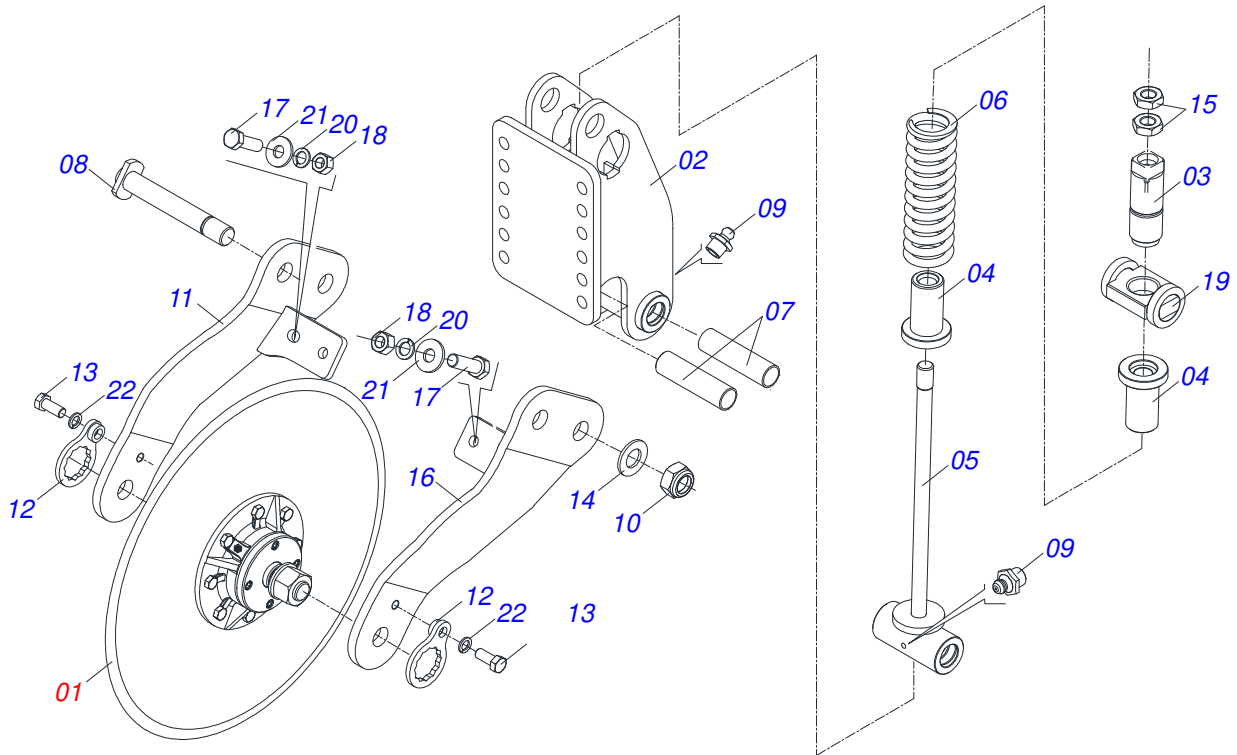
Item	Code	Description	See page	QT
01	0511053370	24" X 7,5 BLADE DISC ASSY	14	01
02	0511068433	FRONT DISC BLADE FIXER		01
03	0571010668	2" REGULATOR SPINDLE		01
04	0571010669	SLEEVE		02
05	0521062925	PRING ROD		01
06	0503031390	2.1"X10"X1/2" COMPRESSION SPRING		01
07	0551014549	32,54 SLEEVE		02
08	0521062926	COUPLING SHAFT		02
09	0503010002	1800 GREASE FITTING		02
10	0503010044	1-1/4" SELF LOCKING NUT		02
11	0521062924	RIGHT ARM THE BLADE DISC		01
12	0501069637	AXLE NUT LOCK		02
13	0503011267	BOLT 5/8 UNC X 1.1/2 C S G.5 ZN		02
14	0501017779	32 X 60 X 4.75 FLAT WASHER		02
15	0503013635	1" NUT		02
16	0521064686	RIGHT ARM OF THE BLADE DISC		01
17	0501010100	SCREW 5/8 UNC X 2 CS G.5 ZN		02
18	0503010013	5/8" NUT		02
19	0521064687	SPRING LOCKNUT		01
20	0503011445	SPRING WASHER		02
21	0501012140	FLAT WASHER		02
22	0503010027	5/8" SPRING WASHER		02



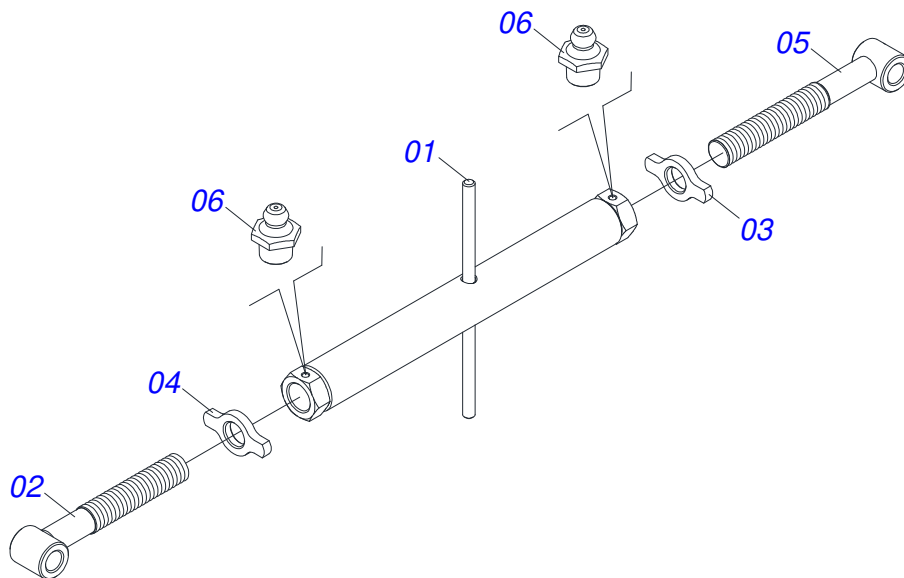
Item	Code	Description	See page	QT
01	0521011824	BLADE DISC FLANGE OUTER		01
02	0501010087	1.1/4" NUT		02
03	0503010060	1/2" NUT		16
04	0503010905	1/2" X 2-1/4" BOLT		08
05	0501017779	32 X 60 X 4.75 FLAT WASHER		02
06	0603030067	24" X 7,5 PLAIN COULTER BLADE		01
07	0501057526	DISC HUB	15	01



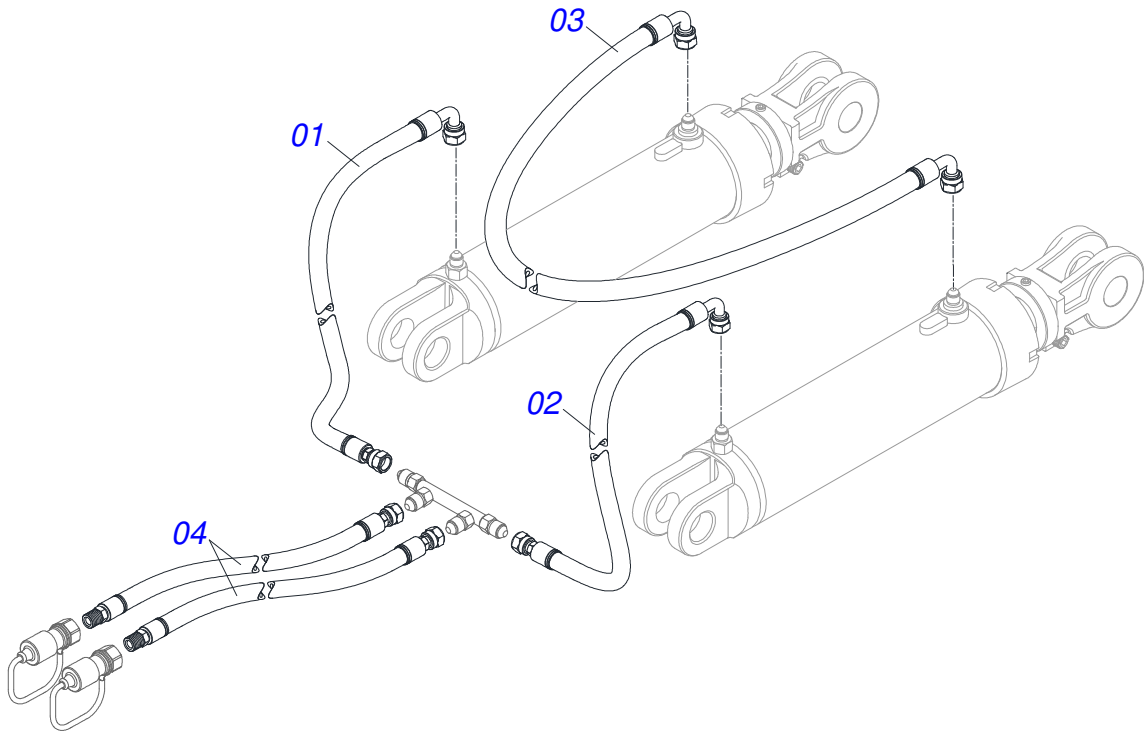
Item	Code	Description	See page	QT
01	0502011478	DISC HUB		01
02	0503011291	6209 BALL BEARING		02
03	0503012106	00521-BR SEAL		02
04	0521012661	BLADE DISC AXLE HUB		01
05	0502011477	BLADE DISC HOUSIG CP		02
06	0503010134	3/8" X 1" BOLT		08
07	0503010002	1800 GREASE FITTING		01



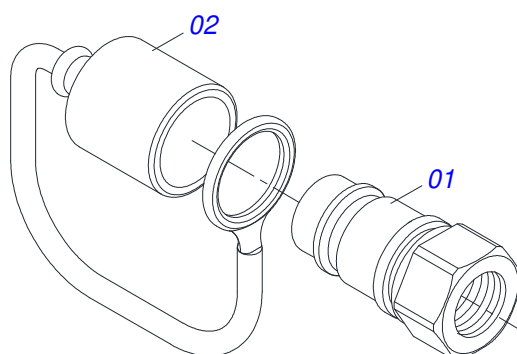
Item	Code	Description	See page	QT
01	0511053370	24" X 7,5 BLADE DISC ASSY	14	01
02	0511068432	BLADE DISC REAR FIXER		01
03	0571010668	2" REGULATOR SPINDLE		01
04	0571010669	SLEEVE		02
05	0521062925	PRING ROD		01
06	0503031390	2.1"X10"X1/2" COMPRESSION SPRING		01
07	0551014549	32,54 SLEEVE		02
08	0521062926	COUPLING SHAFT		02
09	0503010002	1800 GREASE FITTING		02
10	0503010044	1-1/4" SELF LOCKING NUT		02
11	0521062924	RIGHT ARM THE BLADE DISC		01
12	0501069637	AXLE NUT LOCK		02
13	0503011267	BOLT 5/8 UNC X 1.1/2 C S G.5 ZN		02
14	0501017779	32 X 60 X 4.75 FLAT WASHER		02
15	0503013635	1" NUT		02
16	0521064686	RIGHT ARM OF THE BLADE DISC		01
17	0501010100	SCREW 5/8 UNC X 2 CS G.5 ZN		02
18	0503010013	5/8" NUT		02
19	0521064687	SPRING LOCKNUT		01
20	0503011445	SPRING WASHER		02
21	0501012140	FLAT WASHER		02
22	0503010027	5/8" SPRING WASHER		02



Item	Code	Description	See page	QT
01	0501068095	850 ADJUSTMENT NUT		01
02	0501068096	RIGTH TURNBUCKLE		01
03	0541018673	COUNTERNUT		01
04	0541018672	COUNTERNUT		01
05	0501068097	LEFT TURNBUCKLE		01
06	0503010002	1800 GREASE FITTING		02



Item	Code	Description	See page	QT
01	0501080055	3/8" X 1000 TR-TC HOSE		01
02	0501082047	HOSE		01
03	0501082048	HOSE		01
04	0501080384	TR-TM HOSE ASSY		02



Item	Code	Description	See page	QT
01	0503011627	MALE QUICK COUPLER AGR 1/2 NPT		01
02	0503011882	MALE QUICK COUPLER CAP		01



civemasa

Technical Publications | Elaboration and Revision
LUIZ CANDIDO

www.civemasa.com.br

