

AUXILIARY PRODUCTS

PLAC

Code: 0501093052
Series: S-0179
Revision: 00
Revision Date: AGOSTO/2021

PARTS CATALOGUE


CIVEMASA

PRODUCTS

Code	Description	
0121600001	PLAC	S-0179

ATTENTION: IMPORTANT

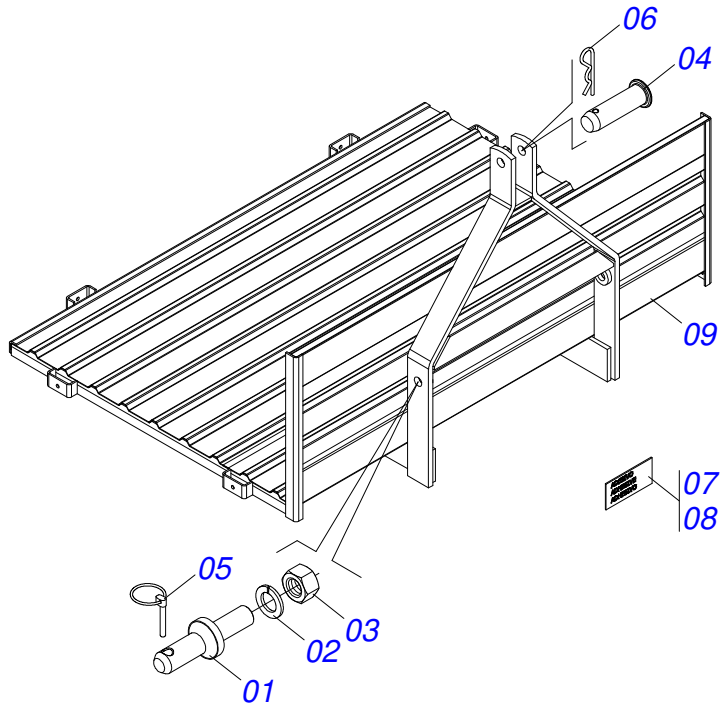
Civemasa reserves the right to improve and / or modify the technical features of its products, without obligation to do the same with those products already sold and without prior knowledge of the dealer or the consumer.



INDEX

0521041563	ASSY FRAME	1
------------	------------	-------	---





Item	Code	Description	See page	QT
01	0521010635	2" X 5.7" COUPLING SHAFT		02
02	0503010012	1" SPRING WASHER		02
03	0503010340	1" NUT		02
04	0521010578	COUPLING SHAFT		01
05	0503030430	7/16 X 2" PIN LOCK		02
06	0503031035	HAIR PIN		01
07	0503033734	ADHESIVE		01
08	0503033244	ADHESIVE LABEL		01
09	0521063614	FRAME		01



ANNOTATION

A series of horizontal lines for writing, providing space for annotations.





civemasa

Technical Publications | Elaboration and Revision

ALESSANDRA PATRICIA KAWAHARA CARRILI

www.civemasa.com.br

