

OVERFLOW TRUCK

**RACC 10500 - DRAWBAR
CENTRALIZED/1,9/VEH/EXP**

Code: 0501093051
Series: S-0616
Revision: 00
Revision Date: JUNHO/2021

**PARTS
CATALOGUE**

CIVEMASA

A solid orange horizontal bar at the top left of the page.

PRODUCTS

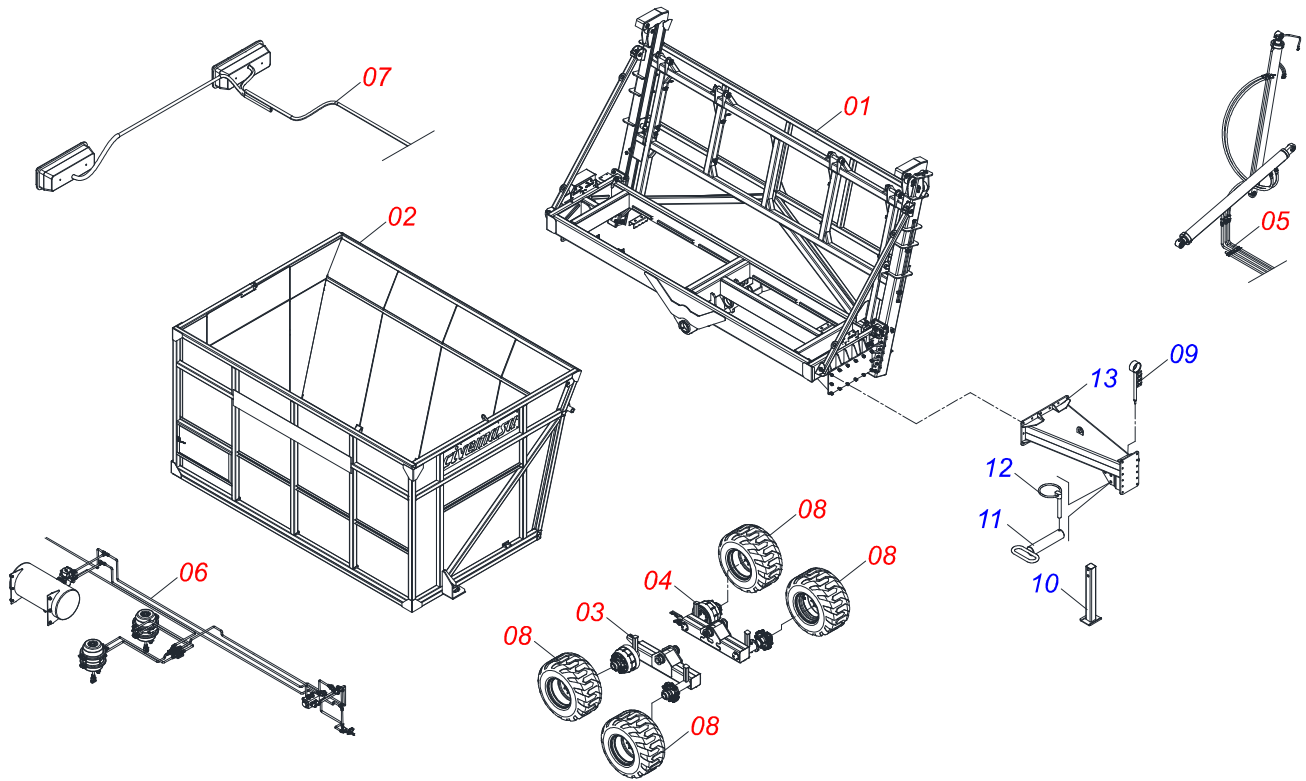
Code	Description	
0121770003	RACC 10500 C 1,9 VEH EXP	S-0616

ATTENTION: IMPORTANT

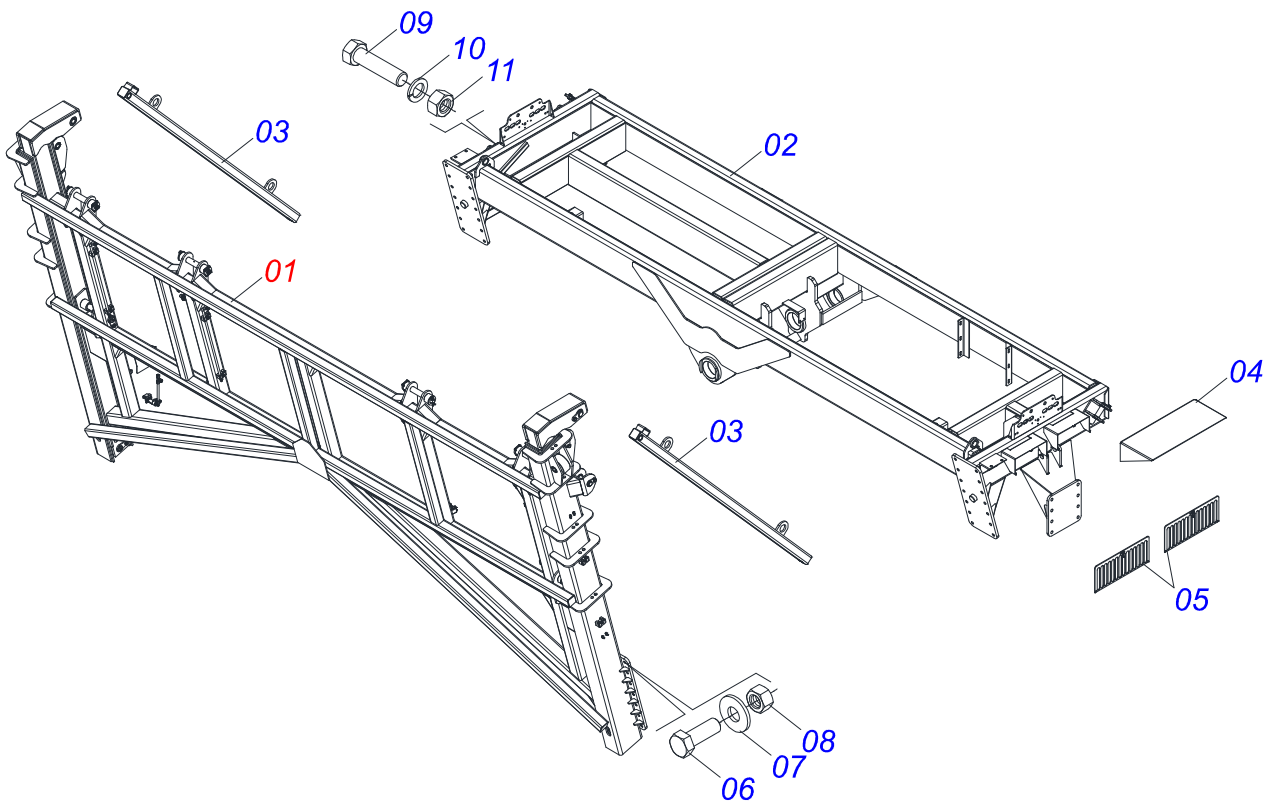
Civemasa reserves the right to improve and / or modify the technical features of its products, without obligation to do the same with those products already sold and without prior knowledge of the dealer or the consumer.

INDEX

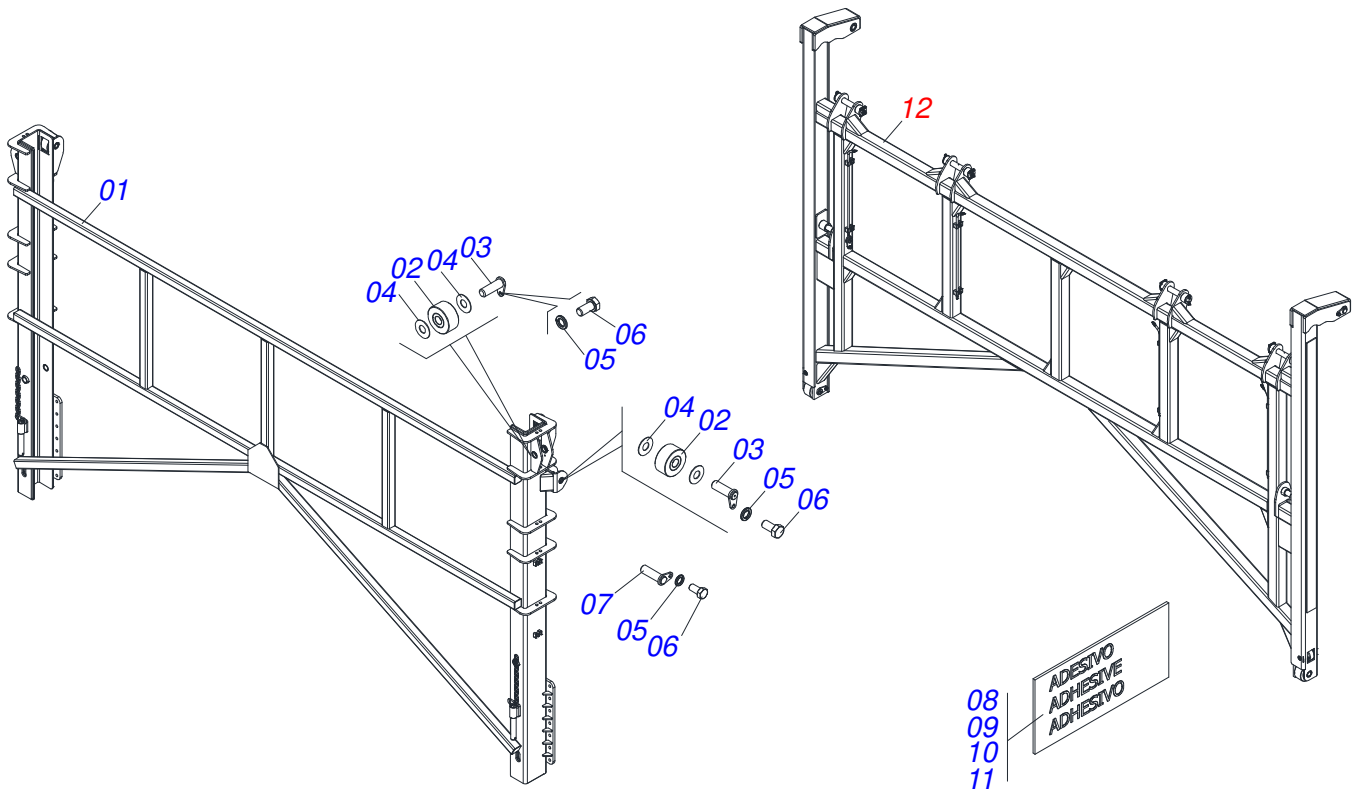
0909095838	ASSY FRAME	1
0909095839	SEMI MOUNTED FRAME	2
0521046744	FRAME HEADER OFFSET	3
0511047991	LIFT ASSY	4
0909095841	ASSY BASKET	5
0521046745	RIGHT ROCKER ARM	6
0521044694	LEFT ROCKER ARM	7
0521050366	LEFT AND RIGHT BALANCE SHEET	8
0511045858	WHEEL HUB ASSY WITH BRAKE	9
0909095842	HYDRAULIC SYSTEM	10
0521045265	HYDRAULIC CYLINDER	11
0511047791	CILINDER ROCKER	12
0501059757	HYDRAULIC VALVE EL/HIDRAULIC ASSY	13
0501053834	MALE QUICK COUPLER WITH CAP - 1/2 NPT	14
0501053835	FEMALE QUICK COUPLER	15
0909095843	PNEUMATIC SYSTEM	16
0909095844	ELECTRICAL SYSTEM	17
0503061865	WHEELS AND TIRE	18



Item	Code	Description	See page	QT
01	0909095839	SEMI MOUNTED FRAME	2	01
02	0909095841	ASSY BASKET	5	01
03	0521046745	RIGHT ROCKER ARM	6	01
04	0521044694	LEFT ROCKER ARM	7	01
05	0909095842	HYDRAULIC SYSTEM	10	01
06	0909095843	PNEUMATIC SYSTEM	16	01
07	0909095844	ELECTRICAL SYSTEM	17	01
08	0503061865	WHEELS AND TIRE	18	01
09	0521061379	HOSE HOLDER		01
10	0521060563	FRAME STRUT		01
11	0521060566	PIN LOCK JACK		02
12	0503030085	LOCK PIN		02
13	0531041132	EMBLEM DRAWBAR		01

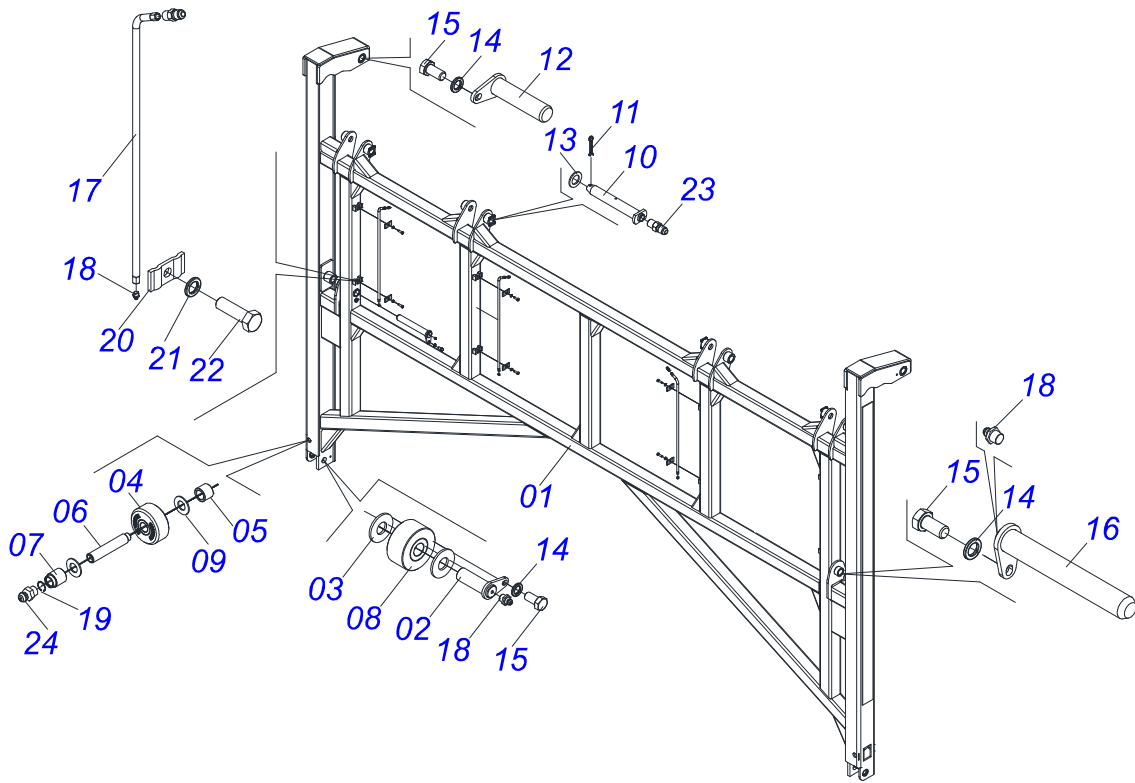


Item	Code	Description	See page	QT
01	0521046744	FRAME HEADER OFFSET	3	01
02	0521067265	FRAME BASE		01
03	0521067273	FRENCH HAND		02
04	0581014621	REAR PANEL PROTECTION		01
05	0561014113	PROTECTION BOX HEADLIGHT		02
06	0501010500	3/4"X3"BOLT		28
07	0511015255	FLAT WASHER		56
08	0503011255	3/4" LOCK NUT		28
09	0501010125	3/4" X 2-1/2" BOLT		14
10	0503010023	3/4" SPRING WASHER		14
11	0503010014	3/4" NUT		14

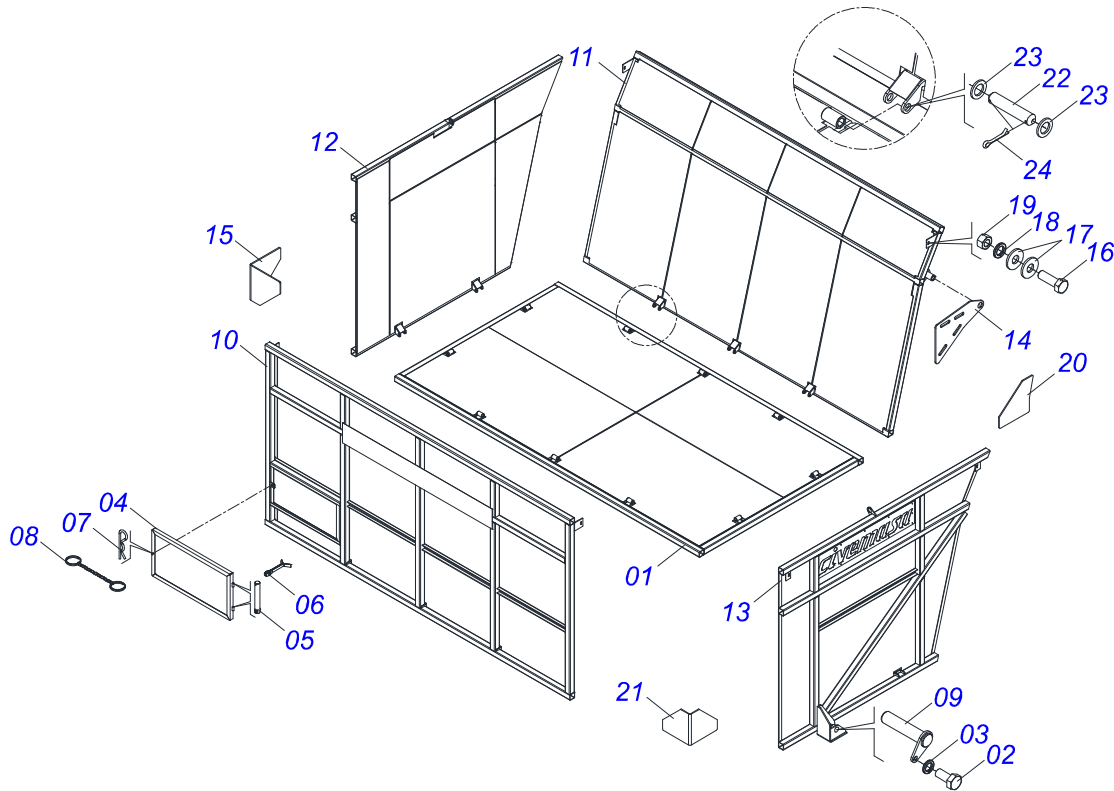


Item	Code	Description	See page	QT
01	0521067272	CENTER FRAME		01
02	0501110526	LOWER PULLEY		04
03	0511067985	PIN UPPER PULLEY		04
04	0551014871	FLAT WASHER		08
05	0503010019	1/2" SPRING WASHER		06
06	0503010834	1/2 X 1 BOLT		06
07	0521065778	AXLE		02
08	0503031942	ADHESIVE LABEL		01
09	0503031428	READ MANUAL DECAL		01
10	0503032817	EMBLEM DANGER SAFETY		02
11	0503013229	REFLECTIVE SIDE BAND		04
12	0511047991	LIFT ASSY	4	01

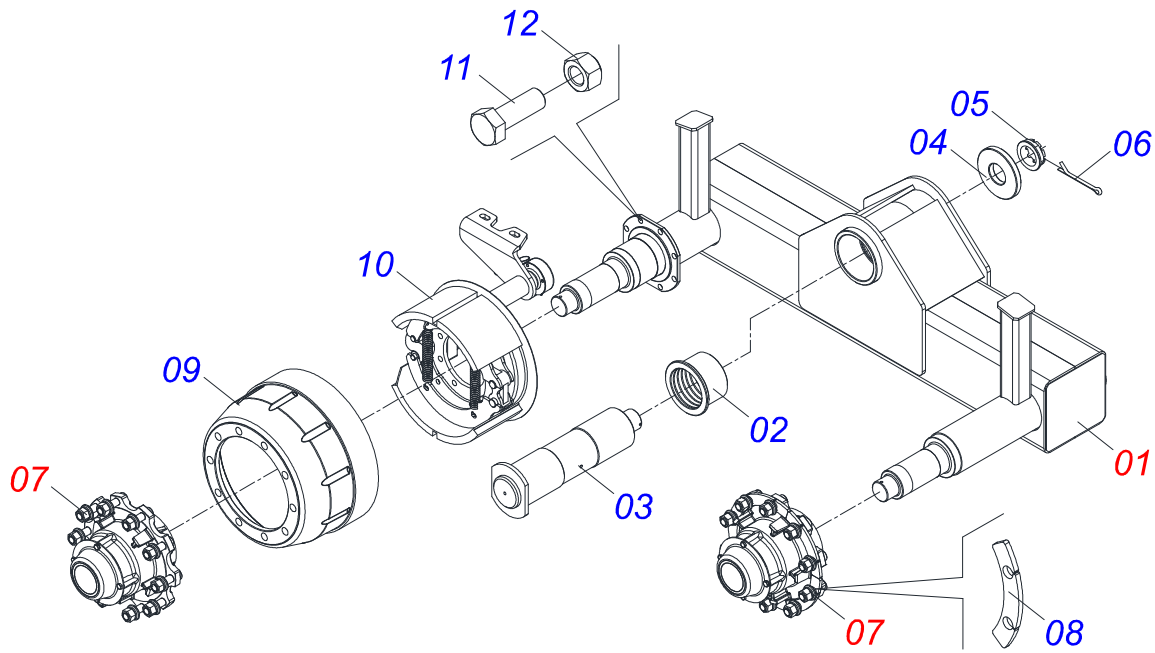
LIFT ASSY



Item	Code	Description	See page	QT
01	0511069074	LIFT		01
02	0511068766	PIN POULIE 38,1 X 110		02
03	0551015940	FLAT WASHER		04
04	0501110540	PULLEY SIDE ELEVATION		02
05	0551014873	SLEEVE		02
06	0551014860	PIN LOWER SIDE LIFT		02
07	0551014874	SLEEVE		02
08	0501110526	LOWER PULLEY		02
09	0551014872	FLAT WASHER		04
10	0511068336	PIVOT SHAFT SKEP		04
11	0503010534	3/8 X 2-1/2 COTTERPIN		04
12	0511068767	PIN FIXER		02
13	0501012916	FLAT WASHER 38,50 X 66 X 4,75 ZN		04
14	0503010019	1/2" SPRING WASHER		06
15	0503010834	1/2 X 1 BOLT		06
16	0511067983	PIVOT SHAFT		02
17	0511068768	GREASE TUBE LIFT		04
18	0503010002	1800 GREASE FITTING		08
19	0503014307	SEAL RING		02
20	0531011180	UPPER BODY CLIP		08
21	0503010025	3/8" SPRING WASHER		08
22	0503010751	C3/8" X 1.1/4" HEX BOLT G.5		08
23	0503012776	1/8" NF NIPPLE		08
24	0503010691	1/4" GREASE FITTING		02

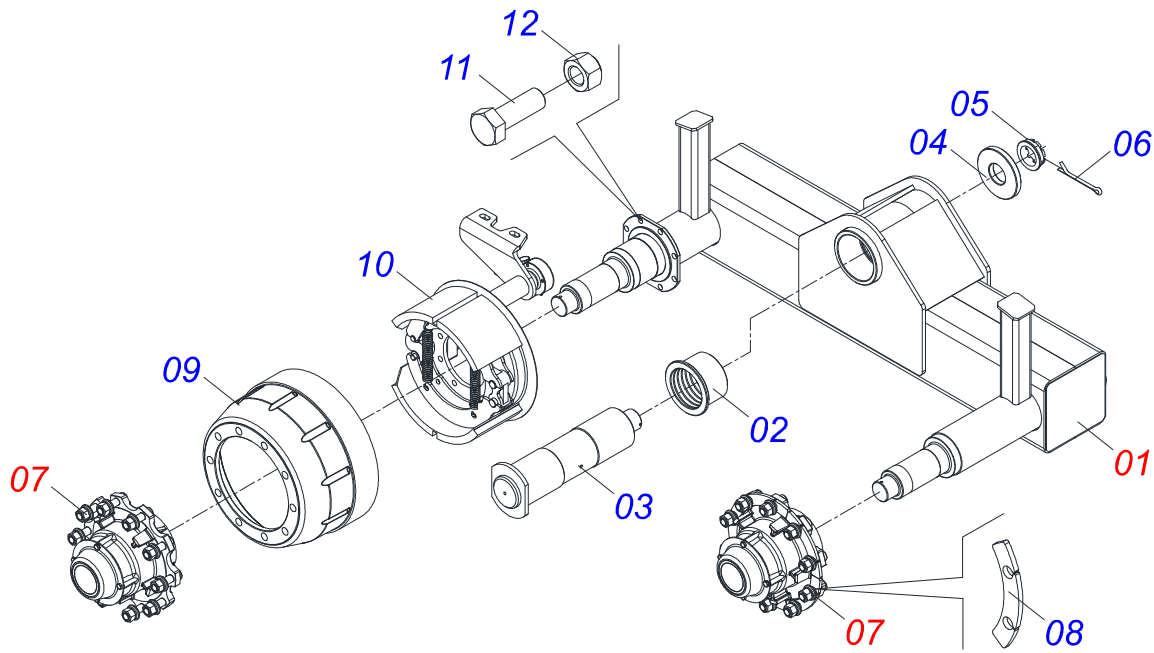


Item	Code	Description	See page	QT
01	0521067270	BACKGROUND SKEP ASSY	01	
02	0503010834	1/2 X 1 BOLT	02	
03	0503010019	1/2" SPRING WASHER	02	
04	0511069194	COVER	01	
05	0521010553	0.5" X 3" COUPLING SHAFT	02	
06	0503010257	1/8" X 1" COTTERPIN	02	
07	0503030168	HAIR PIN	01	
08	0503011423	RING	01	
09	0511067982	PIVOT SHAFT BOX CYLINDER	02	
10	0521067269	SIDE BASKET	01	
11	0521067268	SLIDES	01	
12	0521067267	REAR SKEP ASSY	01	
13	0521067266	FRONT SKEP ASSY	01	
14	0571017180	EXTERNAL EAR ARTICULATED	02	
15	0561014353	LEFT SUPPORT PLATE	02	
16	0503010920	1/2" X 1.1/2" BOLT	04	
17	0511017302	FLAT WASHER	08	
18	0503010019	1/2" SPRING WASHER	04	
19	0503010060	1/2" NUT	04	
20	0561016395	BIGGEST PLATE JUNCTION BASKET	06	
21	0571017184	PARTS BASKET	02	
22	0571017194	AXIS 25 X 125	10	
23	0571017193	FLAT WASHER	20	
24	0503010131	3/16" X 1-1/2" COTTERPIN	20	

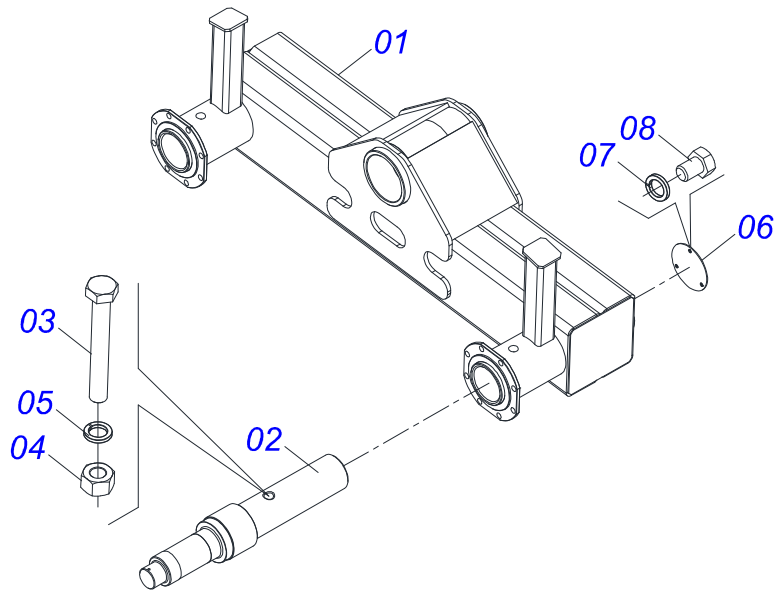


Item	Code	Description	See page	QT
01	0521050366	LEFT AND RIGHT BALANCE SHEET	8	01
02	0531016429	BUSHING		02
03	0521062517	PIVOT SHAFT		01
04	0551012036	FLAT WASHER		01
05	0581013528	FLANGED NUT		01
06	0503012213	1/4" COTTERPIN		01
07	0511045858	WHEEL HUB ASSY WITH BRAKE	9	02
08	0561015521	FLANGE		10
09	0502020688	BRAKE DRUM		01
10	0503014052	BRAKE		01

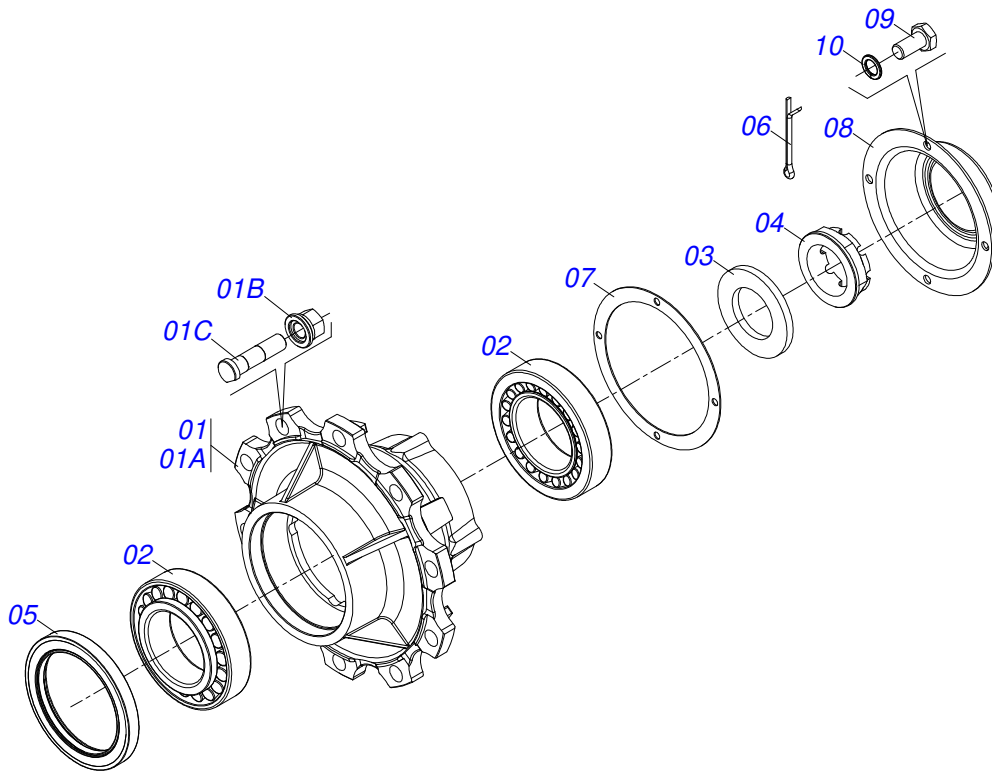
LEFT ROCKER ARM



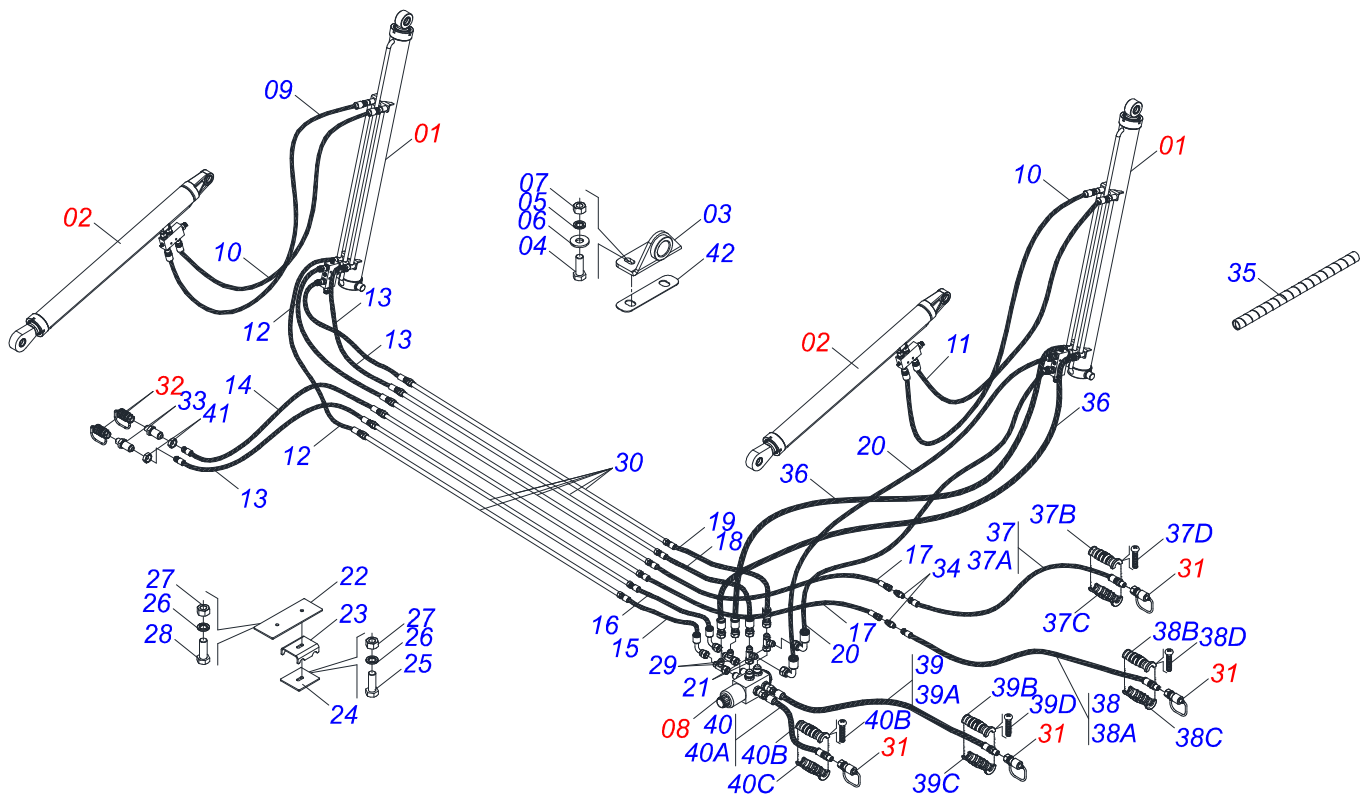
Item	Code	Description	See page	QT
01	0521050366	LEFT AND RIGHT BALANCE SHEET	8	01
02	0531016429	BUSHING		02
03	0521062517	PIVOT SHAFT		01
04	0551012036	FLAT WASHER		01
05	0581013528	FLANGED NUT		01
06	0503012213	1/4" COTTERPIN		01
07	0511045858	WHEEL HUB ASSY WITH BRAKE	9	02
08	0561015521	FLANGE		10
09	0502020688	BRAKE DRUM		01
10	0503014053	BREAK		01
11	0501010100	SCREW 5/8 UNC X 2 CS G.5 ZN		08
12	0503012412	5/8 UNC SELF LOCKING NUT		08



Item	Code	Description	See page	QT
01	0521067334	LEFT/RIGHT BALANCE BODY		01
02	0581013527	CARRYING WHEELS AXLE		02
03	0501010219	1" X 7-1/2" BOLT		02
04	0501010059	1.5/8 NUT		02
05	0503010012	1" SPRING WASHER		02
06	0551010696	CARRYING WHEELS AXLE COVER		02
07	0503010025	3/8" SPRING WASHER		06
08	0503010206	3/8" X 1/2" BOLT		06

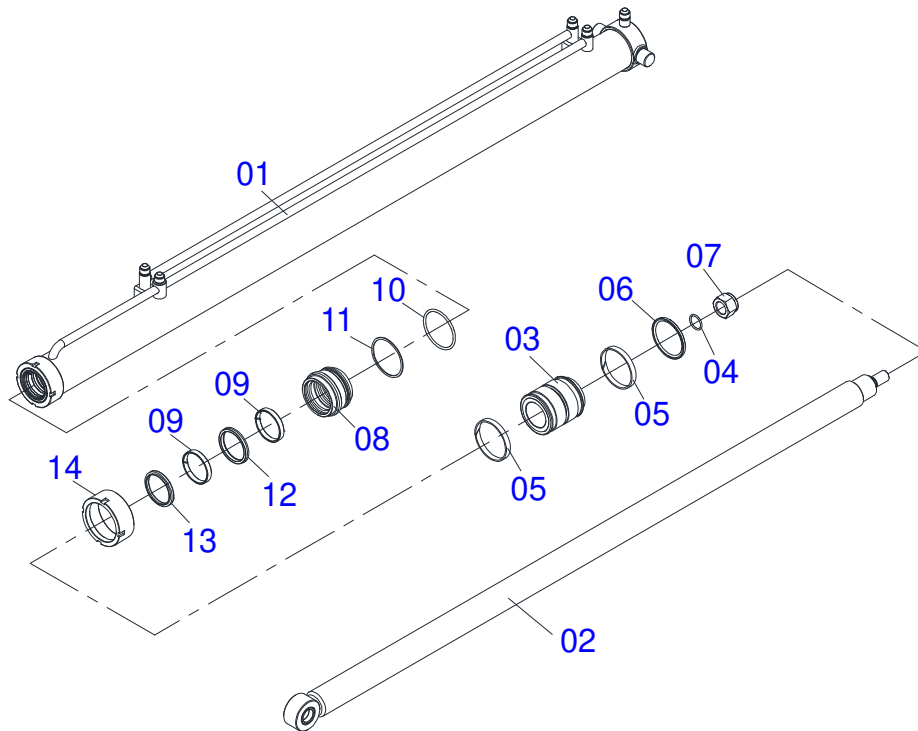


Item	Code	Description	See page	QT
01	0501110771	CARRYING WHEEL HUB		01
01A	0502012462	WHEEL HUB		01
01B	0503014048	22 X 1.5 HEX NUT		10
01C	0503014049	M22 X 1,5 X 89/97" BOLT		10
02	0503010118	32218 BEARING		02
03	0531019986	64 X 110 X 9.5 FLAT WASHER		01
04	0502040080	2.1/2" SLOTTED NUT		01
05	0503013541	SEAL		01
06	0503012213	1/4" COTTERPIN		01
07	0503013548	DUST CAP		01
08	0503013549	HUB CUP		01
09	0503013546	10 X 1.5 X 20MM BOLT		04
10	0503013542	M10 SPRING WASHER		04

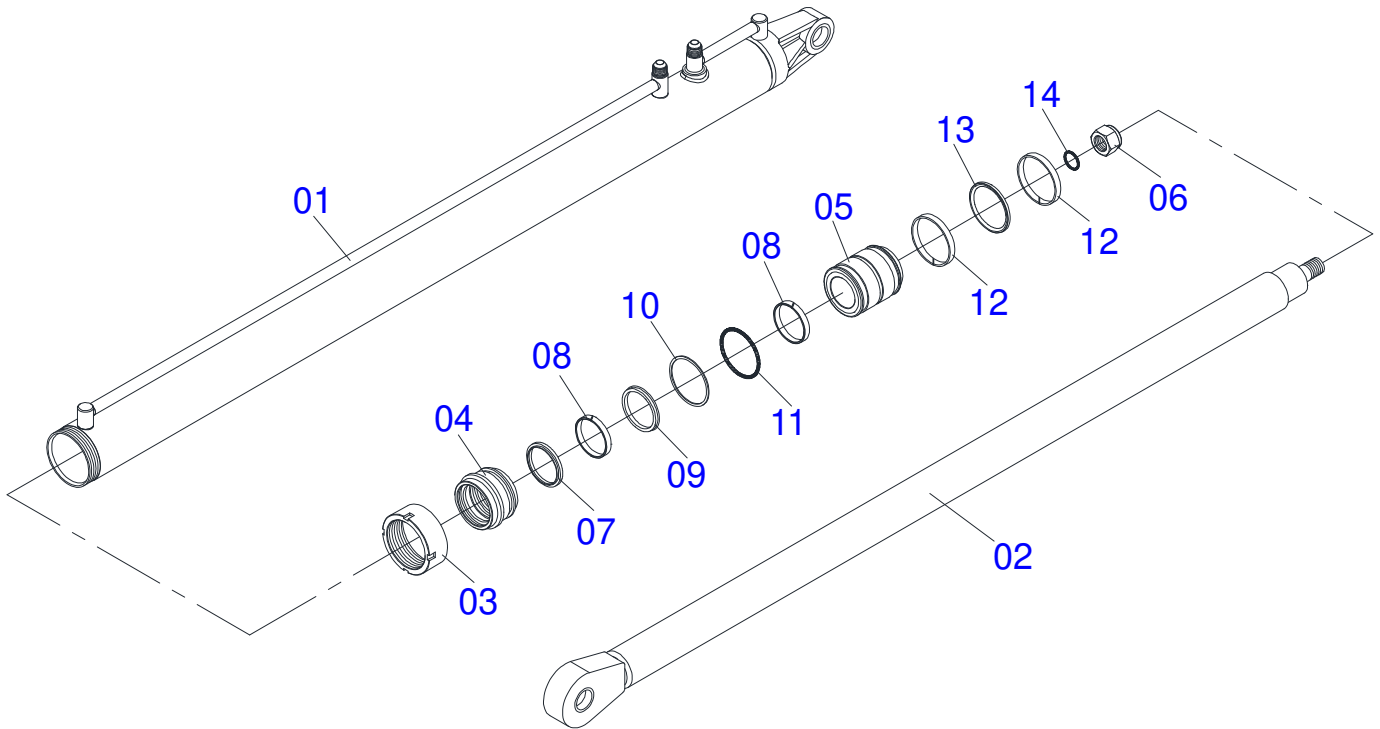


Item	Code	Description	See page	QT
01	0521045265	HYDRAULIC CYLINDER	11	02
02	0511047791	CILINDER ROCKER	12	02
03	0511068514	BEARING		02
04	0503010232	5/8" X 1.3/4" BOLT		04
05	0503010027	5/8" SPRING WASHER		04
06	0501012140	FLAT WASHER		04
07	0503010013	5/8" NUT		04
08	0501059757	HYDRAULIC VALVE EL/HIDRAULIC ASSY	13	01
09	0501081019	HOSE		01
10	0501082383	HOSE		02
11	0501081019	HOSE		01
12	0501080180	HOSE		02
13	0501081309	HOSE		03
14	0501080232	3/4" X 1100 TR-TR HOSE		01
15	0501082203	3/4 X 950 TR-TC HOSE		01
16	0501080130	HOSE		01
17	0501082384	HOSE		02
18	0501080210	HOSE		01
19	0501080213	HOSE		02
20	0501080220	HOSE		02
21	0503013535	ADAPTER T TEE JIC 1.1/16		02
22	0551015937	FIXER PLATE PIPING		02
23	0561013211	FIXER LOWER TUBING		02
24	0561013212	PLATE LOWER FIXER		02
25	0503011124	3/8" X 5" BOLT		02
26	0503010025	3/8" SPRING WASHER		04
27	0503010026	3/8" NUT		04
28	0503013665	SCREW 3/8 UNC X 3.1/4 C S RP G.2 ZN		02
29	0503013534	ADAPTER T TEE		02
30	0511068699	TUBE COMMUNICATION		06
31	0501053834	MALE QUICK COUPLER WITH CAP - 1/2 NPT	14	04

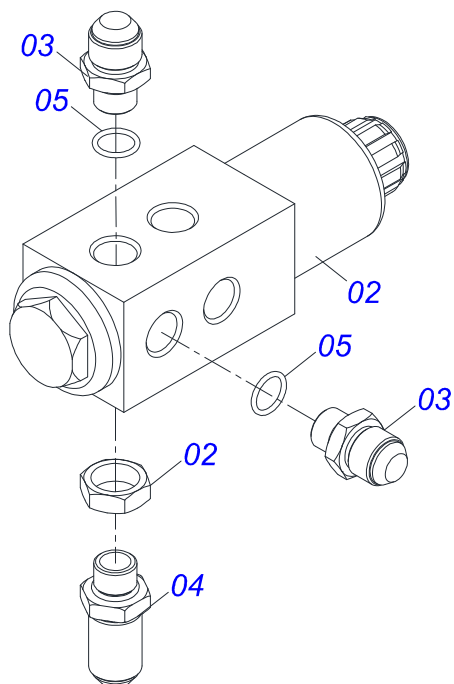
Item	Code	Description	See page	QT
32	0501053835	FEMALE QUICK COUPLER	15	02
33	0541016751	NIPPLE		02
34	0561011869	R.1.1/16 UNF X 1/2 NPT X 75,5 NIPPLE		05
35	0503014278	MP100 PLASTIC PROTECTION SPRING FOR 3/4 HOSE		02MT
36	0501080126	HOSE		02
37	0531051824	HOSE		01
37A	0501080797	3/4 X 3000 TR-TM HOSE		01
37B	0503034489	HYDRAULIC HOSE GAUNTLET (GRAY)		01
37C	0503034495	HYDRAULIC HOSE GRIP (RED)		01
37D	0503018952	PLASTIC BOLT		06
38	0531051823	HOSE		01
38A	0501080797	3/4 X 3000 TR-TM HOSE		01
38B	0503034492	HYDRAULIC HOSE GRIP (BLACK)		01
38C	0503034495	HYDRAULIC HOSE GRIP (RED)		01
38D	0503018952	PLASTIC BOLT		06
39	0531051796	HOSE		01
39A	0501082380	HOSE		01
39B	0503034489	HYDRAULIC HOSE GAUNTLET (GRAY)		01
39C	0503034494	HYDRAULIC HOSE GRIP (BLUE)		01
39D	0503018952	PLASTIC BOLT		06
40	0531051795	HOSE		01
40A	0501082380	HOSE		01
40B	0503034492	HYDRAULIC HOSE GRIP (BLACK)		01
40C	0503034494	HYDRAULIC HOSE GRIP (BLUE)		01
40D	0503018952	PLASTIC BOLT		06
41	0541016752	1.1/4"X 1.1/16" UN X 11 NUT HEX		02
42	0551018157	LIFT CYLINDER BEARING HEEL		04



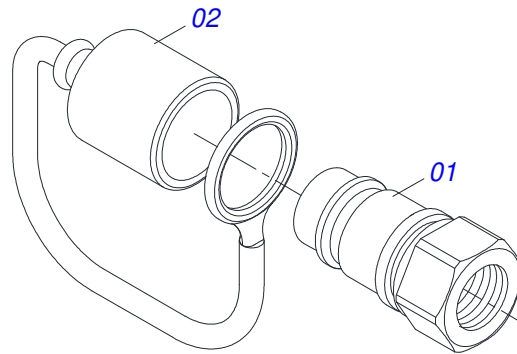
Item	Code	Description	See page	QT
01	0511068728	CYLINDER CASE LIFT		01
02	0511068729	ROD CILINDER ELEVATION		01
03	0551016446	101.6 X 63.5 PISTON		01
04	0503010345	2-218 N 3006-9B O'RING		01
05	0503010994	W2-4000-500 PK RING G.E		02
06	0503012725	GASKET		01
07	0503010817	1.1/4" SELF LOCKING NUT		01
08	0551016445	RING SUPPORT		01
09	0503013553	SEAL RING		02
10	0503010338	2-342 N 3006-9B O'RING		01
11	0503011061	8-342 BACK-UP RING		01
12	0503013552	GASKET		01
13	0503012642	D-3000 SCRAPER RING		01
14	0541019606	MOBILE COVER		01
15	0501037860	HYDRAULIC CYLINDER REPAIR KIT 76,20 X 101,6		



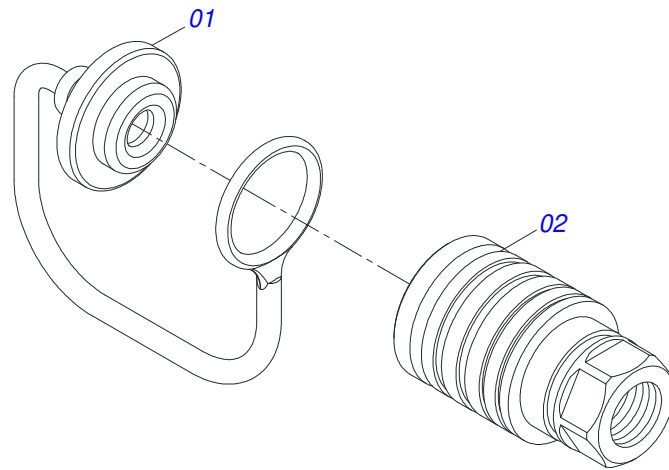
Item	Code	Description	See page	QT
01	0521060538	CYLINDER CASE		01
02	0521060537	ROD CILINDER ROCKER		01
03	0541019606	MOBILE COVER		01
04	0551016445	RING SUPPORT		01
05	0551016446	101.6 X 63.5 PISTON		01
06	0503010817	1.1/4" SELF LOCKING NUT		01
07	0503012642	D-3000 SCRAPER RING		01
08	0503013553	SEAL RING		02
09	0503013552	GASKET		01
10	0503011061	8-342 BACK-UP RING		01
11	0503010338	2-342 N 3006-9B O'RING		01
12	0503010994	W2-4000-500 PK RING G.E		02
13	0503012725	GASKET		01
14	0503010345	2-218 N 3006-9B O'RING		01
15	0501037860	HYDRAULIC CYLINDER REPAIR KIT 76,20 X 101,6		



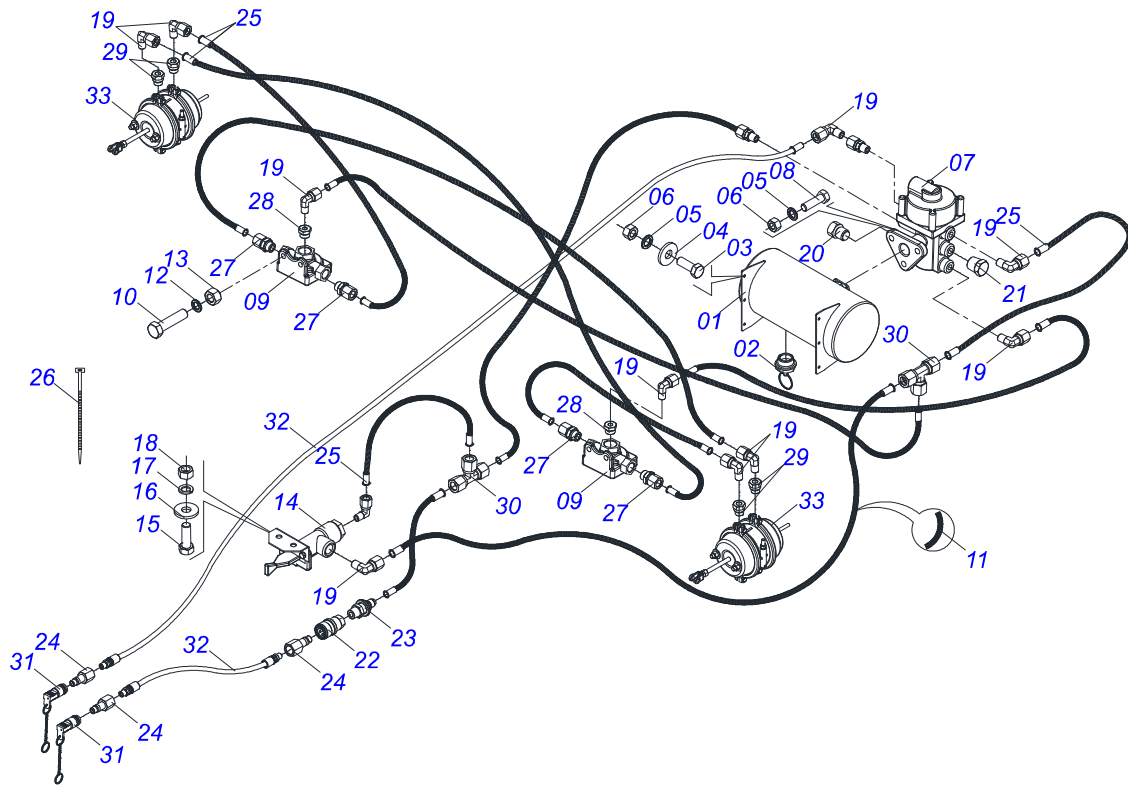
Item	Code	Description	See page	QT
01	0503015051	MWV VALVE		01
02	0541016752	1.1/4"X 1.1/16" UN X 11 NUT HEX		02
03	0561010527	NIPLA 1.1/16		04
04	0561010528	NIPLA 1.1 / 16		02
05	0503010045	O'RING		06



Item	Code	Description	See page	QT
01	0503011627	MALE QUICK COUPLER AGR 1/2 NPT		01
02	0503011882	MALE QUICK COUPLER CAP		01

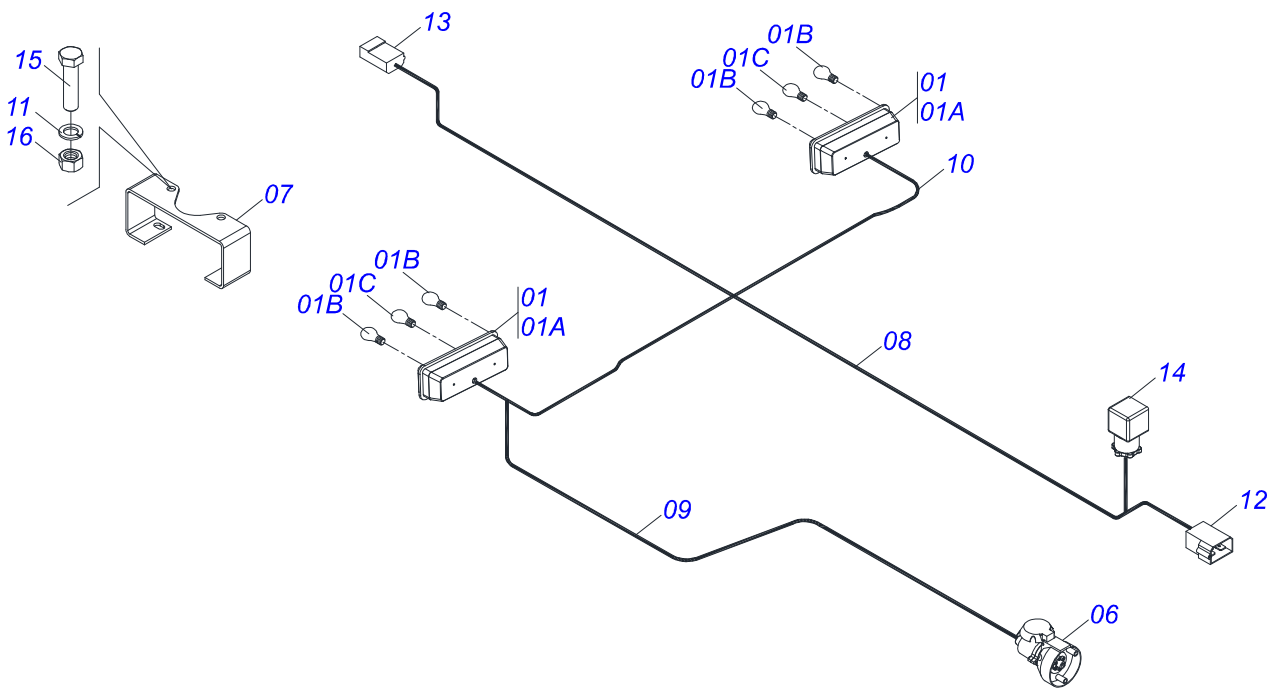


Item	Code	Description	See page	QT
01	0503011883	QUICK CONNECTION COVER		01
02	0503011628	FEMALE QUICK COUPLER		01



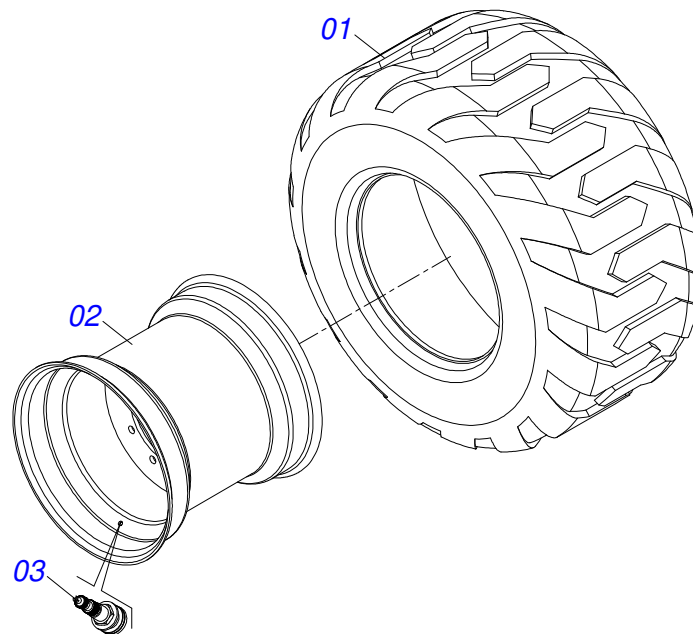
Item	Code	Description	See page	QT
01	0503033132	RESERVOIR AR 36L (CYLINDER)	01	
02	0503013523	VALVE	01	
03	0503010751	C3/8" X 1.1/4" HEX BOLT G.5	06	
04	0501010984	FLAT WASHER	06	
05	0503010025	3/8" SPRING WASHER	09	
06	0503010026	3/8" NUT	09	
07	0503032389	VALVE	01	
08	0503010751	C3/8" X 1.1/4" HEX BOLT G.5	03	
09	0503014038	VALVE	04	
10	0503010365	NUT	02	
11	0503032835	1/2 TUBE	22,43mts	
12	0503010179	5/16" ZN SPRING WASHER	02	
13	0503010337	5/16" NUT	02	
14	0503014039	VALVE DRIVE 1/4 9201001G37571	01	
15	0503010282	1/4" X 3/4" BOLT	02	
16	0503010305	FLAT WASHER	02	
17	0503010143	1/4" SPRING WASHER	02	
18	0503010144	1/4" NUT	02	
19	0503032307	CONNECT ELBOW	16	
20	0503013519	PLUG HEX 1/2 NPFT	01	
21	0503013518	1/4" PLUG	01	
22	0503014140	FEMALE QUICK COUPLER	02	
23	0503014138	UNION ANTEP TUBE	02	
24	0503013515	QUICK CONECTION	04	
25	0503014002	ADAPTER	28	
26	0503013527	CLAMP ZIPER	15	
27	0503014216	MALE CONNECTOR	04	
28	0503013481	REDUCTOR	04	
29	0503014037	REDUCTION	08	
30	0503032301	CONNECTION	02	
31	0503011424	QUICK COUPLING COVER (RED)	02	

Item	Code	Description	See page	QT
32	0501081275	1/2 X 3250 TM-TM HOSE		02
33	0503014056	SPRING BRAKE TUBE		02



FRETE DO TRANSBORDO

Item	Code	Description	See page	QT
01	0511056584	LANTERN WITH LAMP		02
01A	0503032811	FLASHLIGHT		01
01B	0503032812	1141 12V LAMP		02
01C	0503032813	67 12V 5W LAMP		01
06	0503062399	ELECTRIC CONNECTION		01
07	0561012907	ELECTRIC CONNECTION SUPPORT		01
08	0503014046	CABLE PP		02
09	0503013224	CABLE PP		12
10	0503015497	CABLE PP		14
11	0503010668	3/16" SPRING WASHER		03
12	0503013789	CONNECTOR 4V/1,5MM		01
13	0503013790	FEMALE CONNECTOR 4V/1,5MM		01
14	0503013566	PARKER PLUG		01
15	0503017866	3/16" X 1,1/2" BOLT		03
16	0503010667	3/16" NUT		03



Item	Code	Description	See page	QT
01	0503015483	TIRE 600/50-22.5 TL T404 168A8		01
02	0503013045	WHEEL ASSY		01
03	0503013999	VALVE		01



civemasa

Technical Publications | Elaboration and Revision

LORENA ROCHA ALVES

www.civemasa.com.br

