

DISK HARROWS

GPCR 12/14/16D - DM PN 11L15

Code: 0501093043
Series: S-0214
Revision: 00
Revision Date: AGOSTO/2021

PARTS CATALOGUE


CIVEMASA

PRODUCTS

Code	Description
0121010121	GPCR 12 X 34 X 9,00 DM PN 11L15 S-0214
0121010010	GPCR 14 32X9,0 DM PN 11L15 S-0214
0121010123	GPCR 14 X 34 X 9,0 DM PN 11L15 S-0214
0121010011	GPCR 16 32X9,00 DM PN 11L15 S-0214
0121010122	GPCR 16 X 34 X 9,00 DM PN 11L15 S-0214

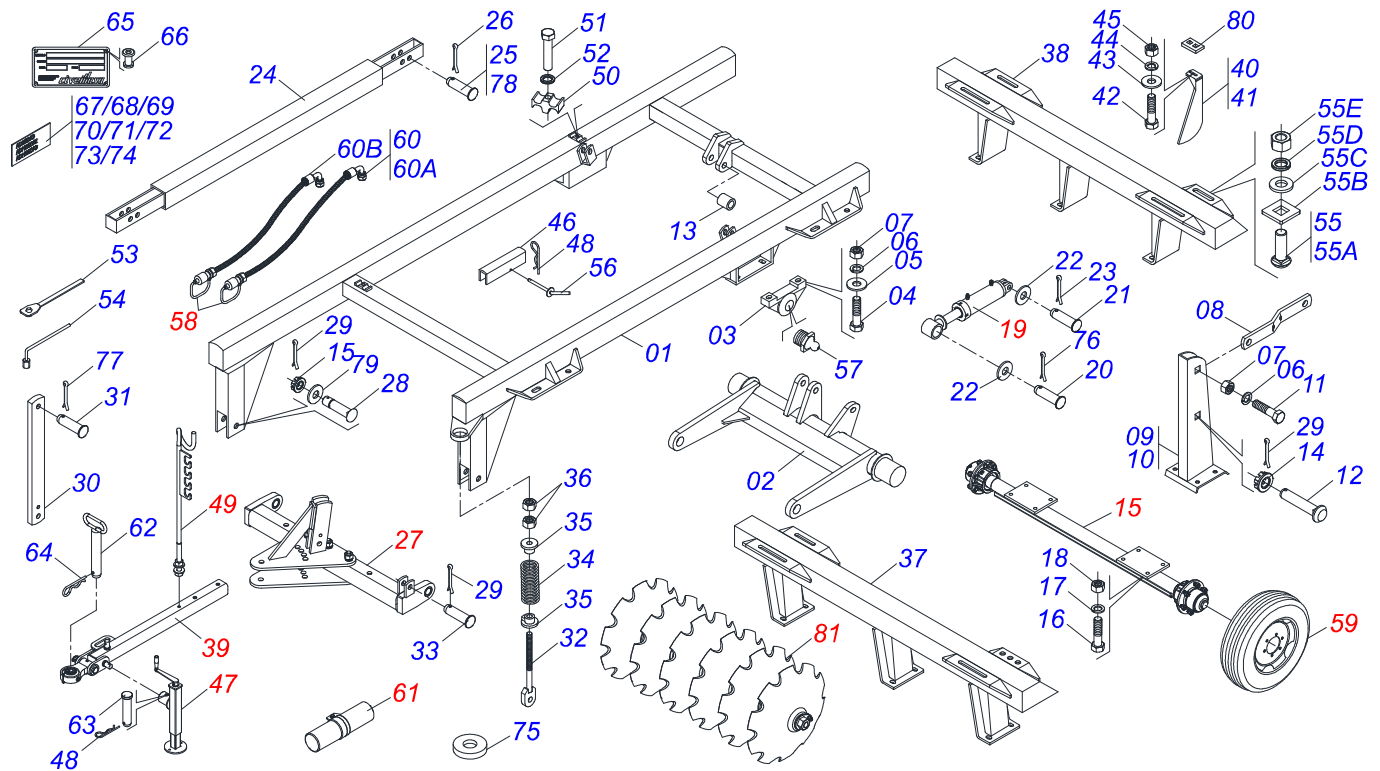
ATTENTION: IMPORTANT

Civemasa reserves the right to improve and / or modify the technical features of its products, without obligation to do the same with those products already sold and without prior knowledge of the dealer or the consumer.



INDEX

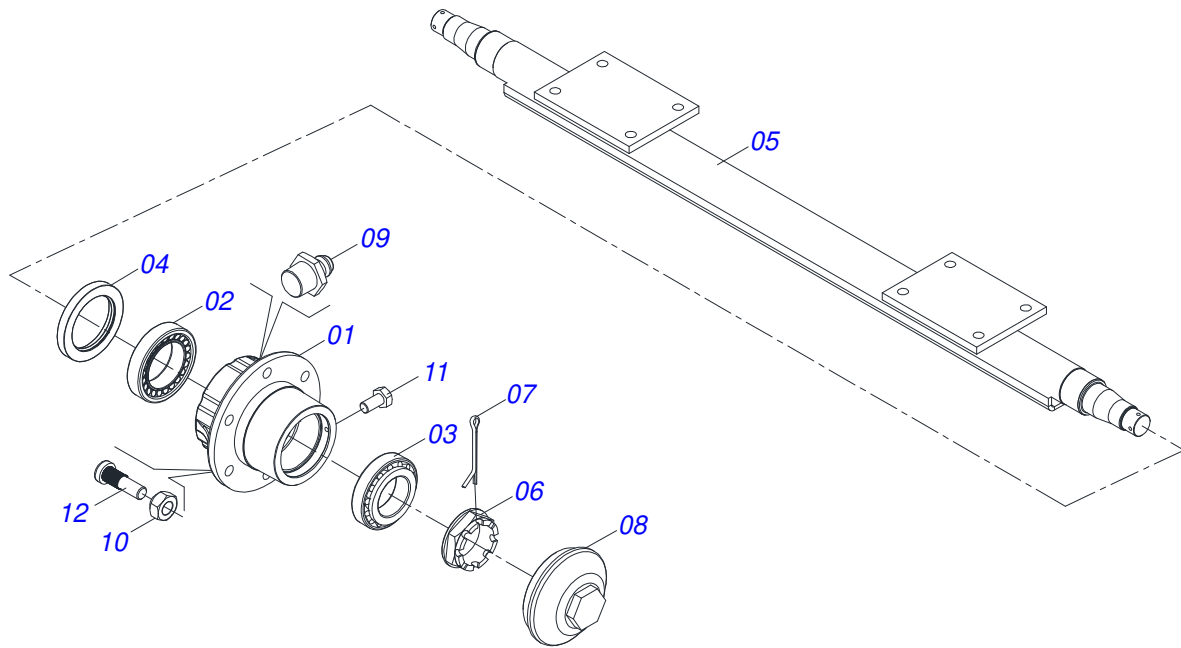
0909095951	ASSY FRAME - 12/14/16	1
0501047937	3" X 73.2" STUB SHAFT & HUB ASSY	2
0501044309	2.0" X 5" X 20" X 10" HYDRAULIC CYLINDER	3
0511040013	OFFSET BAR ASSY	4
0521048502	ASSY TRACTION BAR	5
0521057520	HITCH ASSY	6
0511048088	DRAWBAR JACK	7
0501040257	3/4 X 1200 HOSE HOLDER A	8
0501053834	MALE QUICK COUPLER WITH CAP - 1/2 NPT	9
0503061864	WHEEL SET	10
0521052434	ASSY PORT MANUAL INSTRUCCION	11
0909095952	GANG DISC	12
0501046926	330MM X 2-1/8" RD. OIL BATH BEARING	13



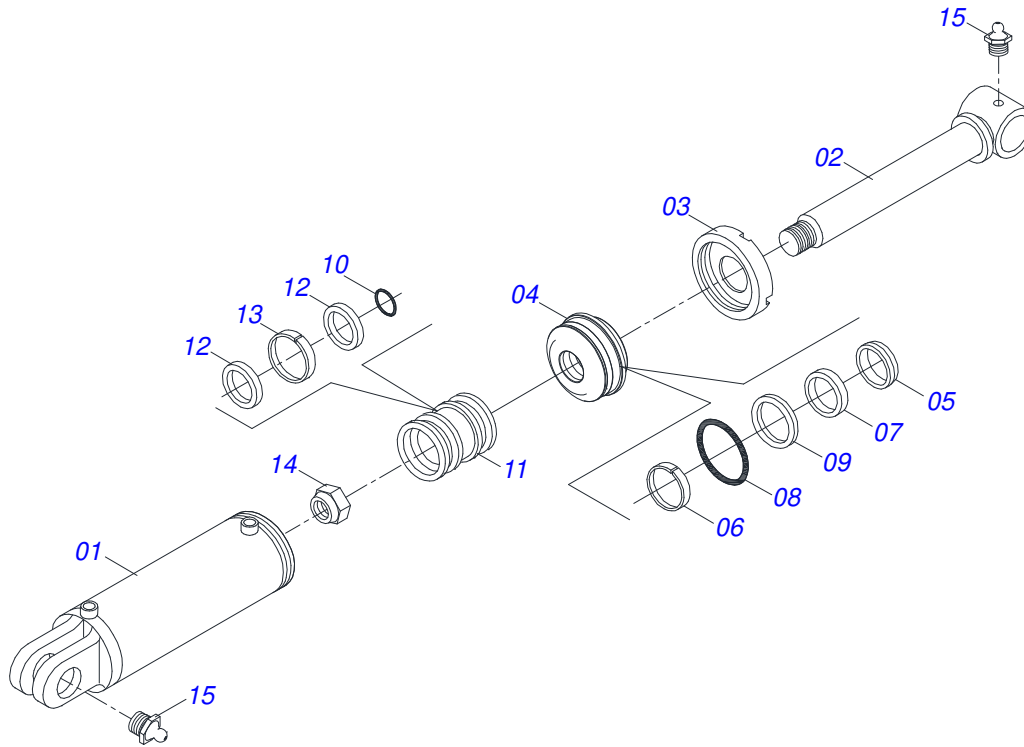
Item	Code	Description	See page	12	14	16
01	0521063448	FRAME RSPR 10A16		01	01	01
02	0501068210	CARRYING-WHEELS		01	01	01
03	0502010972	ARTICULACION BEARING		02	02	02
04	0503011432	BOLT		06	06	06
05	0501010065	1" SPRING WASHER		04	04	04
06	0503011438	SPRING WASHER		12	12	12
07	0501010059	1.5/8 NUT		08	08	08
08	0501110404	SUPPORT BAR		02	02	02
09	0501068260	RIGHT SUSPENSION TOWER		01	01	01
10	0501068261	LEFT SUSPENSION TOWER		01	01	01
11	0511017974	1 U BOLT OF THE SUSPENSION TOWER		02	02	02
12	0511018006	1-1/2 X 4.13" U BOLT OF SUSP TOWER		02	02	02
13	0521010737	2" X 1.5" X 1.4" SLEEVE		06	06	06
14	0501011301	1.1/2 UNC 6FPP 2.5/16 NUT		09	09	09
15	0501047937	3" X 73.2" STUB SHAFT & HUB ASSY	2	02	02	02
16	0501810125	SCREW 3/4 UNC X 2.1/2 C S G.5		08	08	08
17	0503011442	3/4" SPRING WASHER		08	08	08
18	0503010014	3/4" NUT		08	08	08
19	0501044309	2.0" X 5" X 20" X 10" HYDRAULIC CYLINDER	3	01	01	01
20	0521010547	1.2" X 6.5" COUPLING SHAFT		02	02	02
21	0511810174	COUPLING SHAFT		02	02	02
22	0501017779	32 X 60 X 4.75 FLAT WASHER		04	04	04
23	0503010010	1/4" X 2.1/2" COTTERPIN		02	02	02
24	0501066222	STABILIZER BAR		01	01	01
25	0521010575	C0.9" X 3.3" COUPLING SHAFT		02	02	02
26	0503010571	1/4" X 1.1/2 COTTERPIN		04	04	04
27	0511040013	OFFSET BAR ASSY	4	01	01	01
28	0551813708	COUPLING SHAFT		02	02	02
29	0503010534	3/8 X 2-1/2 COTTERPIN		02	02	02
30	0511012972	TSTABILIZER BAR TOWER		01	01	01
31	0521810575	COUPLING SHAFT		02	02	02

Item	Code	Description	See page	12	14	16
32	0501066240	SPRING ROD		01	01	01
33	0521010592	1.1" X 3.1" COUPLING SHAFT		01	01	01
34	0503030441	12.7" X 5.7" X 0.5"SPRING		01	01	01
35	0502020394	SPRING SUPPORT		02	02	02
36	0501810059	1" NUT		02	02	02
37	0521064603	FRONT FRAME		01	00	00
37.	0521064605	FRONT FRAME		00	01	00
37..	0521064607	FRONT FRAME		00	00	01
38	0521064604	REAR FRAME		01	00	00
38.	0521064606	REAR FRAME		00	01	00
38..	0521064608	REAR FRAME		00	00	01
39	0521048502	ASSY TRACTION BAR	5	01	01	01
40	0501060423	FRONT SCRAPER		06	07	08
41	0501060424	REAR SCRAPER		06	07	08
42	0503010233	5/8" X 2-1/2" BOLT		12	14	16
43	0501012140	FLAT WASHER		12	14	16
44	0503010027	5/8" SPRING WASHER		12	14	16
45	0503010013	5/8" NUT		12	14	16
46	0501066386	TRANSPORT LOCK 9.54"		02	02	02
47	0511048088	DRAWBAR JACK	7	01	01	01
48	0503030168	HAIR PIN		02	02	02
49	0501040257	3/4 X 1200 HOSE HOLDER A	8	01	01	01
50	0502012702	BODY SUPPORT CLAMP		02	02	02
51	0503012555	SCREW 7/16 UNC X 2 CS RT G.7 ZN		03	03	03
52	0503010180	7/16" SPRING WASHER		03	03	03
53	0501061044	2-1/8" AND 2-1/2" CABLE FLAT WRENCH		01	01	01
54	0501061045	1" WRENCH CYLINDRICAL		01	01	01
55	0501040877	C1" X 3-1/4" ASSY BOLT		08	08	08
55A	0501010171	BOLT 1 UNC X 3.1/2 C S G.5		01	01	01
55B	0502012861	1" SQUARE WASHER		01	01	01
55C	0501010065	1" SPRING WASHER		01	01	01
55D	0503010012	1" SPRING WASHER		01	01	01
55E	0501010059	1.5/8 NUT		01	01	01
56	0501068994	0.3" X 3.1"LOCK PIN		02	02	02
57	0503010002	1800 GREASE FITTING		05	05	05
58	0501053834	MALE QUICK COUPLER WITH CAP - 1/2 NPT	9	02	02	02
59	0503061864	WHEEL SET	10	02	02	02
60	0511054699	HOSE ASSY		01	01	01
60A	0501080476	3/8" X 26" TC-TM HOSE ASSY		01	01	01
60B	0501080477	HOSE 3/8 X 7012 TC-TM		01	01	01
61	0521052434	ASSY PORT MANUAL INSTRUCCION	11	01	01	01
62	0501069080	COUPLING SHAFT		01	01	01
63	0521010549	COUPLING SHAFT		01	01	01
64	0503031035	HAIR PIN		01	01	01
65	0503034004	ALUMINUM IDENTIFICATION LABEL		01	01	01
66	0503010001	3.2 X 5.5 RIVET		04	04	04
67	0503031827	LUBRICATE AND RETIGHTEN DAILY DECAL		01	01	01
68	0503031428	READ MANUAL DECAL		01	01	01
69	0503033647	APPROVED BADGE		01	01	01
70	0503033038	DANGER SIGN		01	01	01
71	0503031739	ADHESIVE LABEL		01	01	01
72	0503034078	LIFTING POINTS DECAL		04	04	04
73	0503032524	BADGE		02	02	02
74	0503034355	EMBLEM		02	02	02
75	0571013017	FLAT WASHER		02	02	02
76	0503010010	1/4" X 2.1/2" COTTERPIN		02	02	02
77	0503010571	1/4" X 1.1/2 COTTERPIN		02	02	02
78	0521810576	COUPLING SHAFT		01	01	01
79	0511819880	FLAT WASHER		02	02	02

Item	Code	Description	See page	12 14 16
80	0501010299	SCRAPER LOCK		16 16 16
81	0909095952	GANG DISC	12	01 01 01

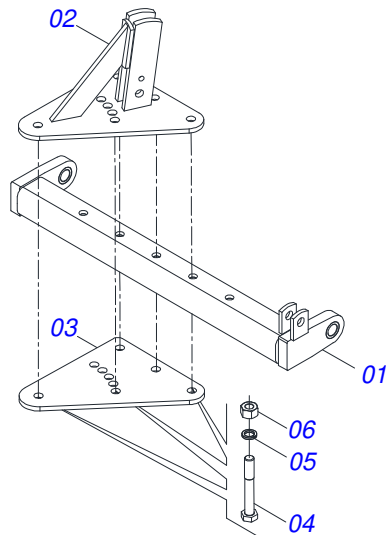


Item	Code	Description	See page	QT
01	0502011389	BOX		02
02	0503010006	32210 ROLLER BEARING		02
03	0503010005	32212 ROLLER BEARING		02
04	0503011866	SEAL 00573-B WITH HOLE		02
05	0501066915	3" X 71" AXLE		01
06	0501010888	1.3/4" 2.5/16" CASTLE NUT		02
07	0503010010	1/4" X 2.1/2" COTTERPIN		02
08	0502020593	COVER		02
09	0503010002	1800 GREASE FITTING		02
10	0503010064	5/8 UNF CONIC NUT		12
11	0503010295	SCREW 5/16 UNC X 5/8 CS G.2 ZN		02
12	0501010186	WHEEL SCREW 5/8UNF X 2.1/8CR		12

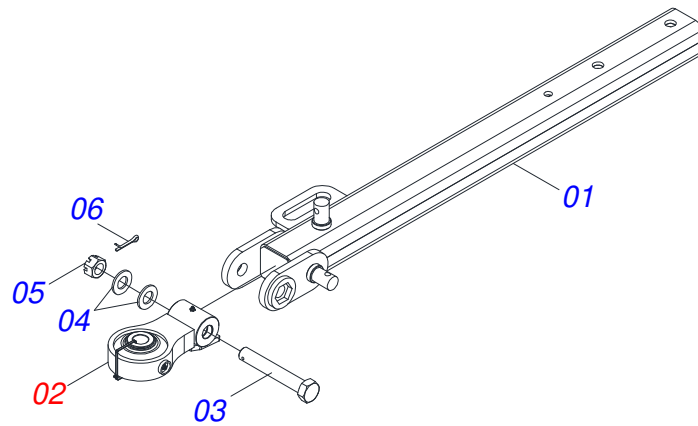


Item	Code	Description	See page	QT
01	0501069075	BODY 127 X 424		01
02	0501068963	HYDRAULIC CYLINDER TURNBUCKLE		01
03	0502010382	5" END CAP		01
04	0502012227	50.80 X 127 RING SUPPORT		01
05	0503010039	D-2000 SCRAPER RING		01
06	0503010952	W2-2250-500 RING		01
07	0503010991	1870-2000-375-B GASKET		01
08	0503010351	2-425 N 3006-9B O'RING		01
09	0503011062	8-425 BACK-UP RING		01
10	0503010345	2-218 N 3006-9B O'RING		01
11	0502010963	2.0" X 5.0" PISTON		01
12	0503010552	PACKING 3750-4250-625-B		02
13	0503010974	W2-5000-500 RING		01
14	0503010817	1.1/4" SELF LOCKING NUT		01
15	0503010002	1800 GREASE FITTING		02
16	0501031961	HYDRAULIC CYLINDER REPAIR KIT		01

OFFSET BAR ASSY

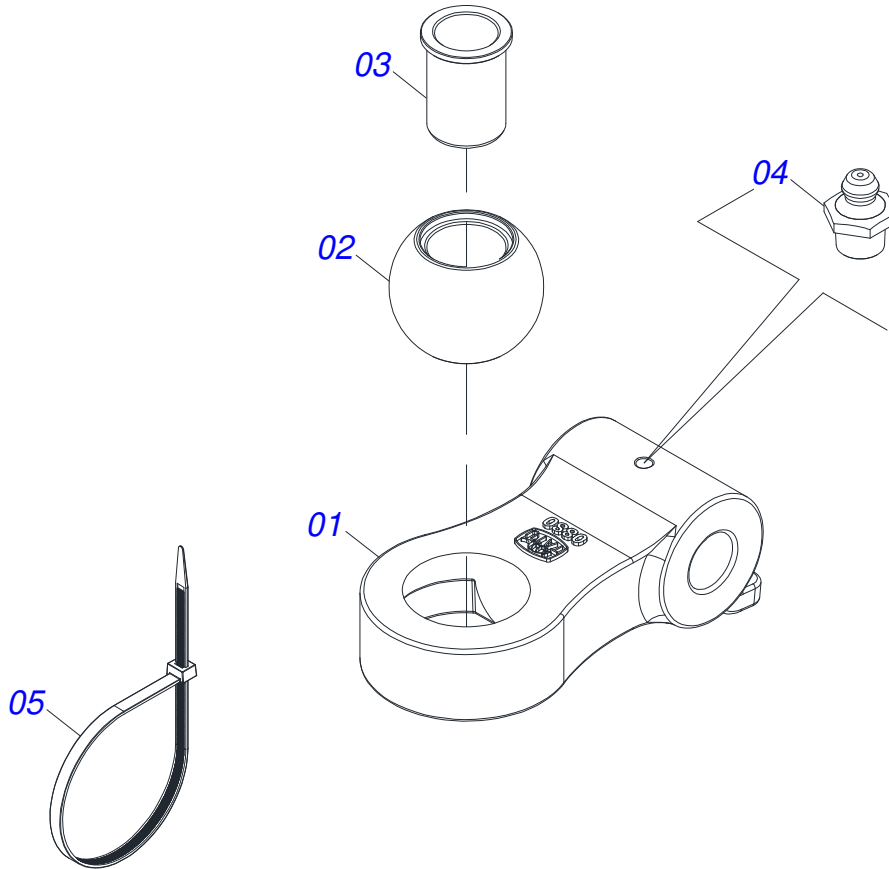


Item	Code	Description	See page	QT
01	0501066223	OFFSET BAR		01
02	0501066235	UPPER PLATE WITH SUPPORT		01
03	0511013000	UPPER /LOWER PLATE		01
04	0501010334	1" X 7" BOLT		05
05	0503011438	SPRING WASHER		05
06	0501010059	1.5/8 NUT		05

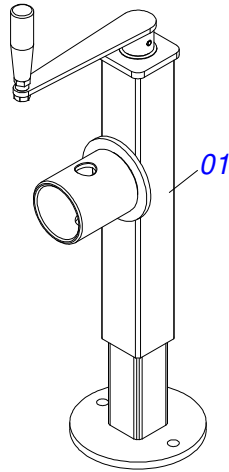


Item	Code	Description	See page	QT
01	0521069165	DRAWBAR ASSY		01
02	0521057520	HITCH ASSY	6	01
03	0581015973	1.1/4 UNC X 8 C S G5 SCREW		01
04	0501017779	32 X 60 X 4.75 FLAT WASHER		02
05	0503013026	1.1/4" CASTLE NUT		01
06	0503010010	1/4" X 2.1/2" COTTERPIN		01

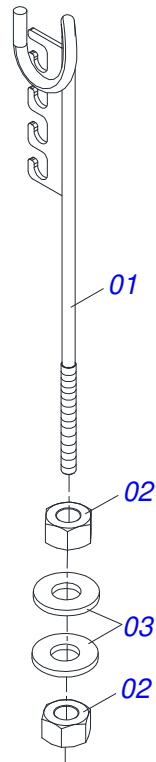
HITCH ASSY



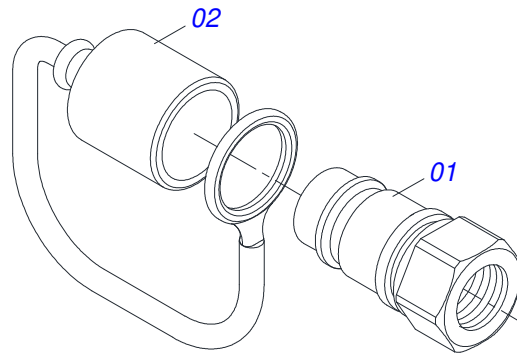
Item	Code	Description	See page	QT
01	0502040880	HITCH BODY		01
02	0502040885	BODY ATTACHMENT		01
03	0591012511	SLEEVE		01
04	0503010002	1800 GREASE FITTING		01
05	0503018829	NYLON CLAMP		01



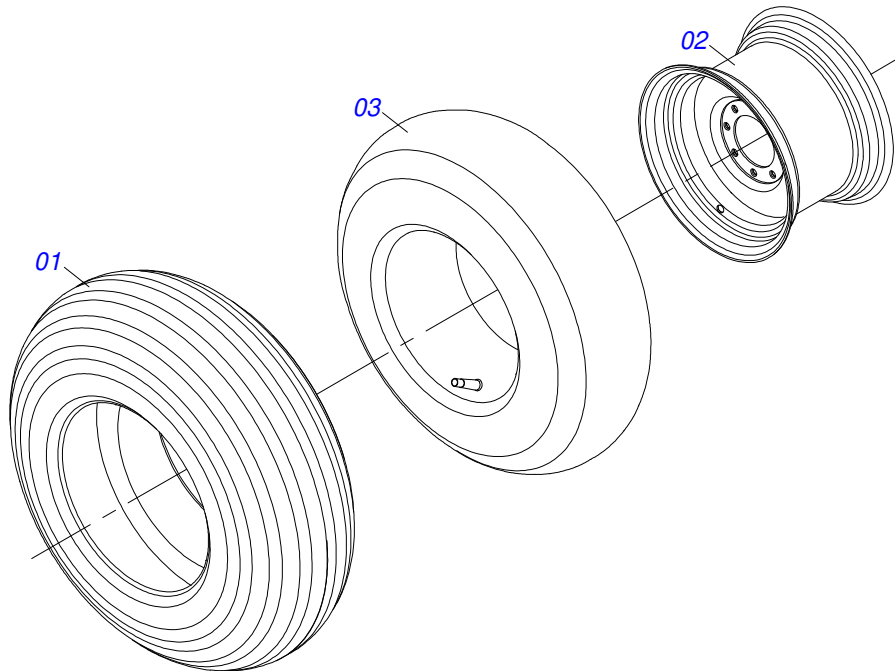
Item	Code	Description	See page	QT
01	0503062227	DRAWBAR JACK		01



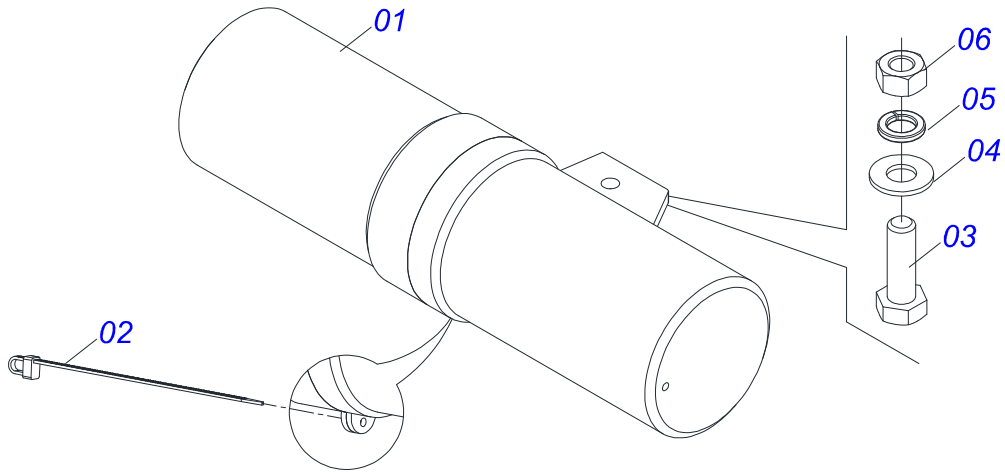
Item	Code	Description	See page	QT
01	0511067334	HOSE SOPPORT ASSY		01
02	0503010014	3/4" NUT		02
03	0501010322	FLAT WASHER		02



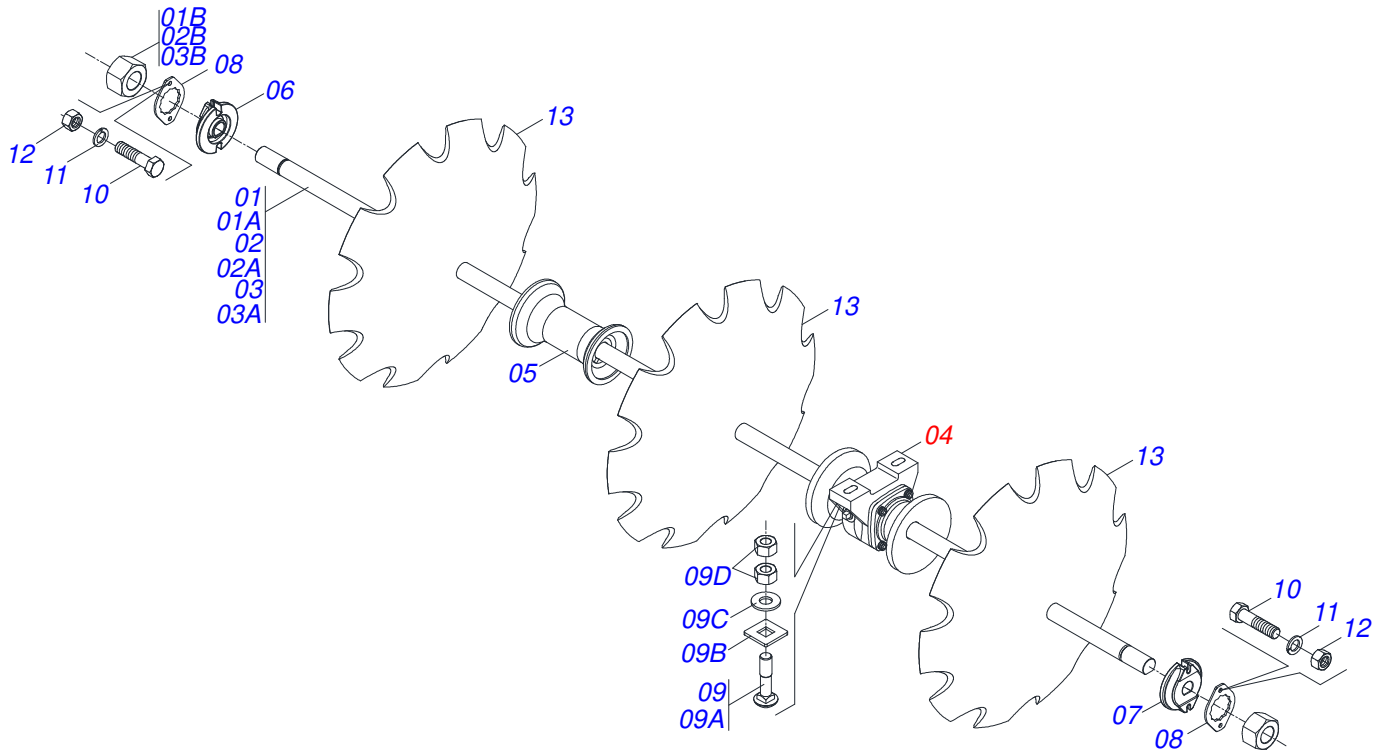
Item	Code	Description	See page	QT
01	0503011627	MALE QUICK COUPLER AGR 1/2 NPT		01
02	0503011882	MALE QUICK COUPLER CAP		01



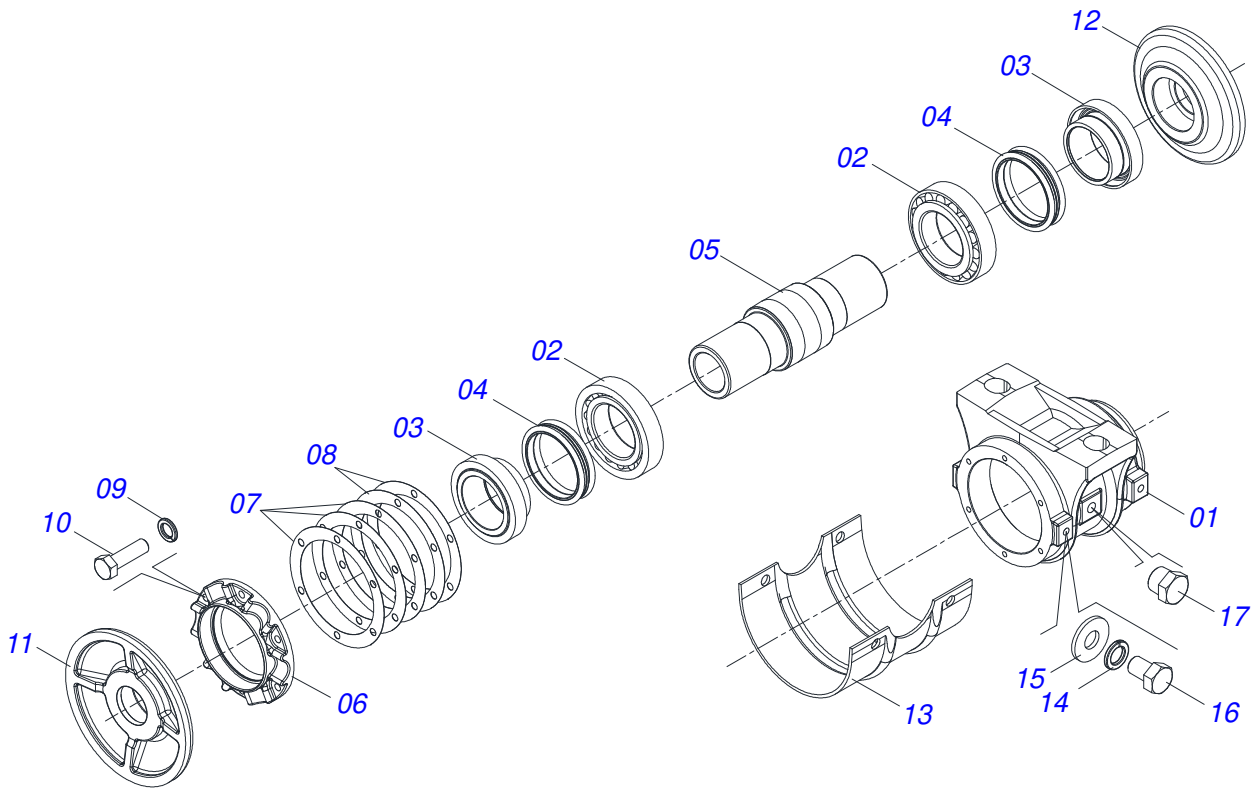
Item	Code	Description	See page	QT
01	0503011469	RIB TIRE 12L		01
02	0511064777	CR 30M/2-L15 WHEEL		01
03	0503010860	CAMARA AR 11L 15		01



Item	Code	Description	See page	QT
01	0503060100	OPERATOR'S MANUAL STORAGE TUBE		01
02	0503013100	NYLON CLAMP		01
03	0503010363	5/16" X 1" BOLT		01
04	0501010694	8.5 X 18 X 1.5 FLAT WASHER		01
05	0503010179	5/16" ZN SPRING WASHER		01
06	0503010337	5/16" NUT		01



Item	Code	Description	See page	12	14	16
01	0501041515	2-1/8" X 102" AXLE WITH NUTS		00	00	02
01A	0501013761	2-1/8" X 102" AXLE		00	00	02
01B	0502040063	2.1/8" X 54 99 NUT		00	00	04
02	0511042123	2-1/8" X 76" AXLE WITH NUTS		02	00	00
02A	0501013759	2-1/8" X 76" AXLE		02	00	00
02B	0502040063	2.1/8" X 54 99 NUT		04	00	00
03	0501041514	2-1/8" X 8.9" AXLE WITH NUTS		00	02	00
03A	0501013760	2-1/8" X 8.9" AXLE		00	02	00
03B	0502040063	2.1/8" X 54 99 NUT		00	04	00
04	0501046926	330MM X 2-1/8" RD. OIL BATH BEARING	13	04	04	06
05	0502010643	13" 2-1/8" SPACER		06	08	08
06	0502010595	2-1/8" INNER AXLE WASHER		02	02	02
07	0502010594	2-1/8" EXTERNAL AXLE WASHER		02	02	02
08	0541010368	NUT LOCK		04	04	04
09	0501042139	1" X 4.3" ASSY BOLT		12	12	12
09A	0501011547	1" X 4-1/2" BOLT		01	01	01
09B	0502012861	1" SQUARE WASHER		01	01	01
09C	0541010210	FLAT WASHER		01	01	01
09D	0501010059	1.5/8 NUT		02	02	02
10	0503010232	5/8" X 1.3/4" BOLT		08	08	08
11	0503010027	5/8" SPRING WASHER		08	08	08
12	0503010013	5/8" NUT		08	08	08
13	0602046013	34" X 0.3" NOTCHED DISC BLADE		12	14	16
13.	0602044001	32" X 0.3" NOTCHED DISC BLADE		00	14	16



Item	Code	Description	See page	QT
01	0502010742	HOUSING DM	01	01
02	0503010117	32216 ROLLER BEARING	02	02
03	0502040123	SEAL RETAINER	02	02
04	0503030028	JB-257 SEAL	02	02
05	0502040034	BEARING AXLE	01	01
06	0502010645	HOUSING CAP DM	01	01
07	0503030536	7.1" X 5.5" X 0.01" JOINT	03	03
08	0503030686	7.1" X 5.5" X 0.004" JOINT	02	02
09	0503011443	3/8" SPRING WASHER	06	06
10	0503010751	C3/8" X 1.1/4" HEX BOLT G.5	06	06
11	0502040260	OUTER FLANGE	01	01
12	0502040261	INNER FLANGE	01	01
13	0511013169	PROTECTION COVER BEARING	01	01
14	0503010019	1/2" SPRING WASHER	04	04
15	0511017302	FLAT WASHER	04	04
16	0503011401	1/2" X 3/4" BOLT	04	04
17	0503010856	OIL PLUG	02	02



civemasa

Technical Publications | Elaboration and Revision
LORENA ROCHA ALVES

www.civemasa.com.br

