

**DISK HARROWS**

**GVMF 20/22/24D**

**Code:** 0501093040  
**Series:** S-1113  
**Revision:** 00  
**Revision Date:** FEVEREIRO/2023

# PARTS CATALOGUE

***CIVEMASA***




# PRODUCTS

<b>Code</b>	<b>Description</b>
0120040034	GVMF 20 32X9,0 DR 400/60 S-1113
0120040035	GVMF 20 34X9,0 DR 400/60 S-1113
0120040037	GVMF 22CX32X9,0 DR 400/60 S-1113
0120040037C	GVMF 22CX32X9,0 DR E 2 PN 400/60 EXP S-1113
0120040038	GVMF 22CX34X9,0 DR 400/60 S-1113
0120040040	GVMF 24CX32X9,0 DR 400/60 S-1113
0120040040C	GVMF 24CX32X9,0 DR EIXO 2 400/60 EXP S-1113
0120040041	GVMF 24CX34X9,0 DR 400/60 S-1113

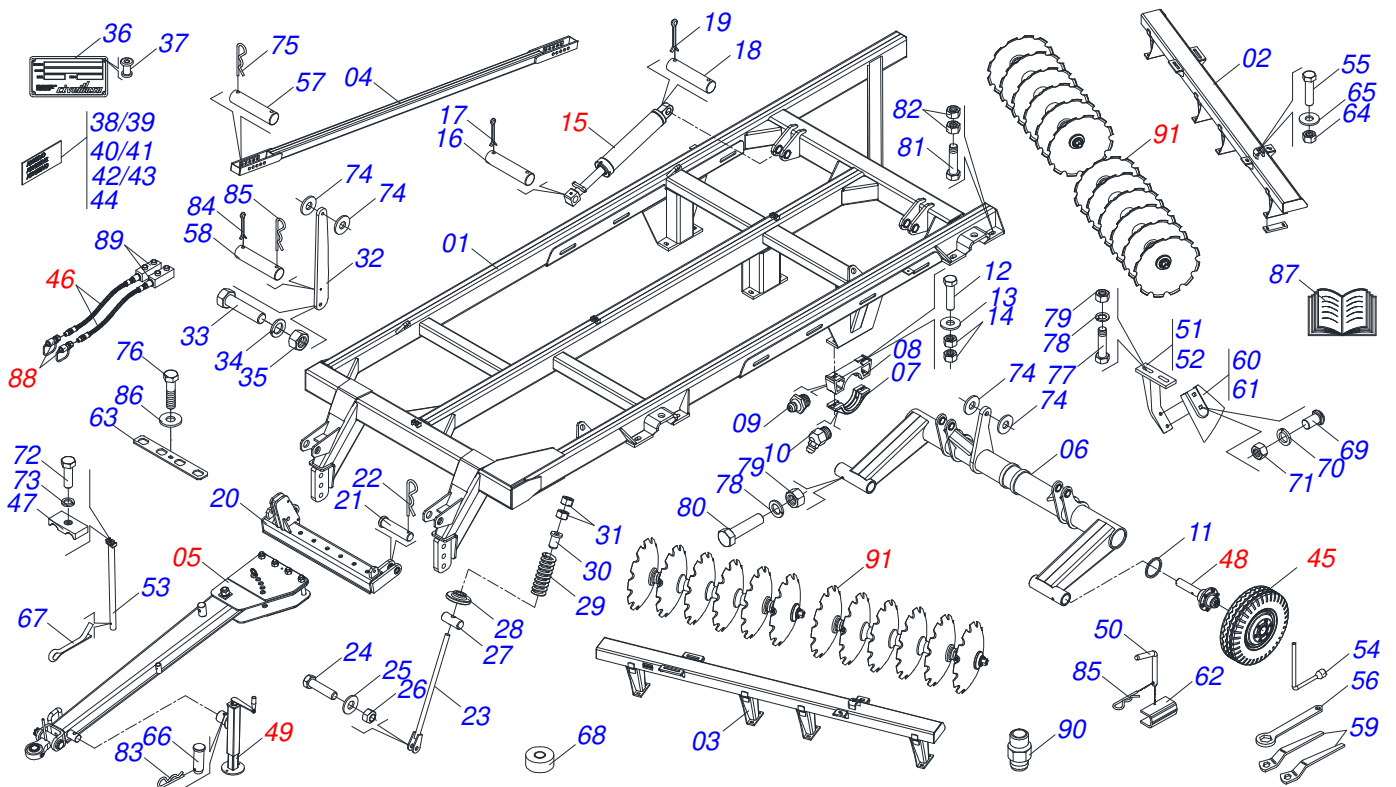
## **ATTENTION: IMPORTANT**

CIVEMASA reserves the right to improve and/or modify the technical features of its products, without obligation to do the same with those products already sold and without prior knowledge of the dealer or the customer. The photos are only illustrative.



# INDEX

0909095930	ASSY FRAME	.....	1
0511050262	DRAWBAR ASSEMBLY	.....	2
0501048626	HYDRAULIC CYLINDER 53,98X101,6X730X400 - (UNTIL 08/2021)	.....	3
0531041451	HYDR. CYLINDER 53,98X101,6X728X400 - (FROM 09/2021)	.....	4
0501055850	CARRYNG WHEEL HUB ASSEMBLY ASSY	.....	5
0503061868	400/60 WHEEL WITH TIRE	.....	6
0501053212	HOSE SET	.....	7
0511048088	DRAWBAR JACK	.....	8
0909092632	COMPLETE DISC SECTION	.....	9
0501048557	BEARING OIL	.....	10

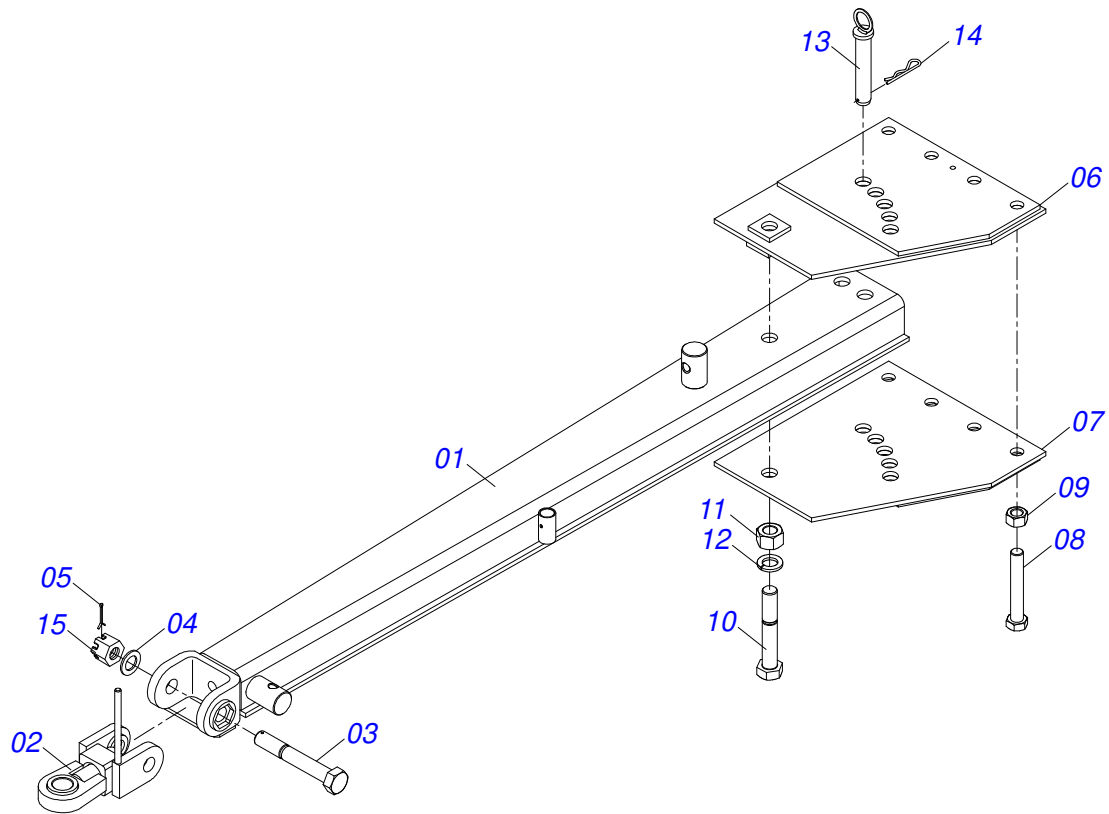


Item	Code	Description	See page	20	22	24
01	0511060528	FRAME		01	01	01
02	0511060634	REAR FRAME		01	00	00
02.	0511062311	REAR FRAME		00	01	00
02..	0511061433	REAR FRAME		00	00	01
03	0511060635	FRONT FRAME		01	00	00
03.	0511062310	FRONT FRAME		00	01	00
03..	0511061603	FRONT FRAME		00	00	01
04	0511060527	STABILIZER BAR		01	01	01
05	0511050262	DRAWBAR ASSEMBLY	2	01	01	01
06	0521064270	WHEEL AXLE		01	01	01
07	0502011724	INF BEARING SEMI		03	03	03
08	0502011725	UPPER BEARING SEMI		03	03	03
09	0503010002	1800 GREASE FITTING		06	06	06
10	0503010003	1845 GREASE FITTING		06	06	06
11	0503012222	FELT RING		06	06	06
12	0511016281	3/4" X 8" BOLT		06	06	06
13	0521013710	WASHER SEMIMAN		06	06	06
14	0503012183	SNC 3/4" ZIN 1K03097 NUT		12	12	12
15	0501048626	HYDRAULIC CYLINDER 53,98X101,6X730X400 - 3 (UNTIL 08/2021)		02	02	02
15.	0531041451	HYDR. CYLINDER 53,98X101,6X728X400 - (FROM 09/2021)	4	02	02	02
16	0521013706	HEADLESS PIN		02	02	02
17	0503010010	1/4" X 2.1/2" COTTERPIN		04	04	04
18	0521013707	HEADLESS PIN		02	02	02
19	0503010010	1/4" X 2.1/2" COTTERPIN		04	04	04
20	0511060203	DRAWBAR ASSY		01	01	01
21	0521013738	PIN WITH HEAD		02	02	02
22	0503031479	STAPLE		02	02	02
23	0511060124	ASSEMBLY TIME		02	02	02
24	0501010500	3/4"X3"BOLT		02	02	02
25	0501010322	FLAT WASHER		02	02	02

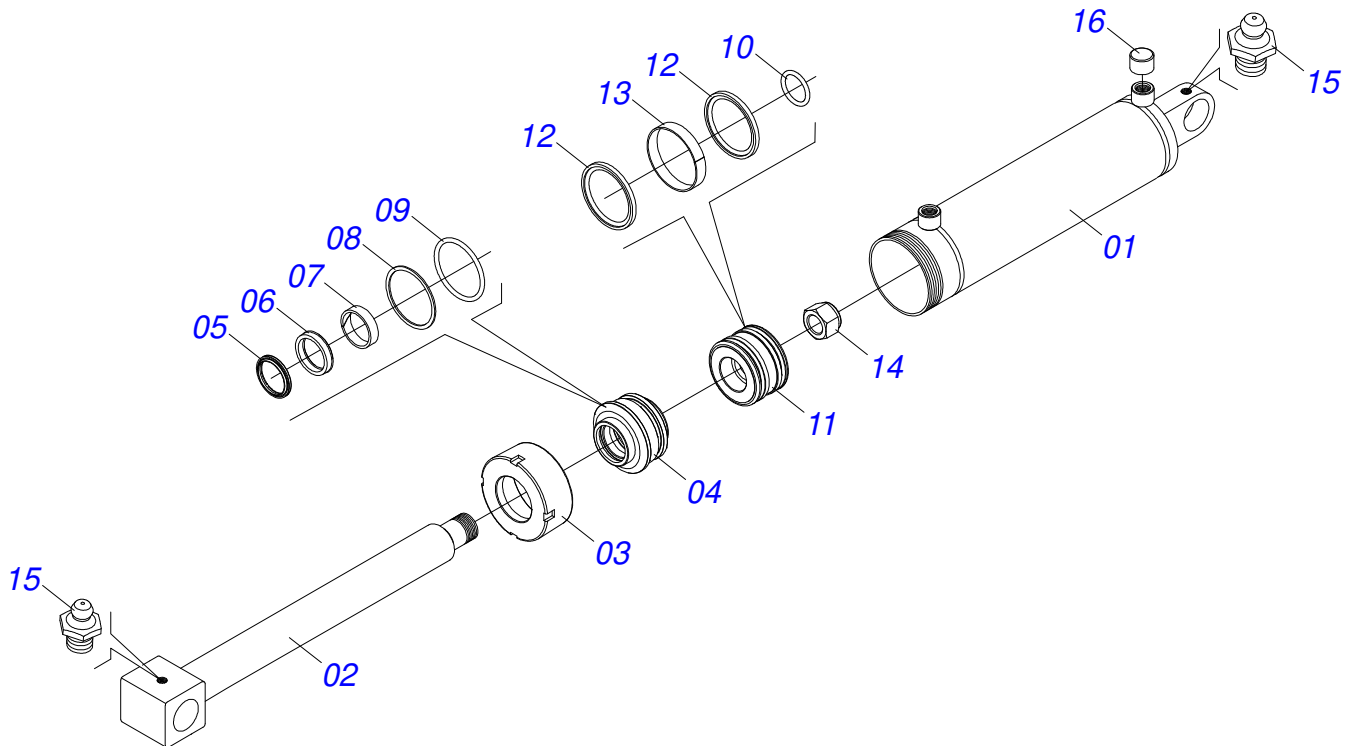
**ASSY FRAME**

Item	Code	Description	See page	20	22	24
26	0503011255	3/4" LOCK NUT		02	02	02
27	0521013759	PIN SPINDLE GUIDE		02	02	02
28	0521013760	SPRING SUPPORT		02	02	02
29	0503031460	SPRING		02	02	02
30	0502011582	SPINDLE GUIDE		02	02	02
31	0503012182	1" NUT		04	04	04
32	0521014367	TOWER GVPF		01	01	01
33	0503012226	1-1/4" X 4" BOLT		01	01	01
34	0503010070	SPRING WASHER		01	01	01
35	0503012181	1.1/4" NUT		01	01	01
36	0503034004	ALUMINUM IDENTIFICATION LABEL		01	01	01
37	0503010001	3.2 X 5.5 RIVET		04	04	04
38	0503031738	ADHESIVE LABEL		01	01	01
39	0503033434	ADHESIVE		01	01	01
40	0503031428	READ MANUAL DECAL		01	01	01
41	0503033038	DANGER SIGN		02	02	02
42	0503033647	APPROVED BADGE		01	01	01
43	0503031739	ADHESIVE LABEL		01	01	01
44	0503034355	EMBLEM		02	02	02
45	0503061868	400/60 WHEEL WITH TIRE	6	02	02	02
46	0501053212	HOSE SET	7	01	01	01
47	0502012702	BODY SUPPORT CLAMP		04	04	04
48	0501055850	CARRYNG WHEEL HUB ASSEMBLY ASSY	5	02	02	02
49	0511048088	DRAWBAR JACK	8	01	01	01
50	0541016844	FIXER LOCK		02	02	02
51	0511060138	FRONT CLEANER SUPPORT		10	10	12
52	0511060139	REAR CLEANER SUPPORT		10	10	12
53	0511060205	SUPPORT HOSE CNS 20104N		01	01	01
54	0503018438	1" WRENCH CYLINDRICAL HEX		01	01	01
55	0503019212	BOLT		02	02	02
56	0511064004	WRENCH		01	01	01
57	0521013776	PIN SEM HEAD		02	02	02
58	0521013812	PIN FREE HEAD		01	01	01
59	0501011431	1-3/4" GANG BOLT WRENCH		02	02	02
60	0521013678	FRONT CLEANER		10	10	12
61	0521013679	REAR CLEANER		10	10	12
62	0591018207	LOCK FOR TRANSPORT		02	02	02
63	0521013774	GVMF LOCK		01	01	01
64	0502011692	3442029 NUT		02	02	02
65	0521014368	FLAT WASHER		02	02	02
66	0561014251	COUPLING SHAFT		01	01	01
67	0503012215	5/16" X 2-1/2" COTTERPIN		01	01	01
68	0503013171	SEALING		01	01	01
69	0503012195	5/8" NUT		30	30	48
70	0503010027	5/8 SPRING WASHER		30	30	48
71	0503010013	5/8 NUT		30	30	48
72	0503012555	SCREW 7/16 UNC X 2 CS RT G.7 ZN		04	04	04
73	0503010180	7/16" SPRING WASHER		04	04	04
74	0521013818	STRENGTHENING GL 41005 3281218		04	04	04
75	0503031470	TM 251 X 4,0 STAPLE		02	02	02
76	0501010108	5/8" X 1" BOLT		01	01	01
77	0503012180	FRENCH 3/4" X 2 BOLT		30	30	48
78	0503010023	3/4" SPRING WASHER		30	30	48
79	0503012183	SNC 3/4" ZIN 1K03097 NUT		35	35	50
80	0503011084	3/4" X 5" BOLT		02	02	02
81	0503012257	1" X 4-1/4" BOLT		08	08	08
82	0503012182	1" NUT		16	16	16
83	0503030012	HITCH PIN CLIP		01	01	01
84	0503010362	1/8 X 1.1/4 COTTERPIN		03	03	03

<b>Item</b>	<b>Code</b>	<b>Description</b>	<b>See page</b>	<b>20</b>	<b>22</b>	<b>24</b>
85	0503031464	TM 211 X 3,0 STAPLE		03	03	03
86	0501012140	FLAT WASHER		01	01	01
87	0511031526	BAG WITH MANUAL		01	01	01
88	0501053834	MALE QUICK COUPLER		02	02	02
89	0501074276	TERMINAL CONNECTION		02	02	02
90	0551012528	ADAPTER (GND)		04	00	00
91	0909092632	COMPLETE DISC SECTION	9	20	22	24

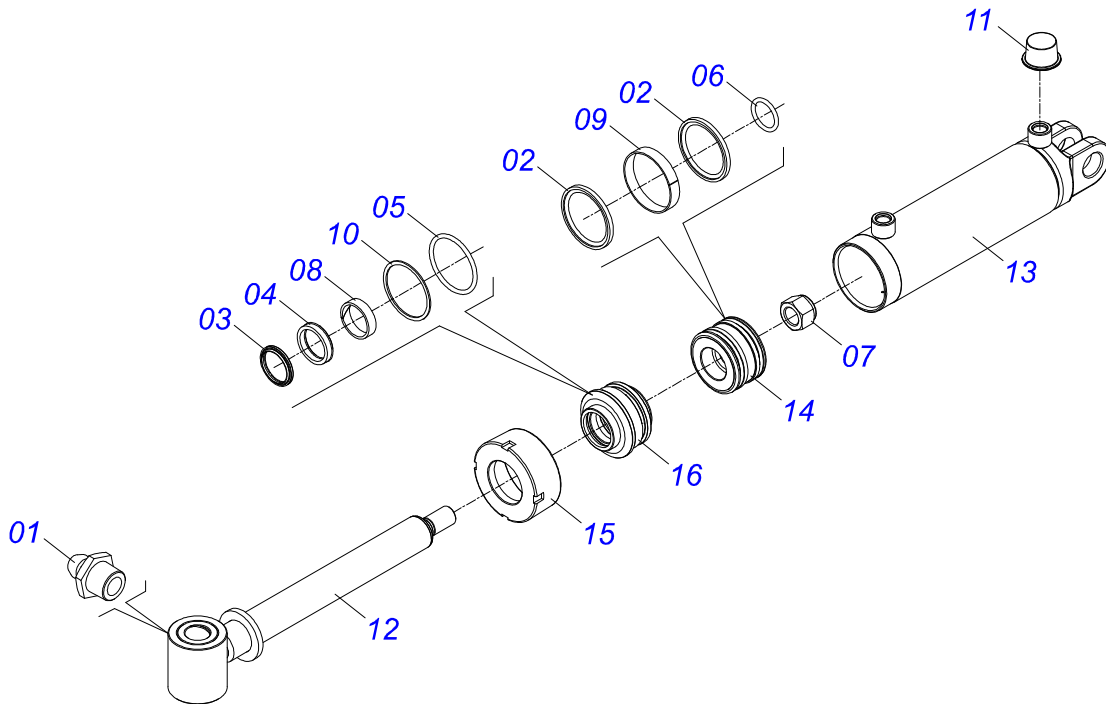


Item	Code	Description	See page	QT
01	0511060300	DRAWBAR		01
02	0521068888	TRACTOR HITCH BODY		01
03	0521013739	BOLT HARNESS		01
04	0501812916	FLAT WASHER		01
05	0503010067	3/16" X 2.1/2" COTTER PIN		01
06	0511060301	PLATE HITCH		01
07	0511060302	PLATE HITCH		01
08	0503012192	1-1/4" X 8 BOLT		04
09	0503012181	1.1/4" NUT		04
10	0503012258	1-1/2" X 9" BOLT		01
11	0501810110	1.1/2 NC 6FPP NUT		01
12	0503013627	1.1/2 SPRING WASHER		01
13	0511060146	PIN FIXER		01
14	0503031479	STAPLE		01
15	0502011592	CASTLE NUT		01

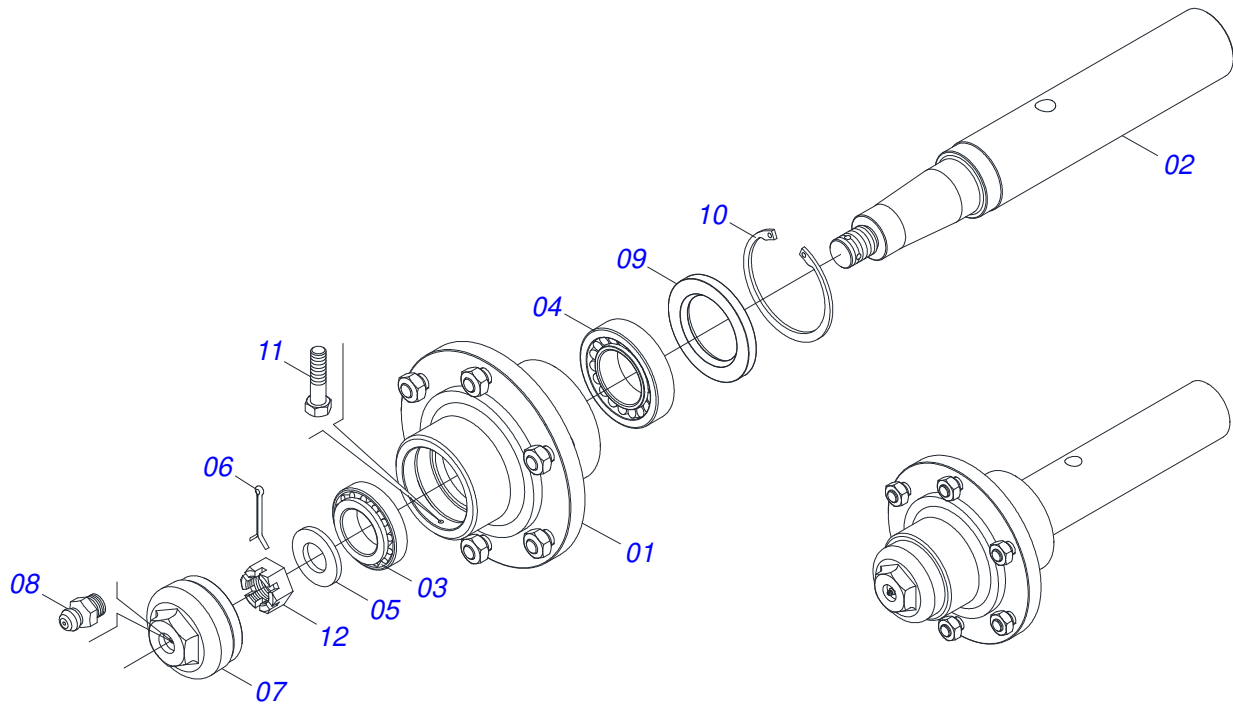


Item	Code	Description	See page	QT
01	0511062253	CYLINDER CASE		01
02	0511062249	53,98 X 609 TURNBUCKLE		01
03	0502010017	4" HEAD		01
04	0502011250	RING OF SUPPORT		01
05	0503010319	D-2125 SCRAPER		01
06	0503010314	GASKET		01
07	0503010973	W2-2500-500 PK O'RING G.E		01
08	0503011061	8-342 BACK-UP RING		01
09	0503010338	2-342 N 3006-9B O'RING		01
10	0503010345	2-218 N 3006-9B O'RING		01
11	0502011969	53,98 X 101,60 PISTON		01
12	0503010043	PACKING 3750-3250		02
13	0503010994	W2-4000-500 PK RING G.E		01
14	0503010817	1.1/4" SELF LOCKING NUT		01
15	0503010002	1800 GREASE FITTING		02
16	0503030384	CON PLUG N-001		02

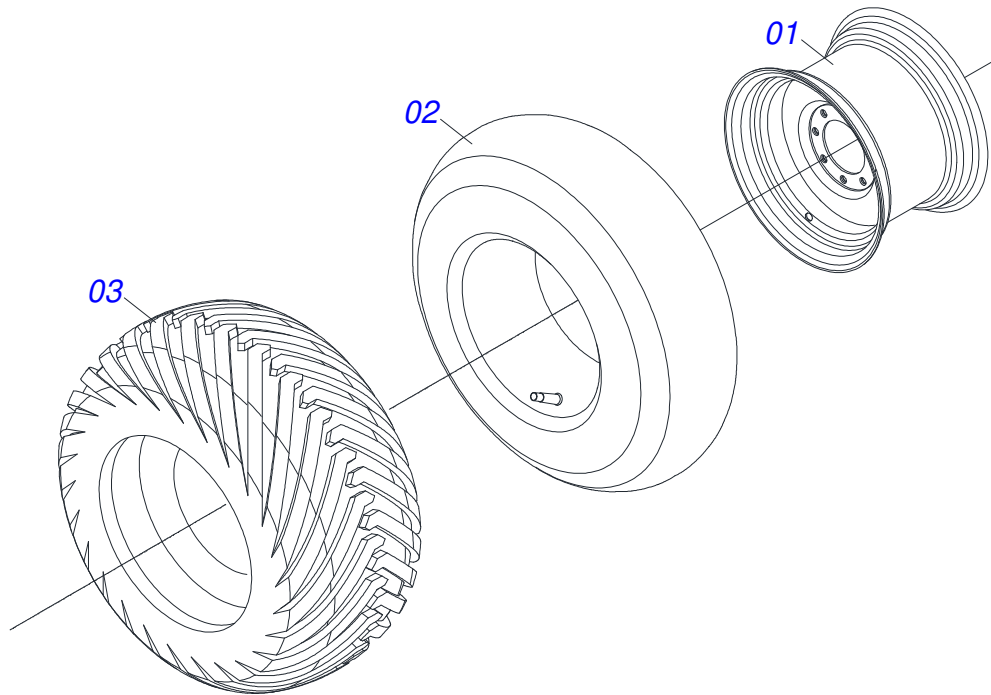




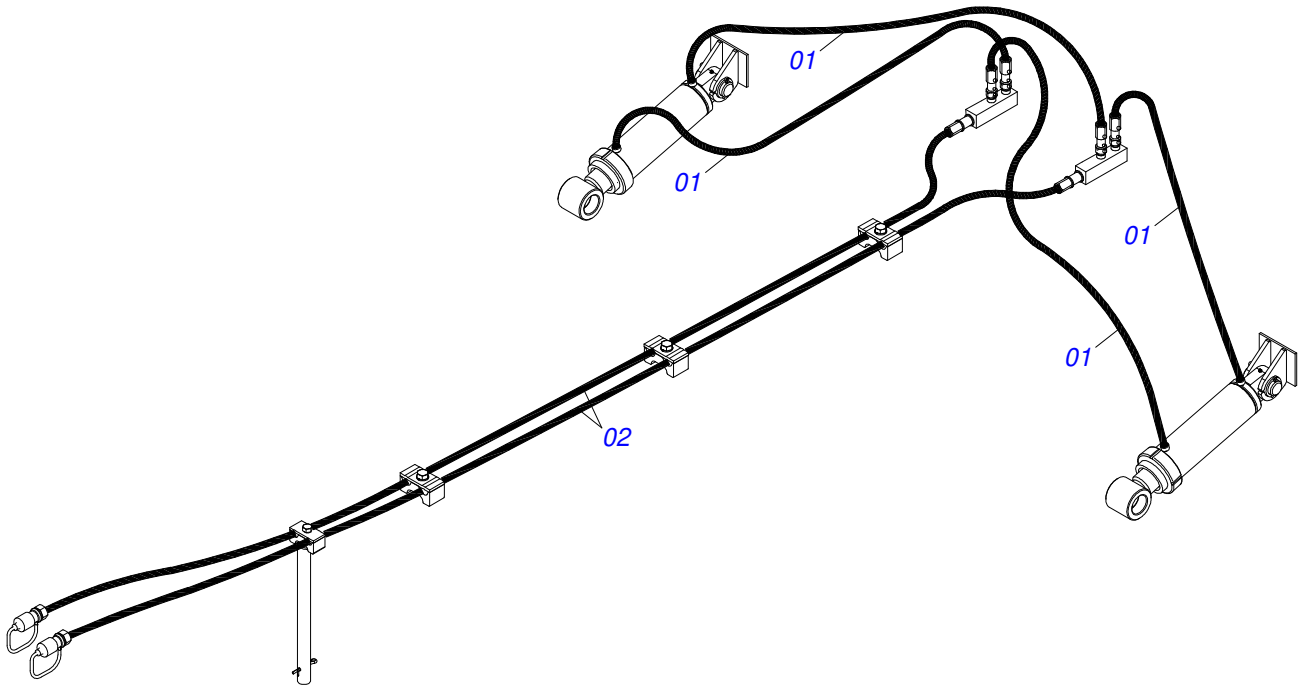
Item	Code	Description	See page	QT
01	0503010002	1800 GREASE FITTING		02
02	0503010043	PACKING 3750-3250		02
03	0503010314	GASKET		01
04	0503010319	D-2125 SCRAPER		01
05	0503010338	2-342 N 3006-9B O'RING		01
06	0503010345	2-218 N 3006-9B O'RING		01
07	0503010817	1.1/4" SELF LOCKING NUT		01
08	0503010973	W2-2500-500 PK O'RING G.E		01
09	0503010994	W2-4000-500 PK RING G.E		01
10	0503011061	8-342 BACK-UP RING		01
11	0503030384	CON PLUG N-001		02
12	0531062835	EXTENDER 53.98 X 609		01
13	0511062253	CYLINDER CASE		01
14	0502011969	53,98 X 101,60 PISTON		01
15	0502010017	4" HEAD		01
16	0502011250	RING OF SUPPORT		01



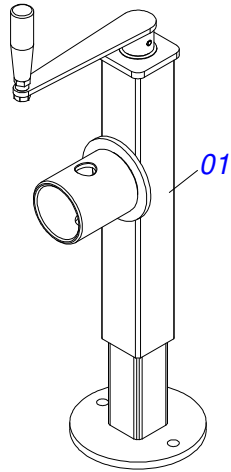
Item	Code	Description	See page	QT
01	0501110766	HUB CARRYING WHEELS WITH BOLT		01
02	0541014720	CR 7076205/1/1 AXLE		01
03	0503010006	32210 ROLLER BEARING		01
04	0503010005	32212 ROLLER BEARING		01
05	0501010086	FLAT WASHER		01
06	0503010067	3/16" X 2.1/2" COTTER PIN		01
07	0502011647	COVER		01
08	0503010691	1/4" GREASE FITTING		01
09	0503010009	RETAINER 00573-B		01
10	0503012723	502115 RENO RING		01
11	0503010298	1/4" X 1/2" BOLT		01
12	0503012457	UNF 1.1/4" CASTLE NUT		01



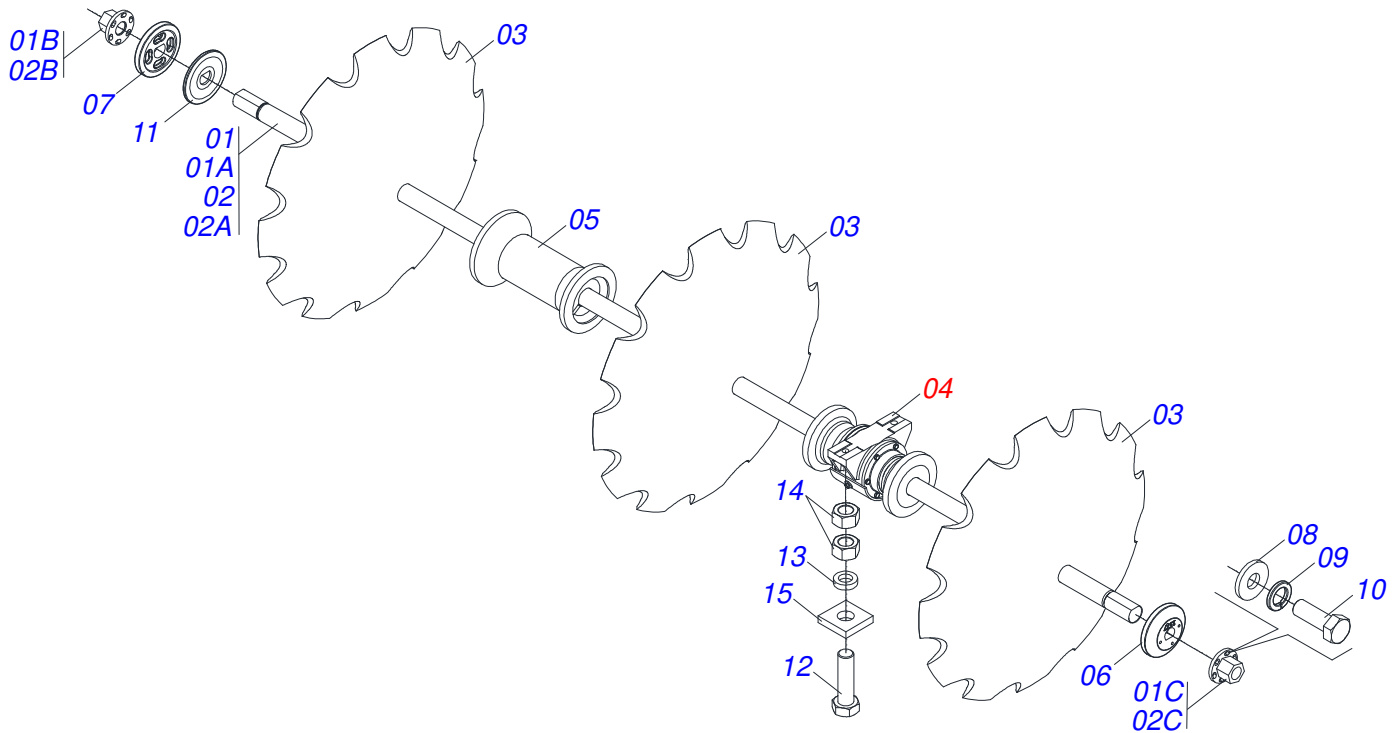
Item	Code	Description	See page	QT
01	0503012916	W-13 X 16,5 HOOP WHEEL		01
02	0503012112	400/60 - 15.5 TR 15 INNER TIRE		01
03	0503013119	CANVAS TIRE		01



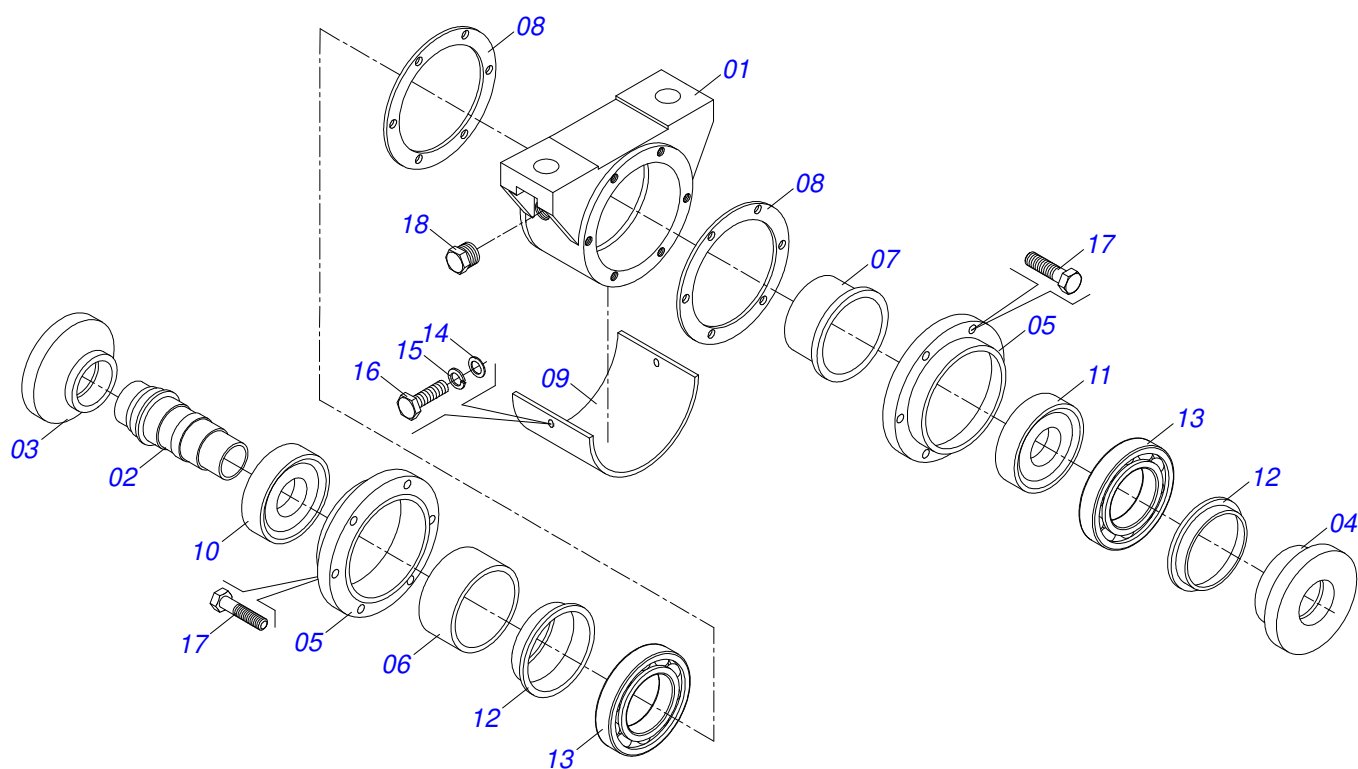
Item	Code	Description	See page	QT
01	0501080801	3/8 X 1100 TR-TM HOSE		04
02	0501080815	TM-TM HOSE ASSY		02



Item	Code	Description	See page	QT
01	0503062227	DRAWBAR JACK		01



Item	Code	Description	See page	20	22	24
01	0511050172	DISC AXLE 2" UNC X 1682 WITH NUT		04	02	00
01A	0521014510	DISC AXLE		04	02	00
01B	0502011580	RIGHT NUT		04	04	00
01C	0502011581	LEFT NUT		04	04	00
02	0511050245	DISC AXLE 2" UNC X 2044 WITH NUT		00	02	04
02A	0521014358	DISC AXLE		00	02	04
02B	0502011580	RIGHT NUT		00	02	04
02C	0502011581	LEFT NUT		00	02	04
03	0602044165	32" X 0.3" NOTCHED DISC BLADE		20	22	24
03.	0602046009	34 X 9 MM NOTCHED DISC		20	22	24
04	0501048557	BEARING OIL	10	08	08	08
05	0502011579	SPACER		08	10	12
06	0502011577	OUTER FLANGE		04	04	04
07	0502011578	INNER FLANGE		04	04	04
08	0501010937	13,50 X 28 X 3,00 FLAT WASHER		16	16	16
09	0503010019	1/2" SPRING WASHER		16	16	16
10	0503010834	1/2 X 1 BOLT		16	16	16
11	0521013670	CHUCK		08	08	08
12	0503010901	3/4UNC 3.1/2 BOLT		16	16	16
13	0521013710	WASHER SEMIMAN		16	16	16
14	0503012183	SNC 3/4" ZIN 1K03097 NUT		32	32	32
15	0521013709	REINFORCING WASHER		16	16	16



Item	Code	Description	See page	QT
01	0502011641	BEARIN BODY		01
02	0502011633	CENTER DEARIN		01
03	0502011630	WASHER CONCAVE		01
04	0502011631	WASHER CONVEX		01
05	0502011632	BEARING COVER		02
06	0502011827	SPACER		01
07	0502011629	SPACER		01
08	0503031502	JOINT BEARIN		02
09	0521013855	PLATE PROTECTION		01
10	0502011627	HOUSING RETAINE		01
11	0502011628	HOUSING RETAINE		01
12	0503012824	RETAINER		02
13	0503012285	32212 ROLLER BEARING		02
14	0501010984	10,50 X 27 X 3,00 FLAT WASHER		02
15	0503010025	3/8 SPRING WASHER		02
16	0503011334	BOLT 3/8 UNC X 3/4 CS G.5 ZN		02
17	0503010237	3/8" X 1" BOLT		12
18	0503010856	OIL PLUG		01







***civemasa***

**Technical Publications | Elaboration and Revision**

LORENA ROCHA ALVES

[www.civemasa.com.br](http://www.civemasa.com.br)

