

TERRACING PLOW

**TC 30EA
TC 30EA**

Code: 0501093039
Series: S-0914
Revision: 00
Revision Date: JULY/2021

PARTS CATALOGUE

CIVEMASA

A solid orange horizontal bar is positioned at the top left of the page, above the "PRODUCTS" heading.

PRODUCTS

Code	Working Width	Description	
0120140056		TC 30EA C/D 26X6,00	S-0914

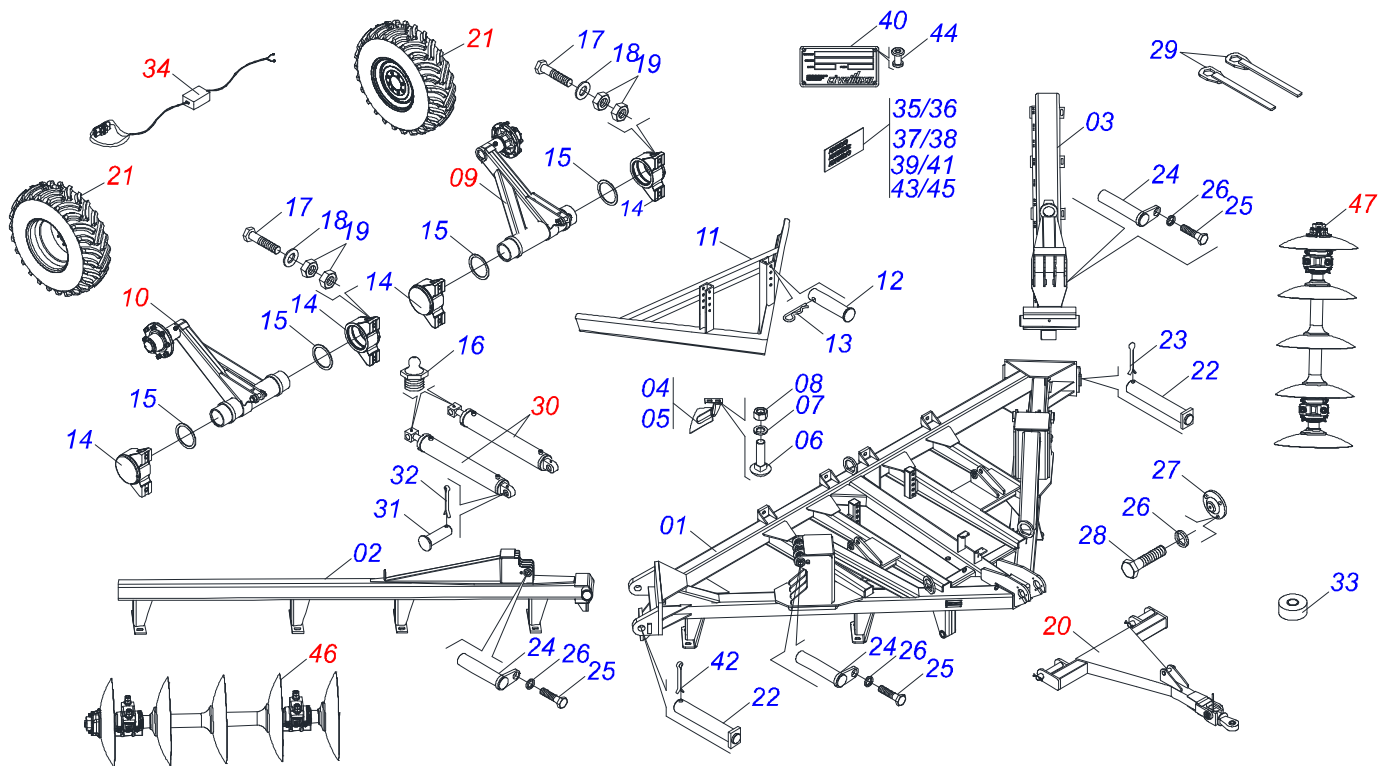
ATTENTION: IMPORTANT

CIVEMASA reserves the right to improve and/or modify the technical features of its products, without obligation to do the same with those products already sold and without prior knowledge of the dealer or the customer. The photos are only illustrative.



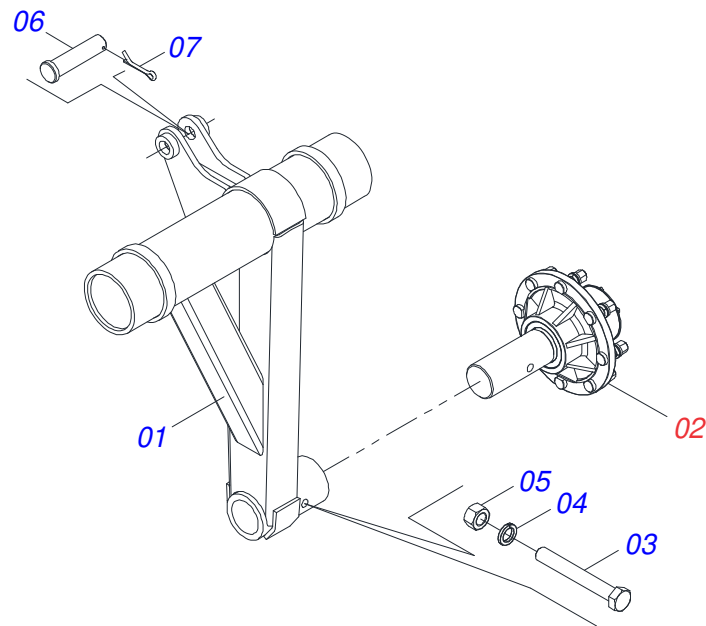
INDEX

0909095916	ASSY FRAME	1
0511052294	LEFT HUB AND SPINDLE	2
0511052295	RIGHT HUB AND SPINDLE	3
0501053910	JOINT CUBE OF THE WHEEL	4
0511050259	HARNES ASSY	5
0503061870	WHEEL AND TIRE ASSY	6
0909095917	HYDRAULIC CIRCUIT	7
0521050463	HYDRAULIC CYLINDER	8
0511041866	CH 4.40.50,8 TC-A 4102789 HYDRAULIC CILINDER	9
0511041865	HYDRAULIC CYLINDER CH 4.40.50,8A 4102751	10
0511056297	COMPLETE VALVE CONTROL PANEL	11
0909095918	GANG DISC FRONT	12
0909095919	GANG DISC REAR	13
0501048600	BEARING ASSY	14

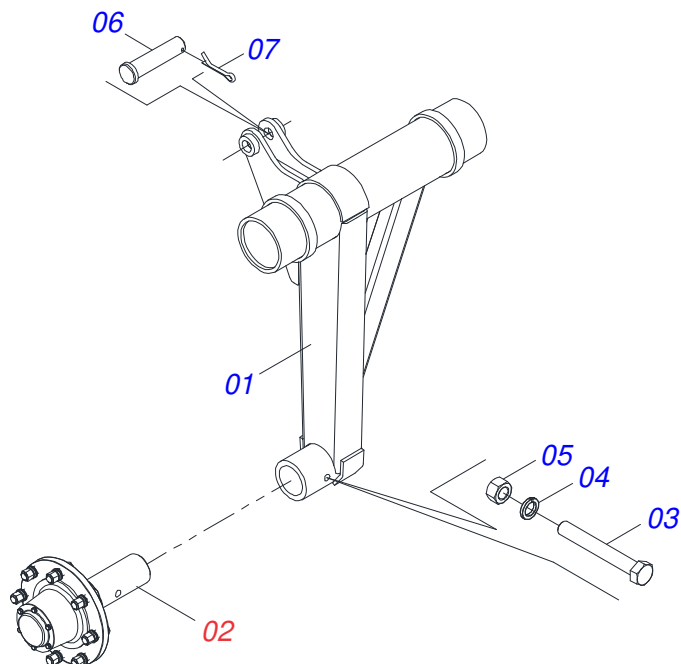


Item	Code	Description	See page	QT
01	0511064364	FRAME		01
02	0511064361	RIGHT REAR FRAME		01
03	0511064360	LEFT REAR FRAME		01
04	0521064930	RIGHT CLEANER SUPPORT		15
05	0521064931	LEFT CLEANER SUPPOFRT		15
06	0503019588	BOLT		60
07	0503010019	1/2" SPRING WASHER		60
08	0503012682	1/2" BSW NUT		60
09	0511052294	LEFT HUB AND SPINDLE	2	01
10	0511052295	RIGHT HUB AND SPINDLE	3	01
11	0511064092	SET SLIDE		01
12	0521017413	PIN WITH HEAD PN-357		04
13	0503031470	TM 251 X 4,0 STAPLE		04
14	0502011588	AXLE WHEEL BEARING		04
15	0503012222	FELT RING		04
16	0503010002	1800 GREASE FITTING		22
17	0503013310	7/8 UNC X 4 C S G.5 ZN BOLT		08
18	0521016290	STRENGTHENING GVC 30405		08
19	0503010417	7/8" NUT		16
20	0511050259	HARNES ASSY	5	01
21	0503061870	WHEEL AND TIRE ASSY	6	02
22	0511064103	PIN ARTICULATION		02
23	0503010073	3/8" X 3.1/2" SPLIT PIN		02
24	0511064354	LOCK PIN		08
25	0501010155	1/2" X 1" BOLT		08
26	0503010019	1/2" SPRING WASHER		14
27	0531017855	FIXER FLANGE		02
28	0503010920	1/2 UNC X 1.1/2 C S G.5 ZN BOLT		06
29	0501011431	1-3/4" GANG BOLT WRENCH		02
30		HYDRAULIC CIRCUIT	7	

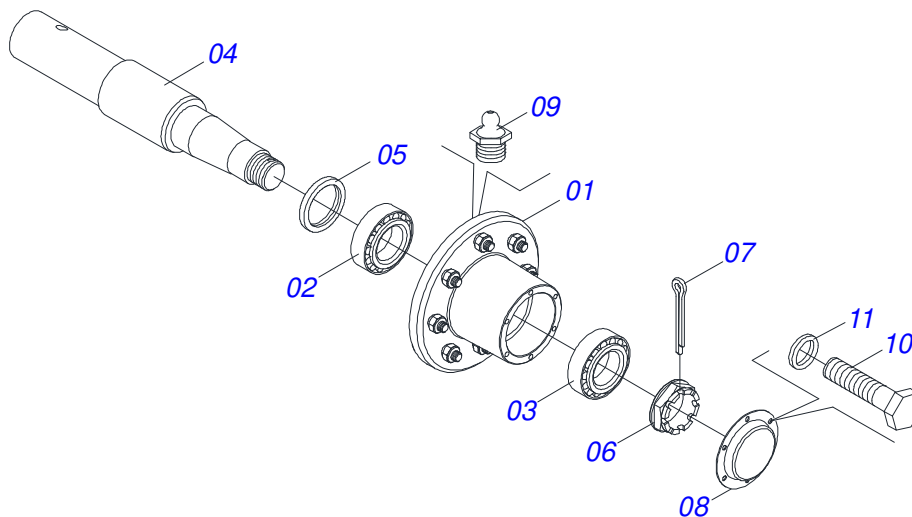
Item	Code	Description	See page	QT
31	0541010100	PIN		02
32	0503010010	SPLIT PIN 1/4" X 2.1/2"		02
33	0503013171	SEALING 1/2" X 10M 1J51066		02
34	0511056297	COMPLETE VALVE CONTROL PANEL	11	01
35	0503031896	DANGER DECAL		02
36	0503031428	READ MANUAL DECAL		01
37	0503033038	DANGER DECAL		02
38	0503031738	WARNING DECAL		02
39	0503033474	BADGE		02
40	0503034004	ALUMINUM IDENTIFICATION DECAL		01
41	0503033647	APPROVED DECAL		01
42	0503010073	3/8" X 3.1/2" SPLIT PIN		02
43	0503033241	CIVEMASA 100 X 400 BADGE		02
44	0503010001	RIVET 3,2 X 5,5		04
45	0503031739	DANGER DECAL		01
46		GANG DISC FRONT	12	
47		GANG DISC REAR	13	



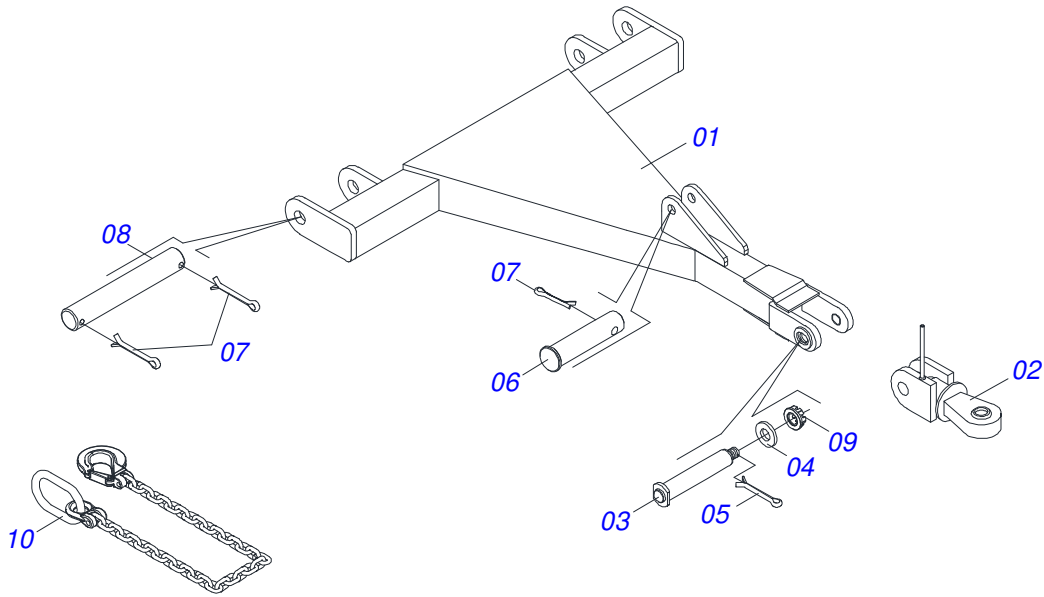
Item	Code	Description	See page	QT
01	0511064355	LEFT WHEEL AXLE		01
02	0501053910	JOINT CUBE OF THE WHEEL	4	01
03	0503013185	BOLT 3/4" UNC X 5.1/2 C S G.7 ZN		01
04	0503010023	3/4" SPRING WASHER		01
05	0503012183	SNC 3/4" ZIN 1K03097 NUT		01
06	0541010099	PIN TC 300104		01
07	0503010010	SPLIT PIN 1/4" X 2.1/2"		01



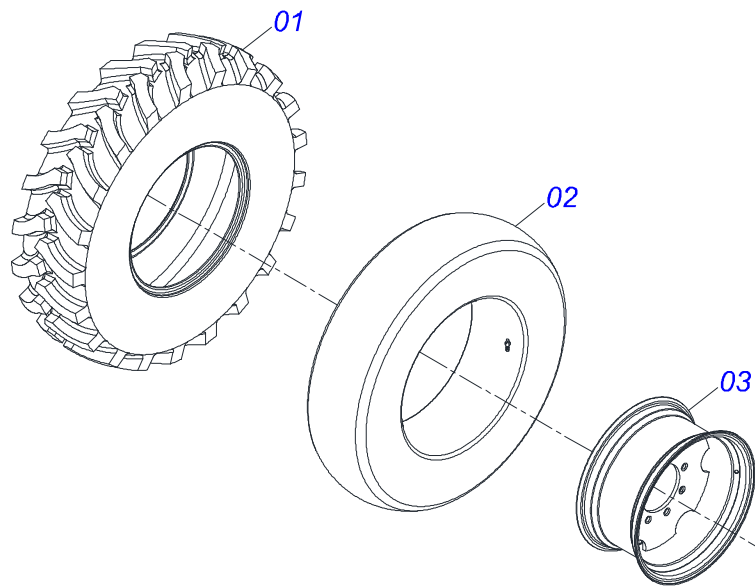
Item	Code	Description	See page	QT
01	0511064357	RIGHT WHEEL AXLE		01
02	0501053910	JOINT CUBE OF THE WHEEL	4	01
03	0503013185	BOLT 3/4" UNC X 5.1/2 C S G.7 ZN		01
04	0503010023	3/4" SPRING WASHER		01
05	0503012183	SNC 3/4" ZIN 1K03097 NUT		01
06	0541010099	PIN TC 300104		01
07	0503010010	SPLIT PIN 1/4" X 2.1/2"		01



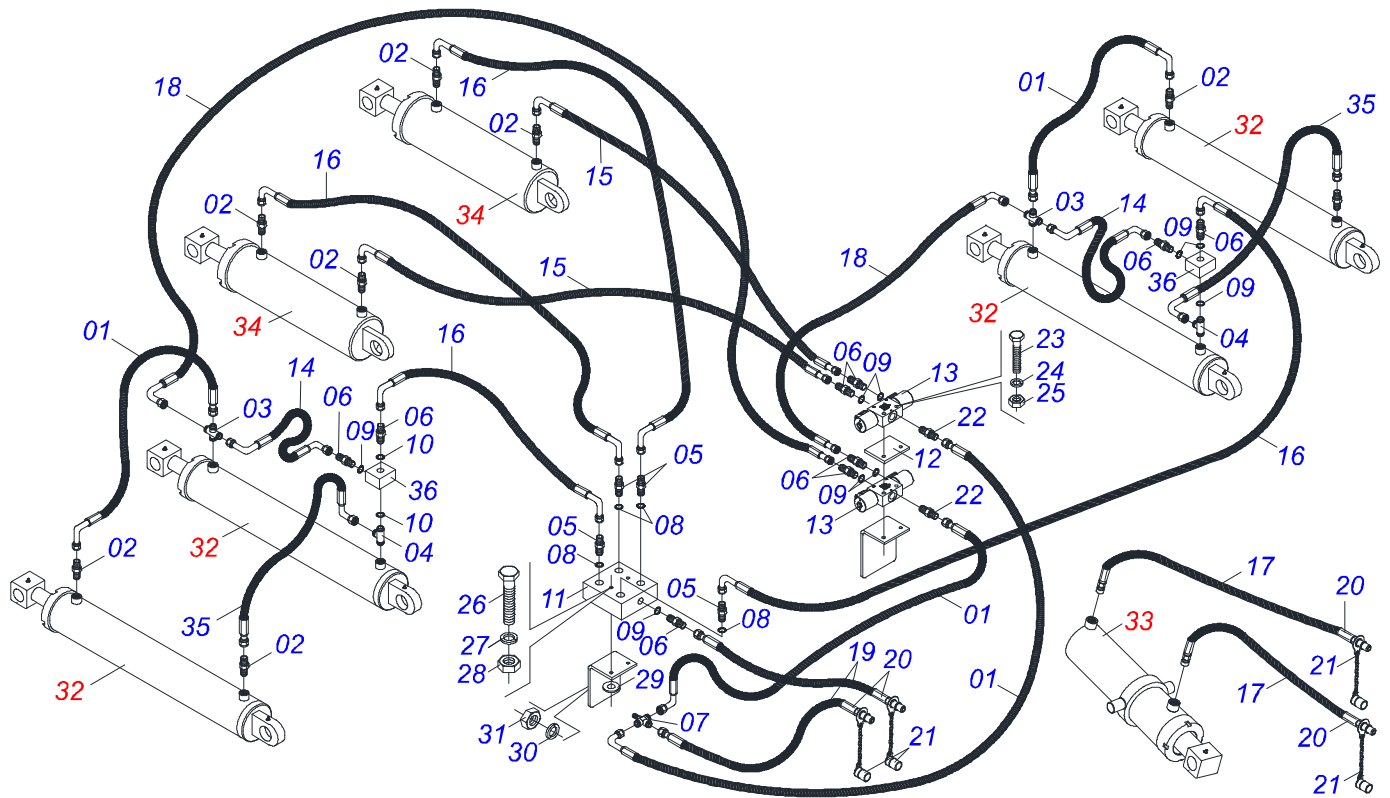
Item	Code	Description	See page	QT
01	0501110735	HUB CARRYING WHEELS WITH BOLT		01
02	0503010059	33287/33462 ROLLER BEARING		01
03	0503010007	3982/3920 ROLLER BEARING		01
04	0531018299	POINT AXIS Ø 88,8 X 412		01
05	0503010050	SEAL 00085-B		01
06	0502040080	FLANGE NUT R.2.1/2" UN		01
07	0503011345	1/4" X 3.1/2" SPLIT PIN		01
08	0541013225	WHEEL HUB LID		01
09	0503010002	1800 GREASE FITTING		01
10	0503010240	BOLT		06
11	0503011444	SPRING WASHER 5/16"		06



Item	Code	Description	See page	QT
01	0511064913	DRAWBAR		01
02	0511063677	HOOK HITCH		01
03	0511064915	ASSEMBLY BOLT		01
04	0501012916	FLAT WASHER 40 X 66 X 4,75 ZN		01
05	0503012213	1/4" X 4" SPLIT PIN		01
06	0541010100	PIN		01
07	0503010010	SPLIT PIN 1/4" X 2.1/2"		01
08	0541010097	PIN TC 200413		02
09	0502011592	CASTLE NUT		01
10	0503013150	1300 X 3/8" CHAIN		01

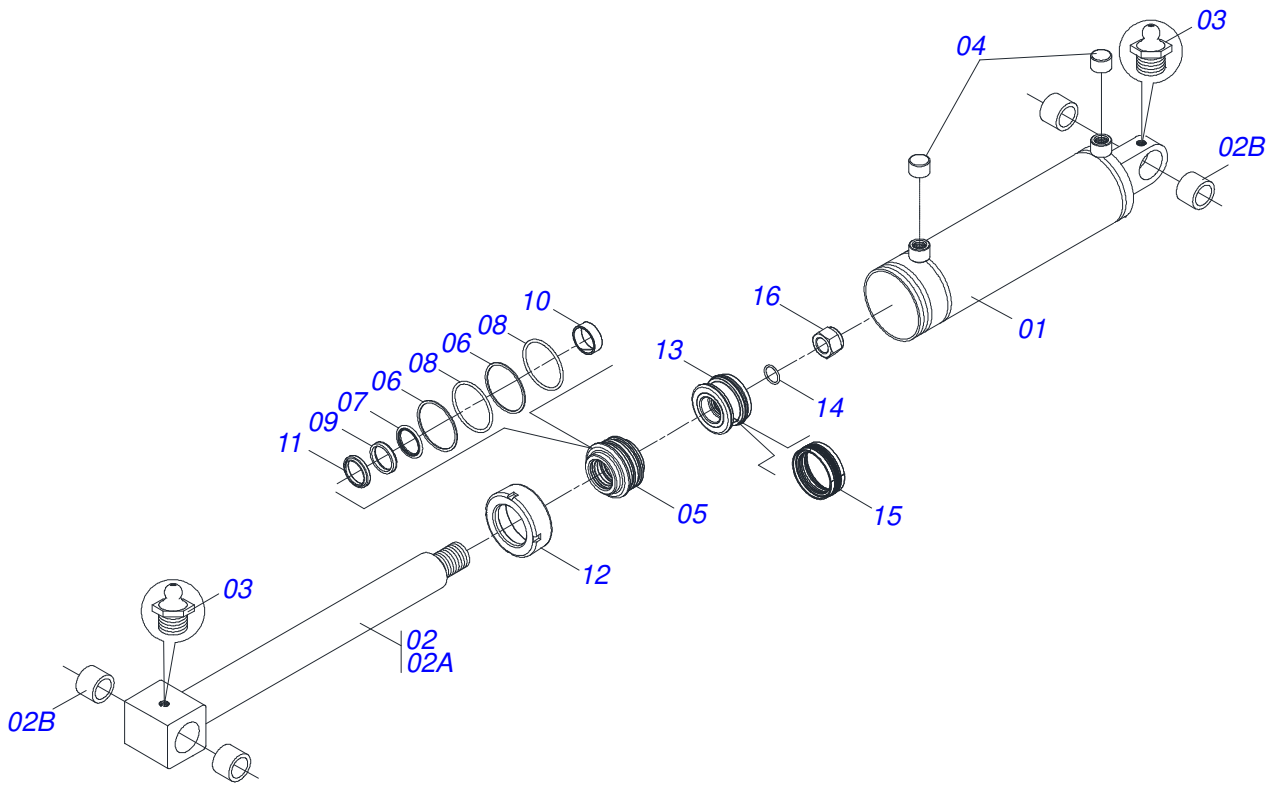


Item	Code	Description	See page	QT
01	0503012695	TIRE		01
02	0503012519	INNER TIRE		01
03	0511064114	WHEEL ASSEMBLY		01

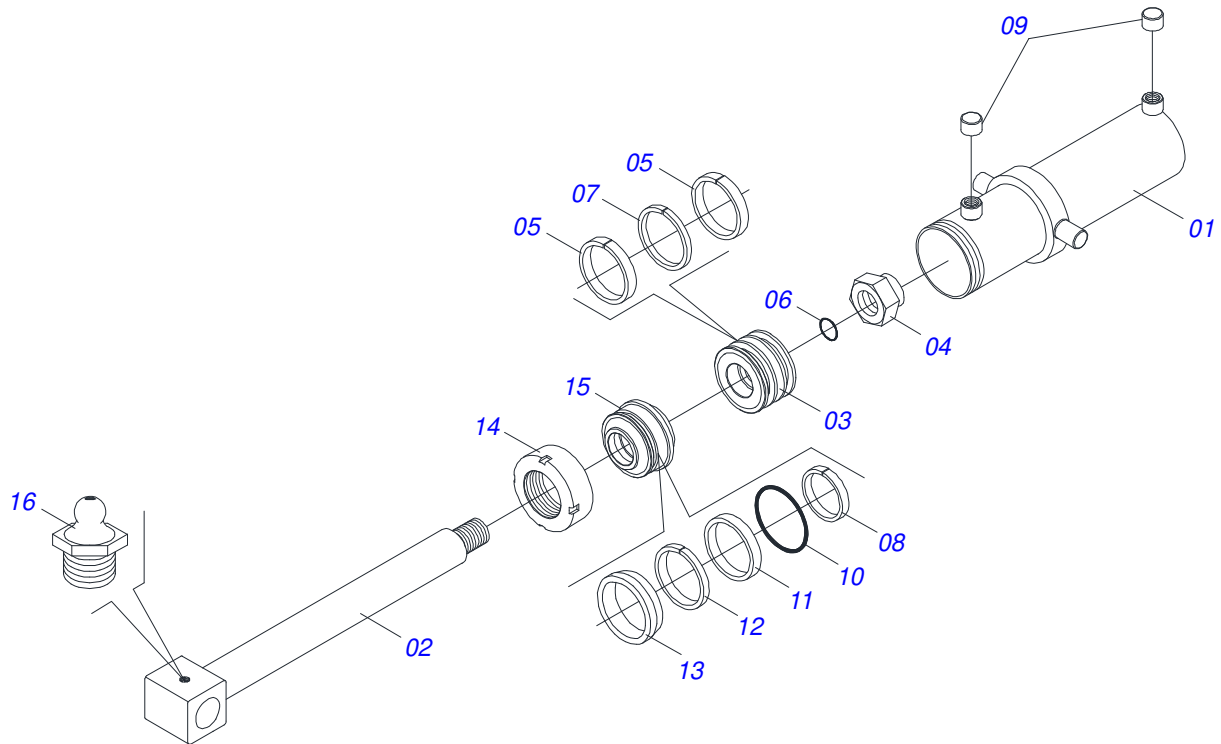


Item	Code	Description	See page	QT
01	0501080113	1/2 X600 HOSE TR-TC		04
02	0511014065	7/8" NF X R1/2NPT X 52 NIPPLE		08
03	0521069951	TERMINAL CONNECTION		02
04	0521069974	CONNECTION ADAPTER		02
05	0531013708	7/8 UNF X R 9/16 UNF X 45 NIPPLE		02
06	0501011460	7/8 NF REDUCTION NIPPLE		09
07	0511064358	TERMINAL CONNECTION		01
08	0503013161	2-013 N 3006-9B O'RING		04
09	0503012905	2113 O'RING		09
10	0503010045	O'RING		02
11	0521069800	DISTRIBUTOR		01
12	0541011753	SEPARATOR PLATE		01
13	0503062305	BLOCK COMMAND		02
14	0501080858	1/2" X 35" HOSE ASSY		02
15	0501080093	1/2 X 1300 HOSE TR-TC		02
16	0501080627	HOSE 1/2 X 1800 TC-TC		04
17	0501080851	1/2 X 2500 HOSE TM-TM		02
18	0501080272	1/2" X 106" TR-TC HOSE		02
19	0501080167	1/2" X 3000 TR-TM HOSE		02
20	0503011627	MALE QUICK COUPLER AGR 1/2 NPT		04
21	0503011882	MALE QUICK COUPLER CAP		04
22	0501010590	NIPPLE		02
23	0503011123	BOLT		02
24	0503010025	3/8 SPRING WASHER		02
25	0503010026	3/8" NUT		02
26	0503010373	SCREW 1/4 UNC X 2 CS G.2 ZN		02
27	0503010143	1/4" SPRING WASHER		02
28	0503010144	1/4" NUT		02
29	0501010937	13,50 X 28 X 3,00 FLAT WASHER		01
30	0503010019	1/2" SPRING WASHER		01

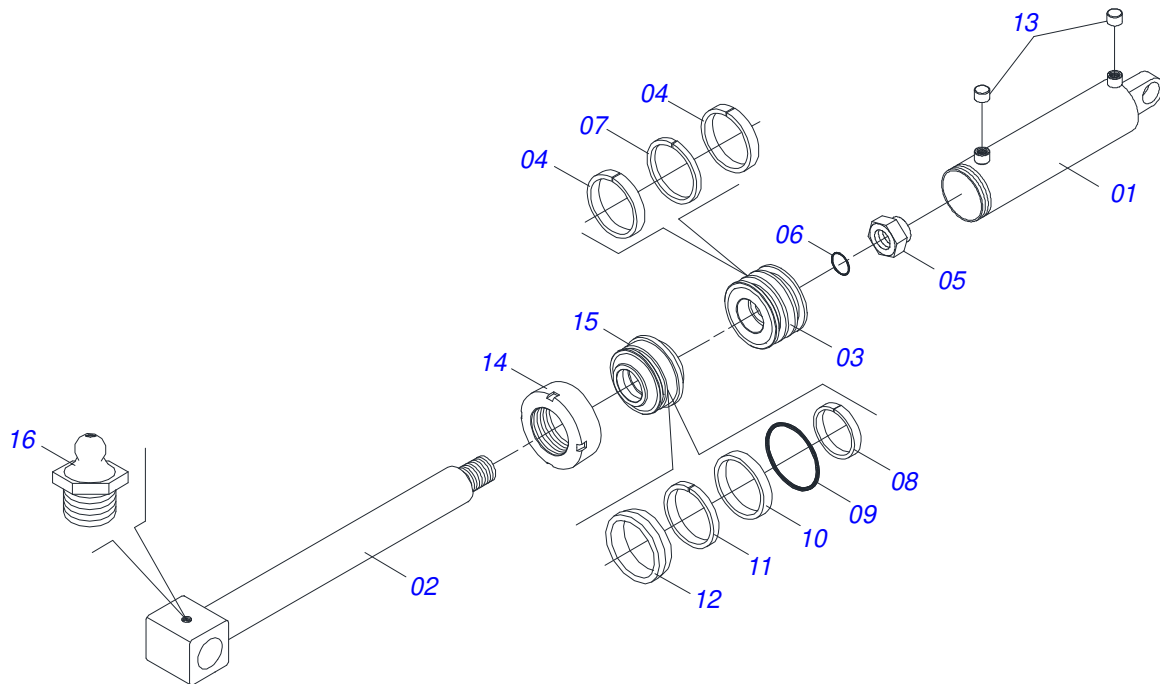
Item	Code	Description	See page	QT
31	0503010060	1/2 UNC G.5 ZN HEX NUT		01
32	0521050463	HYDRAULIC CYLINDER	8	04
33	0511041866	CH 4.40.50,8 TC-A 4102789 HYDRAULIC CILINDER	9	01
34	0511041865	HYDRAULIC CYLINDER CH 4.40.50,8A 4102751	10	02
35	0501082057	HOSE		04
36	0503012502	HYDRAULIC VALVE RETAINING		02



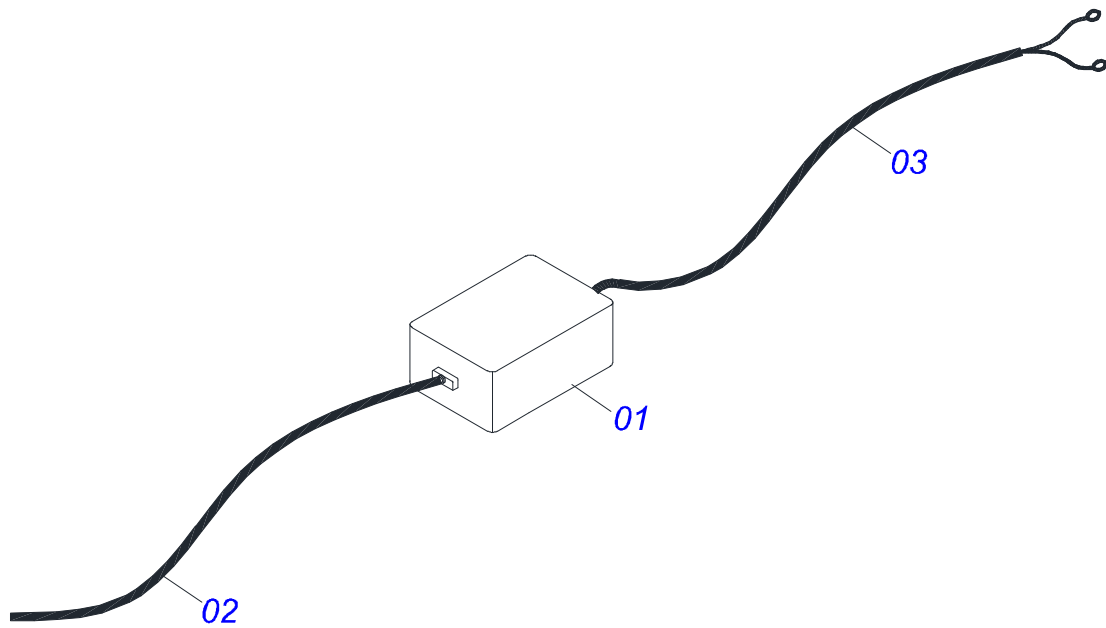
Item	Code	Description	See page	QT
01	0511064362	CYLINDER CASE		01
02	0511064363	ROD ASSEMBLY		01
02A	0531017897	TURNBUCLE		01
02B	0501110360	SLEEVE		01
03	0503010002	1800 GREASE FITTING		02
04	0503030384	CON PLUG N-001		02
05	0502012821	2" X 4" RING SUPPORT		01
06	0503011061	8-342 BACK-UP RING		02
07	0503018024	RING BS OD050805200171D-BR		01
08	0503010338	2-342 N 3006-9B O'RING		02
09	0503018026	GASKET 1870-2000-375 B POLYMAX		01
10	0503018025	RING GUIDE W2-2250-750		01
11	0503010039	D-2000 SCRAPER RING		01
12	0502012822	END CAP 4"		01
13	0502012842	50,80 X 101,60 PISTON		01
14	0503018029	O'RING 2-217 N 3006 90B		01
15	0503015633	SELEMASTER SEALING		01
16	0503010817	SELF LOCKING NUT 1.1/4 UNF ALTA G.5 ZN		01



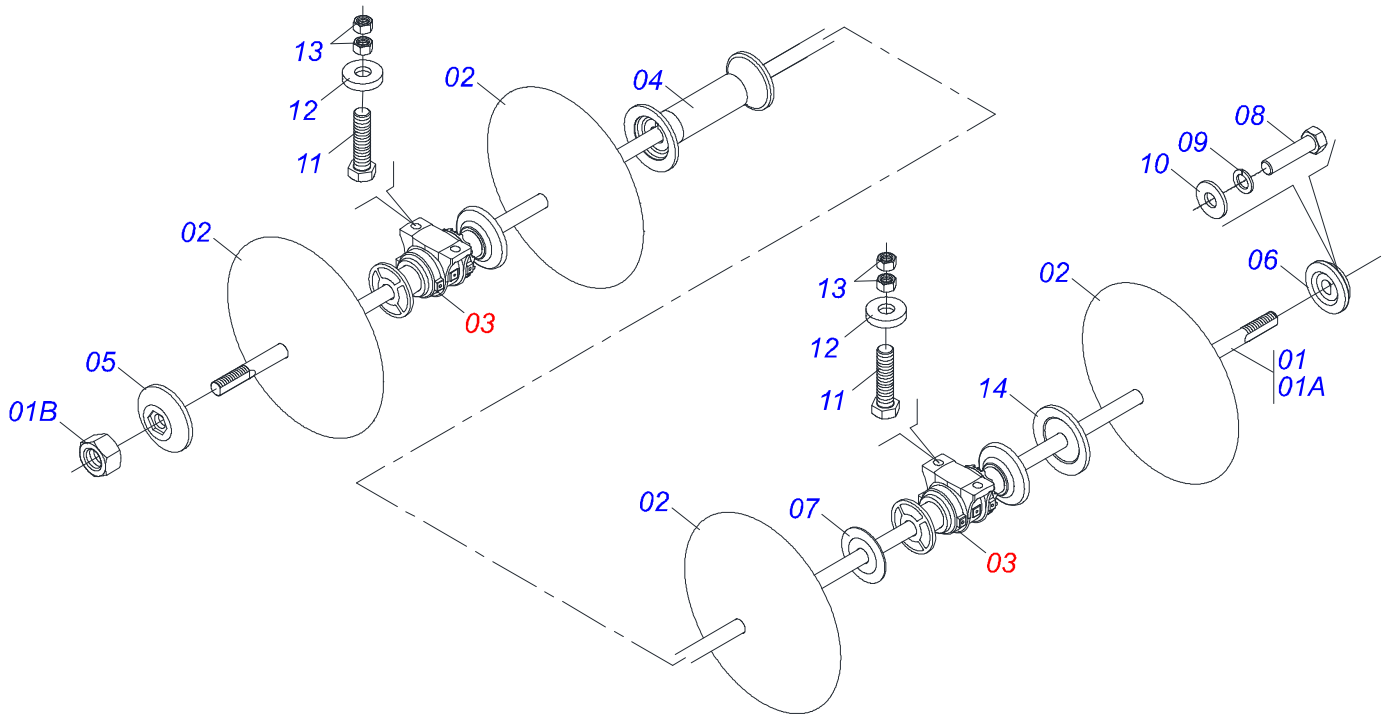
Item	Code	Description	See page	QT
01	0511064365	CYLINDER CASE		01
02	0511064911	ROD ASSEMBLY		01
03	0502010992	2.0" X 4.0" PISTON		01
04	0503010817	SELF LOCKING NUT 1.1/4 UNF ALTA G.5 ZN		01
05	0503010043	PACKING 3750-3250		02
06	0503010345	2-218 N 3006-9B O'RING		01
07	0503010994	W2-4000-500 PK RING G.E		01
08	0503010952	W2-2250-500 RING		01
09	0503030384	CON PLUG N-001		02
10	0503010338	2-342 N 3006-9B O'RING		01
11	0503011061	8-342 BACK-UP RING		01
12	0503010991	1870-2000-375-B GASKET		01
13	0503010039	D-2000 SCRAPER RING		01
14	0502010017	4" LID		01
15	0502010778	2" X 4.2" RING SUPPORT		01
16	0503010002	1800 GREASE FITTING		01



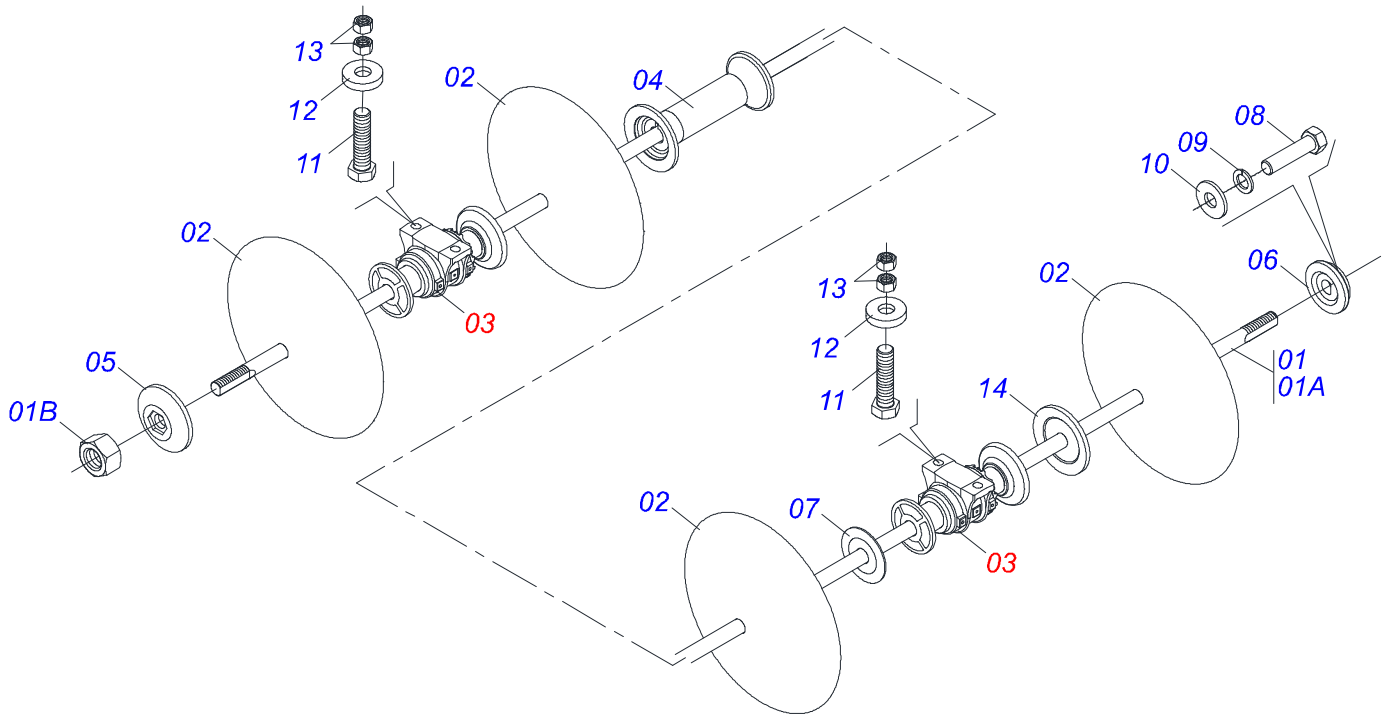
Item	Code	Description	See page	QT
01	0511064912	CYLINDER CASE		01
02	0511064911	ROD ASSEMBLY		01
03	0502010992	2.0" X 4.0" PISTON		01
04	0503010043	PACKING 3750-3250		02
05	0503010817	SELF LOCKING NUT 1.1/4 UNF ALTA G.5 ZN		01
06	0503010345	2-218 N 3006-9B O'RING		01
07	0503010994	W2-4000-500 PK RING G.E		01
08	0503010952	W2-2250-500 RING		01
09	0503010338	2-342 N 3006-9B O'RING		01
10	0503011061	8-342 BACK-UP RING		01
11	0503010991	1870-2000-375-B GASKET		01
12	0503010039	D-2000 SCRAPER RING		01
13	0503030384	CON PLUG N-001		02
14	0502010017	4" LID		01
15	0502010778	2" X 4.2" RING SUPPORT		01
16	0503010002	1800 GREASE FITTING		01



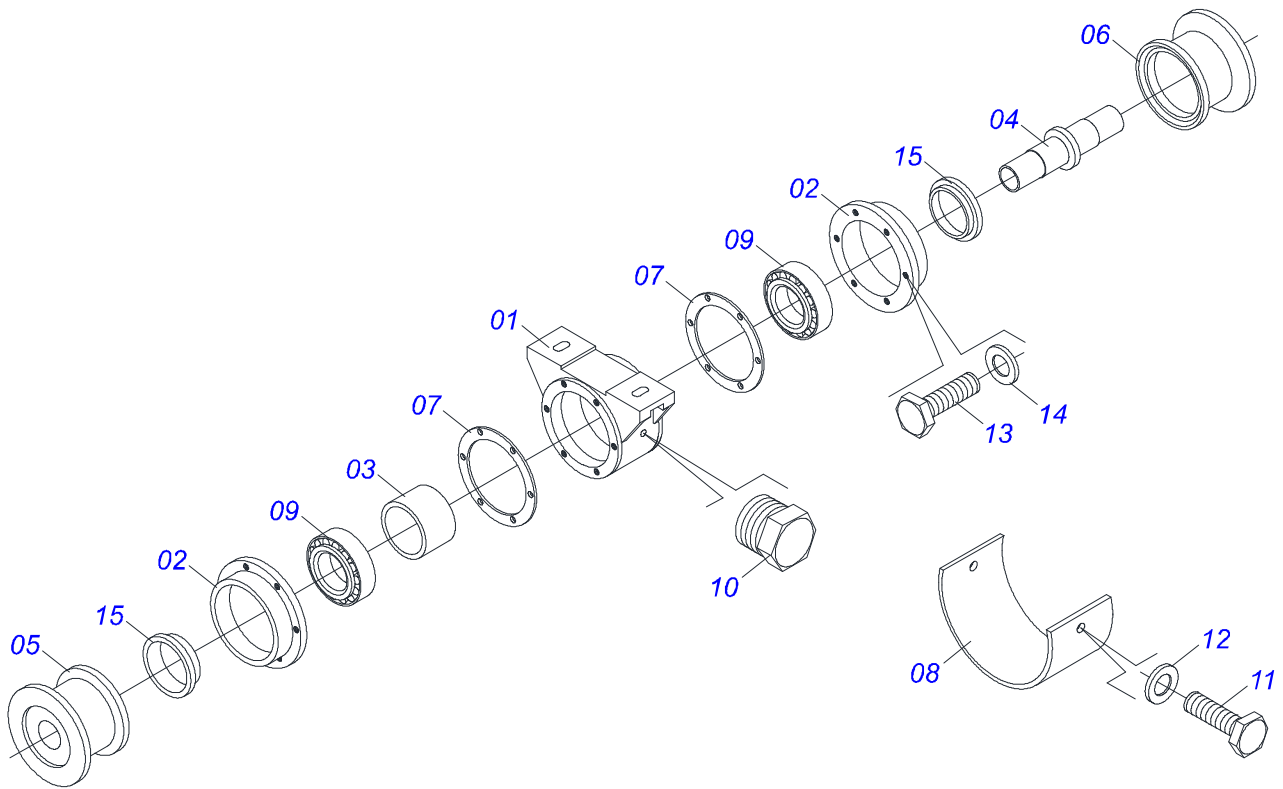
Item	Code	Description	See page	QT
01	0503017514	CONTROL PANEL		01
02	0503017515	WHIP (VALVE)		01
03	0503017516	WHIP (BATTERY)		01



Item	Code	Description	See page	QT
01	0511050255	DISC SHAFT WITH NUT		02
01A	0511060790	EJE DISC 1.3/4 X 1995		01
01B	0502011574	RIGHT NUT		01
02	0601034054	26" X 0.2" PLAIN DISC BLADE		10
03	0501048600	BEARING ASSY	14	04
04	0502011603	SPACER		04
05	0502011605	OUTER FLANGE		02
06	0502011572	BEARING INNER FLANGE		02
07	0521013672	GVC 27900 CHOCK		04
08	0503010834	1/2 X 1 BOLT		04
09	0501010937	13,50 X 28 X 3,00 FLAT WASHER		04
10	0503010019	1/2" SPRING WASHER		04
11	0503010901	3/4UNC 3.1/2 BOLT		08
12	0521013710	WASHER SEMIMAN		08
13	0503012183	SNC 3/4" ZIN 1K03097 NUT		16
14	0502011604	OUTER SPACER		04



Item	Code	Description	See page	QT
01	0511050255	DISC SHAFT WITH NUT		02
01A	0511060790	EJE DISC 1.3/4 X 1995		01
01B	0502011574	RIGHT NUT		01
02	0601034054	26" X 0.2" PLAIN DISC BLADE		10
03	0501048600	BEARING ASSY	14	04
04	0502011603	SPACER		04
05	0502011605	OUTER FLANGE		02
06	0502011572	BEARING INNER FLANGE		02
07	0521013672	GVC 27900 CHOCK		04
08	0503010834	1/2 X 1 BOLT		04
09	0501010937	13,50 X 28 X 3,00 FLAT WASHER		04
10	0503010019	1/2" SPRING WASHER		04
11	0503010901	3/4UNC 3.1/2 BOLT		08
12	0521013710	WASHER SEMIMAN		08
13	0503012183	SNC 3/4" ZIN 1K03097 NUT		16
14	0502011604	OUTER SPACER		04



Item	Code	Description	See page	QT
01	0502012011	BUCKING BEARING BIG		01
02	0502020643	BEARING COVER		02
03	0502020644	SPACER		01
04	0541019030	CENTER BEARING		01
05	0502011618	WASHER CONCAVE		01
06	0502011619	WASHER CONVEX		01
07	0503031500	JOINT BEARING		02
08	0521013855	PLATE PROTECTION		01
09	0503012283	ROLLER BEARING		02
10	0503010856	OIL PLUG R 3/8 BSPT		01
11	0503011334	BOLT 3/8" UNC X 3/4" CS G.5 ZN		02
12	0501010984	10,50 X 27 X 3,00 FLAT WASHER		02
13	0503010237	3/8" X 1" BOLT		12
14	0503011443	SPRING WASHER 3/8"		12
15	0503012525	SEAL		02



civemasa

Technical Publications | Elaboration and Revision

ALESSANDRA PATRICIA KAWAHARA CARRILI

www.civemasa.com.br

