

DISK HARROWS

GDFM 52/56D

Code: 0501093018

Series: S-1101

Revision: 00

Revision Date: MAIO/2021

PARTS CATALOGUE


CIVEMASA

PRODUCTS

Code	Description
0120660089	GDFM 52 X 22 X 4,50 DM S-1101
0120660162	GDFM 56 X 22 X 4,50 DM S-1101
0120660161	GDFM 56 X 22 X 4,50X3,50 DM S-1101

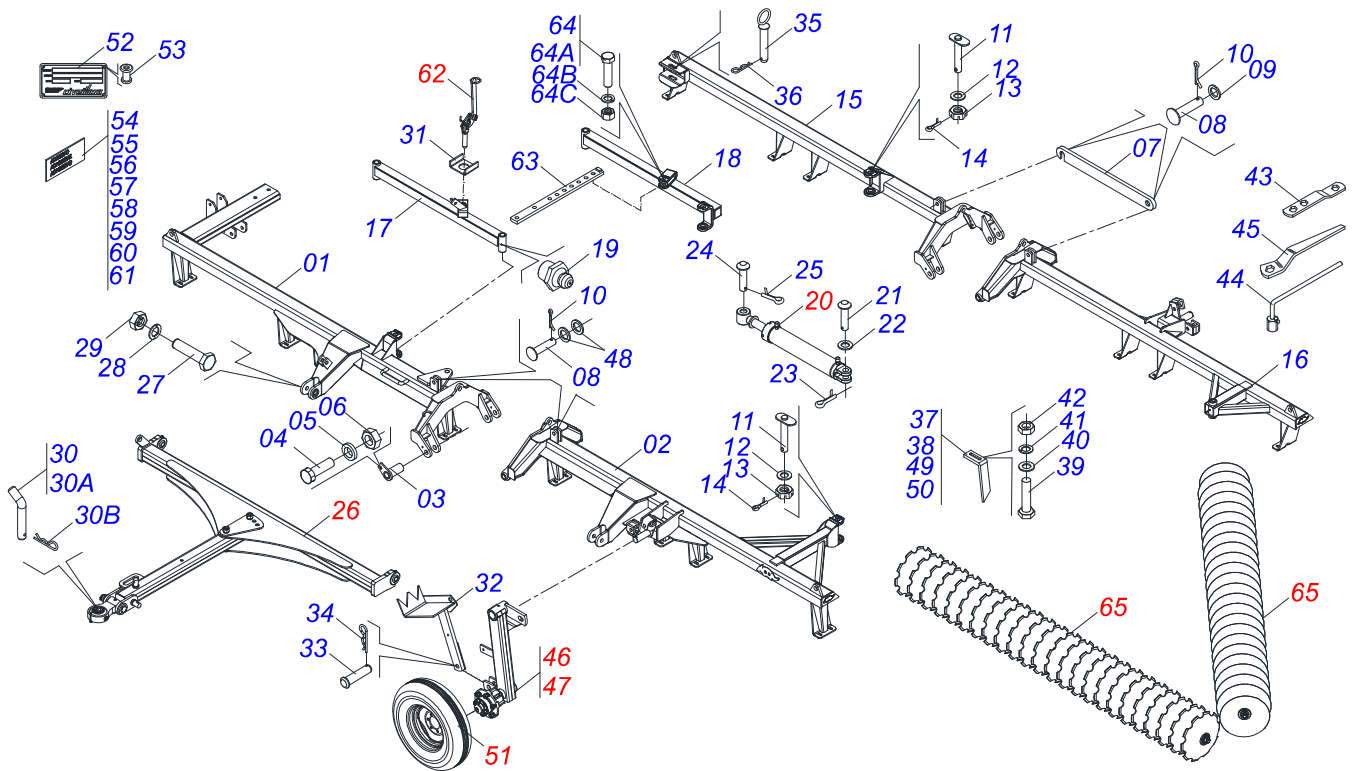
ATTENTION: IMPORTANT

Civemasa reserves the right to improve and / or modify the technical features of its products, without obligation to do the same with those products already sold and without prior knowledge of the dealer or the consumer.



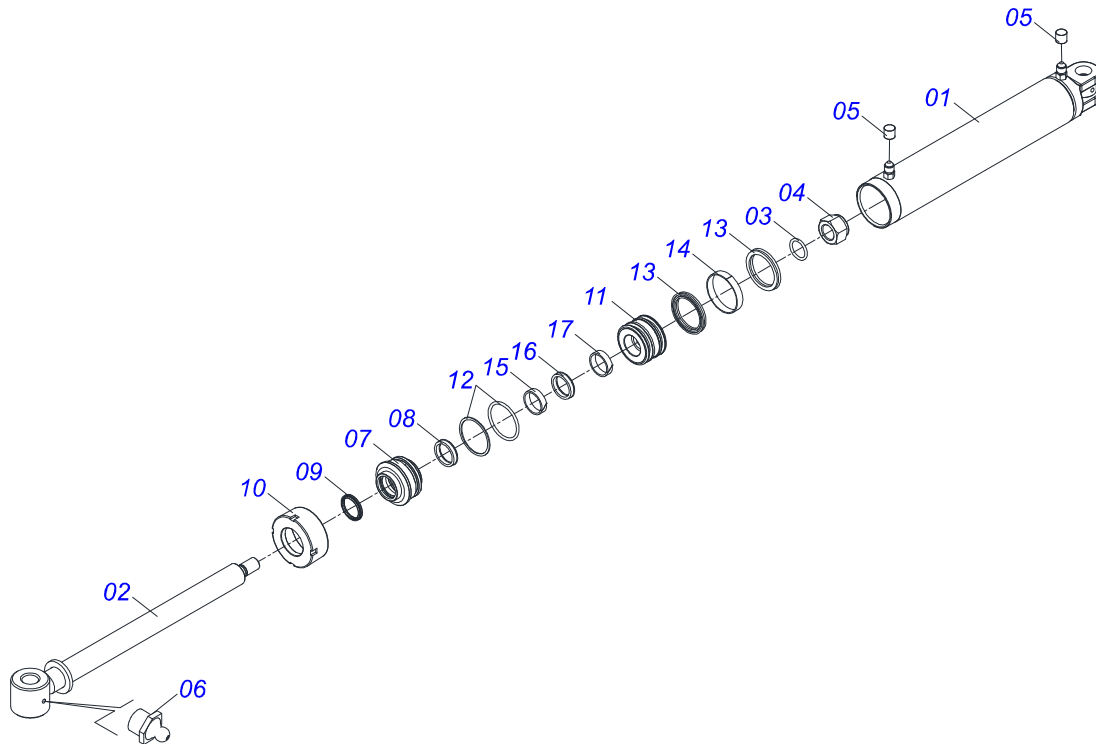
INDEX

0909091985	ASSY FRAME - 52/56D	1
0511058459	HYDRAULIC CYLINDER	2
0511042712	DRAWBAR ASSY	3
0501051638	LEFT STUB SHAFT & HUB ASSY	4
0501051637	RIGHT STUB SHAFT & HUB ASSY	5
0501051142	CARRYING WHEEL HUB	6
0503060094	WHEEL AND TIRE ASSY	7
0501047858	ADJUSTMENT LEVER ASSY	8
0909095766	GANG DISC - 52/56D	9
0501046922	7.5" X 1-1/4" OIL BATH BEARING	10

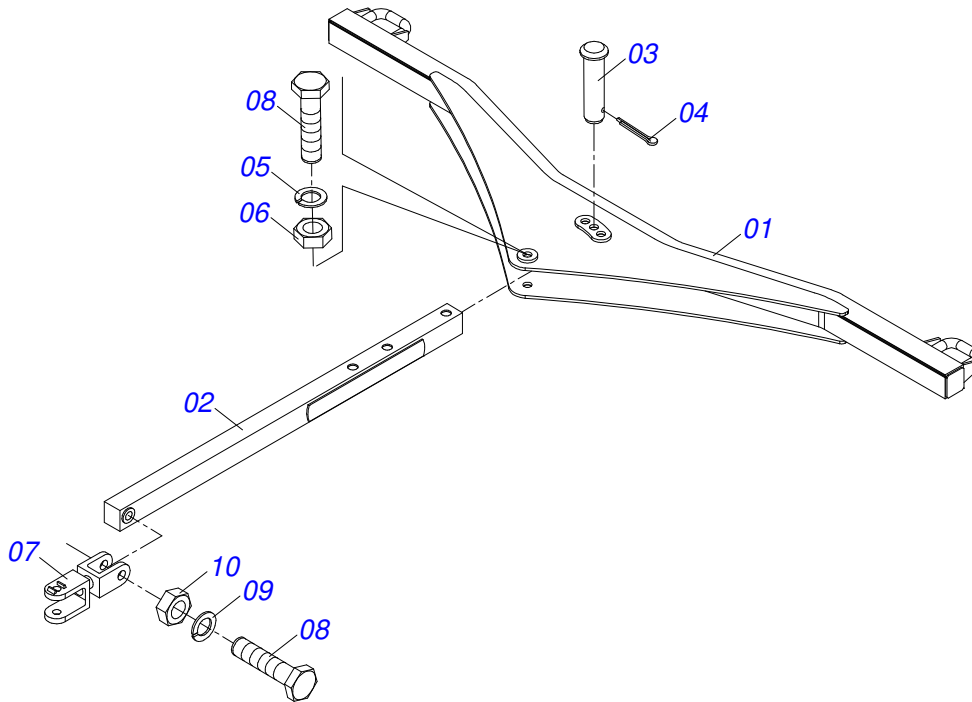


Item	Code	Description	See page	52	56
01	0521063668	RIGHT FRONT FRAME - 52		01	00
01.	0521064951	REAR FRAME - 56		00	01
02	0521063667	LEFT FRONT FRAME - 52		01	00
02.	0521064952	LEFT REAR FRAME		00	01
03	0501063751	1.5" X 5.5" PIVOT SHAFT		04	04
04	0501010100	SCREW 5/8 UNC X 2 CS G.5 ZN		04	04
05	0501012140	FLAT WASHER		04	04
06	0503010013	5/8" NUT		04	04
07	0501018941	TRANSPORT LOCK		02	02
08	0521010592	1.1" X 3.1" COUPLING SHAFT		04	04
09	0511017480	FLAT WASHER		08	08
10	0503010571	1/4" X 1.1/2 COTTERPIN		06	06
11	0531019497	1.5" X 9.2" ARTICULATED AXIS		04	04
12	0531019540	FLAT WASHER		04	04
13	0501011301	1.1/2 UNC 6FPP 2.5/16 NUT		04	04
14	0503010010	1/4" X 2.1/2" COTTERPIN		04	04
15	0521063666	RIGHT REAR FRAME		01	00
15.	0521064953	REAR FRAME - 56		00	01
16	0521063665	LEFT REAR FRAME - 52		01	00
16.	0521064954	REAR FRAME - 56		00	01
17	0501064509	FRONT STABILIZER BAR		01	00
17.	0501065956	78" FRONT STABILIZER BAR		00	01
18	0501064508	REAR STABILIZER BAR 1360		01	00
18.	0501065958	74.8" REAR STABILIZER BAR		00	01
19	0503010002	1800 GREASE FITTING		04	04
20	0511058459	HYDRAULIC CYLINDER	2	01	01
21	0521013077	1.2" X 5.7" PIVOT SHAFT		01	01
22	0501010086	FLAT WASHER		01	01
23	0503010523	1/4" X 2" COTTERPIN		01	01
24	0521010585	0.9" X 5.9" COUPLING SHAFT		01	01
25	0503010523	1/4" X 2" COTTERPIN		01	01

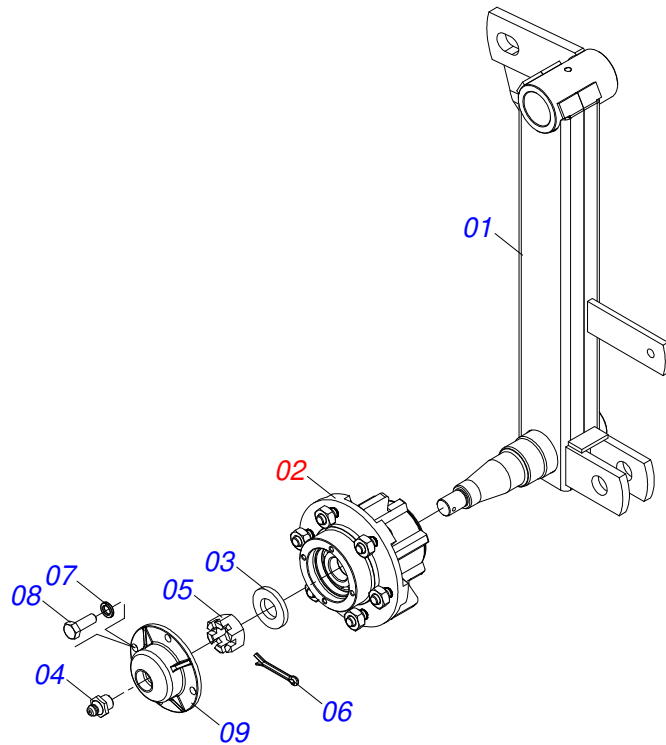
Item	Code	Description	See page	52	56
26	0511042712	DRAWBAR ASSY	3	01	01
27	0501010426	1-1/4" X 6" SCREW		02	02
28	0503010070	SPRING WASHER		02	02
29	0501010087	1.1/4" NUT		02	02
30	0501040343	DRAWBOLT ASSY		01	01
30A	0521010453	AXI SHAFT		01	01
30B	0503031035	HAIR PIN		01	01
31	0501011649	U 1.2" X 3.1"X 3/16" BAR		01	01
32	0501060598	DRAWBAR JACK		01	01
32.	0501060597	RIGHT DRAWBAR JACK		01	01
33	0521810625	JUNCTION SHAFT		01	01
34	0503030168	HAIR PIN		01	01
35	0521066143	JUNCTION SHAFT		01	01
36	0503030012	HAIR PIN		01	01
37	0501063963	FRONT SCRAPER		16	18
38	0501063962	REAR SCRAPER		16	18
39	0503011082	C1/2" X 1.3/4" SCREW		68	76
40	0511017302	FLAT WASHER		68	76
41	0503010019	1/2" SPRING WASHER		68	76
42	0503010060	1/2" NUT		84	92
43	0501010198	1-1/4" CABLE FLAT WRENCH		01	01
44	0511018451	5/8" X 3/4" X 1" UNIVERSAL		01	01
45	0501068273	5/8" WRENCH		01	01
46	0501051637	RIGHT STUB SHAFT & HUB ASSY	5	01	01
47	0501051638	LEFT STUB SHAFT & HUB ASSY	4	01	01
48	0501015875	FLAT WASHER		02	02
49	0511064131	REAR SCRAPER		01	01
50	0511064132	FRONT SCRAPER		01	01
51	0503060094	WHEEL AND TIRE ASSY	7	02	02
52	0503034004	ALUMINUM IDENTIFICATION LABEL		01	01
53	0503010001	3.2 X 5.5 RIVET		04	04
54	0503033725	BADGE		01	01
55	0503034078	LIFTING POINTS DECAL		01	01
56	0503033404	CIVEMASA BADGE		01	01
57	0503033038	DANGER SIGN		01	01
58	0503031827	LUBRICATE AND RETIGHTEN DAILY DECAL		01	01
59	0503034078	LIFTING POINTS DECAL		01	01
60	0503033647	APPROVED BADGE		01	01
61	0503031739	ADHESIVE LABEL		01	01
62	0501047858	ADJUSTMENT LEVER ASSY	8	01	01
63	0501064197	ADJUSTMENT BAR		01	01
64	0501040852	1" X 4" ASSY BOLT		01	01
64A	0503011432	BOLT		01	01
64B	0503010012	1" SPRING WASHER		01	01
64C	0501010059	1.5/8 NUT		01	01
65	0909095766	GANG DISC - 52/56D	9	01	01



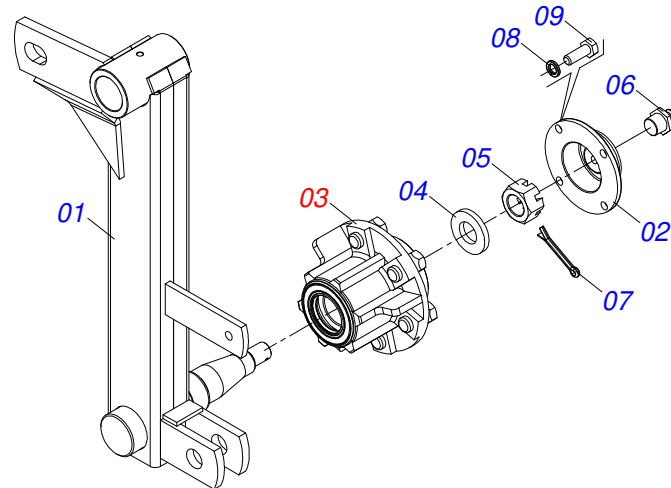
Item	Code	Description	See page	QT
01	0521061064	85,72 X 510 CYLINDER CASE		01
02	0521067533	50,80 X 697 EXTENSOR		01
03	0503010042	2-214 N 3006-9B O'RING		01
04	0503010063	1" SELF-ALIGNING NUT		01
05	0503030385	CYLINDER PLUG N-002		02
06	0503010002	1800 GREASE FITTING		02
07	0571019710	1.7" X 3.4" PISTON		01
08	0503017935	RING		01
09	0503018144	RING		01
10	0581013227	85,72 MOVEEL COVER		01
11	0581013228	50,80 X 85,72 SUPPORT RINGS		01
12	0503017940	8-337 BACK-UP RING		02
13	0503017939	2-337 N 3006-9B O' RING		02
14	0503010039	D-2000 SCRAPER RING		01
15	0503018026	1870-2000-375 B GASKET		01
16	0503018025	RING GUIDE		01
17	0503018024	RING BS		01



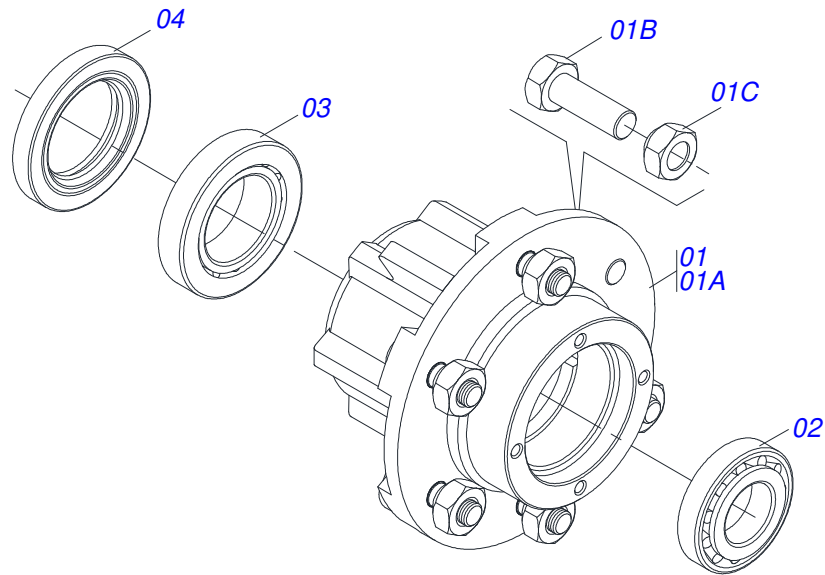
Item	Code	Description	See page	QT
01	0511064555	OFFSET BAR		01
02	0501060188	DRAWBAR ASSY		01
03	0521010585	0.9" X 5.9" COUPLING SHAFT		01
04	0503010523	1/4" X 2" COTTERPIN		02
05	0503011438	SPRING WASHER		02
06	0501010059	1.5/8 NUT		02
07	0521061775	TRACTOR HITCH		01
08	0501010060	1" X 6-1/2" BOLT		02



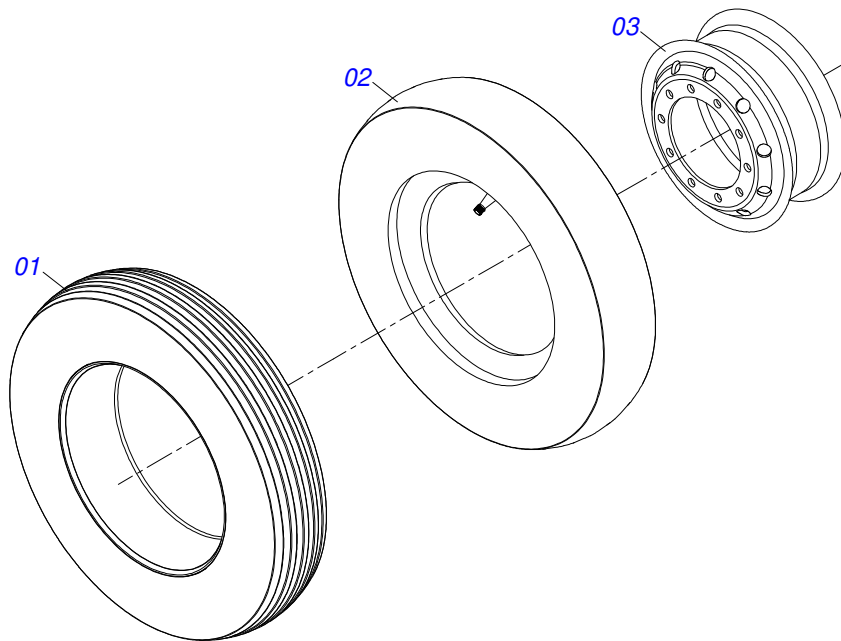
Item	Code	Description	See page	QT
01	0501069091	LEFT CARRYING-W FIXATION SUPPORT		01
02	0501051142	CARRYING WHEEL HUB	6	01
03	0501016545	FLAT WASHER		01
04	0503010002	1800 GREASE FITTING		01
05	0503030009	1" CASTLE NUT		01
06	0503010018	5/32 X 1-1/2 COTTERPIN		01
07	0503011444	SPRING WASHER		04
08	0503010358	5/16" X 5/8" BOLT		04
09	0502020591	PROTECCION COVER		01



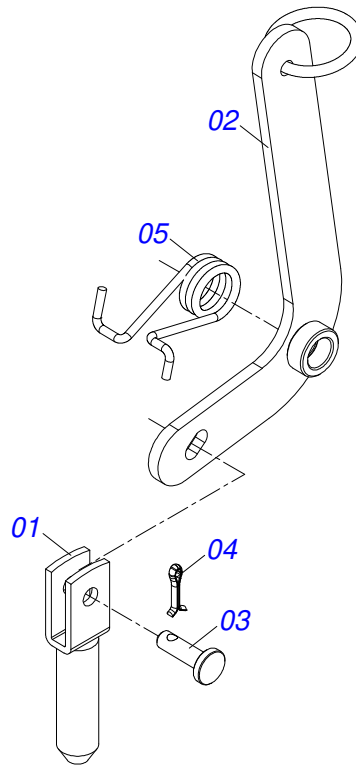
Item	Code	Description	See page	QT
01	0501068991	RIG CARRYING-WHEEL FIXATION SUPPORT		01
02	0502020591	PROTECCION COVER		01
03	0501051142	CARRYING WHEEL HUB	6	01
04	0501016545	FLAT WASHER		01
05	0503030009	1" CASTLE NUT		01
06	0503010002	1800 GREASE FITTING		01
07	0503010018	5/32 X 1-1/2 COTTERPIN		01
08	0503011444	SPRING WASHER		04
09	0503010358	5/16" X 5/8" BOLT		04



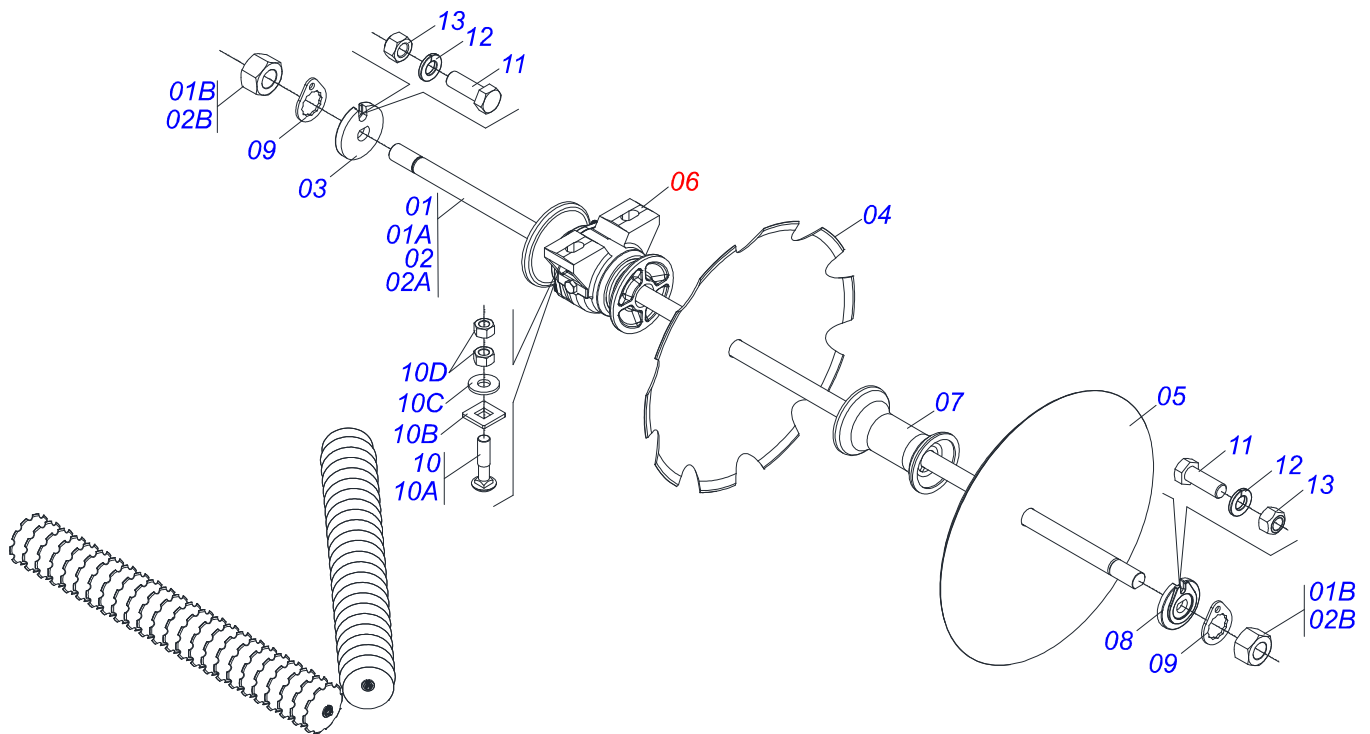
Item	Code	Description	See page	QT
01	0501110728	WHEEL HUB		01
01A	0502011121	CARRYING WHEEL HUB		01
01B	0501010127	9/16" X 1-7/8" LUG BOLT		06
01C	0503010035	9/16" CONIC NUT		06
02	0503010037	30207 ROLLER BEARING		01
03	0503010006	32210 ROLLER BEARING		01
04	0503012928	SEAL		01



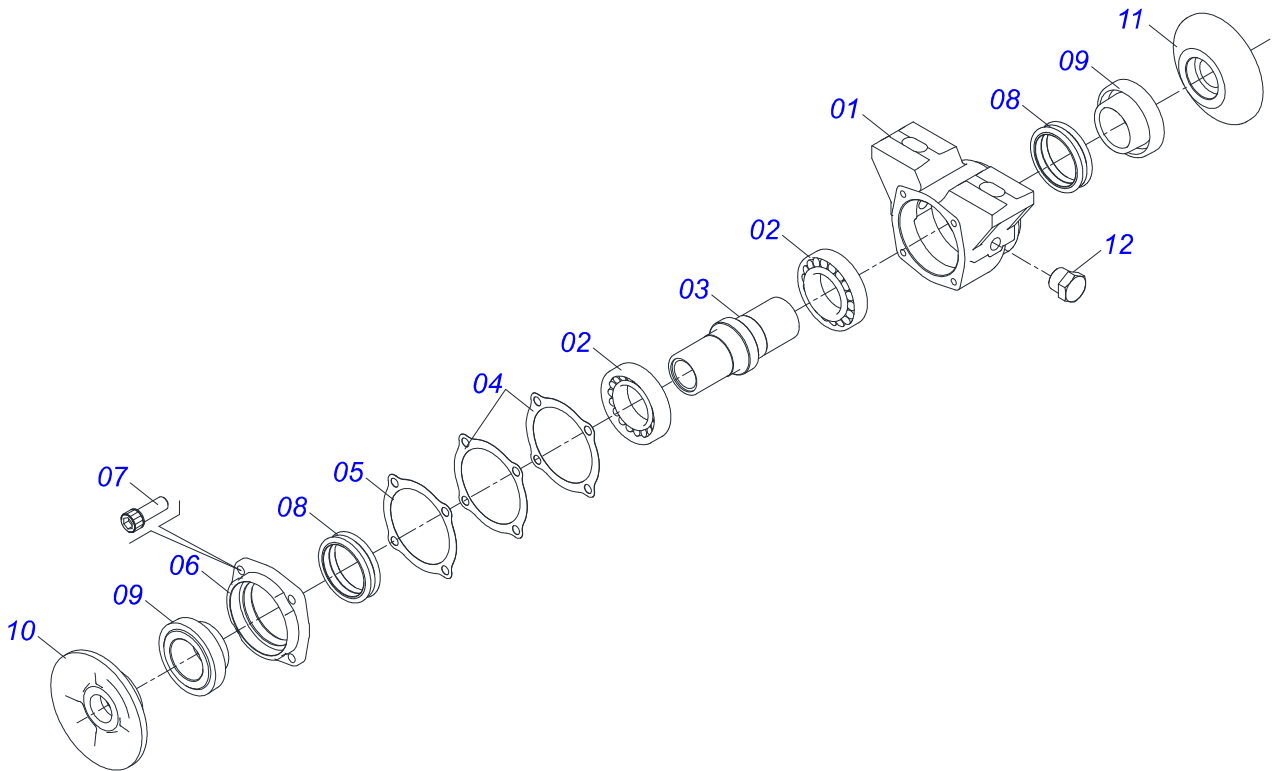
Item	Code	Description	See page	QT
01	0503010065	CANVAS TIRE		01
02	0503010068	6.00 X 16 INNER TIRE		01
03	0503010894	0.2"X0.6"X4.6"X6F0.6"X6" WHEEL		01



Item	Code	Description	See page	QT
01	0501060185	ADJUSTMENT LOCK		01
02	0501068981	ADJUSTMENT LEVER		01
03	0521010624	0.4" X 1.5" COUPLING SHAFT		01
04	0503010071	3/16" X 1" COTTERPIN		01
05	0503030025	1.4" X 0.2" TORSION SPRING		01



Item	Code	Description	See page	52	56
01	0501042202	1-1/4" X 50" AXLE WITH NUTS		04	08
01A	0501016650	1-1/4" X 50" AXLE		01	01
01B	0501010087	1.1/4" NUT		02	02
02	0501042201	1.1/4" X 1090 AXLE WITH NUTS		04	00
02A	0501016649	1.1/4" X 1090 AXLE		01	00
02B	0501010087	1.1/4" NUT		02	00
03	0502010835	1-1/4" EXTERNAL AXLE WASHER		08	08
04	0602029421	NOTCHED DISC		26	28
05	0601029417	PLAIN DISC BLADE		24	26
05.	0601027305	DL20X4 C57AF02FR1.5/16		00	02
05..	0601027304	PLAIN DISC BLADE		02	00
05...	0601029418	22" X 3,5 PLAIN DISC BLADE		00	26
05....	0601027301	20" X 3,5 PLAIN DISC BLADE		00	02
06	0501046922	7.5" X 1-1/4" OIL BATH BEARING	10	16	16
07	0502010549	7.6" X 1-1/4" SPACER		28	32
08	0502010834	1-1/4" INNER AXLE WASHER		08	08
09	0501010455	1.1/4" NUT LOCK		16	16
10	0501058802	5/8 UNC X 2.3/4 BOLT ASSY		32	32
10A	0503015154	5/8" X 2.3/4" BOLT		01	01
10B	0501010947	5/8 NUT LOCK		01	01
10C	0501012140	FLAT WASHER		01	01
10D	0503010013	5/8" NUT		02	02
11	0503010395	1/2" X 1-1/4" BOLT		16	16
12	0503010019	1/2" SPRING WASHER		16	16
13	0503010060	1/2" NUT		16	16



Item	Code	Description	See page	QT
01	0502010540	HOUSING DM		01
02	0503010111	30210 ROLLER BEARING		02
03	0502040218	AXLE		01
04	0503030013	4.4" X 3.5" X 0.004" JOINT		02
05	0503030684	4.4" X 3.5" X 0.004" JOINT		01
06	0502020424	HOUSING CAP		01
07	0503010134	3/8" X 1" BOLT		04
08	0503030026	SEAL LP JB-253		02
09	0502010541	SEAL RETAINER		02
10	0502010070	OUTER FLANGE		01
11	0502010071	INNER FLANGE		01
12	0503010856	OIL PLUG		01



civemasa

Technical Publications | Elaboration and Revision

LORENA ROCHA ALVES

www.civemasa.com.br

