

DISK HARROWS

GIPCR 300 - 22/24/26/28/30 - AXIS 1.3/4"

Code: 0501093017

Series: S-0221

Revision: 00

Revision Date: MARCO/2021

PARTS CATALOGUE

CIVEMASA




PRODUCTS

Code	Description
0120880030	GIPCR 300 22 X 30 X 7,50 DM DR PN 11L15 S-0221
0120880035	GIPCR 300 22X30X7,50 DM RD DR S-0221
0120880029	GIPCR 300 24X30X7,50 DM DR PN 11L15 S-0221
0120880031	GIPCR 300 24X30X7,50 DM DR RD DR S-0221
0120880034	GIPCR 300 26X28X7,50 DM RD DR 61340047 S-0221
0120880033	GIPCR 300 26X30X7,50 DM RD DR S-0221
0120880036	GIPCR 300 28X28X7,5 DM RD DR S-0221
0120880037	GIPCR 300 28X30X7,5 DM RD DR S-0221
0120880032	GIPCR 300 30 X 30 X 7,50 DM RD DR S-0221

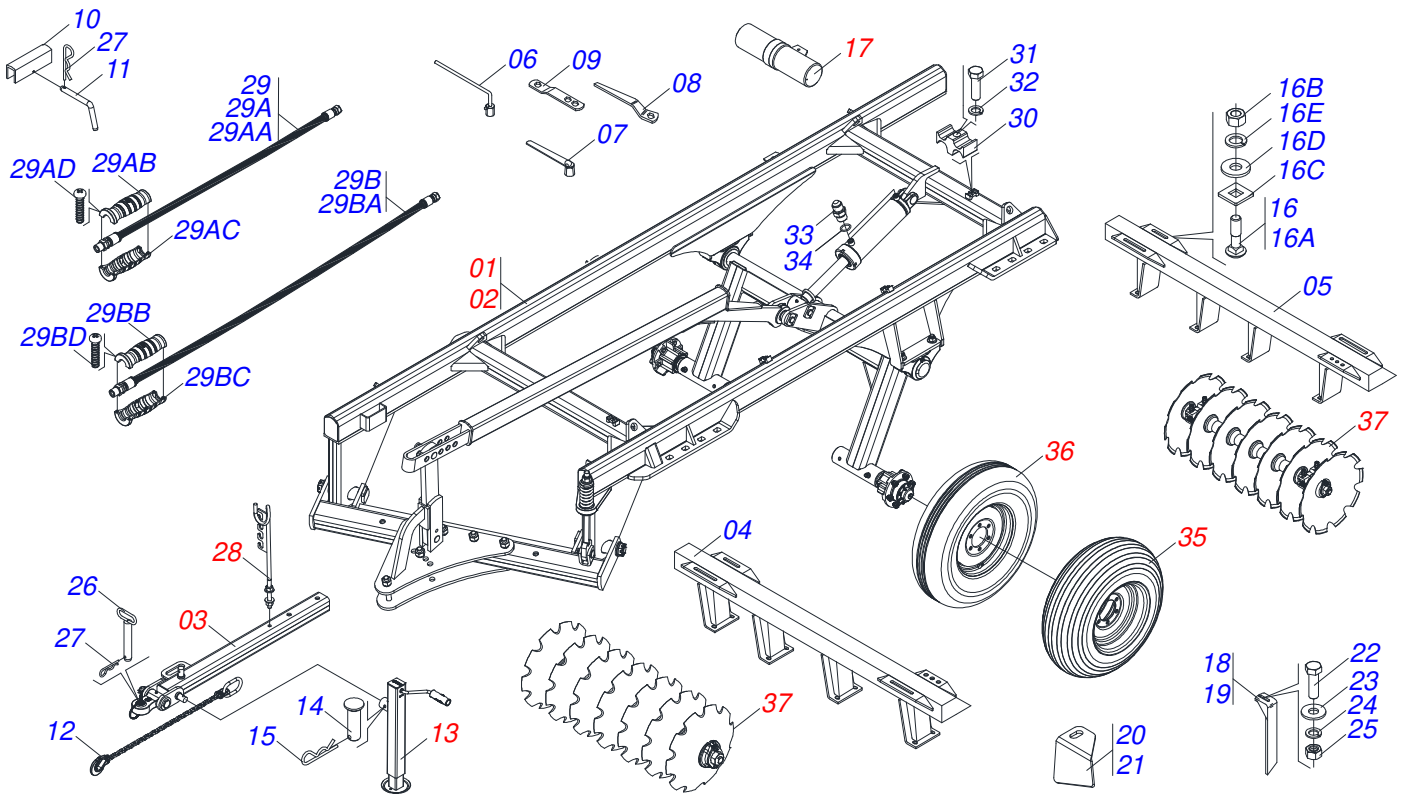
ATTENTION: IMPORTANT

Civemasa reserves the right to improve and / or modify the technical features of its products, without obligation to do the same with those products already sold and without prior knowledge of the dealer or the consumer.



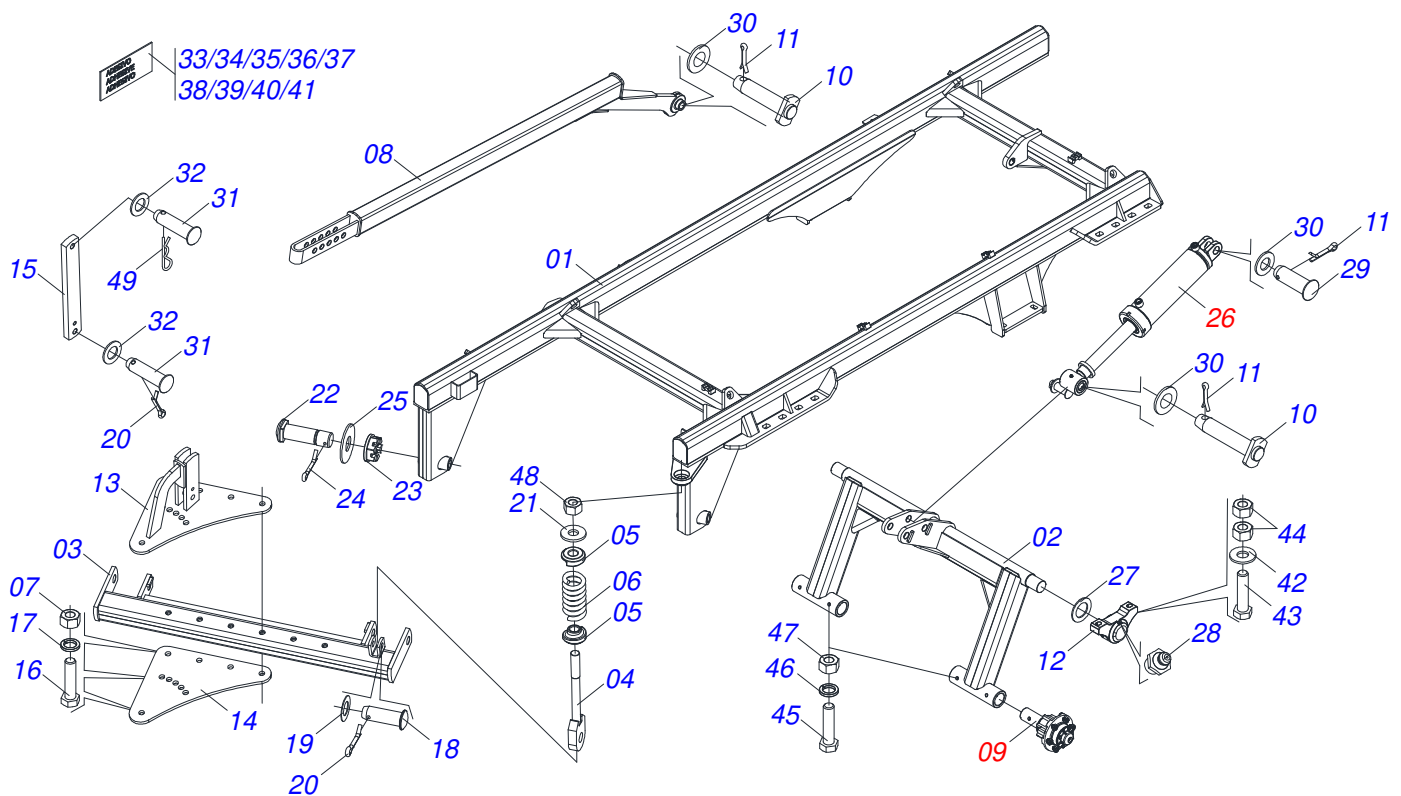
INDEX

0909095774	ASSY FRAME - 22/24/26/28/30D	1
0521049103	FULL TABLE	2
0521049105	DOUBLE WHEEL FULL FRAME	3
0501054931	STUB SHAFT & HUB	4
0501051142	CARRYING WHEEL HUB	5
0511050166	HYDRAULIC CYLINDER (ACTUAL)	6
0521048502	ASSY TRACTION BAR	7
0521057520	HITCH ASSY	8
0503062157	HEADER JACK	9
0521055904	MANUAL STORAGE TUBE ASSY	10
0501040257	3/4 X 1200 HOSE HOLDER A	11
0503060181	WHEEL AND TIRE	12
0503060091	L29.5"X0.63"-10L WHEEL AND	13
0909095775	GANG DISC 22/24/26/28/30D	14
0511042128	OIL BATH BEARING	15



Item	Code	Description	See page	22	24	26	28	30
01	0521049105	DOUBLE WHEEL FULL FRAME	3	01	01	01	01	01
02	0521049103	FULL TABLE	2	01	01	01	01	01
03	0521048502	ASSY TRACTION BAR	7	01	01	01	01	01
04	0521064200	FRONT FRAME		01	00	00	00	00
04.	0521064201	FRONT FRAME 3300		00	01	00	00	00
04..	0521064202	FRONT FRAME		00	00	01	00	00
04...	0521067932	FRONT FRAME 28		00	00	00	01	00
04....	0521066099	FRONT FRAME		00	00	00	00	01
05	0531060761	REAR FRAME 22		01	00	00	00	00
05.	0521069130	REAR FRAME 24		00	01	00	00	00
05..	0531060463	REAR FRAME 26		00	00	01	00	00
05...	0521067933	REAR FRAME 28		00	00	00	01	00
05....	0521066100	REAR FRAME		00	00	00	00	01
06	0503016140	3/4" WRENCH CABLE CYLINDRICAL		01	01	01	01	01
07	0501061617	1" GANG BOLT WRENCH		01	01	01	01	01
08	0501011431	1-3/4" GANG BOLT WRENCH		02	02	02	02	02
09	0511018451	5/8" X 3/4" X 1" UNIVERSAL		01	01	01	01	01
10	0551010280	253 TRANSPORT LOCK		01	01	01	01	01
11	0541016844	FIXER LOCK		01	01	01	01	01
12	0503013150	1300 X 3/8 CHAIN		01	01	01	01	01
13	0503062157	HEADER JACK	9	01	01	01	01	01
14	0521010549	COUPLING SHAFT		01	01	01	01	01
15	0503030285	HAIR PIN		01	01	01	01	01
16	0501040877	C1" X 3-1/4" ASSY BOLT		08	08	08	08	08
16A	0501010171	BOLT 1 UNC X 3.1/2 C S G.5		08	08	08	08	08
16B	0501010059	1.5/8 NUT		08	08	08	08	08
16C	0502012861	1" SQUARE WASHER		08	08	08	08	08
16D	0501010065	1" SPRING WASHER		08	08	08	08	08
16E	0503010012	1" SPRING WASHER		08	08	08	08	08
17	0521055904	MANUAL STORAGE TUBE ASSY	10	01	01	01	01	01
18	0501064168	REAR SCRAPER		06	07	08	09	08

Item	Code	Description	See page	22	24	26	28	30
19	0501064167	REAR SCRAPER		06	07	08	09	08
20	0561019424	REAR BEARING CLEANER		04	04	04	04	06
21	0561019423	FRONT LEVER CLEANER		04	04	04	04	06
22	0503011082	C1/2" X 1.3/4" SCREW		24	28	32	36	32
23	0511017302	FLAT WASHER		24	28	32	36	32
24	0503010019	1/2" SPRING WASHER		24	28	32	36	32
25	0503010060	1/2" NUT		24	28	32	36	32
26	0501069080	COUPLING SHAFT		01	01	01	01	01
27	0503030168	HAIR PIN		02	02	02	02	02
28	0501040257	3/4 X 1200 HOSE HOLDER A	11	01	01	01	01	01
29	0531050998	HOSE GAME		01	01	01	01	01
29A	0531050997	3/8 X 7000 TC-TM HOSE BLACK / BLUE		01	01	01	01	01
29AA	0501080477	HOSE 3/8 X 7012 TC-TM		01	01	01	01	01
29AB	0503034492	HYDRAULIC HOSE GRIP (BLACK)		01	01	01	01	01
29AC	0503034494	HYDRAULIC HOSE GRIP (BLUE)		01	01	01	01	01
29AD	0503018952	PLASTIC BOLT		03	03	03	03	03
29B	0531050996	3/8 X 6700 TC-TM HOSE BLACK / RED		01	01	01	01	01
29BA	0501080476	3/8" X 26" TC-TM HOSE ASSY		01	01	01	01	01
29BB	0503034495	HYDRAULIC HOSE GRIP (RED)		01	01	01	01	01
29BC	0503034492	HYDRAULIC HOSE GRIP (BLACK)		01	01	01	01	01
29BD	0503018952	PLASTIC BOLT		03	03	03	03	03
30	0502010477	HOSE CLAMP		04	04	04	04	04
31	0503011135	BOLT		04	04	04	04	04
32	0503010180	7/16" SPRING WASHER		04	04	04	04	04
33	0501010617	3/4" NIPPLE		02	02	02	02	02
34	0503010190	2-114 N 3006-9B O'RING		02	02	02	02	02
35	0503060181	WHEEL AND TIRE	12	02	02	02	02	02
36	0503060091	L29.5"X0.63"-10L WHEEL AND	13	02	02	02	02	02
37	0909095775	GANG DISC 22/24/26/28/30D	14	01	01	01	01	01

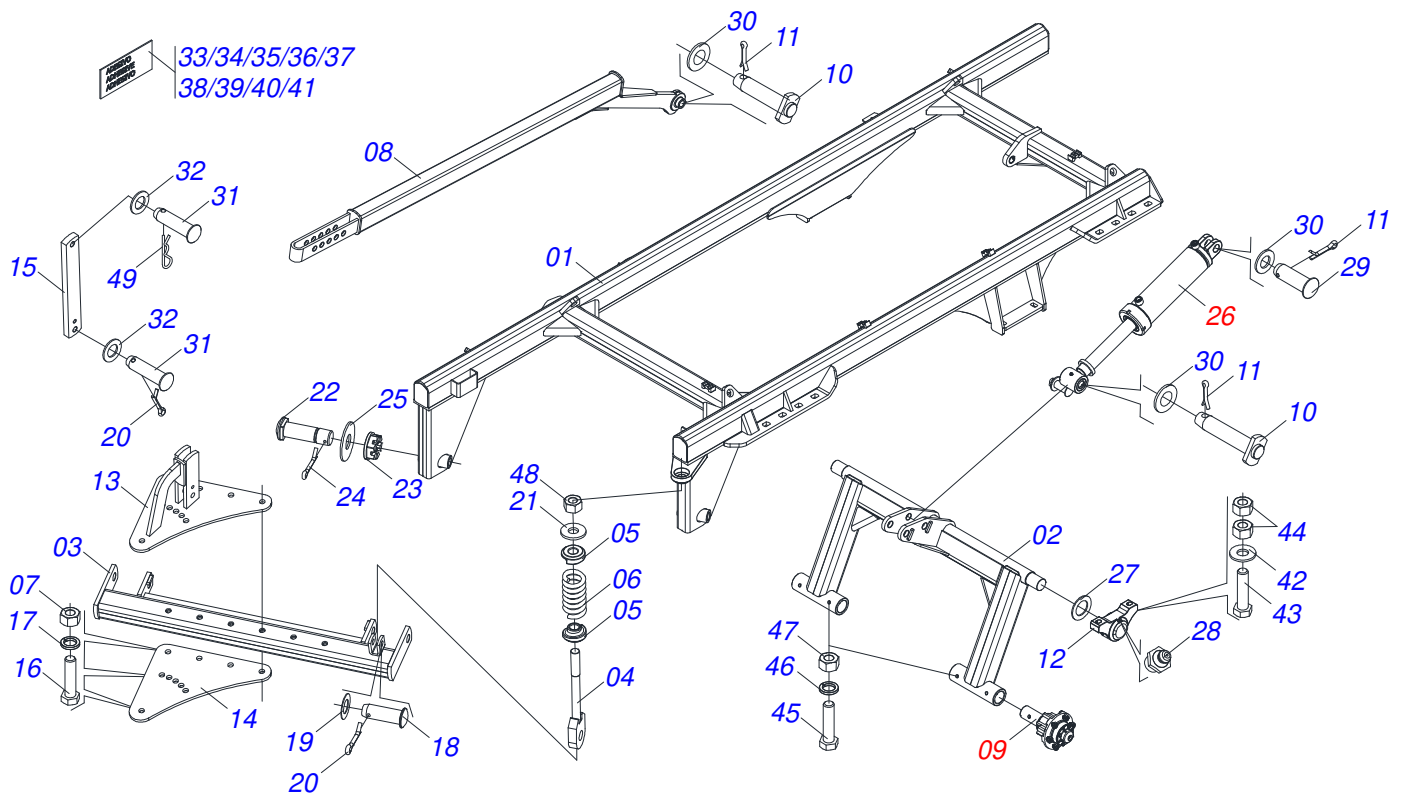


Item	Code	Description	See page	QT
01	0521069680	FRAME		01
02	0521069679	600 X 1400 WHEEL		01
03	0521062532	CONNECTION BAR 1324		01
04	0501064698	SPRING ROD		01
05	1902020393	SPRING UPPER SUPPORT		02
06	0503030441	12.7" X 5.7" X 0.5"SPRING		01
07	0501010059	1.5/8 NUT		06
08	0521069682	STABILIZING BAR 2590		01
09	0501054931	STUB SHAFT & HUB	4	02
10	0521069685	AXLE JUNCTION 31.75 X 137		02
11	0503010523	1/4" X 2" COTTERPIN		03
12	0501110856	ARTICULACION BEARING		02
13	0521069686	TOP PLATE WITH SUPPORT		01
14	0521069137	LOWER PLATE FIXING BAR TRACTION		01
15	0581019738	STABILIZING BAR TOWER 650		01
16	0501010334	1" X 7" BOLT		06
17	0503011438	SPRING WASHER		06
18	0521010592	1.1" X 3.1" COUPLING SHAFT		01
19	0561011883	FLAT WASHER		01
20	0503010571	1/4" X 1.1/2 COTTERPIN		02
21	0531016049	FLAT WASHER		01
22	0531019497	1.5" X 9.2" ARTICULATED AXIS		02
23	0501011301	1.1/2 UNC 6FPP 2.5/16 NUT		02
24	0503010010	1/4" X 2.1/2" COTTERPIN		02
25	0551012215	FLAT WASHER		02
26	0511050166	HYDRAULIC CYLINDER (ACTUAL)	6	01
27	0501017579	FLAT WASHER		02
28	0503010002	1800 GREASE FITTING		05
29	0521010779	31.75 X 95 COUPLING SHAFT		01
30	0501017779	32 X 60 X 4.75 FLAT WASHER		03
31	0521010576	0.9" X 3.7" COUPLING SHAFT		02

FULL TABLE

0521049103

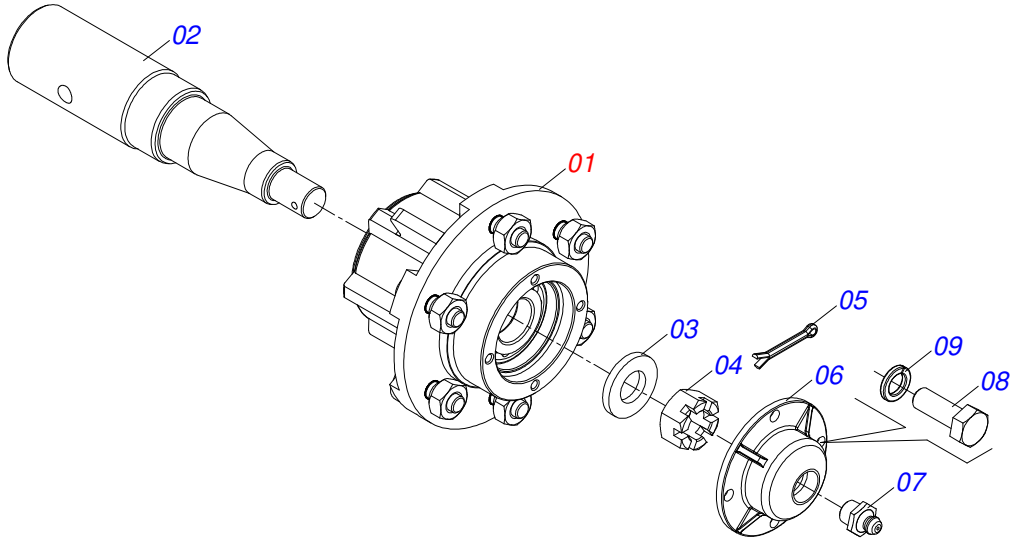
Item	Code	Description	See page	QT
32	0501011445	FLAT WASHER		02
33	0503031428	READ MANUAL DECAL		01
34	0503031087	ADHESIVE LABEL		01
35	0503031827	LUBRICATE AND RETIGHTEN DAILY DECAL		01
36	0503060824	ASSY STICKER		01
37	0503034499	HOSE IDENTIFICATION DECAL		01
38	0503034078	LIFTING POINTS DECAL		04
39	0503033038	DANGER SIGN		01
40	0503031738	ADHESIVE LABEL		01
41	0503031739	ADHESIVE LABEL		01
42	0501010322	FLAT WASHER		04
43	0503011246	3/4" X 3-1/2" BOLT		04
44	0503011075	3/4" UNC NUT		04
45	0503010706	SCREW 1/2 UNC X 4.1/2 C S G.5 ZN		02
46	0521014188	FLAT WASHER		02
47	0503010589	1/2" UNC SELF ADJUSTING NUT		02
48	0503018754	1-8 UNC NUT		01
49	0503031035	HAIR PIN		01



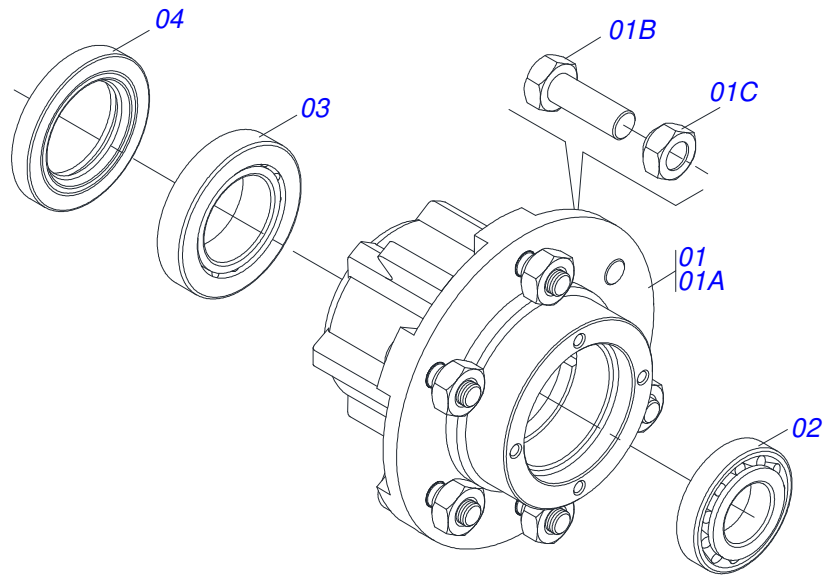
Item	Code	Description	See page	QT
001	0521069680	FRAME		01
002	0521069679	600 X 1400 WHEEL		01
003	0521062532	CONNECTION BAR 1324		01
004	0501064698	SPRING ROD		01
005	1902020393	SPRING UPPER SUPPORT		02
006	0503030441	12.7" X 5.7" X 0.5" SPRING		01
007	0501010059	1.5/8 NUT		06
008	0521069682	STABILIZING BAR 2590		01
009	0501054931	STUB SHAFT & HUB	4	04
010	0521069685	AXLE JUNCTION 31.75 X 137		02
011	0503010523	1/4" X 2" COTTERPIN		03
012	0501110856	ARTICULACION BEARING		02
013	0521069686	TOP PLATE WITH SUPPORT		01
014	0521069137	LOWER PLATE FIXING BAR TRACTION		01
015	0581019738	STABILIZING BAR TOWER 650		01
016	0501010334	1" X 7" BOLT		06
017	0503011438	SPRING WASHER		06
018	0521010592	1.1" X 3.1" COUPLING SHAFT		01
019	0561011883	FLAT WASHER		01
020	0503010571	1/4" X 1.1/2" COTTERPIN		02
021	0531016049	FLAT WASHER		01
022	0531019497	1.5" X 9.2" ARTICULATED AXIS		02
023	0501011301	1.1/2 UNC 6FPP 2.5/16 NUT		02
024	0503010010	1/4" X 2.1/2" COTTERPIN		02
025	0551012215	FLAT WASHER		02
026	0511050166	HYDRAULIC CYLINDER (ACTUAL)	6	01
027	0501017579	FLAT WASHER		02
028	0503010002	1800 GREASE FITTING		05
029	0521010779	31.75 X 95 COUPLING SHAFT		01
030	0501017779	32 X 60 X 4.75 FLAT WASHER		03
031	0521010576	0.9" X 3.7" COUPLING SHAFT		02

DOUBLE WHEEL FULL FRAME

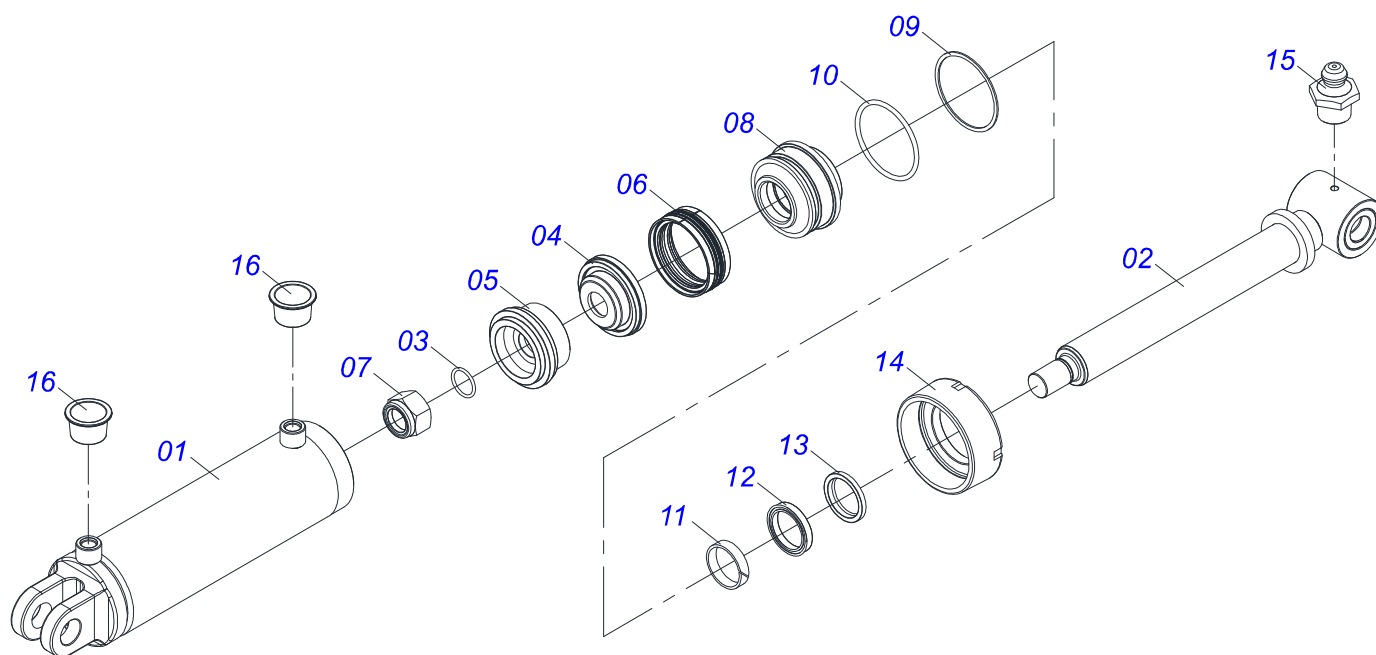
Item	Code	Description	See page	QT
032	0501011445	FLAT WASHER		02
033	0503031428	READ MANUAL DECAL		01
034	0503031087	ADHESIVE LABEL		01
035	0503031827	LUBRICATE AND RETIGHTEN DAILY DECAL		01
036	0503060824	ASSY STICKER		01
037	0503034499	HOSE IDENTIFICATION DECAL		01
038	0503034078	LIFTING POINTS DECAL		04
039	0503033038	DANGER SIGN		01
040	0503031738	ADHESIVE LABEL		01
041	0503031739	ADHESIVE LABEL		01
042	0501010322	FLAT WASHER		04
043	0503011246	3/4" X 3-1/2" BOLT		04
044	0503011075	3/4" UNC NUT		04
045	0503010706	SCREW 1/2 UNC X 4.1/2 C S G.5 ZN		04
046	0521014188	FLAT WASHER		04
047	0503010589	1/2" UNC SELF ADJUSTING NUT		04
048	0503018754	1-8 UNC NUT		01
049	0503031035	HAIR PIN		01



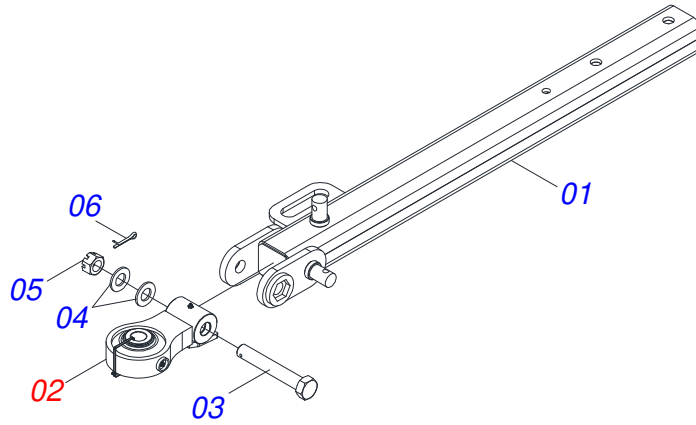
Item	Code	Description	See page	QT
01	0501051142	CARRYING WHEEL HUB	5	01
02	0541010739	2.5" X 12.2" AXLE		01
03	0501016545	FLAT WASHER		01
04	0503030009	1" CASTLE NUT		01
05	0503010018	5/32 X 1-1/2 COTTERPIN		01
06	0502020591	PROTECCION COVER		01
07	0503010002	1800 GREASE FITTING		01
08	0503010358	5/16" X 5/8" BOLT		04
09	0503011444	SPRING WASHER		04



Item	Code	Description	See page	QT
01	0501110728	WHEEL HUB		01
01A	0502011121	CARRYING WHEEL HUB		01
01B	0501010127	9/16" X 1-7/8" LUG BOLT		06
01C	0503010035	9/16" CONIC NUT		06
02	0503010037	30207 ROLLER BEARING		01
03	0503010006	32210 ROLLER BEARING		01
04	0503012928	SEAL		01

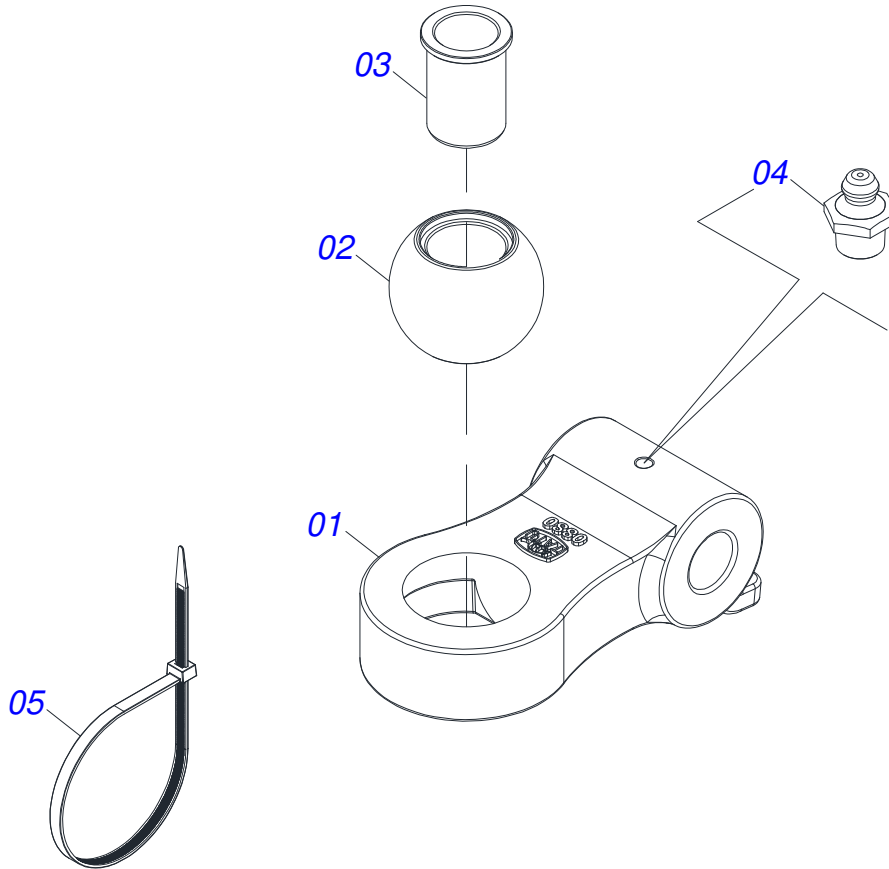


Item	Code	Description	See page	QT
01	0511066220	101,60 X 369 CYLINDER CASE		01
02	0511067445	50,8 X 452,5 TURNBUCLE		01
03	0503010345	2-218 N 3006-9B O'RING		01
04	0561016389	PISTON BODY		01
05	0561016387	PISTON BODY		01
06	0503015633	SELEMASTER SEALING		01
07	0503010817	1.1/4" SELF LOCKING NUT		01
08	0502012642	SUPPORT OF THE RINGS		01
09	0503011061	8-342 BACK-UP RING		01
10	0503010338	2-342 N 3006-9B O'RING		01
11	0503015634	RING SLYDRING		01
12	0503015635	U-CUP SEAL		01
13	0503015636	SCRAPER SEAL		01
14	0502010017	4" HEAD		01
15	0503010002	1800 GREASE FITTING		01
16	0503030384	CON PLUG N-001		02
17	0501039361R	REPAIR KIT		01



Item	Code	Description	See page	QT
01	0521069165	DRAWBAR ASSY		01
02	0521057520	HITCH ASSY	8	01
03	0581015973	1.1/4 UNC X 8 C S G5 SCREW		01
04	0501017779	32 X 60 X 4.75 FLAT WASHER		02
05	0503013026	1.1/4" CASTLE NUT		01
06	0503010010	1/4" X 2.1/2" COTTERPIN		01

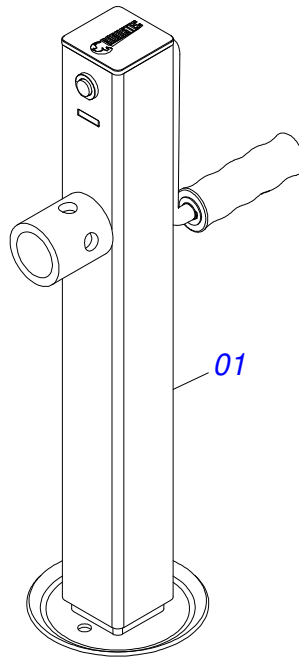
HITCH ASSY



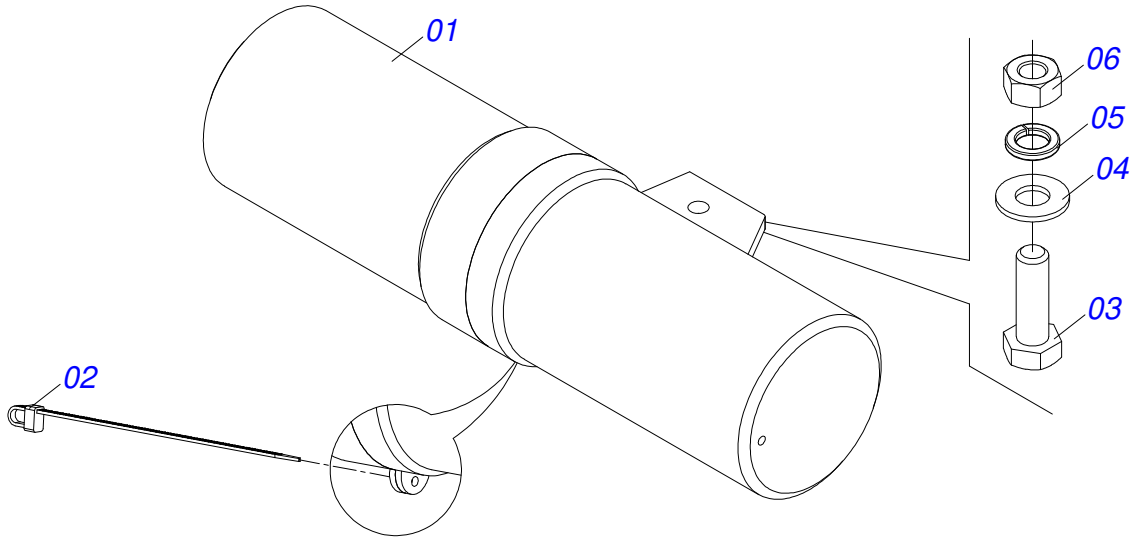
Item	Code	Description	See page	QT
01	0502040880	HITCH BODY		01
02	0502040885	BODY ATTACHMENT		01
03	0591012511	SLEEVE		01
04	0503010002	1800 GREASE FITTING		01
05	0503018829	NYLON CLAMP		01

HEADER JACK

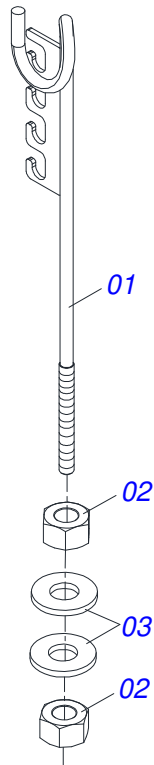
0503062157



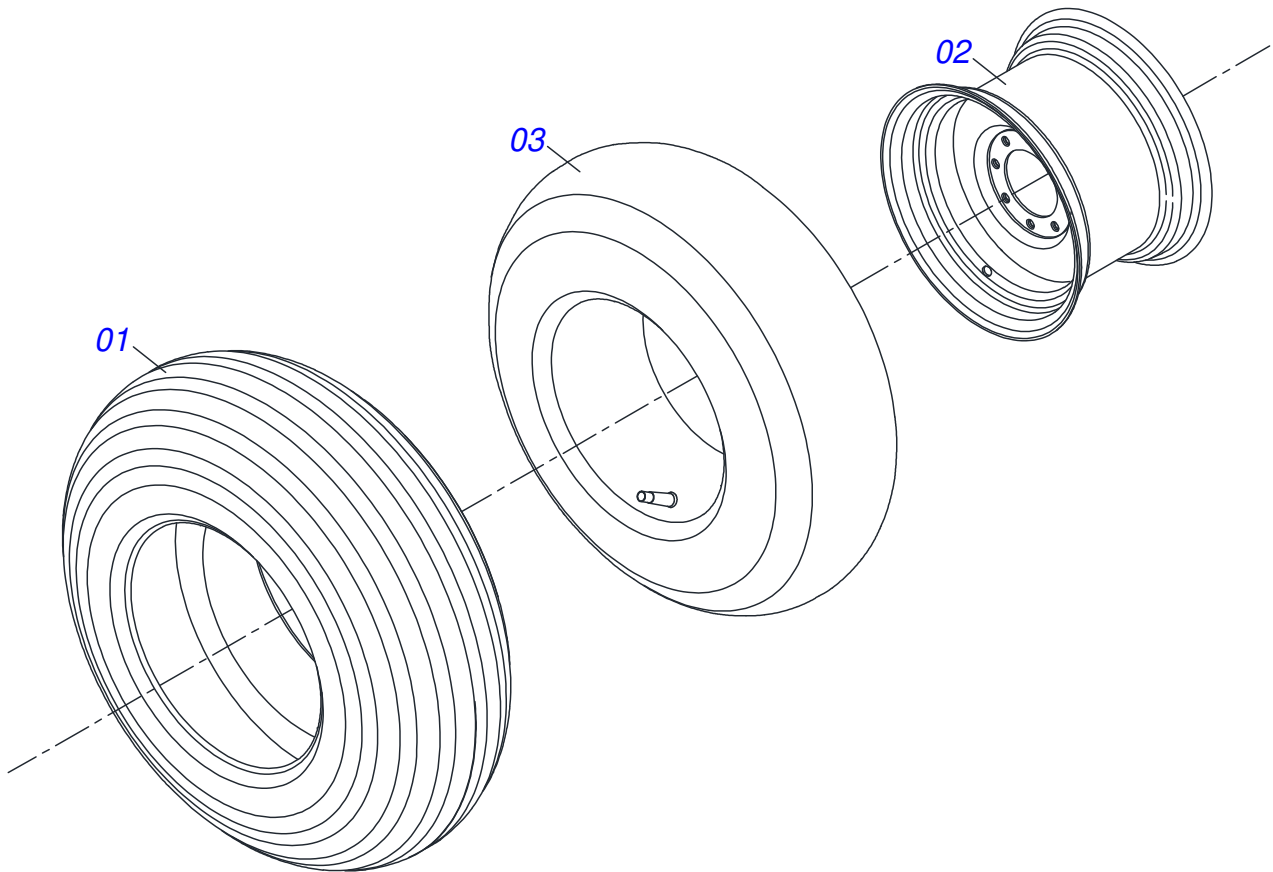
Item	Code	Description	See page	QT
01	0503062157	HEADER JACK	9	01



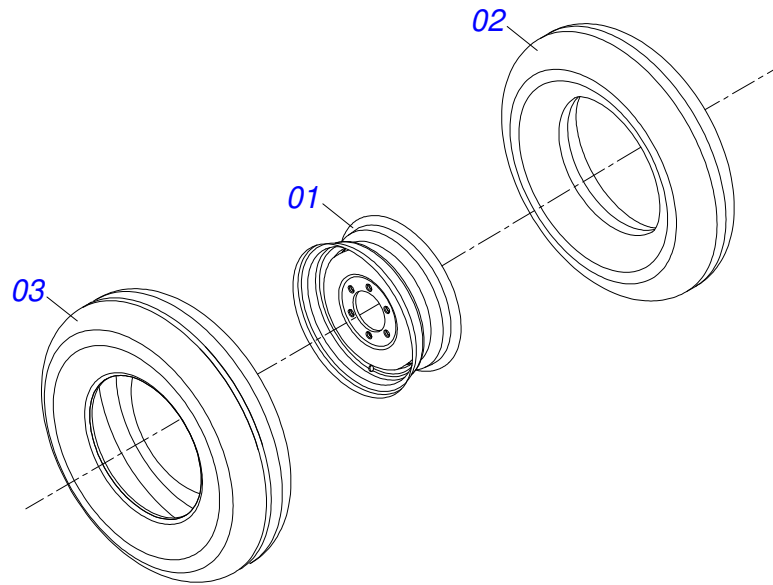
Item	Code	Description	See page	QT
01	0503060100	OPERATOR'S MANUAL STORAGE TUBE		01
02	0503010267	NYLON CLAMP		01
03	0503010363	5/16" X 1" BOLT		01
04	0501010694	8.5 X 18 X 1.5 FLAT WASHER		01
05	0503010179	5/16" ZN SPRING WASHER		01
06	0503010337	5/16" NUT		01



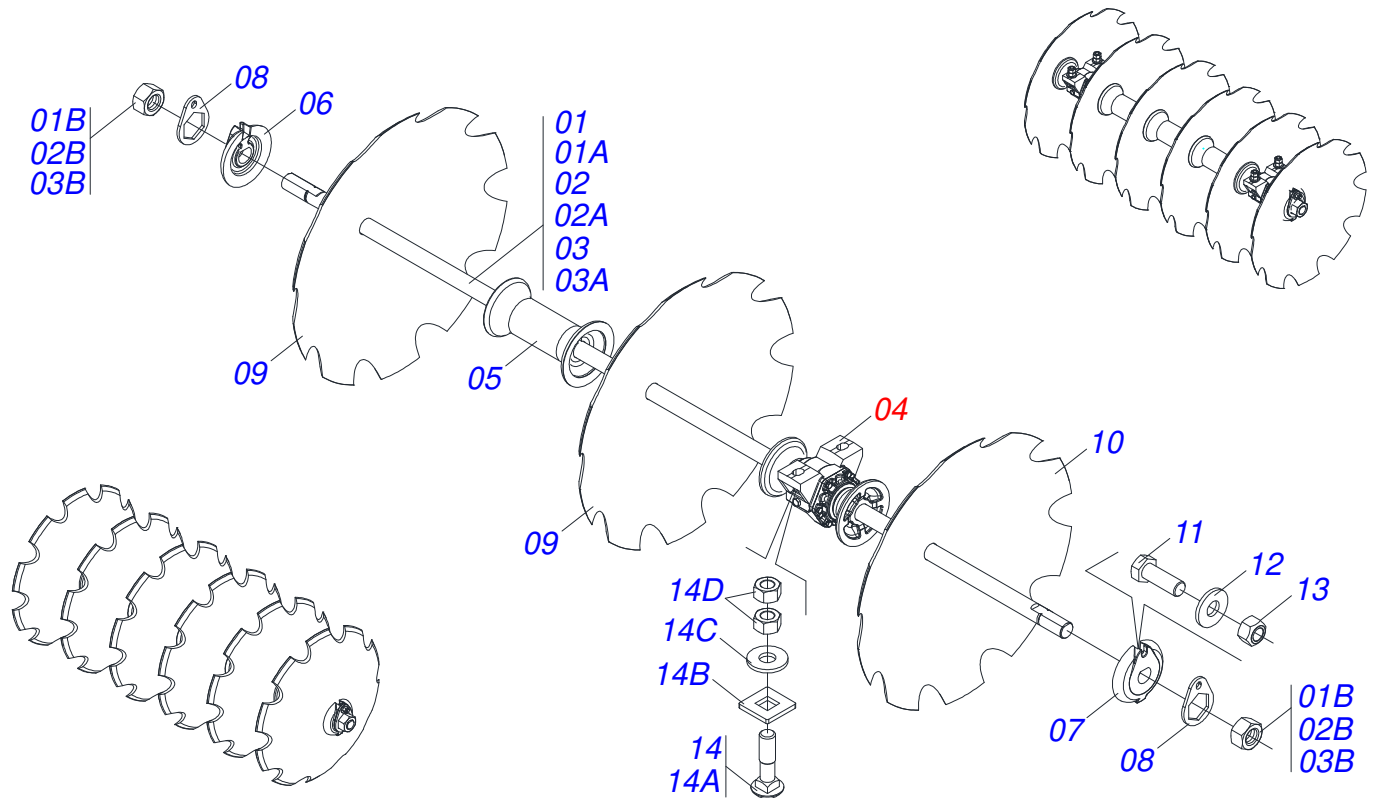
Item	Code	Description	See page	QT
01	0511067334	HOSE SOPPORT ASSY		01
02	0503010014	3/4" NUT		02
03	0501010322	FLAT WASHER		02



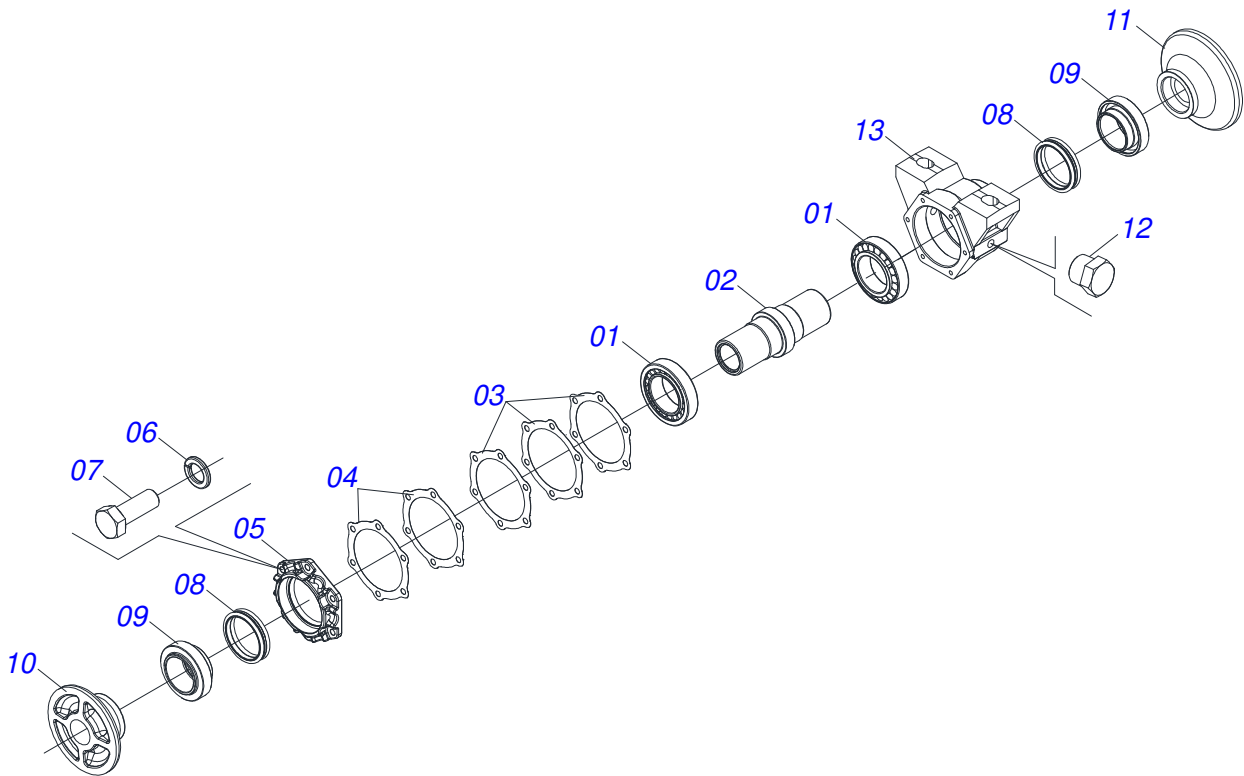
Item	Code	Description	See page	QT
01	0503010858	CANVAS TIRE		01
02	0503011468	WEEL		01
03	0503010860	CAMARA AR 11L 15		01



Item	Code	Description	See page	QT
01	0503010893	WHEEL		01
02	0503010033	7.50 X 16 INNER TIRE		01
03	0503010120	CANVAS TIRE		01



Item	Code	Description	See page	22	24	26	28	30
01	0511044700	1.3/4" X 1360MM AXLE		02	00	00	00	06
01A	0541010244	1.3/4 X 1360 AXLE		02	00	00	00	06
01B	0501010333	1.3/4" NUT		04	00	00	00	12
02	0511044701	1.3/4" X 1660 AXLE WITH NUT		02	04	02	00	00
02A	0541010245	1.3/4 X 1660 AXLE		02	04	02	00	00
02B	0501010333	1.3/4" NUT		04	08	04	00	00
03	0511044702	1.3/4" X 1960 AXLE ASSY		00	00	02	04	00
03A	0541010246	1.3/4" X 1960 AXLE		00	00	02	04	00
03B	0501010333	1.3/4" NUT		00	00	04	08	00
04	0511042128	OIL BATH BEARING	15	08	08	04	08	12
05	0502012193	292 X 1.3/4" SPACER		10	12	14	16	12
06	0502012222	1-3/4" EXTERNAL AXLE WASHER		04	04	04	04	06
07	0502012221	1-1/2" INNER AXLE WASHER		04	04	04	04	06
08	0511014339	1-5/8" 2.8" NUT LOCK		08	08	08	08	12
09	0602037001	28" X 7,5MM NOTCHED DISC BLADE		22	24	26	28	30
10	0602040041	30X7,5 C105AF04FR1.13/16 10R T/CV NOTCHED DISC		22	24	26	28	30
11	0503010232	5/8" X 1.3/4" BOLT		08	08	08	08	12
12	0511017302	FLAT WASHER		08	08	08	08	12
13	0503012412	5/8 UNC SELF LOCKING NUT		08	08	08	08	12
14	0501041925	3/4" X 3-1/2" BOLT ASSY		16	16	16	16	24
14A	0501010950	3/4" X 3-1/2" BOLT		16	16	16	16	24
14B	0501010949	3/4" SQUARE WASHER		16	16	16	16	24
14C	0501010322	FLAT WASHER		32	32	32	32	48
14D	0503010014	3/4" NUT		32	32	32	32	48



Item	Code	Description	See page	QT
001	0503010104	3984/3920 ROLLER BEARING		02
002	0502010824	AXLE CM/DM		01
003	0503030030	5.6" X 4.4" X 0.01" GASKET		03
004	0503030685	5.5" X 4.4" X 0.003" GASKET		02
005	0502020161	WEAR PLATE BEARING		01
006	0503011443	3/8" SPRING WASHER		06
007	0503010237	3/8" X 1" BOLT		06
008	0503030027	DUO-CONE SEAL		02
009	0502010823	SEAL RETAINER		02
010	0502012194	INNER FLANGE		01
011	0502012195	BEARING OUTER FLANGE		01
012	0503010856	OIL PLUG		02
013	0502020477	HOUSING DM		01



civemasa

Technical Publications | Elaboration and Revision

LUIZ CANDIDO

www.civemasa.com.br

