

DISK HARROWS

GIPCR 300 - 20/22/24/26/28/30 - 2.1/8" AXIS

Code: 0501093016
Series: S-0221
Revision: 00
Revision Date: JUNHO/2022

PARTS CATALOGUE

CIVEMASA




PRODUCTS

Code	Description
0120880028	GIPCR 300 20X30X7,50 DM RD DUPLO EIXO 2.1/8 S-0221
0120880027	GIPCR 300 22X30X7,50 DM RD DUPLO EIXO 2.1/8 S-0221
0120880026	GIPCR 300 24X30X7,50 DM RD DUPLO EIXO 2.1/8 S-0221
0120880025	GIPCR 300 26X30X7,50 DM RD DUPLO EIXO 2.1/8 S-0221
0120880024	GIPCR 300 28X30X7,50 DM RD DUPLO EIXO 2.1/8 S-0221
0120880023	GIPCR 300 30X30X7,50 DM RD DUPLO EIXO 2.1/8 S-0221

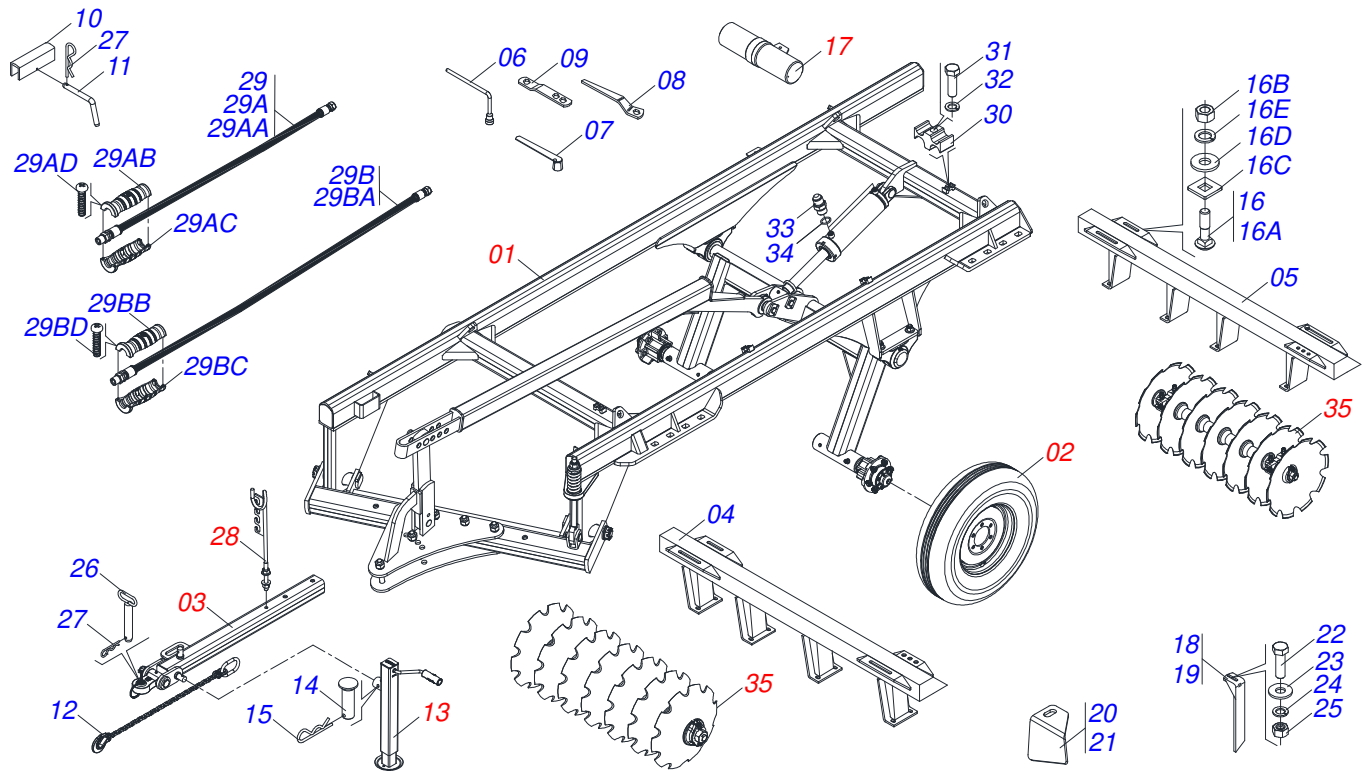
ATTENTION: IMPORTANT

CIVEMASA reserves the right to improve and/or modify the technical features of its products, without obligation to do the same with those products already sold and without prior knowledge of the dealer or the consumer. The photos are only illustrative.



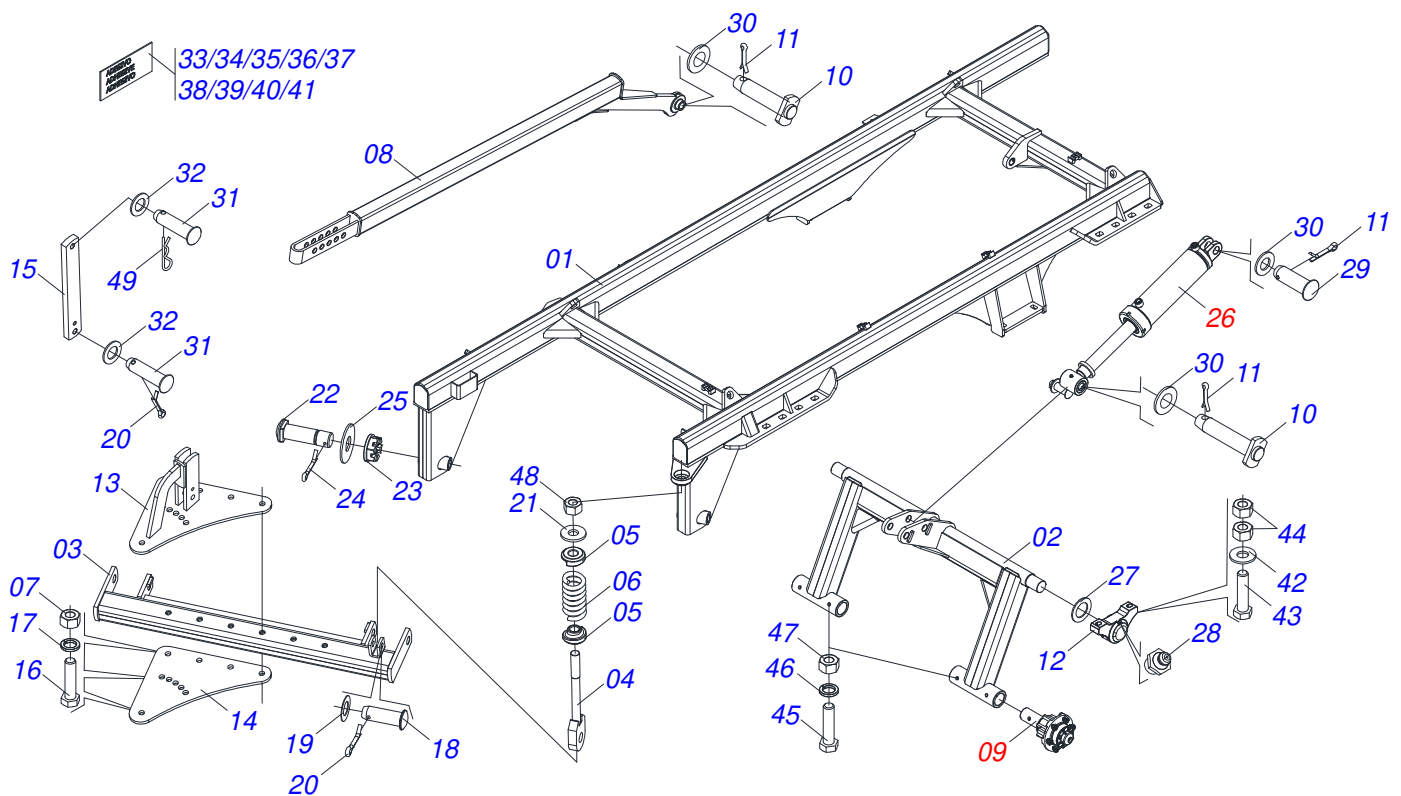
INDEX

0909095778	ASSY FRAME - 20/22/24/26/28/30D	1
0521049105	DOUBLE WHEEL FULL FRAME	2
0501054931	STUB SHAFT & HUB	3
0501051142	CARRYING WHEEL HUB	4
0511050166	50,80 X 101,60 X 561 X 251 HYDRAULIC CYLINDER	5
0521048502	ASSY TRACTION BAR	6
0521057520	HITCH ASSY	7
0503062157	HEADER JACK	8
0521055904	MANUAL STORAGE TUBE ASSY	9
0501040257	3/4 X 1200 HOSE HOLDER A	10
0503060091	L29.5"X0.63"-10L WHEEL AND	11
0909095776	GANG DISC 20/22/24/26/28/30D	12
0511047876	292 X 2.1/8" OIL BATH BEARING	13



Item	Code	Description	See page	20	22	24	26	28	30
01	0521049105	DOUBLE WHEEL FULL FRAME	2	01	01	01	01	01	01
02	0503060091	L29.5"X0.63"-10L WHEEL AND	11	02	02	02	02	02	02
03	0521048502	ASSY TRACTION BAR	6	01	01	01	01	01	01
04	0511064960	FRONT FRAME		01	00	00	00	00	00
04.	0511064962	FRONT FRAME		00	01	00	00	00	00
04..	0511064964	FRONT FRAME		00	00	01	00	00	00
04...	0511064966	FRONT FRAME		00	00	00	01	00	00
04....	0521062633	FRONT FRAME		00	00	00	00	01	00
04.....	0521062636	FRONT FRAME 30		00	00	00	00	00	01
05	0511064961	REAR FRAME		01	00	00	00	00	00
05.	0511064963	REAR FRAME		00	01	00	00	00	00
05..	0511064965	REAR FRAME		00	00	01	00	00	00
05...	0511064967	REAR FRAME		00	00	00	01	00	00
05....	0521062630	REAR FRAME 28		00	00	00	00	01	00
05.....	0521062631	REAR FRAME		00	00	00	00	00	01
06	0503015723	WRENCH WRENCH CYLINDRICAL 7/8		01	01	01	01	01	01
07	0501061617	1" GANG BOLT WRENCH		01	01	01	01	01	01
08	0501011431	1-3/4" GANG BOLT WRENCH		02	02	02	02	02	02
09	0511018451	5/8" X 3/4" X 1" UNIVERSAL		01	01	01	01	01	01
10	0551010280	253 TRANSPORT LOCK		01	01	01	01	01	01
11	0541016844	FIXER LOCK		01	01	01	01	01	01
12	0503013150	1300 X 3/8 CHAIN		01	01	01	01	01	01
13	0503062157	HEADER JACK	8	01	01	01	01	01	01
14	0521010549	COUPLING SHAFT		01	01	01	01	01	01
15	0503030285	HITCH PIN CLIP		01	01	01	01	01	01
16	0501040877	C1" X 3-1/4" ASSY BOLT		08	08	08	08	08	08
16A	0501010171	BOLT 1 UNC X 3.1/2 C S G.5		08	08	08	08	08	08
16B	0501010059	1.5/8 NUT		08	08	08	08	08	08
16C	0502012861	1" SQUARE WASHER		08	08	08	08	08	08
16D	0501010065	1" SPRING WASHER		08	08	08	08	08	08
16E	0503010012	1" SPRING WASHER		08	08	08	08	08	08

Item	Code	Description	See page	20	22	24	26	28	30
17	0521055904	MANUAL STORAGE TUBE ASSY	9	01	01	01	01	01	01
18	0501064168	REAR SCRAPER		05	06	07	08	09	08
19	0501064167	REAR SCRAPER		05	06	07	08	09	08
20	0561019424	REAR BEARING CLEANER		04	04	04	04	04	06
21	0561019423	FRONT LEVER CLEANER		04	04	04	04	04	06
22	0503011082	C1/2" X 1.3/4" SCREW		20	24	28	32	36	32
23	0511017302	FLAT WASHER		20	24	28	32	36	32
24	0503010019	1/2" SPRING WASHER		20	24	28	32	36	32
25	0503010060	1/2" NUT		20	24	28	32	36	32
26	0501069080	COUPLING SHAFT		01	01	01	01	01	01
27	0503030168	HITCH PIN CLIP		02	02	02	02	02	02
28	0501040257	3/4 X 1200 HOSE HOLDER A	10	01	01	01	01	01	01
29	0531050998	HOSE GAME		01	01	01	01	01	01
29A	0531050997	3/8 X 7000 TC-TM HOSE BLACK / BLUE		01	01	01	01	01	01
29AA	0501080477	HOSE 3/8 X 7012 TC-TM		01	01	01	01	01	01
29AB	0503034492	HYDRAULIC HOSE GRIP (BLACK)		01	01	01	01	01	01
29AC	0503034494	HYDRAULIC HOSE GRIP (BLUE)		01	01	01	01	01	01
29AD	0503018952	PLASTIC BOLT		03	03	03	03	03	03
29B	0531050996	3/8 X 6700 TC-TM HOSE BLACK / RED		01	01	01	01	01	01
29BA	0501080476	3/8" X 26" TC-TM HOSE ASSY		01	01	01	01	01	01
29BB	0503034495	HYDRAULIC HOSE GRIP (RED)		01	01	01	01	01	01
29BC	0503034492	HYDRAULIC HOSE GRIP (BLACK)		01	01	01	01	01	01
29BD	0503018952	PLASTIC BOLT		03	03	03	03	03	03
30	0502010477	HOSE CLAMP		04	04	04	04	04	04
31	0503011135	BOLT		04	04	04	04	04	04
32	0503010180	7/16" SPRING WASHER		04	04	04	04	04	04
33	0501010617	3/4" NIPPLE		02	02	02	02	02	02
34	0503010190	2-114 N 3006-9B O'RING		02	02	02	02	02	02
35	0909095776	GANG DISC 20/22/24/26/28/30D	12	01	01	01	01	01	01

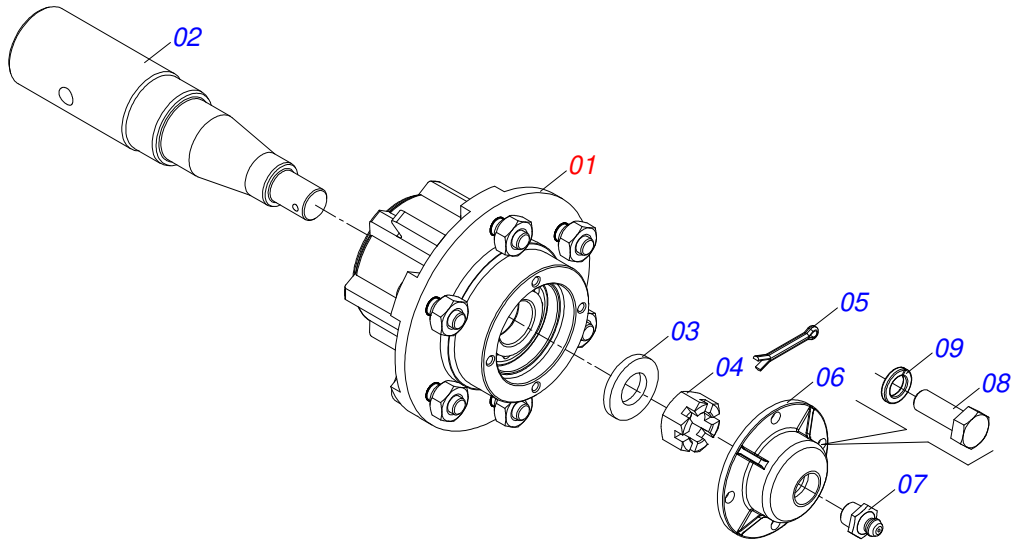


Item	Code	Description	See page	QT
001	0521069680	FRAME		01
002	0521069679	600 X 1400 WHEEL		01
003	0521062532	CONNECTION BAR 1324		01
004	0501064698	SPRING ROD		01
005	1902020393	SPRING UPPER SUPPORT		02
006	0503030441	12.7" X 5.7" X 0.5"SPRING		01
007	0501010059	1.5/8 NUT		06
008	0521069682	STABILIZING BAR 2590		01
009	0501054931	STUB SHAFT & HUB	3	04
010	0521069685	AXLE JUNCTION 31.75 X 137		02
011	0503010523	1/4" X 2" COTTERPIN		03
012	0501110856	ARTICULACION BEARING		02
013	0521069686	TOP PLATE WITH SUPPORT		01
014	0521069137	LOWER PLATE FIXING BAR TRACTION		01
015	0581019738	STABILIZING BAR TOWER 650		01
016	0501010334	1" X 7" BOLT		06
017	0503011438	SPRING WASHER		06
018	0521010592	1.1" X 3.1" COUPLING SHAFT		01
019	0561011883	FLAT WASHER		01
020	0503010571	1/4" X 1.1/2 COTTERPIN		02
021	0531016049	FLAT WASHER		01
022	0531019497	1.5" X 9.2" ARTICULATED AXIS		02
023	0501011301	1.1/2 UNC 6FPP 2.5/16 NUT		02
024	0503010010	1/4" X 2.1/2" COTTERPIN		02
025	0551012215	FLAT WASHER		02
026	0511050166	50,80 X 101,60 X 561 X 251 HYDRAULIC CYLINDER	5	01
027	0501017579	FLAT WASHER		02
028	0503010002	1800 GREASE FITTING		05
029	0521010779	31.75 X 95 COUPLING SHAFT		01
030	0501017779	32 X 60 X 4.75 FLAT WASHER		03
031	0521010576	0.9" X 3.7" COUPLING SHAFT		02

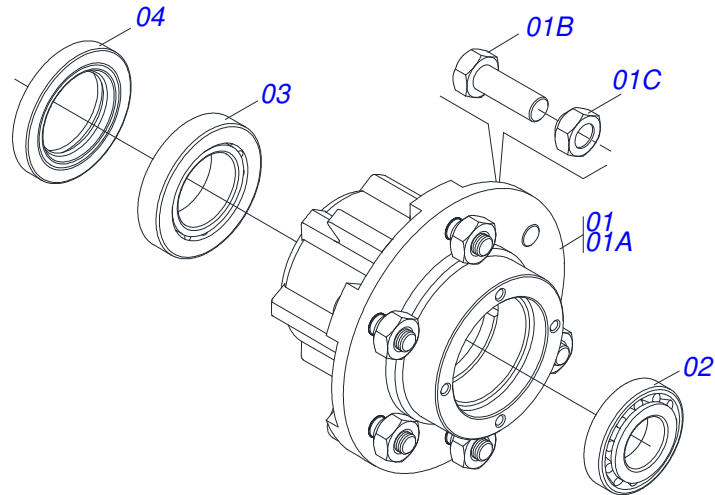
DOUBLE WHEEL FULL FRAME

0521049105

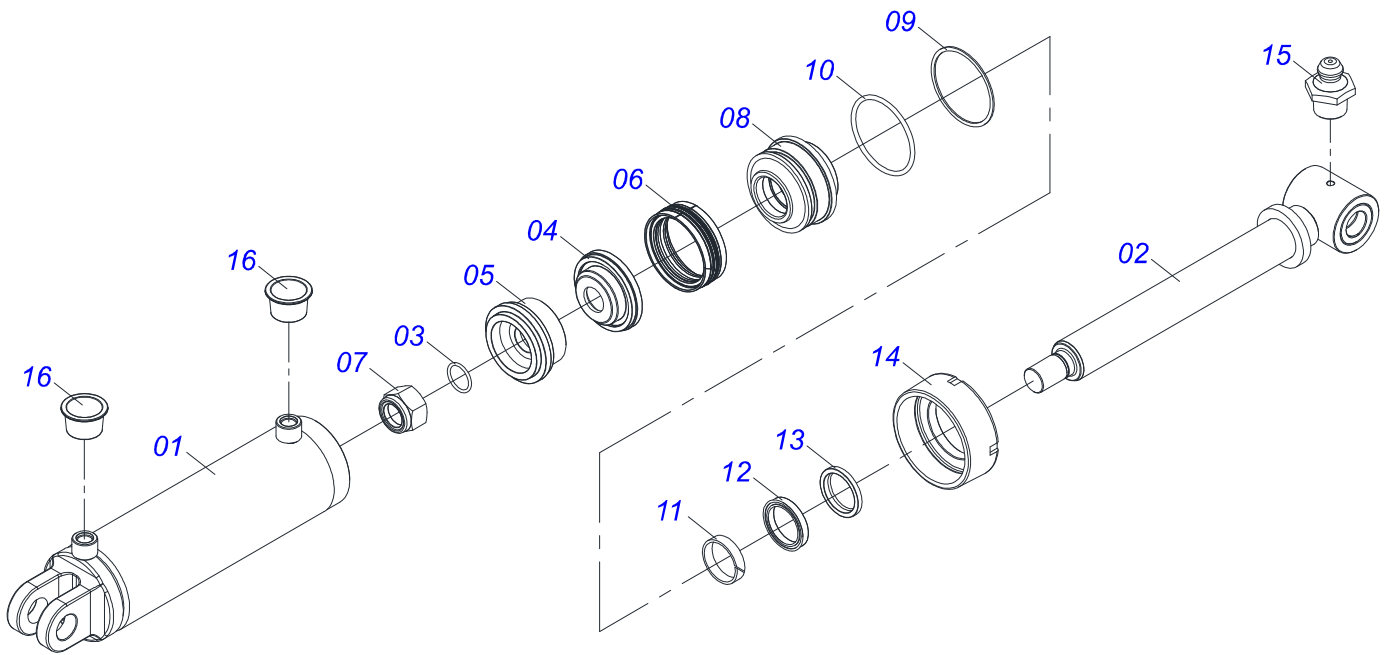
Item	Code	Description	See page	QT
032	0501011445	FLAT WASHER		02
033	0503031428	READ MANUAL DECAL		01
034	0503031087	ADHESIVE LABEL		01
035	0503031827	LUBRICATE AND RETIGHTEN DAILY DECAL		01
036	0503060824	ASSY STICKER		01
037	0503034499	HOSE IDENTIFICATION DECAL		01
038	0503034078	LIFTING POINTS DECAL		04
039	0503033038	DANGER SIGN		01
040	0503031738	ADHESIVE LABEL		01
041	0503031739	ADHESIVE LABEL		01
042	0501010322	FLAT WASHER		04
043	0503011246	3/4" X 3-1/2" BOLT		04
044	0503011075	3/4" UNC NUT		04
045	0503010706	BOLT 1/2 UNC X 4.1/2 C S G.5 ZN		04
046	0521014188	FLAT WASHER		04
047	0503010589	1/2" UNC SELF ADJUSTING NUT		04
048	0503018754	1-8 UNC NUT		01
049	0503031035	HITCH PIN CLIP		01



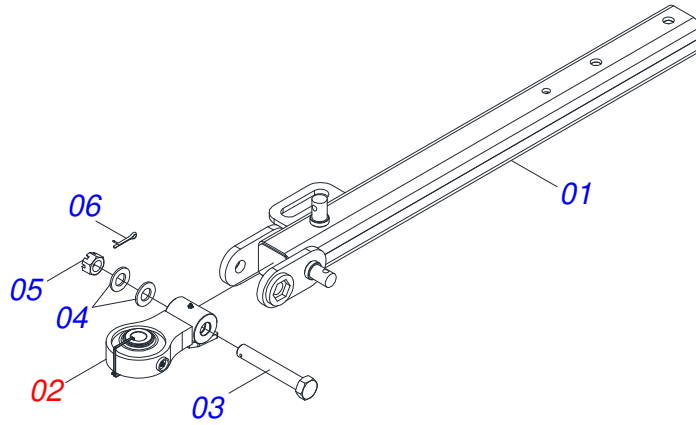
Item	Code	Description	See page	QT
01	0501051142	CARRYING WHEEL HUB	4	01
02	0541010739	2.5" X 12.2" AXLE		01
03	0501016545	FLAT WASHER		01
04	0503030009	1" CASTLE NUT		01
05	0503010018	5/32 X 1-1/2 COTTERPIN		01
06	0502020591	PROTECCION COVER		01
07	0503010002	1800 GREASE FITTING		01
08	0503010358	5/16" X 5/8" BOLT		04
09	0503011444	SPRING WASHER		04



Item	Code	Description	See page	QT
01	0501110728	WHEEL HUB		01
01A	0502011121	CARRYING WHEEL HUB		01
01B	0501010127	9/16" X 1-7/8" LUG BOLT		06
01C	0503010035	9/16" CONIC NUT		06
02	0503010037	30207 ROLLER BEARING		01
03	0503010006	32210 ROLLER BEARING		01
04	0503012928	SEAL		01

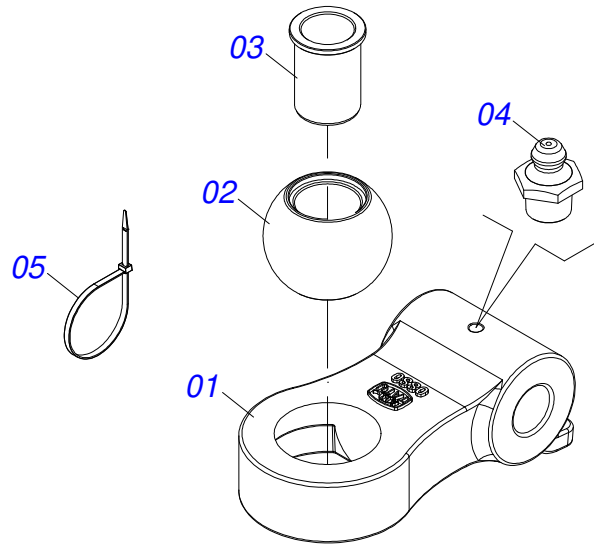


Item	Code	Description	See page	QT
01	0511066220	101,60 X 369 CYLINDER CASE		01
02	0511067445	50,8 X 452,5 TURNBUCLE		01
03	0503010345	2-218 N 3006-9B O'RING		01
04	0561016389	PISTON BODY		01
05	0561016387	PISTON BODY		01
06	0503015633	SELEMASTER SEALING		01
07	0503010817	1.1/4" SELF LOCKING NUT		01
08	0502012642	SUPPORT OF THE RINGS		01
09	0503011061	8-342 BACK-UP RING		01
10	0503010338	2-342 N 3006-9B O'RING		01
11	0503015634	RING SLYDRING		01
12	0503015635	U-CUP SEAL		01
13	0503015636	SCRAPER SEAL		01
14	0502010017	4" HEAD		01
15	0503010002	1800 GREASE FITTING		01
16	0503030384	CON PLUG N-001		02
17	0501039361R	REPAIR KIT		01



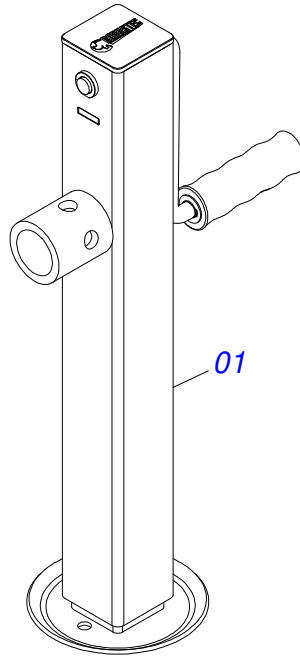
Item	Code	Description	See page	QT
01	0521069165	DRAWBAR ASSY		01
02	0521057520	HITCH ASSY	7	01
03	0581015973	1.1/4 UNC X 8 C S G5 SCREW		01
04	0501017779	32 X 60 X 4.75 FLAT WASHER		02
05	0503013026	1.1/4" CASTLE NUT		01
06	0503010010	1/4" X 2.1/2" COTTERPIN		01

HITCH ASSY

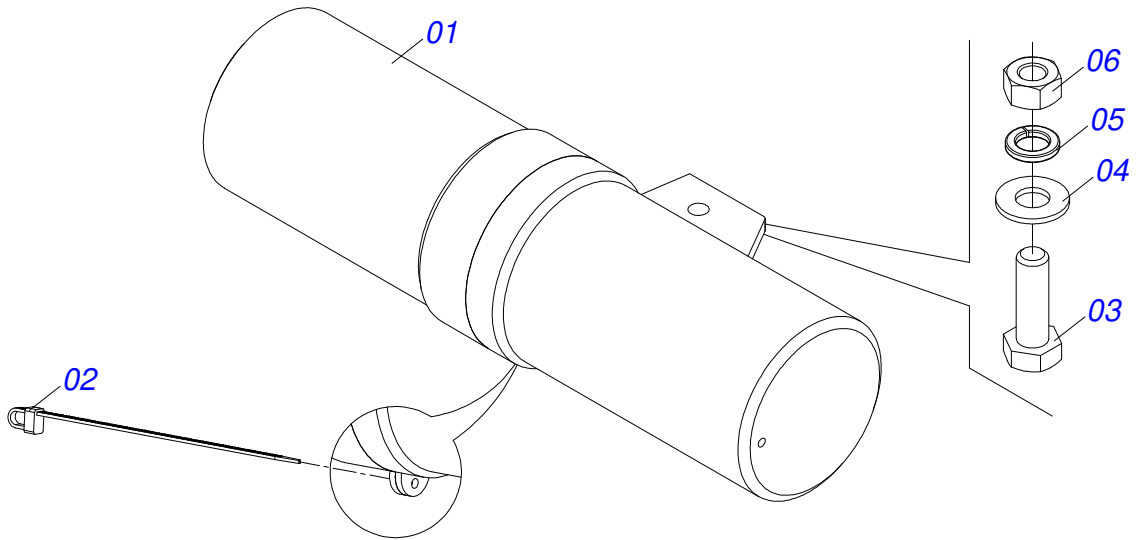


Item	Code	Description	See page	QT
01	0502040880	HITCH BODY		01
02	0502040885	BODY ATTACHMENT		01
03	0591012511	SLEEVE		01
04	0503010002	1800 GREASE FITTING		01
05	0503018829	NYLON CLAMP		01

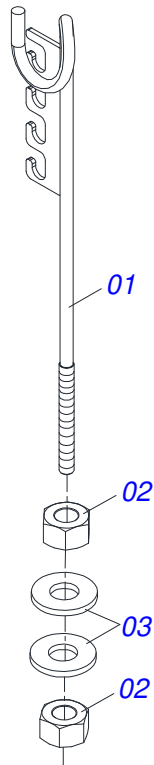
HEADER JACK



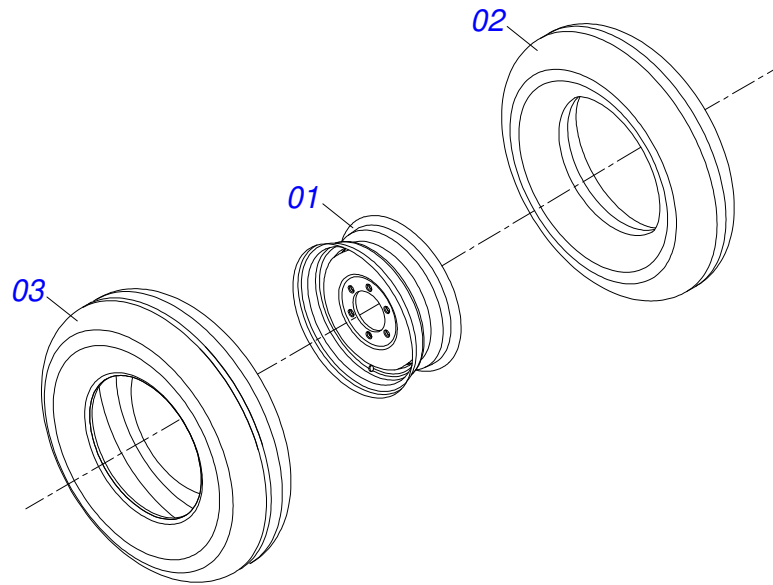
Item	Code	Description	See page	QT
01	0503062157	HEADER JACK	8	01



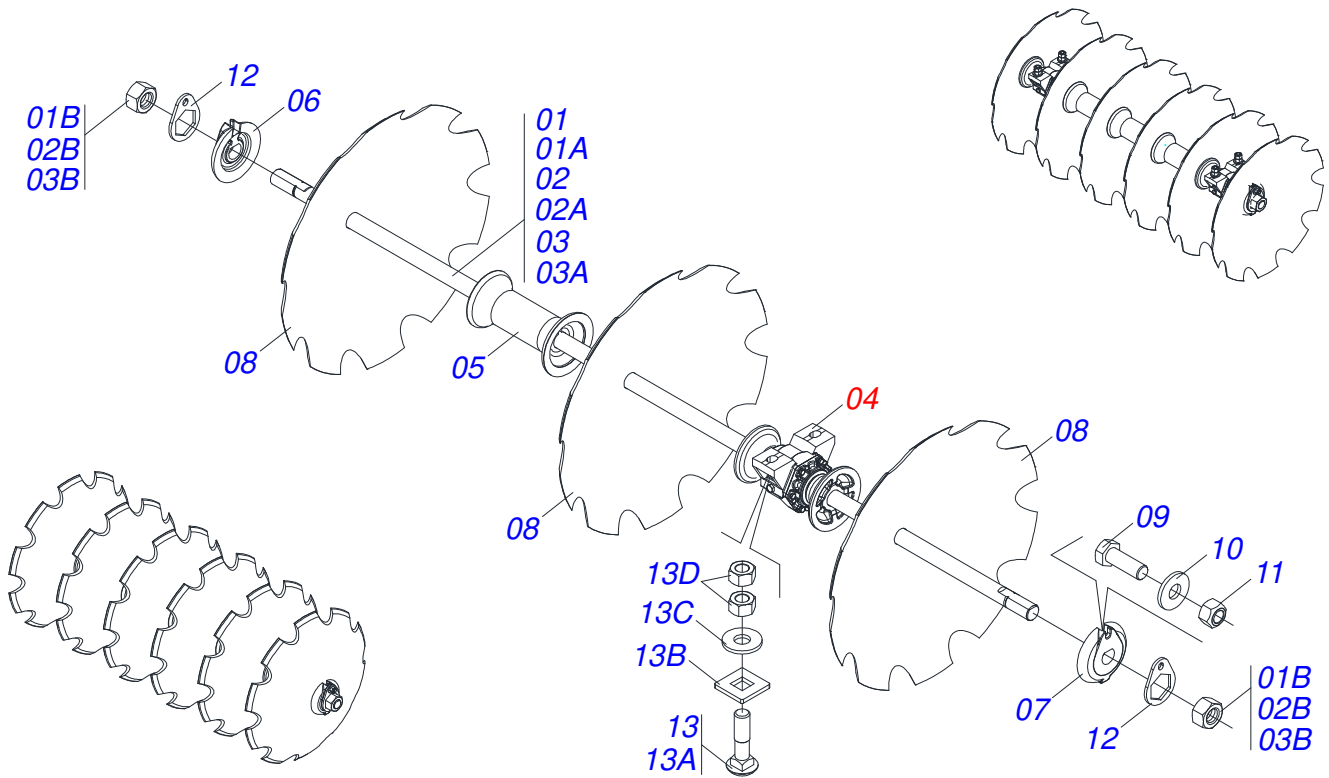
Item	Code	Description	See page	QT
01	0503060100	OPERATOR'S MANUAL STORAGE TUBE		01
02	0503010267	NYLON CLAMP		01
03	0503010363	5/16" X 1" BOLT		01
04	0501010694	FLAT WASHER		01
05	0503010179	LOCK WASHER		01
06	0503010337	5/16" NUT		01



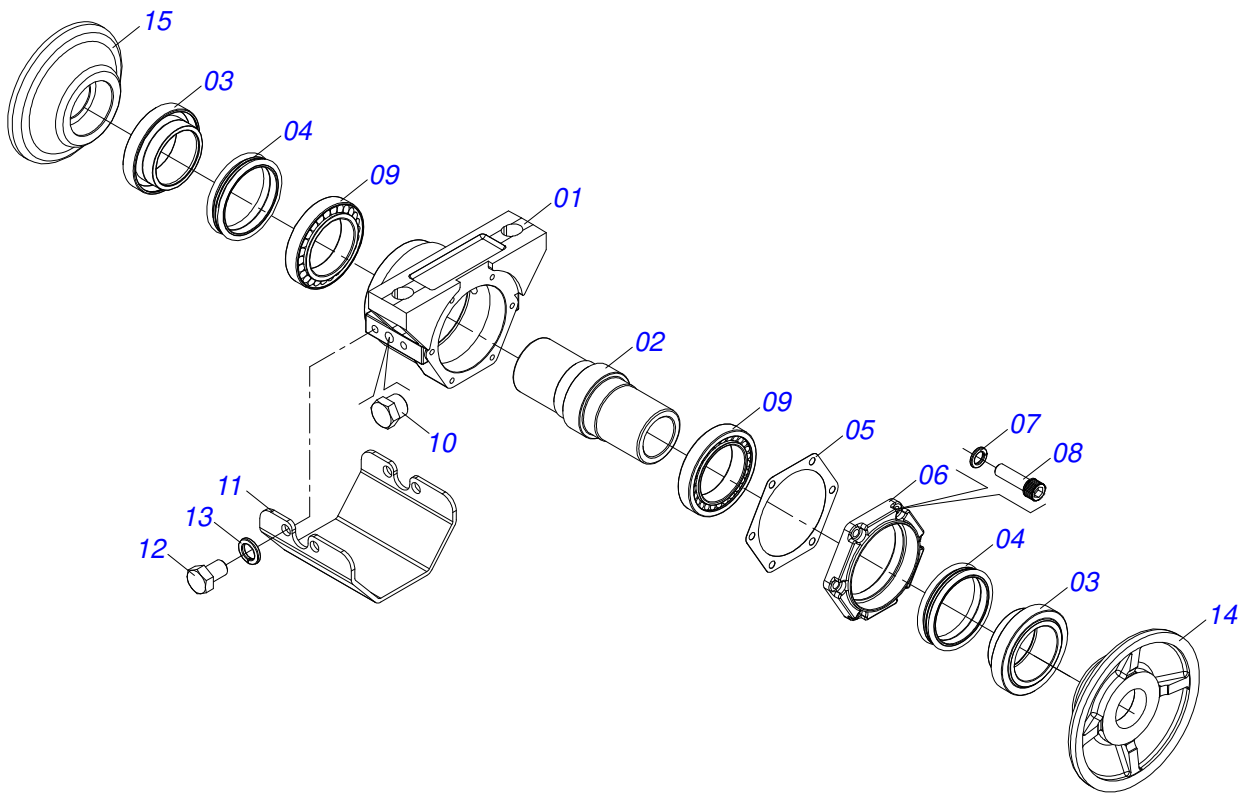
Item	Code	Description	See page	QT
01	0511067334	HOSE SOPPORT ASSY		01
02	0503010014	3/4" NUT		02
03	0501010322	FLAT WASHER		02



Item	Code	Description	See page	QT
01	0503010893	WHEEL		01
02	0503010033	7.50 X 16 INNER TIRE		01
03	0503010120	CANVAS TIRE		01



Item	Code	Description	See page	20	22	24	26	28	30
01	0511050665	2-1/8" X 1424 AXLE WITH NUTS		04	02	00	00	00	06
01A	0561015983	2-1/8" X 1424 AXLE		04	02	00	00	00	06
01B	0502040063	2.1/8" X 54 99 NUT		08	02	00	00	00	12
02	0501059852	2-1/8 X 1722 AXLE WITH NUTS		02	02	04	02	00	00
02A	0561015943	2-1/8" X 1722 AXLE		02	02	04	02	00	00
02B	0502040063	2.1/8" X 54 99 NUT		04	04	08	04	00	00
03	0501059155	2-1/8" X 2020 AXLE WITH NUTS		00	00	00	02	04	00
03A	0561013277	2-1/8" X 2020 AXLE		00	00	00	02	04	00
03B	0502040063	2.1/8" X 54 99 NUT		00	00	00	04	08	00
04	0511047876	292 X 2.1/8" OIL BATH BEARING	13	08	08	08	04	08	12
05	0502011405	292 W/H 2.1/8 SPACER		08	10	12	14	16	12
06	0502010594	2-1/8" EXTERNAL AXLE WASHER		04	04	04	04	04	06
07	0502010595	2-1/8" INNER AXLE WASHER		04	04	04	04	04	06
08	0602040001	30" X 0.3" NOTCHED DISC BLADE		20	22	24	26	28	30
09	0503010232	5/8" X 1.3/4" BOLT		08	08	08	08	08	12
10	0501012140	FLAT WASHER		08	08	08	08	08	12
11	0503012412	5/8 UNC SELF LOCKING NUT		08	08	08	08	08	12
12	0541010368	NUT LOCK		08	08	08	08	08	12
13	0511046308	7/8" NC X 4.1/2" BOLT ASSY		16	16	16	16	16	24
13A	0503012460	7/8" X 4-1/2" BOLT		16	16	16	16	16	24
13B	0521066938	BEARING SUPPORT		16	16	16	16	16	24
13C	0561013107	FLAT WASHER		16	16	16	16	16	24
13D	0503010417	7/8" NUT		32	32	32	32	32	48



Item	Code	Description	See page	QT
01	0502012482	HOUSING BEARING		01
02	0502040810	SHAFT FOR BEARING		01
03	0502040198	SEAL RETAINER		02
04	0503030028	JB-257 SEAL		02
05	0503032999	JOINT		03
06	0502012481	BOX COVER		01
07	0503011443	3/8" SPRING WASHER		06
08	0503010175	3/8" X 1-1/4" BOLT		06
09	0503010107	27687/27620 BEARING		02
10	0503010856	OIL PLUG		02
11	0551017124	PROTECTION COVER		01
12	0503011401	1/2" X 3/4" BOLT		04
13	0503010019	1/2" SPRING WASHER		04
14	0581012051	EXTERNAL DISC		01
15	0581012052	DISCO INTERNE		01



civemasa

Technical Publications | Elaboration and Revision
LUIZ CANDIDO

www.civemasa.com.br

