

**DISK HARROWS**

**GDMC 48/52/56/60/64/68/72/76/80/84D - PA**

**Code:** 0501093011

**Series:** S-0618

**Revision:** 00

**Revision Date:** MAIO/2021

# **PARTS CATALOGUE**

***CIVEMASA***

# PRODUCTS

Code	Description
0120900096	GDMC 48 X 20 X 3,50 DM MT PA S-0618
0120900097	GDMC 48 X 20 X 4,50 DM MT PA S-0618
0120900098	GDMC 48 X 22 X 3,50 DM MT PA S-0618
0120900099	GDMC 48 X 22 X 4,50 DM MT PA S-0618
0120900103	GDMC 48 X 24 X 4,50 DM DR PA S-0618
0120900100	GDMC 48 X 24 X 4,50 DM MT PA S-0618
0120900091	GDMC 52 X 20 X 3,50 DM MT PA S-0618
0120900092	GDMC 52 X 20 X 4,50 DM MT PA S-0618
0120900093	GDMC 52 X 22 X 3,50 DM MT PA S-0618
0120900101	GDMC 52 X 22 X 4,50 DM MT PA ESP S-0618
0120900094	GDMC 52 X 22 X 4,50 DM MT PA S-0618
0120900095	GDMC 52 X 24 X 4,50 DM MT PA S-0618
0120900086	GDMC 56 X 20 X 3,50 DM MT PA S-0618
0120900087	GDMC 56 X 20 X 4,50 DM MT PA S-0618
0120900088	GDMC 56 X 22 X 3,50 DM MT PA S-0618
0120900089	GDMC 56 X 22 X 4,50 DM MT PA S-0618
0120900090	GDMC 56 X 24 X 4,50 DM MT PA S-0618
0120900081	GDMC 60 X 20 X 3,50 DM MT PA S-0618
0120900082	GDMC 60 X 20 X 4,50 DM MT PA S-0618
0120900083	GDMC 60 X 22 X 3,50 DM MT PA S-0618
0120900084	GDMC 60 X 22 X 4,50 DM MT PA S-0618
0120900085	GDMC 60 X 24 X 4,50 DM MT PA S-0618
0120900076	GDMC 64 X 20 X 3,50 DM MT PA S-0618
0120900077	GDMC 64 X 20 X 4,50 DM MT PA S-0618
0120900078	GDMC 64 X 22 X 3,50 DM MT PA S-0618
0120900079	GDMC 64 X 22 X 4,50 DM MT PA S-0618
0120900080	GDMC 64 X 24 X 4,50 DM MT PA S-0618
0120900071	GDMC 68 X 20 X 3,50 DM MT PA S-0618
0120900072	GDMC 68 X 20 X 4,50 DM MT PA S-0618
0120900073	GDMC 68 X 22 X 3,50 DM MT PA S-0618

## ATTENTION: IMPORTANT

Civemasa reserves the right to improve and / or modify the technical features of its products, without obligation to do the same with those products already sold and without prior knowledge of the dealer or the consumer.



# PRODUCTS

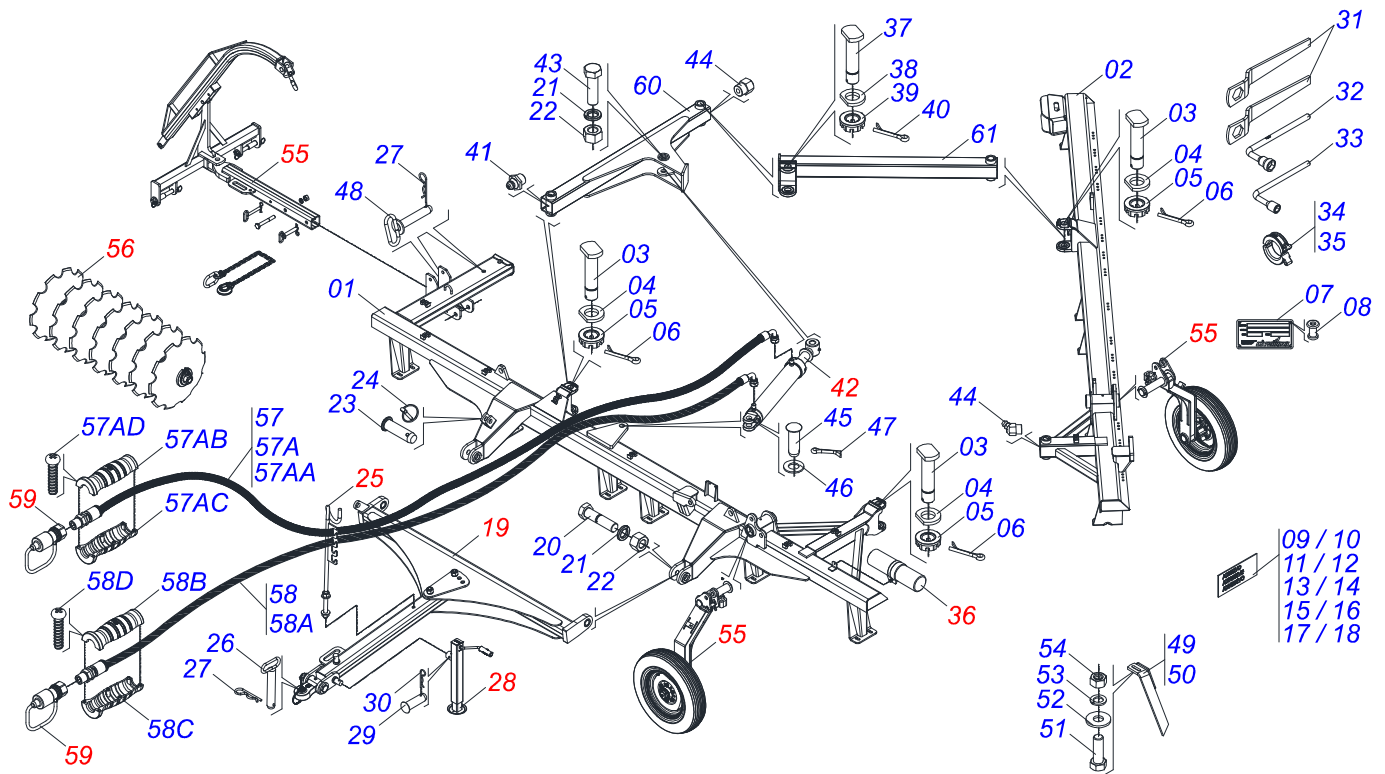
0120900074	GDMC 68 X 22X 4,50 DM MT PA S-0618
0120900075	GDMC 68 X 24X 4,50 DM MT PA S-0618
0120900064	GDMC 72 X 20 X 3,50 DM MT PA S-0618
0120900065	GDMC 72 X 20 X 4,50 DM MT PA S-0618
0120900066	GDMC 72 X 22 X 3,50 DM MT PA S-0618
0120900067	GDMC 72 X 22X 4,50 DM MT PA S-0618
0120900068	GDMC 72 X 24X 4,50 DM MT PA S-0618
0120900059	GDMC 76 X 20 X 3,50 DM MT PA S-0618
0120900060	GDMC 76 X 20 X 4,50 DM MT PA S-0618
0120900061	GDMC 76 X 22 X 3,50 DM MT PA S-0618
0120900062	GDMC 76 X 22 X 4,50 DM MT PA S-0618
0120900063	GDMC 76 X 24 X 4,50 DM MT PA S-0618
0120900054	GDMC 80 X 20 X 3,50 DM MT PA S-0618
0120900055	GDMC 80 X 20 X 4,50 DM MT PA S-0618
0120900056	GDMC 80 X 22 X 3,50 DM MT PA S-0618
0120900057	GDMC 80 X 22 X 4,50 DM MT PA S-0618
0120900058	GDMC 80 X 24 X 4,50 DM MT PA S-0618
0120900049	GDMC 84 X 20 X 3,50 DM MT PA S-0618
0120900050	GDMC 84 X 20 X 4,50 DM MT PA S-0618
0120900051	GDMC 84 X 22 X 3,50 DM MT PA S-0618
0120900052	GDMC 84 X 22 X 4,50 DM MT PA S-0618
0120900053	GDMC 84 X 24 X 4,50 DM MT PA S-0618

## ATTENTION: IMPORTANT

Civemasa reserves the right to improve and / or modify the technical features of its products, without obligation to do the same with those products already sold and without prior knowledge of the dealer or the consumer.

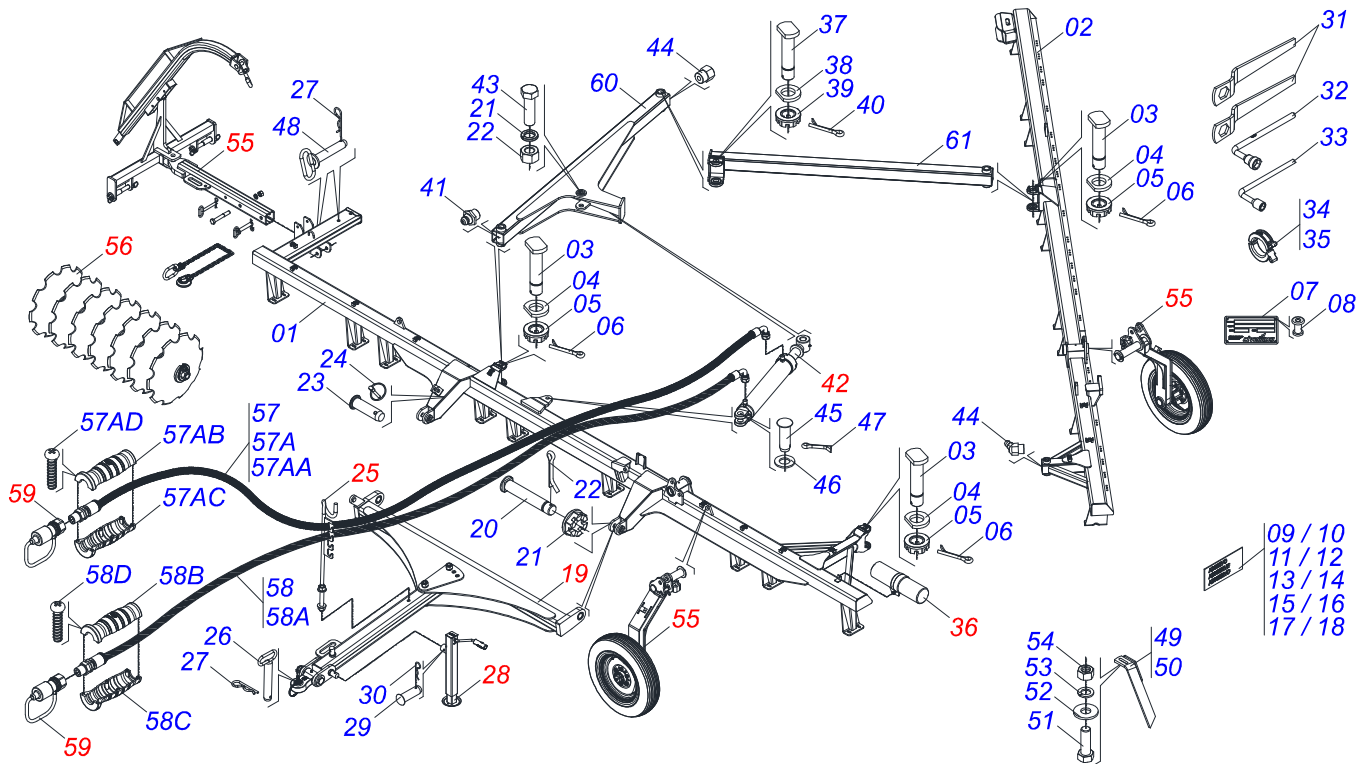
# INDEX

0909095761	ASSY FRAME - 48/52/56/60D	.....	1
0909095762	ASSY FRAME - 64/68/72/76/80/84D	.....	2
0521049348	ASSY HEADER - 36 TO 48D	.....	3
0531040066	FULL HEADER	.....	4
0521048502	ASSY TRACTION BAR	.....	5
0521057520	HITCH ASSY	.....	6
0521042319	ASSY HEADER	.....	7
0501040257	3/4 X 1200 HOSE HOLDER A	.....	8
0503062157	HEADER JACK	.....	9
0521054776	ASSY MANUAL DOOR	.....	10
0511058461	HYDRAULIC CYLINDER	.....	11
0909095763	COMPLETE MECHANICAL LIFTING ASSY	.....	12
0503060091	L29.5"X0.63"-10L WHEEL AND	.....	13
0521048125	WHEELS ASSY	.....	14
0521052217	ASSY WHEEL CUBE	.....	15
0501051142	CARRYING WHEEL HUB	.....	16
0909095764	GANG DISC - 48/52/56/60D	.....	17
0909095765	GANG DISC - 64/68/72/78/80/84D	.....	18
0501047055	BEARING	.....	19
0501053834	MALE QUICK COUPLER WITH CAP - 1/2 NPT	.....	20



Item	Code	Description	See page	048	052	056	060
01	0521069252	FRONT FRAME GN/GNM/GNH 48D		001	000	000	000
01.	0521069251	FRONT FRAME GN/GNM/GNH 52D		000	001	000	000
01..	0521069245	FRONT FRAME GN/GNM/GNH 56D		000	000	001	000
01...	0521069240	FRONT FRAME GN/GNM/GNH 60D		000	000	000	001
02	0521069253	REAR FRAME GDC/GDMC/GDHC 48D		001	000	000	000
02.	0521069911	REAR FRAME GDC/GDMC/GDHC 52D		000	001	000	000
02..	0521069246	REAR FRAME GDC/GDMC/GDHC 56D		000	000	001	000
02...	0521069243	REAR FRAME GDC/GDMC/GDHC 60D		000	000	000	001
03	0531019497	1.5" X 9.2" ARTICULATED AXIS		003	003	003	003
04	0531019540	FLAT WASHER		003	003	003	003
05	0501011301	1.1/2 UNC 6FPP 2.5/16 NUT		003	003	003	003
06	0503010010	1/4" X 2.1/2" COTTERPIN		003	003	003	003
07	0503034004	ALUMINUM IDENTIFICATION LABEL		001	001	001	001
08	0503010001	3.2 X 5.5 RIVET		004	004	004	004
09	0503031739	ADHESIVE LABEL		001	001	001	001
10	0503034438	ADHESIVE LABEL		001	001	001	001
11	0503033038	DANGER SIGN		001	001	001	001
12	0503034078	LIFTING POINTS DECAL		004	004	004	004
13	0503034499	HOSE IDENTIFICATION DECAL		001	001	001	001
14	0503031827	LUBRICATE AND RETIGHTEN DAILY DECAL		001	001	001	001
15	0503031087	ADHESIVE LABEL		001	001	001	001
16	0503031428	READ MANUAL DECAL		001	001	001	001
17	0503034569	ADHESIVE LABEL		002	002	002	002
18	0503034022	ADHESIVE LABEL LOGO TATU 60X80		002	002	002	002
19	0521049348	ASSY HEADER - 36 TO 48D	3	001	000	000	000
19.	0531040066	FULL HEADER	4	000	001	001	001
20	0501010426	1-1/4" X 6" SCREW		002	002	002	002
21	0503010070	SPRING WASHER		003	003	003	003
22	0501010087	1.1/4" NUT		003	003	003	003
23	0501019002	JUNCTION SHAFT		001	001	001	001
24	0503030085	LOCK PIN		001	001	001	001

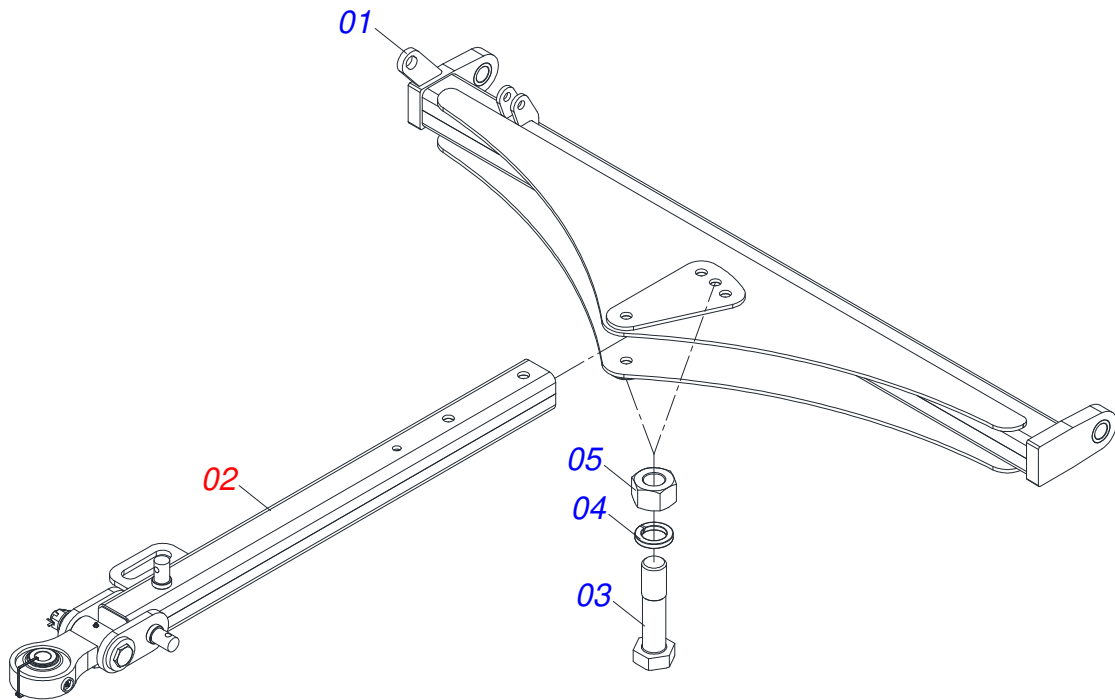
Item	Code	Description	See page	048	052	056	060
25	0501040257	3/4 X 1200 HOSE HOLDER A	8	001	001	001	001
26	0501069080	COUPLING SHAFT		001	001	001	001
27	0503031035	HAIR PIN		003	003	003	003
28	0503062157	HEADER JACK	9	001	001	001	001
29	0521010549	COUPLING SHAFT		001	001	001	001
30	0503030168	HAIR PIN		001	001	001	001
31	0501011432	1-1/2" AND 1-5/8 GANG BOLT WRENCH		002	002	002	002
32	0501061617	1" GANG BOLT WRENCH		001	001	001	001
33	0501068273	5/8" WRENCH		001	001	001	001
34	0501047895	ROD STOP		006	006	006	006
35	0501047885	ROD STOP		004	004	004	004
36	0521054776	ASSY MANUAL DOOR	10	001	001	001	001
37	0531019497	1.5" X 9.2" ARTICULATED AXIS		001	001	001	001
38	0531019540	FLAT WASHER		001	001	001	001
39	0501011301	1.1/2 UNC 6FPP 2.5/16 NUT		001	001	001	001
40	0503010010	1/4" X 2.1/2" COTTERPIN		001	001	001	001
41	0503010002	1800 GREASE FITTING		002	002	002	002
42	0511058461	HYDRAULIC CYLINDER	11	001	001	001	001
43	0501011106	1-1/4" X 7" SCREW		001	001	001	001
44	0503010003	1845 GREASE FITTING		002	002	002	002
45	0521010779	31.75 X 95 COUPLING SHAFT		001	001	001	001
46	0501017779	32 X 60 X 4.75 FLAT WASHER		001	001	001	001
47	0503010523	1/4" X 2" COTTERPIN		001	001	001	001
48	0521067644	JUNCTION SHAFT		002	002	002	002
49	0501063963	FRONT SCRAPER		017	019	021	023
50	0501063962	REAR SCRAPER		017	019	021	023
51	0503011082	C1/2" X 1.3/4" SCREW		068	076	084	092
52	0511017302	FLAT WASHER		068	076	084	092
53	0503010019	1/2" SPRING WASHER		068	076	084	092
54	0503010060	1/2" NUT		068	076	084	092
55	0909095763	COMPLETE MECHANICAL LIFTING ASSY	12	001	001	001	001
56	0909095764	GANG DISC - 48/52/56/60D	17	001	001	001	001
57	0521053412	HOSE KIT		001	001	001	001
57A	0521053413	3/8" X 177" TC-TM HOSE		001	001	001	001
57AA	0501080362	3/8" X 177" TC-TM HOSE		001	001	001	001
57AB	0503034491	HYDRAULIC HOSE GRIP (PURPLE)		001	001	001	001
57AC	0503034495	HYDRAULIC HOSE GRIP (RED)		001	001	001	001
57AD	0503018952	PLASTIC BOLT		006	006	006	006
58	0521053414	3/8" X 177 TC-TM HOSE		001	001	001	001
58A	0501080362	3/8" X 177" TC-TM HOSE		001	001	001	001
58B	0503034491	HYDRAULIC HOSE GRIP (PURPLE)		001	001	001	001
58C	0503034494	HYDRAULIC HOSE GRIP (BLUE)		001	001	001	001
58D	0503018952	PLASTIC BOLT		006	006	006	006
59	0501053834	MALE QUICK COUPLER WITH CAP - 1/2 NPT	20	002	002	002	002
60	0521068803	FRONT STABILIZER BAR		001	001	001	001
61	0521068804	REAR STABILIZER BAR		001	001	001	001



Item	Code	Description	See page	064	068	072	076	080	084
01	0521069258	FRONT FRAME - 64D		001	000	000	000	000	000
01.	0521069283	FRONT FRAME - 68D		000	001	000	000	000	000
01..	0521069286	FRONT FRAME - 72D		000	000	001	000	000	000
01...	0521068990	FRONT FRAME - 76D		000	000	000	001	000	000
01....	0521069230	FRONT FRAME - 80D		000	000	000	000	001	000
01.....	0521069225	FRONT FRAME - 84D		000	000	000	000	000	001
02	0521069255	REAR FRAME - 64D		001	000	000	000	000	000
02.	0521069257	REAR FRAME - 64D		000	001	000	000	000	000
02..	0521069284	REAR FRAME - 72D		000	000	001	000	000	000
02...	0521068993	REAR FRAME - 76D		000	000	000	001	000	000
02....	0521069233	REAR FRAME - 80D		000	000	000	000	001	000
02.....	0521069224	REAR FRAME - 84D		000	000	000	000	000	001
03	0531019497	1.5" X 9.2" ARTICULATED AXIS		003	003	003	003	003	003
04	0531019540	FLAT WASHER		003	003	003	003	003	003
05	0501011301	1.1/2 UNC 6FPP 2.5/16 NUT		003	003	003	003	003	003
06	0503010010	1/4" X 2.1/2" COTTERPIN		003	003	003	003	003	003
07	0503034004	ALUMINUM IDENTIFICATION LABEL		001	001	001	001	001	001
08	0503010001	3.2 X 5.5 RIVET		004	004	004	004	004	004
09	0503031739	ADHESIVE LABEL		001	001	001	001	001	001
10	0503034438	ADHESIVE LABEL		001	001	001	001	001	001
11	0503033038	DANGER SIGN		001	001	001	001	001	001
12	0503034078	LIFTING POINTS DECAL		004	004	004	004	004	004
13	0503034499	HOSE IDENTIFICATION DECAL		001	001	001	001	001	001
14	0503031827	LUBRICATE AND RETIGHTEN DAILY DECAL		001	001	001	001	001	001
15	0503031087	ADHESIVE LABEL		001	001	001	001	001	001
16	0503031428	READ MANUAL DECAL		001	001	001	001	001	001
17	0503034569	ADHESIVE LABEL		002	002	002	002	002	002
18	0503034022	ADHESIVE LABEL LOGO TATU 60X80		002	002	002	002	002	002
19	0521042319	ASSY HEADER	7	001	001	001	001	001	001
20	0551013708	COUPLING SHAFT		002	002	002	002	002	002
21	0501011301	1.1/2 UNC 6FPP 2.5/16 NUT		003	003	003	003	003	003

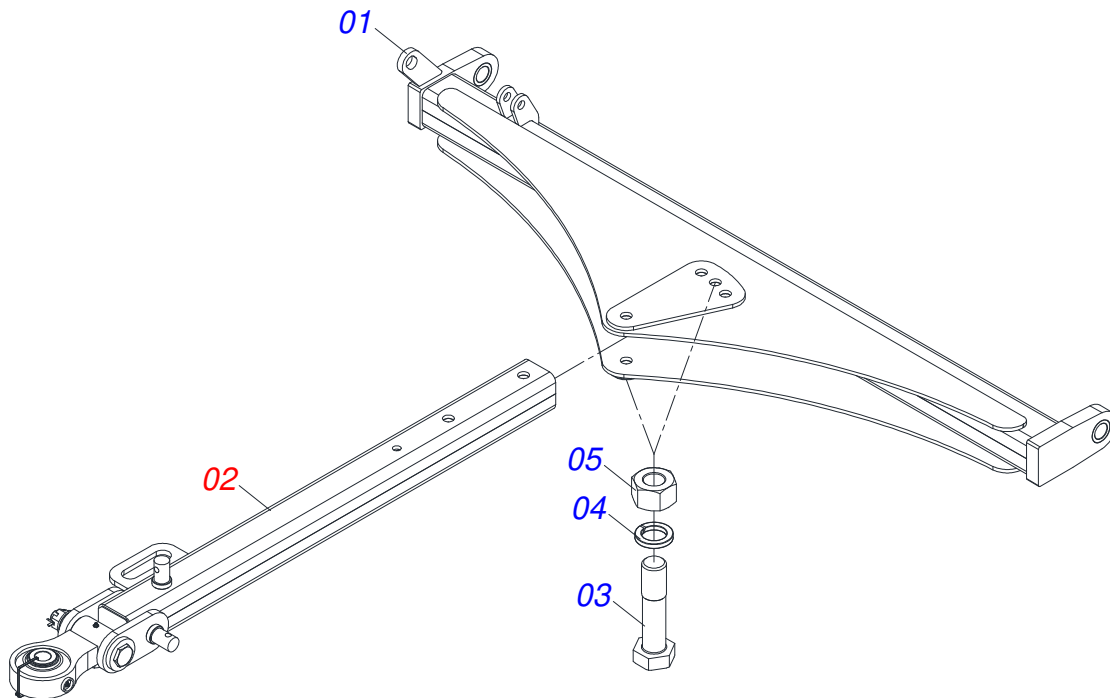
Item	Code	Description	See page	064	068	072	076	080	084
22	0503010010	1/4" X 2.1/2" COTTERPIN		003	003	003	003	003	003
23	0501019002	JUNCTION SHAFT		001	001	001	001	001	001
24	0503030085	LOCK PIN		001	001	001	001	001	001
25	0501040257	3/4 X 1200 HOSE HOLDER A	8	001	001	001	001	001	001
26	0501069080	COUPLING SHAFT		001	001	001	001	001	001
27	0503031035	HAIR PIN		003	003	003	003	003	003
28	0503062157	HEADER JACK	9	001	001	001	001	001	001
29	0521010549	COUPLING SHAFT		001	001	001	001	001	001
30	0503030168	HAIR PIN		001	001	001	001	001	001
31	0501011432	1-1/2" AND 1-5/8 GANG BOLT WRENCH		002	002	002	002	002	002
32	0501061617	1" GANG BOLT WRENCH		001	001	001	001	001	001
33	0501068273	5/8" WRENCH		001	001	001	001	001	001
34	0501047895	ROD STOP		006	006	006	006	006	006
35	0501047885	ROD STOP		004	004	004	004	004	004
36	0521054776	ASSY MANUAL DOOR	10	001	001	001	001	001	001
37	0531019497	1.5" X 9.2" ARTICULATED AXIS		001	001	001	001	001	001
38	0531019540	FLAT WASHER		001	001	001	001	001	001
39	0501011301	1.1/2 UNC 6FPP 2.5/16 NUT		001	001	001	001	001	001
40	0503010010	1/4" X 2.1/2" COTTERPIN		001	001	001	001	001	001
41	0503010002	1800 GREASE FITTING		002	002	002	002	002	002
42	0511058461	HYDRAULIC CYLINDER	11	001	001	001	001	001	001
43	0501011106	1-1/4" X 7" SCREW		001	001	001	001	001	001
44	0503010003	1845 GREASE FITTING		002	002	002	002	002	002
45	0521010779	31.75 X 95 COUPLING SHAFT		001	001	001	001	001	001
46	0501017779	32 X 60 X 4.75 FLAT WASHER		001	001	001	001	001	001
47	0503010523	1/4" X 2" COTTERPIN		001	001	001	001	001	001
48	0521067644	JUNCTION SHAFT		002	002	002	002	002	002
49	0501063963	FRONT SCRAPER		023	025	027	027	029	029
50	0501063962	REAR SCRAPER		023	025	027	027	029	029
51	0503011082	C1/2" X 1.3/4" SCREW		092	100	108	108	116	116
52	0511017302	FLAT WASHER		092	100	108	108	116	116
53	0503010019	1/2" SPRING WASHER		092	100	108	108	116	116
54	0503010060	1/2" NUT		092	100	108	108	116	116
55	0909095763	COMPLETE MECHANICAL LIFTING ASSY	12	001	001	001	001	001	001
56	0909095765	GANG DISC - 64/68/72/78/80/84D	18	001	001	001	001	001	001
57	0521053412	HOSE KIT		001	001	001	001	001	001
57A	0521053414	3/8" X 177 TC-TM HOSE		001	001	001	001	001	001
57AA	0501080362	3/8" X 177" TC-TM HOSE		001	001	001	001	001	001
57AB	0503034491	HYDRAULIC HOSE GRIP (PURPLE)		001	001	001	001	001	001
57AC	0503034494	HYDRAULIC HOSE GRIP (BLUE)		001	001	001	001	001	001
57AD	0503018952	PLASTIC BOLT		006	006	006	006	006	006
58	0521053413	3/8" X 177" TC-TM HOSE		001	001	001	001	001	001
58A	0501080362	3/8" X 177" TC-TM HOSE		001	001	001	001	001	001
58B	0503034491	HYDRAULIC HOSE GRIP (PURPLE)		001	001	001	001	001	001
58C	0503034495	HYDRAULIC HOSE GRIP (RED)		001	001	001	001	001	001
58D	0503018952	PLASTIC BOLT		006	006	006	006	006	006
59	0501053834	MALE QUICK COUPLER WITH CAP - 1/2 NPT	20	002	002	002	002	002	002
60	0521065407	FRONT STABILIZER BAR		001	001	001	000	000	000
60.	0521069184	FRONT STABILIZER BAR		000	000	000	001	001	001
61	0521065406	REAR STABILIZER BAR		001	001	001	000	000	000
61.	0521069193	REAR STABILIZER BAR		000	000	000	001	001	001



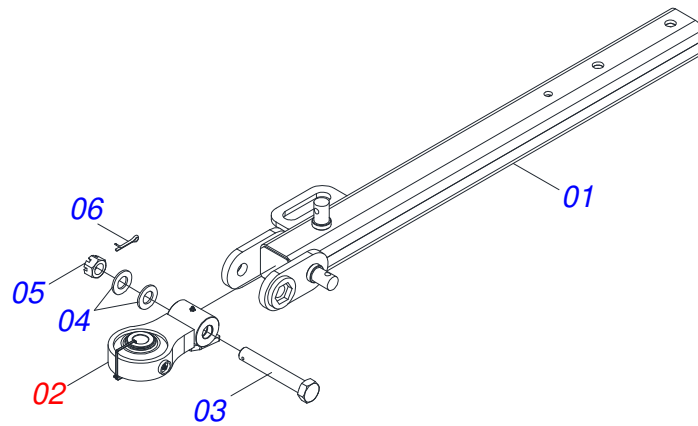


Item	Code	Description	See page	QT
01	0521069308	HITCH BAR (1976)		01
02	0521048502	ASSY TRACTION BAR	5	01
03	0501010334	1" X 7" BOLT		02
04	0503011438	SPRING WASHER		02
05	0501010059	1.5/8 NUT		02

**FULL HEADER**

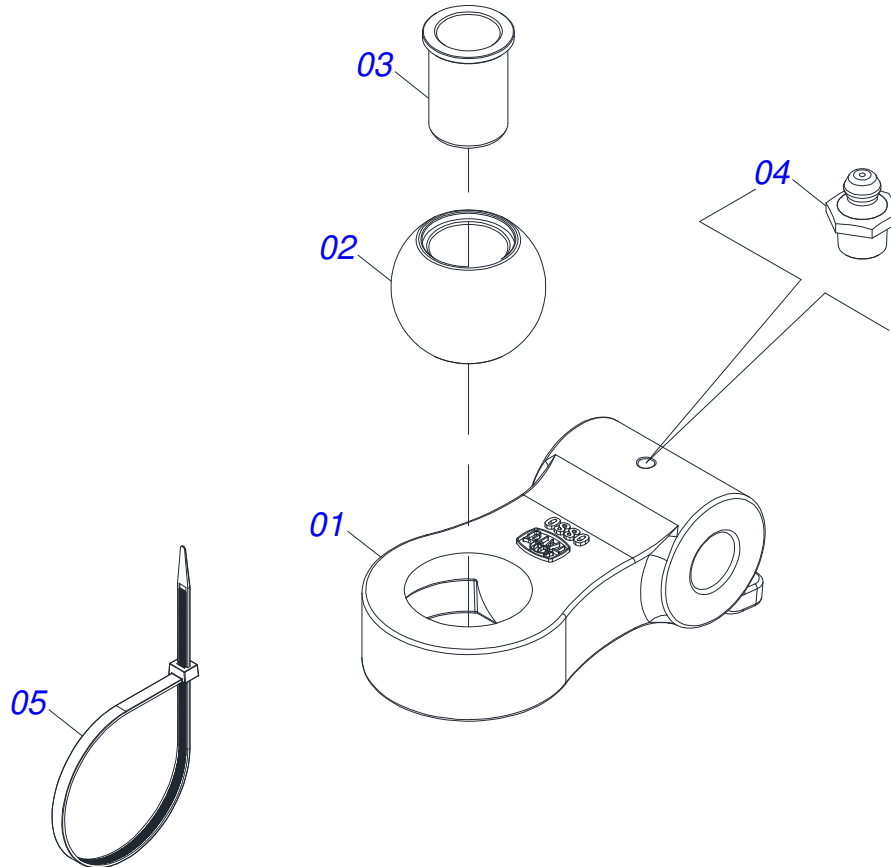


Item	Code	Description	See page	QT
01	0531062335	CONNECTION BAR 2370 X 683.5		01
02	0521048502	ASSY TRACTION BAR	5	01
03	0501010334	1" X 7" BOLT		02
04	0503010012	1" SPRING WASHER		02
05	0501010059	1.5/8 NUT		02



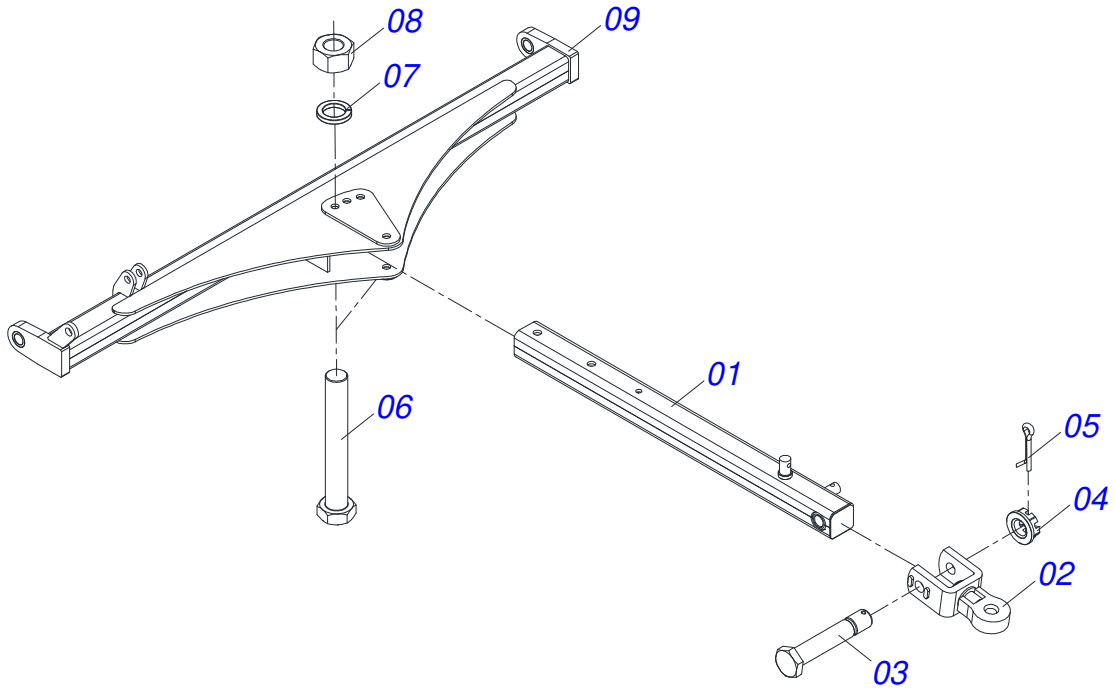
Item	Code	Description	See page	QT
01	0521069165	DRAWBAR ASSY		01
02	0521057520	HITCH ASSY	6	01
03	0581015973	1.1/4 UNC X 8 C S G5 SCREW		01
04	0501017779	32 X 60 X 4.75 FLAT WASHER		02
05	0503013026	1.1/4" CASTLE NUT		01
06	0503010010	1/4" X 2.1/2" COTTERPIN		01

**HITCH ASSY**

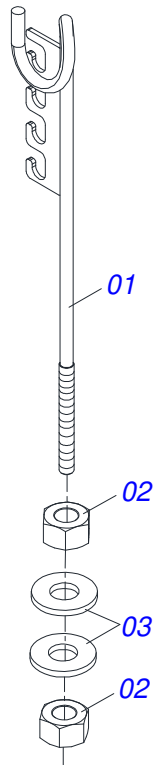


Item	Code	Description	See page	QT
01	0502040880	HITCH BODY		01
02	0502040885	BODY ATTACHMENT		01
03	0591012511	SLEEVE		01
04	0503010002	1800 GREASE FITTING		01
05	0503018829	NYLON CLAMP		01

**ASSY HEADER**



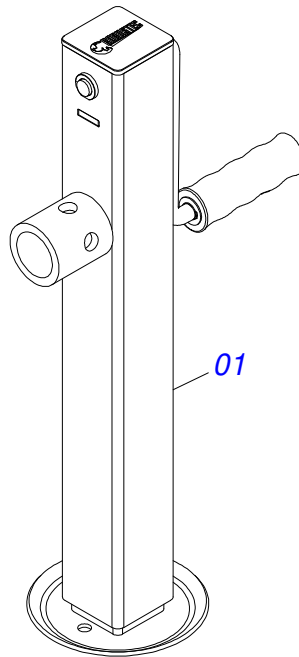
Item	Code	Description	See page	QT
01	0501066715	DRAWBAR ASSY		01
02	0501062869	TRACTOR HITCH		01
03	0501017291	1-1/2" X 8.1" BOLT		01
04	0501011301	1.1/2 UNC 6FPP 2.5/16 NUT		01
05	0503010010	1/4" X 2.1/2" COTTERPIN		01
06	0501010334	1" X 7" BOLT		02
07	0503011438	SPRING WASHER		02
08	0501010059	1.5/8 NUT		02
09	0521064097	OFFSET BAR		01



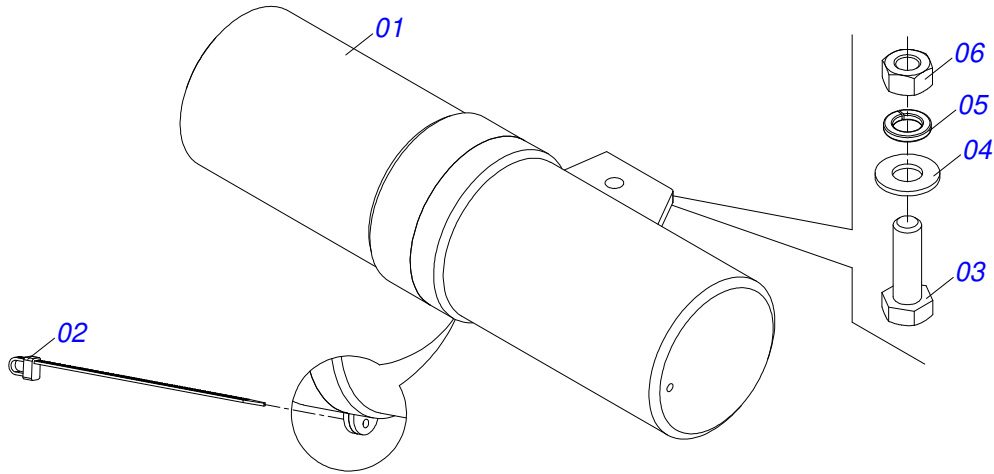
Item	Code	Description	See page	QT
01	0511067334	HOSE SOPPORT ASSY		01
02	0503010014	3/4" NUT		02
03	0501010322	FLAT WASHER		02

**HEADER JACK**

0503062157

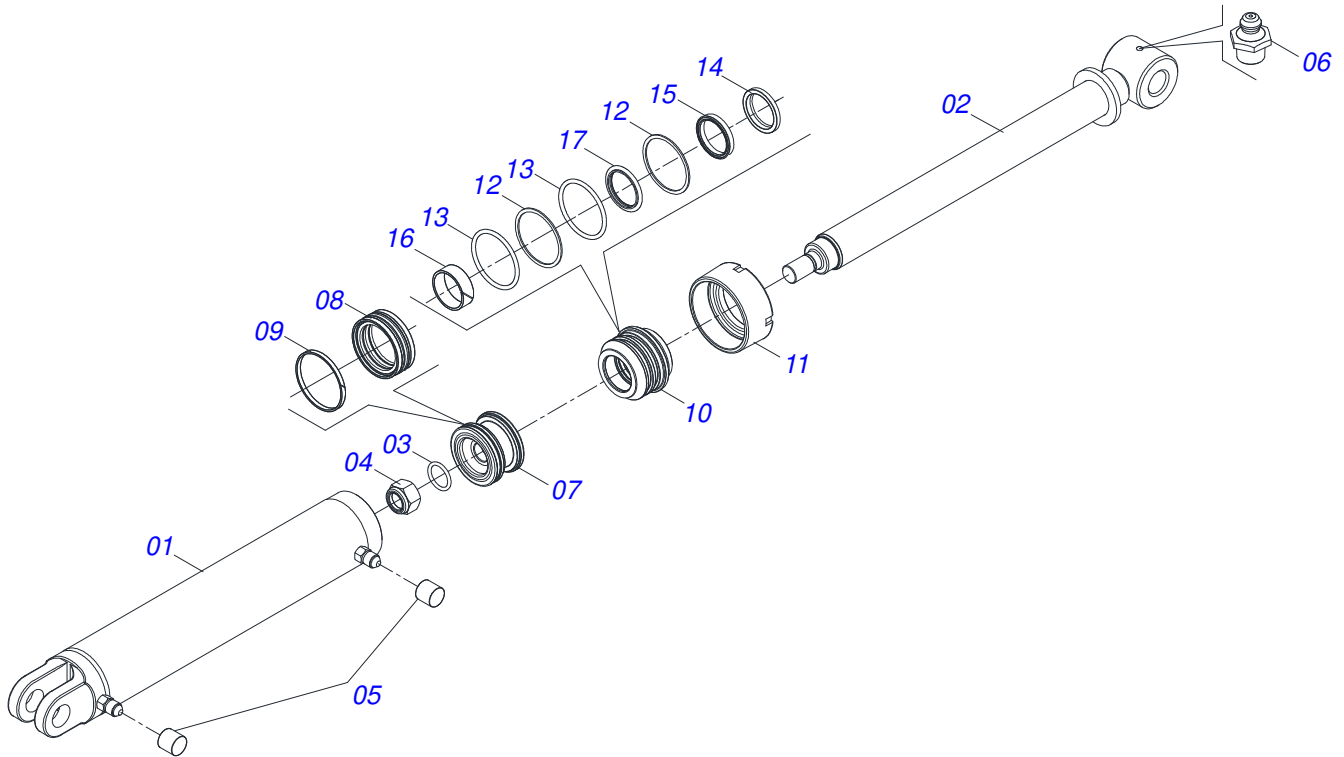


Item	Code	Description	See page	QT
01	0503062157	HEADER JACK	9	01



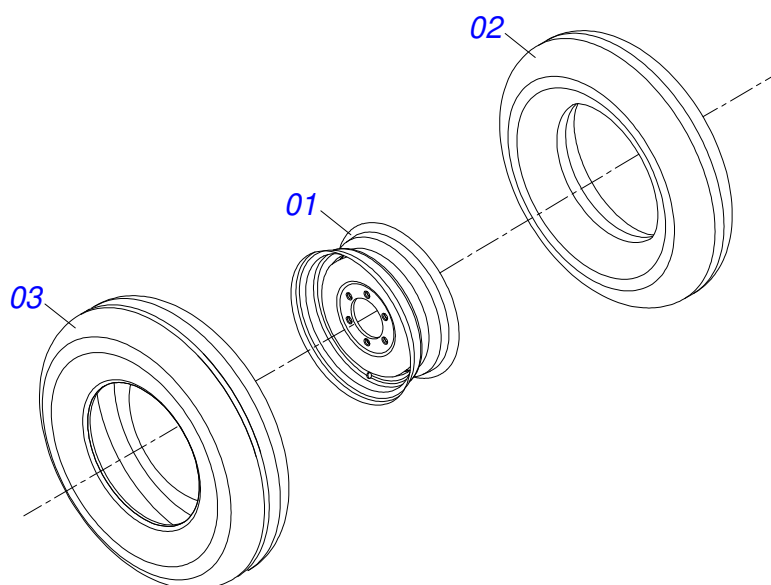
Item	Code	Description	See page	QT
01	0503060100	OPERATOR'S MANUAL STORAGE TUBE		01
02	0503010267	NYLON CLAMP		01
03	0503010363	5/16" X 1" BOLT		01
04	0501010694	8.5 X 18 X 1.5 FLAT WASHER		01
05	0503010179	5/16" ZN SPRING WASHER		01
06	0503010337	5/16" NUT		01





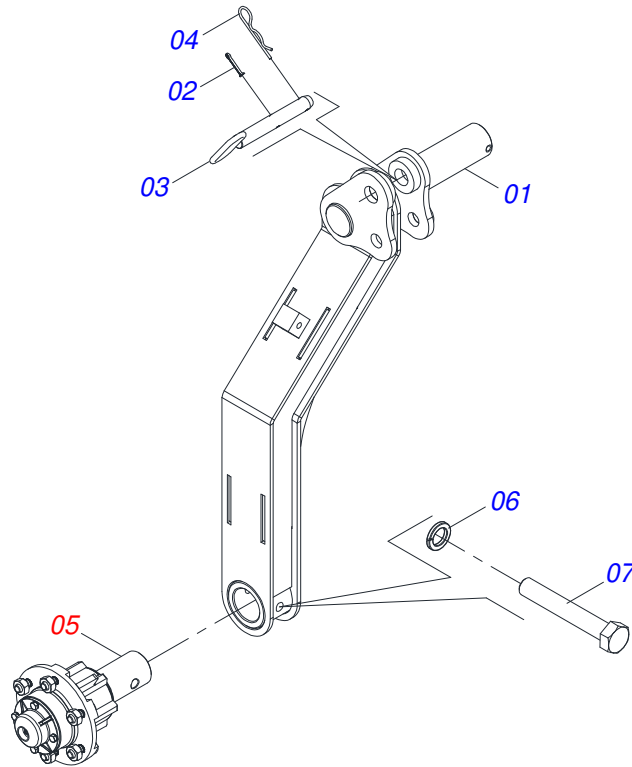
Item	Code	Description	See page	QT
01	0521063982	CYLINDER CASE		01
02	0521067533	50,80 X 697 EXTENSOR		01
03	0503010042	2-214 N 3006-9B O'RING		01
04	0503010063	1" SELF-ALIGNING NUT		01
05	0503030385	CYLINDER PLUG N-002		02
06	0503010002	1800 GREASE FITTING		01
07	0571019710	1.7" X 3.4" PISTON		01
08	0503017935	RING		01
09	0503018144	RING		01
10	0581013228	50,80 X 85,72 SUPPORT RINGS		01
11	0581013227	85,72 MOVE COVER		01
12	0503017940	8-337 BACK-UP RING		02
13	0503017939	2-337 N 3006-9B O' RING		02
14	0503010039	D-2000 SCRAPER RING		01
15	0503018026	1870-2000-375 B GASKET		01
16	0503018025	RING GUIDE		01
17	0503018024	RING BS		01



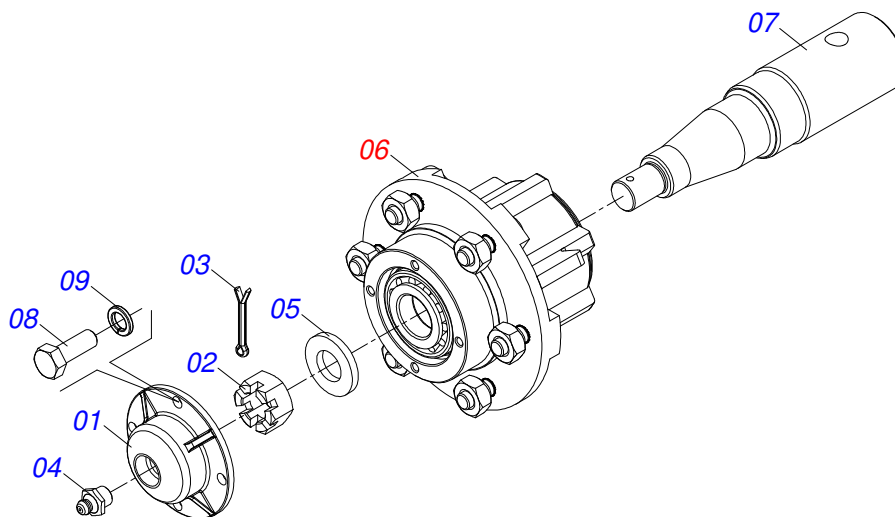


Item	Code	Description	See page	QT
01	0503010893	WHEEL		01
02	0503010033	7.50 X 16 INNER TIRE		01
03	0503010120	CANVAS TIRE		01

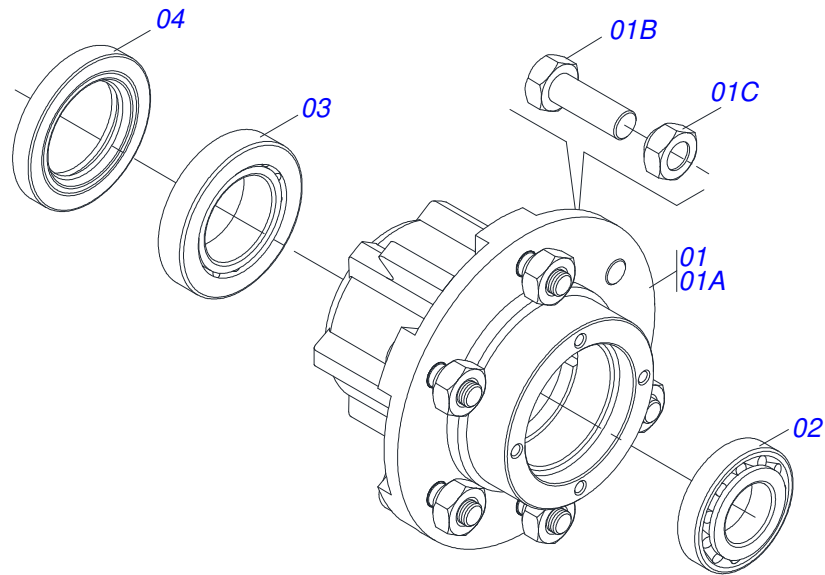
**WHEELS ASSY**



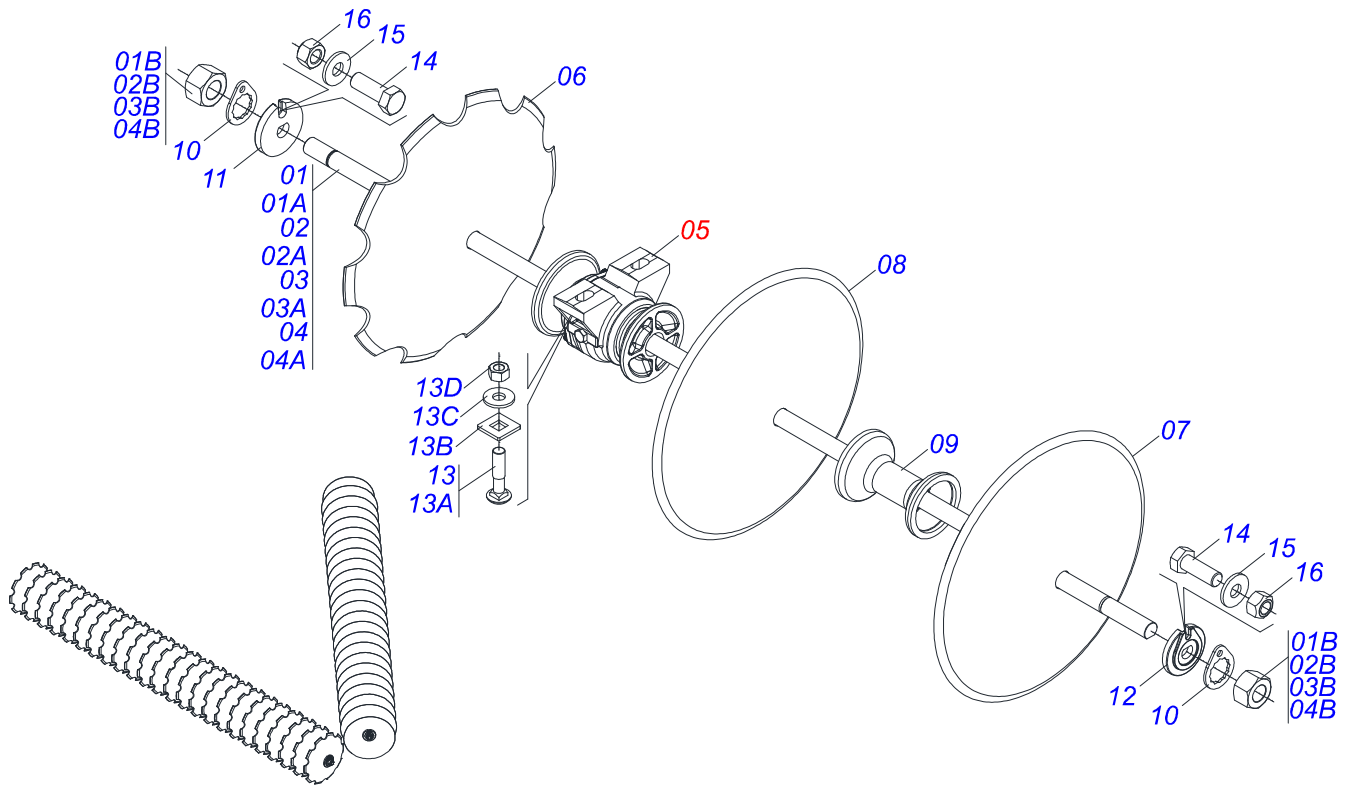
Item	Code	Description	See page	QT
01	0521068372	WHEELED ARM		01
02	0503010131	3/16" X 1-1/2" COTTERPIN		01
03	0521068769	COUPLING SHAFT		01
04	0503030012	HAIR PIN		01
05	0521052217	ASSY WHEEL CUBE	15	01
06	0503010027	5/8" SPRING WASHER		01
07	0503017857	BOLT 5/8 UNF 4		01



Item	Code	Description	See page	QT
01	0502020591	PROTECCION COVER		01
02	0503030009	1" CASTLE NUT		01
03	0503010018	5/32 X 1-1/2 COTTERPIN		01
04	0503010002	1800 GREASE FITTING		01
05	0501016545	FLAT WASHER		01
06	0501051142	CARRYING WHEEL HUB	16	01
07	0581016297	63,50 X 270 AXIS		01
08	0503010178	5/16" X 7/8" BOLT		04
09	0503010179	5/16" ZN SPRING WASHER		04



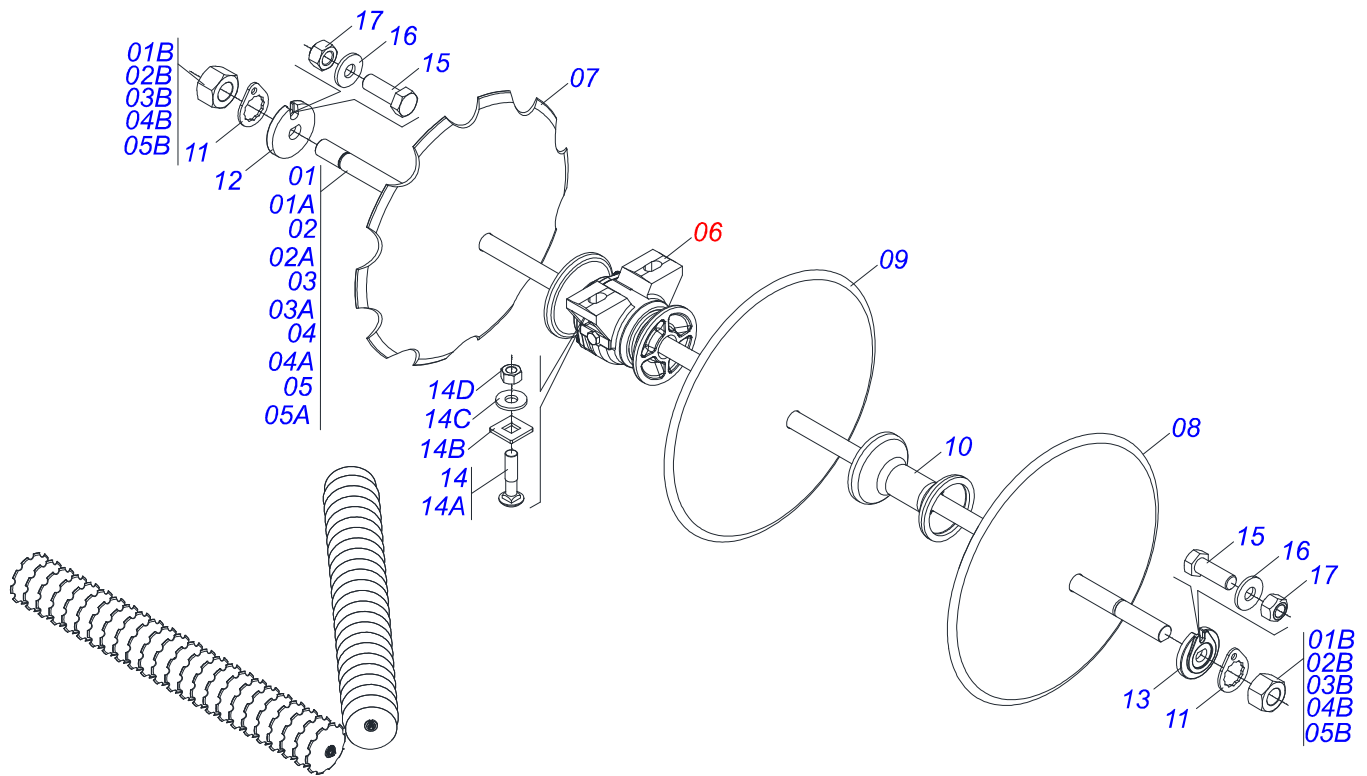
Item	Code	Description	See page	QT
01	0501110728	WHEEL HUB		01
01A	0502011121	CARRYING WHEEL HUB		01
01B	0501010127	9/16" X 1-7/8" LUG BOLT		06
01C	0503010035	9/16" CONIC NUT		06
02	0503010037	30207 ROLLER BEARING		01
03	0503010006	32210 ROLLER BEARING		01
04	0503012928	SEAL		01



Item	Code	Description	See page	048	052	056	060
01	0521045341	AXLE		004	000	000	000
01A	0511012017	AXLE		001	000	000	000
01B	0501010110	1.1/2" NUT		002	000	000	000
02	0511054527	AXIS 1.1/2" UNC X 2490 WITH NUTS		000	004	000	000
02A	0531019372	AXIS 1.1/2 6FPP X 2490		000	001	000	000
02B	0501010110	1.1/2" NUT		000	002	000	000
03	0511045023	1.1/2" X 2680 AXLE		000	000	004	000
03A	0551011002	1.1/2" X 2680 AXLE		000	000	001	000
03B	0501010110	1.1/2" NUT		000	000	002	000
04	0501059898	1.1/2 X 2880 AXLE ASSY		000	000	000	004
04A	0561016111	1.1/2 X 2880 AXLE		000	000	000	001
04B	0501010110	1.1/2" NUT		000	000	000	002
05	0501047055	BEARING	19	012	012	012	012
06	0602027341	DR20X3,5 C57AF02FR1.9/16 10R TATU		024	026	028	030
06.	0602027356	DR20X4,5 C57AF02FR1.9/16 10REC TATU		024	026	026	030
06..	0602030429	NOTCHED DISC BLADE		046	026	028	030
06...	0602029416	DR22X4,5 C64AF02FR1.9/16 10REC TATU		002	026	026	028
06....	0602029422	DR22X3,5 C64AF02FR1.9/16 10R TATU		000	000	000	030
07	0601027302	DL20X3,5 C57AF02FR1.9/16 TATU		022	024	026	028
07.	0601025033	DL18X3,5 C45AF02FR1.9/16"		002	002	002	002
07..	0601027299	DL20X4,5 C57AF02FR1.9/16 TATU		022	024	024	028
07...	0601025099	18" X 0.1" PLAIN DISC BLADE		002	002	002	002
07....	0601031134	DL24X4,5 C66AF02FR1.9/16 D006 TT		022	024	026	028
07.....	0601029414	DL22X4,5 C63AF02FR1.9/16 TATU		002	000	000	000
07.....	0601029413	DL22X4,5 C64AF02FR1.9/16 TATU		000	024	002	030
08	0601029419	DL22X3,5 C64AF02FR1.9/16 TATU		000	000	026	028
08.	0601027302	DL20X3,5 C57AF02FR1.9/16 TATU		000	000	002	002
09	0502010627	SPACER		032	036	040	044
10	0501018592	1.5/8" NUT LOCK		008	008	008	008
11	0502010872	1-1/2" INNER AXLE WASHER		004	004	004	004
12	0502010871	1-1/2" EXTERNAL AXLE WASHER		004	004	004	004

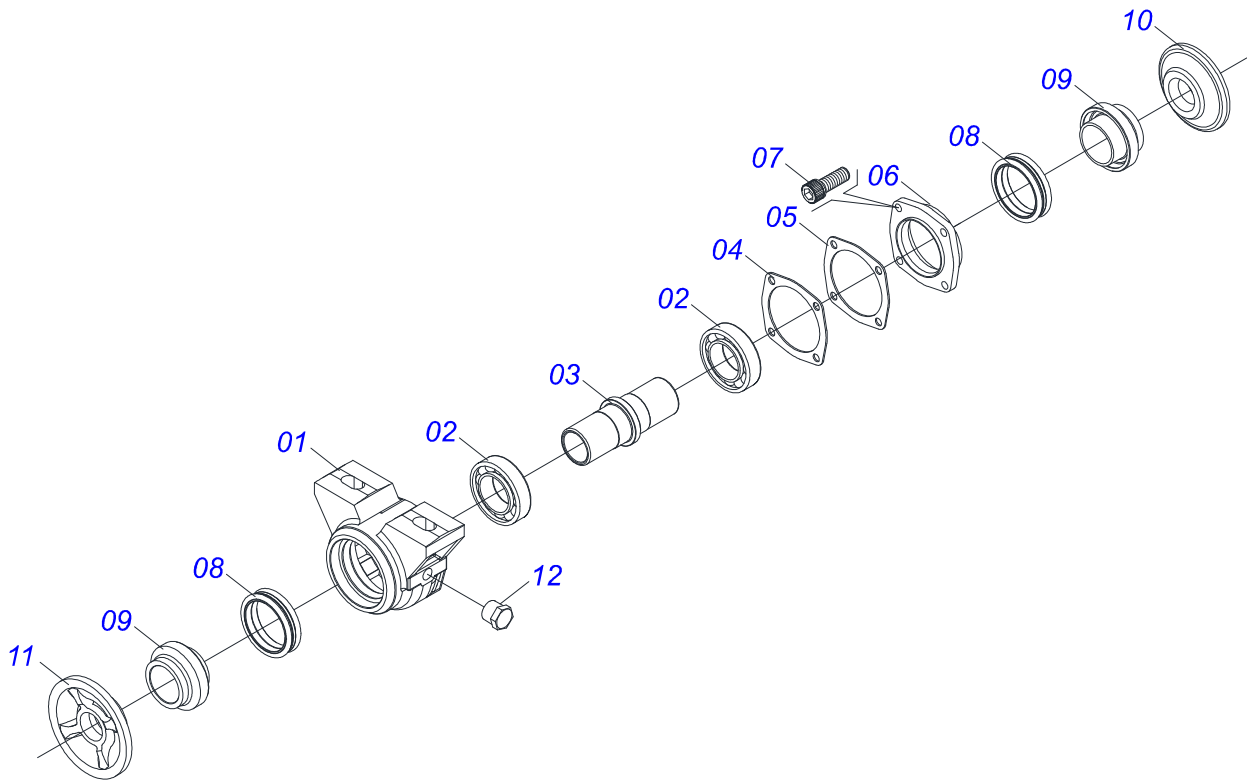
<b>Item</b>	<b>Code</b>	<b>Description</b>	<b>See page</b>	<b>048</b>	<b>052</b>	<b>056</b>	<b>060</b>
13	0501058802	5/8 UNC X 2.3/4 BOLT ASSY		024	024	024	024
13A	0503015154	5/8" X 2.3/4" BOLT		024	024	024	024
13B	0501010947	5/8 NUT LOCK		024	024	024	024
13C	0501012140	FLAT WASHER		024	024	024	024
13D	0503010013	5/8" NUT		048	048	048	048
14	0503011267	BOLT 5/8 UNC X 1.1/2 C S G.5 ZN		008	008	008	008
15	0501012140	FLAT WASHER		008	008	008	008
16	0503012412	5/8 UNC SELF LOCKING NUT		008	008	008	008



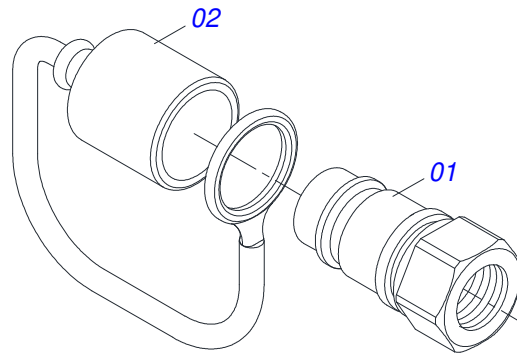


Item	Code	Description	See page	064	068	072	076	080	084
01	0501043697	1.1/2" X 1505 AXLE ASSY		008	000	000	006	010	000
01A	0511012601	1.1/2" X 1505 AXLE		001	000	000	001	001	000
01B	0501010110	1.1/2" NUT		002	000	000	002	002	000
02	0501046884	1.1/2 X 1705 AXLE W/NUT		000	004	008	000	000	000
02A	0501018720	1.1/2 X 1705 AXLE		000	001	002	000	000	000
02B	0501010110	1.1/2" NUT		000	002	002	000	000	000
03	0501043697	1.1/2" X 1505 AXLE ASSY		000	004	000	000	000	000
03A	0511012601	1.1/2" X 1505 AXLE		000	001	000	000	000	000
03B	0501010110	1.1/2" NUT		000	002	000	000	000	000
04	0501044105	1.1/2 X 1305 AXLE W/NUT		000	000	000	004	000	000
04A	0511011914	1.1/2 X 1305 AXLE		000	000	000	001	000	000
04B	0501010110	1.1/2" NUT		000	000	000	002	000	000
05	0501044105	1.1/2 X 1305 AXLE W/NUT		000	000	000	000	000	012
05A	0511011914	1.1/2 X 1305 AXLE		000	000	000	000	000	001
05B	0501010110	1.1/2" NUT		000	000	000	000	000	002
06	0501047055	BEARING	19	016	016	016	016	016	016
07	0602027341	DR20X3,5 C57AF02FR1.9/16 10R TATU		032	034	036	038	040	042
07.	0602027356	DR20X4,5 C57AF02FR1.9/16 10REC TATU		032	034	036	000	040	042
07..	0602029422	DR22X3,5 C64AF02FR1.9/16 10R TATU		032	034	036	038	040	000
07...	0602029416	DR22X4,5 C64AF02FR1.9/16 10REC TATU		032	034	036	038	040	042
07....	0602030429	NOTCHED DISC BLADE		000	034	036	038	040	042
08	0601027302	DL20X3,5 C57AF02FR1.9/16 TATU		030	032	034	036	038	040
08.	0601025033	DL18X3,5 C45AF02FR1.9/16"		002	002	002	002	002	002
08..	0601025099	18" X 0.1" PLAIN DISC BLADE		002	002	002	000	002	002
08...	0601027299	DL20X4,5 C57AF02FR1.9/16 TATU		030	032	034	002	038	040
08....	0601029419	DL22X3,5 C64AF02FR1.9/16 TATU		030	032	000	036	038	000
08.....	0601029413	DL22X4,5 C64AF02FR1.9/16 TATU		030	032	034	036	038	040
08.....	0601031134	DL24X4,5 C66AF02FR1.9/16 D006 TT		000	032	034	036	038	040
09	0601027300	DL20X3,5 C57AF02FR1.9/16 TATU		000	000	002	000	000	000
09.	0601029404	DL22X3,5 C64AF02FR1.9/16 TATU		000	000	034	000	000	000
10	0502010627	SPACER		040	044	048	046	050	048

<b>Item</b>	<b>Code</b>	<b>Description</b>	<b>See page</b>	<b>064</b>	<b>068</b>	<b>072</b>	<b>076</b>	<b>080</b>	<b>084</b>
11	0501018592	1.5/8" NUT LOCK		016	016	016	020	020	024
12	0502010872	1-1/2" INNER AXLE WASHER		008	008	008	010	010	012
13	0502010871	1-1/2" EXTERNAL AXLE WASHER		008	008	008	010	010	012
14	0501058802	5/8 UNC X 2.3/4 BOLT ASSY		032	032	032	040	040	048
14A	0503015154	5/8" X 2.3/4" BOLT		032	032	032	040	040	048
14B	0501010947	5/8 NUT LOCK		032	032	032	040	040	048
14C	0501012140	FLAT WASHER		032	032	032	040	040	048
14D	0503010013	5/8" NUT		064	064	064	080	080	096
15	0503011267	BOLT 5/8 UNC X 1.1/2 C S G.5 ZN		016	016	016	020	020	024
16	0501012140	FLAT WASHER		016	016	016	020	020	024
17	0503012412	5/8 UNC SELF LOCKING NUT		016	016	016	020	020	024



Item	Code	Description	See page	QT
01	0502010540	HOUSING DM		01
02	0503010006	32210 ROLLER BEARING		02
03	0502040061	AXLE		01
04	0503030013	4.4" X 3.5" X 0.004" JOINT		03
05	0503030684	4.4" X 3.5" X 0.004" JOINT		02
06	0502020424	HOUSING CAP		01
07	0503010134	3/8" X 1" BOLT		04
08	0503030026	SEAL LP JB-253		02
09	0502010541	SEAL RETAINER		02
10	0502010604	OUTER FLANGE		01
11	0502010605	INNER FLANGE		01
12	0503010856	OIL PLUG		02



Item	Code	Description	See page	QT
01	0503011627	MALE QUICK COUPLER AGR 1/2 NPT		01
02	0503011882	MALE QUICK COUPLER CAP		01





***civemasa***

**Technical Publications | Elaboration and Revision**

LORENA ROCHA ALVES

[www.civemasa.com.br](http://www.civemasa.com.br)

