

OVERFLOW TRUCK

TAC 10500 D 3,0 BALL

Code: 0501092978

Series: S-0309

Revision: 00

Revision Date: MARÇO/2022

PARTS CATALOGUE


CIVEMASA

PRODUCTS

Code	Description
0120420238	TAC 10500 D 3,0 BOL COMPL S-0309

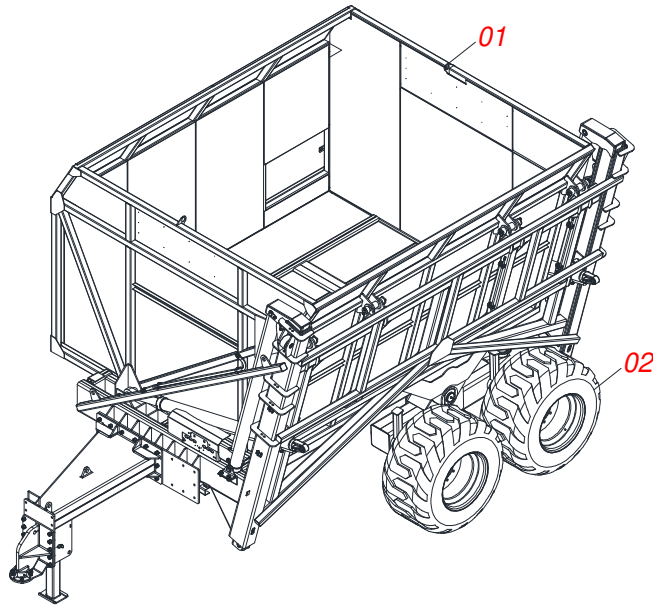
ATTENTION: IMPORTANT

CIVEMASA reserves the right to improve and/or modify the technical features of its products, without obligation to do the same with those products already sold and without prior knowledge of the dealer or the consumer. The photos are only illustrative.

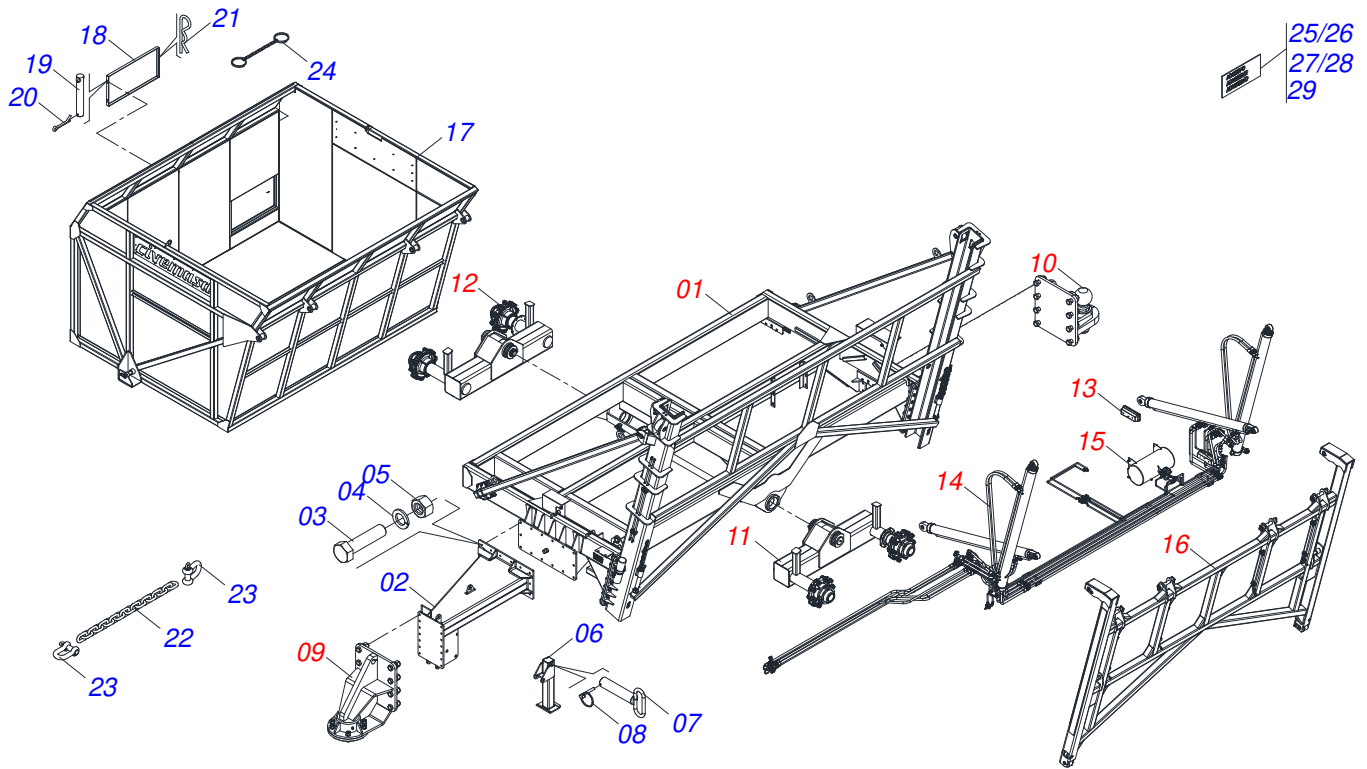


INDEX

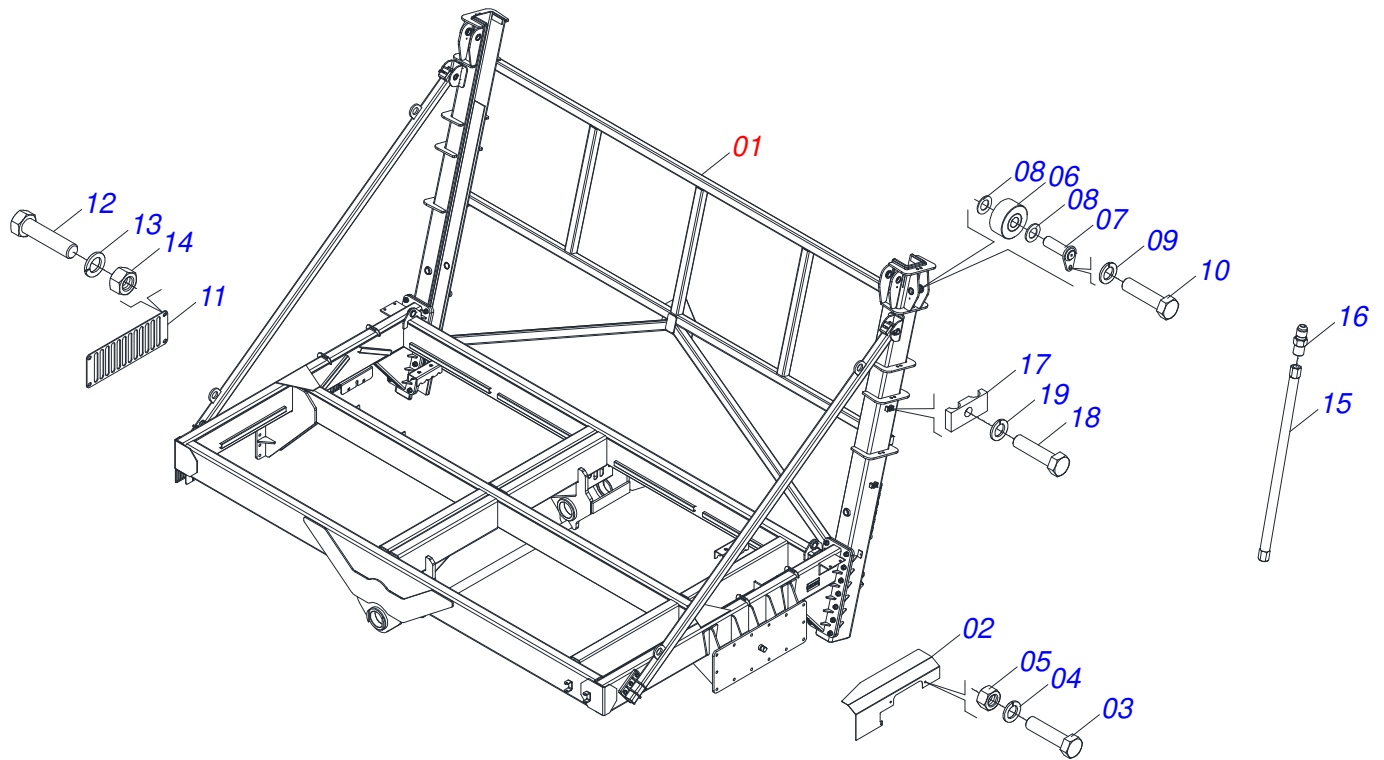
0909096175	ASSY FRAME	1
0511047995	ASSY FRAME	2
0501059118	SEMIFINISHED FRAME	3
0521050526	CHASSIS 3.00 OFFSET HEAD	4
0511047141	HITCH FRONT	5
0511047281	ASSY REAR HITCH	6
0501059115	LEFT ROCKER ARM	7
0521050366	LEFT AND RIGHT BALANCE SHEET	8
0511045858	WHEEL HUB ASSY WITH BRAKE	9
0511048127	WHEEL HUB	10
0501059116	RIGHT ROCKER ARM	11
0501057721	HYDRAULIC AND ELECTROPNEUMATIC ELECTRICAL SYSTEM	12
0501059076	HYDRAULIC SYSTEM	13
0511045963	HYDRAULIC CYLINDER	14
0511047791	CILINDER ROCKER	15
0501059077	HOSE KIT	16
0501053834	MALE QUICK COUPLER	17
0501053835	FEMALE QUICK COUPLER	18
0501057722	PNEUMATIC SYSTEM	19
0511047914	LIFT ASSY	20
0501058926	AGGREGATE	21



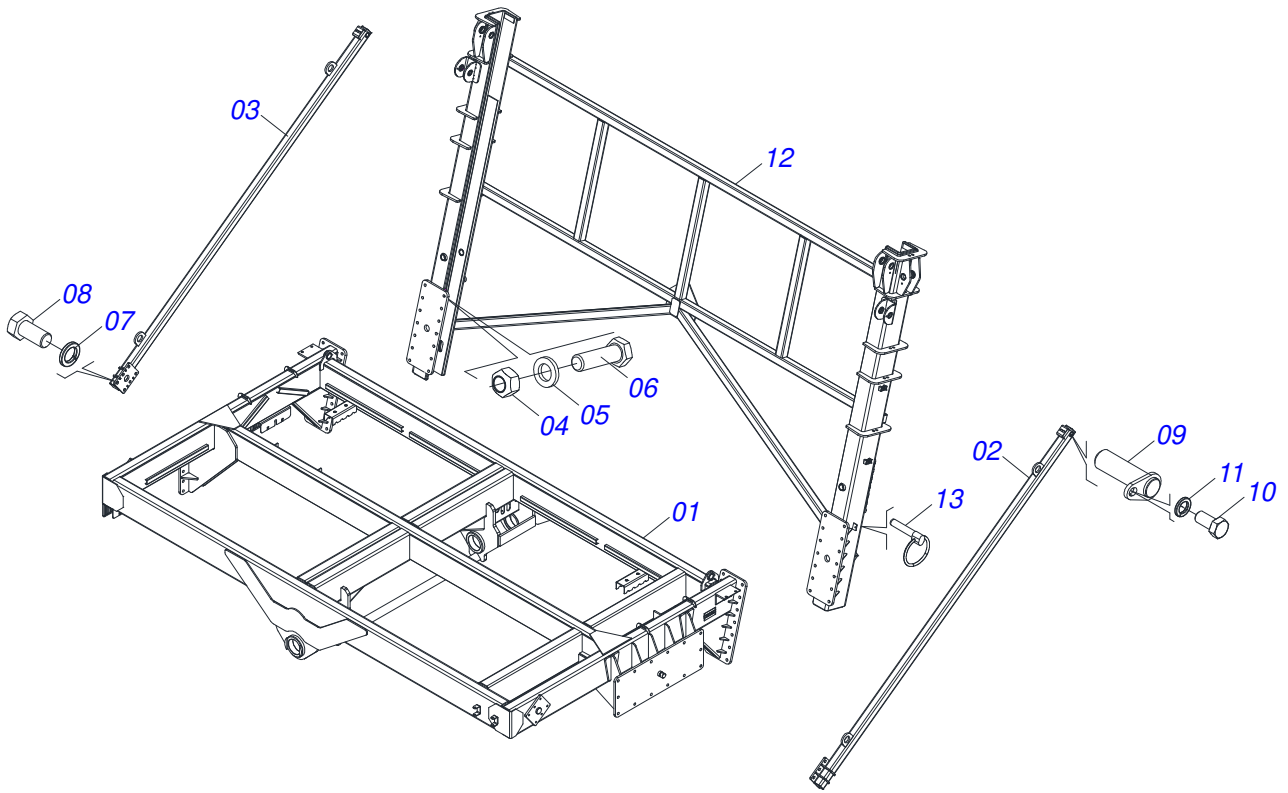
Item	Code	Description	See page	QT
01	0511047995	ASSY FRAME	2	01
02	0501058926	AGGREGATE	21	01



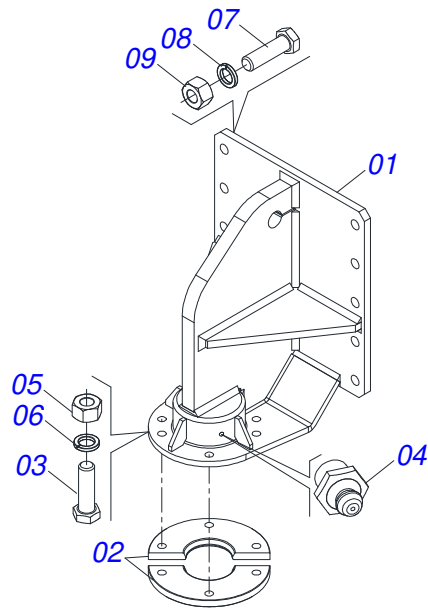
Item	Code	Description	See page	QT
01	0501059118	SEMI-FINISHED FRAME	3	01
02	0511069850	MOVED HEADER		01
03	0501010125	3/4" X 2-1/2" BOLT		14
04	0503010023	3/4" SPRING WASHER		14
05	0503010014	3/4" NUT		14
06	0511064834	FRAME STRUT		01
07	0511063918	PIN LOCK		02
08	0503030085	LOCK PIN		02
09	0511047141	HITCH FRONT	5	01
10	0511047281	ASSY REAR HITCH	6	01
11	0501059115	LEFT ROCKER ARM	7	01
12	0501059116	RIGHT ROCKER ARM	11	01
13	0501057721	HYDRAULIC AND ELECTROPNEUMATIC ELECTRICAL SYSTEM	12	01
14	0501059076	HYDRAULIC SYSTEM	13	01
15	0501057722	PNEUMATIC SYSTEM	19	01
16	0511047914	LIFT ASSY	20	01
17	0521060738	BASKET		01
18	0511067601	COVER DOOR		01
19	0521010553	0.5" X 3" COUPLING SHAFT		02
20	0503010257	1/8" X 1" COTTERPIN		02
21	0503030168	HAIR PIN		01
22	0503014120	CHAIN		01
23	0503014321	CABLE STEEL SHACKLE		02
24	0503011423	RING		01
25	0503013229	REFLECTIVE SIDE BAND		14
26	0503031428	READ MANUAL DECAL		01
27	0503032526	STATIONARY BRAKE VALVE EMBLEM		01
28	0503061577	EMBLEM SET		01
29	0503031827	LUBRICATE AND RETIGHTEN DAILY DECAL		04
30	3914303047	LOCTITE 567 ADHESIVE		00
31	3402301204	OIL HYDRAULIC		48



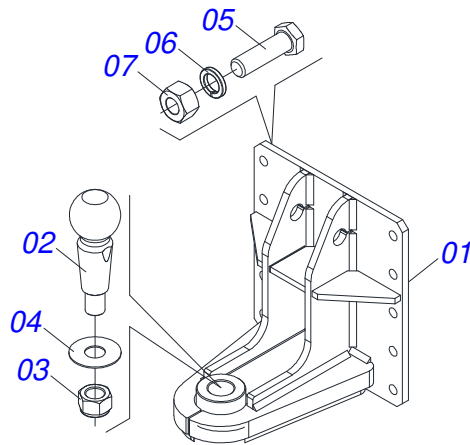
Item	Code	Description	See page	QT
01	0521050526	CHASSIS 3.00 OFFSET HEAD	4	01
02	0551016025	PROTECTION PANEL HYDRAULIC		01
03	0503010237	3/8" X 1" BOLT		03
04	0503010025	3/8" SPRING WASHER		03
05	0503010026	3/8" NUT		03
06	0501110526	LOWER PULLEY		04
07	0511067985	PIN UPPER PULLEY		04
08	0551014871	FLAT WASHER		08
09	0503010019	1/2" SPRING WASHER		04
10	0503010834	1/2 X 1 BOLT		04
11	0551016215	LANTERN BOX COVER		02
12	0503011334	BOLT 3/8 UNC X 3/4 CS G.5 ZN		08
13	0503010025	3/8" SPRING WASHER		08
14	0503010026	3/8" NUT		08
15	0511068779	GREASE TUBE GUIDE		04
16	0503012776	1/8" NF NIPPLE		08
17	0502010477	HOSE CLAMP		08
18	0503010751	C3/8" X 1.1/4" HEX BOLT G.5		08
19	0503010025	3/8" SPRING WASHER		08



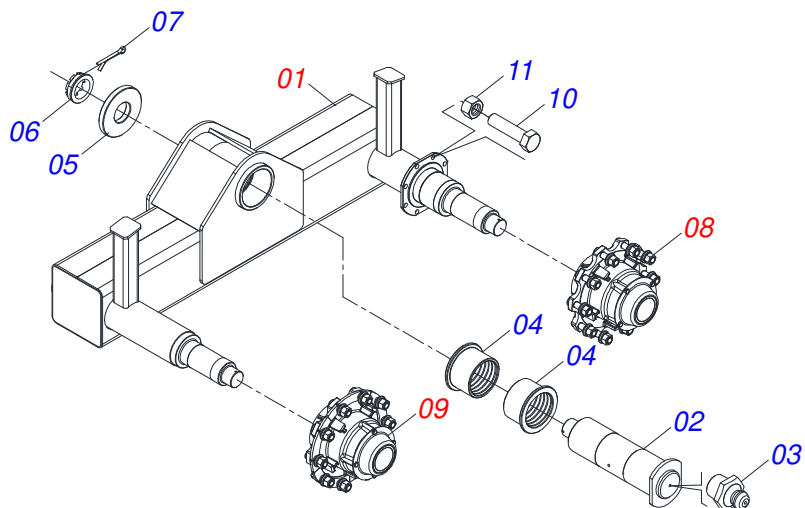
Item	Code	Description	See page	QT
01	0521067124	FRAME BASE		01
02	0521067125	FRONT ANGLE BAR		01
03	0521067126	REAR ANGLE BAR		01
04	0503011255	3/4" LOCK NUT		28
05	0511015255	FLAT WASHER		28
06	0501010125	3/4" X 2-1/2" BOLT		28
07	0503010027	5/8" SPRING WASHER		12
08	0503013027	5/8" X 1-1/4" BOLT		12
09	0521065778	AXLE		02
10	0503010834	1/2 X 1 BOLT		02
11	0503010019	1/2" SPRING WASHER		02
12	0521067189	GUIDE FRAME (176X4360) FLANGED		01
13	0503030430	7/16 X 2" PIN LOCK		02



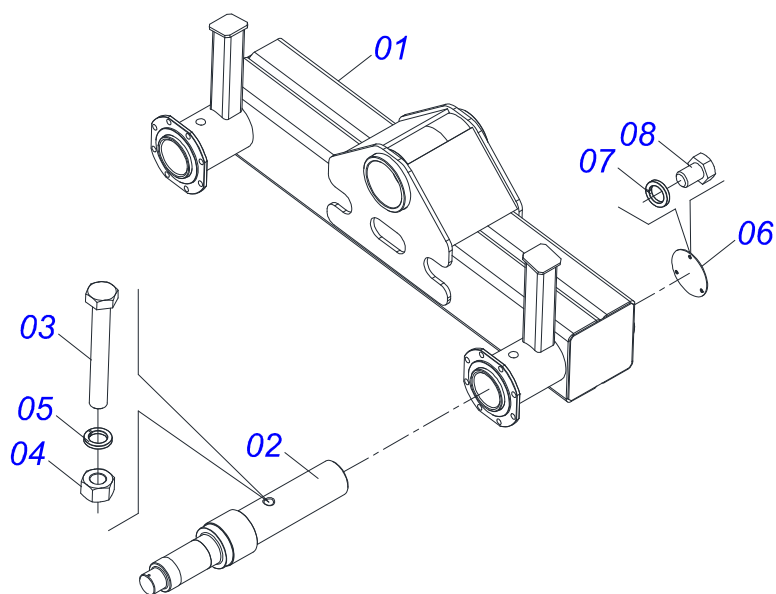
Item	Code	Description	See page	QT
01	0511069830	HITCH FRONT		01
02	0551016939	FLANGE BI-LEAVING		02
03	0501010100	SCREW 5/8 UNC X 2 CS G.5 ZN		06
04	0503010003	1845 GREASE FITTING		01
05	0503010013	5/8" NUT		06
06	0503010027	5/8" SPRING WASHER		06
07	0501010125	3/4" X 2-1/2" BOLT		10
08	0503010023	3/4" SPRING WASHER		10
09	0503010014	3/4" NUT		10



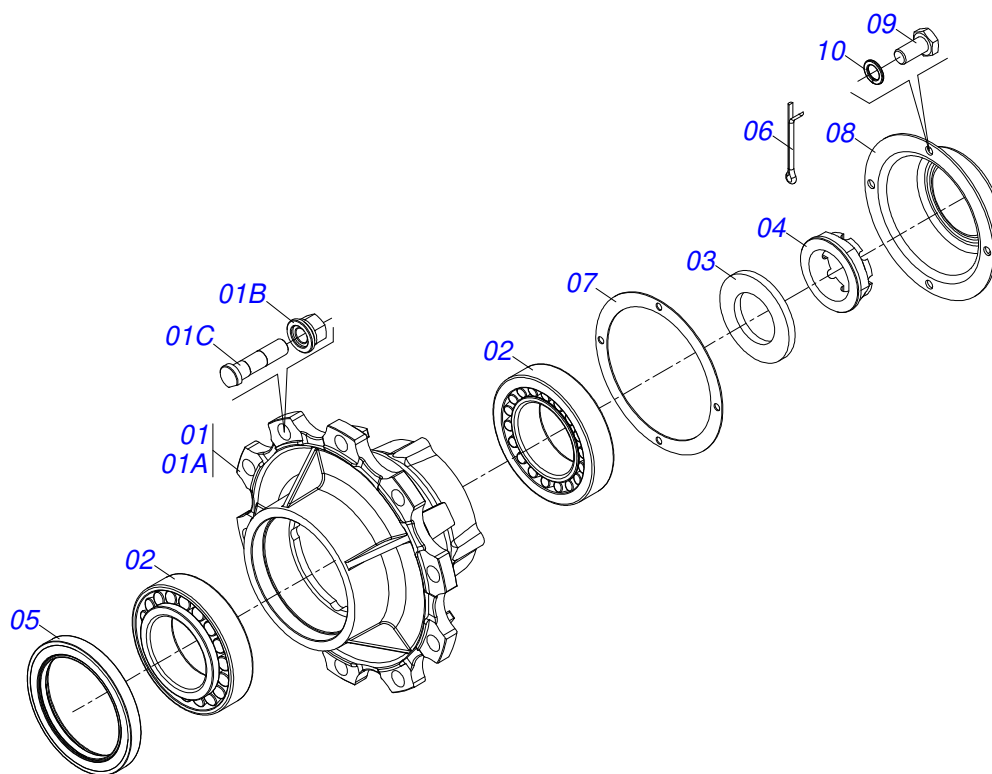
Item	Code	Description	See page	QT
01	0511069951	REAR HITCH		01
02	0541015756	HITCH PIN MALE		01
03	0503010290	SELF ADJUSTING 1.1/2" UNF NUT		01
04	0521011721	1.6" X 3.94" X 0.12" WASHER		01
05	0501010125	3/4" X 2-1/2" BOLT		10
06	0503010023	3/4" SPRING WASHER		10
07	0503010014	3/4" NUT		10



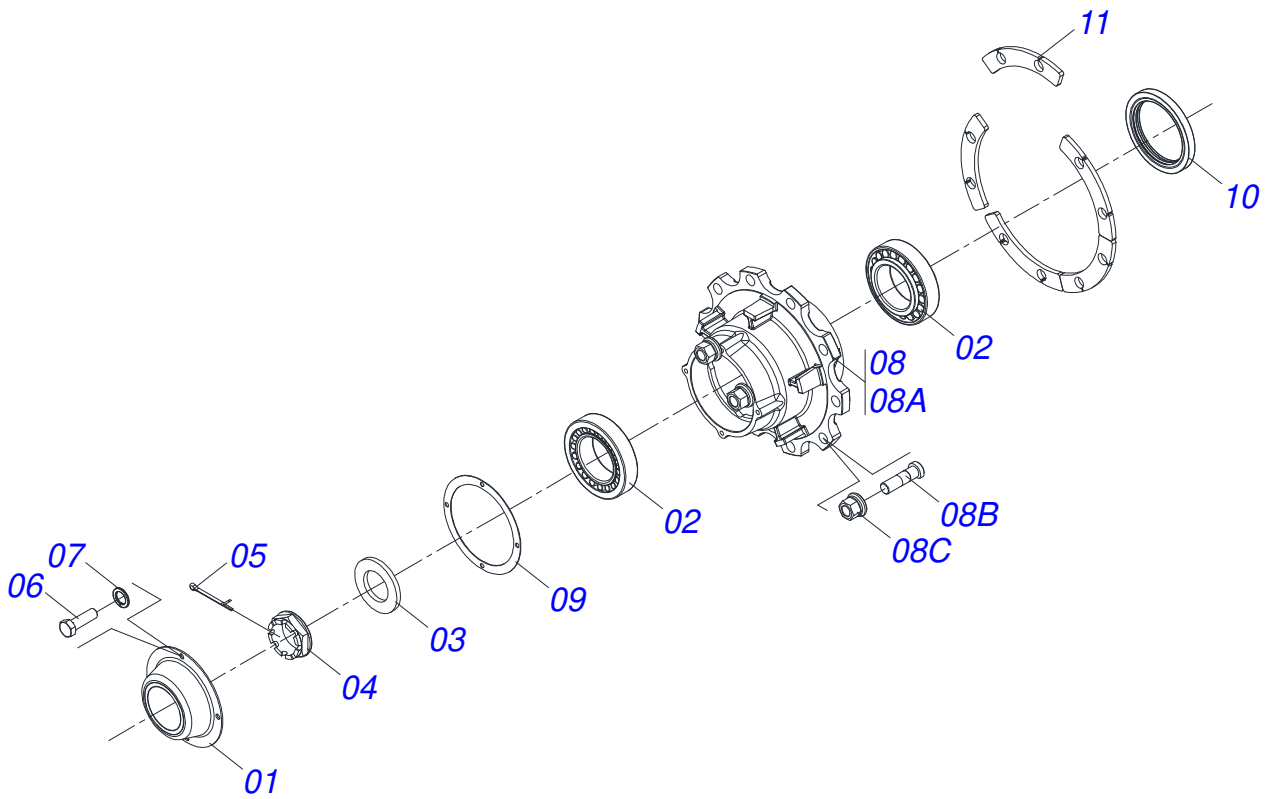
Item	Code	Description	See page	QT
01	0521050366	LEFT AND RIGHT BALANCE SHEET	8	01
02	0511067869	PIVOT SHAFT		01
03	0503010002	1800 GREASE FITTING		01
04	0531016429	BUSHING		02
05	0551012036	FLAT WASHER		01
06	0502040080	FLANGE NUT R.2.1/2 UN		01
07	0503012213	1/4" COTTERPIN		01
08	0511045858	WHEEL HUB ASSY WITH BRAKE	9	01
09	0511048127	WHEEL HUB	10	01
10	0503010232	5/8" X 1.3/4" BOLT		08
11	0503012412	5/8 UNC SELF LOCKING NUT		08



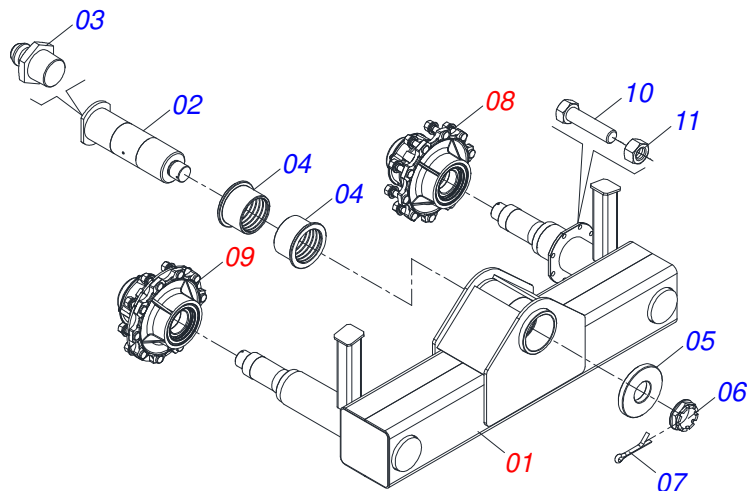
Item	Code	Description	See page	QT
01	0521067334	LEFT/RIGHT BALANCE BODY		01
02	0581013527	CARRYING WHEELS AXLE		02
03	0501010219	1" X 7-1/2" BOLT		02
04	0501010059	1.5/8 NUT		02
05	0503010012	1" SPRING WASHER		02
06	0551010696	CARRYING WHEELS AXLE COVER		02
07	0503010025	3/8" SPRING WASHER		06
08	0503010206	3/8" X 1/2" BOLT		06



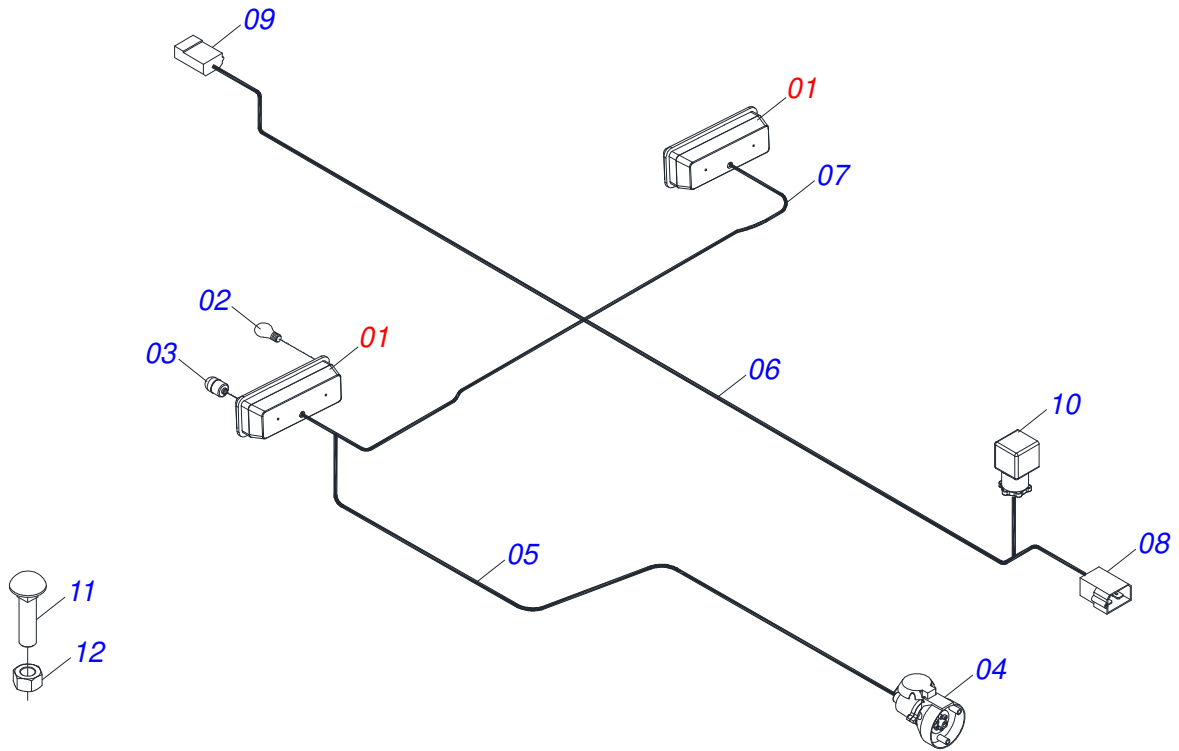
Item	Code	Description	See page	QT
01	0501110771	CARRYING WHEEL HUB		01
01A	0502012462	WHEEL HUB		01
01B	0503014048	22 X 1.5 HEX NUT		10
01C	0503014049	M22 X 1,5 X 89/97" BOLT		10
02	0503010118	32218 BEARING		02
03	0531019986	64 X 110 X 9.5 FLAT WASHER		01
04	0502040080	FLANGE NUT R.2.1/2 UN		01
05	0503013541	RETAINER		01
06	0503012213	1/4" COTTERPIN		01
07	0503013548	JOINT CORK		01
08	0503013549	HUB COVER		01
09	0503013546	BOLT SX MA5,8 M10X1,5X20ZA DI		04
10	0503013542	M10 SPRING WASHER		04



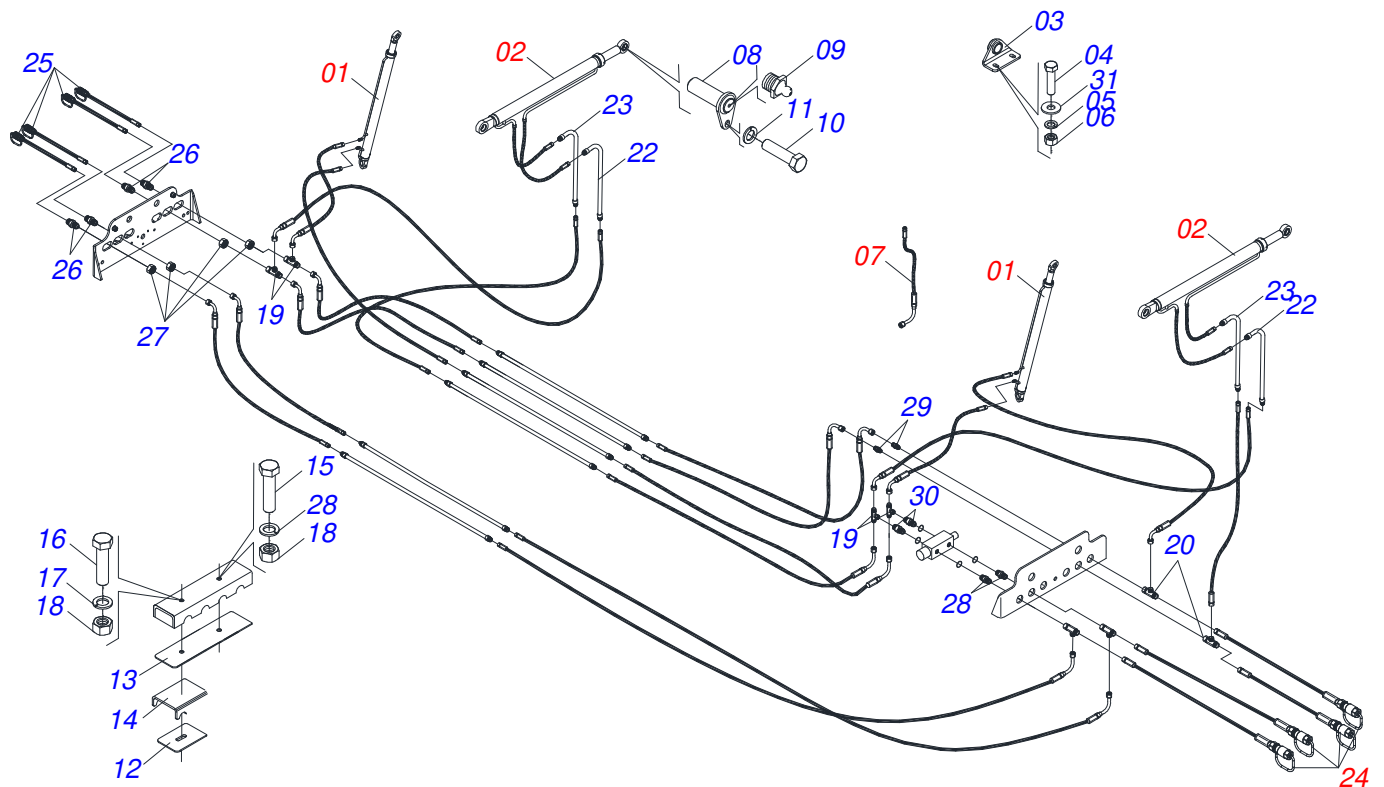
Item	Code	Description	See page	QT
01	0503013549	HUB COVER		01
02	0503010118	32218 BEARING		02
03	0531019986	64 X 110 X 9.5 FLAT WASHER		01
04	0502040080	FLANGE NUT R.2.1/2 UN		01
05	0503012213	1/4" COTTERPIN		01
06	0503013546	BOLT SX MA5,8 M10X1,5X20ZA DI		04
07	0503013542	M10 SPRING WASHER		04
08	0501110761	HUB AND BOLT		01
08A	0502012462	WHEEL HUB		01
08B	0503014050	22 X 1.5 BOLT		10
08C	0503014048	22 X 1.5 HEX NUT		10
09	0503013548	JOINT CORK		01
10	0503013541	RETAINER		01
11	0561015521	FLANGE		05



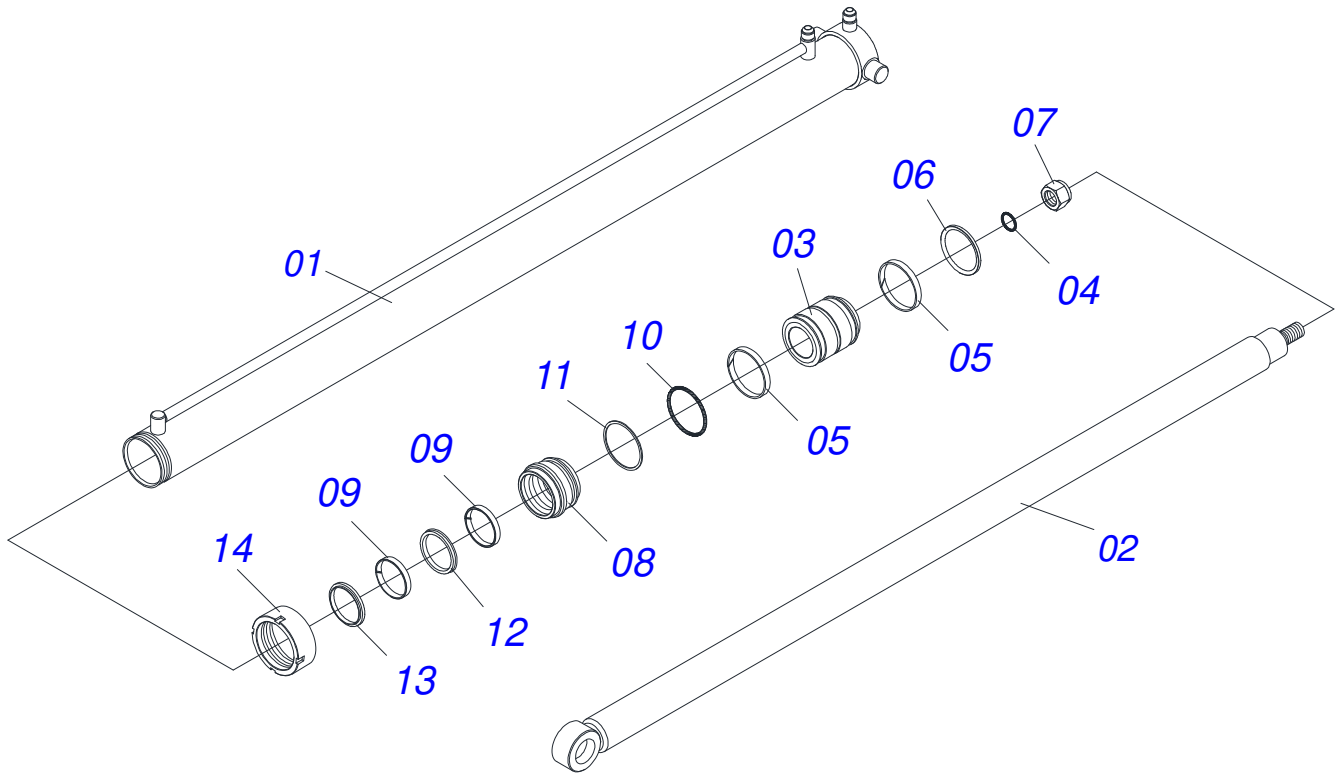
Item	Code	Description	See page	QT
01	0521050366	LEFT AND RIGHT BALANCE SHEET	8	01
02	0511067869	PIVOT SHAFT		01
03	0503010002	1800 GREASE FITTING		01
04	0531016429	BUSHING		02
05	0551012036	FLAT WASHER		01
06	0502040080	FLANGE NUT R.2.1/2 UN		01
07	0503012213	1/4" COTTERPIN		01
08	0511045858	WHEEL HUB ASSY WITH BRAKE	9	01
09	0511048127	WHEEL HUB	10	01
10	0503010232	5/8" X 1.3/4" BOLT		08
11	0503012412	5/8 UNC SELF LOCKING NUT		08



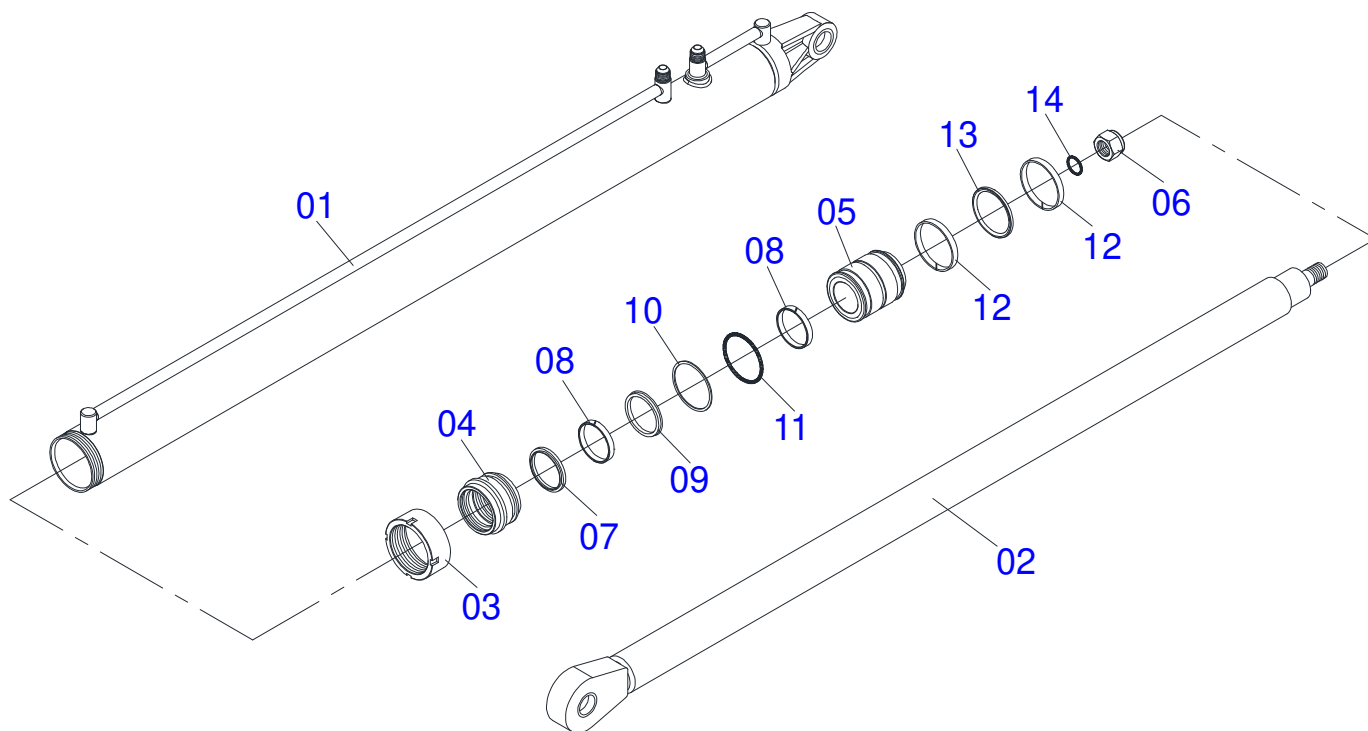
Item	Code	Description	See page	QT
01	0503032811	FLASHLIGHT		02
02	0503032812	1141 12V LAMP		04
03	0503032813	67 12V 5W LAMP		02
04	0503062399	ELECTRIC CONNECTION		01
05	0503013316	CABLE PP		12
06	0503014046	CABLE PP		11
07	0503014136	4 X 1 FLEXIBLE CABLE		03
08	0503013789	CONNECTOR 4V/1,5MM		01
09	0503013790	FEMALE CONNECTOR 4V/1,5MM		01
10	0503013566	PARKER PLUG		01
11	0503017866	3/16" X 1,1/2" BOLT		03
12	0503010667	3/16" NUT		03



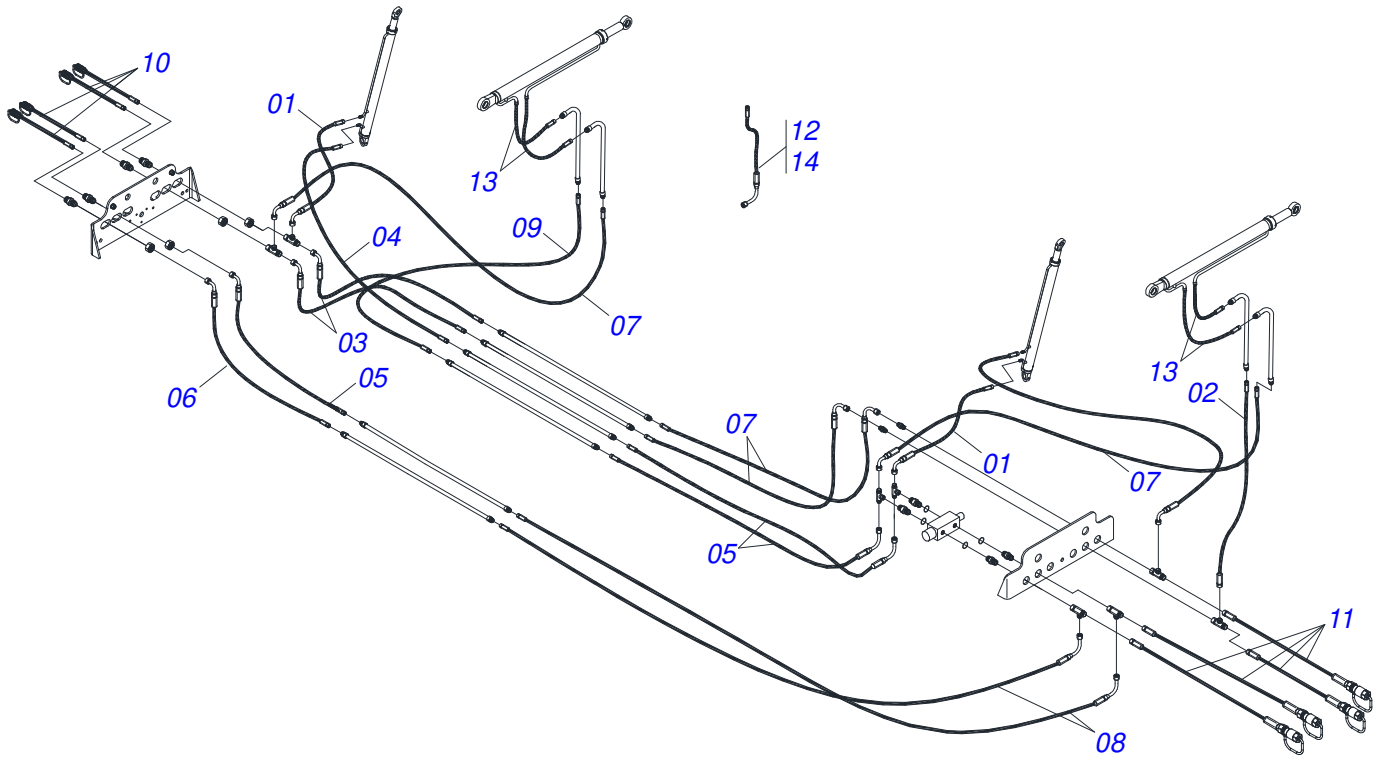
Item	Code	Description	See page	QT
01	0511045963	HYDRAULIC CYLINDER	14	02
02	0511047791	CILINDER ROCKER	15	02
03	0511068514	BEARING		02
04	0503010232	5/8" X 1.3/4" BOLT		04
05	0503010027	5/8" SPRING WASHER		04
06	0503010013	5/8" NUT		04
07	0501059077	HOSE KIT	16	01
08	0511067982	PIVOT SHAFT BOX CYLINDER		02
09	0503010002	1800 GREASE FITTING		02
10	0503010834	1/2 X 1 BOLT		02
11	0503010019	1/2" SPRING WASHER		02
12	0551015937	FIXER PLATE PIPING		02
13	0561013211	FIXER LOWER TUBING		02
14	0561013212	PLATE LOWER FIXER		02
15	0503010481	BOLT		02
16	0503011268	3/8" X 2-1/2" BOLT		02
17	0503010025	3/8" SPRING WASHER		04
18	0503010026	3/8" NUT		04
19	0503013534	ADAPTER T TEE		06
20	0503013535	ADAPTER T TEE JIC 1.1/16		02
21	0511069769	TUBE TAC 10500		06
22	0511069876	TUBE		02
23	0511069877	TUBE		02
24	0501053834	MALE QUICK COUPLER	17	04
25	0501053835	FEMALE QUICK COUPLER	18	04
26	0541016751	NIPPLE		02
27	0541016752	1.1/4"X 1.1/16" UN X 11 NUT HEX		08
28	0541016753	NIPPLE		02
29	0561011869	R.1.1/16 UNF X 1/2 NPT X 75,5 NIPPLE		04
30	0501010589	R. 1.1/16UN SEXT 1.1/4 X 52 NIPPLE		02
31	0501012140	FLAT WASHER		04



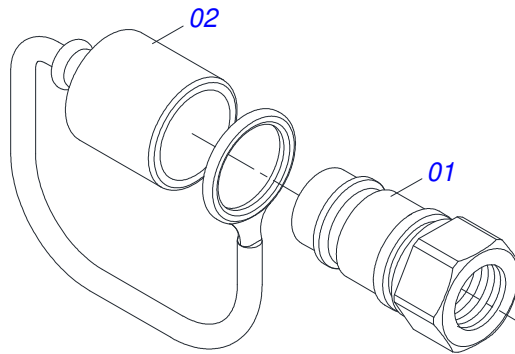
Item	Code	Description	See page	QT
01	0511068728	CYLINDER CASE LIFT		01
02	0511068729	ROD CILINDER ELEVATION		01
03	0551016446	101.6 X 63.5 PISTON		01
04	0503010345	2-218 N 3006-9B O'RING		01
05	0503010994	W2-4000-500 PK RING G.E		02
06	0503012725	GASKET		01
07	0503010817	1.1/4" SELF LOCKING NUT		01
08	0551016445	RING SUPPORT		01
09	0503013553	SEAL RING		02
10	0503010338	2-342 N 3006-9B O'RING		01
11	0503011061	8-342 BACK-UP RING		01
12	0503013552	GASKET		01
13	0503012642	D-3000 SCRAPER RING		01
14	0541019606	MOBILE COVER		01



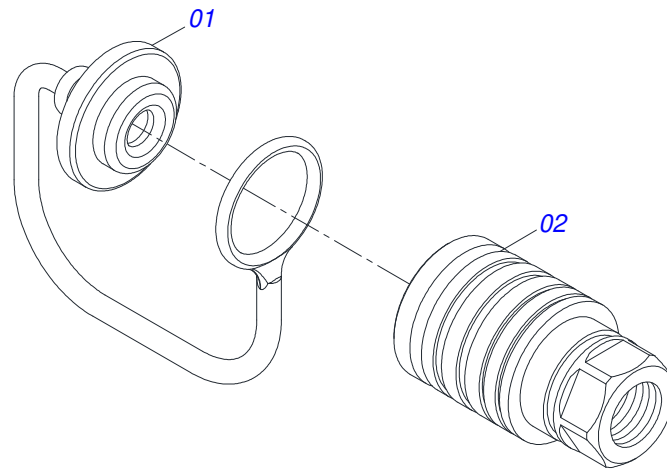
Item	Code	Description	See page	QT
01	0521060538	CYLINDER CASE		01
02	0521060537	ROD CILINDER ROCKER		01
03	0541019606	MOBILE COVER		01
04	0551016445	RING SUPPORT		01
05	0551016446	101.6 X 63.5 PISTON		01
06	0503010817	1.1/4" SELF LOCKING NUT		01
07	0503012642	D-3000 SCRAPER RING		01
08	0503013553	SEAL RING		02
09	0503013552	GASKET		01
10	0503011061	8-342 BACK-UP RING		01
11	0503010338	2-342 N 3006-9B O'RING		01
12	0503010994	W2-4000-500 PK RING G.E		02
13	0503012725	GASKET		01
14	0503010345	2-218 N 3006-9B O'RING		01
15	0501037860	HYDRAULIC CYLINDER REPAIR KIT 76,20 X 101,6		



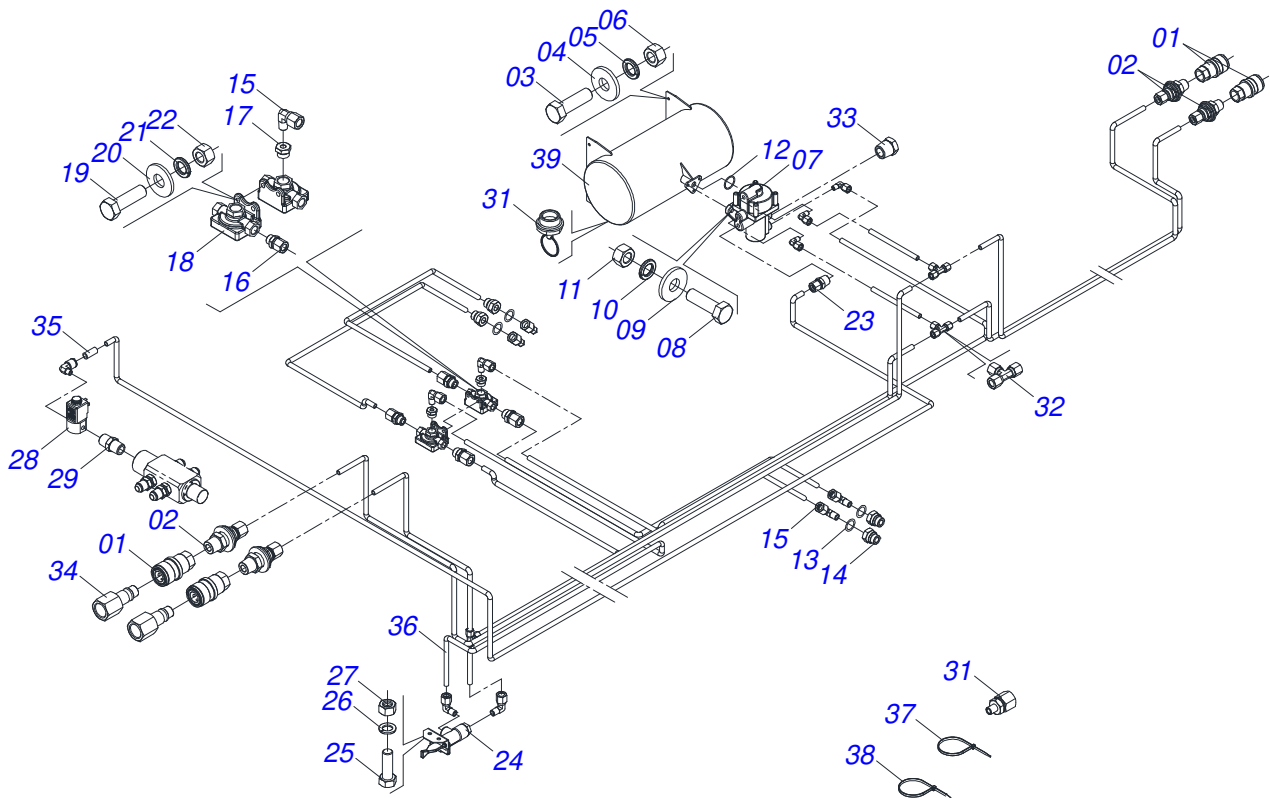
Item	Code	Description	See page	QT
01	0501081308	3/4 X 550 TR-TC HOSE		02
02	0501081292	3/4 X 650 TR-TC HOSE		01
03	0501081314	3/4 X 800 TR-TC 1G138644 HOSE		02
04	0501080176	3/4 X 800 TR-TR HOSE		01
05	0501080888	3/4 X 900 TR-TC HOSE		03
06	0501081309	HOSE		01
07	0501080159	HOSE 3/4 X 1100 TR-TC 1G138645		05
08	0501080099	HOSE 3/4 X 1300 TR-TC 1G138643		02
09	0501081215	3/4 X 1750 TR-TR HOSE		01
10	0501080337	3/4 X 2500 TR-TR HOSE		04
11	0501080887	HOSE 3/4 X 3300 TM-TR		04
12	0501081275	1/2 X 3250 TM-TM HOSE		02
13	0501081289	1/4 X 400 TR-TC HOSE		04
14	0501081157	HOSE 1/4 X 600 TR-TC		04



Item	Code	Description	See page	QT
01	0503011627	MALE QUICK COUPLER AGR 1/2 NPT		01
02	0503011882	MALE QUICK COUPLER CAP		01

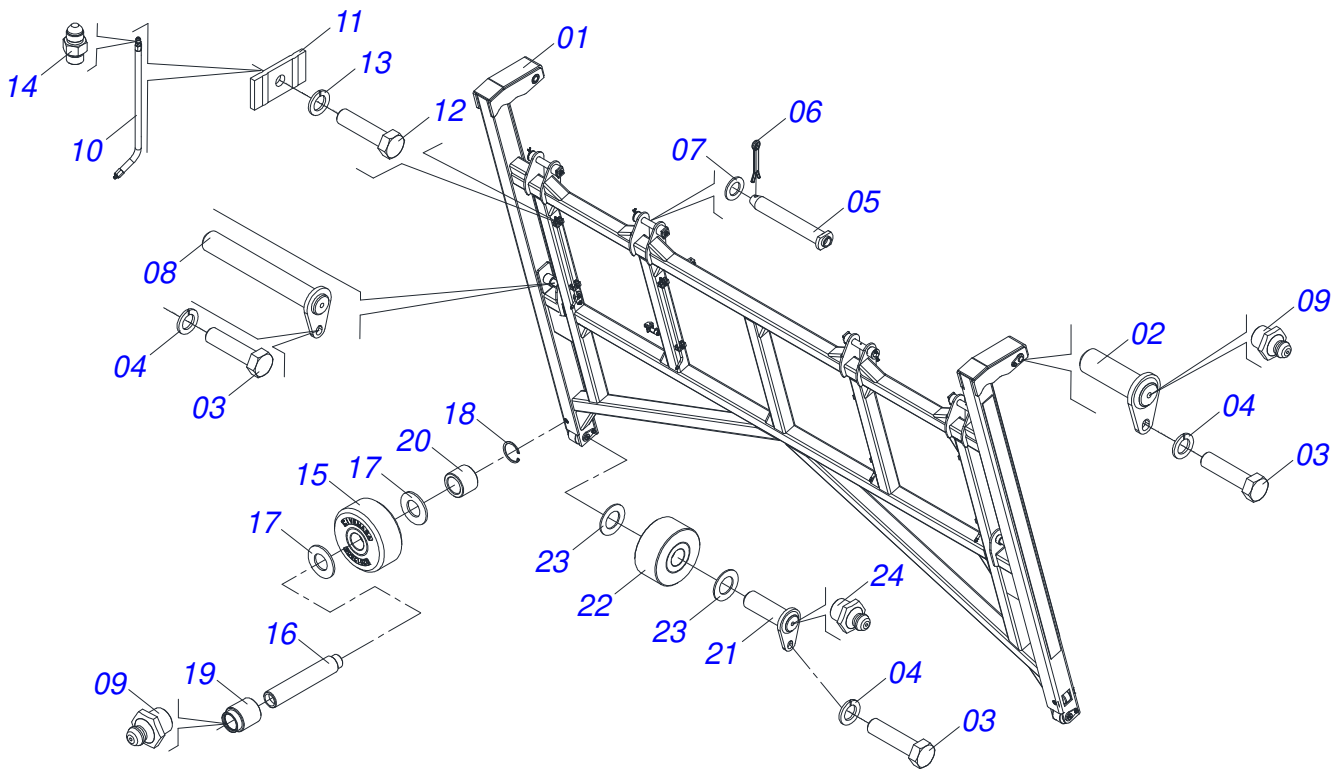


Item	Code	Description	See page	QT
01	0503011883	QUICK CONNECTION COVER		01
02	0503011628	FEMALE QUICK COUPLER		01

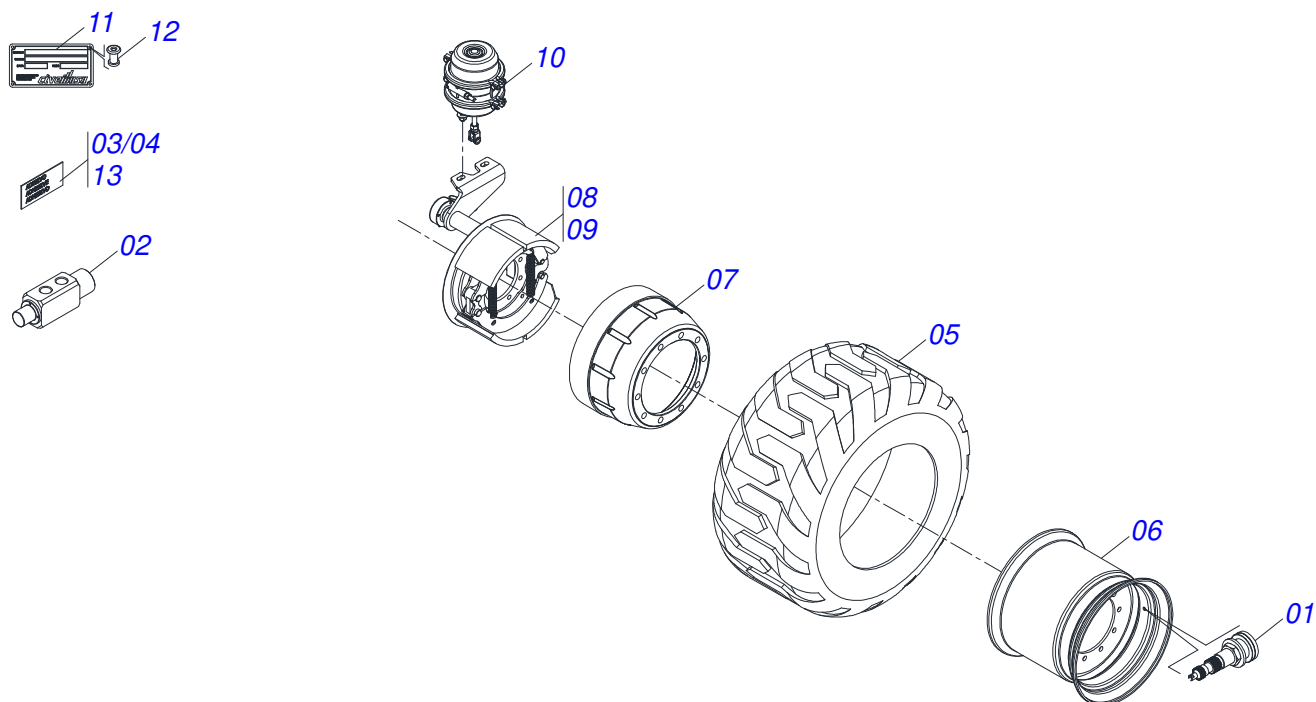


Item	Code	Description	See page	QT
01	0503014140	FEMALE QUICK COUPLER	04	
02	0503014138	UNION ANTEP TUBE	04	
03	0503010237	3/8" X 1" BOLT	06	
04	0501010984	FLAT WASHER	06	
05	0503010025	3/8" SPRING WASHER	06	
06	0503010026	3/8" NUT	06	
07	0503032389	VALVE	01	
08	0503010751	C3/8" X 1.1/4" HEX BOLT G.5	03	
09	0501013518	FLAT WASHER	03	
10	0503010025	3/8" SPRING WASHER	03	
11	0503010026	3/8" NUT	03	
12	0503013421	2-125 N O'RING	01	
13	0503010605	O'RING	04	
14	0503014037	REDUCTION	04	
15	0503032307	CONNECT ELBOW	11	
16	0503014216	MALE CONNECTOR	04	
17	0503013481	REDUCTOR	02	
18	0503014038	VALVE	02	
19	0503010371	5/16" X 1" BOLT	02	
20	0501010694	FLAT WASHER	02	
21	0503010179	LOCK WASHER	02	
22	0503010337	5/16" NUT	02	
23	0503014213	MALE CONNECTOR	01	
24	0503014039	VALVE DRIVE 1/4 9201001G37571	01	
25	0503010282	1/4" X 3/4" BOLT	02	
26	0503010143	1/4" SPRING WASHER	02	
27	0503010144	1/4" NUT	02	
28	0503032387	VALVE PN	01	
29	0503014486	NIPLE	01	
30	0503013523	VALVE	01	
31	0503014117	MALE CONNECTOR	01	

Item	Code	Description	See page	QT
32	0503032301	CONNECTION		03
33	0503013518	1/4" PLUG		02
34	0503013515	QUICK CONECTION		04
35	0503014002	ADAPTER		30
36	0503032835	1/2 TUBE		27
37	0503013527	CLAMP ZIPER		15
38	0503015056	NYLON CLAMP		15
39	0503033132	RESERVOIR AR 36L (CYLINDER)		01



Item	Code	Description	See page	QT
01	0511068752	FRAME LIFT TCA 10500 CHE		01
02	0511068767	PIN FIXER		02
03	0503010834	1/2 X 1 BOLT		06
04	0503010019	1/2" SPRING WASHER		06
05	0511068336	PIVOT SHAFT SKEP		04
06	0503010534	3/8 X 2-1/2 COTTERPIN		04
07	0501012916	FLAT WASHER 38,50 X 66 X 4,75 ZN		04
08	0511067983	PIVOT SHAFT		02
09	0503010002	1800 GREASE FITTING		08
10	0511068768	GREASE TUBE LIFT		04
11	0531011180	UPPER BODY CLIP		08
12	0503010751	C3/8" X 1.1/4" HEX BOLT G.5		08
13	0503010025	3/8" SPRING WASHER		08
14	0503012776	1/8" NF NIPPLE		09
15	0501110540	PULLEY SIDE ELEVATION		02
16	0551014860	PIN LOWER SIDE LIFT		02
17	0551014872	FLAT WASHER		04
18	0503014307	SEAL RING		02
19	0551014874	SLEEVE		02
20	0551014873	SLEEVE		02
21	0511068766	PIN POULIE 38,1 X 110		02
22	0501110526	LOWER PULLEY		02
23	0551015940	FLAT WASHER		04
24	0503010691	1/4" GREASE FITTING		02



Item	Code	Description	See page	QT
01	0503013999	VALVE		04
02	0503032386	HYDRAULIC VALVE EL/PN		01
03	0503032817	EMBLEM DANGER SAFETY		02
04	0503032818	ATTENTION BADGE		02
05	0503015483	TIRE 600/50-22.5 TL T404 168A8		04
06	0503013045	WHEEL ASSY		04
07	0502020688	BRAKE DRUM		02
08	0503014052	BRAKE		01
09	0503014053	BREAK		01
10	0503014056	SPRING BRAKE TUBE		02
11	0503034004	ALUMINUM IDENTIFICATION LABEL		01
12	0503010001	3.2 X 5.5 RIVET		05
13	0503031739	ADHESIVE LABEL		02



civemasa

Technical Publications | Elaboration and Revision

LORENA ROCHA ALVES

www.civemasa.com.br

