

**DISK HARROWS**

**GDFH 48/52/60/64/72/76/84D - WITH PA -  
PN11L15**

**Code:** 0501092954

**Series:** S-0618

**Revision:** 00

**Revision Date:** MAIO/2021

**PARTS  
CATALOGUE**

***CIVEMASA***

# PRODUCTS

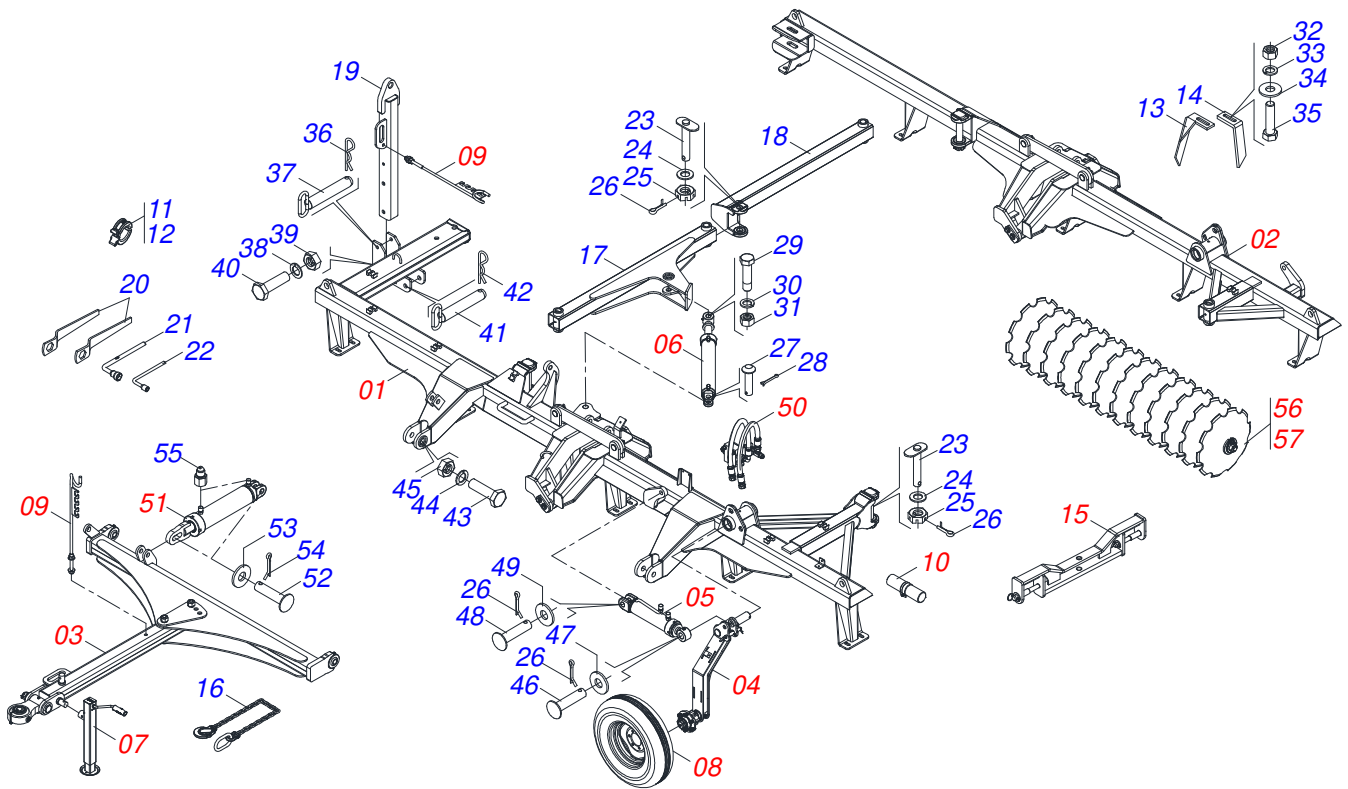
Code	Description
0121800066	GDFH 48 X 22 X 4,50 DM DR PA 11L15 S-0618
0121800060	GDFH 48 X 24 X 4,50 DM DR PA 11L15 S-0618
0121800063	GDFH 52 X 22 X 4,50 DM DR PA 11L15 S-0618
0121800058	GDFH 52 X 24 X 4,50 DM DR PA 11L15 S-0618
0102480090	GDFH 60 X 20 X 4,50 DM MT PA PN 11L15 S-0618
0102480091	GDFH 60 X 22 X 3,50 DM MT PA PN 11L15 S-0618
0102480093	GDFH 60 X 22 X 4,50 DM DR PA PN 11L15 S-0618
0102480092	GDFH 60 X 22 X 4,50 DM MT PA PN 11L15 S-0618
0121800056	GDFH 60 X 24 X 4,50 DM DR PA 11L15 S-0618
0102480094	GDFH 60 X 24 X 4,50 DM MT PA PN 11L15 S-0618
0121800055	GDFH 64 X 22 X 4,50 DM DR PA 11L15 S-0618
0121800057	GDFH 64 X 24 X 4,50 DM DR PA 11L15 S-0618
0121800054	GDFH 72 X 24 X 4,50 DM DR PA 11L15 S-0618
0121800064	GDFH 72 X 24 X 4,75 DM DR PA 11L15 S-0618
0121800065	GDFH 76 X 22 X 4,50 DM DR PA 11L15 S-0618
0121800067	GDFH 76 X 24 X 4,50 DM DR PA 11L15 S-0618
0121800059	GDFH 84 X 22 X 4,50 DM DR PA 11L15 S-0618
0121800062	GDFH 84 X 24 X 4,50 DM DL PA 11L15 S-0618
0121800061	GDFH 84 X 24 X 4,50 DM DR PA 11L15 S-0618

## ATTENTION: IMPORTANT

CIVEMASA reserves the right to improve and/or modify the technical features of its products, without obligation to do the same with those products already sold and without prior knowledge of the dealer or the consumer. The photos are only illustrative.

# INDEX

0909094928	ASSY FRAME 48	.....	1
0909094929	ASSY FRAME 52/56/60 DISC	.....	2
0909094930	ASSY FRAME 64/68/72 DISC	.....	3
0909094931	ASSY FRAME 76/80/84 DISC	.....	4
0521053506	FRONT FRAME SEMI MOUNTED 48D	.....	5
0521053383	FRONT FRAME SEMI MOUNTED 52D	.....	6
0521053365	FRONT FRAME SEMI MOUNTED 56D	.....	7
0521053507	FRONT FRAME SEMI MOUNTED 60	.....	8
0521053509	FRONT FRAME SEMI MOUNTED 64D	.....	9
0521053512	FRONT FRAME SEMI MOUNTED 68D	.....	10
0521053368	FRONT FRAME SEMI MOUNTED 72D	.....	11
0521054034	FRONT FRAME SEMI MOUNTED 76D	.....	12
0521054037	FRONT FRAME SEMI MOUNTED 80D	.....	13
0521053986	FRONT FRAME SEMI MOUNTED 84D	.....	14
0521053505	REAR FRAME 48D	.....	15
0521053386	REAR FRAME 52D	.....	16
0521053363	REAR FRAME 56D	.....	17
0521053508	REAR FRAME 60D	.....	18
0521053510	REAR FRAME 64D	.....	19
0521053511	REAR FRAME 68D	.....	20
0521053397	REAR FRAME 72D	.....	21
0521054033	REAR FRAME 76D	.....	22
0521054038	REAR FRAME 80D	.....	23
0521053985	REAR FRAME 84D	.....	24
0521048204	DRAWBAR ASSY 36 A 48D	.....	25
0521044870	DRAWBAR ASSY	.....	26
0501044359	DRAWBAR ASSY	.....	27
0521053943	HITCH WITH ASSY ROTULA SUPPORT	.....	28
0521048125	WHEELS ASSY	.....	29
0503060181	WHEEL AND TIRE	.....	30
0503060094	WHEEL AND TIRE ASSY	.....	31
0503060091	L29.5"X0.63"-10L WHEEL AND	.....	32
0521052217	ASSY WHEEL CUBE	.....	33
0511058461	HYDRAULIC CYLINDER	.....	34
0511058421	38,10X63,50X405X170 HYDRAULIC CYLINDER	.....	35
0501040257	3/4 X 1200 HOSE HOLDER A	.....	36
0521058303	CAT 2-3 TRANSPORT BAR ASSY	.....	37
0503062157	HEADER JACK	.....	38
0521053517	SET DOOR HAND BOOK	.....	39
0909094921	HYDRAULIC CIRCUIT - 48/52/56/60/64D	.....	40
0909094922	HYDRAULIC CIRCUIT - 68/72/76/80/84D	.....	41
0521058302	HYDRAULIC CYLINDER 44,45X85,7X600X265	.....	42
0909094924	FRONT GANG DISC - 48/52/56/60/64D	.....	43
0909094925	FRONT GANG DISC - 68/72/76/80/84D	.....	44
0909094926	REAR GANG DISC - 48/52/56/60/64D	.....	45
0909094927	REAR GANG DISC - 68/72/76/80/84D	.....	46
0501047055	BEARING	.....	47
0501047045	BEARING	.....	48

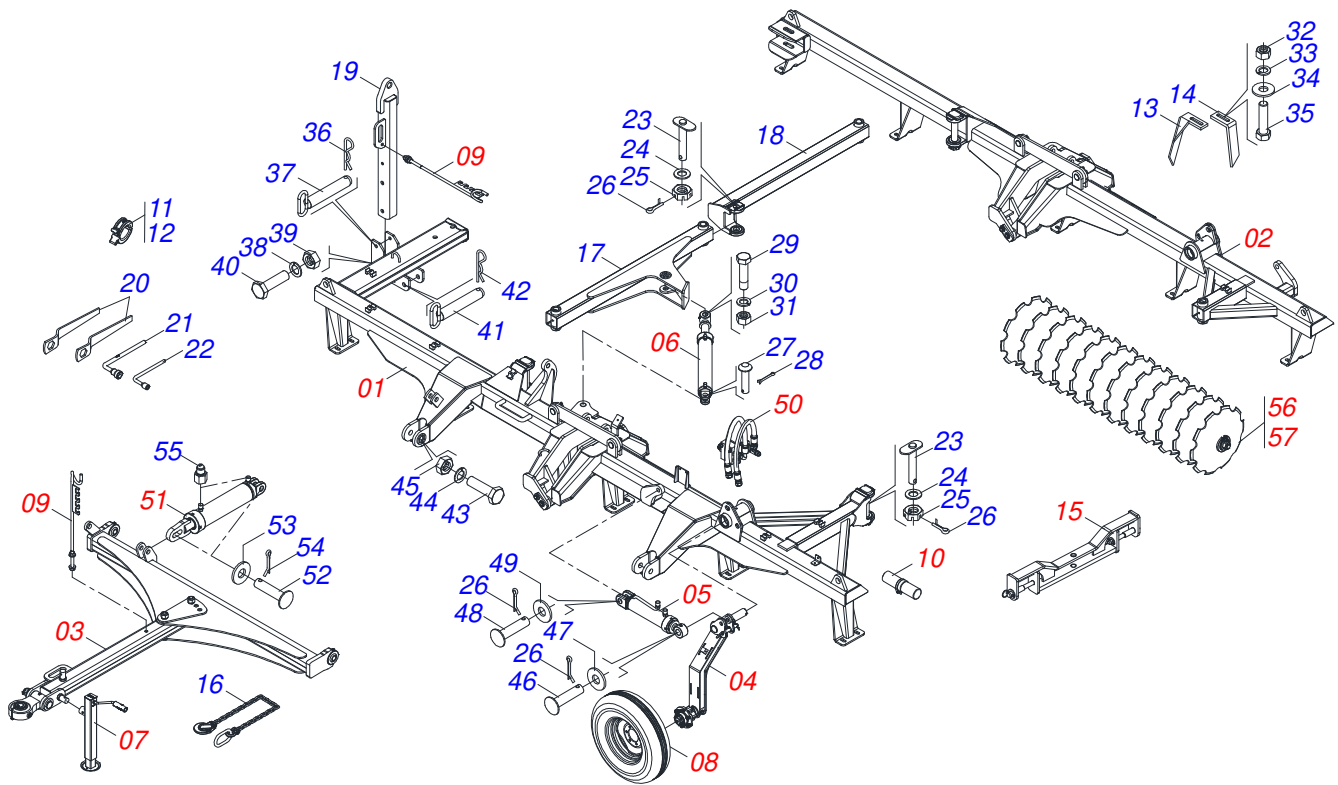


Item	Code	Description	See page	QT
01	0521053506	FRONT FRAME SEMI MOUNTED 48D	5	01
02	0521053505	REAR FRAME 48D	15	01
03	0521048204	DRAWBAR ASSY 36 A 48D	25	01
04	0521048125	WHEELS ASSY	29	02
05	0511058421	38,10X63,50X405X170 HYDRAULIC CYLINDER	35	02
06	0511058461	HYDRAULIC CYLINDER	34	01
07	0503062157	HEADER JACK	38	02
08	0503060181	WHEEL AND TIRE	30	02
08..	0503060094	WHEEL AND TIRE ASSY	31	02
08..	0503060091	L29.5"X0.63"-10L WHEEL AND	32	02
09	0501040257	3/4 X 1200 HOSE HOLDER A	36	01
10	0521053516	ASSY PORT MANUAL INSTRUCCION		01
11	0501047895	ROD STOP		06
12	0501047885	ROD STOP		04
13	0501063963	FRONT SCRAPER		17
14	0501063962	REAR SCRAPER		17
15	0521058303	CAT 2-3 TRANSPORT BAR ASSY	37	01
16	0503013150	1300 X 3/8 CHAIN		01
17	0521068803	FRONT STABILIZER BAR		01
18	0521068804	REAR STABILIZER BAR		01
19	0521067573	1000 GNFM TRANSPORT BAR		01
20	0501011432	1-1/2" AND 1-5/8 GANG BOLT WRENCH		02
21	0501061617	1" GANG BOLT WRENCH		01
22	0501068273	5/8" WRENCH		01
23	0531019497	1.5" X 9.2" ARTICULATED AXIS		01
24	0531019540	FLAT WASHER		01
25	0501011301	1.1/2 UNC 6FPP 2.5/16 NUT		01
26	0503010571	1/4" X 1.1/2 COTTERPIN		06
27	0521010779	31.75 X 95 COUPLING SHAFT		01
28	0503010523	1/4" X 2" COTTERPIN		01
29	0501011106	1-1/4" X 7" SCREW		01

**ASSY FRAME 48**

0909094928

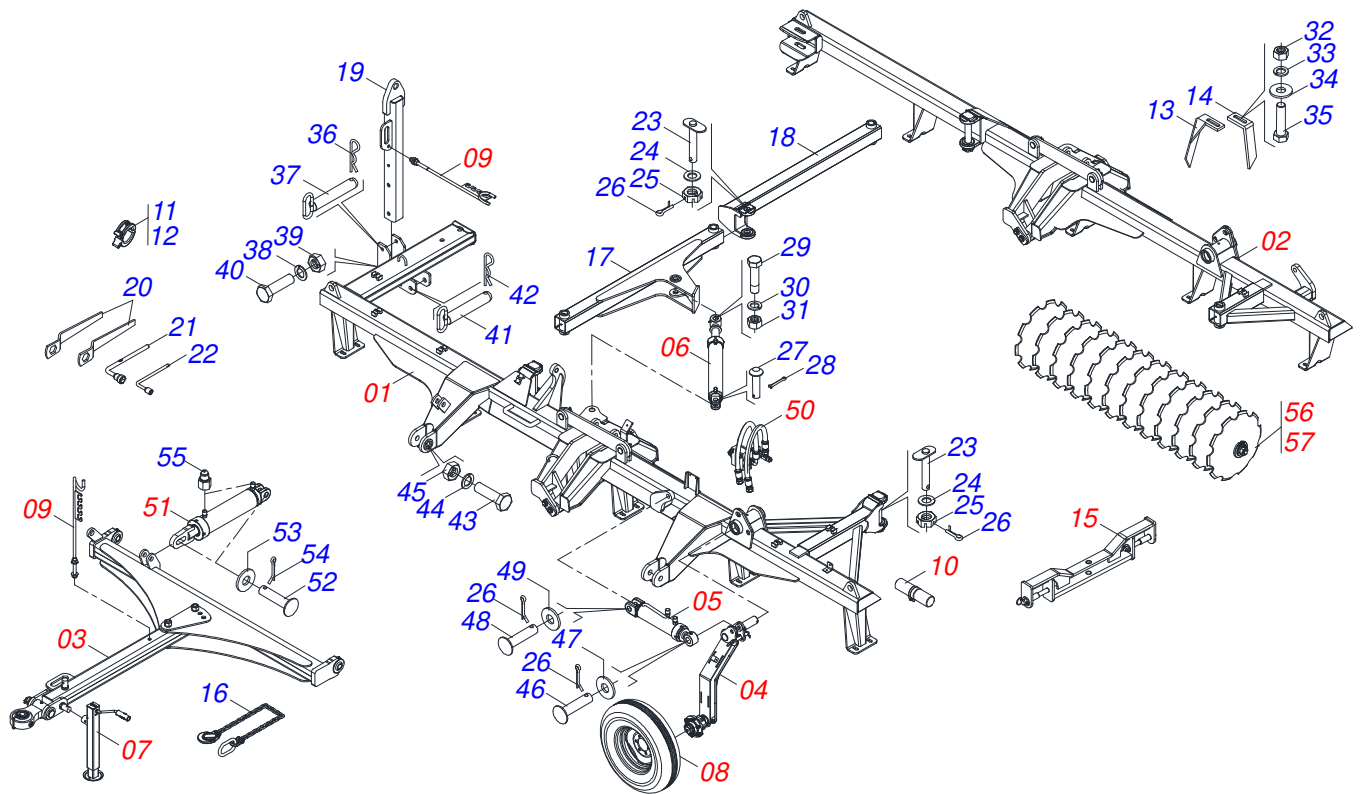
<b>Item</b>	<b>Code</b>	<b>Description</b>	<b>See page</b>	<b>QT</b>
30	0503010070	SPRING WASHER		01
31	0501010087	1.1/4" NUT		01
32	0503010060	1/2" NUT		68
33	0503010019	1/2" SPRING WASHER		68
34	0511017302	FLAT WASHER		68
35	0503011082	C1/2" X 1.3/4" SCREW		68
36	0503030012	HAIR PIN		01
37	0521064088	LOCK AXLE		01
38	0503010012	1" SPRING WASHER		01
39	0503012182	1" NUT		01
40	0501010334	1" X 7" BOLT		01
41	0521067644	JUNCTION SHAFT		01
42	0503031035	HAIR PIN		01
43	0501010426	1-1/4" X 6" SCREW		01
44	0503010070	SPRING WASHER		01
45	0501010087	1.1/4" NUT		01
46	0521010545	1.2" X 5.1" COUPLING SHAFT		02
47	0501017779	32 X 60 X 4.75 FLAT WASHER		02
48	0521010575	C0.9" X 3.3" COUPLING SHAFT		02
49	0501011445	FLAT WASHER		02
50	0909094921	HYDRAULIC CIRCUIT - 48/52/56/60/64D	40	01
51	0521058302	HYDRAULIC CYLINDER 44,45X85,7X600X265	42	01
52	0521010575	C0.9" X 3.3" COUPLING SHAFT		02
53	0501011445	FLAT WASHER		02
54	0503010571	1/4" X 1.1/2 COTTERPIN		02
55	0511018012	HIDRAULIC ADAPTER		02
56	0909094924	FRONT GANG DISC - 48/52/56/60/64D	43	01
57	0909094926	REAR GANG DISC - 48/52/56/60/64D	45	01



Item	Code	Description	See page	52	56	60
01	0521053383	FRONT FRAME SEMI MOUNTED 52D	6	01	00	00
01.	0521053365	FRONT FRAME SEMI MOUNTED 56D	7	00	01	00
01..	0521053507	FRONT FRAME SEMI MOUNTED 60	8	00	00	01
02	0521053386	REAR FRAME 52D	16	01	00	00
02.	0521053363	REAR FRAME 56D	17	00	01	00
02..	0521053508	REAR FRAME 60D	18	00	00	01
03	0521044870	DRAWBAR ASSY	26	01	01	01
04	0521048125	WHEELS ASSY	29	02	02	02
05	0511058421	38,10X63,50X405X170 HYDRAULIC CYLINDER	35	02	02	02
06	0511058461	HYDRAULIC CYLINDER	34	01	01	01
07	0503062157	HEADER JACK	38	02	02	02
08	0503060181	WHEEL AND TIRE	30	02	02	02
08.	0503060094	WHEEL AND TIRE ASSY	31	02	02	02
08..	0503060091	L29.5"X0.63"-10L WHEEL AND	32	02	02	02
09	0501040257	3/4 X 1200 HOSE HOLDER A	36	01	01	01
10	0521053516	ASSY PORT MANUAL INSTRUCION		01	01	01
11	0501047895	ROD STOP		06	06	06
12	0501047885	ROD STOP		04	04	04
13	0501063963	FRONT SCRAPER		17	21	23
14	0501063962	REAR SCRAPER		17	21	23
15	0521058303	CAT 2-3 TRANSPORT BAR ASSY	37	01	01	01
16	0503013150	1300 X 3/8 CHAIN		01	01	01
17	0521068803	FRONT STABILIZER BAR		01	01	01
18	0521068804	REAR STABILIZER BAR		01	01	01
19	0521067573	1000 GNFM TRANSPORT BAR		01	01	01
20	0501011432	1-1/2" AND 1-5/8 GANG BOLT WRENCH		02	02	02
21	0501061617	1" GANG BOLT WRENCH		01	01	01
22	0501068273	5/8" WRENCH		01	01	01
23	0531019497	1.5" X 9.2" ARTICULATED AXIS		01	01	01
24	0531019540	FLAT WASHER		01	01	01
25	0501011301	1.1/2 UNC 6FPP 2.5/16 NUT		01	01	01

**ASSY FRAME 52/56/60 DISC**

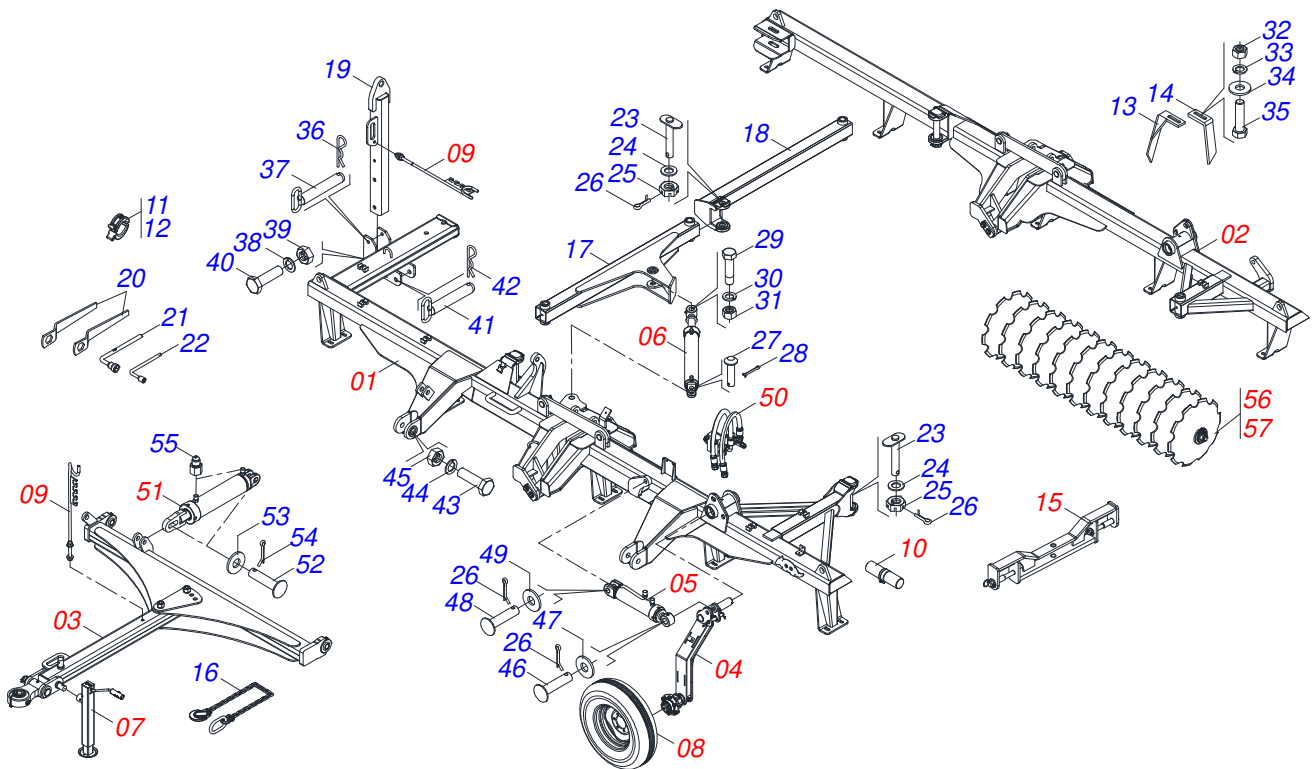
<b>Item</b>	<b>Code</b>	<b>Description</b>	<b>See page</b>	<b>52</b>	<b>56</b>	<b>60</b>
26	0503010571	1/4" X 1.1/2 COTTERPIN		06	06	06
27	0521010779	31.75 X 95 COUPLING SHAFT		01	01	01
28	0503010523	1/4" X 2" COTTERPIN		01	01	01
29	0501011106	1-1/4" X 7" SCREW		01	01	01
30	0503010070	SPRING WASHER		01	01	01
31	0501010087	1.1/4" NUT		01	01	01
32	0503010060	1/2" NUT		68	84	92
33	0503010019	1/2" SPRING WASHER		68	84	92
34	0511017302	FLAT WASHER		68	84	92
35	0503011082	C1/2" X 1.3/4" SCREW		68	84	92
36	0503030012	HAIR PIN		01	01	01
37	0521064088	LOCK AXLE		01	01	01
38	0503010012	1" SPRING WASHER		01	01	01
39	0503012182	1" NUT		01	01	01
40	0501010334	1" X 7" BOLT		01	01	01
41	0521067644	JUNCTION SHAFT		01	01	01
42	0503031035	HAIR PIN		01	01	01
43	0501010426	1-1/4" X 6" SCREW		01	01	01
44	0503010070	SPRING WASHER		01	01	01
45	0501010087	1.1/4" NUT		01	01	01
46	0521010545	1.2" X 5.1" COUPLING SHAFT		02	02	02
47	0501017779	32 X 60 X 4.75 FLAT WASHER		02	02	02
48	0521010575	C0.9" X 3.3" COUPLING SHAFT		02	02	02
49	0501011445	FLAT WASHER		02	02	02
50	0909094921	HYDRAULIC CIRCUIT - 48/52/56/60/64D	40	01	01	01
51	0521058302	HYDRAULIC CYLINDER 44,45X85,7X600X265	42	01	01	01
52	0521010575	C0.9" X 3.3" COUPLING SHAFT		02	02	02
53	0501011445	FLAT WASHER		02	02	02
54	0503010571	1/4" X 1.1/2 COTTERPIN		02	02	02
55	0511018012	HIDRAULIC ADAPTER		02	02	02
56	0909094924	FRONT GANG DISC - 48/52/56/60/64D	43	01	01	01
57	0909094926	REAR GANG DISC - 48/52/56/60/64D	45	01	01	01



Item	Code	Description	See page	064 068 072
01	0521053509	FRONT FRAME SEMI MOUNTED 64D	9	001 000 000
01.	0521053512	FRONT FRAME SEMI MOUNTED 68D	10	000 001 000
01..	0521053368	FRONT FRAME SEMI MOUNTED 72D	11	000 000 001
02	0521053510	REAR FRAME 64D	19	001 000 000
02.	0521053511	REAR FRAME 68D	20	000 001 000
02..	0521053397	REAR FRAME 72D	21	000 000 000
03	0521044870	DRAWBAR ASSY	26	001 001 001
04	0521048125	WHEELS ASSY	29	002 002 002
05	0511058421	38,10X63,50X405X170 HYDRAULIC CYLINDER	35	002 002 002
06	0511058461	HYDRAULIC CYLINDER	34	001 001 001
07	0503062157	HEADER JACK	38	002 002 002
08	0503060181	WHEEL AND TIRE	30	002 002 002
08.	0503060094	WHEEL AND TIRE ASSY	31	002 002 002
08..	0503060091	L29.5"X0.63"-10L WHEEL AND	32	002 002 002
09	0501040257	3/4 X 1200 HOSE HOLDER A	36	001 001 001
10	0521053516	ASSY PORT MANUAL INSTRUCCION		001 001 001
11	0501047895	ROD STOP		006 006 006
12	0501047885	ROD STOP		004 004 004
13	0501063963	FRONT SCRAPER		023 025 027
14	0501063962	REAR SCRAPER		023 025 027
15	0521058303	CAT 2-3 TRANSPORT BAR ASSY	37	001 001 001
16	0503013150	1300 X 3/8 CHAIN		001 001 001
17	0521068803	FRONT STABILIZER BAR		001 001 001
18	0521068804	REAR STABILIZER BAR		001 001 001
19	0521067573	1000 GNFM TRANSPORT BAR		001 001 001
20	0501011432	1-1/2" AND 1-5/8 GANG BOLT WRENCH		002 002 002
21	0501061617	1" GANG BOLT WRENCH		001 001 001
22	0501068273	5/8" WRENCH		001 001 001
23	0531019497	1.5" X 9.2" ARTICULATED AXIS		001 001 001
24	0531019540	FLAT WASHER		001 001 001
25	0501011301	1.1/2 UNC 6FPP 2.5/16 NUT		001 001 001



Item	Code	Description	See page	064 068 072
26	0503010571	1/4" X 1.1/2 COTTERPIN		006 006 006
27	0521010779	31.75 X 95 COUPLING SHAFT		001 001 001
28	0503010523	1/4" X 2" COTTERPIN		001 001 001
29	0501011106	1-1/4" X 7" SCREW		001 001 001
30	0503010070	SPRING WASHER		001 001 001
31	0501010087	1.1/4" NUT		001 001 001
32	0503010060	1/2" NUT		092 100 108
33	0503010019	1/2" SPRING WASHER		092 100 108
34	0511017302	FLAT WASHER		092 100 108
35	0503011082	C1/2" X 1.3/4" SCREW		092 100 108
36	0503030012	HAIR PIN		001 001 001
37	0521064088	LOCK AXLE		001 001 001
38	0503010012	1" SPRING WASHER		001 001 001
39	0503012182	1" NUT		001 001 001
40	0501010334	1" X 7" BOLT		001 001 001
41	0521067644	JUNCTION SHAFT		001 001 001
42	0503031035	HAIR PIN		001 001 001
43	0501010426	1-1/4" X 6" SCREW		001 001 001
44	0503010070	SPRING WASHER		001 001 001
45	0501010087	1.1/4" NUT		001 001 001
46	0521010545	1.2" X 5.1" COUPLING SHAFT		002 002 002
47	0501017779	32 X 60 X 4.75 FLAT WASHER		002 002 002
48	0521010575	C0.9" X 3.3" COUPLING SHAFT		002 002 002
49	0501011445	FLAT WASHER		002 002 002
50	0909094921	HYDRAULIC CIRCUIT - 48/52/56/60/64D	40	001 000 000
50.	0909094922	HYDRAULIC CIRCUIT - 68/72/76/80/84D	41	000 001 001
51	0521058302	HYDRAULIC CYLINDER 44,45X85,7X600X265	42	001 001 001
52	0521010575	C0.9" X 3.3" COUPLING SHAFT		002 002 002
53	0501011445	FLAT WASHER		002 002 002
54	0503010571	1/4" X 1.1/2 COTTERPIN		002 002 002
55	0511018012	HIDRAULIC ADAPTER		002 002 002
56	0909094924	FRONT GANG DISC - 48/52/56/60/64D	43	001 000 000
56.	0909094925	FRONT GANG DISC - 68/72/76/80/84D	44	000 001 001
57	0909094926	REAR GANG DISC - 48/52/56/60/64D	45	001 000 000
57.	0909094927	REAR GANG DISC - 68/72/76/80/84D	46	000 001 001

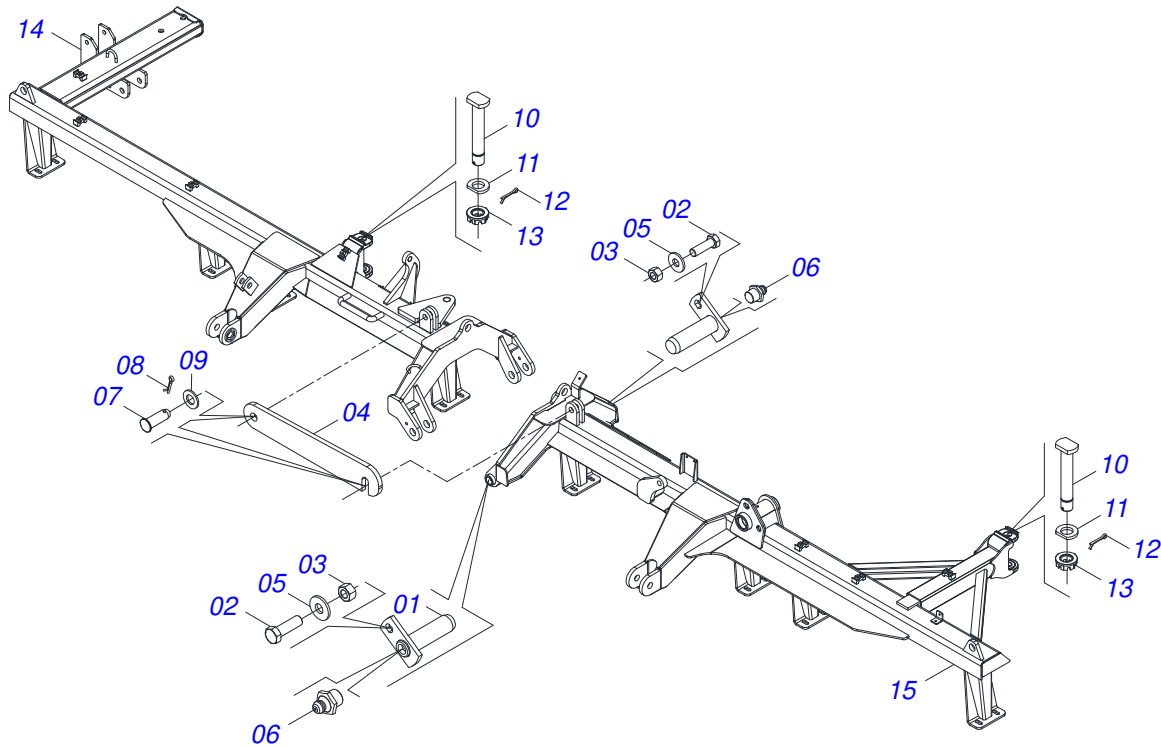


Item	Code	Description	See page	076 080 084
01	0521054034	FRONT FRAME SEMI MOUNTED 76D	12	001 000 000
01.	0521054037	FRONT FRAME SEMI MOUNTED 80D	13	000 001 000
01..	0521053986	FRONT FRAME SEMI MOUNTED 84D	14	000 000 001
02	0521054033	REAR FRAME 76D	22	001 000 000
02.	0521054038	REAR FRAME 80D	23	000 001 000
02..	0521053985	REAR FRAME 84D	24	000 000 001
03	0521044870	DRAWBAR ASSY	26	001 001 001
04	0521048125	WHEELS ASSY	29	002 002 002
05	0511058421	38,10X63,50X405X170 HYDRAULIC CYLINDER	35	002 002 002
06	0511058461	HYDRAULIC CYLINDER	34	001 001 001
07	0503062157	HEADER JACK	38	002 002 002
08	0503060181	WHEEL AND TIRE	30	002 002 002
08.	0503060094	WHEEL AND TIRE ASSY	31	002 002 002
08..	0503060091	L29.5"X0.63"-10L WHEEL AND	32	002 002 002
09	0501040257	3/4 X 1200 HOSE HOLDER A	36	001 001 001
10	0521053516	ASSY PORT MANUAL INSTRUCCION		001 001 001
11	0501047895	ROD STOP		006 006 006
12	0501047885	ROD STOP		004 004 004
13	0501063963	FRONT SCRAPER		027 029 029
14	0501063962	REAR SCRAPER		027 029 029
15	0521058303	CAT 2-3 TRANSPORT BAR ASSY	37	001 001 001
16	0503013150	1300 X 3/8 CHAIN		001 001 001
17	0521068803	FRONT STABILIZER BAR		001 001 001
17.	0521069184	FRONT STABILIZER BAR		001 001 001
18	0521068804	REAR STABILIZER BAR		001 001 001
18.	0521069193	REAR STABILIZER BAR		001 001 001
19	0521067573	1000 GNFM TRANSPORT BAR		001 001 001
20	0501011432	1-1/2" AND 1-5/8 GANG BOLT WRENCH		002 002 002
21	0501061617	1" GANG BOLT WRENCH		001 001 001
22	0501068273	5/8" WRENCH		001 001 001
23	0531019497	1.5" X 9.2" ARTICULATED AXIS		001 001 001

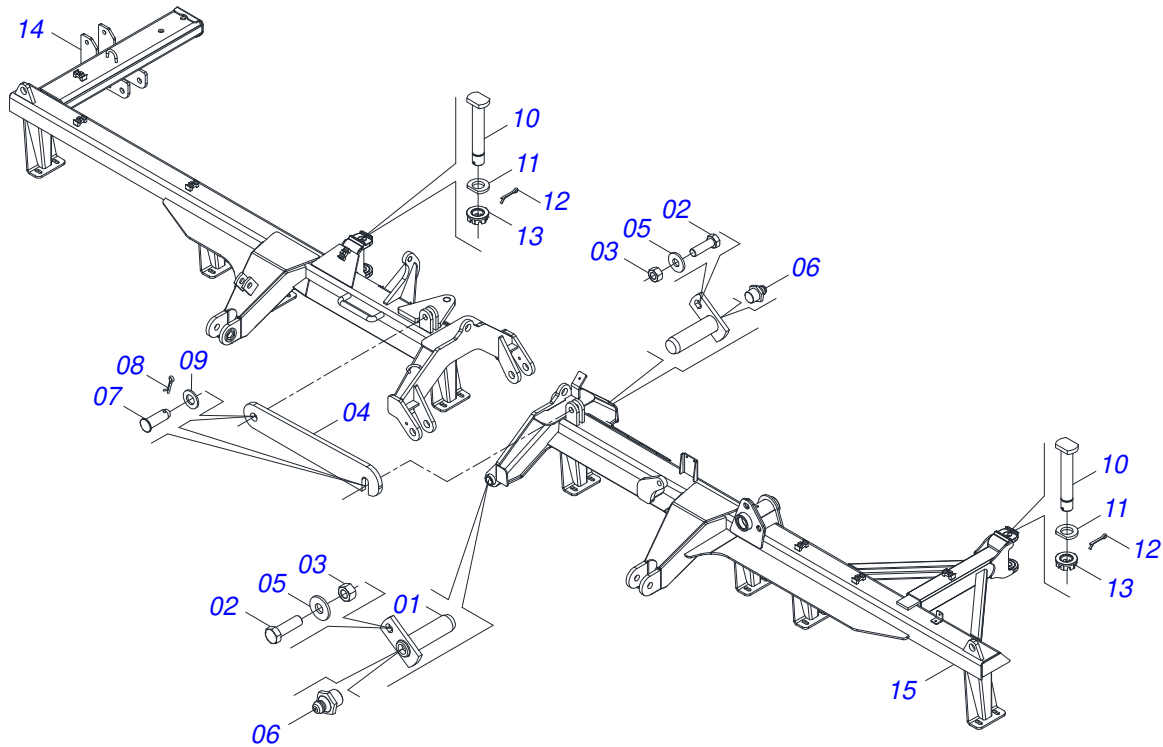
**ASSY FRAME 76/80/84 DISC**

0909094931

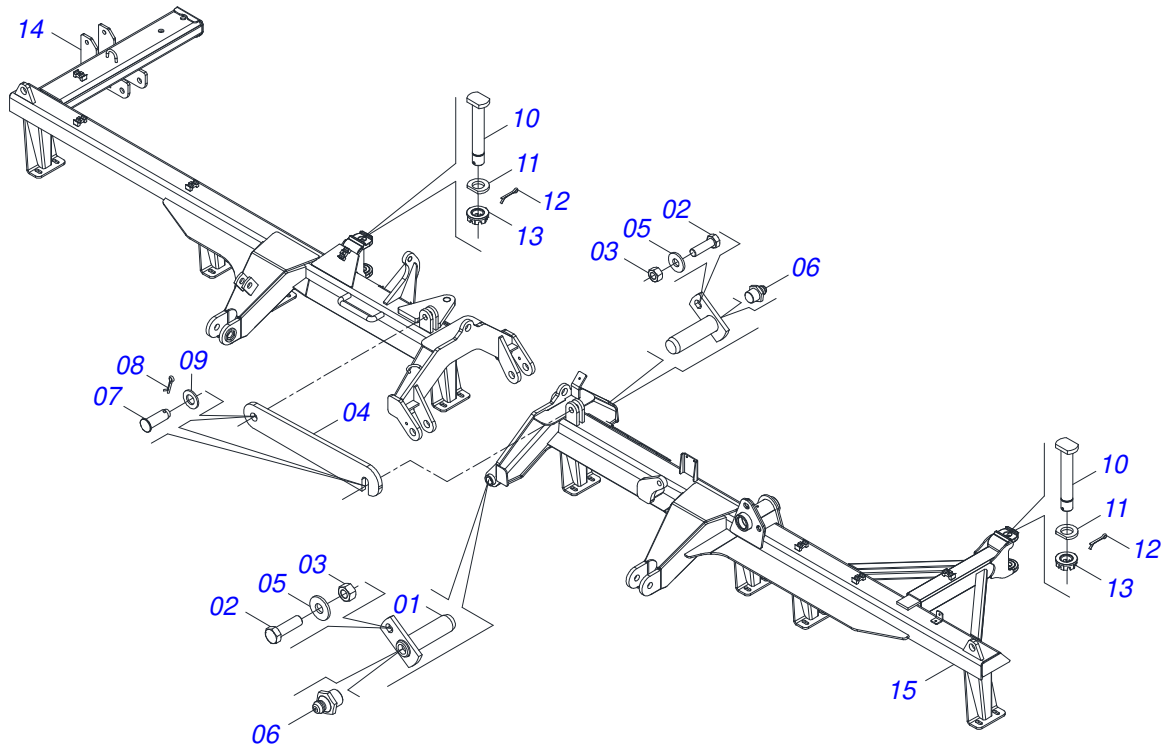
<b>Item</b>	<b>Code</b>	<b>Description</b>	<b>See page</b>	<b>076 080 084</b>
24	0531019540	FLAT WASHER		001 001 001
25	0501011301	1.1/2 UNC 6FPP 2.5/16 NUT		001 001 001
26	0503010571	1/4" X 1.1/2 COTTERPIN		006 006 006
27	0521010779	31.75 X 95 COUPLING SHAFT		001 001 001
28	0503010523	1/4" X 2" COTTERPIN		001 001 001
29	0501011106	1-1/4" X 7" SCREW		001 001 001
30	0503010070	SPRING WASHER		001 001 001
31	0501010087	1.1/4" NUT		001 001 001
32	0503010060	1/2" NUT		108 116 116
33	0503010019	1/2" SPRING WASHER		108 116 116
34	0511017302	FLAT WASHER		108 116 116
35	0503011082	C1/2" X 1.3/4" SCREW		108 116 116
36	0503030012	HAIR PIN		001 001 001
37	0521064088	LOCK AXLE		001 001 001
38	0503010012	1" SPRING WASHER		001 001 001
39	0503012182	1" NUT		001 001 001
40	0501010334	1" X 7" BOLT		001 001 001
41	0521067644	JUNCTION SHAFT		001 001 001
42	0503031035	HAIR PIN		001 001 001
43	0501010426	1-1/4" X 6" SCREW		001 001 001
44	0503010070	SPRING WASHER		001 001 001
45	0501010087	1.1/4" NUT		001 001 001
46	0521010545	1.2" X 5.1" COUPLING SHAFT		002 002 002
47	0501017779	32 X 60 X 4.75 FLAT WASHER		002 002 002
48	0521010575	C0.9" X 3.3" COUPLING SHAFT		002 002 002
49	0501011445	FLAT WASHER		002 002 002
50	0909094922	HYDRAULIC CIRCUIT - 68/72/76/80/84D	41	001 001 001
51	0521058302	HYDRAULIC CYLINDER 44,45X85,7X600X265	42	001 001 001
52	0521010575	C0.9" X 3.3" COUPLING SHAFT		002 002 002
53	0501011445	FLAT WASHER		002 002 002
54	0503010571	1/4" X 1.1/2 COTTERPIN		002 002 002
55	0511018012	HIDRAULIC ADAPTER		002 002 002
56	0909094925	FRONT GANG DISC - 68/72/76/80/84D	44	001 001 001
57	0909094927	REAR GANG DISC - 68/72/76/80/84D	46	001 001 001



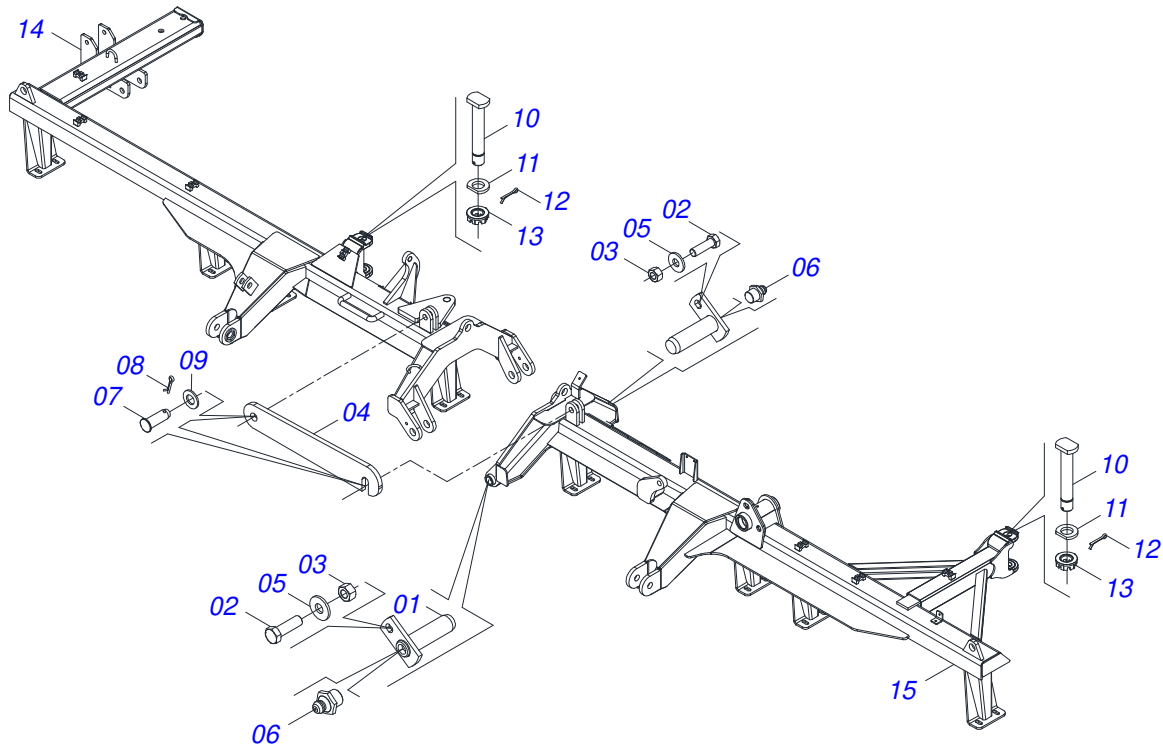
Item	Code	Description	See page	QT
001	0501063751	1.5" X 5.5" PIVOT SHAFT		02
002	0501010100	SCREW 5/8 UNC X 2 CS G.5 ZN		02
003	0503010013	5/8" NUT		02
004	0501018941	TRANSPORT LOCK		01
005	0501012140	FLAT WASHER		02
006	0503010002	1800 GREASE FITTING		02
007	0521010592	1.1" X 3.1" COUPLING SHAFT		02
008	0503010571	1/4" X 1.1/2" COTTERPIN		02
009	0511017480	FLAT WASHER		02
010	0531019497	1.5" X 9.2" ARTICULATED AXIS		02
011	0531019540	FLAT WASHER		02
012	0503010010	1/4" X 2.1/2" COTTERPIN		02
013	0501011301	1.1/2 UNC 6FPP 2.5/16 NUT		02
014	0521068832	RIGHT FRONT FRAME 48D		01
015	0521068831	LEFT FRONT FRAME 48D		01



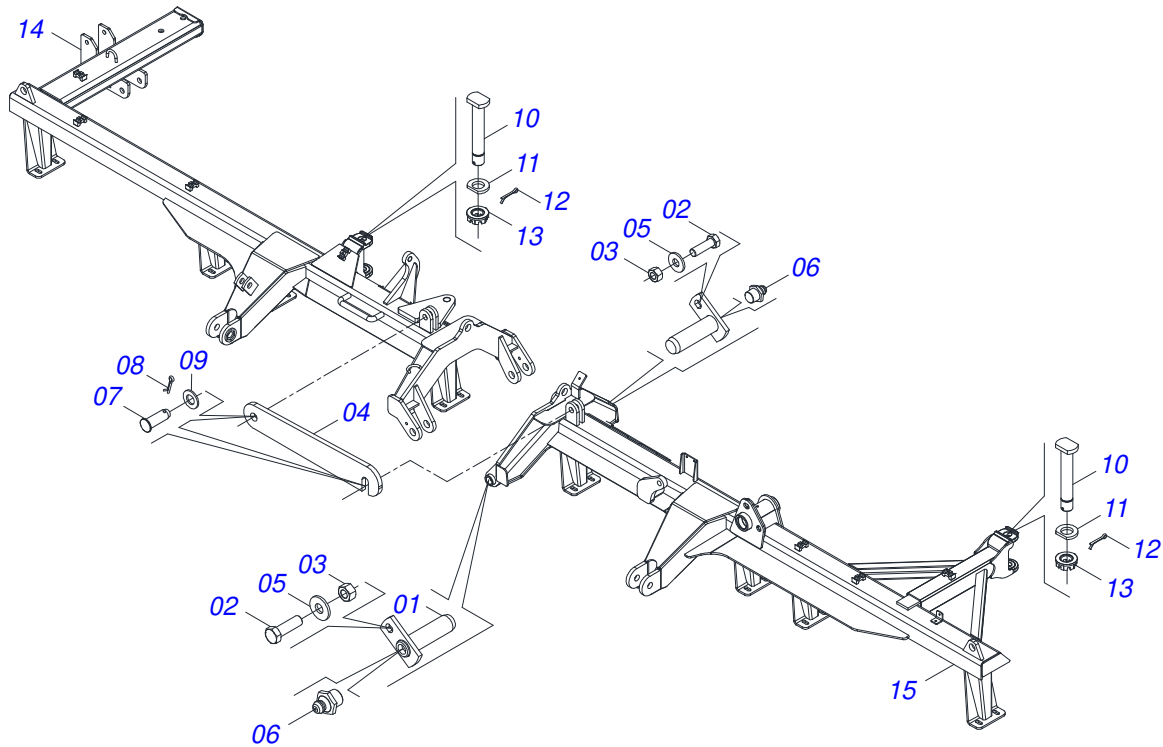
Item	Code	Description	See page	QT
001	0501063751	1.5" X 5.5" PIVOT SHAFT		02
002	0501010100	SCREW 5/8 UNC X 2 CS G.5 ZN		02
003	0503010013	5/8" NUT		02
004	0501018941	TRANSPORT LOCK		01
005	0501012140	FLAT WASHER		02
006	0503010002	1800 GREASE FITTING		02
007	0521010592	1.1" X 3.1" COUPLING SHAFT		02
008	0503010571	1/4" X 1.1/2" COTTERPIN		02
009	0511017480	FLAT WASHER		02
010	0531019497	1.5" X 9.2" ARTICULATED AXIS		02
011	0531019540	FLAT WASHER		02
012	0503010010	1/4" X 2.1/2" COTTERPIN		02
013	0501011301	1.1/2 UNC 6FPP 2.5/16 NUT		02
014	0521068916	RIGHT FRONT FRAME 52		01
015	0521068915	LEFT FRONT FRAME 52		01



Item	Code	Description	See page	QT
001	0501063751	1.5" X 5.5" PIVOT SHAFT		02
002	0501010100	SCREW 5/8 UNC X 2 CS G.5 ZN		02
003	0503010013	5/8" NUT		02
004	0501018941	TRANSPORT LOCK		01
005	0501012140	FLAT WASHER		02
006	0503010002	1800 GREASE FITTING		02
007	0521010592	1.1" X 3.1" COUPLING SHAFT		02
008	0503010571	1/4" X 1.1/2" COTTERPIN		02
009	0511017480	FLAT WASHER		02
010	0531019497	1.5" X 9.2" ARTICULATED AXIS		02
011	0531019540	FLAT WASHER		02
012	0503010010	1/4" X 2.1/2" COTTERPIN		02
013	0501011301	1.1/2 UNC 6FPP 2.5/16 NUT		02
014	0521068898	RIGHT FRONT FRAME 56D		01
015	0521068899	LEFT FRONT FRAME 56D		01

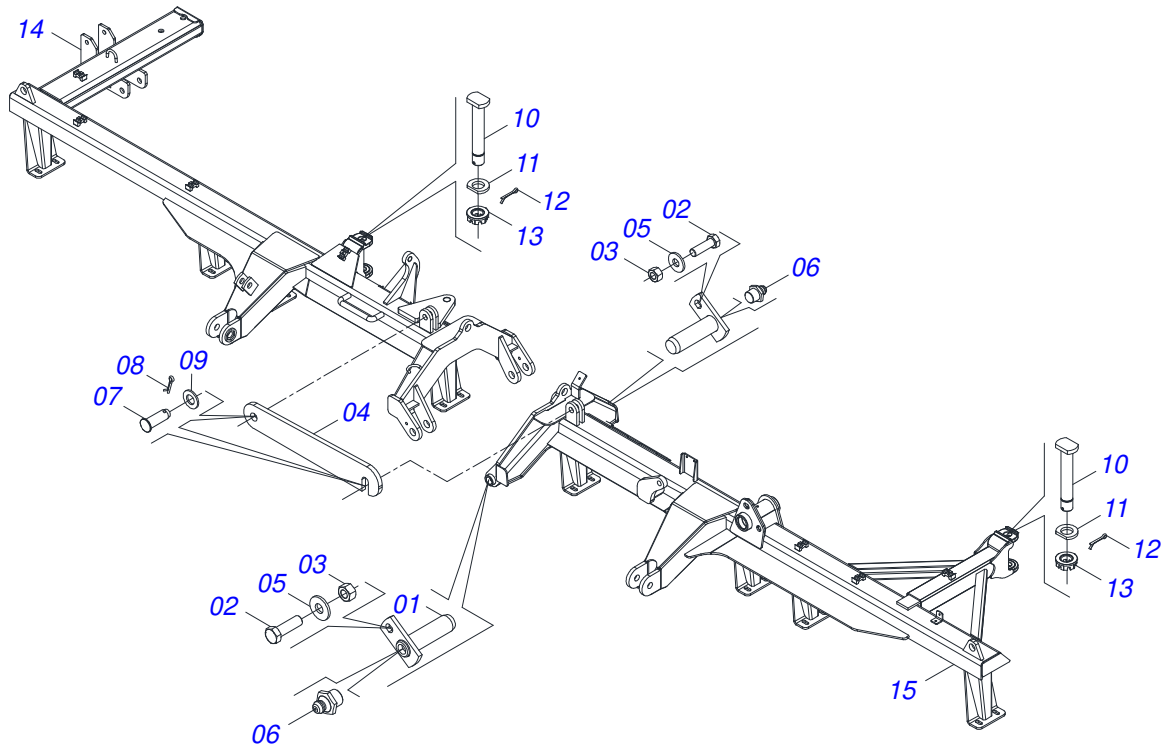


Item	Code	Description	See page	QT
001	0501063751	1.5" X 5.5" PIVOT SHAFT		02
002	0501010100	SCREW 5/8 UNC X 2 CS G.5 ZN		02
003	0503010013	5/8" NUT		02
004	0501018941	TRANSPORT LOCK		01
005	0501012140	FLAT WASHER		02
006	0503010002	1800 GREASE FITTING		02
007	0521010592	1.1" X 3.1" COUPLING SHAFT		02
008	0503010571	1/4" X 1.1/2" COTTERPIN		02
009	0511017480	FLAT WASHER		02
010	0531019497	1.5" X 9.2" ARTICULATED AXIS		02
011	0531019540	FLAT WASHER		02
012	0503010010	1/4" X 2.1/2" COTTERPIN		02
013	0501011301	1.1/2 UNC 6FPP 2.5/16 NUT		02
014	0521068809	RIGHT FRONT FRAME 60D		01
015	0521068810	LEFT FRONT FRAME 60D		01

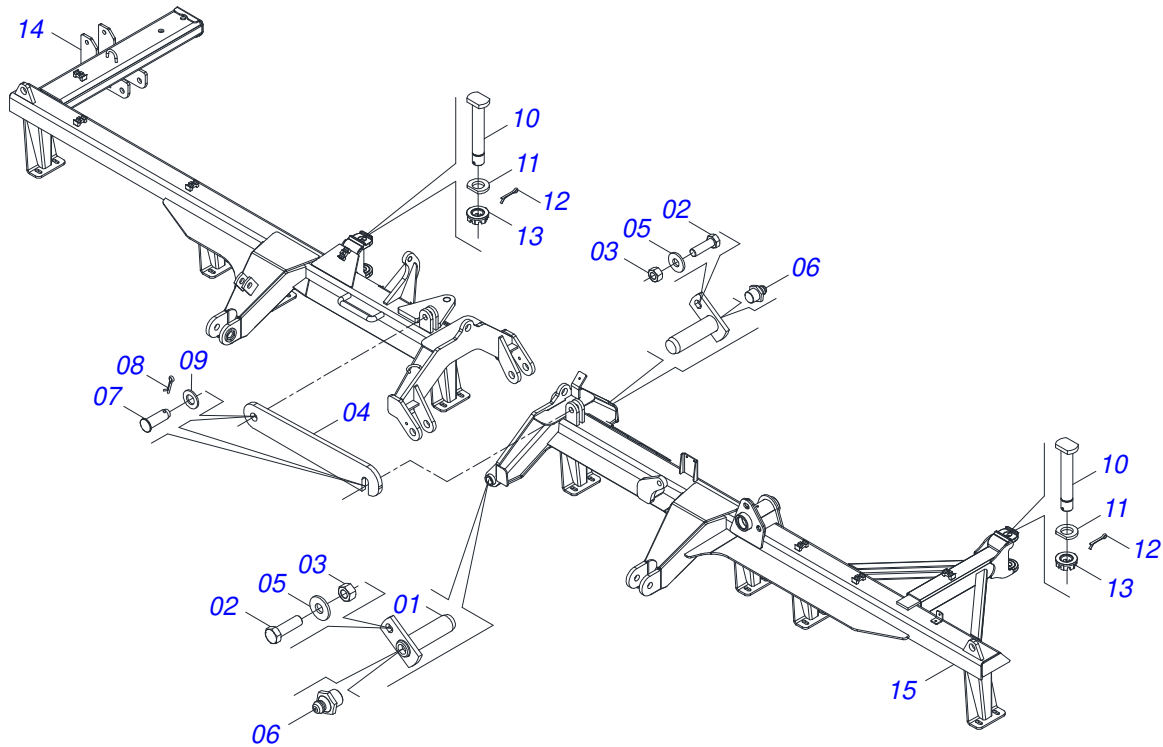


Item	Code	Description	See page	QT
001	0501063751	1.5" X 5.5" PIVOT SHAFT		02
002	0501010100	SCREW 5/8 UNC X 2 CS G.5 ZN		02
003	0503010013	5/8" NUT		02
004	0501018941	TRANSPORT LOCK		01
005	0501012140	FLAT WASHER		02
006	0503010002	1800 GREASE FITTING		02
007	0521010592	1.1" X 3.1" COUPLING SHAFT		02
008	0503010571	1/4" X 1.1/2" COTTERPIN		02
009	0511017480	FLAT WASHER		02
010	0531019497	1.5" X 9.2" ARTICULATED AXIS		02
011	0531019540	FLAT WASHER		02
012	0503010010	1/4" X 2.1/2" COTTERPIN		02
013	0501011301	1.1/2 UNC 6FPP 2.5/16 NUT		02
014	0521068783	RIGHT FRONT FRAME 64D		01
015	0521068782	LEFT FRONT FRAME 64D		01

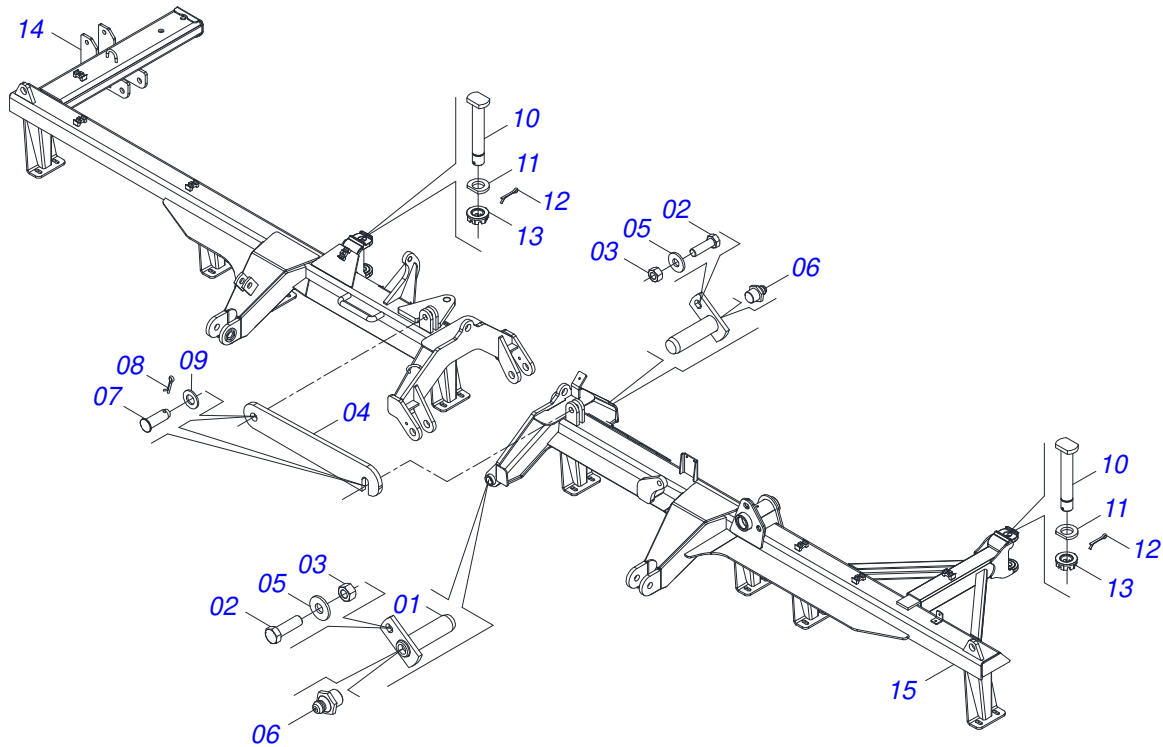




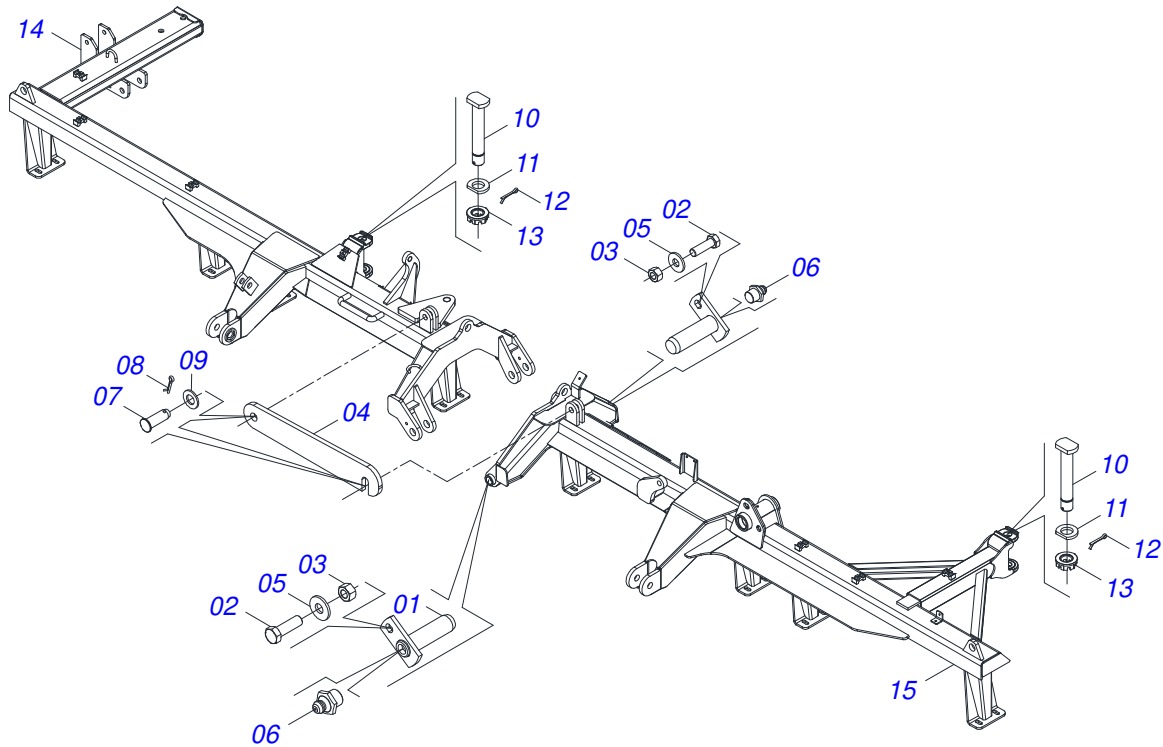
Item	Code	Description	See page	QT
001	0501063751	1.5" X 5.5" PIVOT SHAFT		02
002	0501010100	SCREW 5/8 UNC X 2 CS G.5 ZN		02
003	0503010013	5/8" NUT		02
004	0501018941	TRANSPORT LOCK		01
005	0501012140	FLAT WASHER		02
006	0503010002	1800 GREASE FITTING		02
007	0521010592	1.1" X 3.1" COUPLING SHAFT		02
008	0503010571	1/4" X 1.1/2" COTTERPIN		02
009	0511017480	FLAT WASHER		02
010	0531019497	1.5" X 9.2" ARTICULATED AXIS		02
011	0531019540	FLAT WASHER		02
012	0503010010	1/4" X 2.1/2" COTTERPIN		02
013	0501011301	1.1/2 UNC 6FPP 2.5/16 NUT		02
014	0521068780	RIGHT FRONT FRAME 68D		01
015	0521068779	LEFT FRONT FRAME 68		01



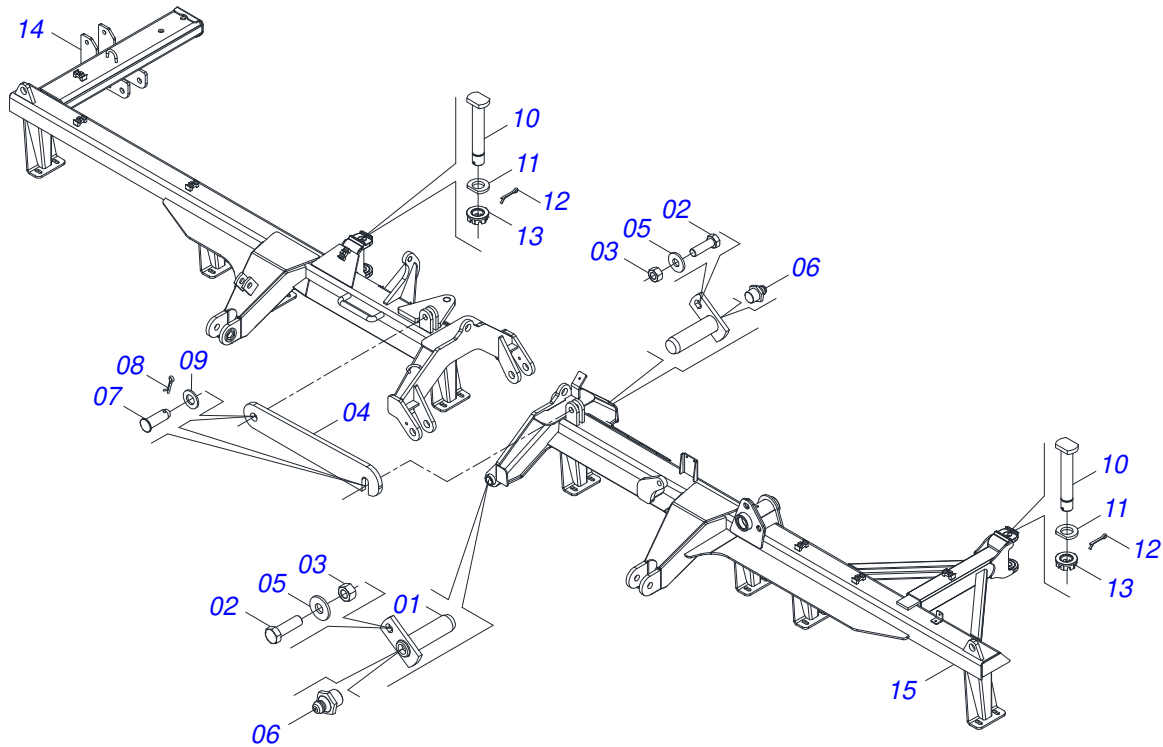
Item	Code	Description	See page	QT
001	0501063751	1.5" X 5.5" PIVOT SHAFT		02
002	0501010100	SCREW 5/8 UNC X 2 CS G.5 ZN		02
003	0503010013	5/8" NUT		02
004	0501018941	TRANSPORT LOCK		01
005	0501012140	FLAT WASHER		02
006	0503010002	1800 GREASE FITTING		02
007	0521010592	1.1" X 3.1" COUPLING SHAFT		02
008	0503010571	1/4" X 1.1/2" COTTERPIN		02
009	0511017480	FLAT WASHER		02
010	0531019497	1.5" X 9.2" ARTICULATED AXIS		02
011	0531019540	FLAT WASHER		02
012	0503010010	1/4" X 2.1/2" COTTERPIN		02
013	0501011301	1.1/2 UNC 6FPP 2.5/16 NUT		02
014	0521068774	RIGHT FRONT FRAME 72		01
015	0521068773	LEFT FRONT FRAME 72D		01



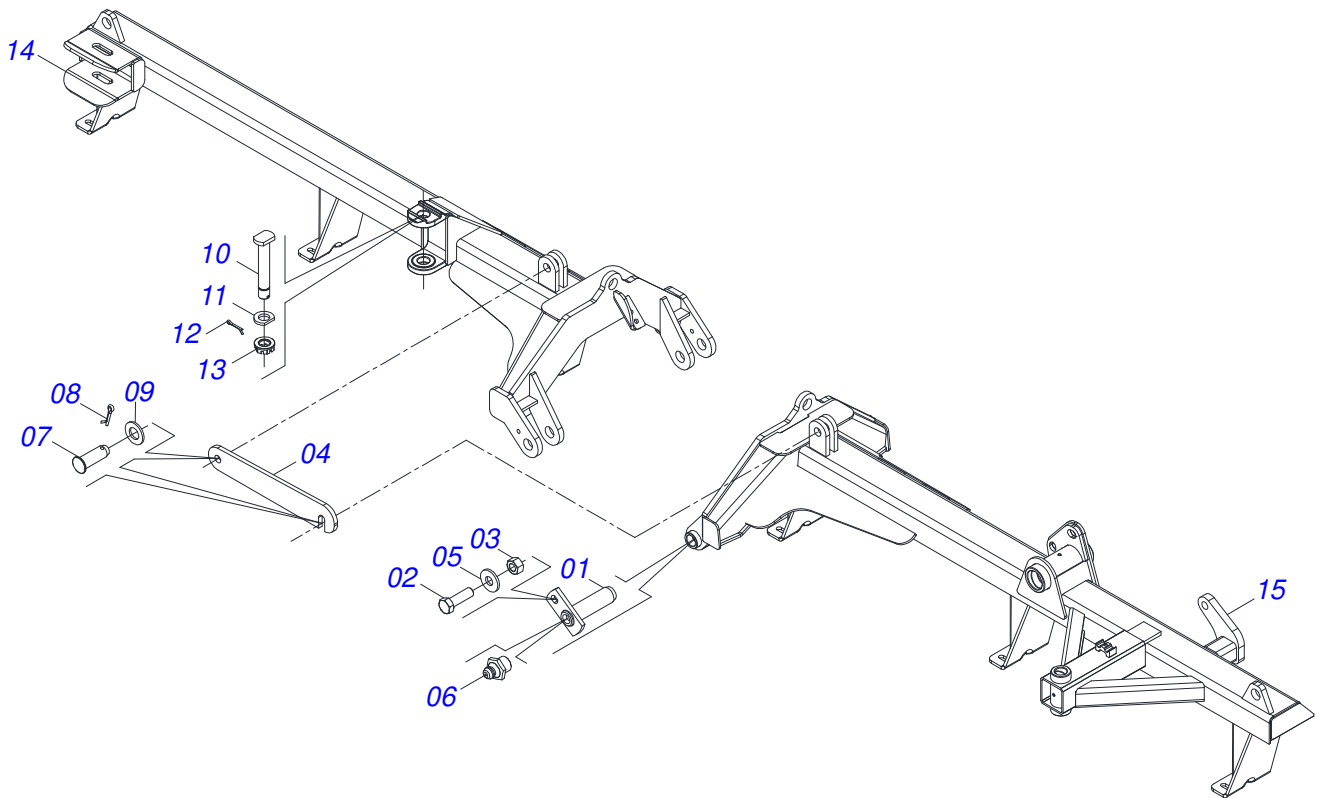
Item	Code	Description	See page	QT
001	0501063751	1.5" X 5.5" PIVOT SHAFT		02
002	0501010100	SCREW 5/8 UNC X 2 CS G.5 ZN		02
003	0503010013	5/8" NUT		02
004	0501018941	TRANSPORT LOCK		01
005	0501012140	FLAT WASHER		02
006	0503010002	1800 GREASE FITTING		02
007	0521010592	1.1" X 3.1" COUPLING SHAFT		02
008	0503010571	1/4" X 1.1/2" COTTERPIN		02
009	0511017480	FLAT WASHER		02
010	0531019497	1.5" X 9.2" ARTICULATED AXIS		02
011	0531019540	FLAT WASHER		02
012	0503010010	1/4" X 2.1/2" COTTERPIN		02
013	0501011301	1.1/2 UNC 6FPP 2.5/16 NUT		02
014	0521069226	RIGHT FRONT FRAME 76D		01
015	0521069215	LEFT FRONT FRAME 76D		01



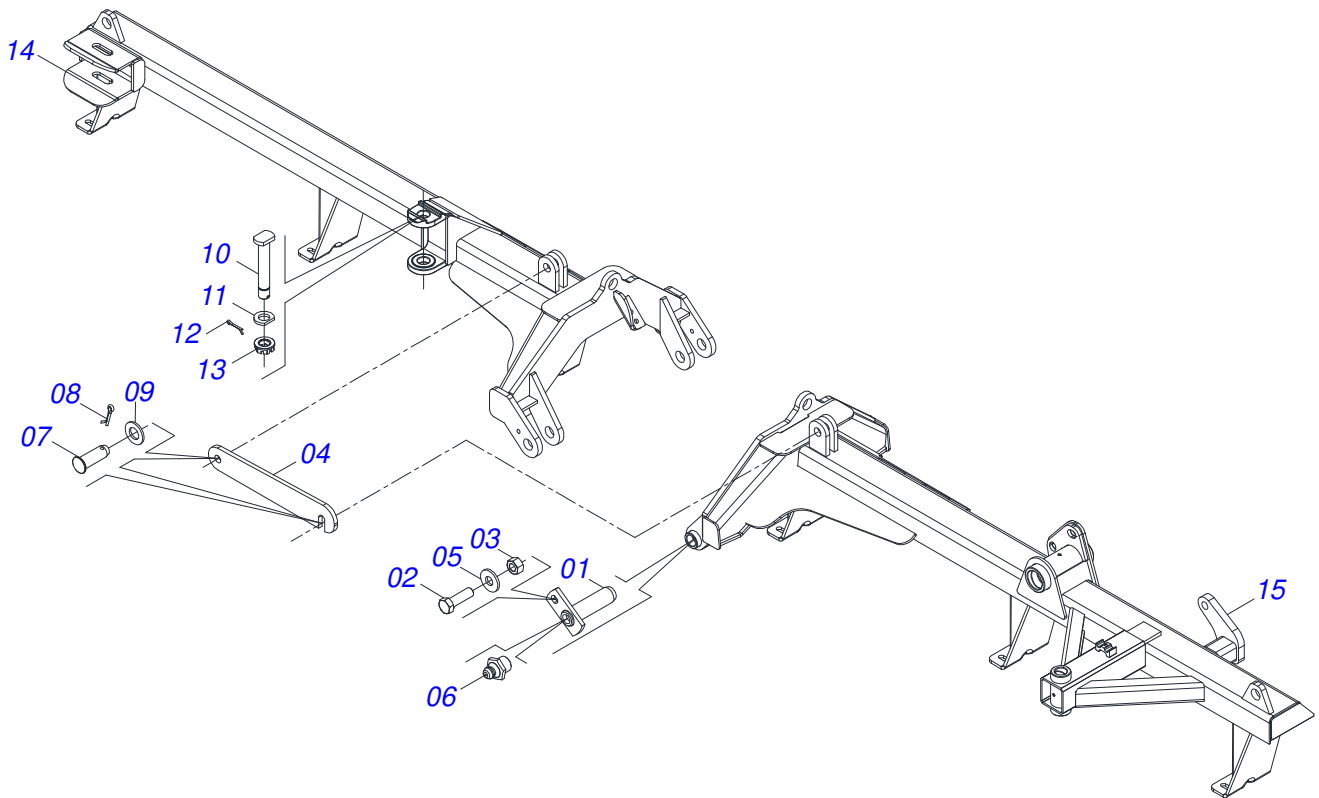
Item	Code	Description	See page	QT
001	0501063751	1.5" X 5.5" PIVOT SHAFT		02
002	0501010100	SCREW 5/8 UNC X 2 CS G.5 ZN		02
003	0503010013	5/8" NUT		02
004	0501018941	TRANSPORT LOCK		01
005	0501012140	FLAT WASHER		02
006	0503010002	1800 GREASE FITTING		02
007	0521010592	1.1" X 3.1" COUPLING SHAFT		02
008	0503010571	1/4" X 1.1/2" COTTERPIN		02
009	0511017480	FLAT WASHER		02
010	0531019497	1.5" X 9.2" ARTICULATED AXIS		02
011	0531019540	FLAT WASHER		02
012	0503010010	1/4" X 2.1/2" COTTERPIN		02
013	0501011301	1.1/2 UNC 6FPP 2.5/16 NUT		02
014	0521069219	RIGHT FRONT FRAME 80D		01
015	0521069218	LEFT FRONT FRAME 80D		01



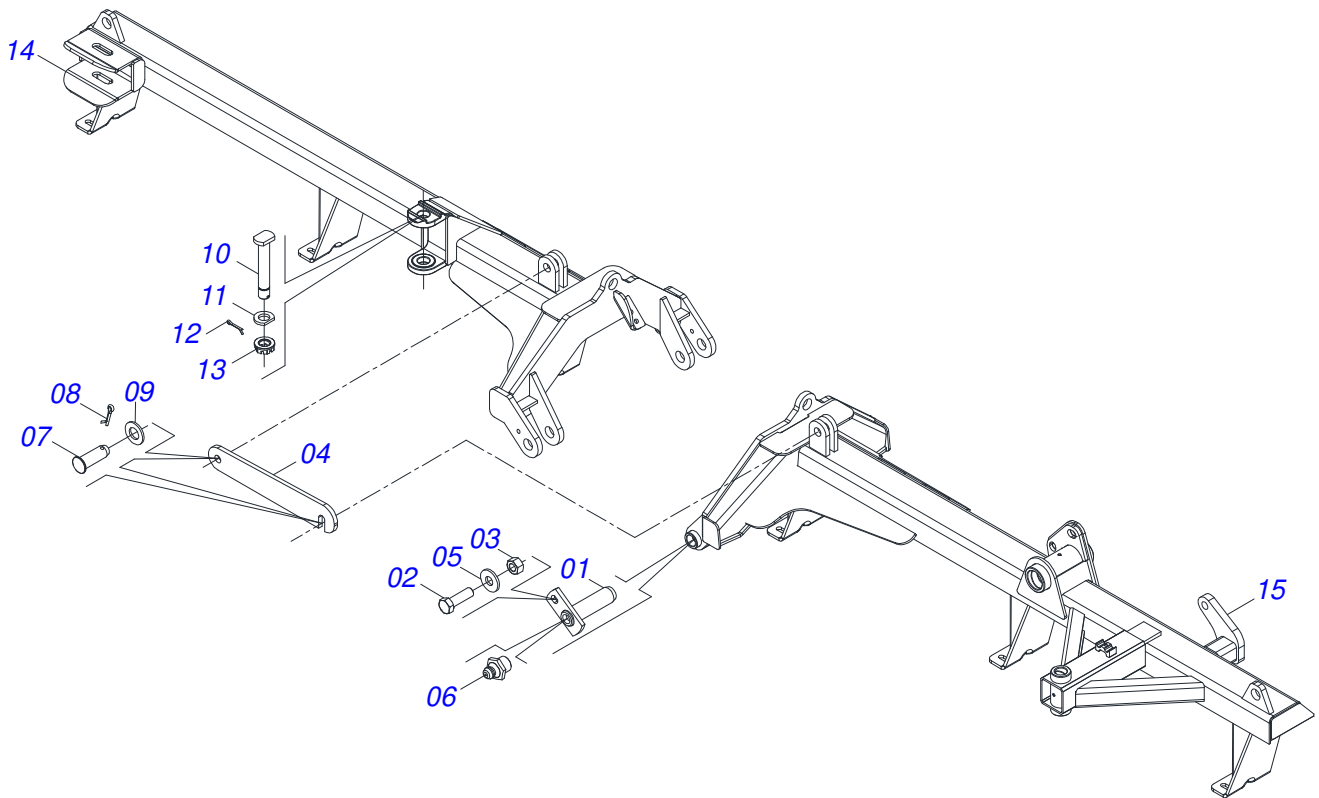
Item	Code	Description	See page	QT
001	0501063751	1.5" X 5.5" PIVOT SHAFT		02
002	0501010100	SCREW 5/8 UNC X 2 CS G.5 ZN		02
003	0503010013	5/8" NUT		02
004	0501018941	TRANSPORT LOCK		01
005	0501012140	FLAT WASHER		02
006	0503010002	1800 GREASE FITTING		02
007	0521010592	1.1" X 3.1" COUPLING SHAFT		02
008	0503010571	1/4" X 1.1/2" COTTERPIN		02
009	0511017480	FLAT WASHER		02
010	0531019497	1.5" X 9.2" ARTICULATED AXIS		02
011	0531019540	FLAT WASHER		02
012	0503010010	1/4" X 2.1/2" COTTERPIN		02
013	0501011301	1.1/2 UNC 6FPP 2.5/16 NUT		02
014	0521069186	RIGHT FRONT FRAME 84D		01
015	0521069188	LEFT FRONT FRAME 84D		01



Item	Code	Description	See page	QT
001	0501063751	1.5" X 5.5" PIVOT SHAFT		02
002	0501010100	SCREW 5/8 UNC X 2 CS G.5 ZN		02
003	0503010013	5/8" NUT		02
004	0501018941	TRANSPORT LOCK		01
005	0501012140	FLAT WASHER		02
006	0503010002	1800 GREASE FITTING		02
007	0521010592	1.1" X 3.1" COUPLING SHAFT		02
008	0503010571	1/4" X 1.1/2" COTTERPIN		02
009	0511017480	FLAT WASHER		02
010	0531019497	1.5" X 9.2" ARTICULATED AXIS		02
011	0531019540	FLAT WASHER		02
012	0503010010	1/4" X 2.1/2" COTTERPIN		02
013	0501011301	1.1/2 UNC 6FPP 2.5/16 NUT		02
014	0521068834	RIGHT REAR FRAME 48D		01
015	0521068833	LEFT REAR FRAME 48D		01

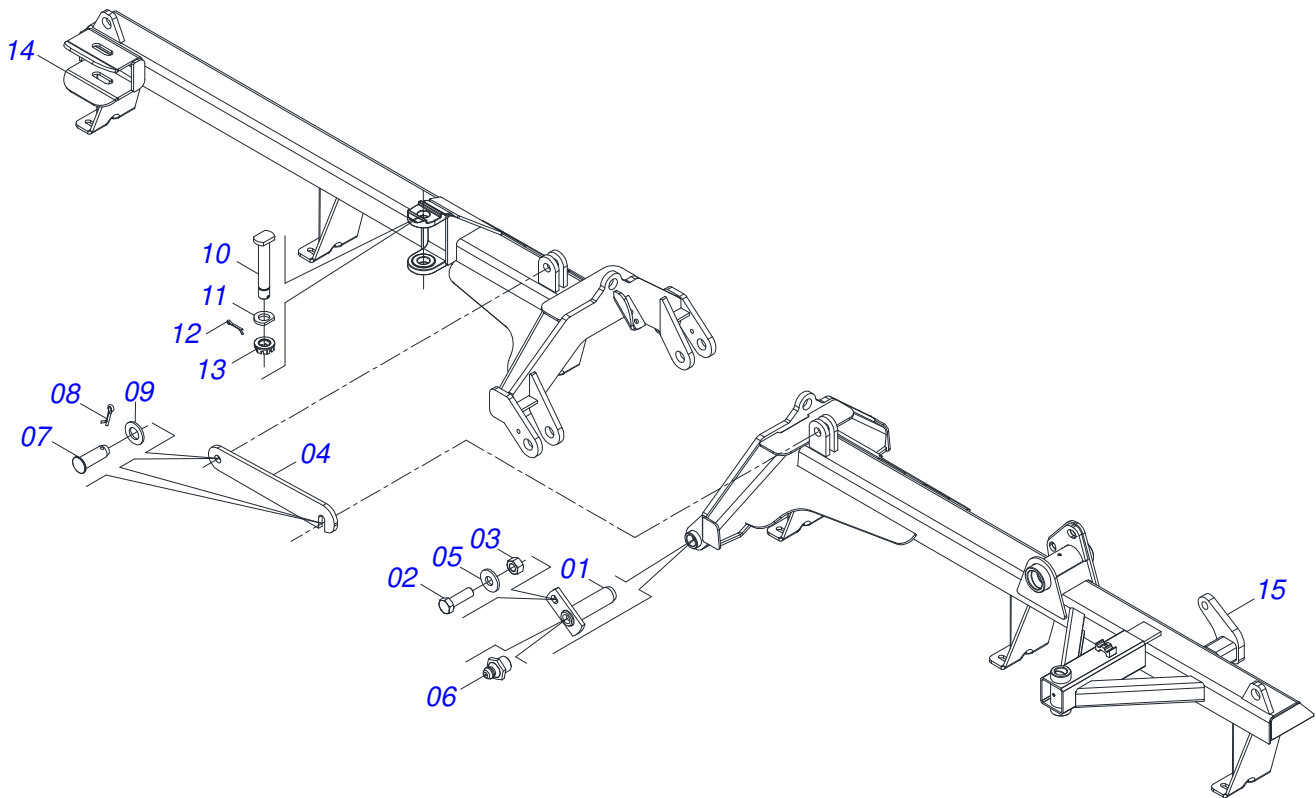


Item	Code	Description	See page	QT
001	0501063751	1.5" X 5.5" PIVOT SHAFT		02
002	0501010100	SCREW 5/8 UNC X 2 CS G.5 ZN		02
003	0503010013	5/8" NUT		02
004	0501018941	TRANSPORT LOCK		01
005	0501012140	FLAT WASHER		02
006	0503010002	1800 GREASE FITTING		02
007	0521010592	1.1" X 3.1" COUPLING SHAFT		02
008	0503010571	1/4" X 1.1/2" COTTERPIN		02
009	0511017480	FLAT WASHER		02
010	0531019497	1.5" X 9.2" ARTICULATED AXIS		02
011	0531019540	FLAT WASHER		02
012	0503010010	1/4" X 2.1/2" COTTERPIN		02
013	0501011301	1.1/2 UNC 6FPP 2.5/16 NUT		02
014	0521068918	RIGHT REAR FRAME 52D		01
015	0521068917	LEFT REAR FRAME 52D		01

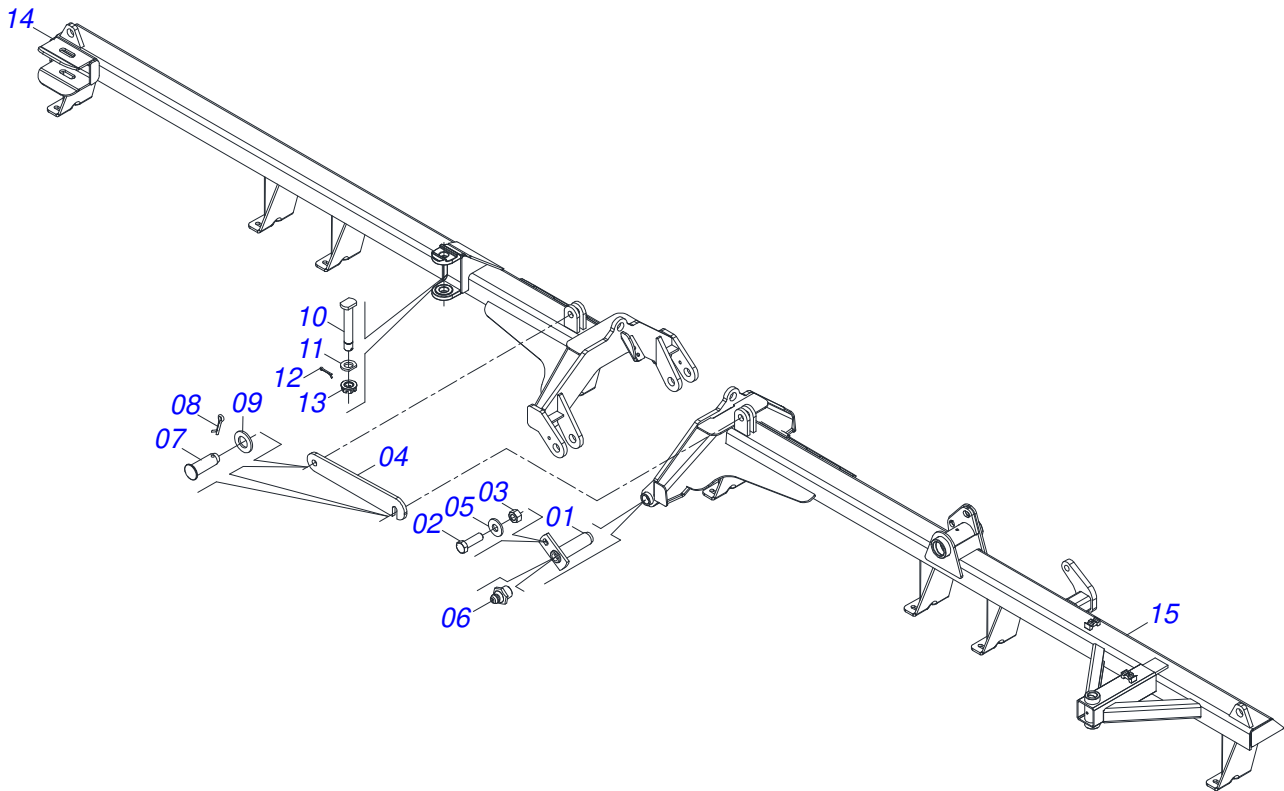


Item	Code	Description	See page	QT
001	0501063751	1.5" X 5.5" PIVOT SHAFT		02
002	0501010100	SCREW 5/8 UNC X 2 CS G.5 ZN		02
003	0503010013	5/8" NUT		02
004	0501018941	TRANSPORT LOCK		01
005	0501012140	FLAT WASHER		02
006	0503010002	1800 GREASE FITTING		02
007	0521010592	1.1" X 3.1" COUPLING SHAFT		02
008	0503010571	1/4" X 1.1/2" COTTERPIN		02
009	0511017480	FLAT WASHER		02
010	0531019497	1.5" X 9.2" ARTICULATED AXIS		02
011	0531019540	FLAT WASHER		02
012	0503010010	1/4" X 2.1/2" COTTERPIN		02
013	0501011301	1.1/2 UNC 6FPP 2.5/16 NUT		02
014	0521068900	RIGHT REAR FRAME 56D		01
015	0521068901	LEFT REAR FRAME 56D		01

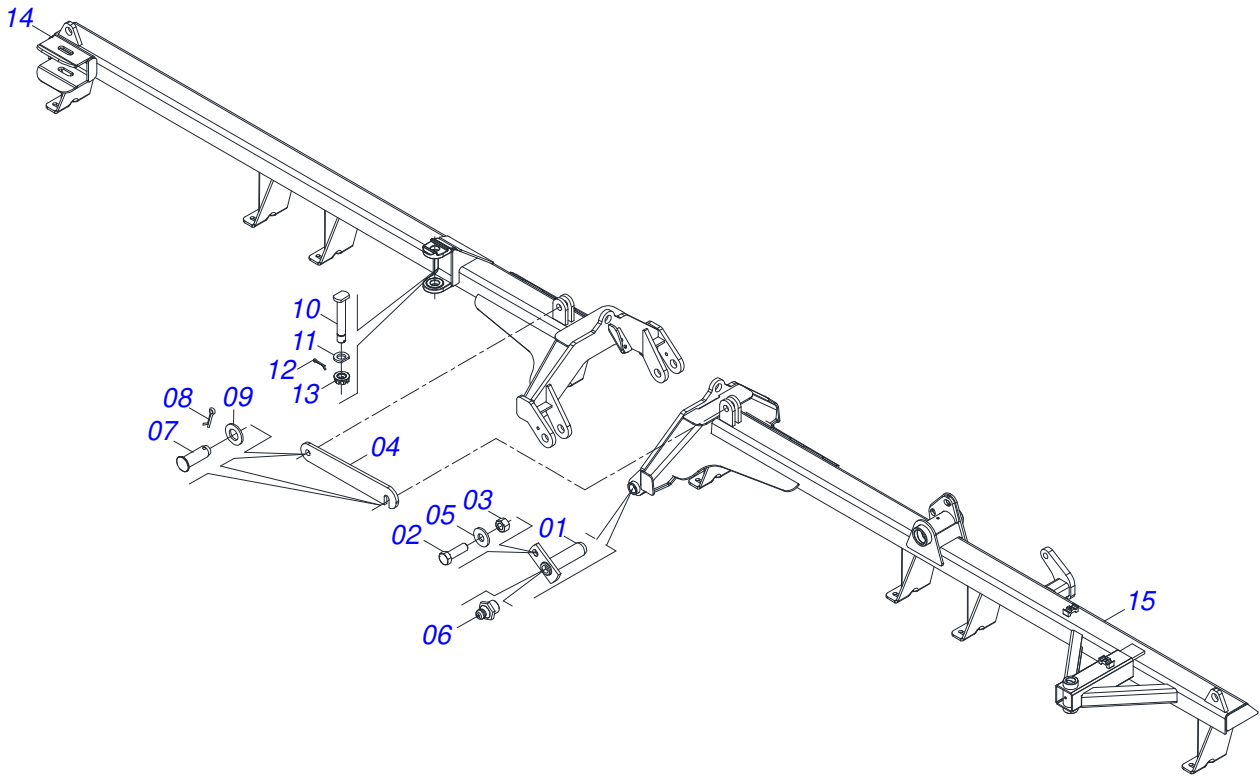




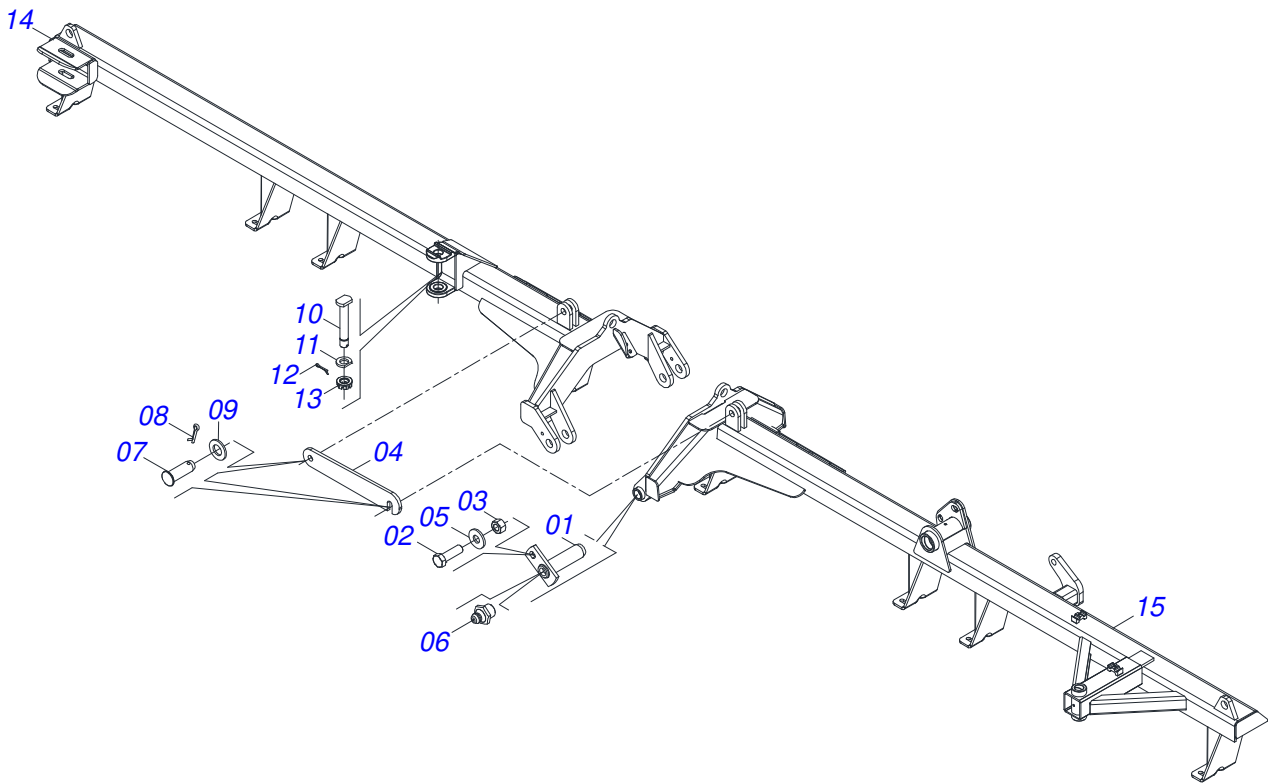
Item	Code	Description	See page	QT
001	0501063751	1.5" X 5.5" PIVOT SHAFT		02
002	0501010100	SCREW 5/8 UNC X 2 CS G.5 ZN		02
003	0503010013	5/8" NUT		02
004	0501018941	TRANSPORT LOCK		01
005	0501012140	FLAT WASHER		02
006	0503010002	1800 GREASE FITTING		02
007	0521010592	1.1" X 3.1" COUPLING SHAFT		02
008	0503010571	1/4" X 1.1/2" COTTERPIN		02
009	0511017480	FLAT WASHER		02
010	0531019497	1.5" X 9.2" ARTICULATED AXIS		02
011	0531019540	FLAT WASHER		02
012	0503010010	1/4" X 2.1/2" COTTERPIN		02
013	0501011301	1.1/2 UNC 6FPP 2.5/16 NUT		02
014	0521068811	RIGHT REAR FRAME 60D		01
015	0521068812	LEFT REAR FRAME 60D		01



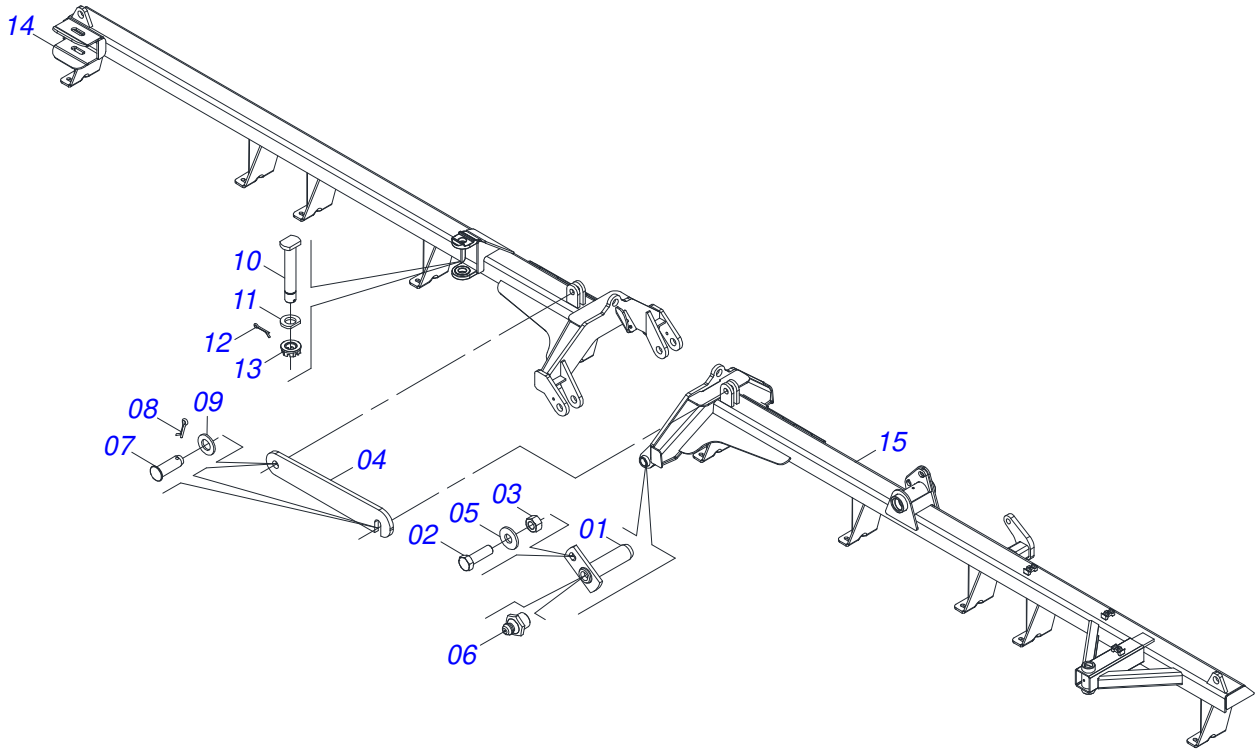
Item	Code	Description	See page	QT
001	0501063751	1.5" X 5.5" PIVOT SHAFT		02
002	0501010100	SCREW 5/8 UNC X 2 CS G.5 ZN		02
003	0503010013	5/8" NUT		02
004	0501018941	TRANSPORT LOCK		01
005	0501012140	FLAT WASHER		02
006	0503010002	1800 GREASE FITTING		02
007	0521010592	1.1" X 3.1" COUPLING SHAFT		02
008	0503010571	1/4" X 1.1/2" COTTERPIN		02
009	0511017480	FLAT WASHER		02
010	0531019497	1.5" X 9.2" ARTICULATED AXIS		02
011	0531019540	FLAT WASHER		02
012	0503010010	1/4" X 2.1/2" COTTERPIN		02
013	0501011301	1.1/2 UNC 6FPP 2.5/16 NUT		02
014	0521068784	RIGHT REAR FRAME 64D		01
015	0521068883	LEFT REAR FRAME 64D		01



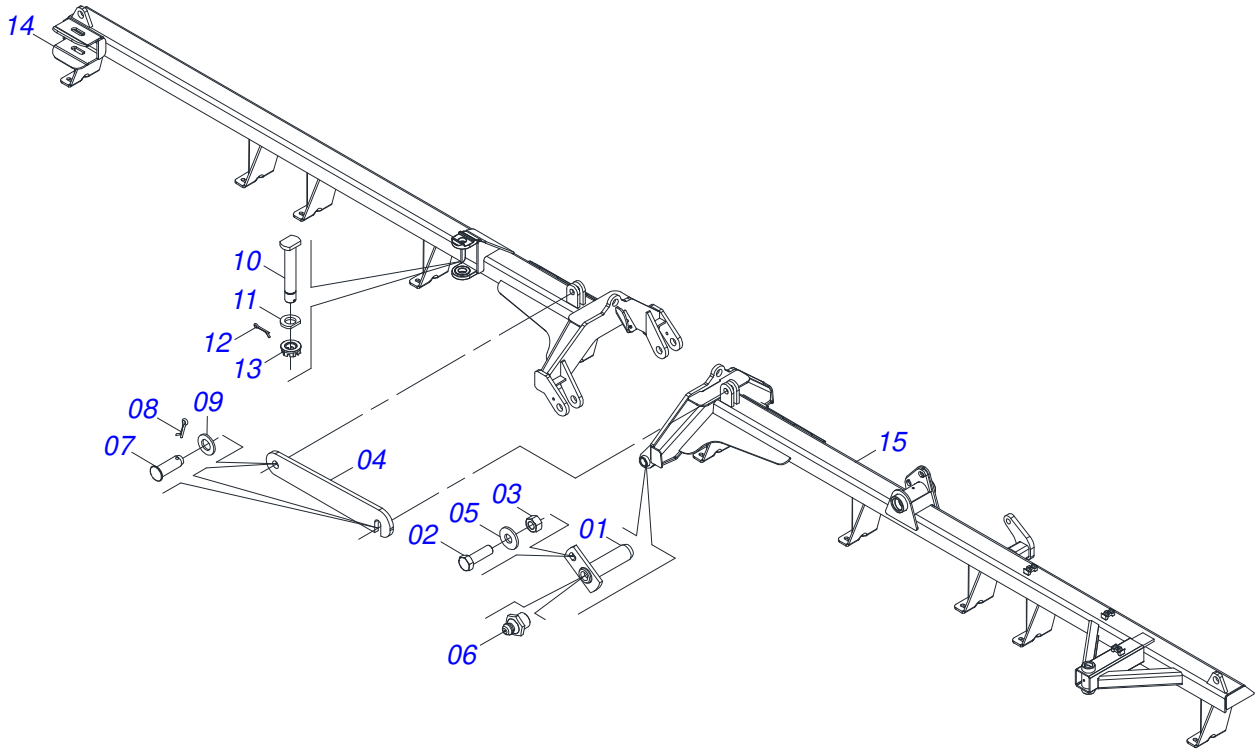
Item	Code	Description	See page	QT
001	0501063751	1.5" X 5.5" PIVOT SHAFT		02
002	0501010100	SCREW 5/8 UNC X 2 CS G.5 ZN		02
003	0503010013	5/8" NUT		02
004	0501018941	TRANSPORT LOCK		01
005	0501012140	FLAT WASHER		02
006	0503010002	1800 GREASE FITTING		02
007	0521010592	1.1" X 3.1" COUPLING SHAFT		02
008	0503010571	1/4" X 1.1/2" COTTERPIN		02
009	0511017480	FLAT WASHER		02
010	0531019497	1.5" X 9.2" ARTICULATED AXIS		02
011	0531019540	FLAT WASHER		02
012	0503010010	1/4" X 2.1/2" COTTERPIN		02
013	0501011301	1.1/2 UNC 6FPP 2.5/16 NUT		02
014	0521065469	RIGHT REAR FRAME - 68D		01
015	0521068781	LEFT REAR FRAME 68D		01



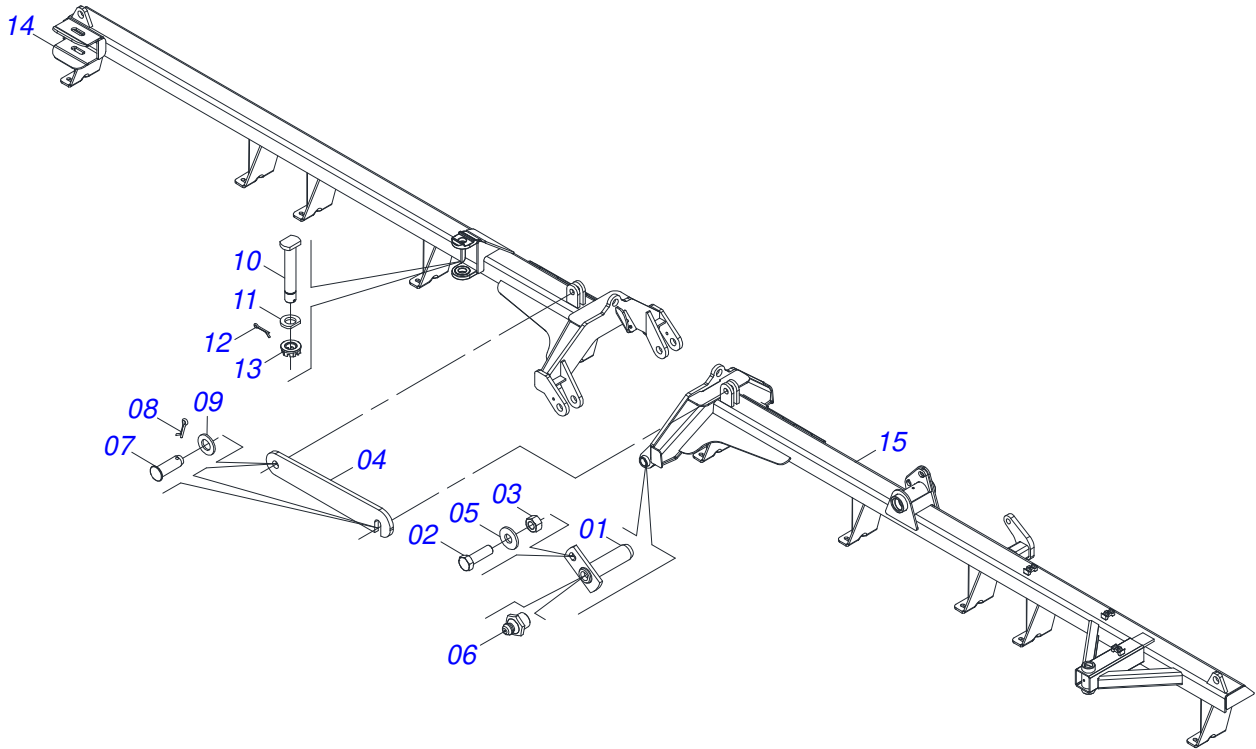
Item	Code	Description	See page	QT
001	0501063751	1.5" X 5.5" PIVOT SHAFT		02
002	0501010100	SCREW 5/8 UNC X 2 CS G.5 ZN		02
003	0503010013	5/8" NUT		02
004	0501018941	TRANSPORT LOCK		01
005	0501012140	FLAT WASHER		02
006	0503010002	1800 GREASE FITTING		02
007	0521010592	1.1" X 3.1" COUPLING SHAFT		02
008	0503010571	1/4" X 1.1/2" COTTERPIN		02
009	0511017480	FLAT WASHER		02
010	0531019497	1.5" X 9.2" ARTICULATED AXIS		02
011	0531019540	FLAT WASHER		02
012	0503010010	1/4" X 2.1/2" COTTERPIN		02
013	0501011301	1.1/2 UNC 6FPP 2.5/16 NUT		02
014	0521065471	RIGHT REAR FRAME - 72D		01
015	0521068775	LEFT REAR FRAME 72D		01



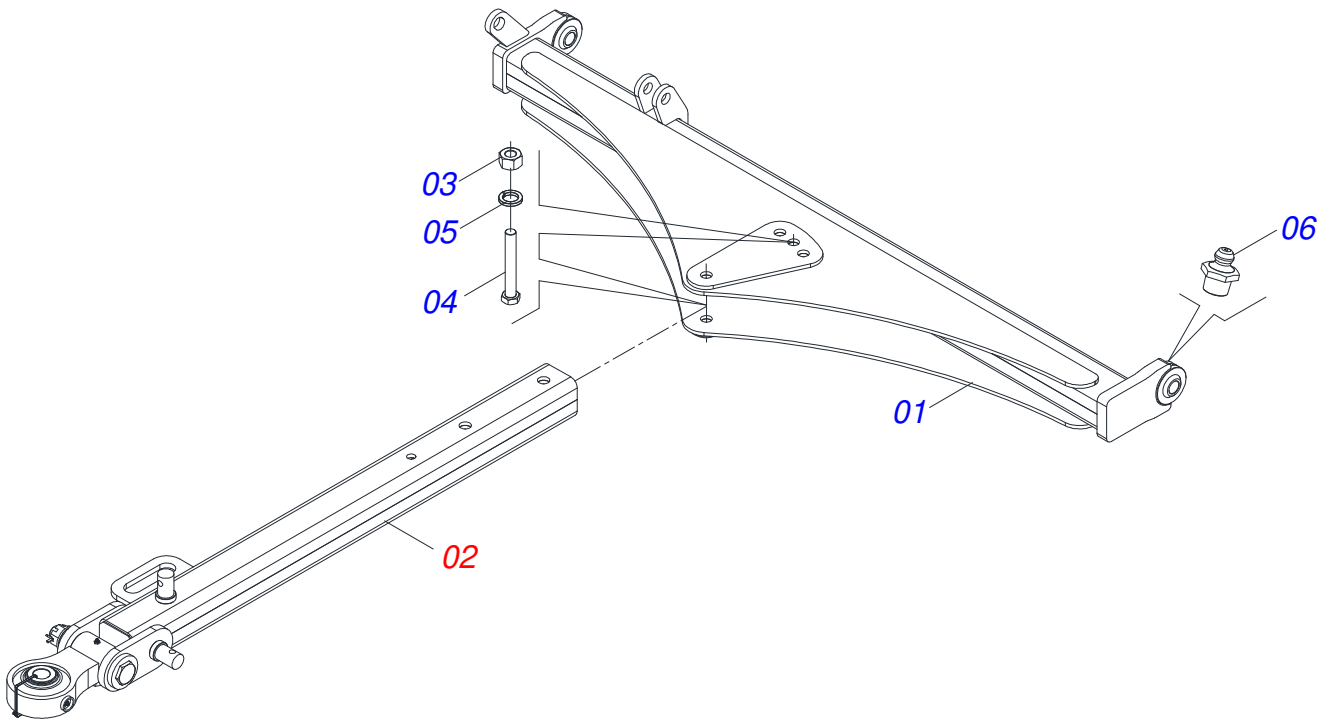
Item	Code	Description	See page	QT
001	0501063751	1.5" X 5.5" PIVOT SHAFT		02
002	0501010100	SCREW 5/8 UNC X 2 CS G.5 ZN		02
003	0503010013	5/8" NUT		02
004	0501018941	TRANSPORT LOCK		01
005	0501012140	FLAT WASHER		02
006	0503010002	1800 GREASE FITTING		02
007	0521010592	1.1" X 3.1" COUPLING SHAFT		02
008	0503010571	1/4" X 1.1/2" COTTERPIN		02
009	0511017480	FLAT WASHER		02
010	0531019497	1.5" X 9.2" ARTICULATED AXIS		02
011	0531019540	FLAT WASHER		02
012	0503010010	1/4" X 2.1/2" COTTERPIN		02
013	0501011301	1.1/2 UNC 6FPP 2.5/16 NUT		02
014	0521069214	RIGHT REAR FRAME 76D		01
015	0521069227	LEFT REAR FRAME 76D		01



Item	Code	Description	See page	QT
001	0501063751	1.5" X 5.5" PIVOT SHAFT		02
002	0501010100	SCREW 5/8 UNC X 2 CS G.5 ZN		02
003	0503010013	5/8" NUT		02
004	0501018941	TRANSPORT LOCK		01
005	0501012140	FLAT WASHER		02
006	0503010002	1800 GREASE FITTING		02
007	0521010592	1.1" X 3.1" COUPLING SHAFT		02
008	0503010571	1/4" X 1.1/2" COTTERPIN		02
009	0511017480	FLAT WASHER		02
010	0531019497	1.5" X 9.2" ARTICULATED AXIS		02
011	0531019540	FLAT WASHER		02
012	0503010010	1/4" X 2.1/2" COTTERPIN		02
013	0501011301	1.1/2 UNC 6FPP 2.5/16 NUT		02
014	0521069216	RIGHT REAR FRAME 80D		01
015	0521069217	LEFT REAR FRAME 80D		01

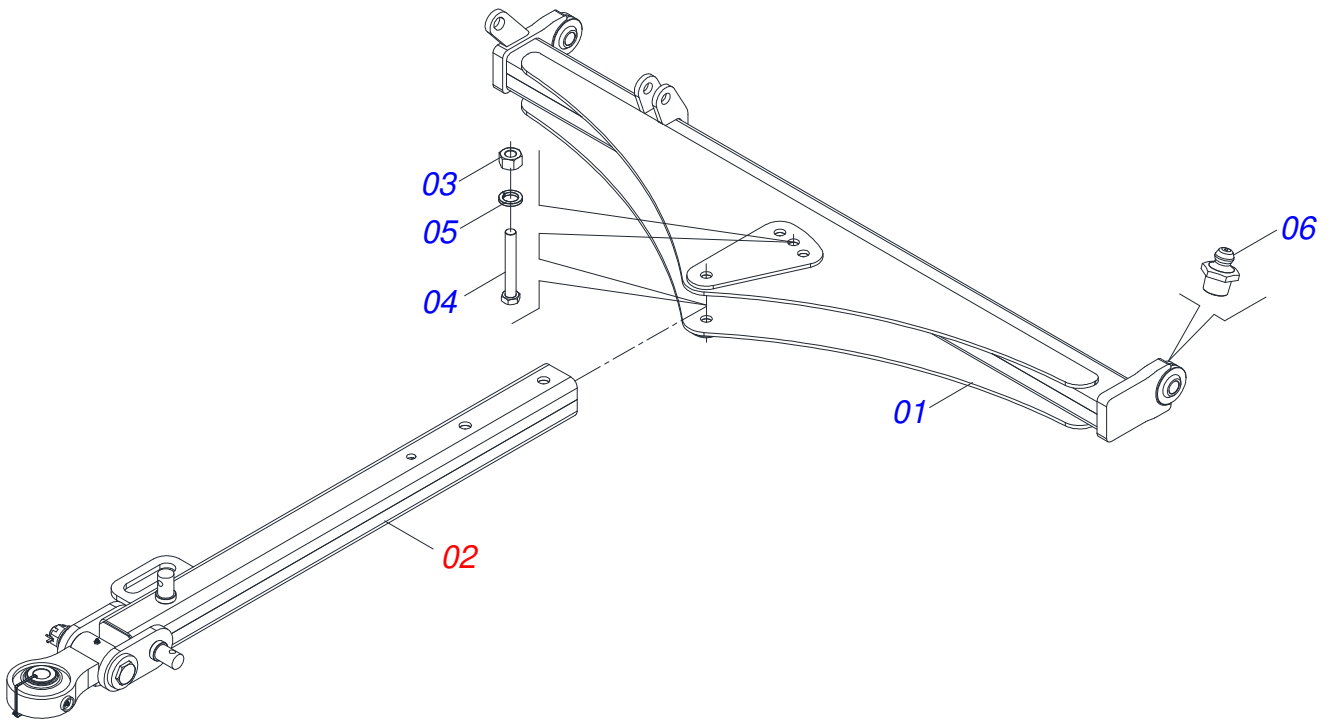


Item	Code	Description	See page	QT
001	0501063751	1.5" X 5.5" PIVOT SHAFT		02
002	0501010100	SCREW 5/8 UNC X 2 CS G.5 ZN		02
003	0503010013	5/8" NUT		02
004	0501018941	TRANSPORT LOCK		01
005	0501012140	FLAT WASHER		02
006	0503010002	1800 GREASE FITTING		02
007	0521010592	1.1" X 3.1" COUPLING SHAFT		02
008	0503010571	1/4" X 1.1/2" COTTERPIN		02
009	0511017480	FLAT WASHER		02
010	0531019497	1.5" X 9.2" ARTICULATED AXIS		02
011	0531019540	FLAT WASHER		02
012	0503010010	1/4" X 2.1/2" COTTERPIN		02
013	0501011301	1.1/2 UNC 6FPP 2.5/16 NUT		02
014	0521069187	RIGHT REAR FRAME 84D		01
015	0521069185	LEFT REAR FRAME 84D		01



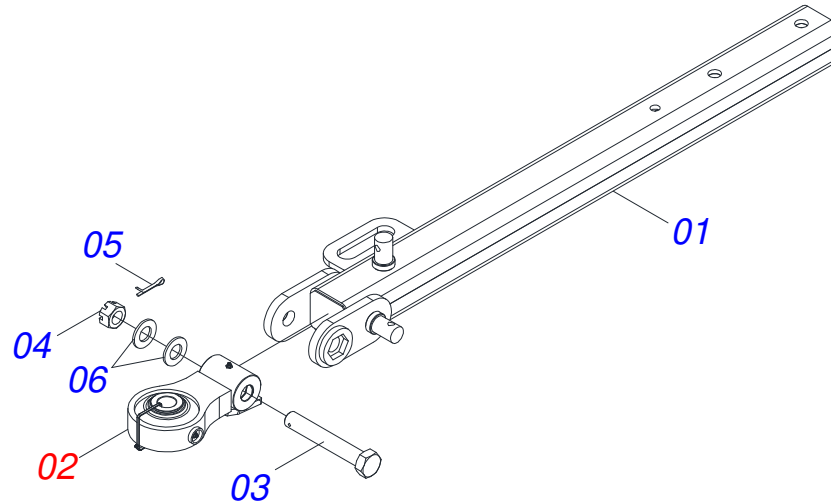
Item	Code	Description	See page	QT
01	0521068827	OFFSET BAR		01
02	0501044359	DRAWBAR ASSY	27	01
03	0501010059	1.5/8 NUT		02
04	0501010334	1" X 7" BOLT		02
05	0503011438	SPRING WASHER		02
06	0503010002	1800 GREASE FITTING		02



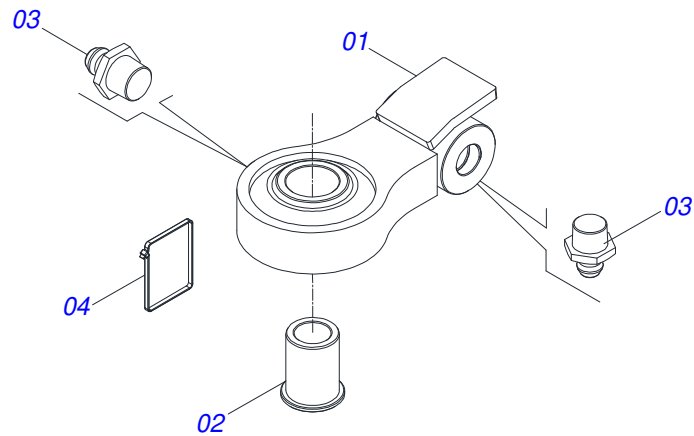


Item	Code	Description	See page	QT
01	0521065405	OFFSET BAR		01
02	0521048502	ASSY TRACTION BAR		01
03	0501010059	1.5/8 NUT		02
04	0501010334	1" X 7" BOLT		02
05	0503010012	1" SPRING WASHER		02
06	0503010002	1800 GREASE FITTING		02

**DRAWBAR ASSY**

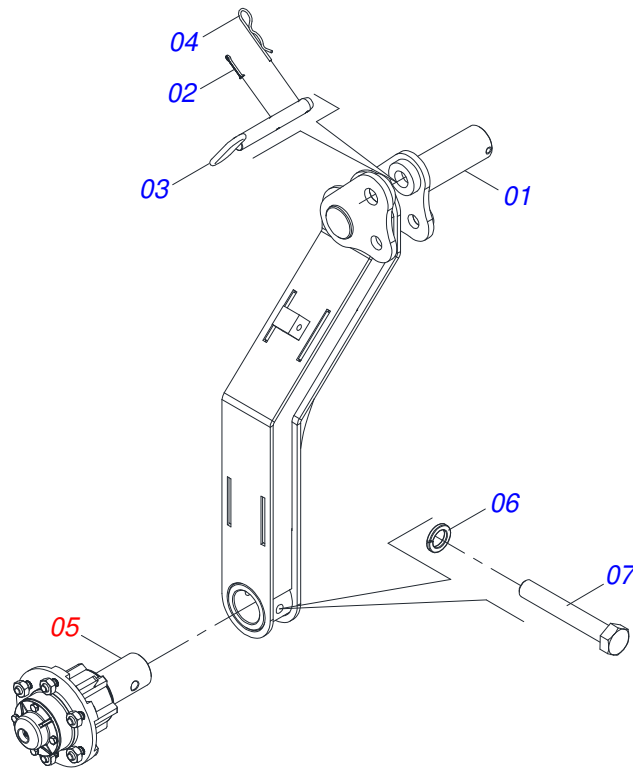


Item	Code	Description	See page	QT
01	0501066715	DRAWBAR ASSY		01
02	0521053943	HITCH WITH ASSY ROTULA SUPPORT	28	01
03	0501017291	1-1/2" X 8.1" BOLT		01
04	0501011301	1.1/2 UNC 6FPP 2.5/16 NUT		01
05	0503010010	1/4" X 2.1/2" COTTERPIN		01
06	0501017779	32 X 60 X 4.75 FLAT WASHER		02

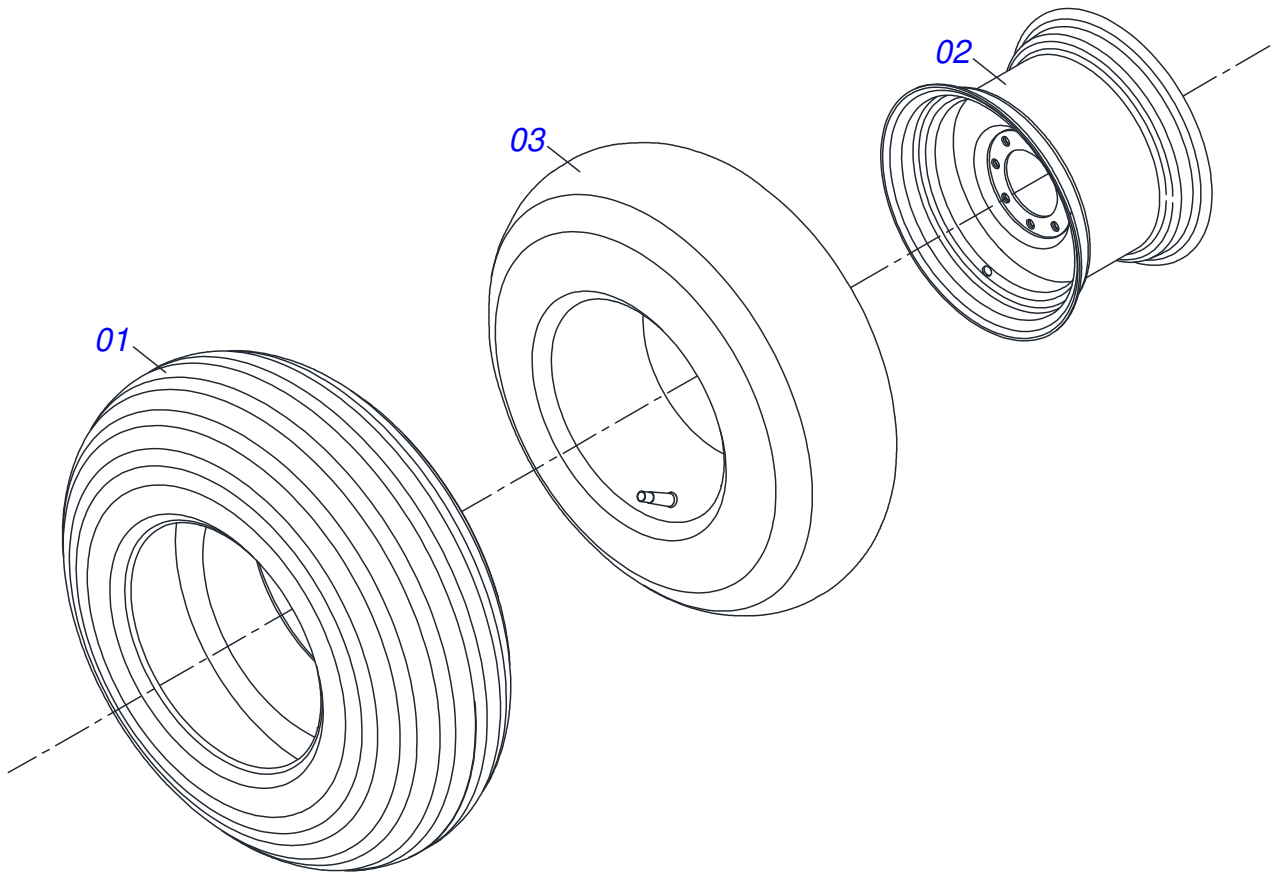


Item	Code	Description	See page	QT
01	0521069166	HITCH		01
02	0581018413	SLEEVE		01
03	0503010002	1800 GREASE FITTING		02
04	0503016033	4.8 X 1.3 X 300 MM NYLON CLAMP		01

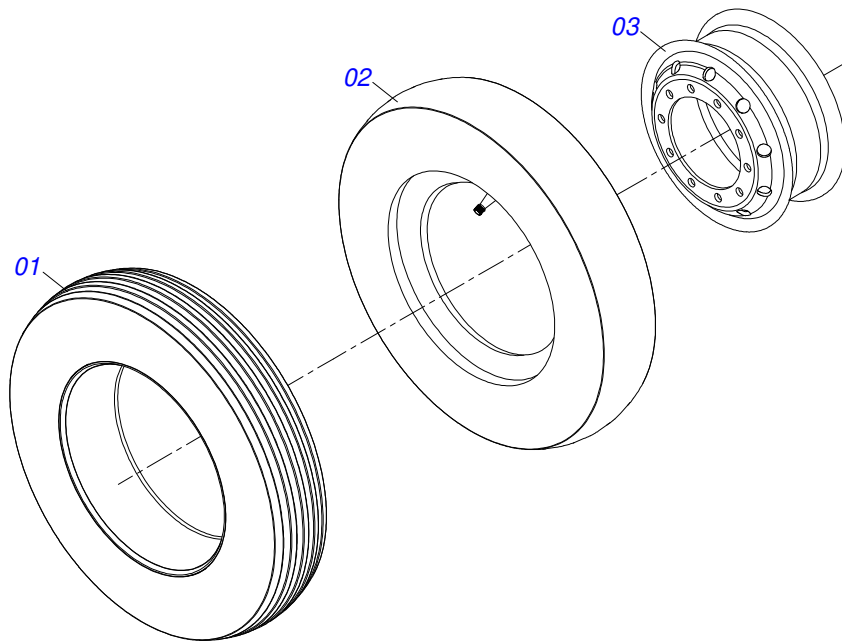
**WHEELS ASSY**



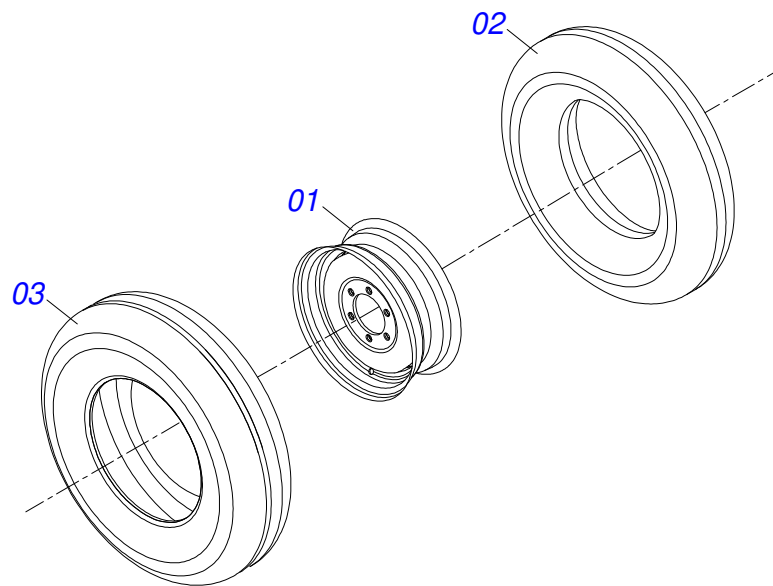
Item	Code	Description	See page	QT
01	0521068372	WHEELED ARM		01
02	0503010131	3/16" X 1-1/2" COTTERPIN		01
03	0521068769	COUPLING SHAFT		01
04	0503030012	HAIR PIN		01
05	0521052217	ASSY WHEEL CUBE	33	01
06	0503010027	5/8" SPRING WASHER		01
07	0503017857	BOLT 5/8 UNF 4		01



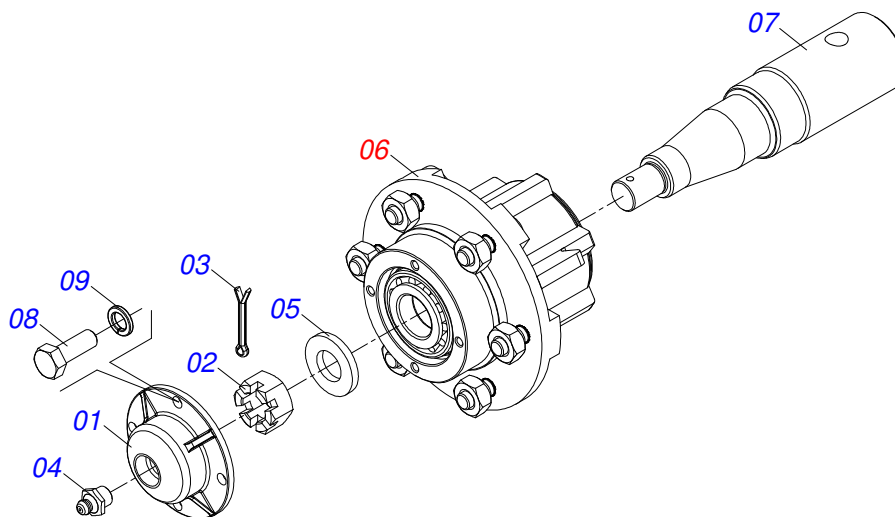
Item	Code	Description	See page	QT
01	0503010858	CANVAS TIRE		01
02	0503011468	WEEL		01
03	0503010860	AIR CHAMBER 11L 15		01



Item	Code	Description	See page	QT
01	0503010065	CANVAS TIRE		01
02	0503010068	6.00 X 16 INNER TIRE		01
03	0503010894	0.2"X0.6"X4.6"X6F0.6"X6" WHEEL		01

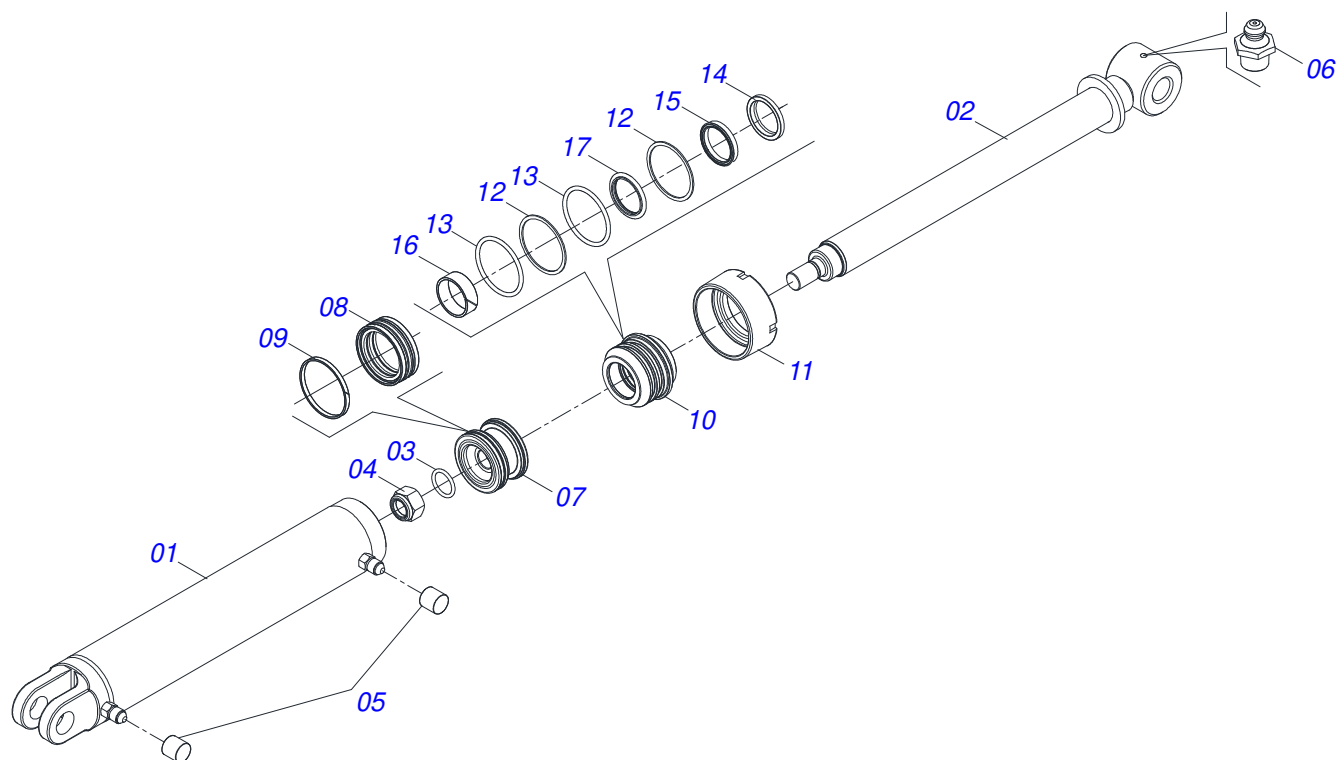


Item	Code	Description	See page	QT
01	0503010893	WHEEL		01
02	0503010033	7.50 X 16 INNER TIRE		01
03	0503010120	CANVAS TIRE		01

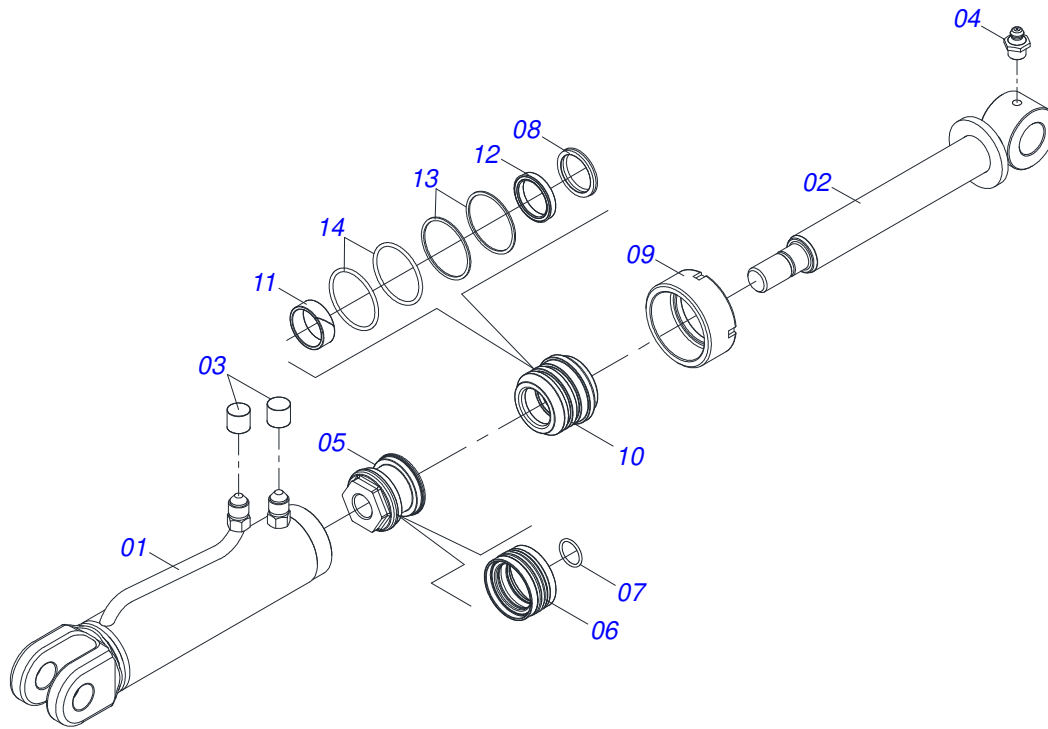


Item	Code	Description	See page	QT
01	0502020591	PROTECCION COVER		01
02	0503030009	1" CASTLE NUT		01
03	0503010018	5/32 X 1-1/2 COTTERPIN		01
04	0503010002	1800 GREASE FITTING		01
05	0501016545	FLAT WASHER		01
06	0501051142	CARRYING WHEEL HUB		01
07	0581016297	63,50 X 270 AXIS		01
08	0503010178	5/16" X 7/8" BOLT		04
09	0503010179	5/16" ZN SPRING WASHER		04

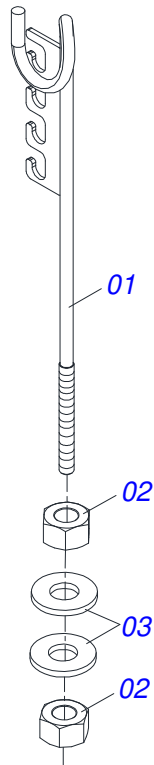




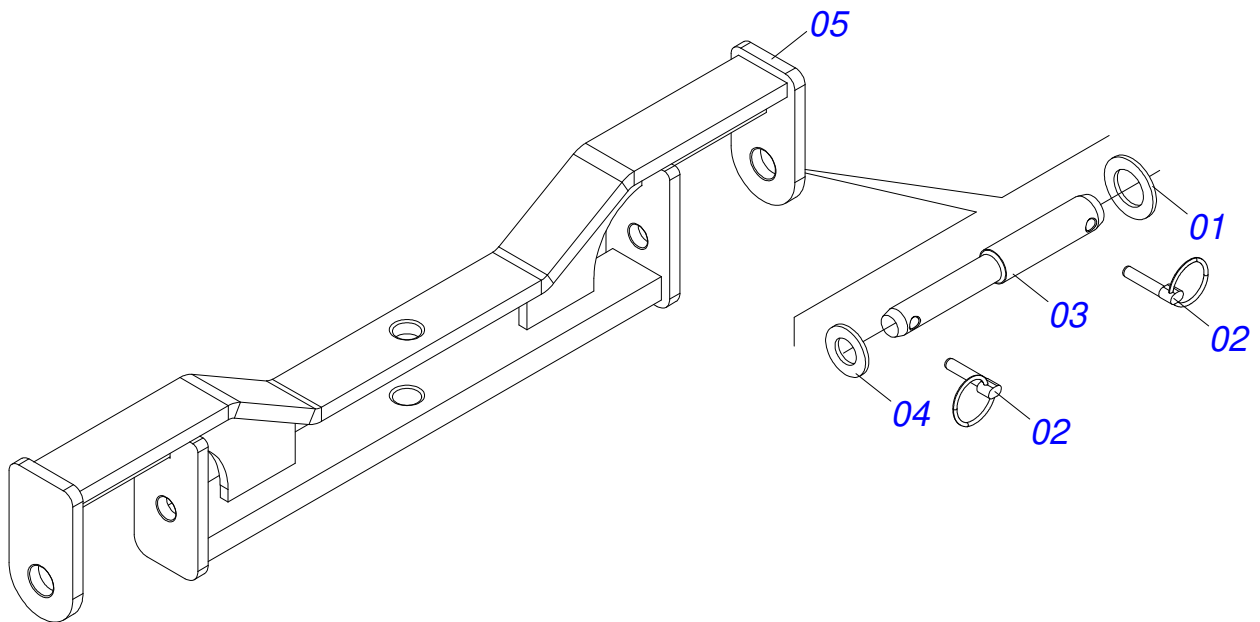
Item	Code	Description	See page	QT
01	0521063982	CYLINDER CASE		01
02	0521067533	50,80 X 697 EXTENSOR		01
03	0503010042	2-214 N 3006-9B O'RING		01
04	0503010063	1" SELF-ALIGNING NUT		01
05	0503030385	CYLINDER PLUG N-002		02
06	0503010002	1800 GREASE FITTING		01
07	0571019710	1.7" X 3.4" PISTON		01
08	0503017935	RING		01
09	0503018144	RING		01
10	0581013228	50,80 X 85,72 SUPPORT RINGS		01
11	0581013227	85,72 MOVE COVER		01
12	0503017940	8-337 BACK-UP RING		02
13	0503017939	2-337 N 3006-9B O' RING		02
14	0503010039	D-2000 SCRAPER RING		01
15	0503018026	1870-2000-375 B GASKET		01
16	0503018025	RING GUIDE		01
17	0503018024	RING BS		01



Item	Code	Description	See page	QT
01	0501068493	2.5" X 10.7" CYLINDER CASE		01
02	0521066630	38,10 X 313 STEM		01
03	0503030385	CYLINDER PLUG N-002		02
04	0503010002	1800 GREASE FITTING		01
05	0502012837	PISTON		01
06	0503018005	RING		01
07	0503011109	2-119 N 3006-9B O'RING		01
08	0503010163	D-1500 SCRAPER RING		01
09	0502010471	MOBILE COVER		01
10	0581010668	RING SUPPORT		01
11	0503018004	RING		01
12	0503018003	GASKET		01
13	0503018163	BACK-UP RING		02
14	0503018162	O'RING		02
15	0511032280	ASSY REPAIR KIT 38,10 X 63,50 (0511058413)		01



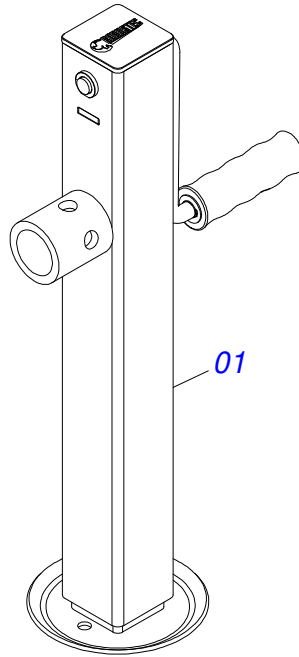
Item	Code	Description	See page	QT
01	0511067334	HOSE SOPPORT ASSY		01
02	0503010014	3/4" NUT		02
03	0501010322	FLAT WASHER		02



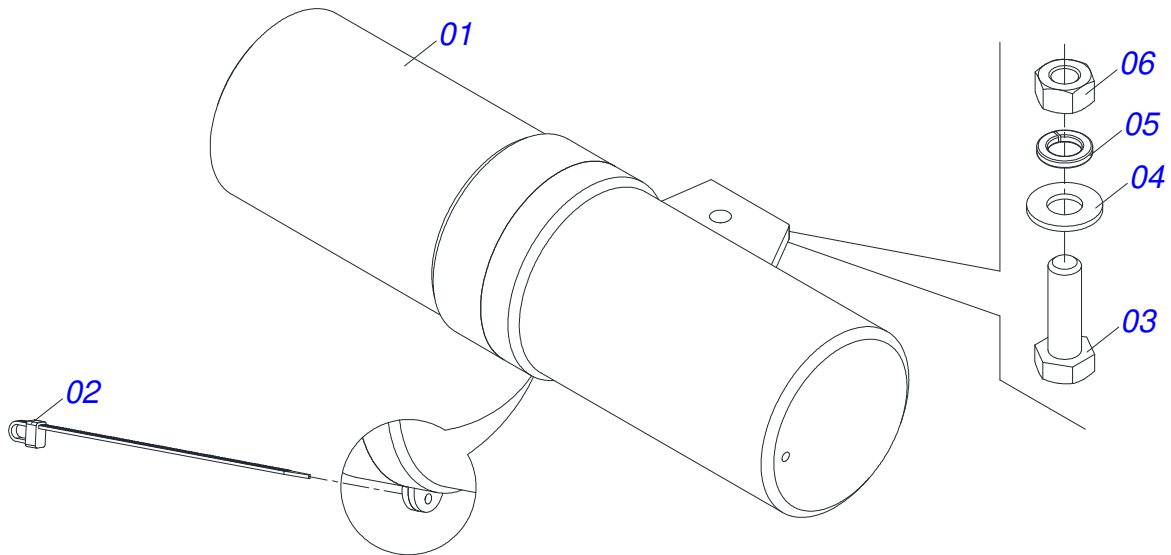
Item	Code	Description	See page	QT
01	0501012916	FLAT WASHER 38,50 X 66 X 4,75 ZN		02
02	0503030430	7/16 X 2" PIN LOCK		04
03	0541015542	1.1/8" HITCH AXLE		02
04	0511017480	FLAT WASHER		02
05	0531061885	TRANSPORT BAR		01

**HEADER JACK**

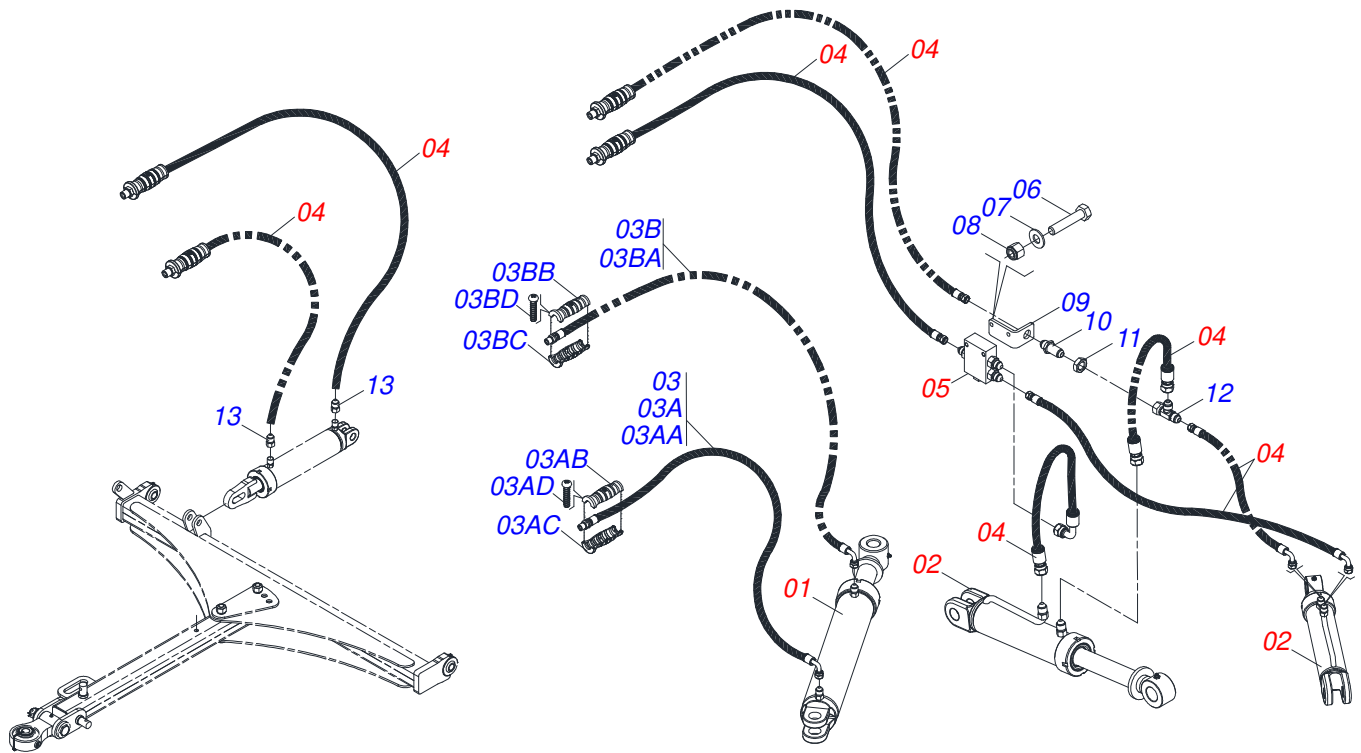
0503062157



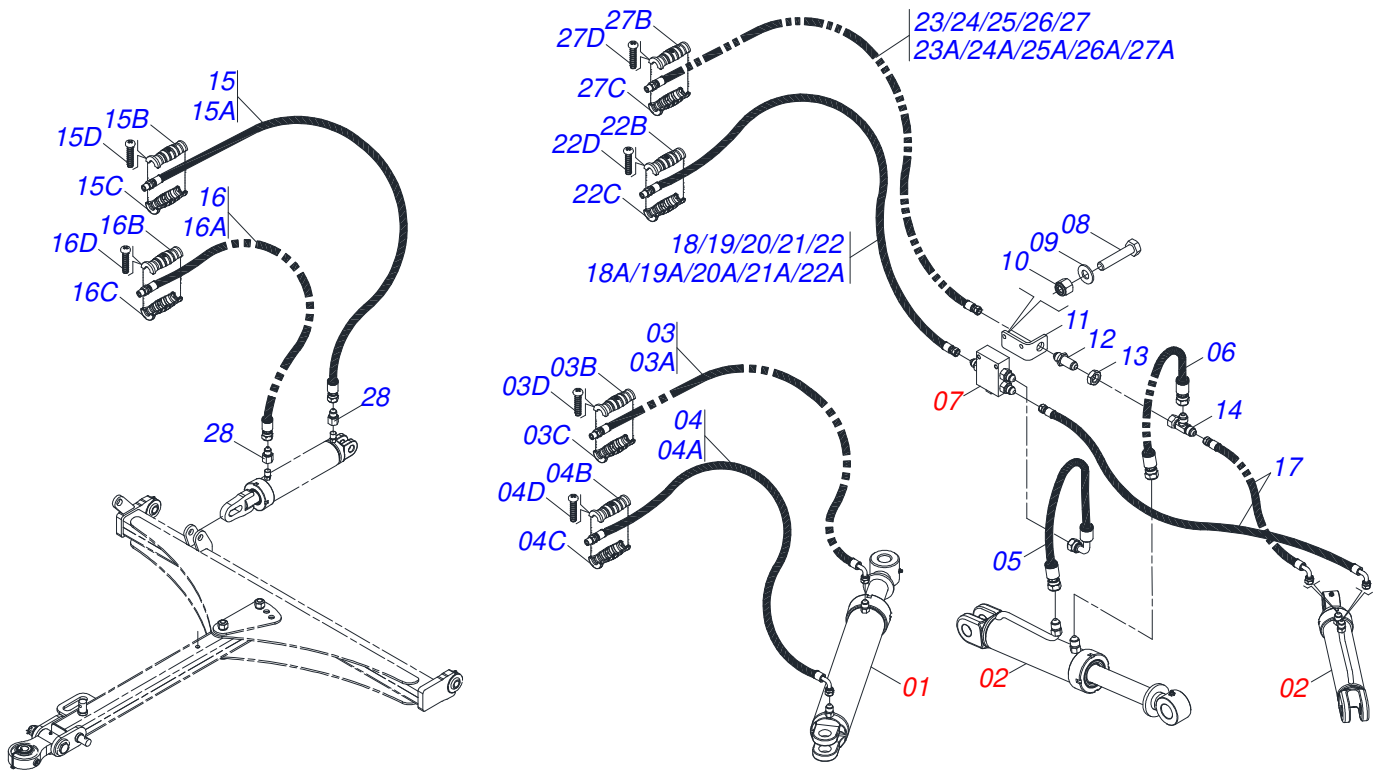
Item	Code	Description	See page	QT
01	0503062157	HEADER JACK	38	01



Item	Code	Description	See page	QT
01	0503060100	OPERATOR'S MANUAL STORAGE TUBE		01
02	0503010267	NYLON CLAMP		01
03	0503010363	5/16" X 1" BOLT		01
04	0501010694	8.5 X 18 X 1.5 FLAT WASHER		01
05	0503010179	5/16" ZN SPRING WASHER		01
06	0503010337	5/16" NUT		01



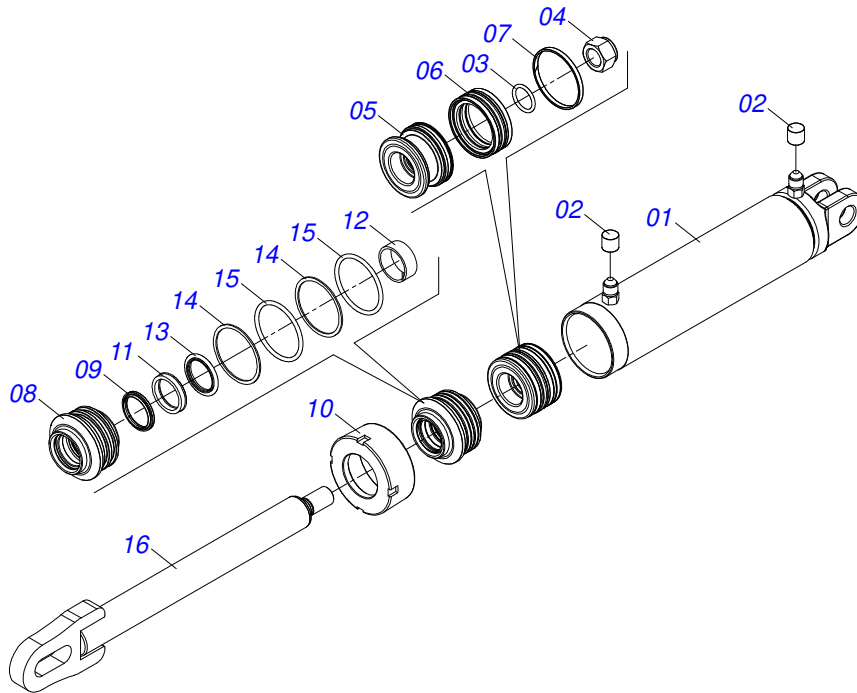
Item	Code	Description	See page	48	52	56	60	64
01	0511058461	HYDRAULIC CYLINDER	34	01	01	01	01	01
02	0521056810	HYDRAULIC CYLINDER 44,45X76,20X405X170		02	02	02	02	02
03	0521053412	HOSE KIT		01	01	01	01	01
03A	0521053413	HOSE 3/8 X 4500 TC-TM PURPLE/RED		01	01	01	01	01
03AA	0501080362	3/8" X 177" TC-TM HOSE		01	01	01	01	01
03AB	0503034491	HYDRAULIC HOSE GRIP (PURPLE)		01	01	01	01	01
03AC	0503034495	HYDRAULIC HOSE GRIP (RED)		01	01	01	01	01
03AD	0503018952	PLASTIC BOLT		06	06	06	06	06
03B	0521053414	HOSE 3/8 X 4500 TC-TM PURPLE/BLUE		01	01	01	01	01
03BA	0501080362	3/8" X 177" TC-TM HOSE		01	01	01	01	01
03BB	0503034491	HYDRAULIC HOSE GRIP (PURPLE)		01	01	01	01	01
03BC	0503034494	HYDRAULIC HOSE GRIP (BLUE)		01	01	01	01	01
03BD	0503018952	PLASTIC BOLT		06	06	06	06	06
04	0521054451	HOSE SET HYDRAULIC LIFTING SET 48		01	00	00	00	00
04.	0521054455	HOSE SET HYDRAULIC LIFTING SET 52		00	01	00	00	00
04..	0521054453	HOSE SET HYDRAULIC LIFTING SET 56		00	00	01	00	00
04...	0521054450	JOGO HOSE HYDRAULIC LIFT SET 60		00	00	00	01	00
04....	0521054452	HOSE KIT ASSY LIFT HYDRAULIC 64D		00	00	00	00	01
05	0521050797	FLOW DIVIDER VALVE		01	01	01	01	01
06	0503011766	5/16" X 2-1/2" BOLT		01	01	01	01	01
07	0501010694	8.5 X 18 X 1.5 FLAT WASHER		01	01	01	01	01
08	0503013759	NUT		01	01	01	01	01
09	0581016273	SUPPORT		01	01	01	01	01
10	0541012165	3/4" NIPPLE		01	01	01	01	01
11	0571018575	NUT - R.3/4" UNF 16FPP X 10		01	01	01	01	01
12	0503011968	3/4" 8R6X-S T ADAPTER WITH SWIVEL NUT		01	01	01	01	01
13	0511018012	HIDRAULIC ADAPTER		02	02	02	02	02



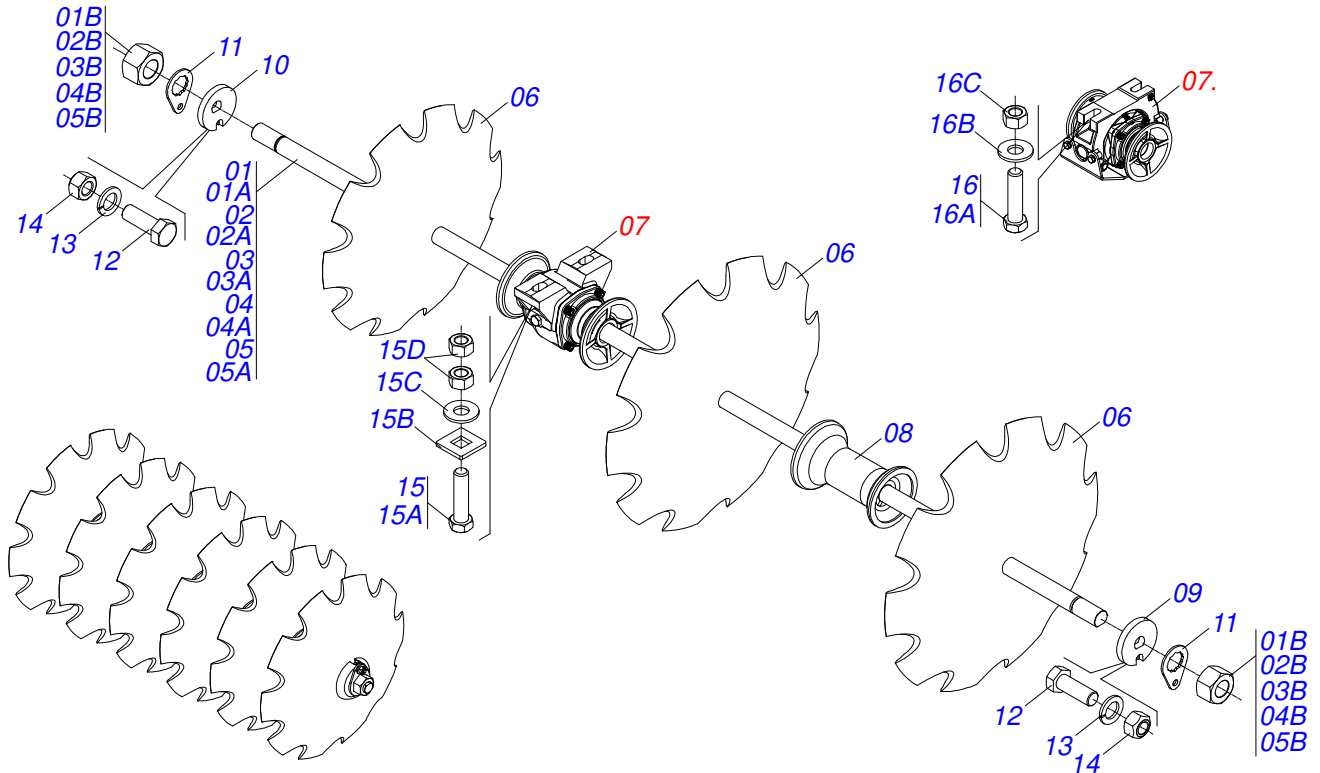
Item	Code	Description	See page	68	72	76	80	84
01	0511058461	HYDRAULIC CYLINDER	34	01	01	01	01	01
02	0511058421	38,10X63,50X405X170 HYDRAULIC CYLINDER	35	02	02	02	02	02
03	0521053414	HOSE 3/8 X 4500 TC-TM PURPLE/BLUE		01	01	01	01	01
03A	0501080362	3/8" X 177" TC-TM HOSE		01	01	01	01	01
03B	0503034491	HYDRAULIC HOSE GRIP (PURPLE)		01	01	01	01	01
03C	0503034494	HYDRAULIC HOSE GRIP (BLUE)		01	01	01	01	01
03D	0503018952	PLASTIC BOLT		06	06	06	06	06
04	0521053413	HOSE 3/8 X 4500 TC-TM PURPLE/RED		01	01	01	01	01
04A	0501080362	3/8" X 177" TC-TM HOSE		01	01	01	01	01
04B	0503034491	HYDRAULIC HOSE GRIP (PURPLE)		01	01	01	01	01
04C	0503034495	HYDRAULIC HOSE GRIP (RED)		01	01	01	01	01
04D	0503018952	PLASTIC BOLT		06	06	06	06	06
05	0501080406	3/8" X 23" TR-TC HOSE		01	01	01	01	01
06	0501080460	3/8" X 23" TR-TR HOSE		01	01	01	01	01
07	0521050797	FLOW DIVIDER VALVE		01	01	01	01	01
08	0503011766	5/16" X 2-1/2" BOLT		01	01	01	01	01
09	0501010694	8.5 X 18 X 1.5 FLAT WASHER		01	01	01	01	01
10	0503013759	NUT		01	01	01	01	01
11	0581016273	SUPPORT		01	01	01	01	01
12	0541012165	3/4" NIPPLE		01	01	01	01	01
13	0571018575	NUT - R.3/4" UNF 16FPP X 10		01	01	01	01	01
14	0503011968	3/4" 8R6X-S T ADAPTER WITH SWIVEL NUT		01	01	01	01	01
15	0531050513	HOSE 3/8 X 4500 TR-TM VERD / VERM		01	01	01	01	01
15A	0501080363	3/8" X 177" TR-TM HOSE ASSY		01	01	01	01	01
15B	0503034495	HYDRAULIC HOSE GRIP (RED)		01	01	01	01	01
15C	0503034497	HYDRAULIC HOSE GRIP (GREEN)		01	01	01	01	01
15D	0503018952	PLASTIC BOLT		03	03	03	03	03
16	0531050512	3/8 X 4500 TR-TM HOSE GREEN / BLUE		01	01	01	01	01
16A	0501080363	3/8" X 177" TR-TM HOSE ASSY		01	01	01	01	01
16B	0503034494	HYDRAULIC HOSE GRIP (BLUE)		01	01	01	01	01
16C	0503034497	HYDRAULIC HOSE GRIP (GREEN)		01	01	01	01	01



Item	Code	Description	See page	68	72	76	80	84
16D	0503018952	PLASTIC BOLT		03	03	03	03	03
17	0501080605	3/8" X 160" TR-TC HOSE ASSY		02	00	00	00	00
17.	0501081724	HOSE		00	02	00	00	00
17..	0501082214	3/8" X 188" TR-TC HOSE		00	00	02	00	00
17...	0501082213	3/8" X 204" TR-TC HOSE		00	00	00	02	00
17....	0501082210	3/8" X 220" TR-TC HOSE		00	00	00	00	02
18	0521053115	3/8" X 287" TR-TM HOSE		01	00	00	00	00
18A	0501082191	3/8 X 7300 TR-TM HOSE		01	00	00	00	00
19	0521053108	3/8 X 7500 TR-TM HOSE BLACK / RED		00	01	00	00	00
19A	0501080349	3/8" X 7500 TR-TM HOSE		00	01	00	00	00
20	0521054047	3/8" X 303" TR-TM HOSE		00	00	01	00	00
20A	0501082211	3/8 X 7700 TR-TM HOSE		00	00	01	00	00
21	0521054035	3/8 X 7900 TR-TM HOSE BLACK / RED		00	00	00	01	00
21A	0501082212	HOSE 3/8 X 7900 TR-TM		00	00	00	01	00
22	0521054007	3/8" X 318" TR-TM HOSE		00	00	00	00	01
22A	0501082209	3/8 X 8100 TR-TM HOSE		00	00	00	00	01
22B	0503034495	HYDRAULIC HOSE GRIP (RED)		00	00	00	00	01
22C	0503034492	HYDRAULIC HOSE GRIP (BLACK)		00	00	00	00	01
22D	0503018952	PLASTIC BOLT		03	03	03	03	03
23	0521053116	3/8" X 287" TR-TM HOSE		01	00	00	00	00
23A	0501082191	3/8 X 7300 TR-TM HOSE		01	00	00	00	00
24	0521053107	3/8 X 7500 TR-TM HOSE BLACK / BLUE		00	01	00	00	00
24A	0501080349	3/8" X 7500 TR-TM HOSE		00	01	00	00	00
25	0521054046	3/8" X 303" TR-TM HOSE		00	00	01	00	00
25A	0501082211	3/8 X 7700 TR-TM HOSE		00	00	01	00	00
26	0521054048	3/8" X 311" TR-TM HOSE		00	00	00	01	00
26A	0501082212	HOSE 3/8 X 7900 TR-TM		00	00	00	01	00
27	0521054006	3/8" X 318" TR-TM HOSE		00	00	00	00	01
27A	0501082209	3/8 X 8100 TR-TM HOSE		00	00	00	00	01
27B	0503034492	HYDRAULIC HOSE GRIP (BLACK)		01	01	01	01	01
27C	0503034494	HYDRAULIC HOSE GRIP (BLUE)		01	01	01	01	01
27D	0503018952	PLASTIC BOLT		03	03	03	03	03
28	0511018012	HIDRAULIC ADAPTER		02	02	02	02	02

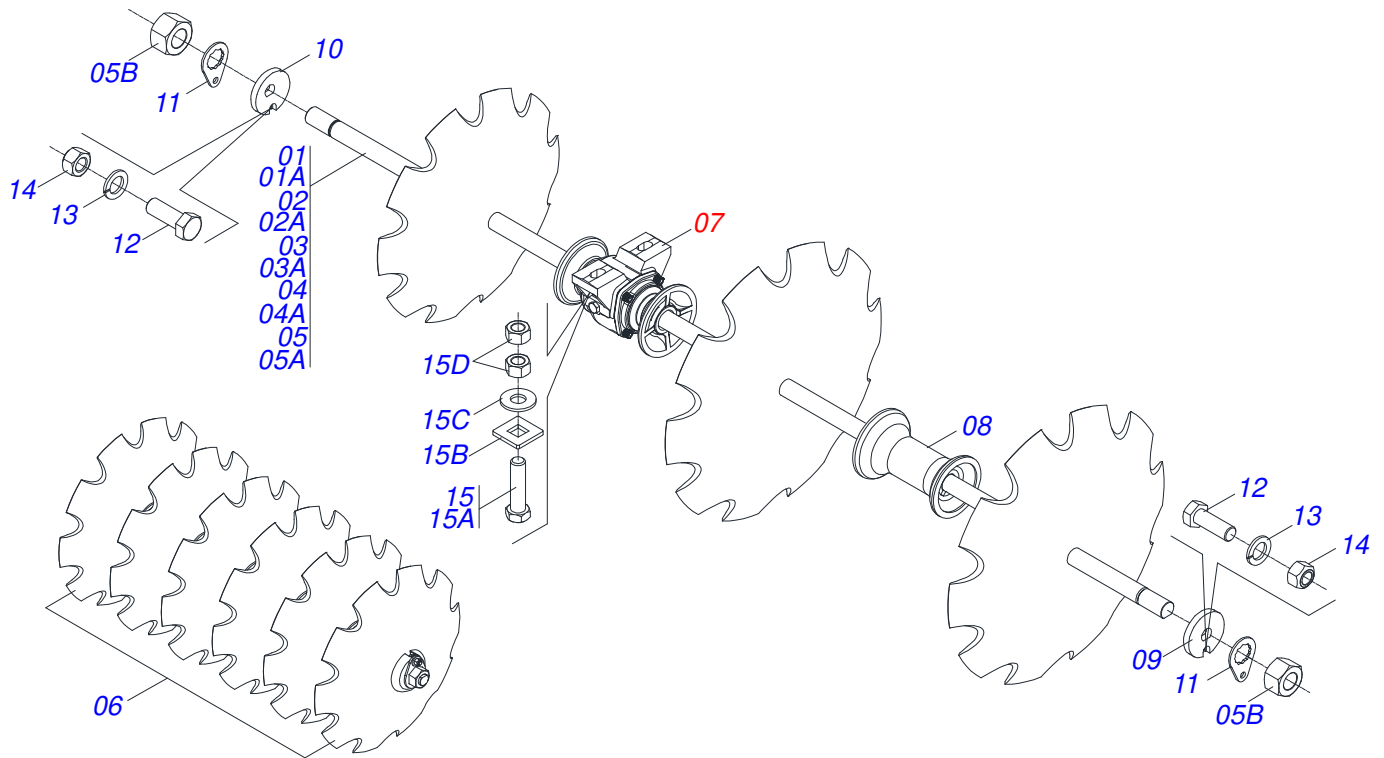


Item	Code	Description	See page	QT
01	0531061884	CASE 85.70 X 265		01
02	0503030385	CYLINDER PLUG N-002		02
03	0503010042	2-214 N 3006-9B O'RING		01
04	0503010063	1" SELF-ALIGNING NUT		01
05	0571019710	1.7" X 3.4" PISTON		01
06	0503017935	RING		01
07	0503018144	RING		01
08	0571019711	RING SUPPORT		01
09	0503010761	D-1750 SCRAPER RING		01
10	0571019709	DETACHABLE COVER		01
11	0503017936	RING		01
12	0503017938	RING GUIDE		01
13	0503017937	GASKET		01
14	0503017940	8-337 BACK-UP RING		02
15	0503017939	2-337 N 3006-9B O' RING		02
16	0531061883	EXTENSOR 44.45 X 535		01
17	0511032281	HYDRAULIC CYLINDER REPAIR KIT		01

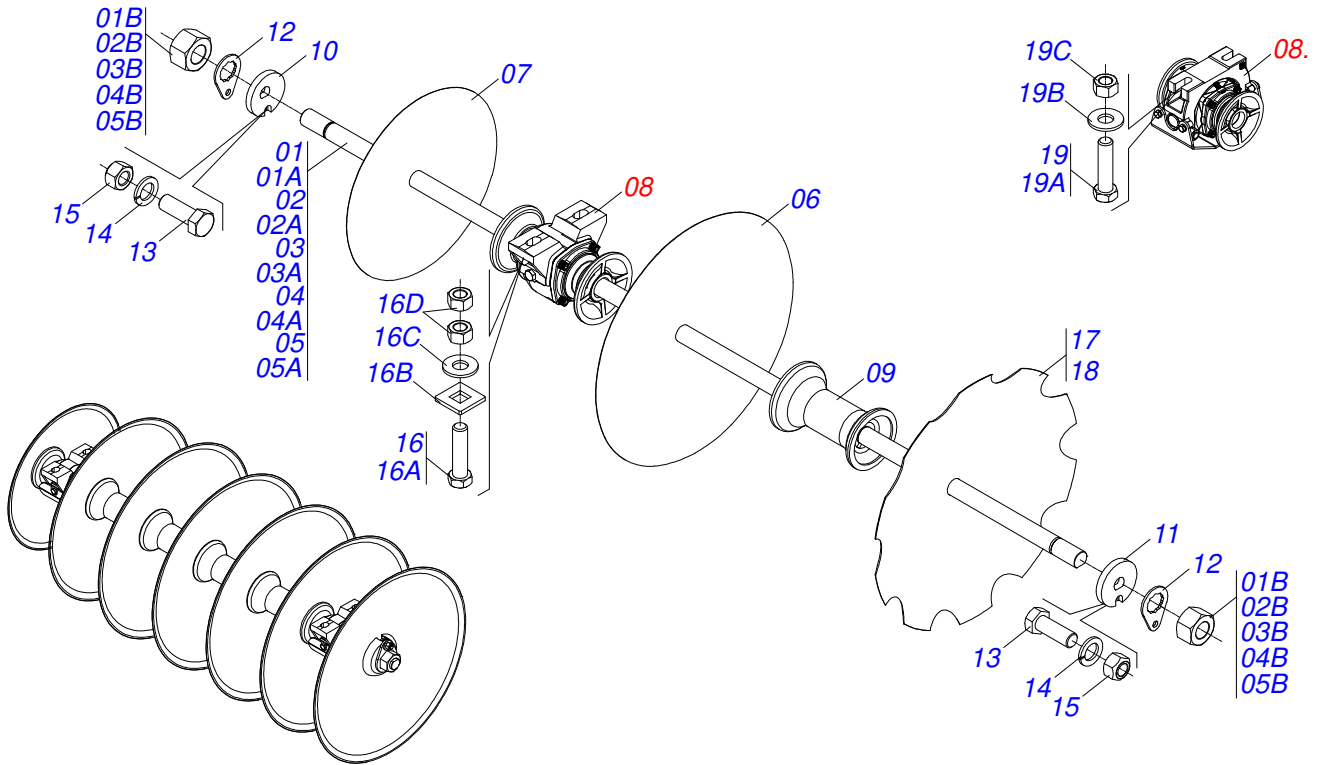


Item	Code	Description	See page	48	52	56	60	64
01	0521045341	AXLE		02	00	00	00	00
01A	0511012017	AXLE		02	00	00	00	00
02	0511054527	AXIS 1.1/2" UNC X 2490 WITH NUTS		00	02	00	00	00
02A	0531019372	AXIS 1.1/2 6FPP X 2490		00	02	00	00	00
03	0511045023	1.1/2" X 2680 AXLE		00	00	02	00	00
03A	0551011002	1.1/2" X 2680 AXLE		00	00	02	00	00
04	0501059898	1.1/2 X 2880 AXLE ASSY		00	00	00	02	00
04A	0561016111	1.1/2 X 2880 AXLE		00	00	00	02	00
05	0501043697	1.1/2" X 1505 AXLE ASSY		00	00	00	00	02
05A	0511012601	1.1/2" X 1505 AXLE		00	00	00	00	02
05B	0501810110	NUT 1.1/2		04	04	04	04	04
06	0602027341	DR20X3,5 C57AF02FR1.9/16 10R TATU		24	26	28	30	32
06.	0602027356	DR20X4,5 C57AF02FR1.9/16 10REC TATU		24	26	28	30	32
06..	0602029422	DR22X3,5 C64AF02FR1.9/16 10R TATU		24	26	28	30	32
06...	0602029416	DR22X4,5 C64AF02FR1.9/16 10REC TATU		24	26	28	30	32
06....	0602030429	NOTCHED DISC BLADE		24	26	28	30	32
07	0501047055	BEARING	47	06	06	06	06	08
07.	0521047187	BEARING		06	00	00	00	00
08	0502010627	SPACER		16	18	20	22	20
09	0502010871	1-1/2" EXTERNAL AXLE WASHER		02	02	02	02	04
10	0502010872	1-1/2" INNER AXLE WASHER		02	02	02	02	04
11	0501018592	1.5/8" NUT LOCK		04	04	04	04	04
12	0503011267	BOLT 5/8 UNC X 1.1/2 C S G.5 ZN		04	04	04	04	04
13	0503010027	5/8" SPRING WASHER		04	04	04	04	04
14	0503010013	5/8" NUT		04	04	04	04	04
15	0501042160	5/8" X 76 BOLT ASSY		12	12	12	12	18
15A	0501011234	5/8" X 3" BOLT		12	12	12	12	18
15B	0501010947	5/8 NUT LOCK		12	12	12	12	18
15C	0501012140	FLAT WASHER		12	12	12	12	18
15D	0503010013	5/8" NUT		12	12	12	12	18
16	0521059224	SCREW ASSEMBLY		12	00	00	00	00

<b>Item</b>	<b>Code</b>	<b>Description</b>	<b>See page</b>	<b>48</b>	<b>52</b>	<b>56</b>	<b>60</b>	<b>64</b>
16A	0501013233	5/8" X 2-3/4" BOLT		01	00	00	00	00
16B	0501012140	FLAT WASHER		01	00	00	00	00
16C	0503010013	5/8" NUT		02	00	00	00	00

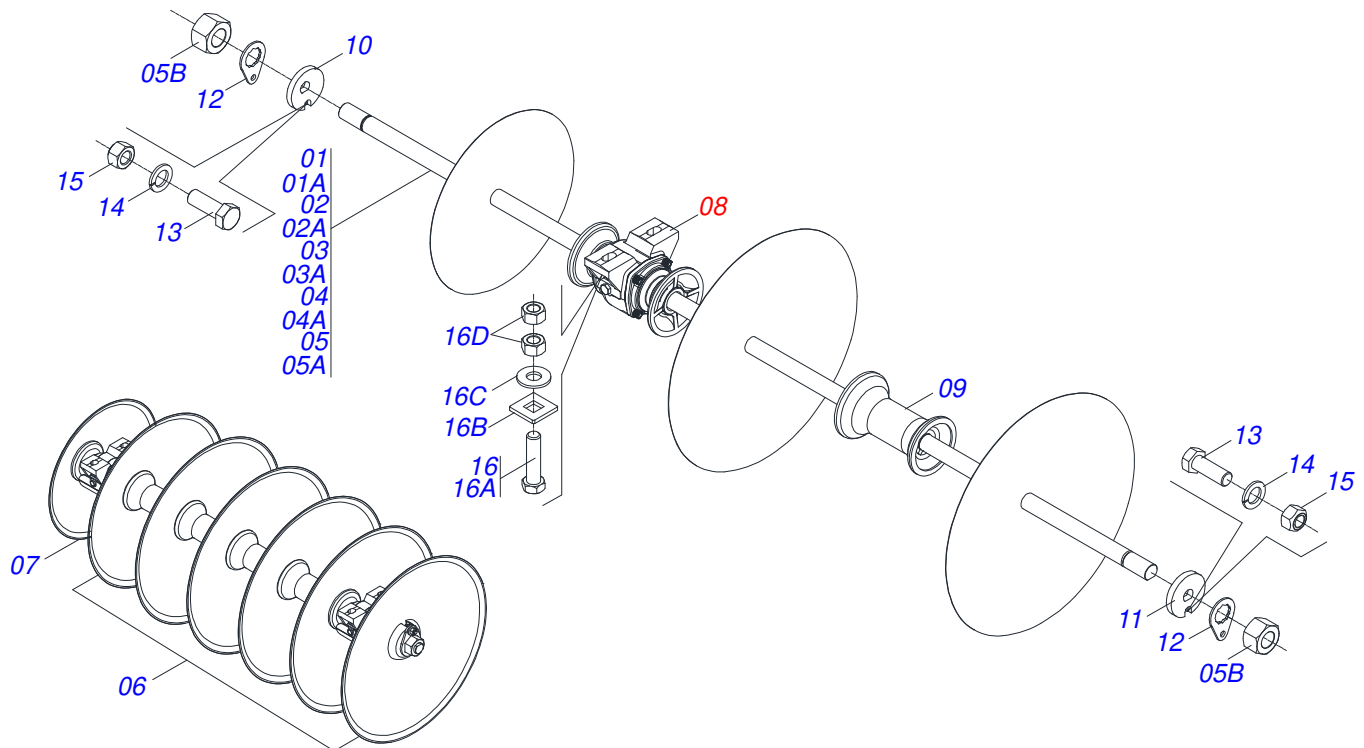


Item	Code	Description	See page	68	72	76	80	84
01	0501046884	1.1/2 X 1705 AXLE W/NUT		02	04	00	00	00
01A	0501018720	1.1/2 X 1705 AXLE		02	04	00	00	00
02	0501043697	1.1/2" X 1505 AXLE ASSY		02	00	02	02	00
02A	0511012601	1.1/2" X 1505 AXLE		02	00	02	02	00
03	0511049630	1.1/2 AXIS		00	00	02	00	00
03A	0561019198	1.1/2 AXIS		00	00	02	00	00
04	0521045341	AXLE		00	00	00	02	00
04A	0511012017	AXLE		00	00	00	02	00
05	0501044105	1.1/2 X 1305 AXLE W/NUT		00	00	00	00	06
05A	0511011914	1.1/2 X 1305 AXLE		00	00	00	00	06
05B	0501810110	NUT 1.1/2		04	04	04	04	04
06	0602027341	DR20X3,5 C57AF02FR1.9/16 10R TATU		24	26	28	30	32
06.	0602027356	DR20X4,5 C57AF02FR1.9/16 10REC TATU		24	26	28	30	32
06..	0602029422	DR22X3,5 C64AF02FR1.9/16 10R TATU		24	26	28	30	32
06...	0602029416	DR22X4,5 C64AF02FR1.9/16 10REC TATU		24	26	28	30	32
06....	0602030429	NOTCHED DISC BLADE		24	26	28	30	32
07	0501047055	BEARING	47	08	08	10	10	12
08	0502010627	SPACER		22	24	24	26	24
09	0502010871	1-1/2" EXTERNAL AXLE WASHER		02	02	02	02	04
10	0502010872	1-1/2" INNER AXLE WASHER		02	02	02	02	04
11	0501018592	1.5/8" NUT LOCK		04	04	04	04	04
12	0503011267	BOLT 5/8 UNC X 1.1/2 C S G.5 ZN		04	04	04	04	04
13	0503010027	5/8" SPRING WASHER		04	04	04	04	04
14	0503010013	5/8" NUT		04	04	04	04	04
15	0501042160	5/8" X 76 BOLT ASSY		12	12	12	12	18
15A	0501011234	5/8" X 3" BOLT		12	12	12	12	18
15B	0501010947	5/8 NUT LOCK		12	12	12	12	18
15C	0501012140	FLAT WASHER		12	12	12	12	18
15D	0503010013	5/8" NUT		12	12	12	12	18



Item	Code	Description	See page	48	52	56	60	64
01	0521045341	AXLE		02	00	00	00	00
01A	0511012017	AXLE		02	00	00	00	00
02	0511054527	AXIS 1.1/2" UNC X 2490 WITH NUTS		00	02	00	00	00
02A	0531019372	AXIS 1.1/2 6FPP X 2490		00	02	00	00	00
03	0511045023	1.1/2" X 2680 AXLE		00	00	02	00	00
03A	0551011002	1.1/2" X 2680 AXLE		00	00	02	00	00
04	0501059898	1.1/2 X 2880 AXLE ASSY		00	00	00	02	00
04A	0561016111	1.1/2 X 2880 AXLE		00	00	00	02	00
05	0501043697	1.1/2" X 1505 AXLE ASSY		00	00	00	00	02
05A	0511012601	1.1/2" X 1505 AXLE		00	00	00	00	02
05B	0501810110	NUT 1.1/2		04	04	04	04	04
06	0601027302	DL20X3,5 C57AF02FR1.9/16 TATU		22	24	26	28	30
06.	0601027299	DL20X4,5 C57AF02FR1.9/16 TATU		22	24	26	28	30
06..	0601029419	DL22X3,5 C64AF02FR1.9/16 TATU		22	24	26	28	30
06...	0601029413	DL22X4,5 C64AF02FR1.9/16 TATU		22	24	26	28	30
06....	0601031134	DL24X4,5 C66AF02FR1.9/16 D006 TT		22	24	26	28	30
07	0601025033	DL18X3,5 C45AF02FR1.9/16"		02	02	02	02	02
07.	0601025099	18" X 0.1" PLAIN DISC BLADE		02	02	02	02	02
07..	0601027302	DL20X3,5 C57AF02FR1.9/16 TATU		02	02	02	02	02
07...	0601027299	DL20X4,5 C57AF02FR1.9/16 TATU		02	02	02	02	02
07....	0601029414	DL22X4,5 C63AF02FR1.9/16 TATU		02	02	02	02	02
08	0501047055	BEARING	47	06	06	06	06	08
08.	0521047187	BEARING		06	00	00	00	00
09	0502010627	SPACER		16	18	20	22	20
10	0502010871	1-1/2" EXTERNAL AXLE WASHER		02	02	02	02	04
11	0502010872	1-1/2" INNER AXLE WASHER		02	02	02	02	04
12	0501018592	1.5/8" NUT LOCK		04	04	04	04	04
13	0503011267	BOLT 5/8 UNC X 1.1/2 C S G.5 ZN		04	04	04	04	04
14	0503010027	5/8" SPRING WASHER		04	04	04	04	04
15	0503010013	5/8" NUT		04	04	04	04	04
16	0501042160	5/8" X 76 BOLT ASSY		12	12	12	12	18

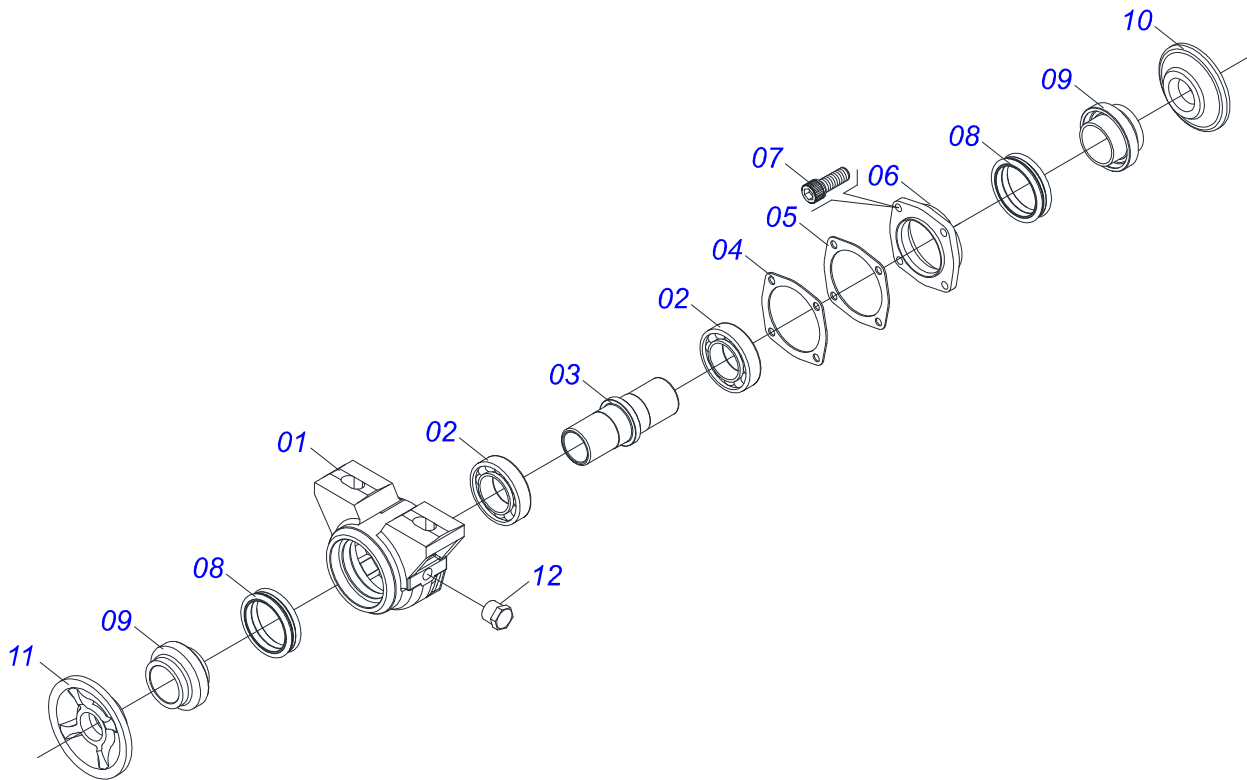
<b>Item</b>	<b>Code</b>	<b>Description</b>	<b>See page</b>	<b>48</b>	<b>52</b>	<b>56</b>	<b>60</b>	<b>64</b>
16A	0501011234	5/8" X 3" BOLT		12	12	12	12	18
16B	0501010947	5/8 NUT LOCK		12	12	12	12	18
16C	0501012140	FLAT WASHER		12	12	12	12	18
16D	0503010013	5/8" NUT		12	12	12	12	18
17	0602029416	DR22X4,5 C64AF02FR1.9/16 10REC TATU		22	00	00	00	00
18	0602027343	DR20X4,5 C57AF02FR1.9/16 10R TATU		02	00	00	00	00
19	0521059224	SCREW ASSEMBLY		12	00	00	00	00
19A	0501013233	5/8" X 2-3/4" BOLT		01	00	00	00	00
19B	0501012140	FLAT WASHER		01	00	00	00	00
19C	0503010013	5/8" NUT		02	00	00	00	00



Item	Code	Description	See page	68	72	76	80	84
01	0501046884	1.1/2 X 1705 AXLE W/NUT		02	04	00	00	00
01A	0501018720	1.1/2 X 1705 AXLE		02	04	00	00	00
02	0501043697	1.1/2" X 1505 AXLE ASSY		02	00	02	02	00
02A	0511012601	1.1/2" X 1505 AXLE		02	00	02	02	00
03	0511049630	1.1/2 AXIS		00	00	02	00	00
03A	0561019198	1.1/2 AXIS		00	00	02	00	00
04	0521045341	AXLE		00	00	00	02	00
04A	0511012017	AXLE		00	00	00	02	00
05	0501044105	1.1/2 X 1305 AXLE W/NUT		00	00	00	00	06
05A	0511011914	1.1/2 X 1305 AXLE		00	00	00	00	06
05B	0501810110	NUT 1.1/2		04	04	04	04	04
06	0601027302	DL20X3,5 C57AF02FR1.9/16 TATU		32	34	36	38	40
06.	0601027299	DL20X4,5 C57AF02FR1.9/16 TATU		32	34	36	38	40
06..	0601029419	DL22X3,5 C64AF02FR1.9/16 TATU		32	34	36	38	40
06...	0601029413	DL22X4,5 C64AF02FR1.9/16 TATU		32	34	36	38	40
06....	0601031134	DL24X4,5 C66AF02FR1.9/16 D006 TT		32	34	36	38	40
07	0601025033	DL18X3,5 C45AF02FR1.9/16"		02	02	02	02	02
07.	0601025099	18" X 0.1" PLAIN DISC BLADE		02	02	02	02	02
07..	0601027302	DL20X3,5 C57AF02FR1.9/16 TATU		02	02	02	02	02
07...	0601027299	DL20X4,5 C57AF02FR1.9/16 TATU		02	02	02	02	02
07....	0601029414	DL22X4,5 C63AF02FR1.9/16 TATU		02	02	02	02	02
07.....	0602029416	DR22X4,5 C64AF02FR1.9/16 10REC TATU		32	34	36	38	40
07.....	0602027119	DR20X4,5 C57AF02FR1.9/16 (D006) 10REC		02	02	02	02	02
08	0501047055	BEARING	47	06	06	06	06	08
09	0502010627	SPACER		16	18	20	22	20
10	0502010871	1-1/2" EXTERNAL AXLE WASHER		02	02	02	02	04
11	0502010872	1-1/2" INNER AXLE WASHER		02	02	02	02	04
12	0501018592	1.5/8" NUT LOCK		04	04	04	04	04
13	0503011267	BOLT 5/8 UNC X 1.1/2 C S G.5 ZN		04	04	04	04	04
14	0503010027	5/8" SPRING WASHER		04	04	04	04	04
15	0503010013	5/8" NUT		04	04	04	04	04

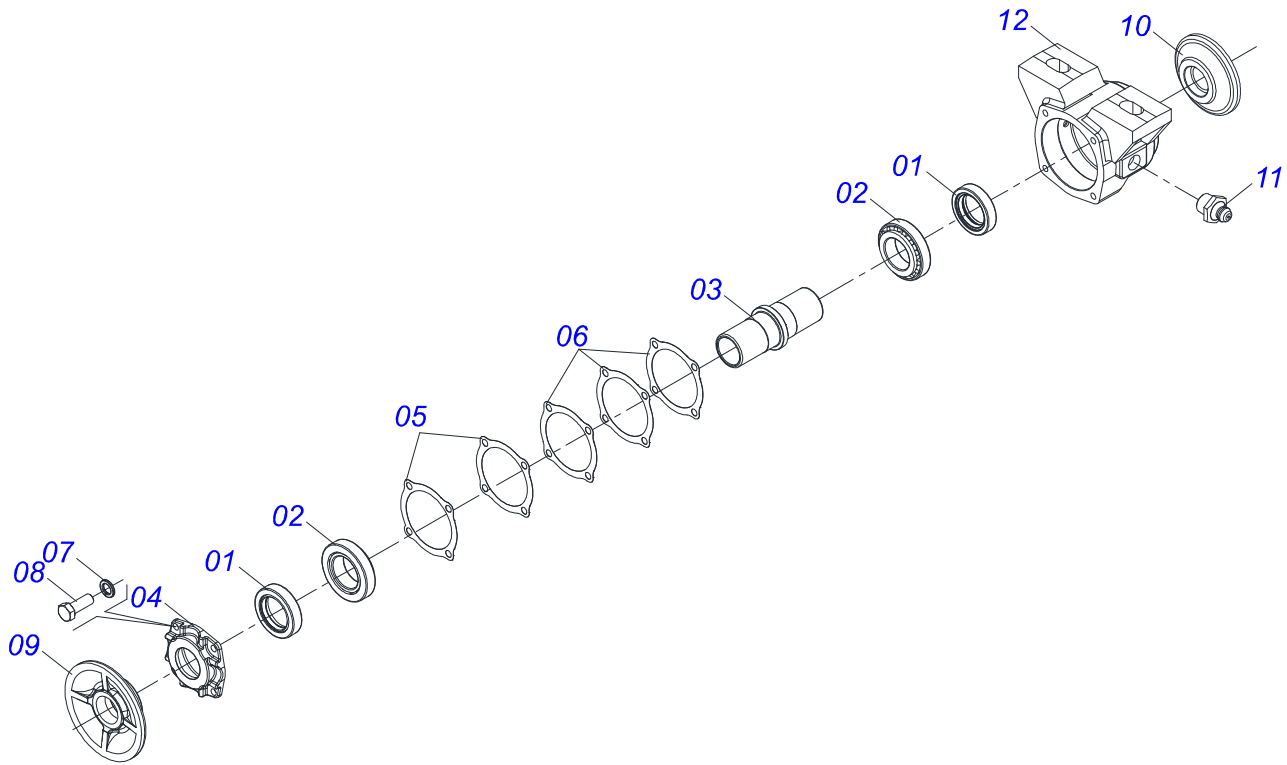


<b>Item</b>	<b>Code</b>	<b>Description</b>	<b>See page</b>	<b>68</b>	<b>72</b>	<b>76</b>	<b>80</b>	<b>84</b>
16	0501042160	5/8" X 76 BOLT ASSY		12	12	12	12	18
16A	0501011234	5/8" X 3" BOLT		12	12	12	12	18
16B	0501010947	5/8 NUT LOCK		12	12	12	12	18
16C	0501012140	FLAT WASHER		12	12	12	12	18
16D	0503010013	5/8" NUT		12	12	12	12	18



Item	Code	Description	See page	QT
01	0502010540	HOUSING DM		01
02	0503010006	32210 ROLLER BEARING		02
03	0502040061	AXLE		01
04	0503030013	4.4" X 3.5" X 0.004" JOINT		03
05	0503030684	4.4" X 3.5" X 0.004" JOINT		02
06	0502020424	HOUSING CAP		01
07	0503010134	3/8" X 1" BOLT		04
08	0503030026	SEAL LP JB-253		02
09	0502010541	SEAL RETAINER		02
10	0502010604	OUTER FLANGE		01
11	0502010605	INNER FLANGE		01
12	0503010856	OIL PLUG		02

**BEARING**



Item	Code	Description	See page	QT
01	0503010468	SEAL 01199-GB		01
02	0503010006	32210 ROLLER BEARING		02
03	0502040061	AXLE		01
04	0502020273	HOUSING CAP CM		01
05	0503030684	4.4" X 3.5" X 0.004" JOINT		02
06	0503030013	4.4" X 3.5" X 0.004" JOINT		03
07	0503011443	3/8" SPRING WASHER		04
08	0503810237	3/8 UNC X 1 C S G.5 SA BOLT		04
09	0502010604	OUTER FLANGE		01
10	0502010605	INNER FLANGE		01
11	0503010002	1800 GREASE FITTING		02
12	0502020313	HOUSING CM		01





***civemasa***

**Technical Publications | Elaboration and Revision**

LUIZ CANDIDO

[www.civemasa.com.br](http://www.civemasa.com.br)

