

**DISK HARROWS**

## **GIPCR 300 - 22/24/26/28D**

**Code:** 0501092938

**Series:** S-0504

**Revision:** 00

**Revision Date:** MARÇO/2021

# **PARTS CATALOGUE**

***CIVEMASA***




# PRODUCTS

Code	Description
0120880022	GIPCR 300 22X30X7,50 DM RD DR S-0504
0120880016	GIPCR 300 24X30X7,50 DM DR RD D S-0504
0120880019	GIPCR 300 26X30X7,50 DM RD D S-0504
0120880020	GIPCR 300 28X28X7,5 DM RD DR S-0504
0120880013	GIPCR 300 28X30X7,5 DM RD DR S-0504

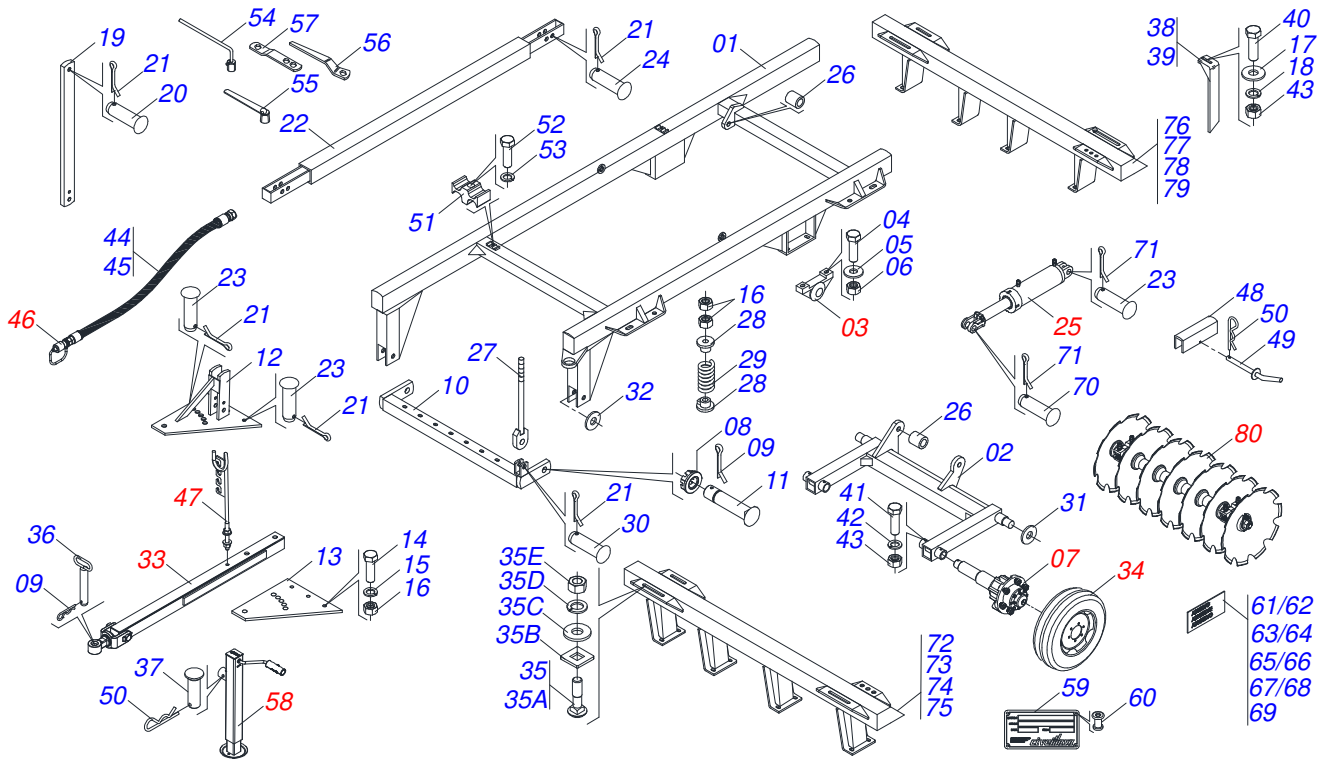
## ATTENTION: IMPORTANT

Civemasa reserves the right to improve and / or modify the technical features of its products, without obligation to do the same with those products already sold and without prior knowledge of the dealer or the consumer.



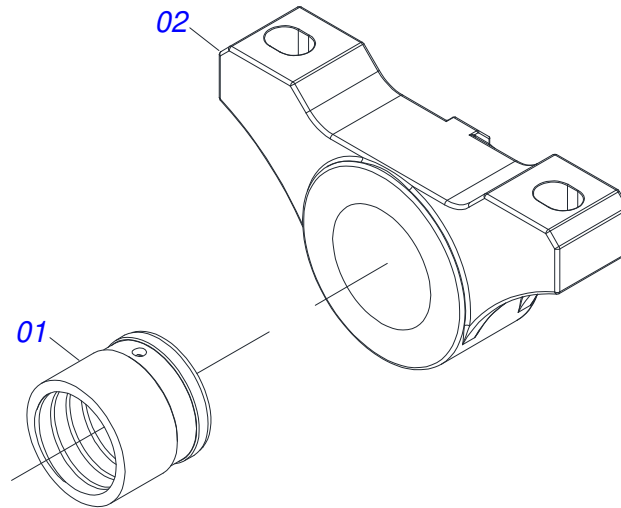
# INDEX

0909095664	ASSY FRAME - 22/24/26/28D	.....	1
0501110856	ARTICULACION BEARING	.....	2
0501054931	STUB SHAFT & HUB	.....	3
0501051142	CARRYING WHEEL HUB	.....	4
0511059180	HYDRAULIC CYLINDER	.....	5
0521048502	ASSY TRACTION BAR	.....	6
0521057520	HITCH ASSY	.....	7
0503060091	L29.5"X0.63"-10L WHEEL AND	.....	8
0501053834	MALE QUICK COUPLER WITH CAP - 1/2 NPT	.....	9
0501040257	3/4 X 1200 HOSE HOLDER A	.....	10
0503062157	HEADER JACK	.....	11
0909095665	GANG DISC - 22/24/26/28D	.....	12
0511042128	OIL BATH BEARING	.....	13

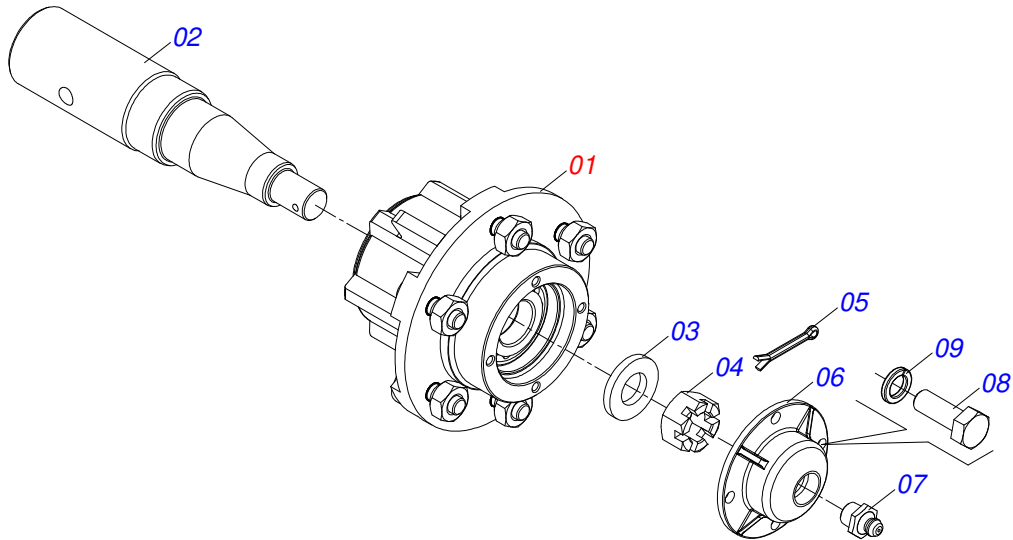


Item	Code	Description	See page	22	24	26	28
01	0521062612	FRAME		01	01	01	01
02	0501065518	CARRYING-WHEELS		01	01	01	01
03	0501110856	ARTICULACION BEARING	2	02	02	02	02
04	0503010797	3/4" X 4" BOLT		04	04	04	04
05	0501010322	FLAT WASHER		04	04	04	04
06	0503010014	3/4" NUT		08	08	08	08
07	0501054931	STUB SHAFT & HUB	3	02	02	02	02
08	0501011301	1.1/2 UNC 6FPP 2.5/16 NUT		03	03	03	03
09	0503010010	1/4" X 2.1/2" COTTERPIN		03	03	03	03
10	0501066262	OFFSET BAR		01	01	01	01
11	0521017538	11-1/2" X 5" COUPLING SHAFT		02	02	02	02
12	0501066235	UPPER PLATE WITH SUPPORT		01	01	01	01
13	0511013000	UPPER /LOWER PLATE		01	01	01	01
14	0501010334	1" X 7" BOLT		04	04	04	04
15	0503011438	SPRING WASHER		12	12	12	12
16	0501010059	1.5/8 NUT		12	12	12	12
17	0511017302	FLAT WASHER		32	32	32	32
18	0503010019	1/2" SPRING WASHER		32	32	32	32
19	0511012972	TSTABILIZER BAR TOWER		01	01	01	01
20	0521010576	0.9" X 3.7" COUPLING SHAFT		01	01	01	01
21	0503010571	1/4" X 1.1/2 COTTERPIN		06	06	06	06
22	0511066932	CSTABILIZER BARCOTTERPIN		01	01	01	01
23	0521012538	1.2" X 3.5" COUPLING SHAFT		03	03	03	03
24	0521012534	0.9" X 6.1" AXLE		01	01	01	01
25	0511059180	HYDRAULIC CYLINDER	5	01	01	01	01
26	0511019920	LUVA 32,7 X 38,8 X 25,40		03	03	03	03
27	0501064698	SPRING ROD		01	01	01	01
28	0502020392	SPRING SUPPORT		02	02	02	02
29	0503030441	12.7" X 5.7" X 0.5"SPRING		01	01	01	01
30	0521010592	1.1" X 3.1" COUPLING SHAFT		01	01	01	01
31	0501017579	FLAT WASHER		02	02	02	02

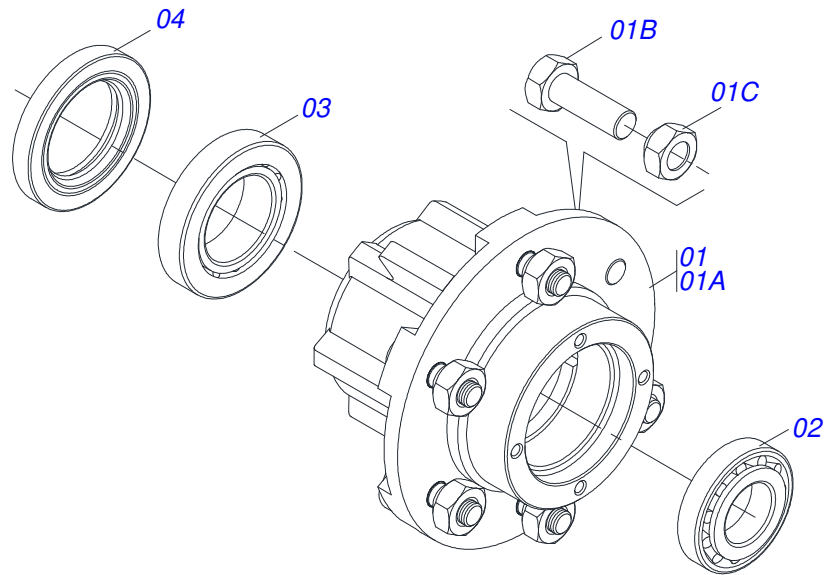
Item	Code	Description	See page	22	24	26	28
32	0511019880	FLAT WASHER		02	02	02	02
33	0521048502	ASSY TRACTION BAR	6	01	01	01	01
34	0503060091	L29.5"X0.63"-10L WHEEL AND	8	02	02	02	02
35	0501040877	C1" X 3-1/4" ASSY BOLT		08	08	08	08
35A	0501010171	BOLT 1 UNC X 3.1/2 C S G.5		08	08	08	08
35B	0502012861	1" SQUARE WASHER		08	08	08	08
35C	0501010065	1" SPRING WASHER		08	08	08	08
35D	0503010012	1" SPRING WASHER		08	08	08	08
35E	0501010059	1.5/8 NUT		08	08	08	08
36	0501069080	COUPLING SHAFT		01	01	01	01
37	0521010549	COUPLING SHAFT		01	01	01	01
38	0501064168	REAR SCRAPER		06	07	08	09
39	0501064167	REAR SCRAPER		06	07	08	09
40	0503010740	BOLT 1/2 UNC X 2 CS G.5 ZN		24	28	32	36
41	0503010547	1/2" X 4" BOLT		02	02	02	02
42	0503010019	1/2" SPRING WASHER		24	28	32	36
43	0503010060	1/2" NUT		24	28	32	36
44	0501080443	3/8" X 236" TR-TM HOSE		01	01	01	01
45	0501080421	3/8" X 230" TR-TM HOSE ASS		01	01	01	01
46	0501053834	MALE QUICK COUPLER WITH CAP - 1/2 NPT	9	02	02	02	02
47	0501040257	3/4 X 1200 HOSE HOLDER A	10	01	01	01	01
48	0511010839	TRANSPORT LOCK 7.9" X 2.1" X 0.4"		01	01	01	01
49	0501068994	0.3" X 3.1" LOCK PIN		01	01	01	01
50	0503030168	HAIR PIN		02	02	02	02
51	0502012702	BODY SUPPORT CLAMP		02	02	02	02
52	0503012555	SCREW 7/16 UNC X 2 CS RT G.7 ZN		02	02	02	02
53	0503010180	7/16" SPRING WASHER		02	02	02	02
54	0503016140	3/4" WRENCH CABLE CYLINDRICAL		01	01	01	01
55	0501061617	1" GANG BOLT WRENCH		01	01	01	01
56	0501011431	1-3/4" GANG BOLT WRENCH		02	02	02	02
57	0511018451	5/8" X 3/4" X 1" UNIVERSAL		01	01	01	01
58	0503062157	HEADER JACK	11	01	01	01	01
59	0503034004	ALUMINUM IDENTIFICATION LABEL		01	01	01	01
60	0503010001	3.2 X 5.5 RIVET		04	04	04	04
61	0503033615	ADHESIVE		02	02	02	02
62	0503034355	EMBLEM		02	02	02	02
63	0503033038	DANGER SIGN		01	01	01	01
64	0503031827	LUBRICATE AND RETIGHTEN DAILY DECAL		01	01	01	01
65	0503034078	LIFTING POINTS DECAL		01	01	01	01
66	0503031739	ADHESIVE LABEL		01	01	01	01
67	0503033647	APPROVED BADGE		01	01	01	01
68	0503031738	ADHESIVE LABEL		01	01	01	01
69	0503031428	READ MANUAL DECAL		01	01	01	01
70	0511010174	1.2" X 5.9" COUPLING SHAFT		01	01	01	01
71	0503010523	1/4" X 2" COTTERPIN		02	02	02	02
72	0521064200	FRONT FRAME		01	00	00	00
73	0521064201	FRONT FRAME 3300		00	01	00	00
74	0521064202	FRONT FRAME		00	00	01	00
75	0521067932	FRONT FRAME 28		00	00	00	01
76	0531060761	REAR FRAME 22		01	00	00	00
77	0521069130	REAR FRAME 24		00	01	00	00
78	0531060463	REAR FRAME 26		00	00	01	00
79	0521067933	REAR FRAME 28		00	00	00	01
80	0909095665	GANG DISC - 22/24/26/28D	12	01	01	01	01



Item	Code	Description	See page	QT
001	0581012980	SLEEVE		01
002	0502010006	ARTICULACION BEARING		01

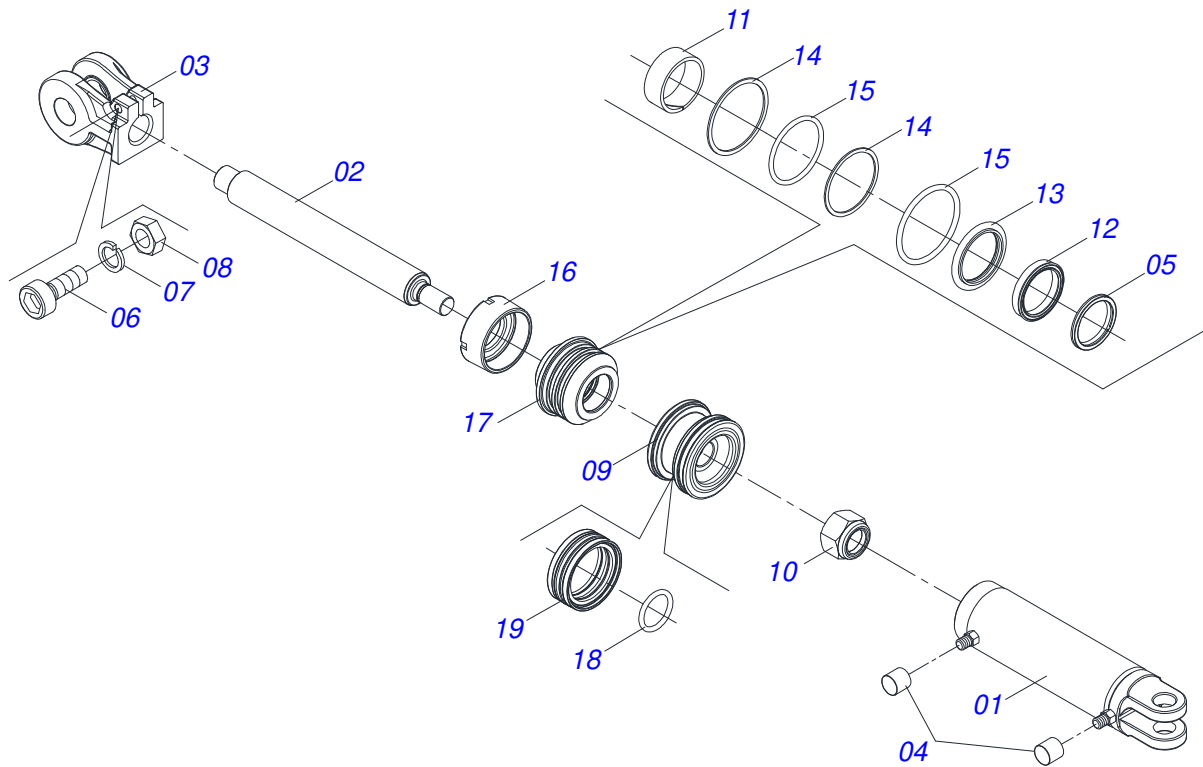


Item	Code	Description	See page	QT
01	0501051142	CARRYING WHEEL HUB	4	01
02	0541010739	2.5" X 12.2" AXLE		01
03	0501016545	FLAT WASHER		01
04	0503030009	1" CASTLE NUT		01
05	0503010018	5/32 X 1-1/2 COTTERPIN		01
06	0502020591	PROTECCION COVER		01
07	0503010002	1800 GREASE FITTING		01
08	0503010358	5/16" X 5/8" BOLT		04
09	0503011444	SPRING WASHER		04

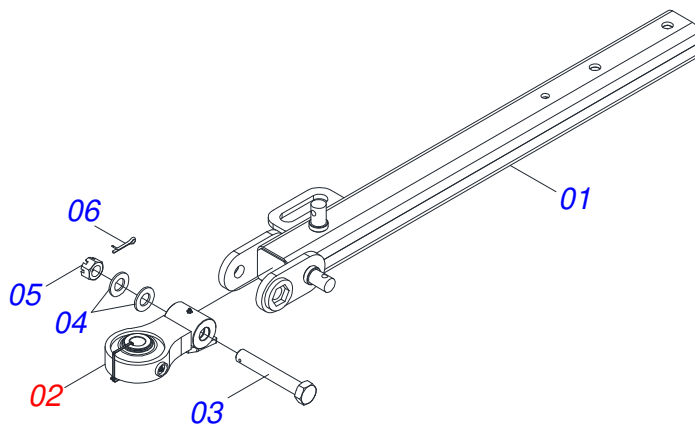


Item	Code	Description	See page	QT
01	0501110728	WHEEL HUB		01
01A	0502011121	CARRYING WHEEL HUB		01
01B	0501010127	9/16" X 1-7/8" LUG BOLT		06
01C	0503010035	9/16" CONIC NUT		06
02	0503010037	30207 ROLLER BEARING		01
03	0503010006	32210 ROLLER BEARING		01
04	0503012928	SEAL		01



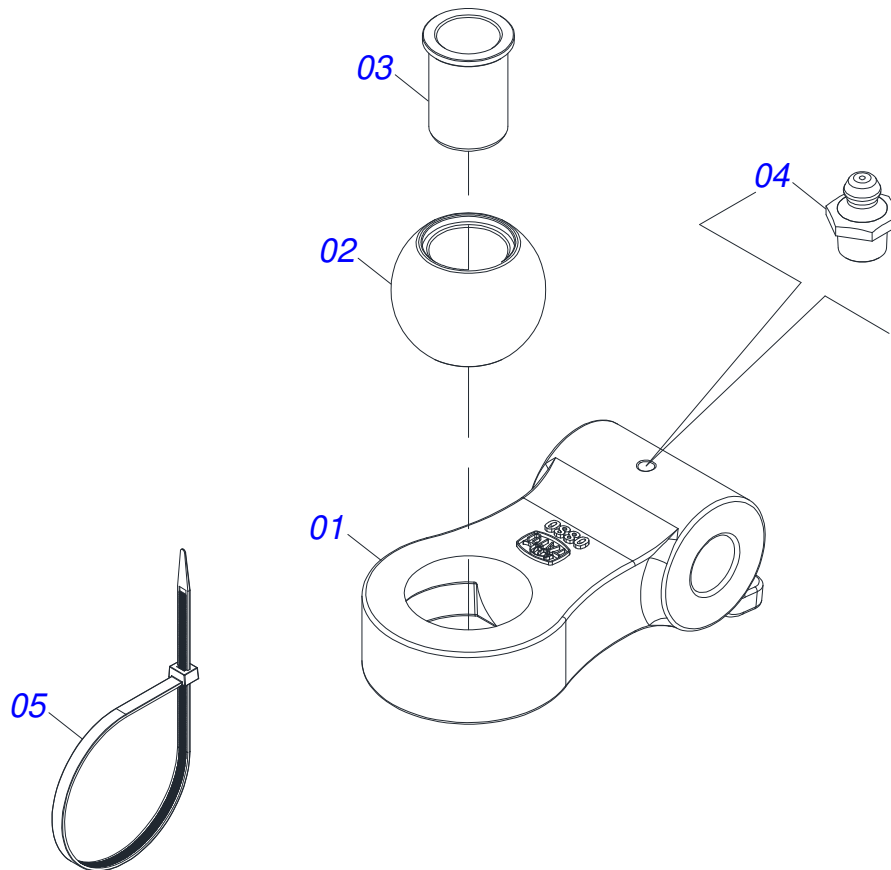


Item	Code	Description	See page	QT
001	0511070658	CYLINDER CASE	01	01
002	0571019958	HYDRAULIC CYLINDER TURNBUCKLE	01	01
003	0502040747	32.54 CLEVIS CLAMP	01	01
004	0503030385	CYLINDER PLUG N-002	02	01
005	0503010039	D-2000 SCRAPER RING	01	01
006	0503011094	3/8" X 2" BOLT	01	01
007	0503011443	3/8" SPRING WASHER	01	01
008	0503010026	3/8" NUT	01	01
009	0502012820	50.80 X 101.60 PISTON	01	01
010	0503010817	1.1/4" SELF LOCKING NUT	01	01
011	0503018025	RING GUIDE	01	01
012	0503018026	1870-2000-375 B GASKET	01	01
013	0503018024	RING BS	01	01
014	0503010338	2-342 N 3006-9B O'RING	02	02
015	0503011061	8-342 BACK-UP RING	02	02
016	0502012822	101.60 END CAP	01	01
017	0502012821	50.80 X 101.60 RING SUPPORT	01	01
018	0503018029	2-217 O'RING	01	01
019	0503015633	SELEMASTER SEALING	01	01

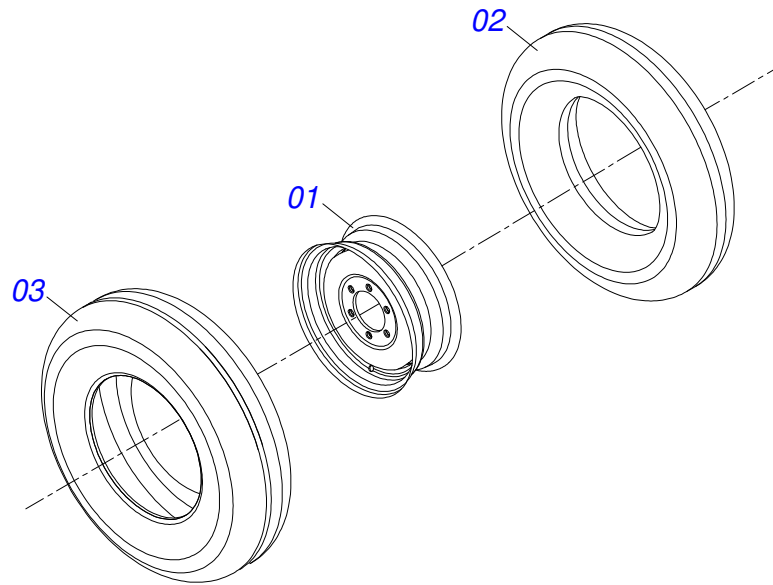


Item	Code	Description	See page	QT
01	0521069165	DRAWBAR ASSY		01
02	0521057520	HITCH ASSY	7	01
03	0581015973	1.1/4 UNC X 8 C S G5 SCREW		01
04	0501017779	32 X 60 X 4.75 FLAT WASHER		02
05	0503013026	1.1/4" CASTLE NUT		01
06	0503010010	1/4" X 2.1/2" COTTERPIN		01

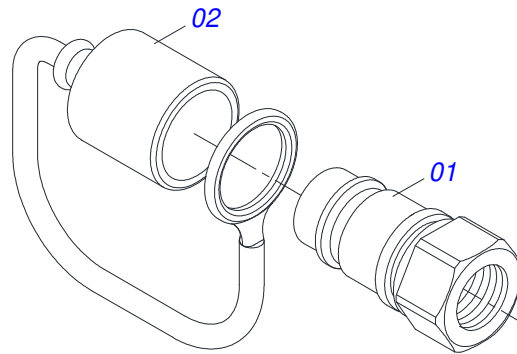
**HITCH ASSY**



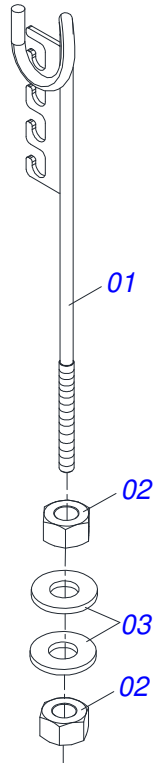
Item	Code	Description	See page	QT
001	0502040880	HITCH BODY		01
002	0502040885	BODY ATTACHMENT		01
003	0591012511	SLEEVE		01
004	0503010002	1800 GREASE FITTING		01
005	0503018829	NYLON CLAMP		01



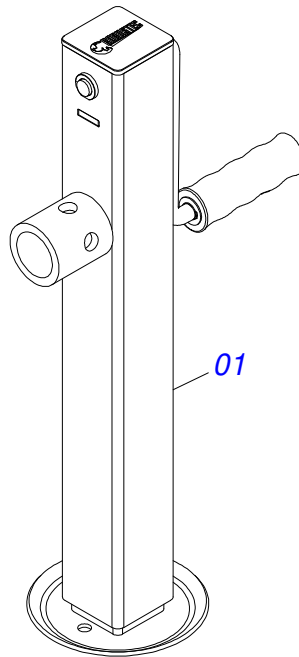
Item	Code	Description	See page	QT
01	0503010893	WHEEL		01
02	0503010033	7.50 X 16 INNER TIRE		01
03	0503010120	CANVAS TIRE		01



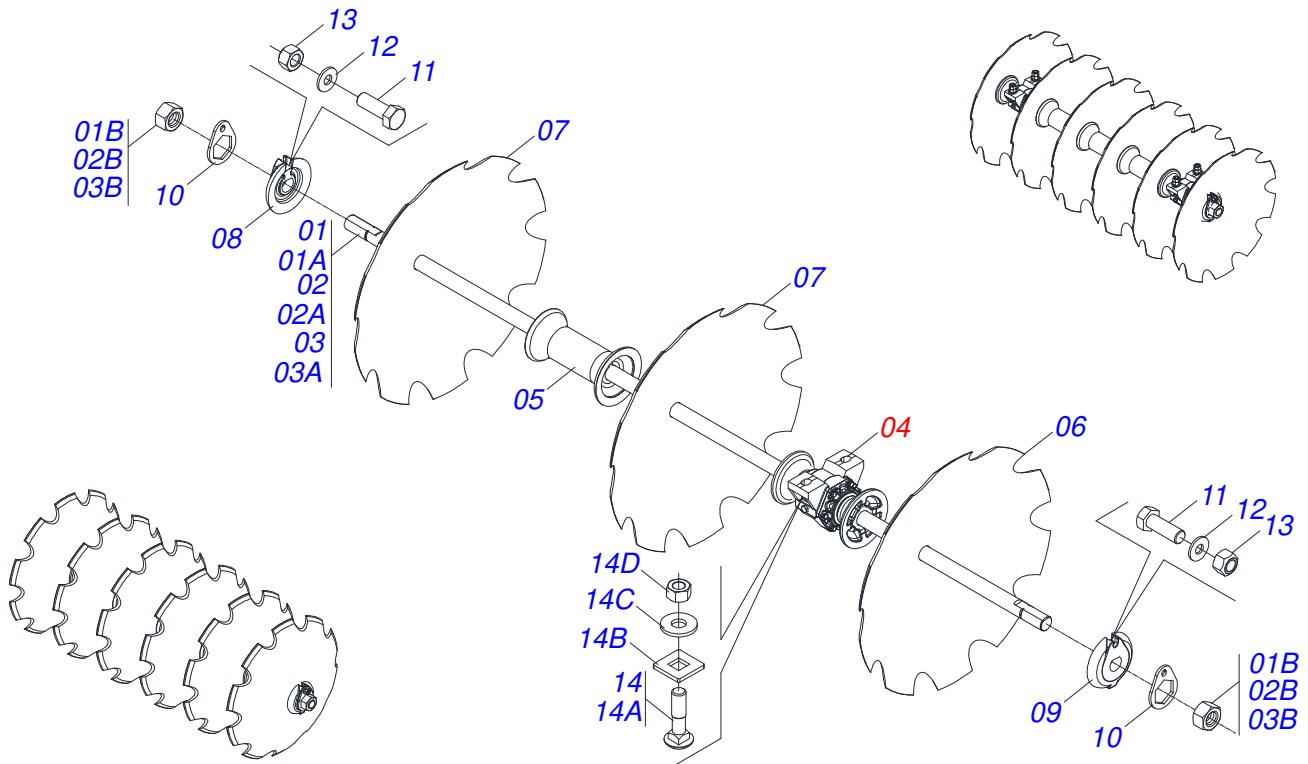
Item	Code	Description	See page	QT
01	0503011627	MALE QUICK COUPLER AGR 1/2 NPT		01
02	0503011882	MALE QUICK COUPLER CAP		01



Item	Code	Description	See page	QT
01	0511067334	HOSE SOPPORT ASSY		01
02	0503010014	3/4" NUT		02
03	0501010322	FLAT WASHER		02

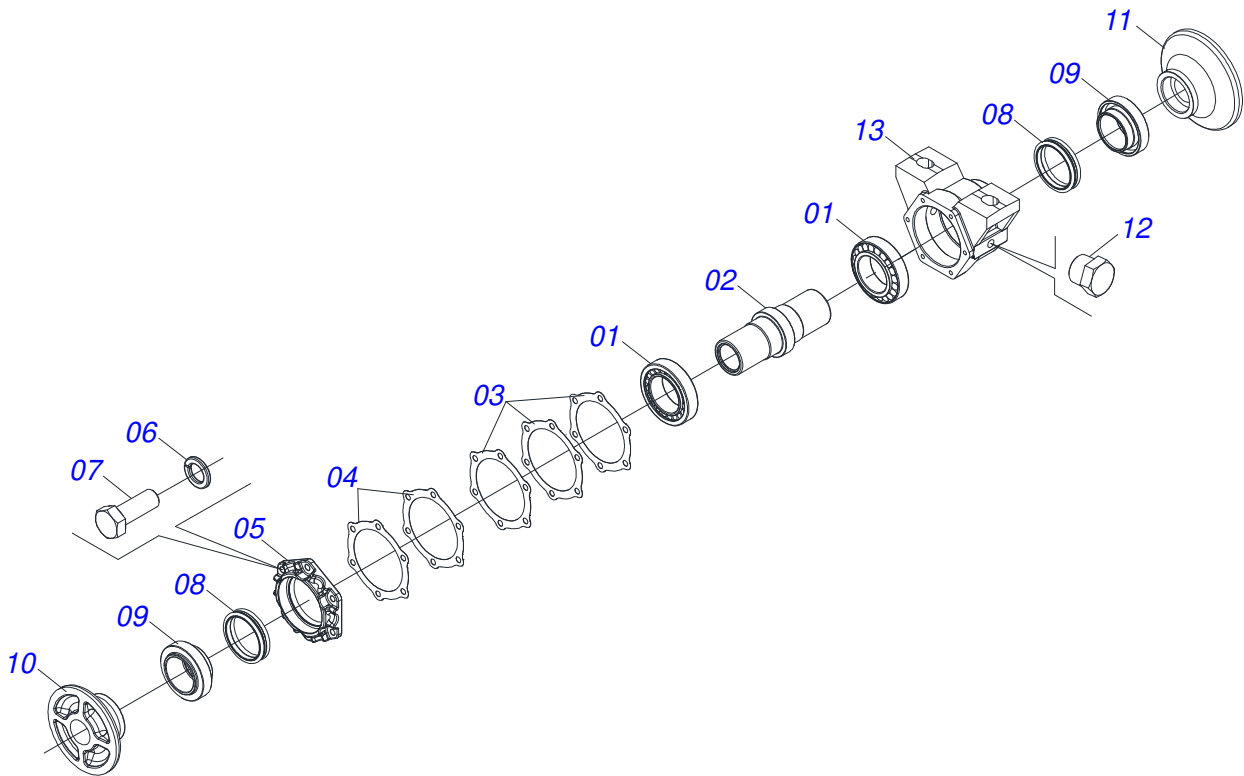


Item	Code	Description	See page	QT
01	0503062157	HEADER JACK	11	01



Item	Code	Description	See page	22	24	26	28
01	0511044702	1.3/4" X 1960 AXLE ASSY		00	00	01	04
01A	0541010246	1.3/4" X 1960 AXLE		00	00	01	01
01B	0501010333	1.3/4" NUT		00	00	02	02
02	0511044700	1.3/4" X 1360MM AXLE		02	00	00	00
02A	0541010244	1.3/4 X 1360 AXLE		01	00	00	00
02B	0501010333	1.3/4" NUT		02	00	00	00
03	0511044701	1.3/4" X 1660 AXLE WITH NUT		02	04	02	00
03A	0541010245	1.3/4 X 1660 AXLE		01	01	01	00
03B	0501010333	1.3/4" NUT		02	02	02	00
04	0511042128	OIL BATH BEARING	13	08	08	08	08
05	0502012193	292 X 1.3/4" SPACER		10	12	14	16
06	0602037001	28" X 7,5MM NOTCHED DISC BLADE		00	00	00	28
07	0602040041	30X7,5 C105AF04FR1.13/16 10R T/CV NOTCHED DISC		22	24	26	00
08	0502012222	1-3/4" EXTERNAL AXLE WASHER		04	04	04	04
09	0502012221	1-1/2" INNER AXLE WASHER		04	04	04	04
10	0511014339	1-5/8" 2.8" NUT LOCK		08	08	08	08
11	0503010232	5/8" X 1.3/4" BOLT		08	08	08	08
12	0501012140	FLAT WASHER		08	08	08	08
13	0503012412	5/8 UNC SELF LOCKING NUT		08	08	08	08
14	0511040034	3/4" X 3-1/4" BOLT ASSY		16	16	16	16
14A	0501017303	3/4" X 3-1/4" BOLT		16	16	16	16
14B	0501010949	3/4" SQUARE WASHER		16	16	16	16
14C	0501010322	FLAT WASHER		16	16	16	16
14D	0503010014	3/4" NUT		16	16	16	16





Item	Code	Description	See page	QT
001	0503010104	3984/3920 ROLLER BEARING		02
002	0502010824	AXLE CM/DM		01
003	0503030030	5.6" X 4.4" X 0.01" GASKET		03
004	0503030685	5.5" X 4.4" X 0.003" GASKET		02
005	0502020161	WEAR PLATE BEARING		01
006	0503011443	3/8" SPRING WASHER		06
007	0503010237	3/8" X 1" BOLT		06
008	0503030027	DUO-CONE SEAL		02
009	0502010823	SEAL RETAINER		02
010	0502012194	INNER FLANGE		01
011	0502012195	BEARING OUTER FLANGE		01
012	0503010856	OIL PLUG		02
013	0502020477	HOUSING DM		01





***civemasa***

**Technical Publications | Elaboration and Revision**

LORENA ROCHA ALVES

[www.civemasa.com.br](http://www.civemasa.com.br)

