

PARTS CATALOGUE

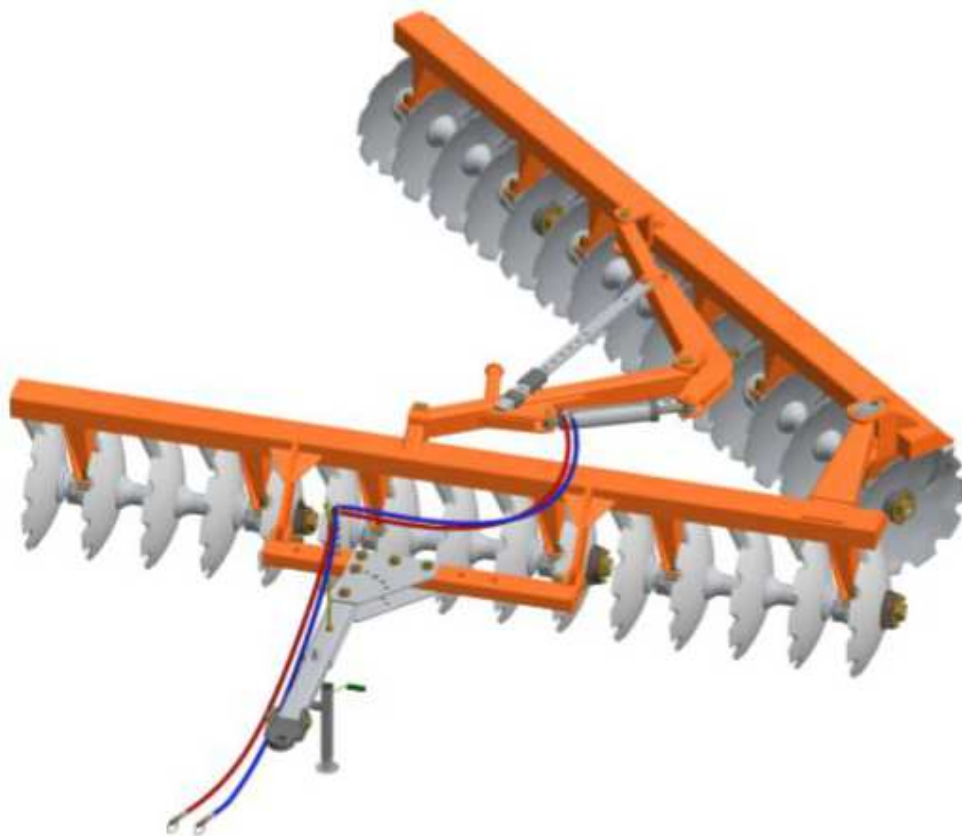
DISK HARROWS

Code:

0501092930

Product:

GPCM 12/16/18/20/24D



Series:

S-0182

Revision:

00

Revision Date:

MARÇO/2021




PRODUCTS

Code	Description
0121790003	GPCM 12 X 32 X 12,00 DM S-0182
0121790005	GPCM 16 X 32 X 9,00 DM S-0182
0121790002	GPCM 18 X 34 X 9,00 DM S-0182
0121790001	GPCM 20 X 32 X 12,00 DM S-0182
0121790004	GPCM 20 X 34 X 9,00 DM S-0182
0121790006	GPCM 24 X 32 X 9,00 DM S-0182

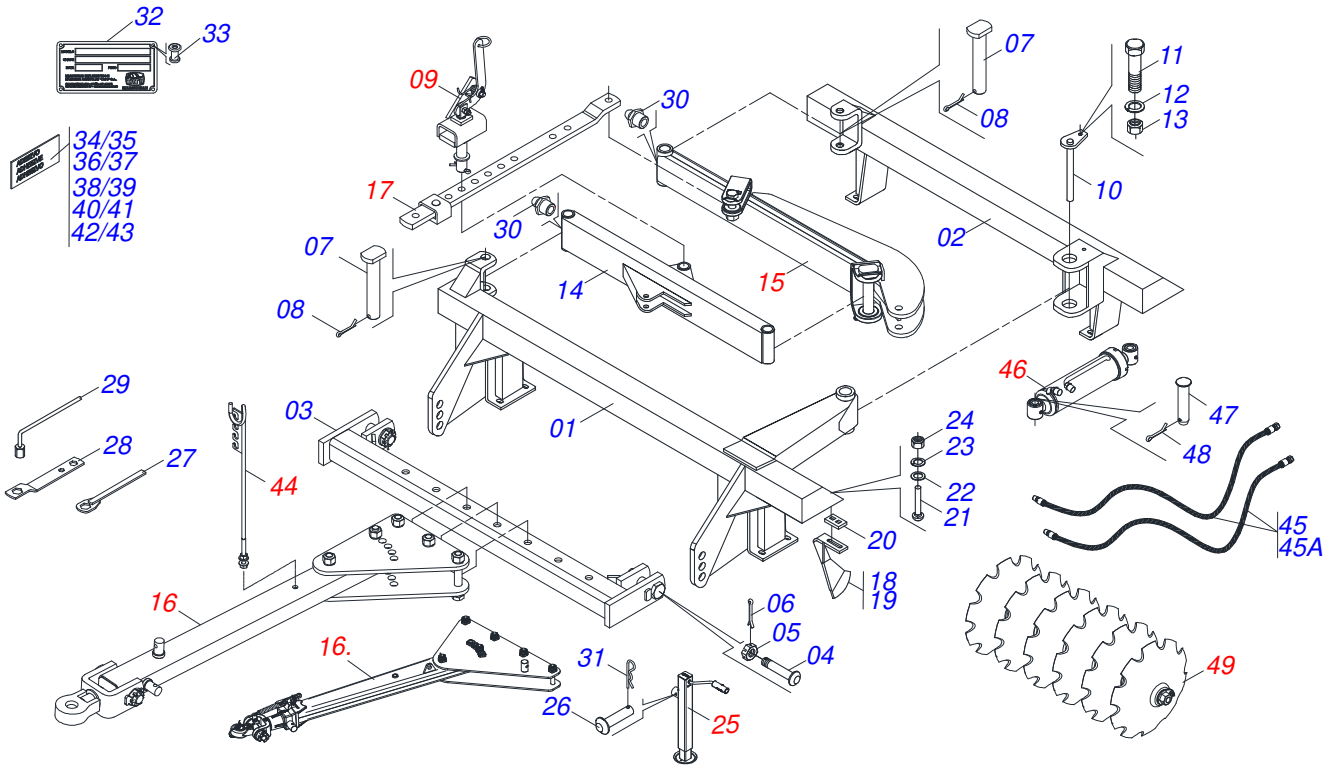
ATTENTION: IMPORTANT

Civemasa reserves the right to improve and / or modify the technical features of its products, without obligation to do the same with those products already sold and without prior knowledge of the dealer or the consumer.



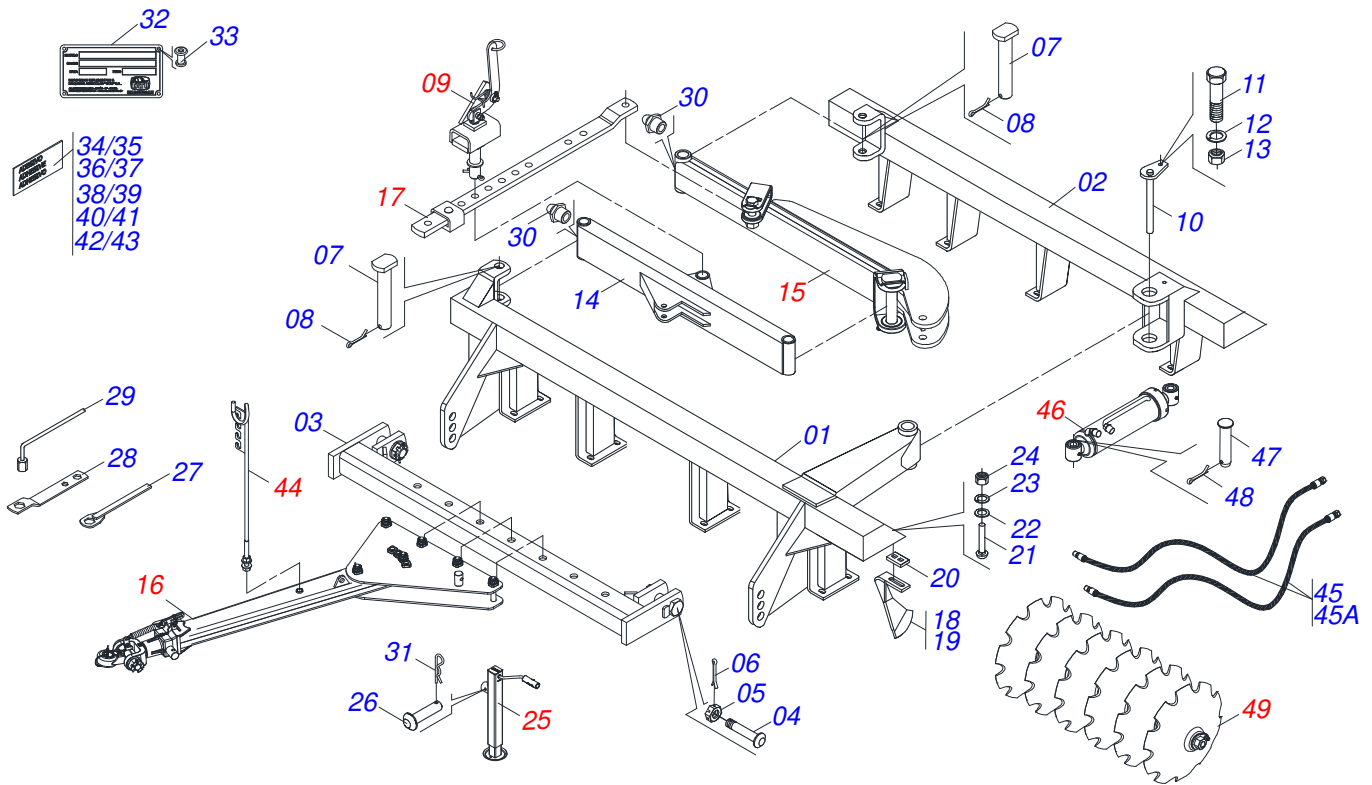
INDEX

0909095655	ASSY FRAME 12/16D	1
0909095656	ASSY FRAME 18/20/24D	2
0501040057	ADJUSTMENT ASSY	3
0501041219	REAR STABILIZER BAR ASSY	4
0501041215	DRAWBAR ASSY	5
0501041372	DRAWBAR ASSY	6
0501041859	ADJUSTMENT BAR ASSY	7
0503062157	HEADER JACK	8
0501040257	3/4 X 1200 HOSE HOLDER A	9
0511059185	HYDRAULIC CYLINDER	10
0909095657	GANG DISC 12/16D	11
0909095658	GANG DISC 18/20/24D	12
0501046926	330MM X 2-1/8" RD. OIL BATH BEARING	13



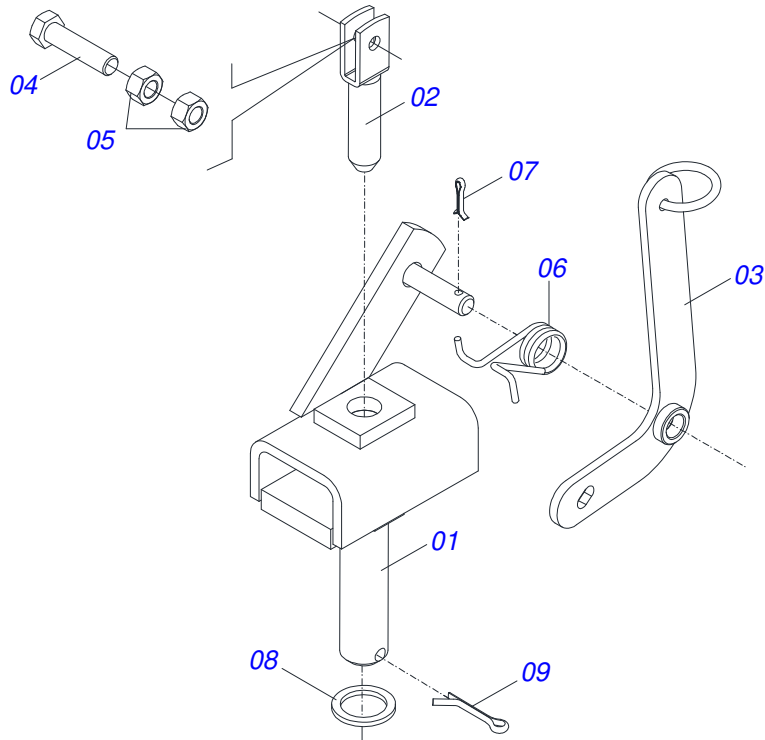
Item	Code	Description	See page	12	16
01	0531060356	FRONT FRAME (2025)		01	00
01.	0531061275	FRONT FRAME (2705)		00	01
02	0531060355	REAR FRAME (2025)		01	00
02.	0531061274	RIGHT REAR FRAME (2705)		00	01
03	0501060315	57.5" OFFSET BAR		01	00
03.	0501060435	43.7" OFFSET BAR		00	01
04	0501016416	1-1/2" X 5.4" BOLT		02	02
05	0501011301	1.1/2 UNC 6FPP 2.5/16 NUT		02	02
06	0503010010	1/4" X 2.1/2" COTTERPIN		02	02
07	0521010644	1.5" X 8.4" COUPLING SHAFT		03	03
08	0503010534	3/8 X 2-1/2 COTTERPIN		03	03
09	0501040057	ADJUSTMENT ASSY	3	01	01
10	0501062185	2.5" X 13.6" COUPLING SHAFT		01	01
11	0501010276	BOLT		01	01
12	0503010012	1" SPRING WASHER		02	02
13	0503014018	1" NUT		02	02
14	0501060428	FRONT STABILIZER BAR		01	01
15	0501041219	REAR STABILIZER BAR ASSY	4	01	01
16	0501041215	DRAWBAR ASSY	5	01	00
16.	0501041372	DRAWBAR ASSY	6	00	01
17	0501041859	ADJUSTMENT BAR ASSY	7	01	01
18	0501060423	FRONT SCRAPER		06	08
19	0501060424	REAR SCRAPER		06	08
20	0501010299	SCRAPER LOCK		12	16
21	0503010233	5/8" X 2-1/2" BOLT		24	32
22	0501012140	FLAT WASHER		24	32
23	0503010027	5/8" SPRING WASHER		24	32
24	0503010013	5/8" NUT		24	32
25	0503062157	HEADER JACK	8	01	01
26	0521010549	COUPLING SHAFT		01	01
27	0501061044	2-1/8" AND 2-1/2" CABLE FLAT WRENCH		02	02

Item	Code	Description	See page	12	16
28	0511018451	5/8" X 3/4" X 1" UNIVERSAL		01	01
29	0501061045	1" WRENCH CYLINDRICAL		01	01
30	0503010002	1800 GREASE FITTING		01	01
31	0503030168	HAIR PIN		02	02
32	0503034004	ALUMINUM IDENTIFICATION LABEL		01	01
33	0503010001	3.2 X 5.5 RIVET		04	04
34	0503034675	ADHESIVE		01	01
35	0503034355	EMBLEM		01	01
36	0503034438	ADHESIVE LABEL		01	01
37	0503033038	DANGER SIGN		01	01
38	0503031827	LUBRICATE AND RETIGHTEN DAILY DECAL		01	01
39	0503033647	APPROVED BADGE		01	01
40	0503034652	ADHESIVE LABEL		01	01
41	0503031428	READ MANUAL DECAL		01	01
42	0503034078	LIFTING POINTS DECAL		02	02
43	0503031739	ADHESIVE LABEL		01	01
44	0501040257	3/4 X 1200 HOSE HOLDER A	9	01	01
45	0501051042	HOSE ASSY		01	01
45A	0501080001	1/2" X 177" TR-TM HOSE ASSY		02	02
46	0511059185	HYDRAULIC CYLINDER	10	01	01
47	0521010581	0.9" X 4.9" COUPLING SHAFT		02	02
48	0503010571	1/4" X 1.1/2 COTTERPIN		02	02
49	0909095657	GANG DISC 12/16D	11	12	16

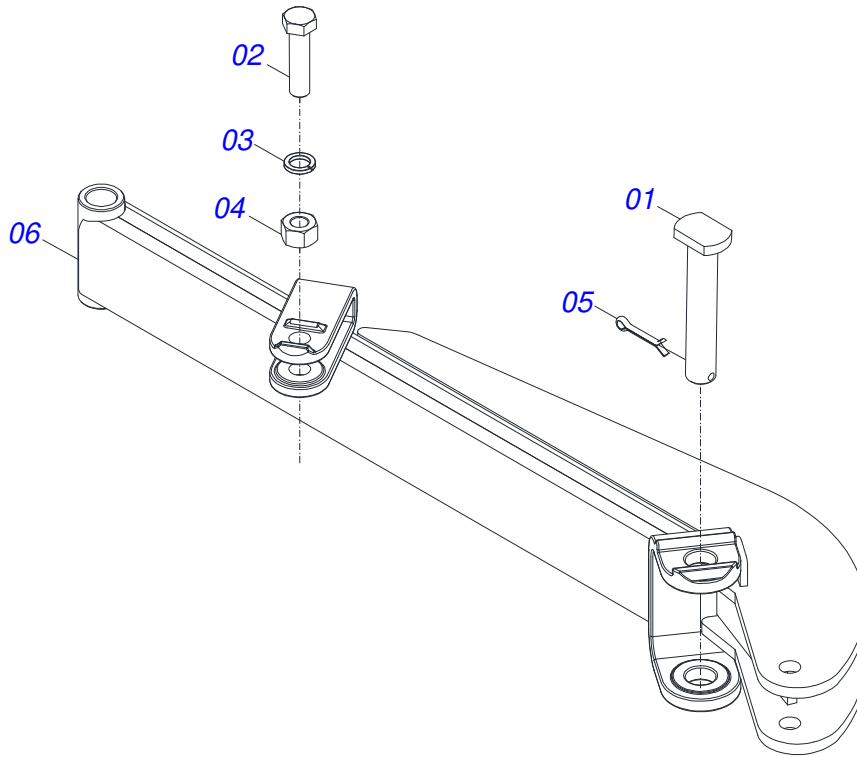


Item	Code	Description	See page	18	20	24
01	0521069909	FRONT FRAME		01	00	00
01.	0521068671	FRONT FRAME		00	01	00
01..	0531061811	FRONT FRAME		00	00	01
02	0521069910	REAR FRAME		01	00	00
02.	0521068672	REAR FRAME		00	01	00
02..	0531060831	REAR FRAME		00	00	01
03	0501060452	82.1" OFFSET BAR		01	01	01
04	0501016416	1-1/2" X 5.4" BOLT		02	02	02
05	0501011301	1.1/2 UNC 6FPP 2.5/16 NUT		02	02	02
06	0503010010	1/4" X 2.1/2" COTTERPIN		02	02	02
07	0521010644	1.5" X 8.4" COUPLING SHAFT		03	03	03
08	0503010534	3/8 X 2-1/2 COTTERPIN		03	03	03
09	0501040057	ADJUSTMENT ASSY	3	01	01	01
10	0501062185	2.5" X 13.6" COUPLING SHAFT		01	01	01
11	0501010276	BOLT		01	01	01
12	0503010012	1" SPRING WASHER		02	02	02
13	0503014018	1" NUT		02	02	02
14	0501060448	FRONT STABILIZER BAR		01	01	01
15	0501041229	REAR STABILIZER BAR ASSY		01	01	01
16	0501041372	DRAWBAR ASSY	6	01	01	01
17	0501041216	ADJUSTMENT BAR ASSY		01	01	01
18	0501060423	FRONT SCRAPER		09	10	12
19	0501060424	REAR SCRAPER		09	10	12
20	0501010299	SCRAPER LOCK		18	20	24
21	0503010233	5/8" X 2-1/2" BOLT		36	40	48
22	0501012140	FLAT WASHER		36	40	48
23	0503010027	5/8" SPRING WASHER		36	40	48
24	0503010013	5/8" NUT		36	40	48
25	0503062157	HEADER JACK	8	01	01	01
26	0521010549	COUPLING SHAFT		01	01	01
27	0501061044	2-1/8" AND 2-1/2" CABLE FLAT WRENCH		02	02	02

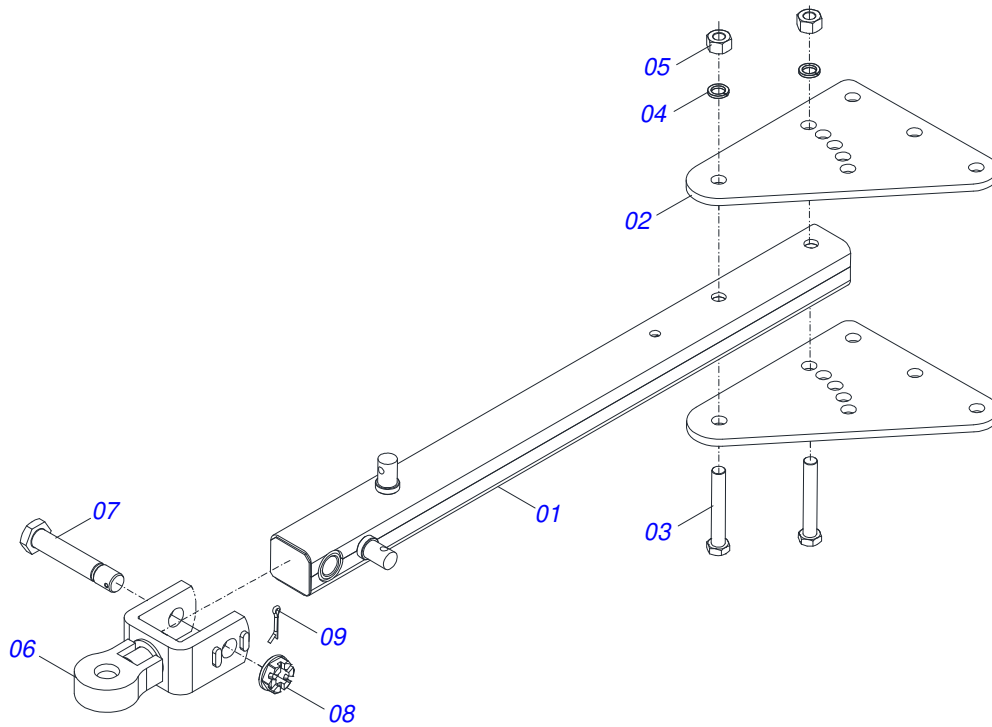
Item	Code	Description	See page	18	20	24
28	0511018451	5/8" X 3/4" X 1" UNIVERSAL		01	01	01
29	0501061045	1" WRENCH CYLINDRICAL		01	01	01
30	0503010002	1800 GREASE FITTING		01	01	01
31	0503030168	HAIR PIN		02	02	02
32	0503034004	ALUMINUM IDENTIFICATION LABEL		01	01	01
33	0503010001	3.2 X 5.5 RIVET		04	04	04
34	0503034675	ADHESIVE		01	01	01
35	0503034355	EMBLEM		01	01	01
36	0503034438	ADHESIVE LABEL		01	01	01
37	0503033038	DANGER SIGN		01	01	01
38	0503031827	LUBRICATE AND RETIGHTEN DAILY DECAL		01	01	01
39	0503033647	APPROVED BADGE		01	01	01
40	0503034652	ADHESIVE LABEL		01	01	01
41	0503031428	READ MANUAL DECAL		01	01	01
42	0503034078	LIFTING POINTS DECAL		02	02	02
43	0503031739	ADHESIVE LABEL		01	01	01
44	0501040257	3/4 X 1200 HOSE HOLDER A	9	01	01	01
45	0501051042	HOSE ASSY		01	01	01
45A	0501080001	1/2" X 177" TR-TM HOSE ASSY		02	02	02
46	0511059185	HYDRAULIC CYLINDER	10	01	01	01
47	0521010581	0.9" X 4.9" COUPLING SHAFT		02	02	02
48	0503010571	1/4" X 1.1/2 COTTERPIN		02	02	02
49	0909095658	GANG DISC 18/20/24D	12	01	01	01



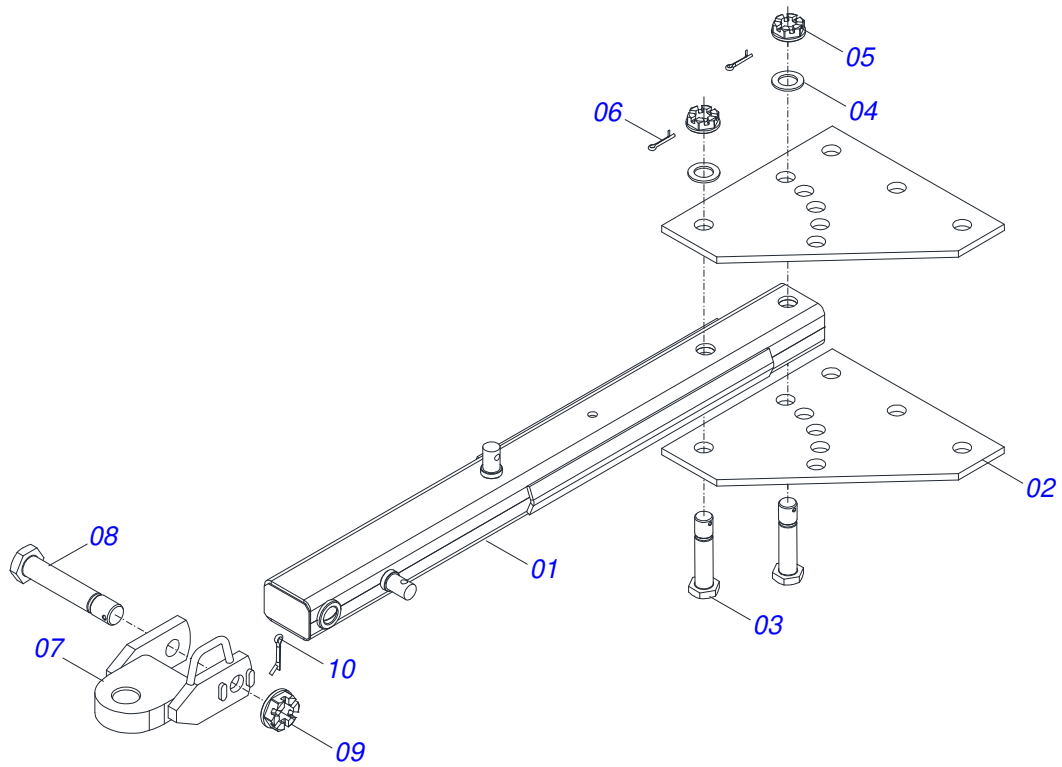
Item	Code	Description	See page	QT
001	0501060314	REGISTO BOX		01
002	0501060185	ADJUSTMENT LOCK		01
003	0501068981	ADJUSTMENT LEVER		01
004	0501010077	1/2" X 2" BOLT		01
005	0503010060	1/2" NUT		02
006	0503030025	1.4" X 0.2" TORSION SPRING		01
007	0503010071	3/16" X 1" COTTERPIN		01
008	0501010237	FLAT WASHER		01
009	0503010010	1/4" X 2.1/2" COTTERPIN		01



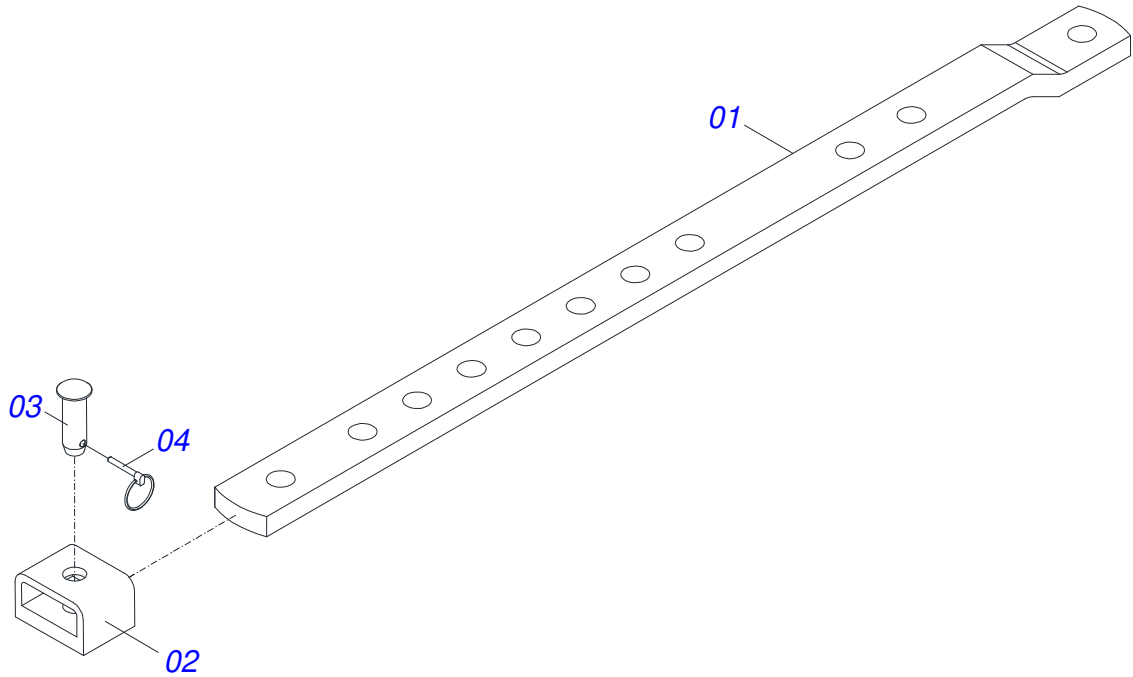
Item	Code	Description	See page	QT
001	0521010644	1.5" X 8.4" COUPLING SHAFT		01
002	0503011432	BOLT		01
003	0503011438	SPRING WASHER		01
004	0501010059	1.5/8 NUT		01
005	0503010534	3/8 X 2-1/2 COTTERPIN		01
006	0501060433	REAR STABILIZER BAR		01



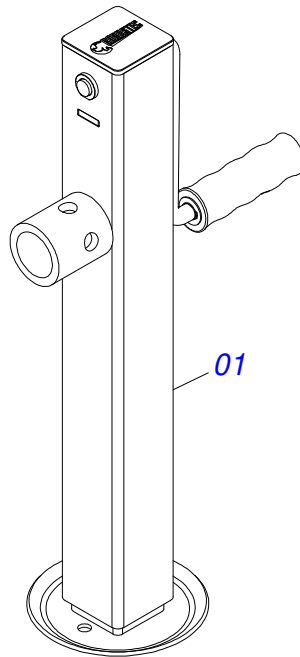
Item	Code	Description	See page	QT
001	0501066715	DRAWBAR ASSY		01
002	0511013000	UPPER /LOWER PLATE		02
003	0501010060	1" X 6-1/2" BOLT		05
004	0503011438	SPRING WASHER		05
005	0501010059	1.5/8 NUT		05
006	0501062869	TRACTOR HITCH		01
007	0501017291	1-1/2" X 8.1" BOLT		01
008	0501011301	1.1/2 UNC 6FPP 2.5/16 NUT		01
009	0503010010	1/4" X 2.1/2" COTTERPIN		01



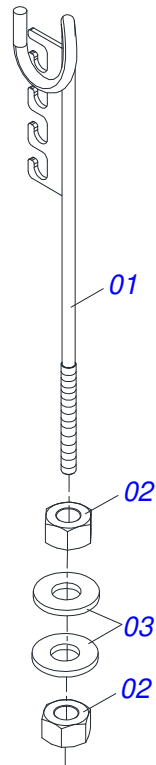
Item	Code	Description	See page	QT
001	0501060299	DRAWBAR ASSY		01
002	0501010272	UPPER/LOWER PLATE		02
003	0501010295	1-1/2" X 6.9" BOLT		05
004	0501012916	FLAT WASHER 38,50 X 66 X 4,75 ZN		05
005	0501011301	1.1/2 UNC 6FPP 2.5/16 NUT		05
006	0503010010	1/4" X 2.1/2" COTTERPIN		05
007	0501060317	TRACTOR HITCH		01
008	0501016415	1-1/2" X 9.6" BOLT		01
009	0501011301	1.1/2 UNC 6FPP 2.5/16 NUT		01
010	0503010010	1/4" X 2.1/2" COTTERPIN		01



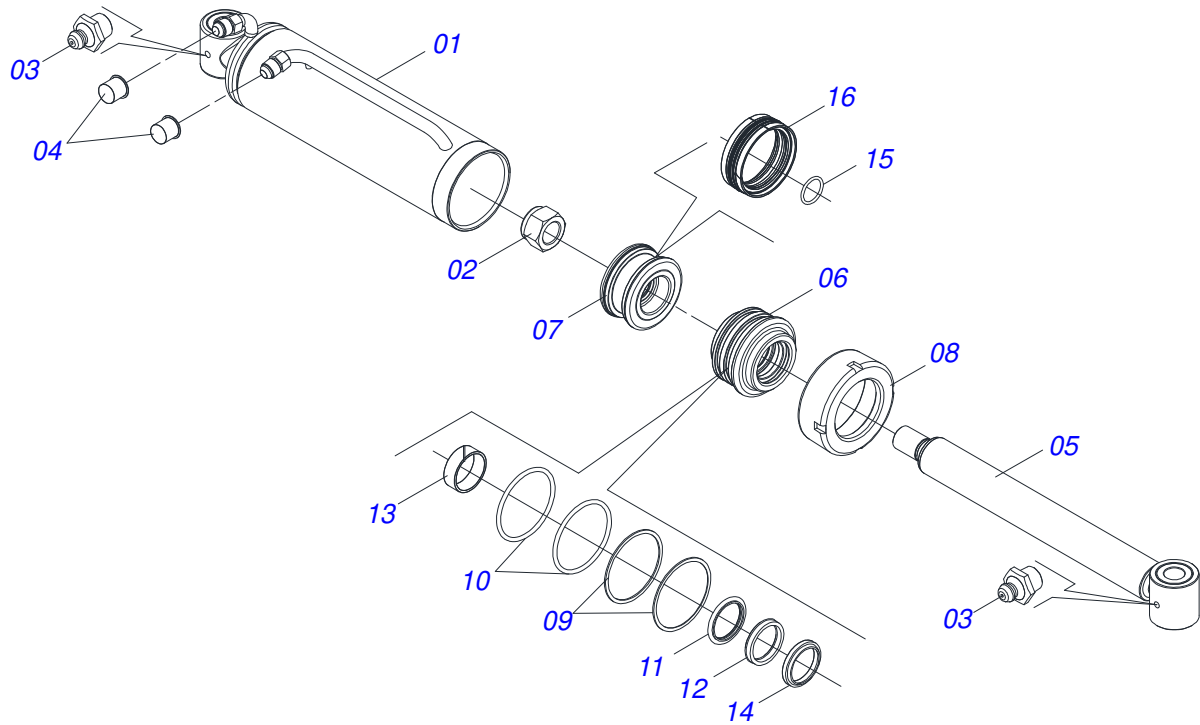
Item	Code	Description	See page	QT
001	0501013208	ADJUSTMENT BAR		01
002	0501060434	BEATER BOX		01
003	0521010572	0.9" X 2.9" COUPLING SHAFT		01
004	0503030085	LOCK PIN		01



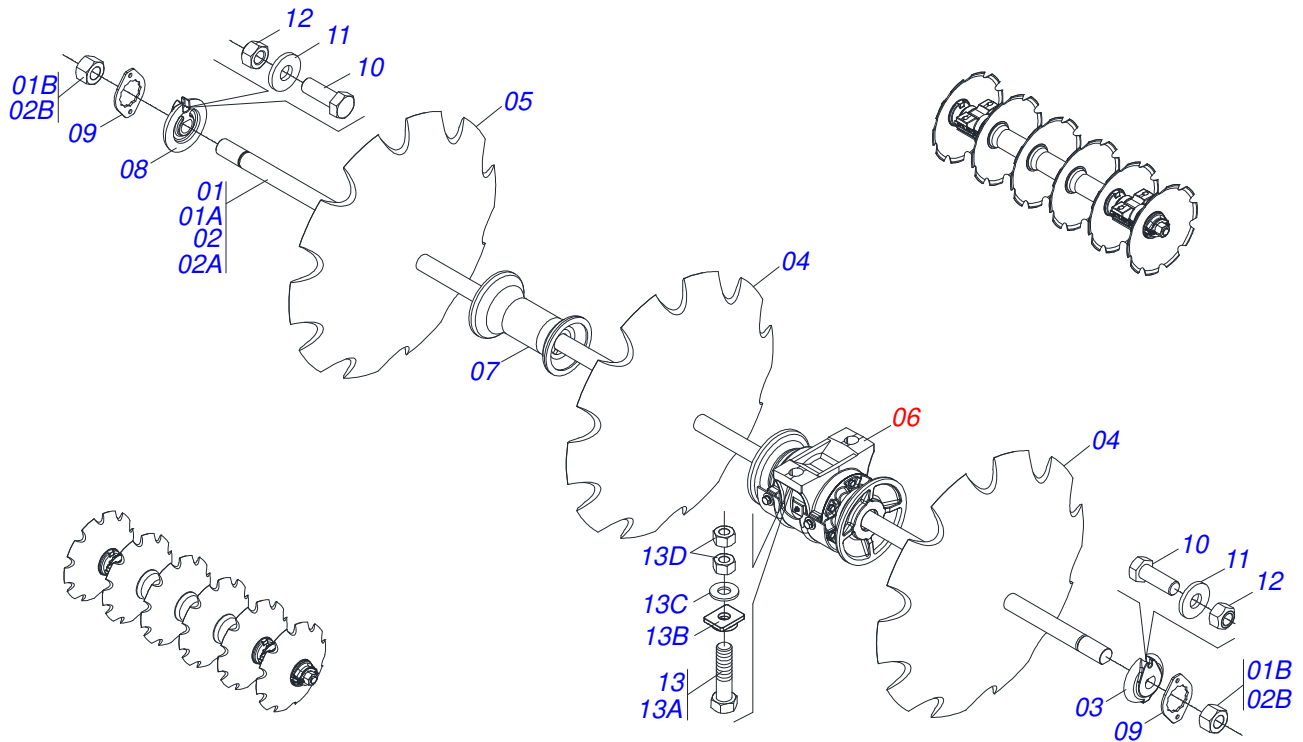
Item	Code	Description	See page	QT
01	0503062157	HEADER JACK	8	01



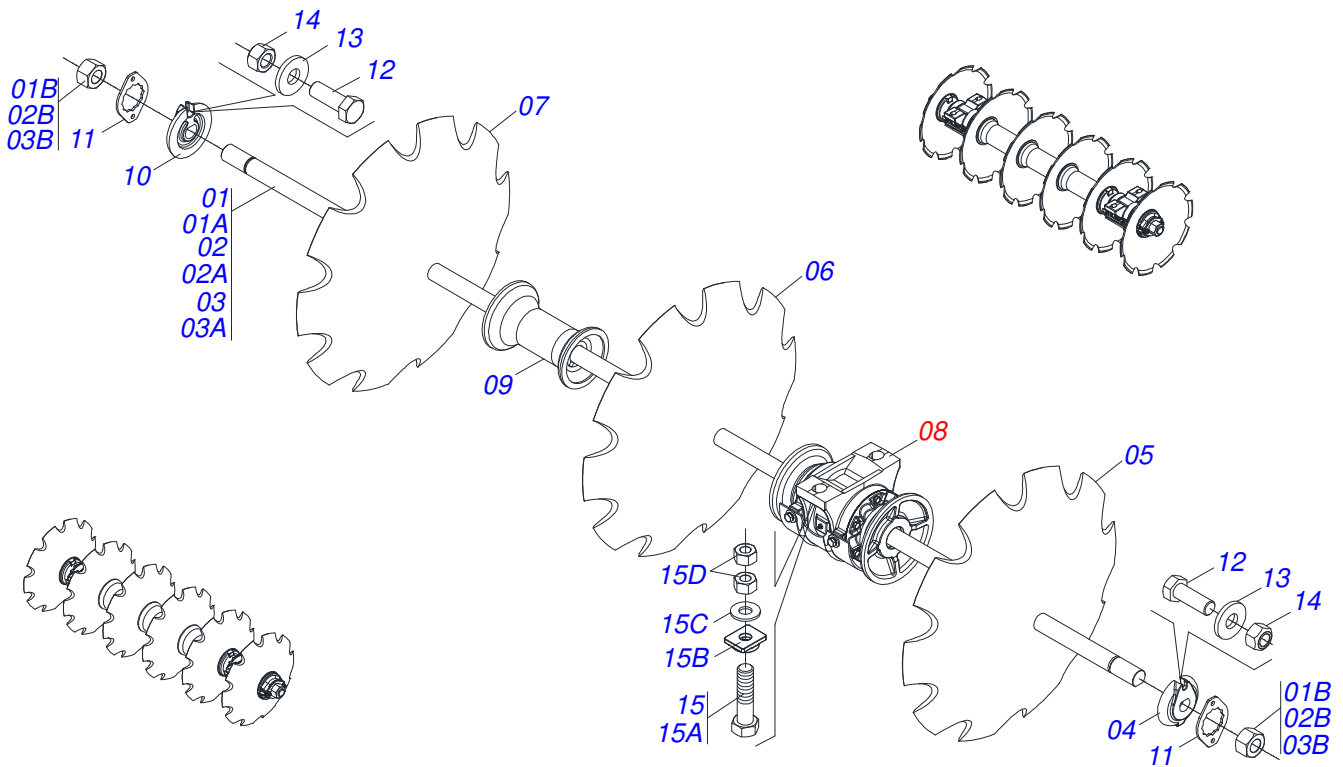
Item	Code	Description	See page	QT
01	0511067334	HOSE SOPPORT ASSY		01
02	0503010014	3/4" NUT		02
03	0501010322	FLAT WASHER		02



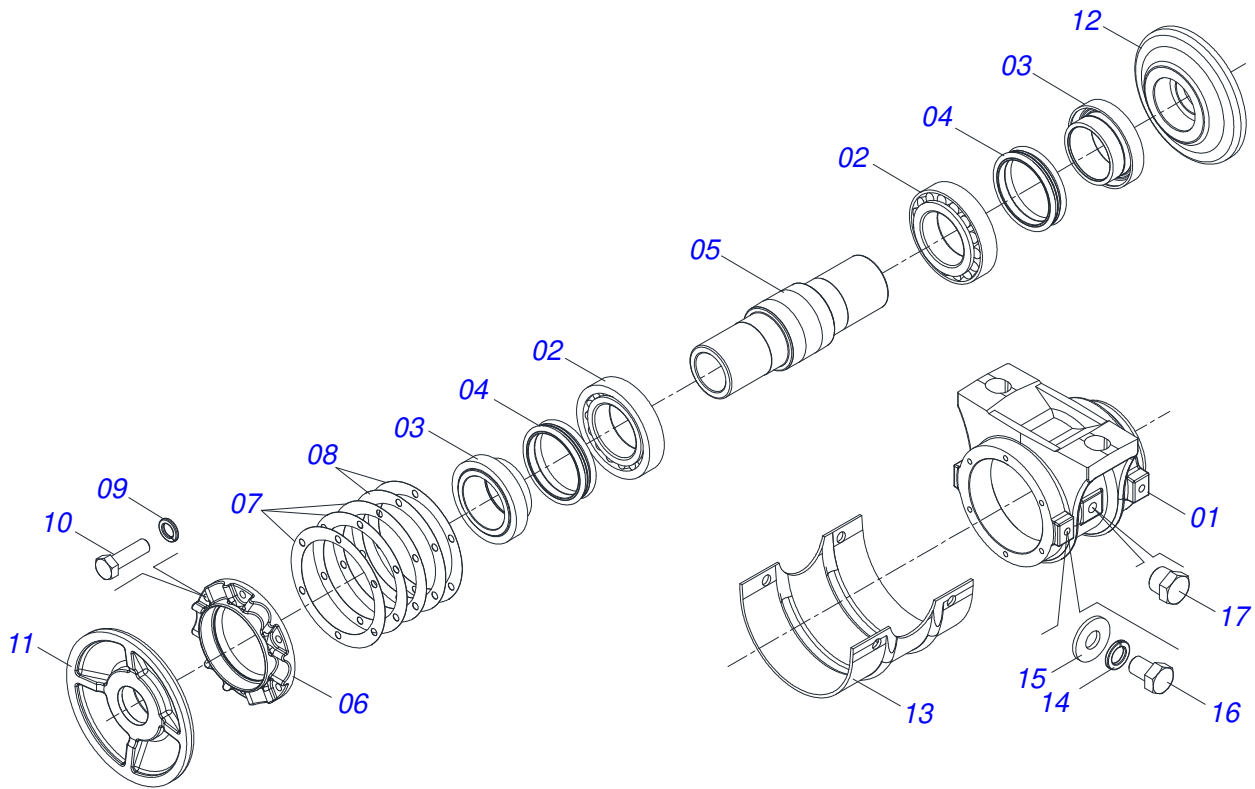
Item	Code	Description	See page	QT
001	0501060462	4" X 10.3" CYLINDER CASE		01
002	0503010817	1.1/4" SELF LOCKING NUT		01
003	0503010002	1800 GREASE FITTING		02
004	0503030387	PLUG		02
005	0521066346	HYDRAULIC CYLINDER TURNBUCKLE		01
006	0502012821	50.80 X 101.60 RING SUPPORT		01
007	0502012820	50.80 X 101.60 PISTON		01
008	0502012822	101.60 END CAP		01
009	0503011061	8-342 BACK-UP RING		02
010	0503010338	2-342 N 3006-9B O'RING		02
011	0503018024	RING BS		01
012	0503018026	1870-2000-375 B GASKET		01
013	0503018025	RING GUIDE		01
014	0503010039	D-2000 SCRAPER RING		01
015	0503018029	2-217 O'RING		01
016	0503015633	SELEMASTER SEALING		01



Item	Code	Description	See page	12	16
01	0511042123	2-1/8" X 76" AXLE WITH NUTS		02	00
01A	0501013759	2-1/8" X 76" AXLE		01	00
01B	0502040063	2.1/8" X 54 99 NUT		02	00
02	0501041515	2-1/8" X 102" AXLE WITH NUTS		00	02
02A	0501013761	2-1/8" X 102" AXLE		00	01
02B	0502040063	2.1/8" X 54 99 NUT		00	02
03	0502010594	2-1/8" EXTERNAL AXLE WASHER		02	02
04	0602044003	32" X 0.5" NOTCHED DISC BLADE		12	00
05	0602044001	32" X 0.3" NOTCHED DISC BLADE		16	00
06	0501046926	330MM X 2-1/8" RD. OIL BATH BEARING	13	04	06
07	0502010643	13" 2-1/8" SPACER		06	08
08	0502010595	2-1/8" INNER AXLE WASHER		02	02
09	0541010368	NUT LOCK		04	04
10	0503010233	5/8" X 2-1/2" BOLT		24	32
11	0501012140	FLAT WASHER		24	32
12	0503010013	5/8" NUT		24	32
13	0501042139	1" X 4.3" ASSY BOLT		08	12
13A	0501011547	1" X 4-1/2" BOLT		08	12
13B	0502012861	1" SQUARE WASHER		08	12
13C	0541010210	FLAT WASHER		08	12
13D	0501010059	1.5/8 NUT		16	24



Item	Code	Description	See page	18	20	24
01	0501041516	2-1/8" X 49" AXLE WITH NUTS		02	00	00
01A	0501013757	2-1/8" X 49" AXLE		01	00	00
01B	0502040063	2.1/8" X 54 99 NUT		02	00	00
02	0511047064	2-1/8" X 1580 AXLE		02	04	00
02A	0551017147	2-1/8" X 1580 AXLE		01	01	00
02B	0502040063	2.1/8" X 54 99 NUT		02	02	00
03	0511042123	2-1/8" X 76" AXLE WITH NUTS		00	00	04
03A	0501013759	2-1/8" X 76" AXLE		00	00	01
03B	0502040063	2.1/8" X 54 99 NUT		00	00	02
04	0502010594	2-1/8" EXTERNAL AXLE WASHER		04	04	04
05	0602046013	34" X 0.3" NOTCHED DISC BLADE		18	00	00
06	0602044003	32" X 0.5" NOTCHED DISC BLADE		00	20	00
07	0602044001	32" X 0.3" NOTCHED DISC BLADE		00	00	24
08	0501046926	330MM X 2-1/8" RD. OIL BATH BEARING	13	04	04	04
09	0502010643	13" 2-1/8" SPACER		06	08	12
10	0502010595	2-1/8" INNER AXLE WASHER		04	04	04
11	0541010368	NUT LOCK		04	04	04
12	0503010233	5/8" X 2-1/2" BOLT		36	40	48
13	0501012140	FLAT WASHER		36	40	48
14	0503010013	5/8" NUT		36	40	48
15	0501042139	1" X 4.3" ASSY BOLT		16	16	16
15A	0501011547	1" X 4-1/2" BOLT		16	16	16
15B	0502012861	1" SQUARE WASHER		16	16	16
15C	0541010210	FLAT WASHER		16	16	16
15D	0501010059	1.5/8 NUT		32	32	32



Item	Code	Description	See page	QT
001	0502010742	HOUSING DM		01
002	0503010117	32216 ROLLER BEARING		02
003	0502040123	SEAL RETAINER		02
004	0503030028	JB-257 SEAL		02
005	0502040034	BEARING AXLE		01
006	0502010645	HOUSING CAP DM		01
007	0503030536	7.1" X 5.5" X 0.01" JOINT		03
008	0503030686	7.1" X 5.5" X 0.004" JOINT		02
009	0503011443	3/8" SPRING WASHER		06
010	0503010751	C3/8" X 1.1/4" HEX BOLT G.5		06
011	0502040260	OUTER FLANGE		01
012	0502040261	INNER FLANGE		01
013	0511013169	PROTECTION COVER BEARING		01
014	0503010019	1/2" SPRING WASHER		04
015	0511017302	FLAT WASHER		04
016	0503011401	1/2" X 3/4" BOLT		04
017	0503010856	OIL PLUG		02



CIVEMASA

www.civemasa.com.br



Technical Publications | Elaboration and Revision
LORENA ROCHA ALVES