

PARTS CATALOGUE

DISK HARROWS

Code:

0501092916

Product:

GPCM HD 9017



Series:

S-0115

Revision:

00

Revision Date:


FEVEREIRO/2021

PRODUCTS

Code	Description
0121710001	GPCM HD 9017 16 X 36 X 12 DM DR S-0115
0121710004	GPCM HD 9017 16 X 38 X 12 DM DR S-0115

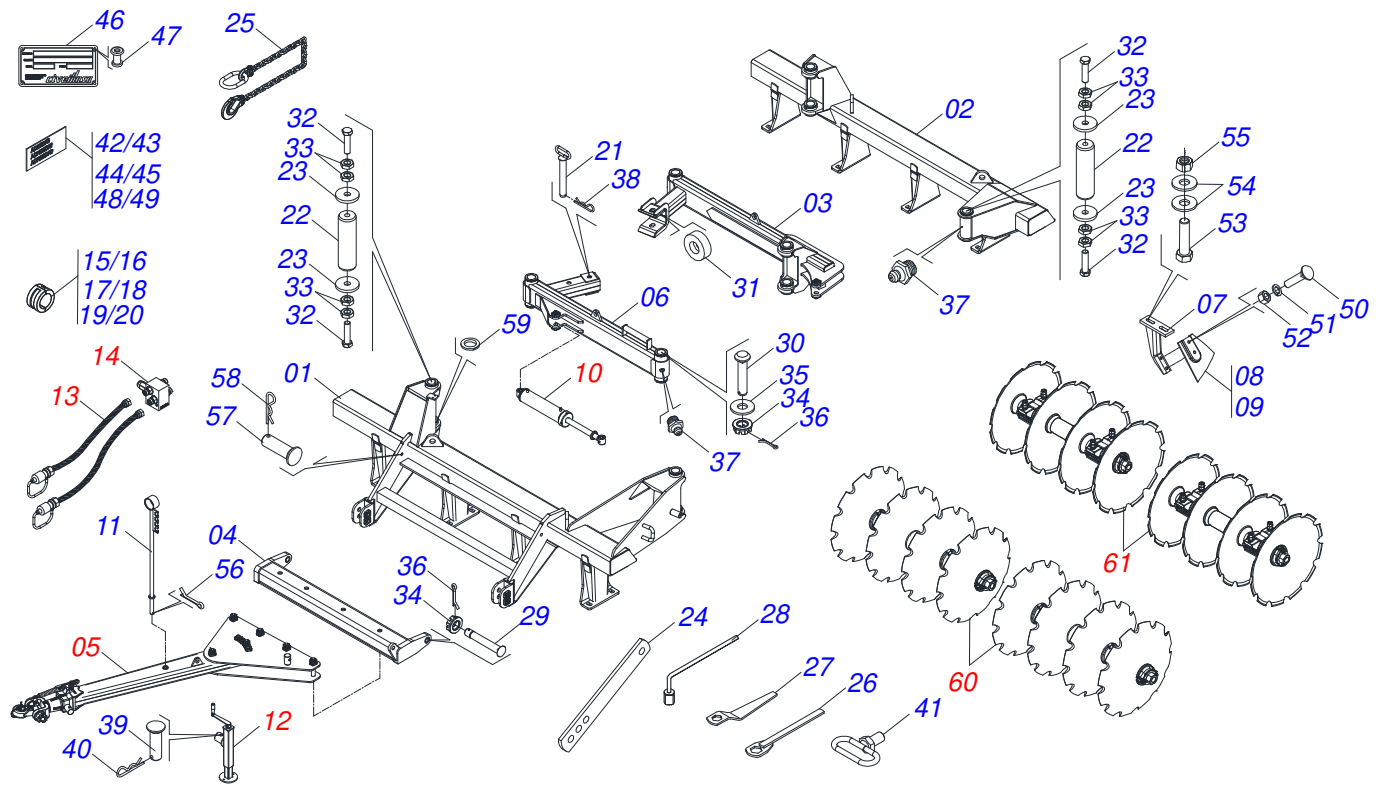
ATTENTION: IMPORTANT

Civemasa reserves the right to improve and / or modify the technical features of its products, without obligation to do the same with those products already sold and without prior knowledge of the dealer or the consumer.



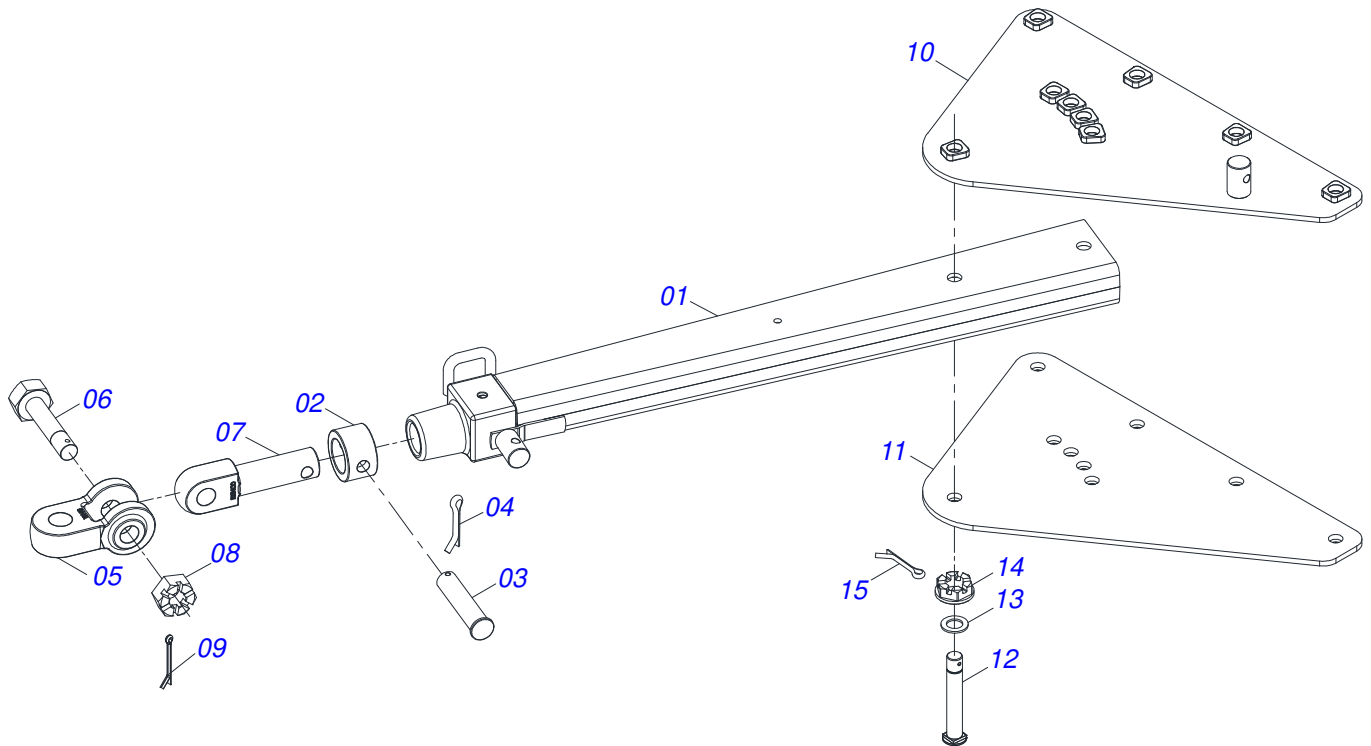
INDEX

0909095604	GPCM HD 9017 - 16D	1
0511041592	DRAWBAR ASSY	2
0511044812	63.5 X 150 X 950 X 55 HYDRAULIC CYLINDER	3
0511048088	DRAWBAR JACK	4
0501055696	DISCHARGE VALVE OFS ASSY	5
0909095605	FRONT GANG DISC 16D	6
0909095606	REAR GANG DISC 16D	7
0521041291	OIL 430 X 2.1/2 BEARING ASSY	8
0909095607	HOSE SET	9
0501053834	MALE QUICK COUPLER WITH CAP - 1/2 NPT	10

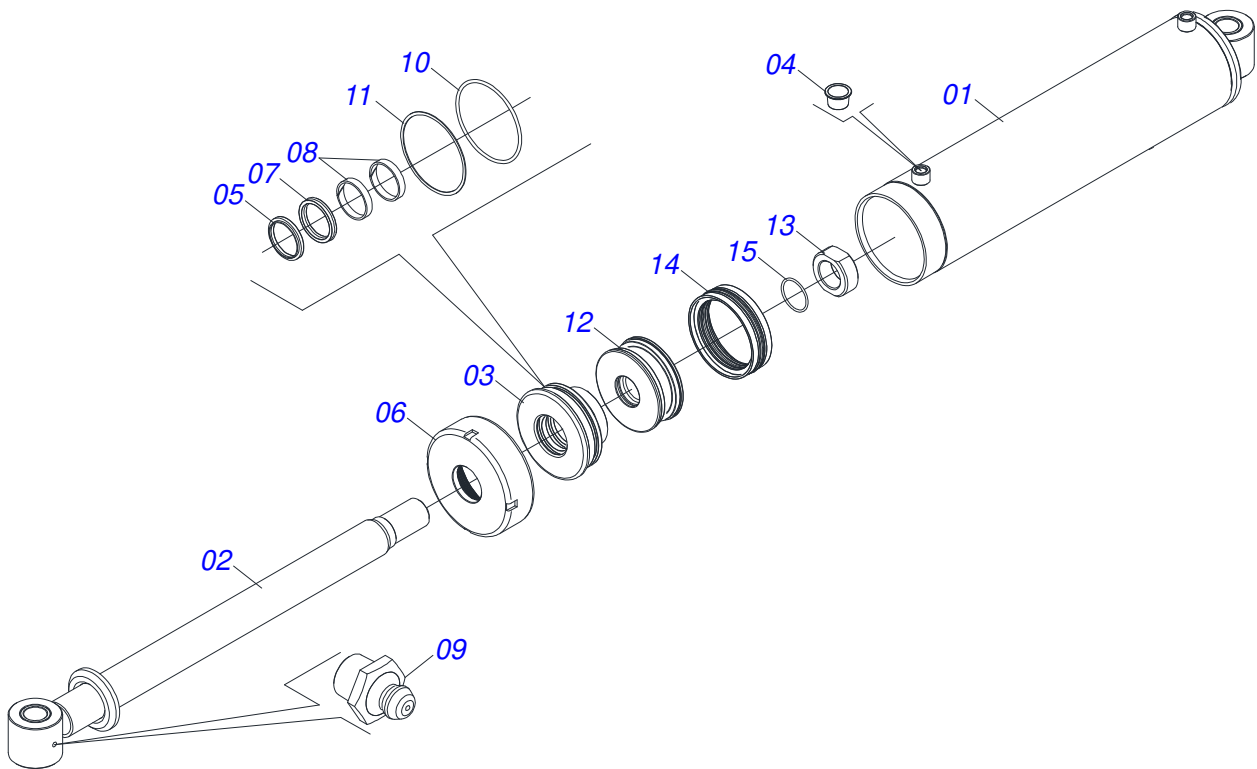


Item	Code	Description	See page	QT
01	0521065813	FRONT FRAME 16D		01
02	0521065814	REAR FRAME 16D		01
03	0511044487	REAR STABILIZER BAR		01
04	0521066789	HITCH BAR		01
05	0511041592	DRAWBAR ASSY	2	01
06	0511067182	FRONT STABILIZER BAR		01
07	0511064771	FRONT SCRAPER SUPPORT		16
08	0521013678	FRONT CLEANER		08
09	0521013679	REAR CLEANER		08
10	0511044812	63.5 X 150 X 950 X 55 HYDRAULIC CYLINDER	3	01
11	0521062849	HOSE HOLDER ASSY		01
12	0511048088	DRAWBAR JACK	4	01
13	0909095607	HOSE SET	9	01
14	0501055696	DISCHARGE VALVE OFS ASSY	5	01
15	0511042161	2.1/2" ROD STOP ASSY		01
16	0511042162	2.1/2" ROD STOP ASSY		01
17	0511042163	2.1/2" ROD STOP ASSY		01
18	0511042164	2.1/2" ROD STOP ASSY		01
19	0511042165	2.1/2" ROD STOP ASSY		01
20	0511042166	2.1/2" ROD STOP ASSY		01
21	0501069350	230 PIVOT SHAFT WITH PULL		01
22	0541011899	2.9" X 20" COUPLING SHAFT		04
23	0511013244	FLAT WASHER		08
24	0541011205	DRAWBAR LOCK SAFETY		02
25	0503013150	1300 X 3/8 CHAIN		01
26	0501061044	2-1/8" AND 2-1/2" CABLE FLAT WRENCH		01
27	0501011432	1-1/2" AND 1-5/8 GANG BOLT WRENCH		01
28	0503016137	1-1/4" WRENCH CABLE CYLINDER		01
29	0531018099	37,50 X 190 COUPLING SHAFT		02
30	0531018100	37,50 X 200 COUPLING SHAFT		02
31	0521011481	FRAME BATTERY		01

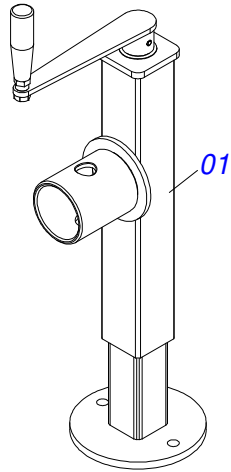
Item	Code	Description	See page	QT
32	0503012660	1" X 4" BOLT		08
33	0503013635	1" NUT		16
34	0501011301	1.1/2 UNC 6FPP 2.5/16 NUT		04
35	0521011721	1.6" X 3.94" X 0.12" WASHER		02
36	0503010010	1/4" X 2.1/2" COTTERPIN		04
37	0503010002	1800 GREASE FITTING		14
38	0503031035	HAIR PIN		02
39	0561014251	COUPLING SHAFT		01
40	0503030012	HAIR PIN		01
41	0501069343	WRENCH FIXER		01
42	0503031738	ADHESIVE LABEL		01
43	0503031840	ADHESIVE LABEL CARE		02
44	0503034117	BADGE GPCM HD 9017		02
45	0503033647	APPROVED BADGE		02
46	0503034004	ALUMINUM IDENTIFICATION LABEL		01
47	0503010001	3.2 X 5.5 RIVET		04
48	0503031739	ADHESIVE LABEL		01
49	0503033241	CIVEMASA 100 X 400 BADGE		01
50	0503012195	5/8" NUT		32
51	0503010027	5/8" SPRING WASHER		32
52	0503010013	5/8" NUT		32
53	0501010500	3/4"X3"BOLT		32
54	0541010763	FLAT WASHER		32
55	0503010014	3/4" NUT		32
56	0503010523	1/4" X 2" COTTERPIN		01
57	0521010573	0.9" X 3.1" COUPLING SHAFT		02
58	0503030285	HAIR PIN		02
59	0541011534	FLAT WASHER		04
60	0909095605	FRONT GANG DISC 16D	6	01
61	0909095606	REAR GANG DISC 16D	7	01



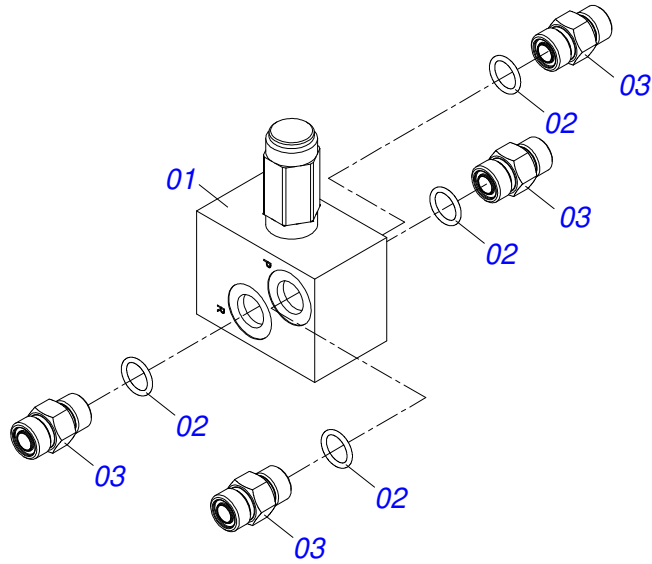
Item	Code	Description	See page	QT
01	0511064669	DRAWBAR ASSY		01
02	0502040263	ANEL TRAVA ENGATE		01
03	0561017306	COUPLING SHAFT		01
04	0503010523	1/4" X 2" COTTERPIN		01
05	0502040293	YH-90 CLEVIS		01
06	0511067199	2" BOLT		01
07	0502040264	DRAWBOLT		01
08	0502040558	2" CASTLE NUT		01
09	0503010074	3/8 X 0,15" COTTERPIN		01
10	0511064659	UPPER PLATE		01
11	0511064658	LOWER PLATE		01
12	0521011880	37,5 X 242 COUPLING SHAFT		06
13	0501012916	FLAT WASHER 38,50 X 66 X 4,75 ZN		06
14	0501011301	1.1/2 UNC 6FPP 2.5/16 NUT		06
15	0503010010	1/4" X 2.1/2" COTTERPIN		06



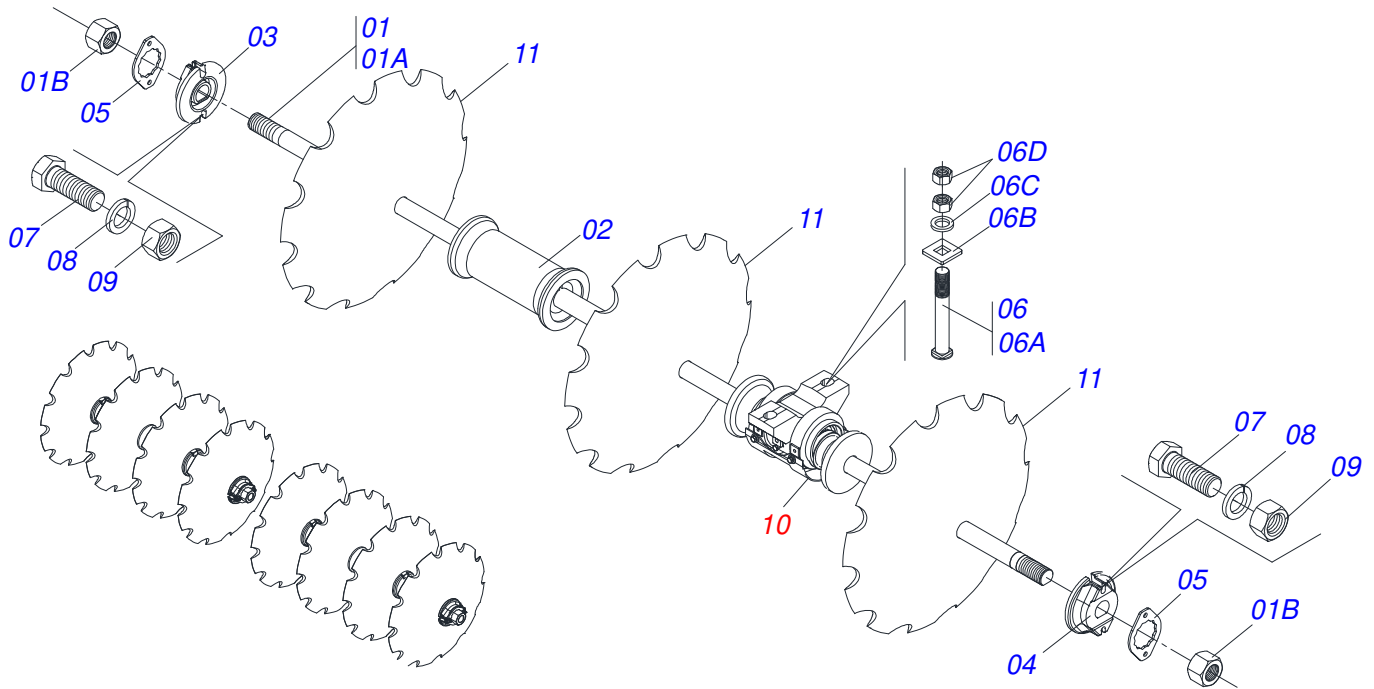
Item	Code	Description	See page	QT
01	0511067335	150 X 710 CYLINDER CASE		01
02	0521069121	TURNBUCKLE		01
03	0581018237	RING SUPPORT 63.50 X 150 X 80		01
04	0503030384	CON PLUG N-001		02
05	0503010287	D-2500 SCRAPER RING		01
06	0541010615	6" END CAP		01
07	0503014960	GASKET		01
08	0503010971	W2-2750-500 PK RING G.I		02
09	0503010002	1800 GREASE FITTING		02
10	0503010704	2-357 N 3006-9B O'RING		01
11	0503019286	BACK-UP RING 8-357		01
12	0581018236	PISTON 150 X 57 GASPM EHD 16		01
13	0581018235	10 X 30 NUT		01
14	0503015912	SELEMASTER SEALING		01
15	0503019098	O' RING 2-227 N 3006-90B		01



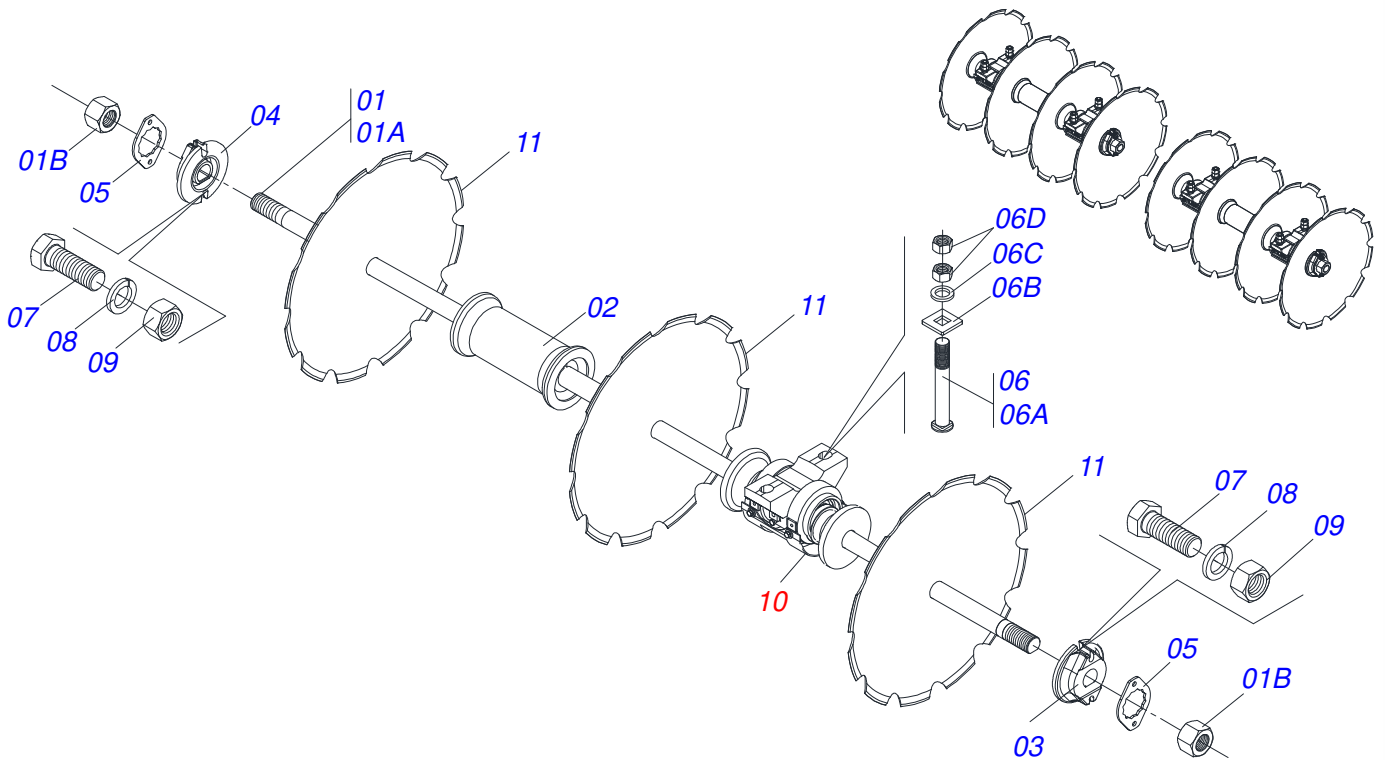
Item	Code	Description	See page	QT
01	0503062227	DRAWBAR JACK		01



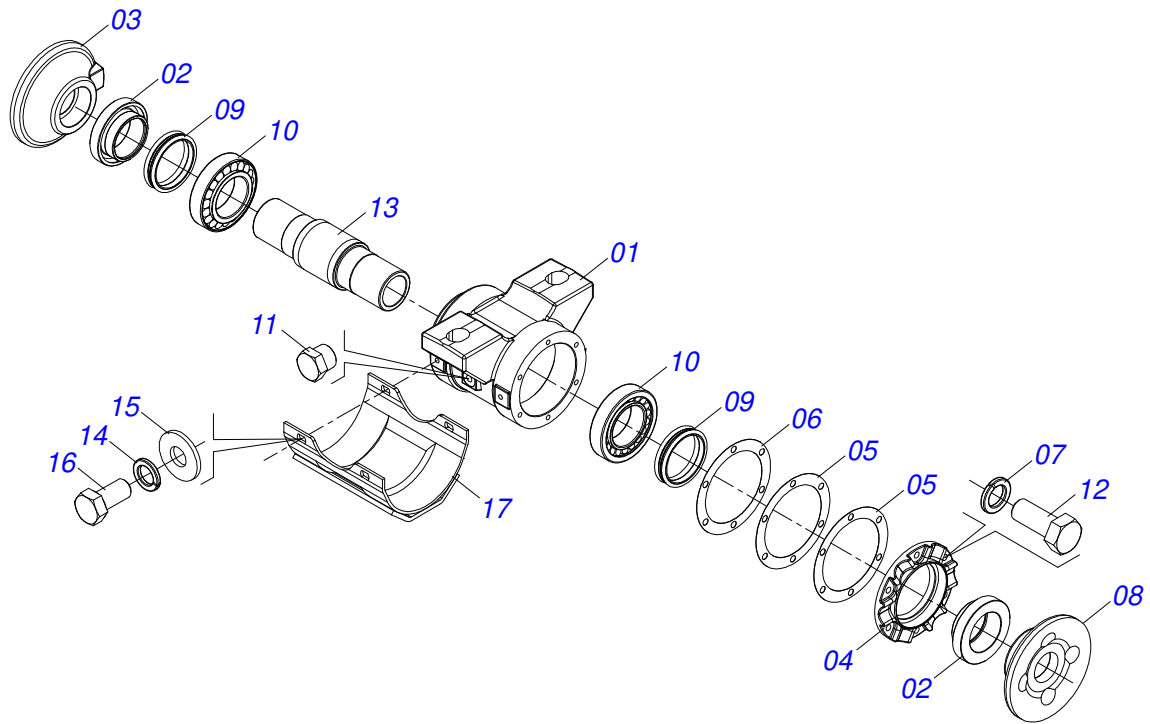
Item	Code	Description	See page	QT
01	0503010919	DISCHARGE VALVE		01
02	0503010190	2-114 N 3006-9B O'RING		04
03	0503030923	3/4" UNF X 13/16UN OFS X 40 NIPPLE		04



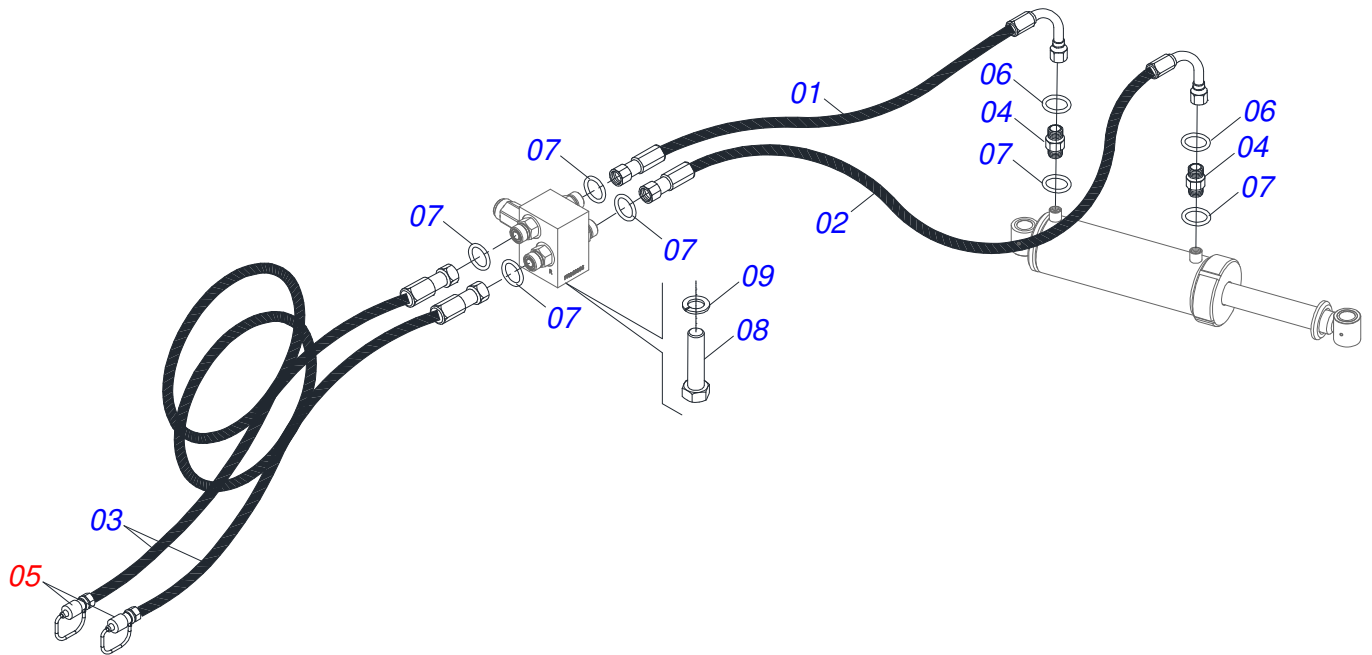
Item	Code	Description	See page	QT
01	0501040693	2-1/2" X 63" AXLE WITH NUTS		02
01A	0501010358	2-1/2" X 63" AXLE		01
01B	0502040064	2.1/2"SNC X 70 99 NUT		02
02	0502012220	2-1/2" X 17" SPACER		02
03	0502010592	2-1/2" INNER AXLE WASHER		02
04	0502010593	2-1/2" EXTERNAL AXLE WASHER		02
05	0541010368	NUT LOCK		04
06	0501041301	1-1/4"X 5-3/4" ASSY BOLT		08
06A	0501010954	1-1/4" X 5-3/4" BOLT		01
06B	0501010953	1-1/4" SQUARE WASHER		01
06C	0531010713	FLAT WASHER		01
06D	0501010087	1.1/4" NUT		02
07	0503010232	5/8" X 1.3/4" BOLT		08
08	0501012140	FLAT WASHER		08
09	0503012412	5/8 UNC SELF LOCKING NUT		08
10	0521041291	OIL 430 X 2.1/2 BEARING ASSY	8	04
11	0602048051	36" X 12MM NOTCHED DISC BLADE		08



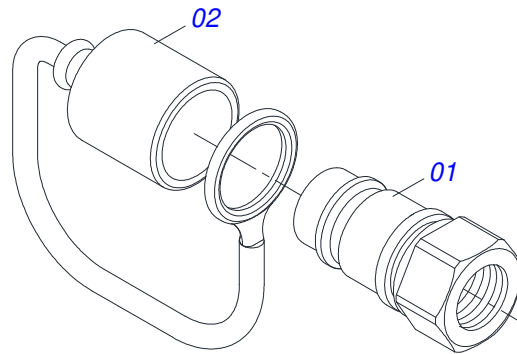
Item	Code	Description	See page	QT
01	0501040693	2-1/2" X 63" AXLE WITH NUTS		02
01A	0501010358	2-1/2" X 63" AXLE		01
01B	0502040064	2.1/2"SNC X 70 99 NUT		02
02	0502012220	2-1/2" X 17" SPACER		02
03	0502010592	2-1/2" INNER AXLE WASHER		02
04	0502010593	2-1/2" EXTERNAL AXLE WASHER		02
05	0541010368	NUT LOCK		04
06	0501041301	1-1/4"X 5-3/4" ASSY BOLT		08
06A	0501010954	1-1/4" X 5-3/4" BOLT		01
06B	0501010953	1-1/4" SQUARE WASHER		01
06C	0531010713	FLAT WASHER		01
06D	0501010087	1.1/4" NUT		02
07	0503010232	5/8" X 1.3/4" BOLT		08
08	0501012140	FLAT WASHER		08
09	0503012412	5/8 UNC SELF LOCKING NUT		08
10	0521041291	OIL 430 X 2.1/2 BEARING ASSY	8	04
11	0602048051	36" X 12MM NOTCHED DISC BLADE		08



Item	Code	Description	See page	QT
01	0502012415	HOUSING BEARING		01
02	0502040119	SEAL RETAINER		02
03	0502040165	INNER FLANGE		01
04	0502010644	HOUSING CAP DM		01
05	0503030537	8.3" X 6.3" X 0.01" JOINT		02
06	0503030687	8.3" X 6.3" X 0.004" JOINT		01
07	0503011440	SPRING WASHER		06
08	0502040164	OUTER FLANGE		01
09	0503030029	SEAL # LP JB-259		02
10	0503013243	32218 ROLLER BEARING		02
11	0503010856	OIL PLUG		02
12	0503010920	1/2" X 1.1/2" BOLT		06
13	0502040039	AXLE		01
14	0511017302	FLAT WASHER		04
15	0503010019	1/2" SPRING WASHER		04
16	0503010834	1/2 X 1 BOLT		04
17	0521062889	PROTECTION CAP		01
18	3402301247	MINERAL OIL GREASE		01



Item	Code	Description	See page	QT
01	0501080969	1/2" X 750 TR-TC OFS HOSE		01
02	0501080986	1/2" X 55.12" TR-TC HOSE ASSY		01
03	0501080917	1/2" X 5500 TR-TM HOSE ASSY		02
04	0503030923	3/4" UNF X 13/16UN OFS X 40 NIPPLE		02
05	0501053834	MALE QUICK COUPLER WITH CAP - 1/2 NPT	10	02
06	0503010190	2-114 N 3006-9B O'RING		02
07	0503011030	2-014 N 3006-9B O'RING		06
08	0503010237	3/8" X 1" BOLT		02
09	0503010025	3/8" SPRING WASHER		02



Item	Code	Description	See page	QT
01	0503011627	MALE QUICK COUPLER AGR 1/2 NPT		01
02	0503011882	MALE QUICK COUPLER CAP		01



CIVEMASA

www.civemasa.com.br



Technical Publications | Elaboration and Revision
LORENA ROCHA ALVES