

PARTS CATALOGUE

DISK PLOW

Code:

0501092915

Product:

ARCA 3 - 26/28D



Series:

S-1204

Revision:

00

Revision Date:


FEVEREIRO/2021

PRODUCTS

Code	Description
0120620003	ARCA 3 X 26 X 4,75L PR 61390019 S-1204
0120620002	ARCA 3 X 28 X 6,00 C/PIST 61390029 S-1204

ATTENTION: IMPORTANT

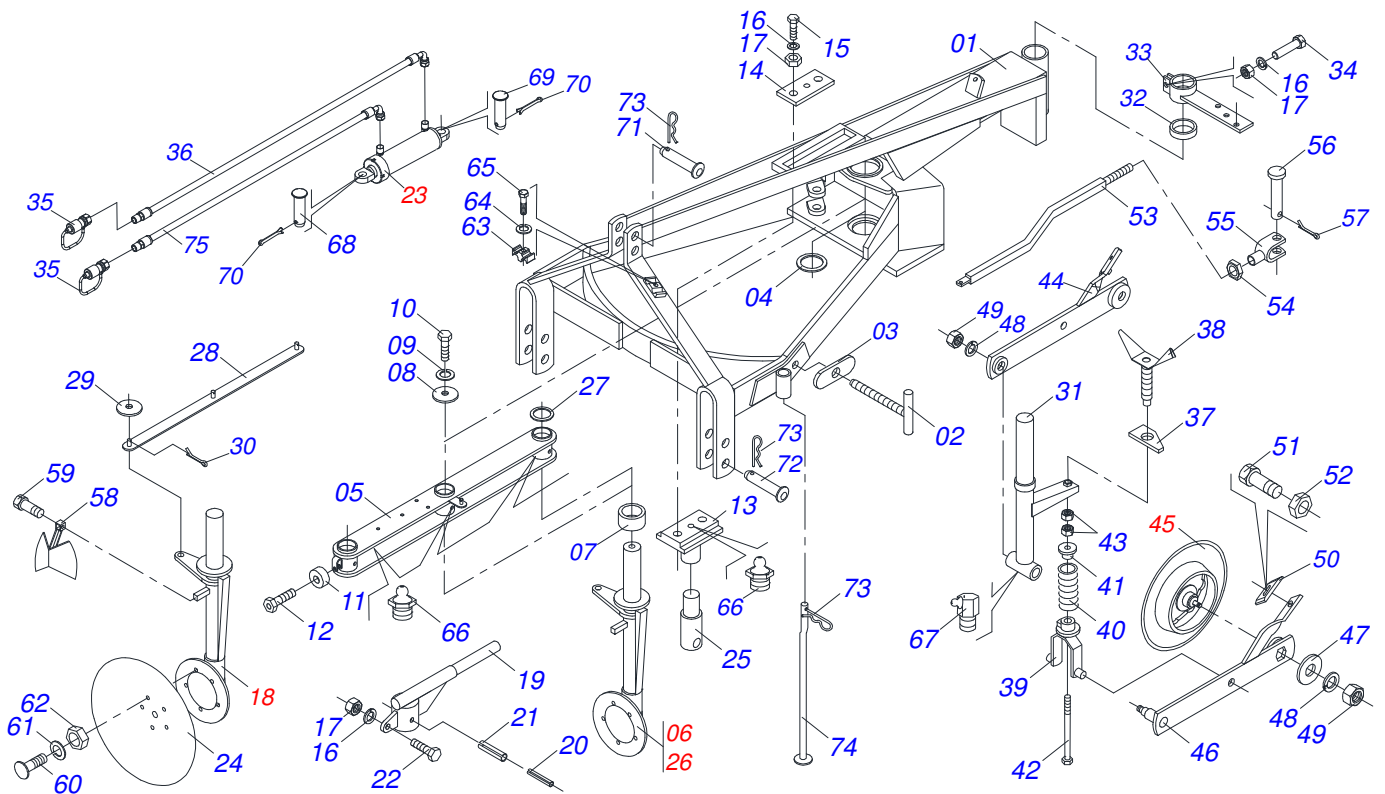
Civemasa reserves the right to improve and / or modify the technical features of its products, without obligation to do the same with those products already sold and without prior knowledge of the dealer or the consumer.





INDEX

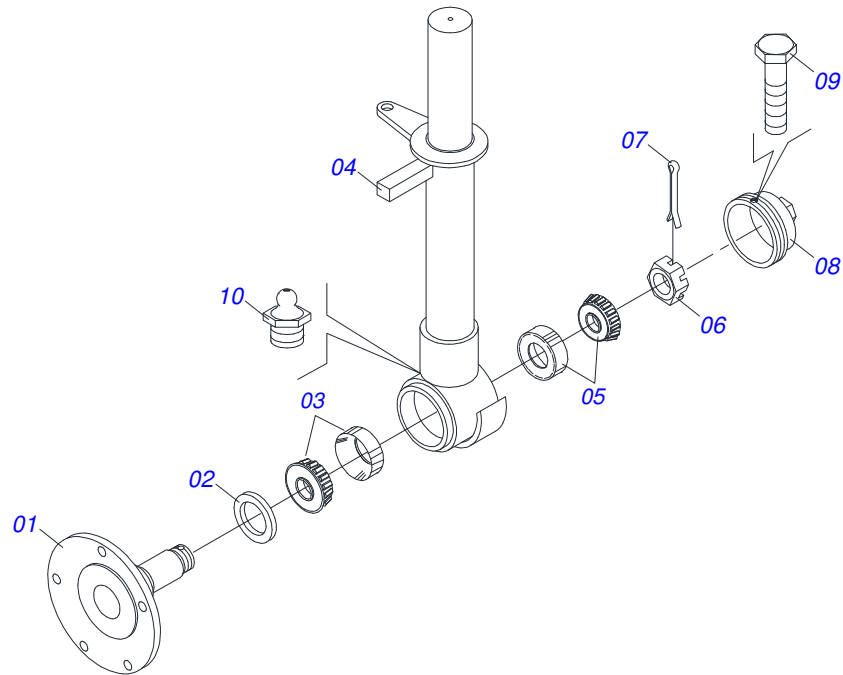
0909095603	ASSY FRAME	1
0501046490	CENTRAL PLOUGH SUPPORT	2
0501046491	FRONT PLOUGH SUPPORT	3
0501046492	REAR PLOUGH SUPPORT ASSY	4
0501043464	1.5" X 2.5" X 13" X 5.7" HYDRAULIC CYLINDER	5
0501043789	FURROW WHEEL ASSY	6



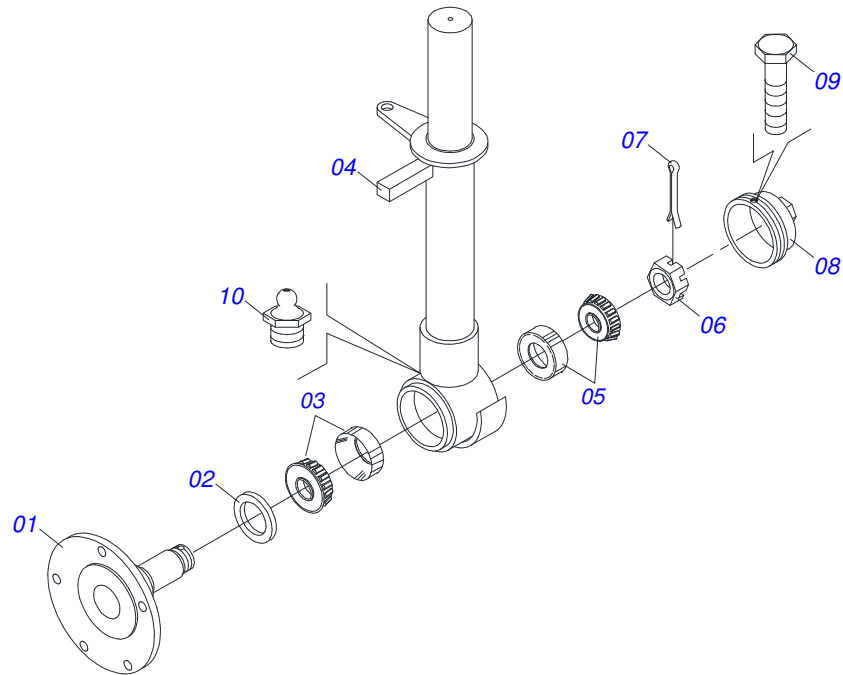
Item	Code	Description	See page	26	28
01	0531060292	FRAME		01	01
02	0501061109	BOLT		02	02
03	0501016857	LOCK LOCKNUT		02	02
04	0501016206	FLAT WASHER		01	01
05	0501063348	HOLDER BAR		01	01
06	0501046490	CENTRAL PLOUGH SUPPORT	2	01	01
07	0502040720	2.9" X 3.6" X 2" SLEEVE		01	01
08	0501016854	FLAT WASHER		01	01
09	0503010023	3/4" SPRING WASHER		01	01
10	0501011544	3/4" X 1-1/2" BOLT		01	01
11	0501010721	PULLEY		01	01
12	0501016208	AXLE PULLEY		01	01
13	0501061106	REGULATOR SPEED		01	01
14	0501010717	FIXER REGULATOR SPEED		01	01
15	0501010100	SCREW 5/8 UNC X 2 CS G.5 ZN		01	01
16	0503011445	SPRING WASHER		01	01
17	0503010013	5/8" NUT		01	01
18	0501046491	FRONT PLOUGH SUPPORT	3	01	01
19	0501065762	AXLE TRANSMISSION SPEED		01	01
20	0503010928	0.4" X 4" SPRING PIN		01	01
21	0503010927	0.6" X 3.9" SPRING PIN		01	01
22	0503010233	5/8" X 2-1/2" BOLT		01	01
23	0501043464	1.5" X 2.5" X 13" X 5.7" HYDRAULIC CYLINDER	5	01	01
24	0601036001	24" X 0.2" PLAIN DISC BLADE		03	03
24.	0601039002	28" X 0.2" PLAIN DISC BLADE		03	03
25	0501010718	GUIDE AXLE TRANSMITTER		03	03
26	0501046492	REAR PLOUGH SUPPORT ASSY	4	01	01
27	0501010723	FLAT WASHER		01	01
28	0501063348	HOLDER BAR		01	01
29	0501010322	FLAT WASHER		01	01
30	0503010018	5/32 X 1-1/2 COTTERPIN		01	01

ASSY FRAME

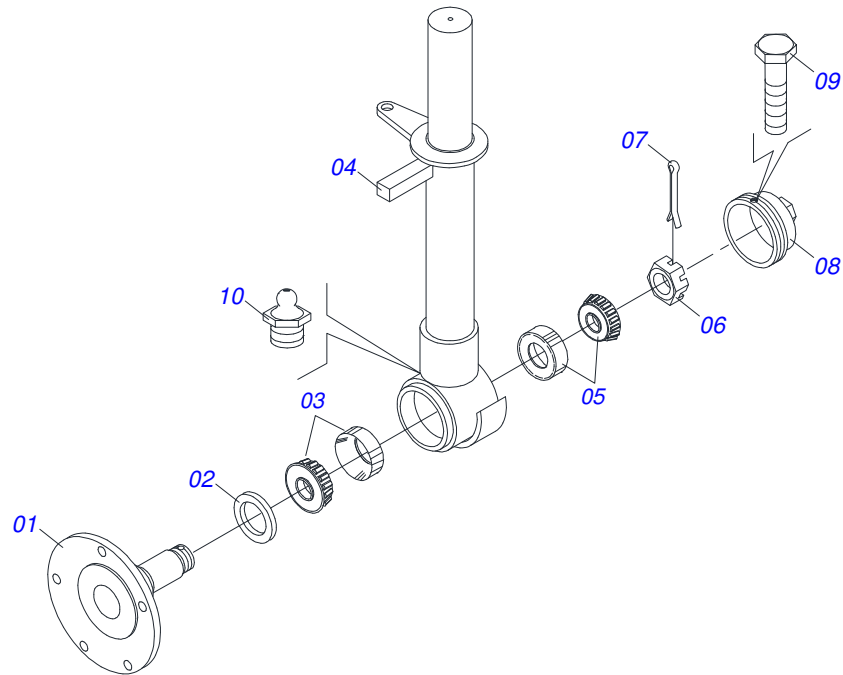
Item	Code	Description	See page	26	28
31	0501065497	PLOUGH SUPPORT FURROW WHEEL		01	01
32	0511010927	2.9" X 2.4" X 0.6" BUSHING		01	01
33	0501065399	REVERSIBLE ARM		01	01
34	0501010197	5/8" X 3-1/2" BOLT		01	01
35	0501053834	MALE QUICK COUPLER WITH CAP - 1/2 NPT		02	02
36	0501080380	3/8" X 75" TR-TM HOSE ASSY		01	01
37	0501010190	LOCK LOCKNUT		01	01
38	0501060107	REGULATOR BOLT		01	01
39	0501063497	FORK SPRING		01	01
40	0503030441	12.7" X 5.7" X 0.5"SPRING		01	01
41	1902040302	APOYO RESORTE		01	01
42	0501060108	5/8" X 5/8" X 16.9" STUD		01	01
43	0503010013	5/8" NUT		01	01
44	0501065202	LEFT ARM FURROW WHEEL		01	01
45	0501043789	FURROW WHEEL ASSY	6	01	01
46	0501065203	RIGHT ARM FURROW WHEEL		01	01
47	0501011445	FLAT WASHER		01	01
48	0503011438	SPRING WASHER		01	01
49	0503010340	1" NUT		01	01
50	0511010353	DISC SCRAPER		01	01
51	0501011600	1/2" X 1-1/4" BOLT		01	01
52	0503010020	1/2"NUT		01	01
53	0501016214	CABLE REVERSIBLE ARM		01	01
54	0501010059	1.5/8 NUT		01	01
55	0501061105	CABLE REGULATOR		01	01
56	0521010561	0.7" X 2.0" COUPLING SHAFT		01	01
57	0503010018	5/32 X 1-1/2 COTTERPIN		01	01
58	0501063495	DISC SCRAPER		01	01
59	0503010834	1/2 X 1 BOLT		01	01
60	0503012956	1/2" X 1-1/2" BOLT		01	01
61	0503011440	SPRING WASHER		01	01
62	0503010020	1/2"NUT		01	01
63	0502010477	HOSE CLAMP		01	01
64	0503011443	3/8" SPRING WASHER		01	01
65	0503010751	C3/8" X 1.1/4" HEX BOLT G.5		01	01
66	0503010002	1800 GREASE FITTING		01	01
67	0503010004	1890 GREASE FITTING		01	01
68	0521010588	0.9" X 7.0" COUPLING SHAFT		01	01
69	0521010572	0.9" X 2.9" COUPLING SHAFT		01	01
70	0503010571	1/4" X 1.1/2 COTTERPIN		01	01
71	0521010578	COUPLING SHAFT		01	01
72	0521010595	1.1" X 4.3" COUPLING SHAFT		01	01
73	0503031035	HAIR PIN		01	01
74	0501060121	PLOUGH SUPPORT 860 AR		01	01
75	0501080569	3/8" X 67" TR-TM HOSE ASSY		01	01



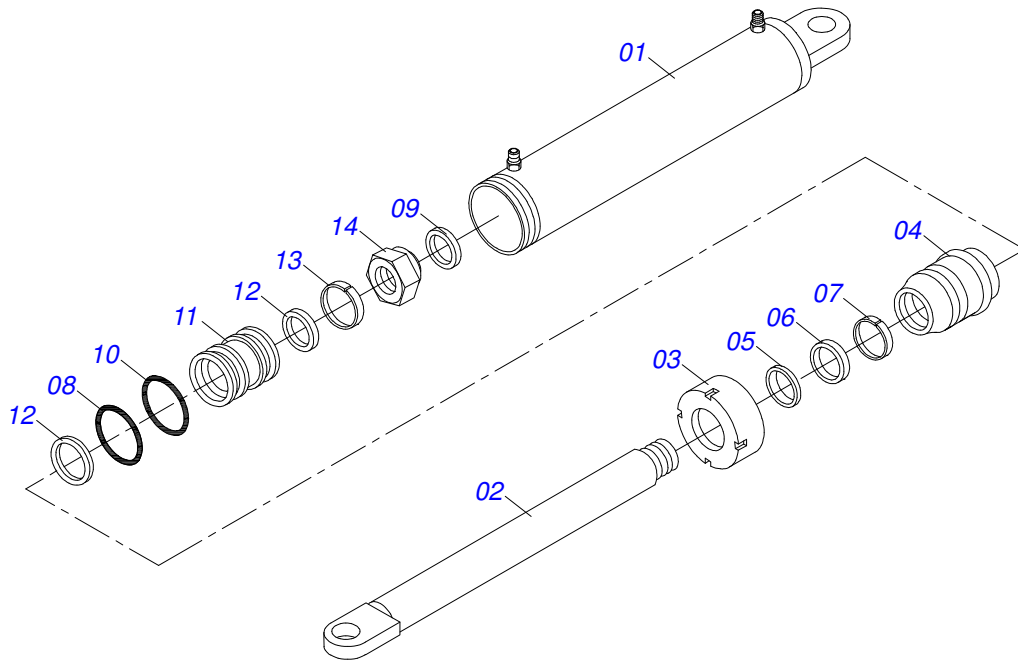
Item	Code	Description	See page	QT
001	0502040091	DISC DISH FOR AF		01
002	0503011866	SEAL 00573-B WITH HOLE		01
003	0503010005	32212 ROLLER BEARING		01
004	0501067344	CENTRAL PLOUGH SUPPORT		01
005	0503010006	32210 ROLLER BEARING		01
006	0501010888	1.3/4" 2.5/16" CASTLE NUT		01
007	0503010010	1/4" X 2.1/2" COTTERPIN		01
008	0502020597	COVER		01
009	0503010358	5/16" X 5/8" BOLT		01
010	0503010002	1800 GREASE FITTING		01



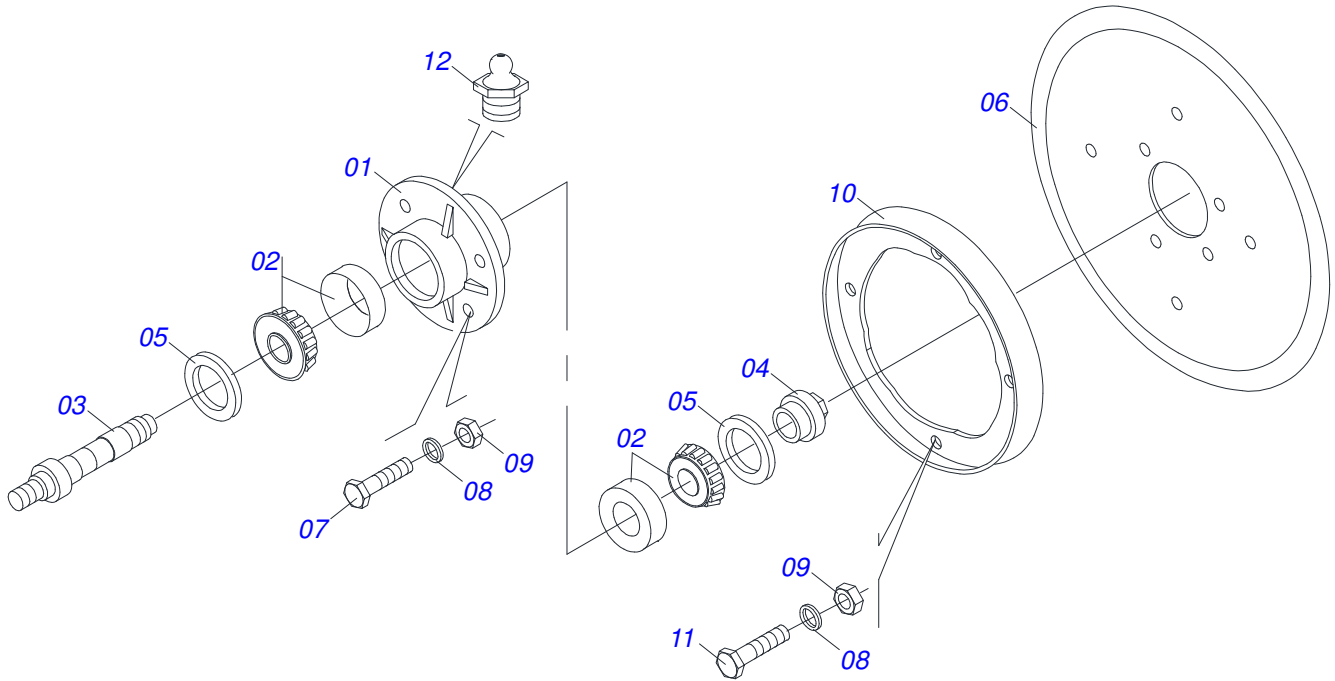
Item	Code	Description	See page	QT
001	0502040091	DISC DISH FOR AF		01
002	0503011866	SEAL 00573-B WITH HOLE		01
003	0503010005	32212 ROLLER BEARING		01
004	0501067345	FRONT PLOUGH SUPPORT		01
005	0503010006	32210 ROLLER BEARING		01
006	0501010888	1.3/4" 2.5/16" CASTLE NUT		01
007	0503010010	1/4" X 2.1/2" COTTERPIN		01
008	0502020597	COVER		01
009	0503010358	5/16" X 5/8" BOLT		01
010	0503010002	1800 GREASE FITTING		01



Item	Code	Description	See page	QT
001	0502040091	DISC DISH FOR AF		01
002	0503011866	SEAL 00573-B WITH HOLE		01
003	0503010005	32212 ROLLER BEARING		01
004	0501067346	REAR PLOUGH SUPPORT		01
005	0503010006	32210 ROLLER BEARING		01
006	0501010888	1.3/4" 2.5/16" CASTLE NUT		01
007	0503010010	1/4" X 2.1/2" COTTERPIN		01
008	0502020597	COVER		01
009	0503010358	5/16" X 5/8" BOLT		01
010	0503010002	1800 GREASE FITTING		01



Item	Code	Description	See page	QT
01	0501065175	2.5" X 11.5" CYLINDER CASE		01
02	0501069826	HYDRAULIC CYLINDER TURNBUCKLE		01
03	0502010471	MOBILE COVER		01
04	0502010780	RING SUPPORT		01
05	0503010163	D-1500 SCRAPER RING		01
06	0503010989	1870-1500-375-B GASKET		01
07	0503010970	W1-1650-500 PK O'RING G.E		01
08	0503011058	8-330 BACK-UP RING		01
09	0503010161	2-330 N 3006 9B O'RING		01
10	0503010285	2-222 N 3006-9B O'RING		01
11	0502010783	1.5" X 2.5" PISTON		01
12	0503010160	2500 2000 GASKET		02
13	0503010973	W2-2500-500 PK O'RING G.E		01
14	0503010063	1" SELF-ALIGNING NUT		01
15	0501032666	HYDRAULIC CYLINDER REPAIR KIT		01



Item	Code	Description	See page	QT
01	0502020601	FURROW WHEEL HUB		01
02	0503010745	BEARING 25877/25821		02
03	0511010396	HUB AXLE		01
04	0502040587	ADJUSTMENT NUT		01
05	0503010279	SEAL		02
06	0603027058	20\"X 0.2\" FLAT PLAIN DISC		01
07	0501010063	1/2\" X 1-1/2\" BOLT		08
08	0503010019	1/2\" SPRING WASHER		08
09	0503010060	1/2\" NUT		04
10	0502020028	FURROW WHEEL FLANGE		02
11	0503010238	BOLT 1/2 UNC X 1.3/4 CS G.2 ZN		04
12	0503010002	1800 GREASE FITTING		01



CIVEMASA

www.civemasa.com.br



Technical Publications | Elaboration and Revision

LUIZ CANDIDO