

# PARTS CATALOGUE

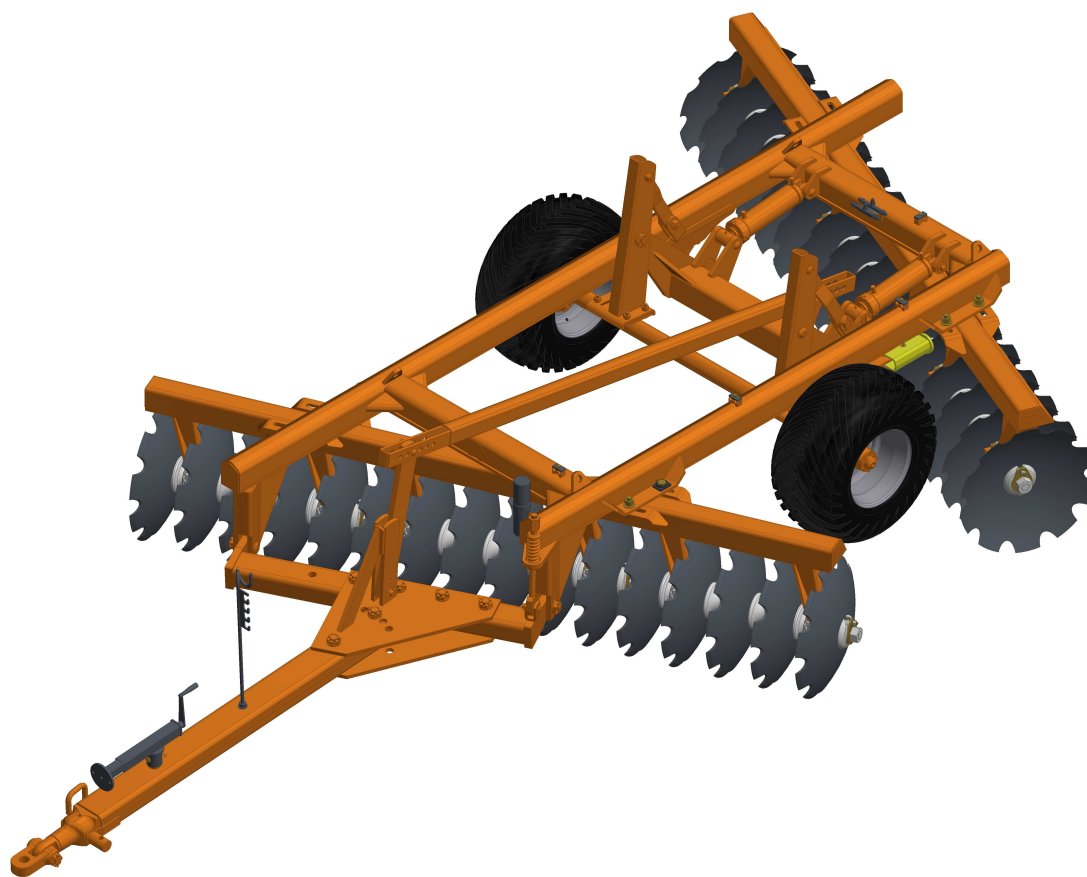
## DISK HARROWS

**Code:**

0501092913

**Product:**

GACCR - 16/18D



**Series:**

S-0910

**Revision:**

00

**Revision Date:**


FEVEREIRO/2021

# PRODUCTS

<b>Code</b>	<b>Description</b>	
0120700081	GACCR 16 X 28 X 6,0 DMO	S-0910
0120700082	GACCR 18 X 28 X 6,0 DMO	S-0910

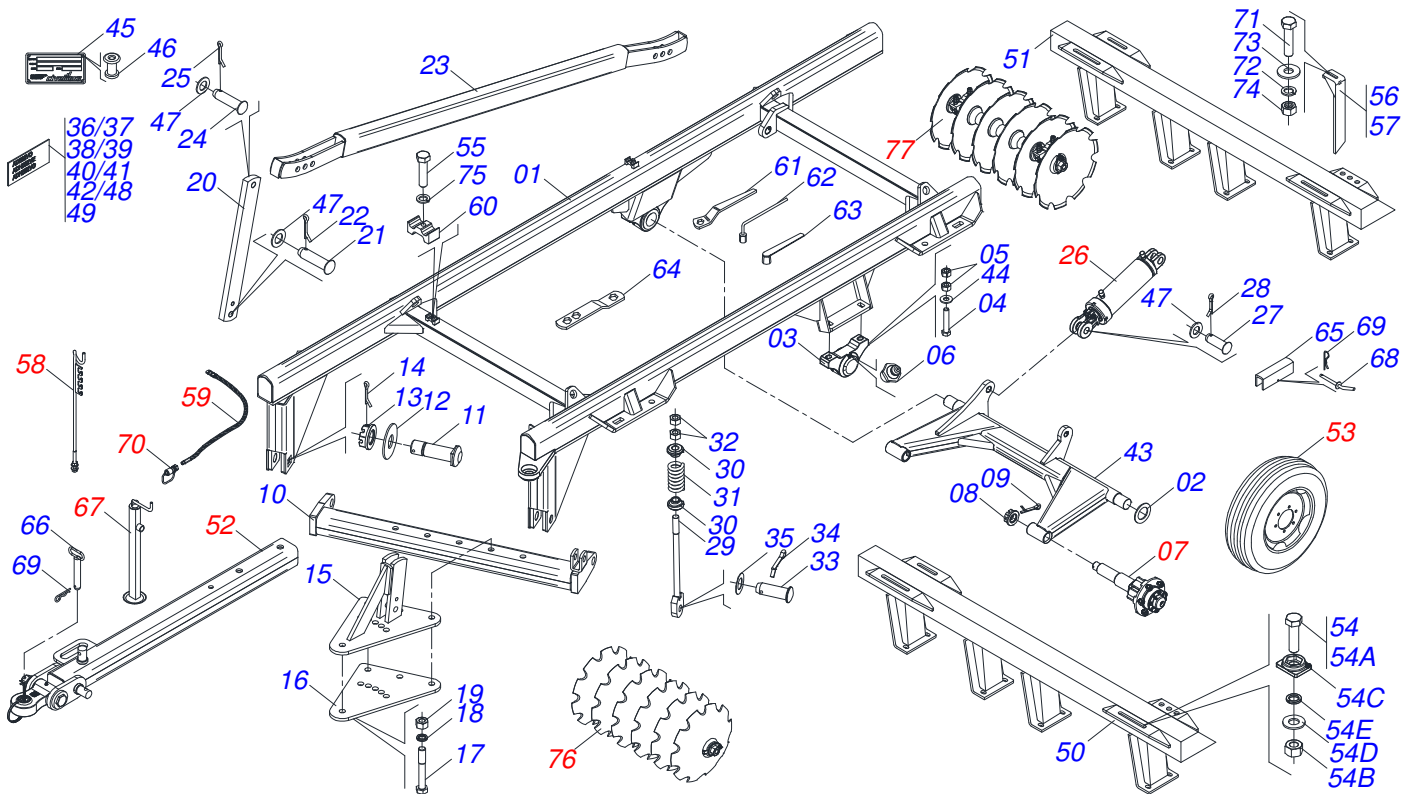
## **ATTENTION: IMPORTANT**

Civemasa reserves the right to improve and / or modify the technical features of its products, without obligation to do the same with those products already sold and without prior knowledge of the dealer or the consumer.



# INDEX

0909095586	ASSY FRAME	.....	1
0501110856	ARTICULACION BEARING	.....	2
0501051634	TSTUB SHAFT & HUB ASSY	.....	3
0501051142	CARRYING WHEEL HUB	.....	4
0511059180	HYDRAULIC CYLINDER	.....	5
0511058298	HYDRAULIC CYLINDER	.....	6
0521048502	ASSY TRACTION BAR	.....	7
0521057520	HITCH ASSY	.....	8
0501041096	DRAWBAR ASSY	.....	9
0503060091	L29.5"X0.63"-10L WHEEL AND	.....	10
0503060094	WHEEL AND TIRE ASSY	.....	11
0501040257	3/4 X 1200 HOSE HOLDER A	.....	12
0503011360	HOSE KIT	.....	13
0503062157	HEADER JACK	.....	14
0501053834	MALE QUICK COUPLER WITH CAP - 1/2 NPT	.....	15
0909095592	FRONT GANG DISC 16/18 DISC	.....	16
0909095591	REAR GANG DISC 16/18 DISC	.....	17
0511048374	BEARING DM OL 225 X 1.5/8 OSC C/SUPT/PROT IMP	.....	18

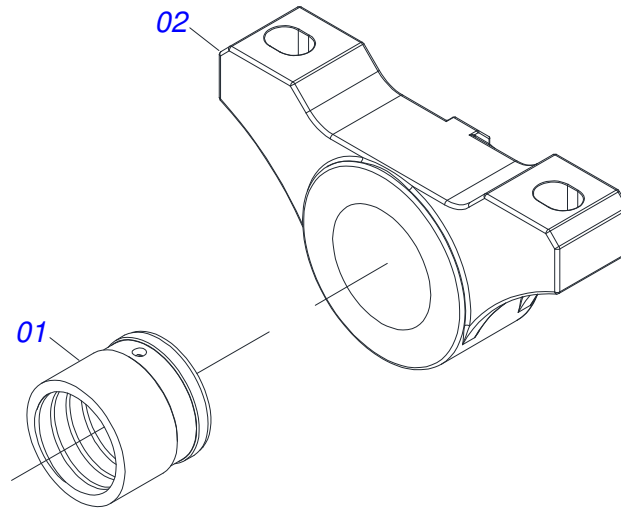


Item	Code	Description	See page	16	18D
01	0521063058	FRAME		01	00
01.	0521065511	FRAME		00	01
02	0501817579	FLAT WASHER 63,50X102X4,75		02	02
03	0501110856	ARTICULACION BEARING	2	02	02
04	0503810797	BOLT		04	04
05	0503810014	3/4" NUT		08	08
06	0503010002	1800 GREASE FITTING		02	02
07	0501051634	TSTUB SHAFT & HUB ASSY	3	00	02
07.	0501051634	TSTUB SHAFT & HUB ASSY	3	02	00
08	0501811301	CASTLE NUT		02	02
09	0503010010	1/4" X 2.1/2" COTTERPIN		02	02
10	0501066262	OFFSET BAR		00	01
10.	0501060370	OFFSET BAR		01	00
11	0521817538	COUPLING SHAFT		02	02
12	0511819880	FLAT WASHER		02	02
13	0501811301	CASTLE NUT		02	02
14	0503010010	1/4" X 2.1/2" COTTERPIN		02	02
15	0501066235	UPPER PLATE WITH SUPPORT		00	01
15.	0501066099	UPPER PLATE WITH SUPPORT		01	00
16	0511013000	UPPER /LOWER PLATE		00	01
16.	0501010241	UPPER /LOWER PLATE		01	00
17	0501810334	SCREW 1 UNC X 7 C S G.5		00	05
17.	0503811198	SCREW		03	00
17..	0501080060	1/2 X 1600 TR-TC HOSE		02	00
18	0503011438	SPRING WASHER		00	05
18.	0503011442	3/4" SPRING WASHER		03	00
19	0501810059	1" NUT		00	05
19.	0503810014	3/4" NUT		03	00
20	0511012972	TSTABILIZER BAR TOWER		01	01
21	0521810576	COUPLING SHAFT		01	01
22	0503010571	1/4" X 1.1/2 COTTERPIN		01	01

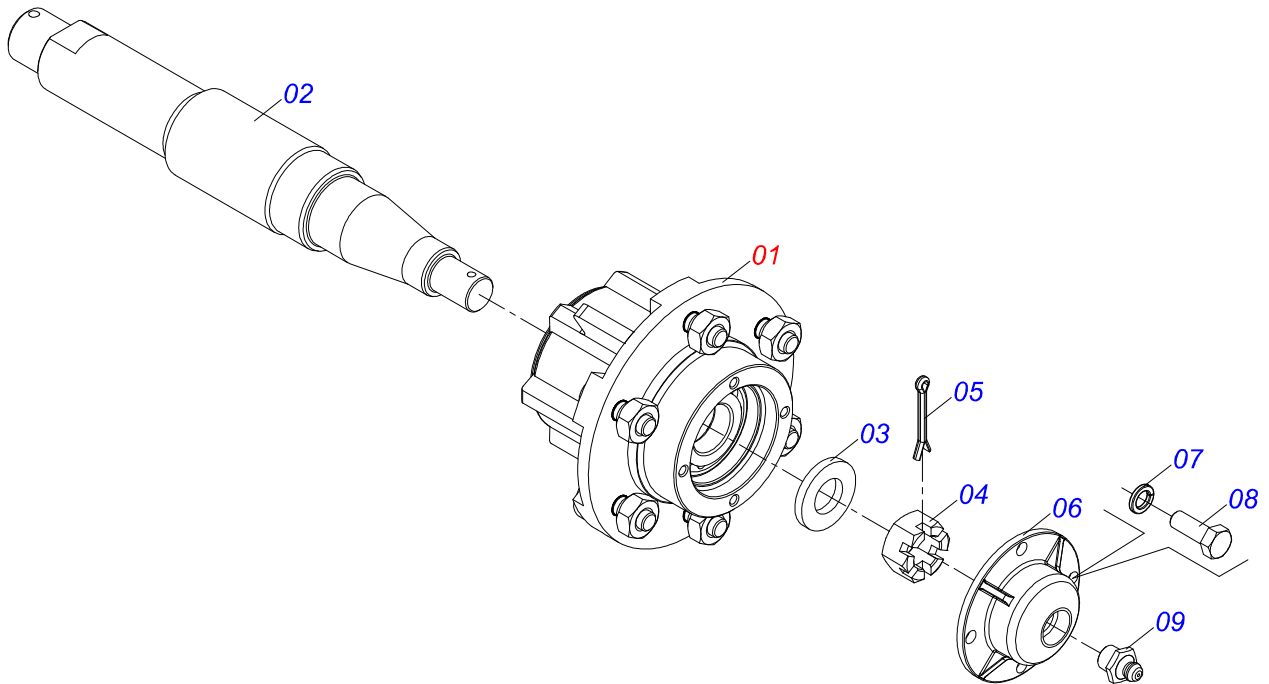
**ASSY FRAME**

Item	Code	Description	See page	16	18D
23	0511066932	CSTABILIZER BARCOTTERPIN		01	01
24	0521810575	COUPLING SHAFT		02	02
25	0503010571	1/4" X 1.1/2 COTTERPIN		02	02
26	0511059180	HYDRAULIC CYLINDER	5	00	01
26.	0511058298	HYDRAULIC CYLINDER	6	00	01
27	0521812538	COUPLING SHAFT		02	02
28	0503010523	1/4" X 2" COTTERPIN		02	02
29	0501064698	SPRING ROD		01	01
30	0502020392	SPRING SUPPORT		02	02
31	0503030441	12.7" X 5.7" X 0.5"SPRING		01	01
32	0501810059	1" NUT		02	02
33	0521810592	COUPLING SHAFT		01	01
34	0503010571	1/4" X 1.1/2 COTTERPIN		01	01
35	0561011883	FLAT WASHER		01	01
36	0503034078	LIFTING POINTS DECAL		04	04
37	0503033647	APPROVED BADGE		01	01
38	0503031428	READ MANUAL DECAL		01	01
39	0503031827	LUBRICATE AND RETIGHTEN DAILY DECAL		01	01
40	0503031738	ADHESIVE LABEL		01	01
41	0503033038	DANGER SIGN		01	01
42	0503033433	BADGE GACCR		02	02
43	0501065518	CARRYING-WHEELS		00	01
43.	0501066950	CARRYING-WHEELS		01	00
44	0501810322	FLAT WASHER		04	04
45	0503034004	ALUMINUM IDENTIFICATION LABEL		01	01
46	0503010001	3.2 X 5.5 RIVET		04	04
47	0501011445	FLAT WASHER		03	03
48	0503031739	ADHESIVE LABEL		01	01
49	0503034355	EMBLEM		02	02
50	0521063256	FRONT FRAME 16		01	00
50.	0521063562	FRONT FRAME 18		00	01
51	0521063257	REAR FRAME 16		01	00
51.	0521063563	REAR FRAME 18		00	01
52	0521048502	ASSY TRACTION BAR	7	00	01
52.	0501041096	DRAWBAR ASSY	9	01	00
53	0503060091	L29.5"X0.63"-10L WHEEL AND	10	00	01
53.	0503060094	WHEEL AND TIRE ASSY	11	01	00
54	0501040877	C1" X 3-1/4" ASSY BOLT		08	08
54A	0501010171	PARAFUSO 1 UNC X 3.1/2 C S G.5		08	08
54B	0501010059	1.5/8 NUT		08	08
54C	0502012861	1" SQUARE WASHER		08	08
54D	0501010065	1" SPRING WASHER		08	08
54E	0503010012	1" SPRING WASHER		08	08
55	0503012555	SCREW 7/16 UNC X 2 CS RT G.7 ZN		02	02
56	0501064168	REAR SCRAPER		04	07
57	0501064167	REAR SCRAPER		04	07
58	0501040257	3/4 X 1200 HOSE HOLDER A	12	01	01
59	0503011360	HOSE KIT	13	01	01
60	0502012702	BODY SUPPORT CLAMP		02	02
61	0501011431	1-3/4" GANG BOLT WRENCH		02	02
62	0501061617	1" GANG BOLT WRENCH		01	01
63	0503016140	3/4" WRENCH CABLE CYLINDRICAL		01	01
64	0511018451	5/8" X 3/4" X 1" UNIVERSAL		01	01
65	0511010839	TRANSPORT LOCK 7.9" X 2.1" X 0.4"		01	01
66	0501069080	COUPLING SHAFT		01	01
67	0503062157	HEADER JACK	14	01	01
68	0501068994	0.3" X 3.1"LOCK PIN		01	01
69	0503030168	HAIR PIN		02	02
70	0501053834	MALE QUICK COUPLER WITH CAP - 1/2 NPT	15	02	02

<b>Item</b>	<b>Code</b>	<b>Description</b>	<b>See page</b>	<b>16</b>	<b>18D</b>
71	0503010740	BOLT 1/2 UNC X 2 CS G.5 ZN		14	14
72	0503010019	1/2" SPRING WASHER		14	14
73	0511017302	FLAT WASHER		14	14
74	0503010060	1/2" NUT		14	14
75	0503010180	7/16" SPRING WASHER		02	02
76	0909095592	FRONT GANG DISC 16/18 DISC	16	01	01
77	0909095591	REAR GANG DISC 16/18 DISC	17	01	01

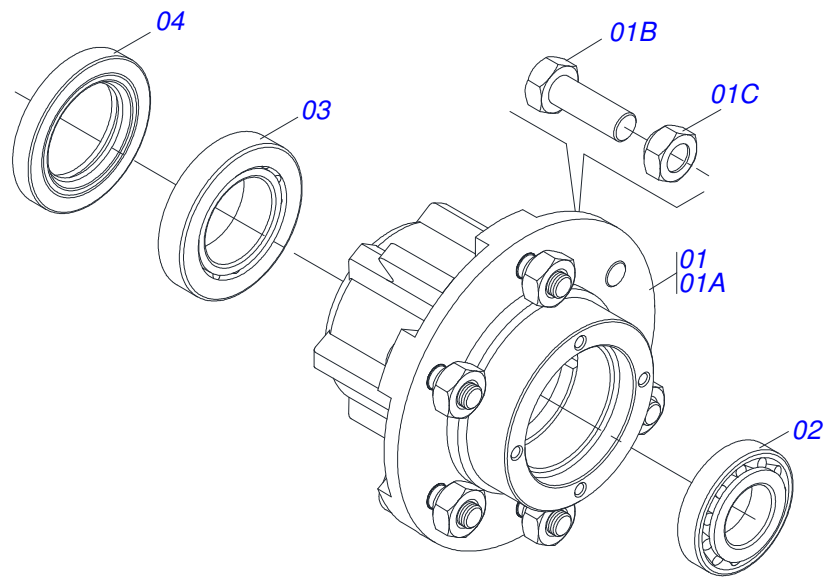


Item	Code	Description	See page	QT
001	0581012980	SLEEVE		01
002	0502010006	ARTICULACION BEARING		01

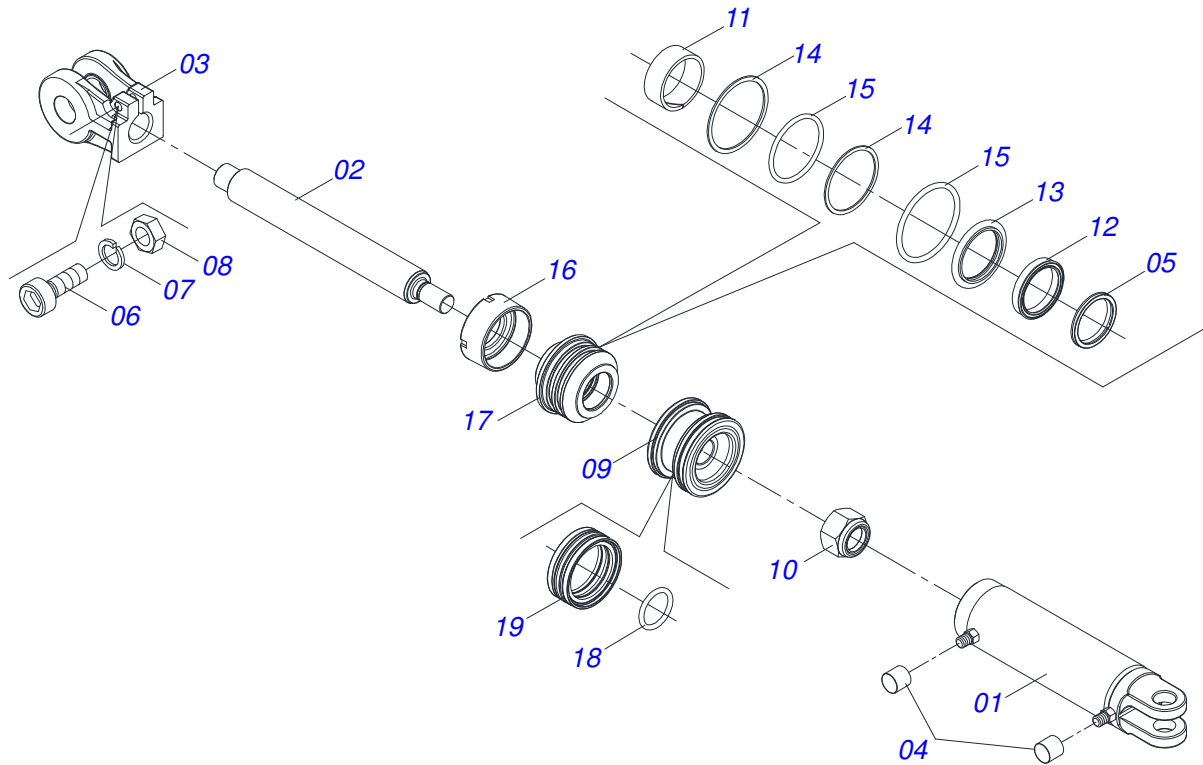


Item	Code	Description	See page	QT
01	0501051142	CARRYING WHEEL HUB	4	01
02	0521010821	2.5" X 16.5" AXLE		01
03	0501016545	FLAT WASHER		01
04	0503030009	1" CASTLE NUT		01
05	0503010018	5/32 X 1-1/2 COTTERPIN		01
06	0502020591	PROTECCION COVER		01
07	0503011444	SPRING WASHER		04
08	0503010358	5/16" X 5/8" BOLT		04
09	0503010002	1800 GREASE FITTING		01

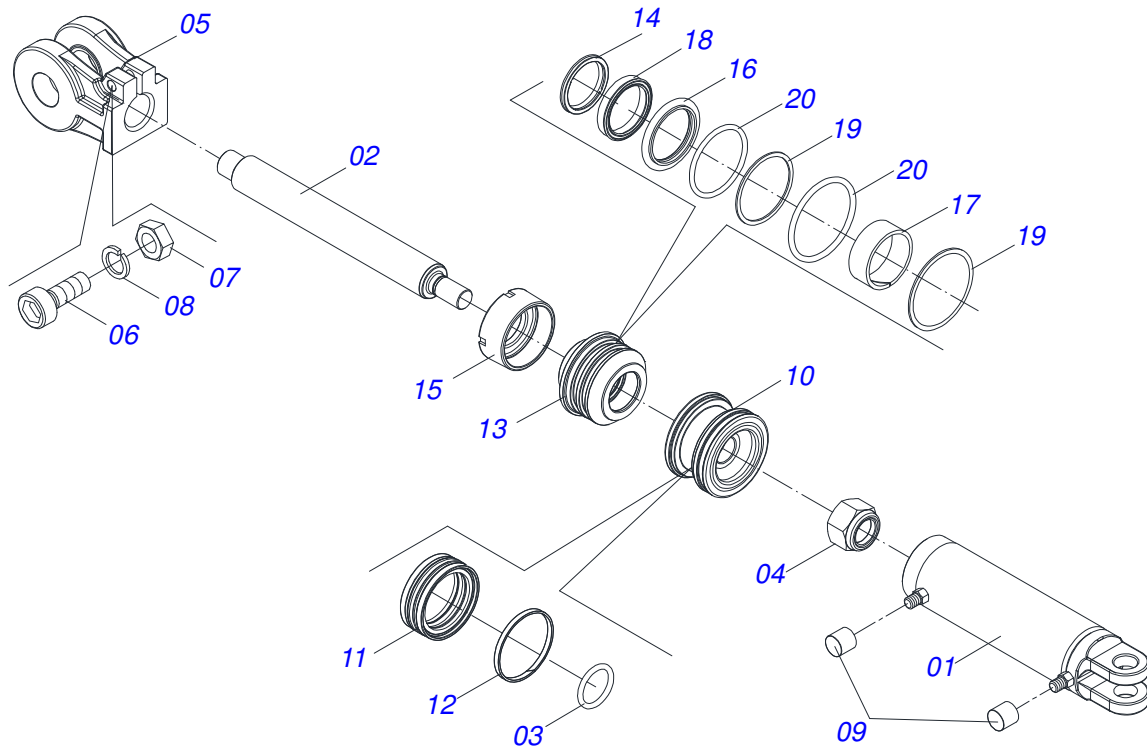




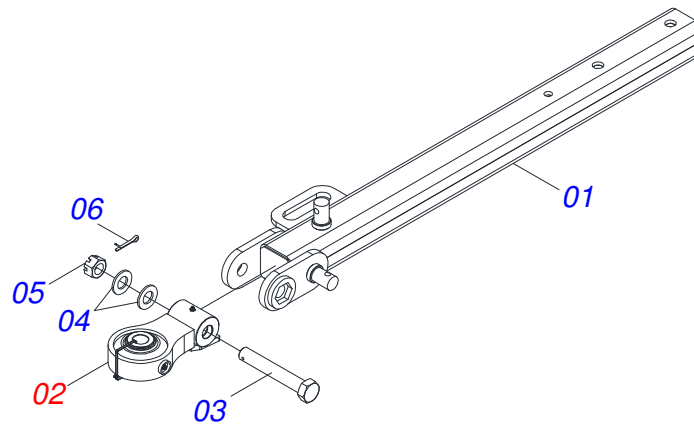
Item	Code	Description	See page	QT
01	0501110728	WHEEL HUB		01
01A	0502011121	CARRYING WHEEL HUB		01
01B	0501010127	9/16" X 1-7/8" LUG BOLT		06
01C	0503010035	9/16" CONIC NUT		06
02	0503010037	30207 ROLLER BEARING		01
03	0503010006	32210 ROLLER BEARING		01
04	0503012928	SEAL		01



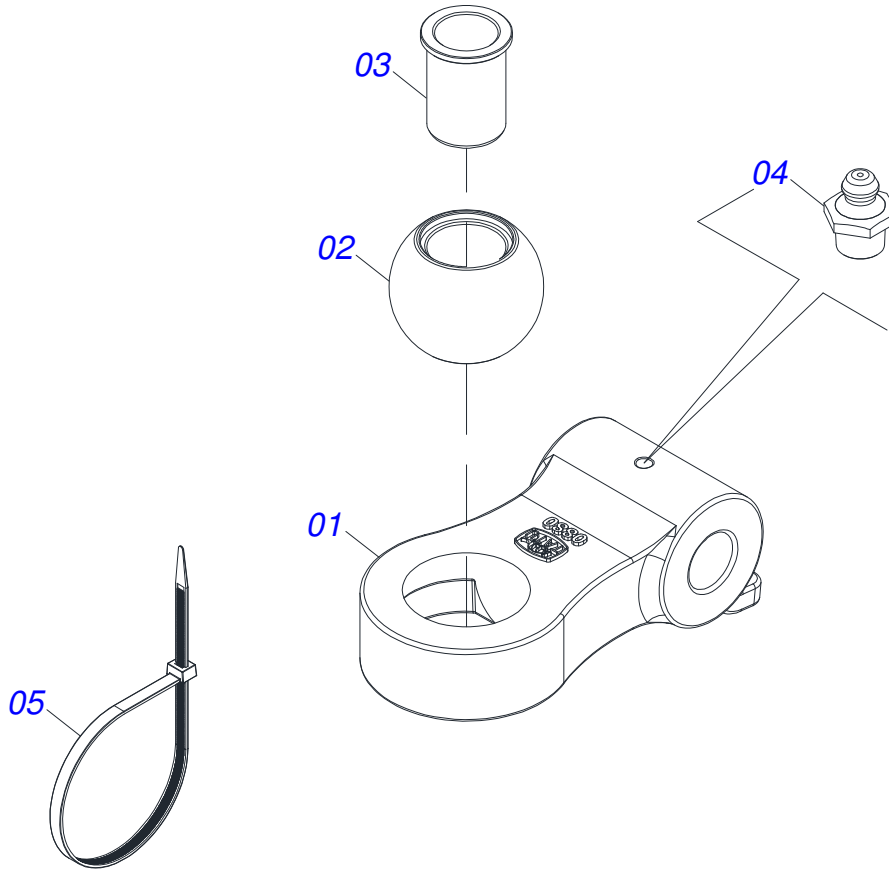
Item	Code	Description	See page	QT
001	0511070658	CYLINDER CASE	01	01
002	0571019958	HYDRAULIC CYLINDER TURNBUCKLE	01	01
003	0502040747	32.54 CLEVIS CLAMP	01	01
004	0503030385	CYLINDER PLUG N-002	02	02
005	0503010039	D-2000 SCRAPER RING	01	01
006	0503011094	3/8" X 2" BOLT	01	01
007	0503011443	3/8" SPRING WASHER	01	01
008	0503010026	3/8" NUT	01	01
009	0502012820	50.80 X 101.60 PISTON	01	01
010	0503010817	1.1/4" SELF LOCKING NUT	01	01
011	0503018025	RING GUIDE	01	01
012	0503018026	1870-2000-375 B GASKET	01	01
013	0503018024	RING BS	01	01
014	0503010338	2-342 N 3006-9B O'RING	02	02
015	0503011061	8-342 BACK-UP RING	02	02
016	0502012822	101.60 END CAP	01	01
017	0502012821	50.80 X 101.60 RING SUPPORT	01	01
018	0503018029	2-217 O'RING	01	01
019	0503015633	SELEMASTER SEALING	01	01



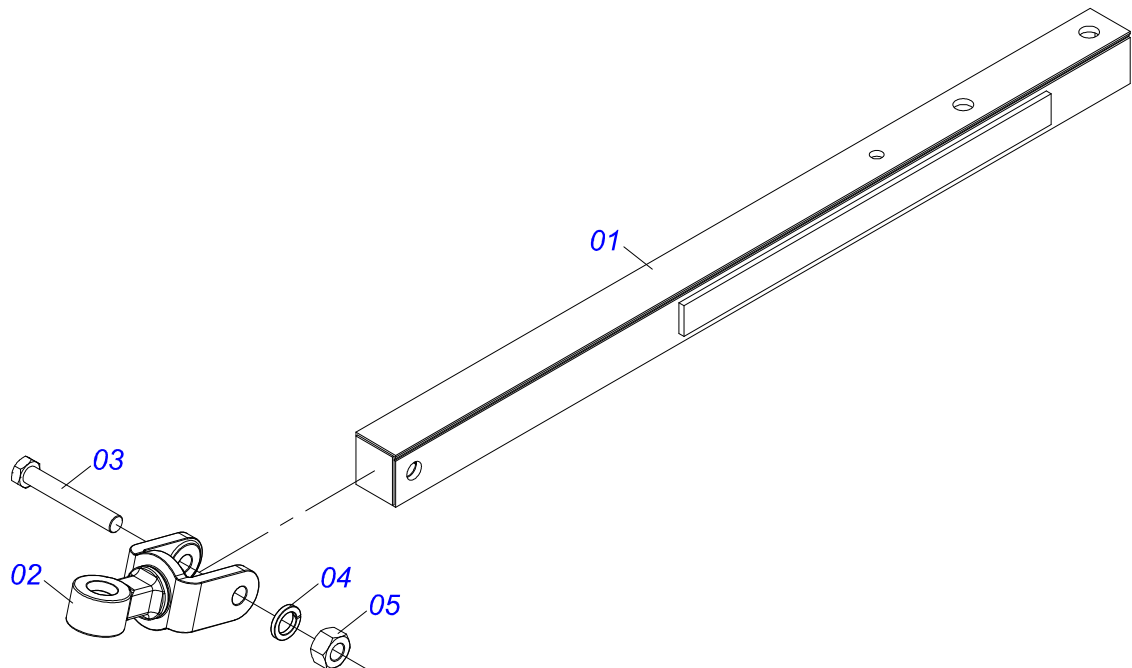
Item	Code	Description	See page	QT
001	0511061588	3.4" X 16" CYLINDER CASE		01
002	0521010421	HYDRAULIC CYLINDER TURNBUCKLE		01
003	0503010042	2-214 N 3006-9B O'RING		01
004	0503010063	1" SELF-ALIGNING NUT		01
005	0502040747	32.54 CLEVIS CLAMP		01
006	0503011094	3/8" X 2" BOLT		01
007	0503010026	3/8" NUT		01
008	0503010025	3/8" SPRING WASHER		01
009	0503030385	CYLINDER PLUG N-002		02
010	0571019710	1.7" X 3.4" PISTON		01
011	0503017935	RING		01
012	0503018144	RING		01
013	0571019711	RING SUPPORT		01
014	0503010761	D-1750 SCRAPER RING		01
015	0571019709	DETACHABLE COVER		01
016	0503017936	RING		01
017	0503017938	RING GUIDE		01
018	0503017937	GASKET		01
019	0503017940	8-337 BACK-UP RING		02
020	0503017939	2-337 N 3006-9B O' RING		02



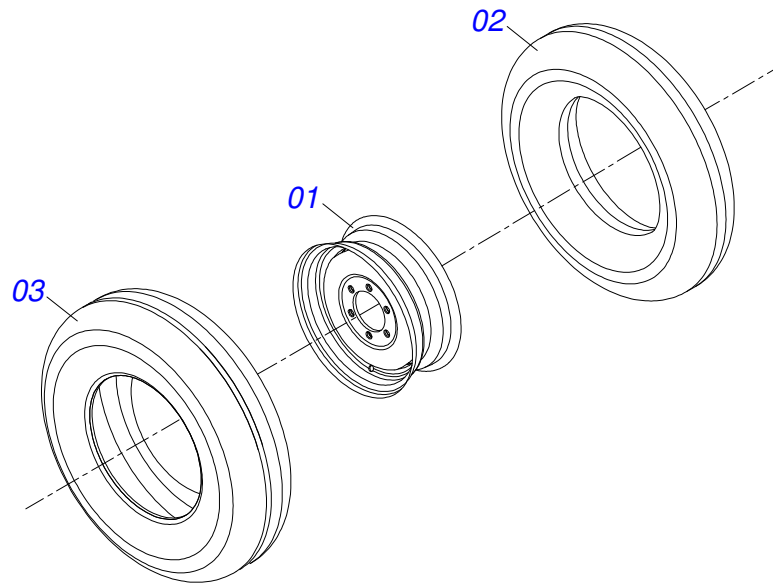
Item	Code	Description	See page	QT
01	0521069165	DRAWBAR ASSY		01
02	0521057520	HITCH ASSY	8	01
03	0581015973	1.1/4 UNC X 8 C S G5 SCREW		01
04	0501017779	32 X 60 X 4.75 FLAT WASHER		02
05	0503013026	1.1/4" CASTLE NUT		01
06	0503010010	1/4" X 2.1/2" COTTERPIN		01



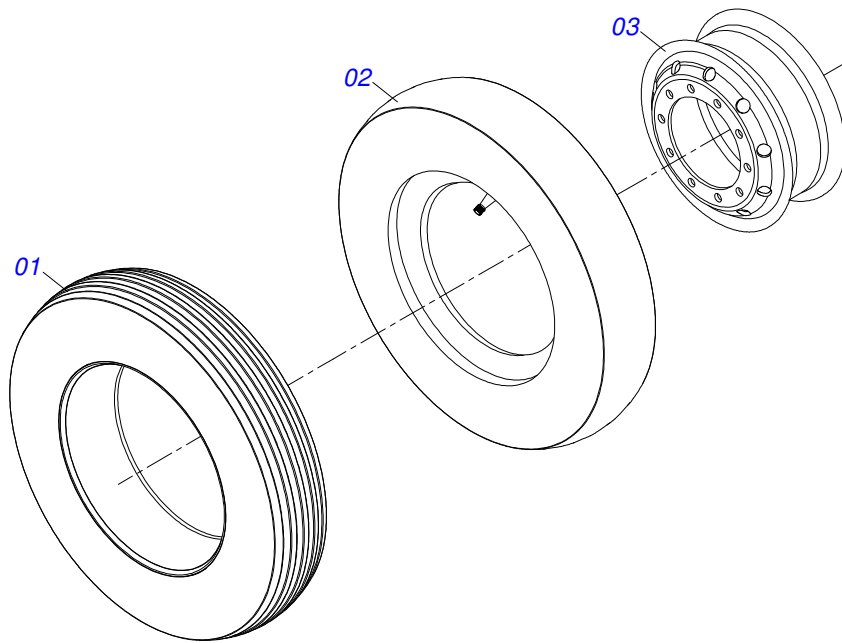
Item	Code	Description	See page	QT
001	0502040880	HITCH BODY		01
002	0502040885	BODY ATTACHMENT		01
003	0591012511	SLEEVE		01
004	0503010002	1800 GREASE FITTING		01
005	0503018829	NYLON CLAMP		01



Item	Code	Description	See page	QT
01	0501060188	DRAWBAR ASSY		01
02	0521061775	TRACTOR HITCH		01
03	0501010060	1" X 6-1/2" BOLT		01
04	0503011438	SPRING WASHER		01
05	0501010059	1.5/8 NUT		01

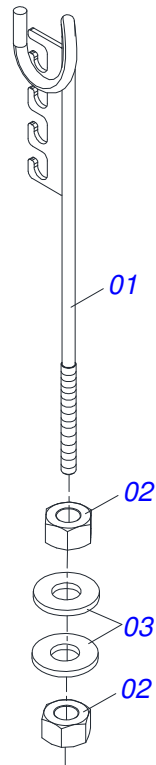


Item	Code	Description	See page	QT
01	0503010893	WHEEL		01
02	0503010033	7.50 X 16 INNER TIRE		01
03	0503010120	CANVAS TIRE		01

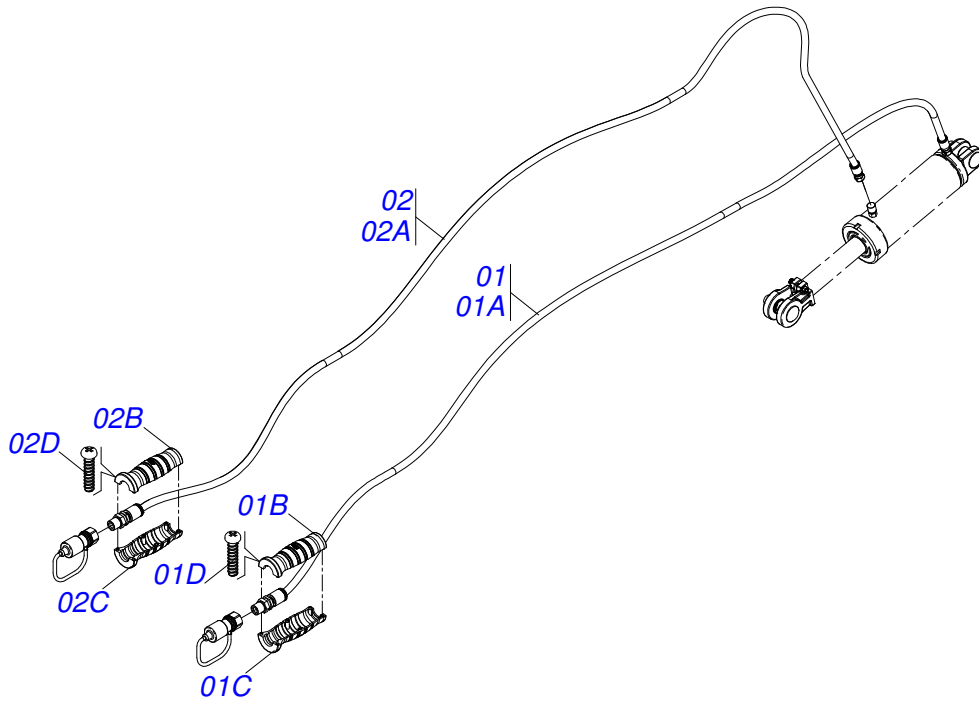


Item	Code	Description	See page	QT
01	0503010065	CANVAS TIRE		01
02	0503010068	6.00 X 16 INNER TIRE		01
03	0503010894	0.2"X0.6"X4.6"X6F0.6"X6" WHEEL		01

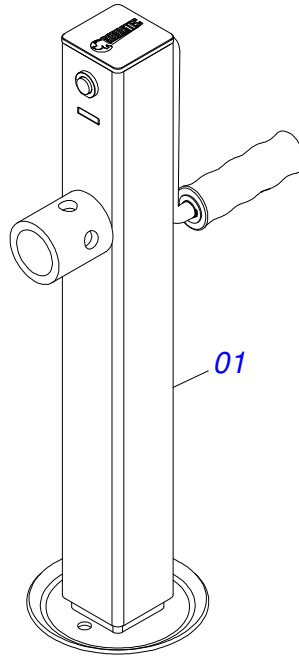




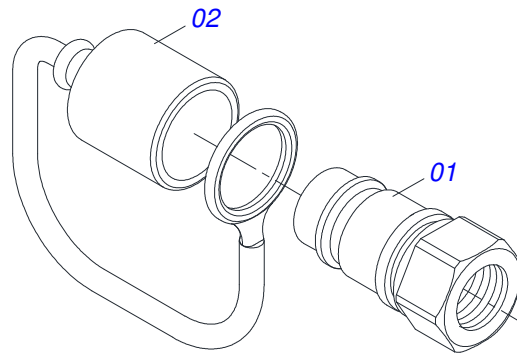
Item	Code	Description	See page	QT
01	0511067334	HOSE SOPPORT ASSY		01
02	0503010014	3/4" NUT		02
03	0501010322	FLAT WASHER		02



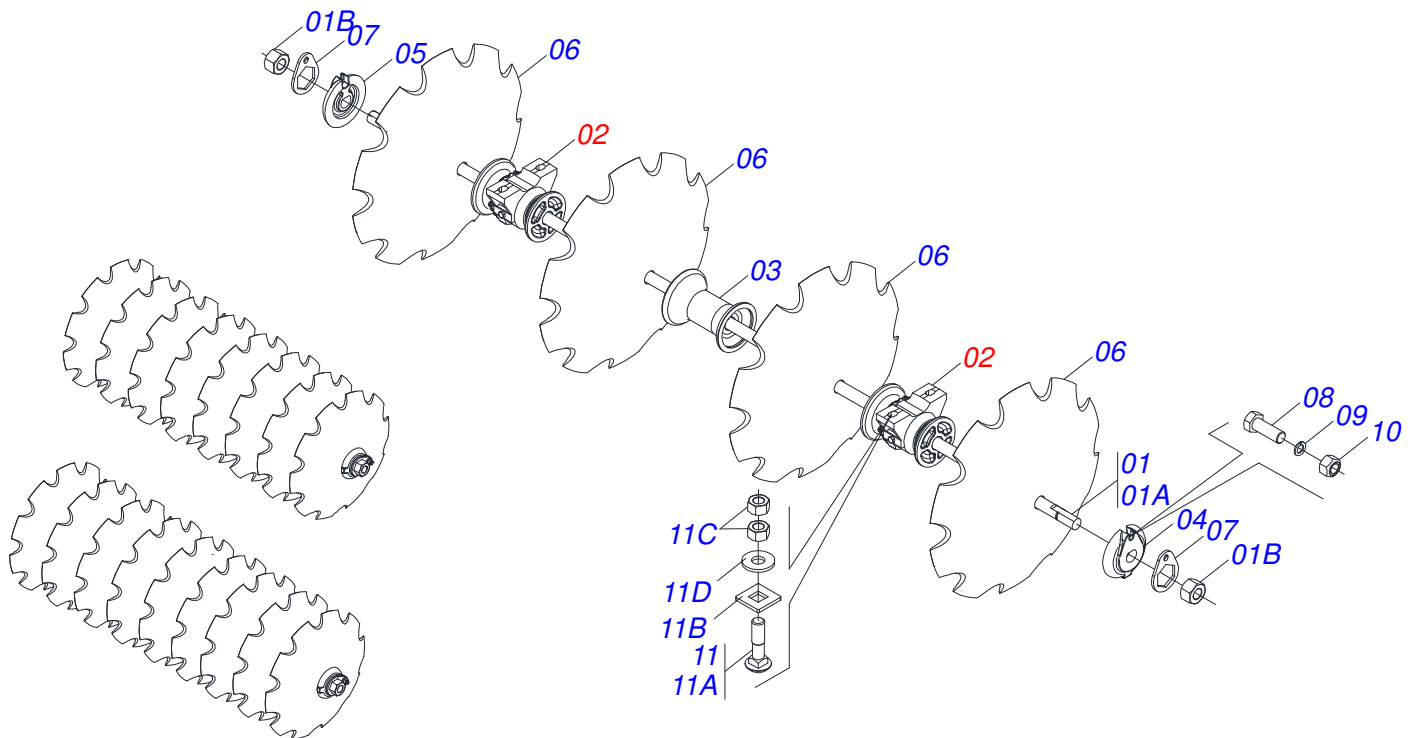
Item	Code	Description	See page	QT
01	0521056233	3/8 X 6000 TR-TM HOSE BLACK / RED		01
01A	0501080443	3/8" X 236" TR-TM HOSE		01
01B	0503034495	HYDRAULIC HOSE GRIP (RED)		01
01C	0503034492	HYDRAULIC HOSE GRIP (BLACK)		01
01D	0503018952	PLASTIC BOLT		06
02	0521055893	3/8 X 5850 TR-TM HOSE BLACK / BLUE		01
02A	0501080421	3/8" X 230" TR-TM HOSE ASS		01
02B	0503034492	HYDRAULIC HOSE GRIP (BLACK)		01
02C	0503034494	HYDRAULIC HOSE GRIP (BLUE)		01
02D	0503018952	PLASTIC BOLT		06



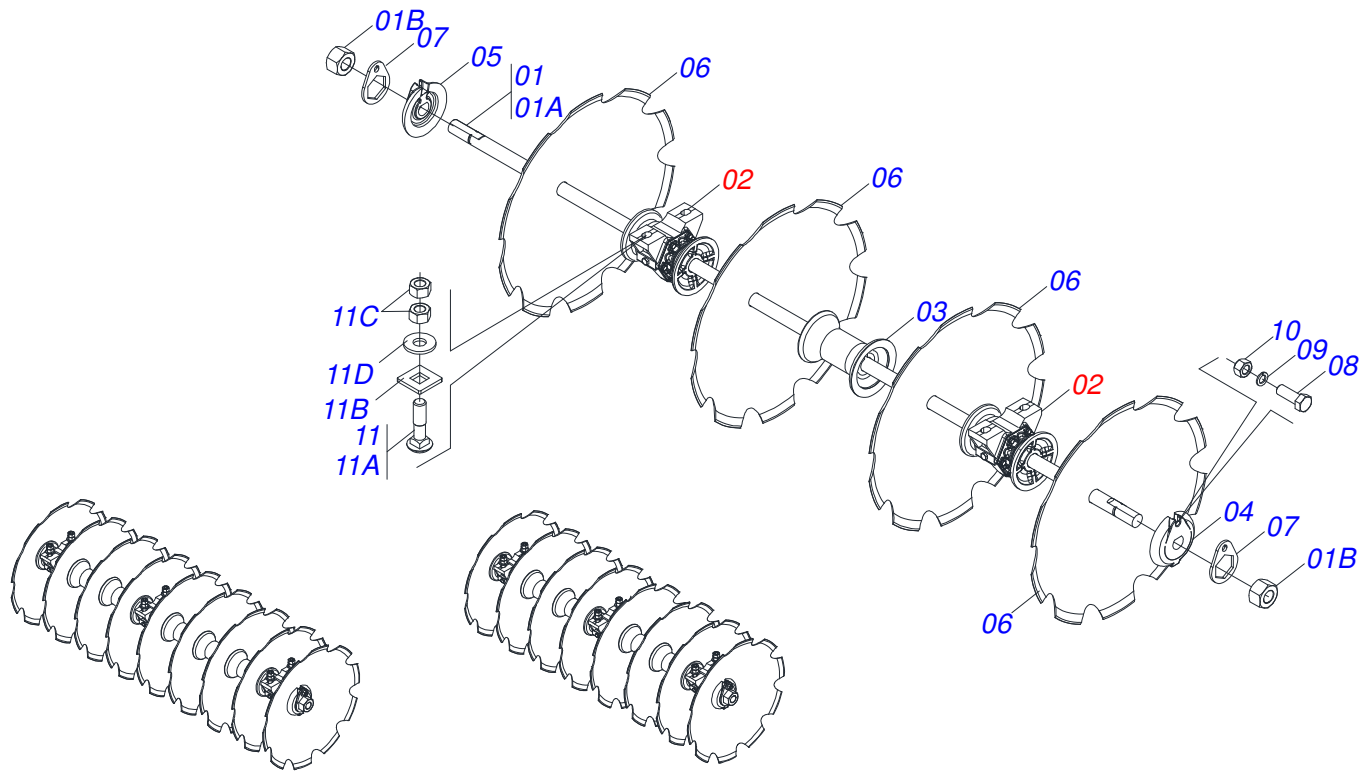
Item	Code	Description	See page	QT
01	0503062157	HEADER JACK	14	01



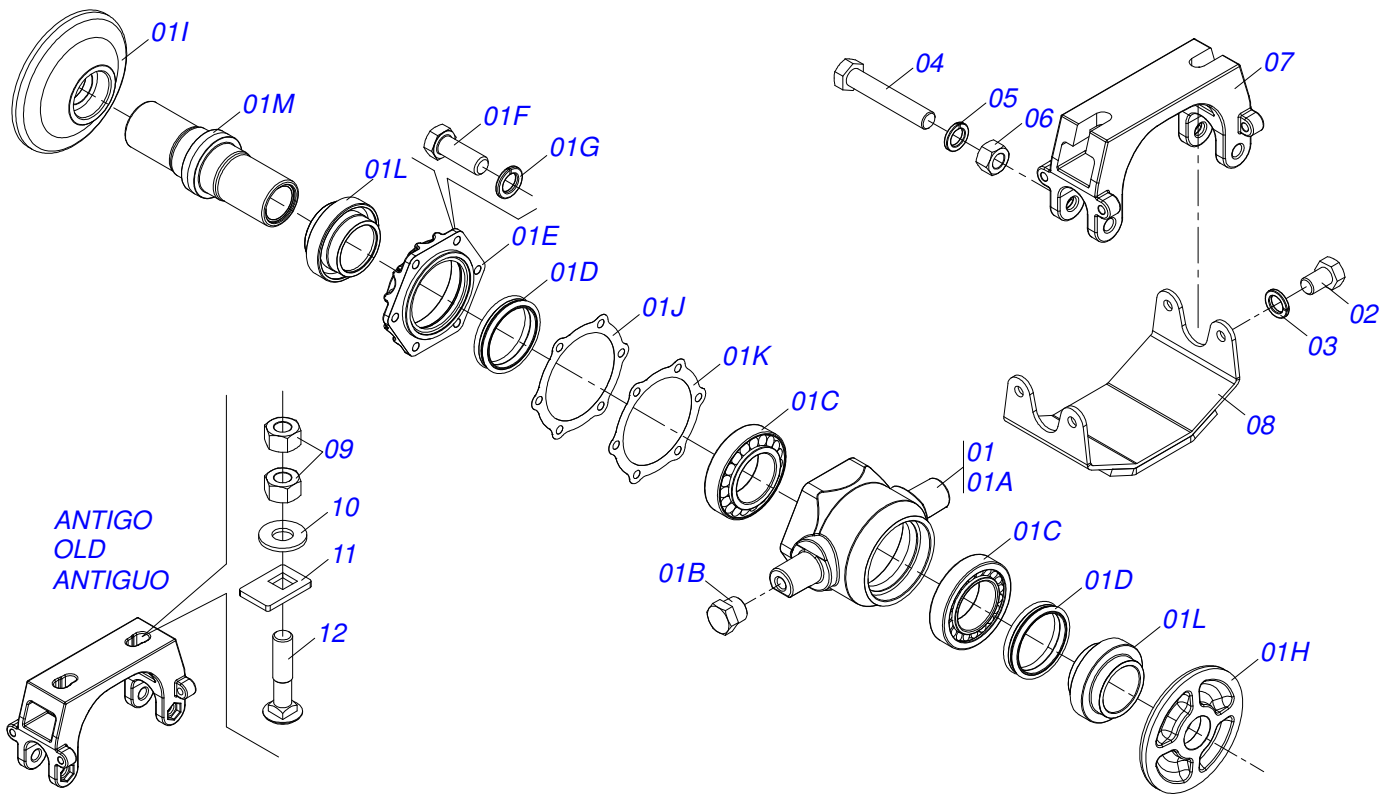
Item	Code	Description	See page	QT
01	0503011627	MALE QUICK COUPLER AGR 1/2 NPT		01
02	0503011882	MALE QUICK COUPLER CAP		01



Item	Code	Description	See page	16	18D
01	0501046859	1-5/8" X 70" AXLE WITH NUTS 2-3/4"	02	00	
01.	0501046860	1-5/8" X 79" AXLE WITH NUTS 2-3/4"	00	02	
01A	0501015631	1-5/8" X 70" AXLE	02	00	
01A.	0501015329	1-5/8 X 79" AXLE	00	02	
01B	0502040640	1.5/8" 2.3/4" NUT	04	04	
02	0511048374	BEARING DM OL 225 X 1.5/8 OSC C/SUPT/PROT 18 IMP	06	06	
03	0502010626	8.9" 1-5/8" SPACER	08	10	
04	0502011047	1-5/8" INNER AXLE WASHER	02	02	
05	0502011048	1-5/8" EXTERNAL AXLE WASHER	02	02	
06	0602033005	26" X 0.2" NOTCHED DISC BLADE	16	18	
06.	0602037154	28" X 0.2" NOTCHED DISC BLADE	16	18	
07	0511014339	1-5/8" 2.8" NUT LOCK	04	04	
08	0503010232	5/8" X 1.3/4" BOLT	04	04	
09	0503010027	5/8" SPRING WASHER	04	04	
10	0503012412	5/8 UNC SELF LOCKING NUT	04	04	
11	0511040034	3/4" X 3-1/4" BOLT ASSY	12	12	
11A	0501017303	3/4" X 3-1/4" BOLT	12	12	
11B	0501010949	3/4" SQUARE WASHER	12	12	
11C	0503010014	3/4" NUT	24	24	
11D	0501010322	FLAT WASHER	12	12	



Item	Code	Description	See page	16	18D
01	0501046859	1-5/8" X 70" AXLE WITH NUTS 2-3/4"	02	00	
01.	0501046860	1-5/8" X 79" AXLE WITH NUTS 2-3/4"	00	02	
01A	0501015631	1-5/8" X 70" AXLE	02	00	
01A.	0501015329	1-5/8 X 79" AXLE	00	02	
01B	0502040640	1.5/8" 2.3/4" NUT	04	04	
02	0511048374	BEARING DM OL 225 X 1.5/8 OSC C/SUPT/PROT 18 IMP	06	06	
03	0502010626	8.9" 1-5/8" SPACER	08	10	
04	0502011047	1-5/8" INNER AXLE WASHER	02	02	
05	0502011048	1-5/8" EXTERNAL AXLE WASHER	02	02	
06	0602033005	26" X 0.2" NOTCHED DISC BLADE	16	18	
06.	0602037154	28" X 0.2" NOTCHED DISC BLADE	16	18	
07	0511014339	1-5/8" 2.8" NUT LOCK	04	04	
08	0503010232	5/8" X 1.3/4" BOLT	04	04	
09	0503010027	5/8" SPRING WASHER	04	04	
10	0503012412	5/8 UNC SELF LOCKING NUT	04	04	
11	0511040034	3/4" X 3-1/4" BOLT ASSY	12	12	
11A	0501017303	3/4" X 3-1/4" BOLT	12	12	
11B	0501010949	3/4" SQUARE WASHER	12	12	
11C	0503010014	3/4" NUT	24	24	
11D	0501010322	FLAT WASHER	12	12	



Item	Code	Description	See page	QT
01	0501059734	225 OSCILLATING BEARING		01
01A	0502020691	AGRICULTURAL BEARING BOX		01
01B	0503010856	OIL PLUG		02
01C	0503010005	32212 ROLLER BEARING		02
01D	0503030027	DUO-CONE SEAL		02
01E	0502020161	WEAR PLATE BEARING		01
01F	0503010237	3/8" X 1" BOLT		06
01G	0503011443	3/8" SPRING WASHER		06
01H	0502040240	INNER FLANGE		01
01I	0502040239	OUTER FLANGE		01
01J	0503030030	5.6" X 4.4" X 0.01" GASKET		01
01K	0503030685	5.5" X 4.4" X 0.003" GASKET		01
01L	0502040287	SEAL RETAINER		02
01M	0502010899	AXLE CM/DM		01
02	0503011401	1/2" X 3/4" BOLT		04
03	0503010019	1/2" SPRING WASHER		04
04	0503010762	SCREW 5/8 UNC X 3.1/2 CS G.5 ZN		02
05	0503010027	5/8" SPRING WASHER		02
06	0503010013	5/8" NUT		02
07	0502012626	CENTER OSCILLATING BEARING SUPPORT		01
08	0521067341	BEARING SWING COVER WITH ENHANCED		01
09	0503010014	3/4" NUT		04
10	0501010322	FLAT WASHER		02
11	0541014269	3/4 SQUARE WASHER		02
12	0501010950	3/4" X 3-1/2" BOLT		02







***CIVEMASA***

[www.civemasa.com.br](http://www.civemasa.com.br)



**Technical Publications | Elaboration and Revision**

LUIZ CANDIDO