

# PARTS CATALOGUE

## DISK HARROWS

**Code:**

0501092912

**Product:**

GACCR - 32/36/40D



**Series:**

S-0412

**Revision:**

00

**Revision Date:**

FEVEREIRO/2021




# PRODUCTS

<b>Code</b>	<b>Description</b>
0120700083	GACCR 32X28X6,0 DM PN 400/60 S-0412
0120700054	GACCR 36 X 26 X 6,00 DM PN 400/60 S-0412
0120700101	GACCR 36 X 26 X 6,00 DM PN 400/60 S-0412
0120700087	GACCR 40 X 28 X 6,0 DM PN 400/60 S-0412
0120700088	GACCR 40 X 28 X 7,5 DM PN 400/60 S-0412

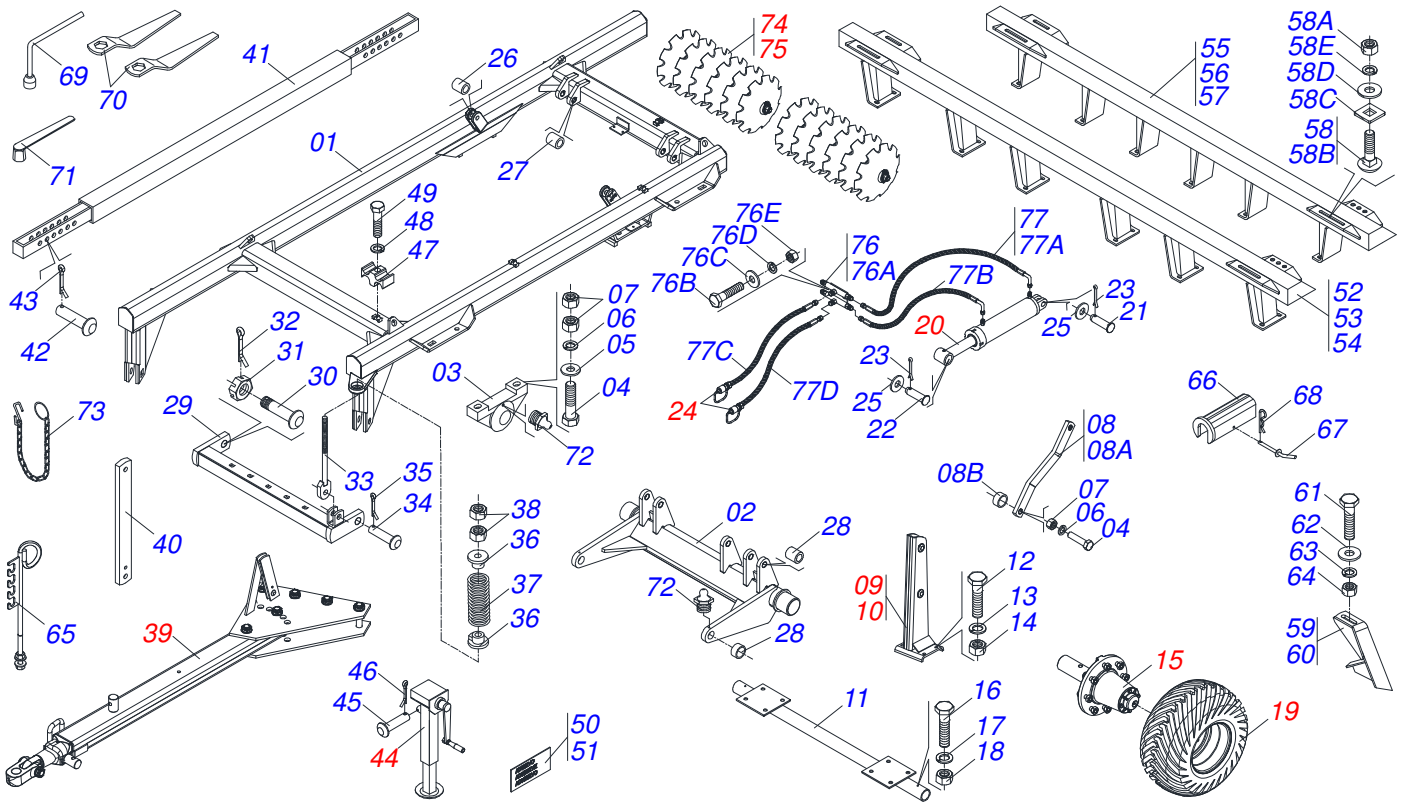
## **ATTENTION: IMPORTANT**

Civemasa reserves the right to improve and / or modify the technical features of its products, without obligation to do the same with those products already sold and without prior knowledge of the dealer or the consumer.



# INDEX

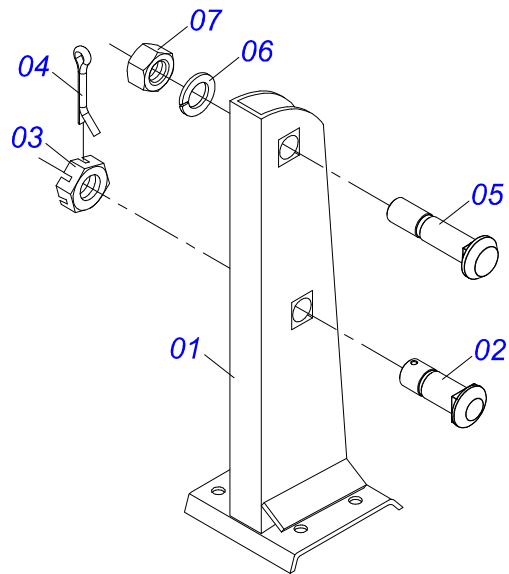
0909095580	ASSY FRAME - 32/36/40D	.....	1
0501054147	RIGHT SUSPENSION TOWER	.....	2
0501054148	LEFT SUSPENSION TOWER	.....	3
0501051885	CARRYING-WHEELS	.....	4
0503060102	WHEEL AND TIRE	.....	5
0511059181	HYDRAULIC CYLINDER 50,80X101,60X515X248	.....	6
0501053834	MALE QUICK COUPLER WITH CAP - 1/2 NPT	.....	7
0501046307	DRAWBAR ASSY	.....	8
0501042554	DRAWBAR JACK	.....	9
0501040257	3/4 X 1200 HOSE HOLDER A	.....	10
0909090120	GANG DISC 32	.....	11
0909095585	GANG DISC 36	.....	12
0909090122	GANG DISC 40	.....	13
0501043197	8.86" X 1-5/8" OIL BATH BEARING	.....	14



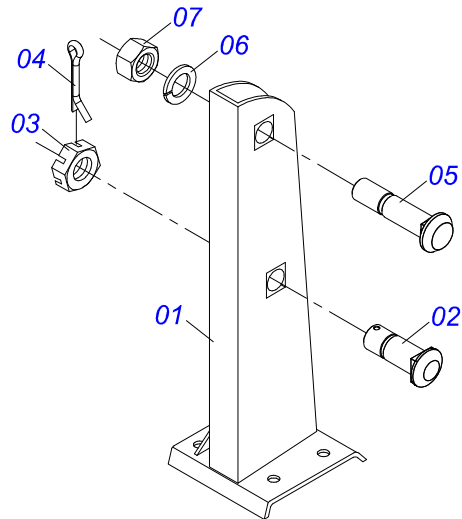
Item	Code	Description	See page	32	36	40
01	0521063229	FRAME		01	01	01
02	0501067244	WHEELS		01	01	01
03	0502010972	ARTICULACION BEARING		01	01	01
04	0503011432	BOLT		04	04	04
05	0501010065	1" SPRING WASHER		04	04	04
06	0503011438	SPRING WASHER		04	04	04
07	0501010059	1.5/8 NUT		04	04	04
08	0501110404	SUPPORT BAR		02	02	02
08A	0501019347	SUPPORT BAR		02	02	02
08B	0511019921	1.3" X 0.1" X 1" SLEEVE		04	04	04
09	0501054147	RIGHT SUSPENSION TOWER	2	01	01	01
10	0501054148	LEFT SUSPENSION TOWER	3	01	01	01
11	0511069623	WHEEL SISTEM FIXER		01	01	01
12	0501010125	3/4" X 2-1/2" BOLT		08	08	08
13	0503011442	3/4" SPRING WASHER		08	08	08
14	0503010014	3/4" NUT		08	08	08
15	0501051885	CARRYING-WHEELS	4	02	02	02
16	0503010706	SCREW 1/2 UNC X 4.1/2 C S G.5 ZN		02	02	02
17	0503010019	1/2" SPRING WASHER		02	02	02
18	0503010060	1/2" NUT		02	02	02
19	0503060102	WHEEL AND TIRE	5	02	02	02
20	0511059181	HYDRAULIC CYLINDER 50,80X101,60X515X248	6	02	02	02
21	0521010546	1.2" X 5.7" COUPLING SHAFT		02	02	02
22	0521810547	JUNCTION AXIS		02	02	02
23	0503010523	1/4" X 2" COTTERPIN		04	04	04
24	0501053834	MALE QUICK COUPLER WITH CAP - 1/2 NPT	7	02	02	02
25	0501017779	32 X 60 X 4.75 FLAT WASHER		04	04	04
26	0511019921	1.3" X 0.1" X 1" SLEEVE		05	05	05
27	0511019920	LUVA 32,7 X 38,8 X 25,40		08	08	08
28	0521010465	1.3" X 1.7" X 1.3" SLEEVE		02	02	02
29	0501067241	OFFSET BAR		01	01	01

Item	Code	Description	See page	32	36	40
30	0521817538	COUPLING SHAFT		02	02	02
31	0501011301	1.1/2 UNC 6FPP 2.5/16 NUT		02	02	02
32	0503010010	1/4" X 2.1/2" COTTERPIN		02	02	02
33	0501064699	SPRING ROD		01	01	01
34	0521810592	COUPLING SHAFT		01	01	01
35	0503010571	1/4" X 1.1/2 COTTERPIN		01	01	01
36	0502020394	SPRING SUPPORT		02	02	02
37	0503030441	12.7" X 5.7" X 0.5"SPRING		01	01	01
38	0501810087	NUT - 1.1/4 UNC 7FPP (SEXT.2) SA		02	02	02
39	0501046307	DRAWBAR ASSY	8	01	01	01
40	0511013526	STABILIZER BAR TOWER		01	01	01
41	0501067243	STABILIZER BAR		01	01	01
42	0521810575	COUPLING SHAFT		02	02	02
43	0503010571	1/4" X 1.1/2 COTTERPIN		02	02	02
44	0501042554	DRAWBAR JACK	9	01	01	01
45	0521010549	COUPLING SHAFT		01	01	01
46	0503010571	1/4" X 1.1/2 COTTERPIN		01	01	01
47	0502010477	HOSE CLAMP		05	05	05
48	0503010180	7/16" SPRING WASHER		05	05	05
49	0503011135	BOLT		05	05	05
50	0503033433	BADGE GACCR		01	01	01
51	0503034355	EMBLEM		01	01	01
52	0521065246	FRONT FRAME		01	00	01
53	0501064448	FRONT FRAME		00	01	00
54	0501063981	FRONT FRAME		00	00	01
55	0521065247	REAR FRAME		01	00	00
56	0501064449	REAR FRAME		00	01	00
57	0501063980	REAR FRAME		00	00	01
58	0501040877	C1" X 3-1/4" ASSY BOLT		08	08	08
58A	0501010059	1.5/8 NUT		08	08	08
58B	0501010171	PARAFUSO 1 UNC X 3.1/2 C S G.5		08	08	08
58C	0502012861	1" SQUARE WASHER		08	08	08
58D	0501010065	1" SPRING WASHER		08	08	08
58E	0503010012	1" SPRING WASHER		08	08	08
59	0501064168	REAR SCRAPER		09	10	11
60	0501064167	REAR SCRAPER		09	10	11
61	0503010740	BOLT 1/2 UNC X 2 CS G.5 ZN		36	46	52
62	0511017302	FLAT WASHER		72	92	104
63	0503010019	1/2" SPRING WASHER		36	46	52
64	0503010060	1/2" NUT		36	46	52
65	0501040257	3/4 X 1200 HOSE HOLDER A	10	01	01	01
66	0501066386	TRANSPORT LOCK 9.54"		02	02	02
67	0501068994	0.3" X 3.1"LOCK PIN		02	02	02
68	0503030168	HAIR PIN		02	02	02
69	0501061617	1" GANG BOLT WRENCH		01	01	01
70	0501011431	1-3/4" GANG BOLT WRENCH		02	02	02
71	0501061609	3/4" WRENCH CABLE CYLINDRICAL		01	01	01
72	0503010002	1800 GREASE FITTING		02	02	02
73	0503013150	1300 X 3/8 CHAIN		01	01	01
74	0909090120	GANG DISC 32	11	01	00	00
75	0909095585	GANG DISC 36	12	00	01	00
75.	0909090122	GANG DISC 40	13	00	00	01
76	0501051611	CONNECTION ASSY		01	01	01
76A	0501068706	DOUBLE CONNECTION		01	01	01
76B	0503010237	3/8" X 1" BOLT		02	02	02
76C	0501010984	FLAT WASHER		02	02	02
76D	0503010025	3/8" SPRING WASHER		02	02	02
76E	0503010026	3/8" NUT		02	02	02
77	0501051043	HOSE ASSY		01	01	01

<b>Item</b>	<b>Code</b>	<b>Description</b>	<b>See page</b>	<b>32</b>	<b>36</b>	<b>40</b>
77A	0501080054	3/8" X 17" TR-TC HOSE ASSY		02	02	02
77B	0501080413	3/8" X 27" TR-TC HOSE		02	02	02
77C	0501080458	3/8" X 315" TC-TM HOSE ASSY		01	01	01
77D	0501080459	3/8" X 322" TC-TM HOSE ASSY		01	01	01
77E	0503033158	PLASTIC BAG		01	01	01

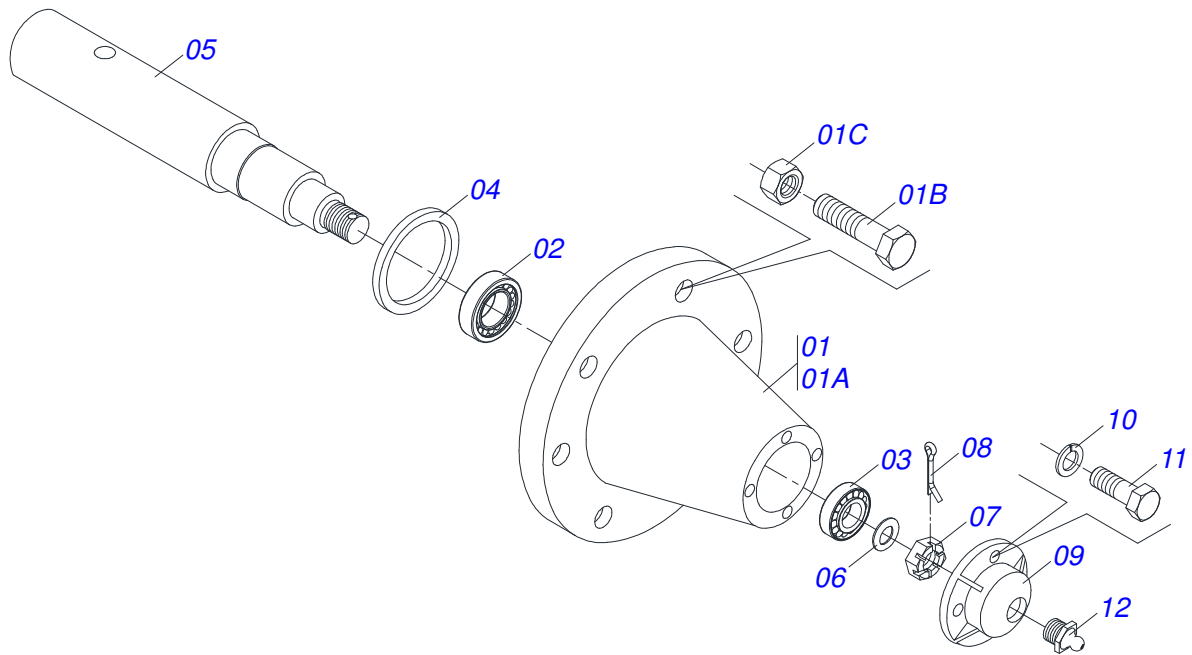


Item	Code	Description	See page	QT
01	0501068260	RIGHT SUSPENSION TOWER		01
02	0511018006	1-1/2 X 4.13" U BOLT OF SUSP TOWER		01
03	0501011301	1.1/2 UNC 6FPP 2.5/16 NUT		01
04	0503010010	1/4" X 2.1/2" COTTERPIN		01
05	0511017974	1 U BOLT OF THE SUSPENSION TOWER		01
06	0503010012	1" SPRING WASHER		01
07	0501010059	1.5/8 NUT		01

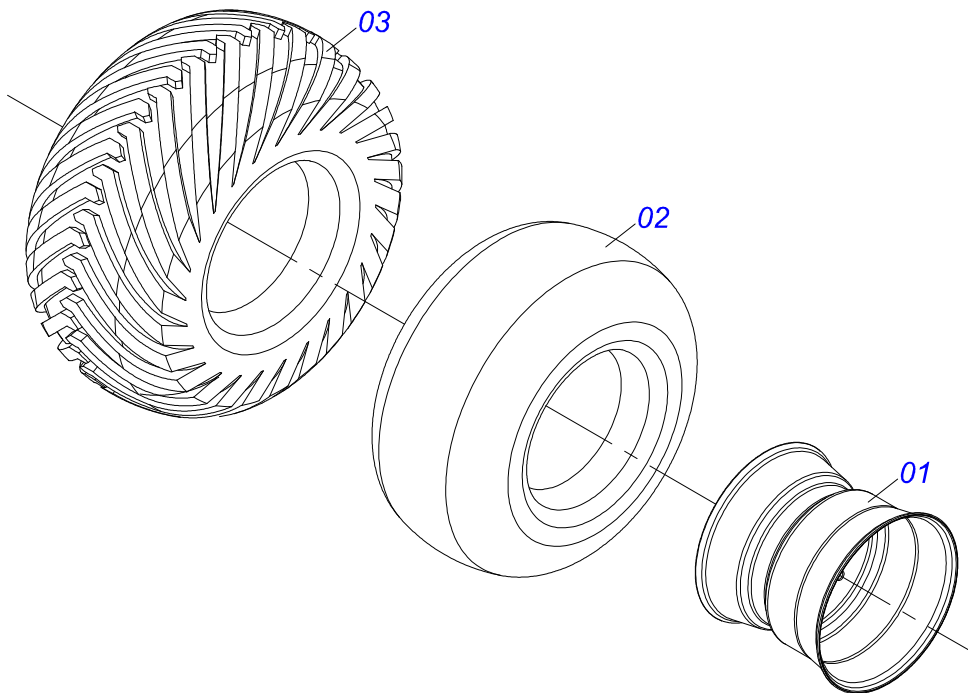


Item	Code	Description	See page	QT
01	0501068261	LEFT SUSPENSION TOWER		01
02	0511018006	1-1/2 X 4.13" U BOLT OF SUSP TOWER		01
03	0501011301	1.1/2 UNC 6FPP 2.5/16 NUT		01
04	0503010010	1/4" X 2.1/2" COTTERPIN		01
05	0511017974	1 U BOLT OF THE SUSPENSION TOWER		01
06	0503010012	1" SPRING WASHER		01
07	0501010059	1.5/8 NUT		01

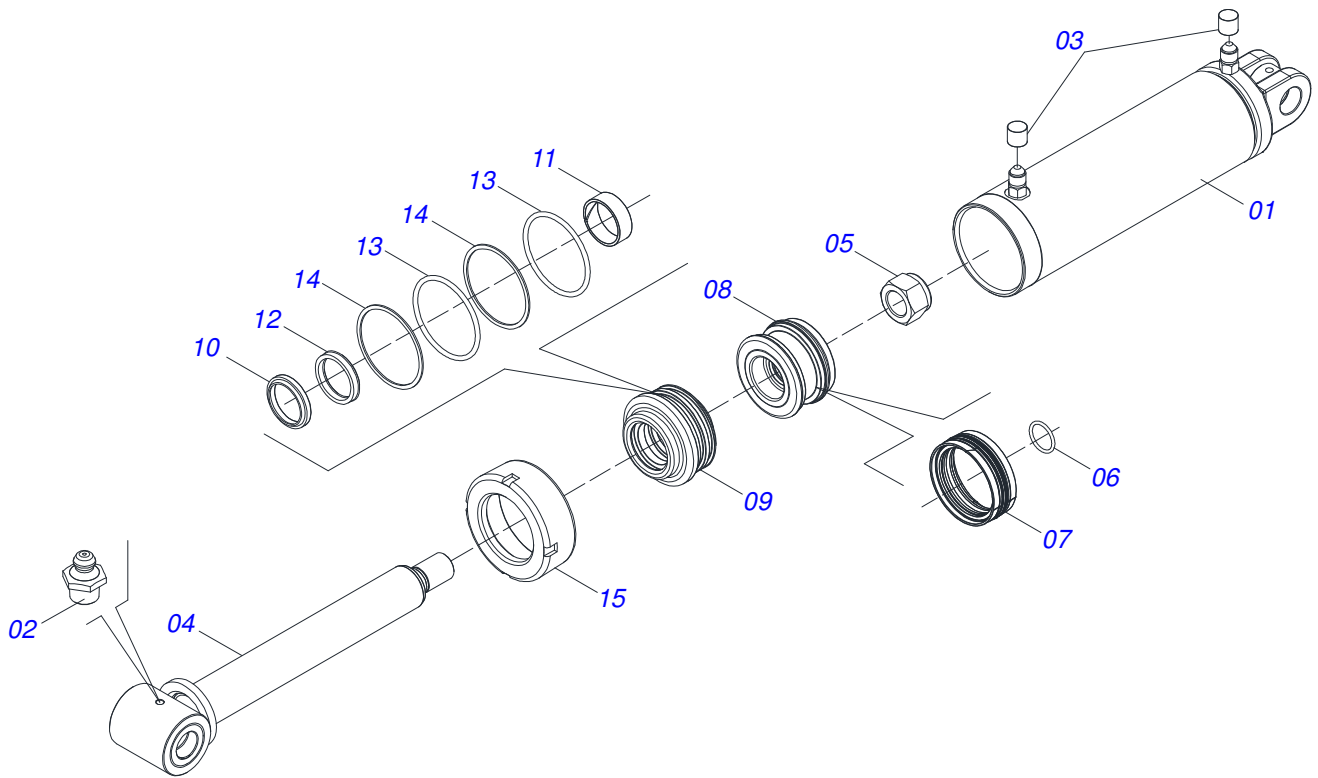




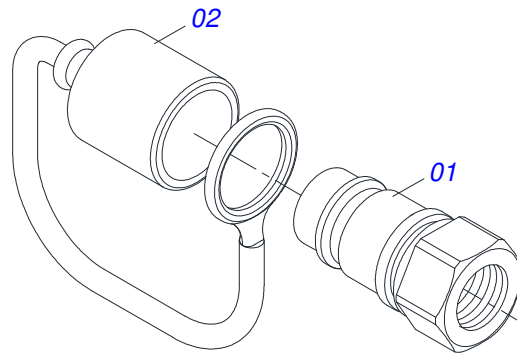
Item	Code	Description	See page	QT
01	0501110738	CARRYING WHEEL HUB		01
01A	0502012260	CAIXA RODADO TRANSPORTE		01
01B	0503010064	5/8 UNF CONIC NUT		08
01C	0501010186	WHEEL SCREW 5/8UNF X 2.1/8CR		08
02	0503011156	ROLAMENTO 2780/2720 IMP		01
03	0503010008	ROLAMENTO 3780/37203		01
04	0503013314	RETENTOR 5166-GB 63,5 X 110 X 13 ARCA		01
05	0511012494	SPINDLE		01
06	0511012492	ARRUELA LISA 28 X 46 X 6,30		01
07	0503030009	1" CASTLE NUT		01
08	0503010018	5/32 X 1-1/2 COTTERPIN		01
09	0502020591	PROTECCION COVER		01
10	0503011444	SPRING WASHER		04
11	0503010358	5/16" X 5/8" BOLT		04
12	0503010002	1800 GREASE FITTING		01



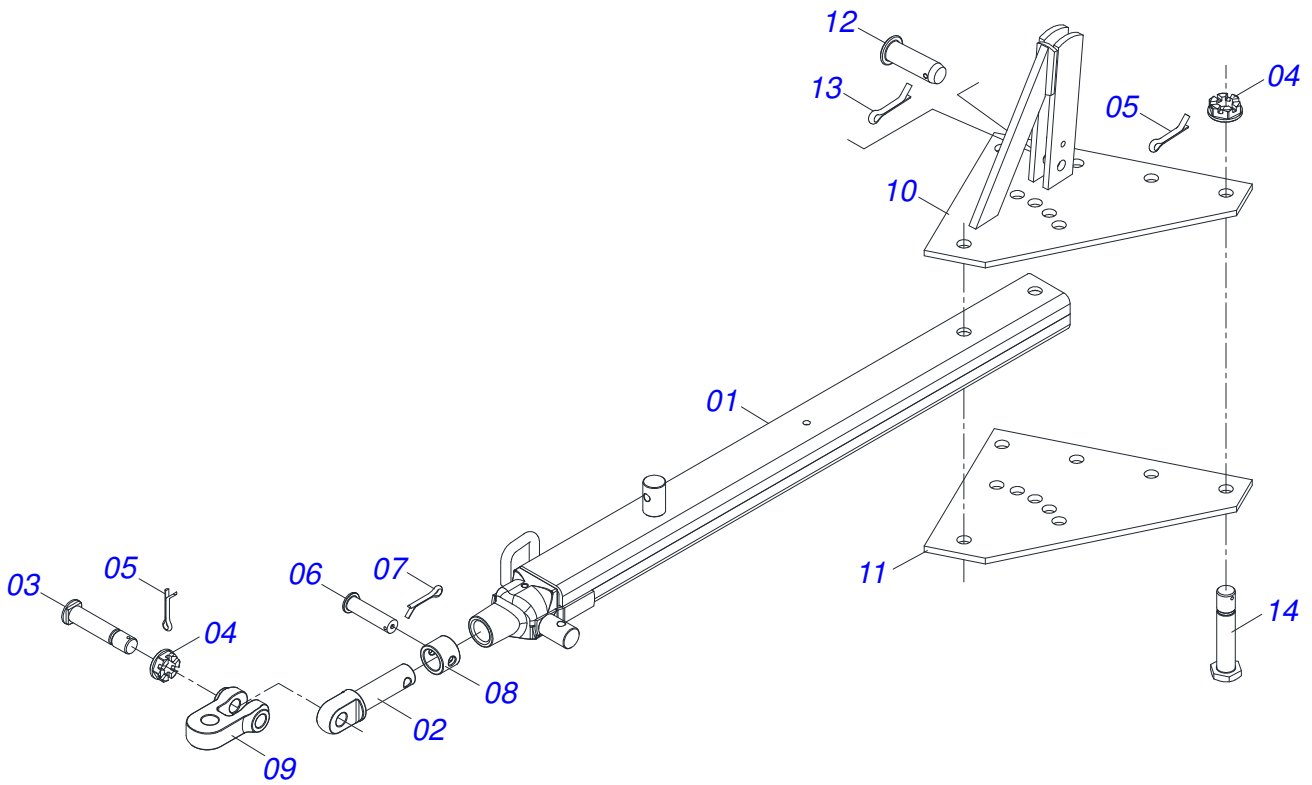
Item	Code	Description	See page	QT
001	0501069483	WHEEL		01
002	0503012112	400/60 - 15.5 TR 15 INNER TIRE		01
003	0503013119	CANVAS TIRE		01



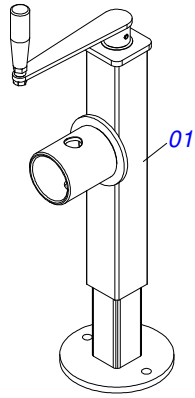
Item	Code	Description	See page	QT
001	0501067256	4" X 16" CYLINDER CASE		01
002	0503010002	1800 GREASE FITTING		02
003	0503030385	CYLINDER PLUG N-002		02
004	0521066345	50,80 X 452 TURNBUCLE		01
005	0503010817	1.1/4" SELF LOCKING NUT		01
006	0503010345	2-218 N 3006-9B O'RING		01
007	0503015633	SELEMASTER SEALING		01
008	0502012842	50,80 X 101,60 PISTON		01
009	0581010678	50,80 X 101 RING SUPPORT		01
010	0503015636	SCRAPER SEAL		01
011	0503018025	RING GUIDE		01
012	0503018026	1870-2000-375 B GASKET		01
013	0503010338	2-342 N 3006-9B O'RING		02
014	0503011061	8-342 BACK-UP RING		02
015	0502012822	101.60 END CAP		01



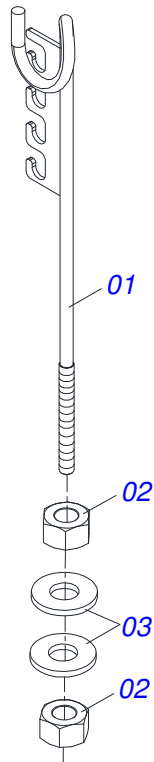
Item	Code	Description	See page	QT
01	0503011627	MALE QUICK COUPLER AGR 1/2 NPT		01
02	0503011882	MALE QUICK COUPLER CAP		01



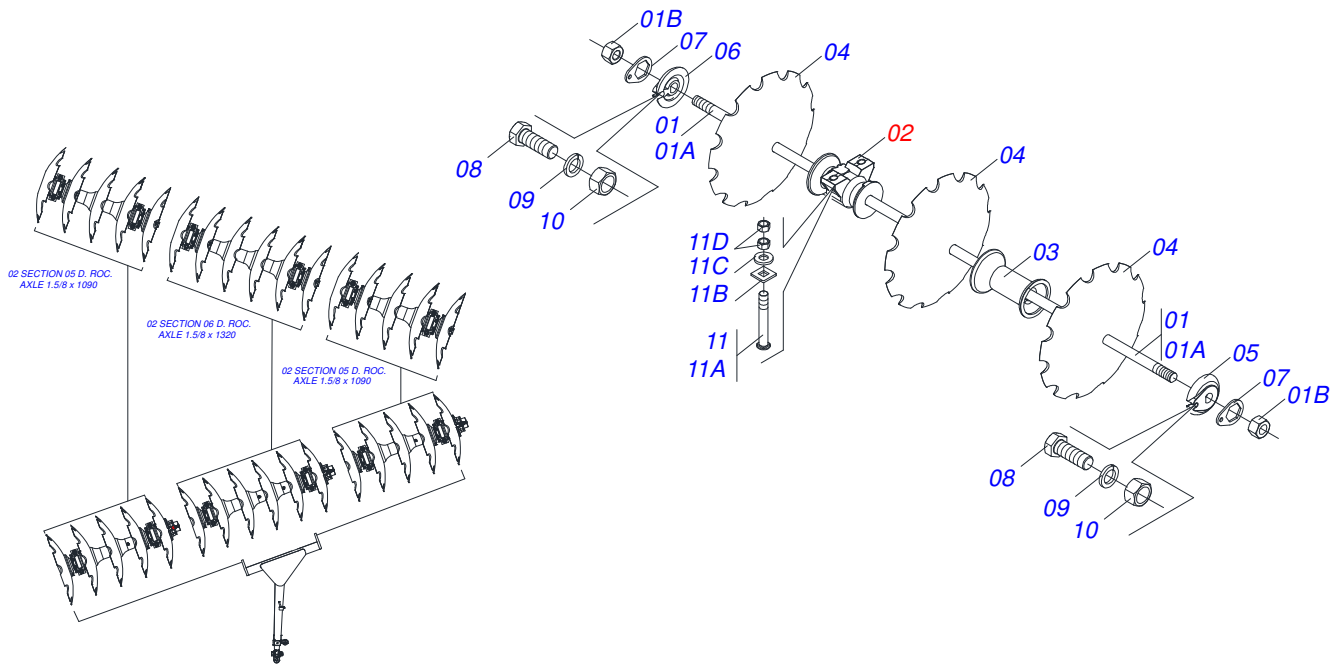
Item	Code	Description	See page	QT
01	0501069323	DRAWBAR ASSY		01
02	1902040223	PIN HITCH		01
03	0521012545	COUPLING SHAFT		01
04	0501011301	1.1/2 UNC 6FPP 2.5/16 NUT		07
05	0503010010	1/4" X 2.1/2" COTTERPIN		07
06	0511014902	COUPLING SHAFT		01
07	0503010571	1/4" X 1.1/2 COTTERPIN		01
08	1902040327	LOCK SLEEVE		01
09	1902040732	COUPLING		01
10	0501067250	UPPER PLATE WITH SUPPORT		01
11	0511016137	UPPER /LOWER PLATE		01
12	0521010779	31.75 X 95 COUPLING SHAFT		01
13	0503010523	1/4" X 2" COTTERPIN		01
14	0501016419	1-1/2" X 7.5" BOLT		06



Item	Code	Description	See page	QT
01	0503062157	HEADER JACK		01

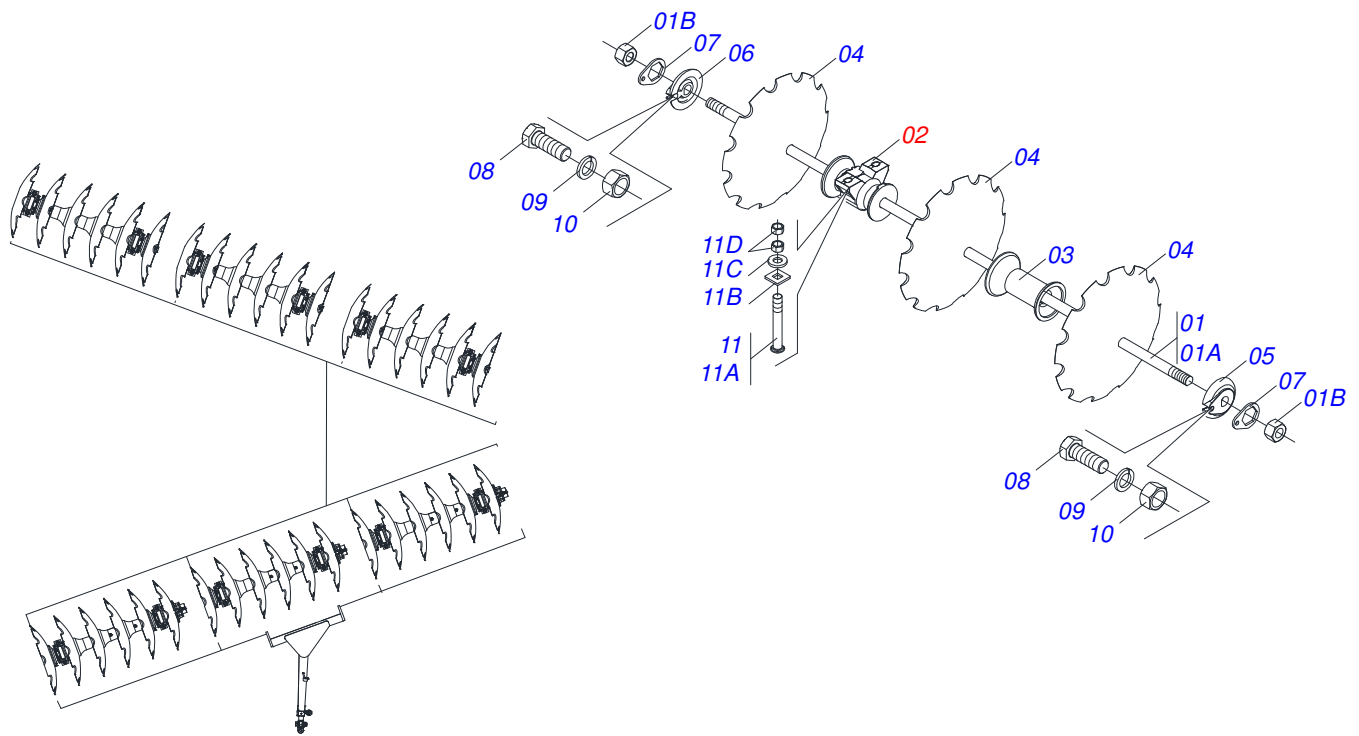


Item	Code	Description	See page	QT
01	0511067334	HOSE SOPPORT ASSY		01
02	0503010014	3/4" NUT		02
03	0501010322	FLAT WASHER		02

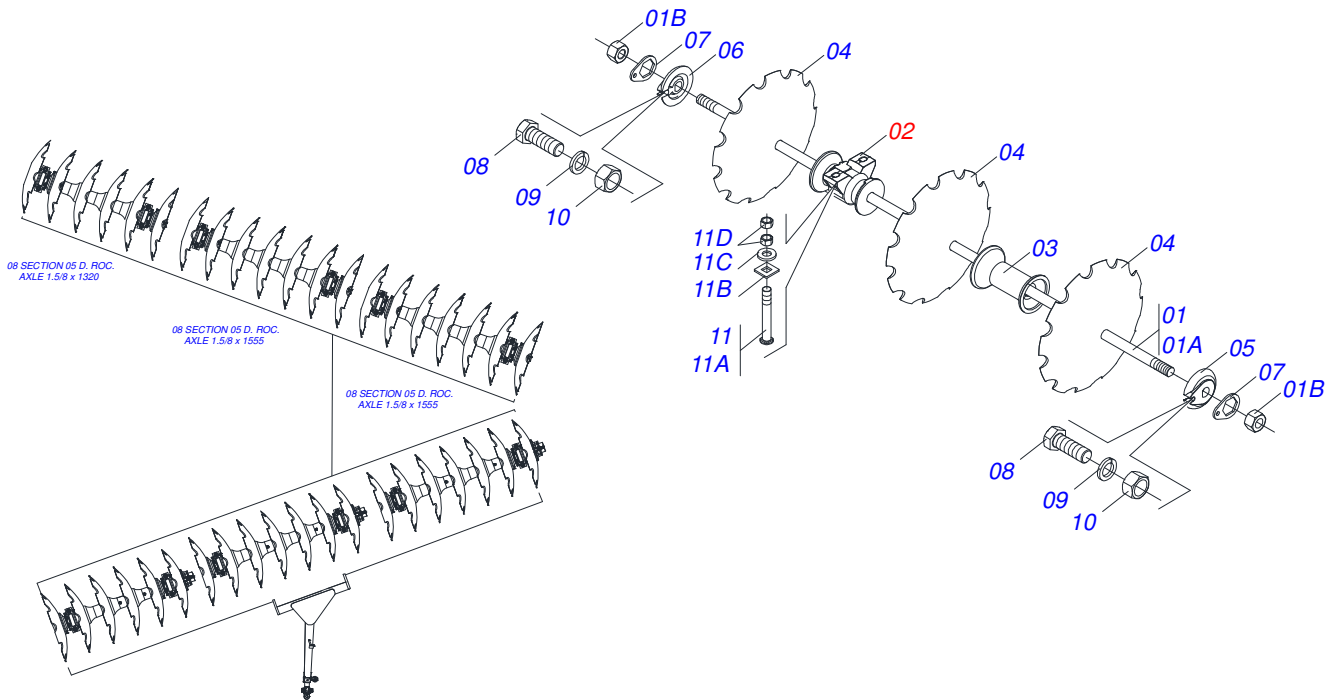


Item	Code	Description	See page	QT
01	0501046853	1-5/8" X 43" AXLE WITH NUTS 2-3/4		04
01.	0501046855	1-5/8" X 52" AXLE WITH NUTS 2-3/4		02
01A	0501015029	1-5/8" X 43" AXLE		04
01A.	0501015237	1-5/8" X 52" AXLE		01
01B	0502040640	1.5/8" 2.3/4" NUT		02
02	0501043197	8.86" X 1-5/8" OIL BATH BEARING	14	12
03	0502010626	8.9" 1-5/8" SPACER		14
04	0602037186	DR28X7,5 C108AF02FR1.11/16 10R TATU		32
04.	0602033005	26" X 0.2" NOTCHED DISC BLADE		32
05	0502011048	1-5/8" EXTERNAL AXLE WASHER		06
06	0502011047	1-5/8" INNER AXLE WASHER		06
07	0511014339	1-5/8" 2.8" NUT LOCK		12
08	0503010232	5/8" X 1.3/4" BOLT		12
09	0503010027	5/8" SPRING WASHER		12
10	0503010013	5/8" NUT		12
11	0511040034	3/4" X 3-1/4" BOLT ASSY		24
11A	0501017303	3/4" X 3-1/4" BOLT		24
11B	0501010949	3/4" SQUARE WASHER		24
11C	0501010322	FLAT WASHER		24
11D	0503010014	3/4" NUT		48

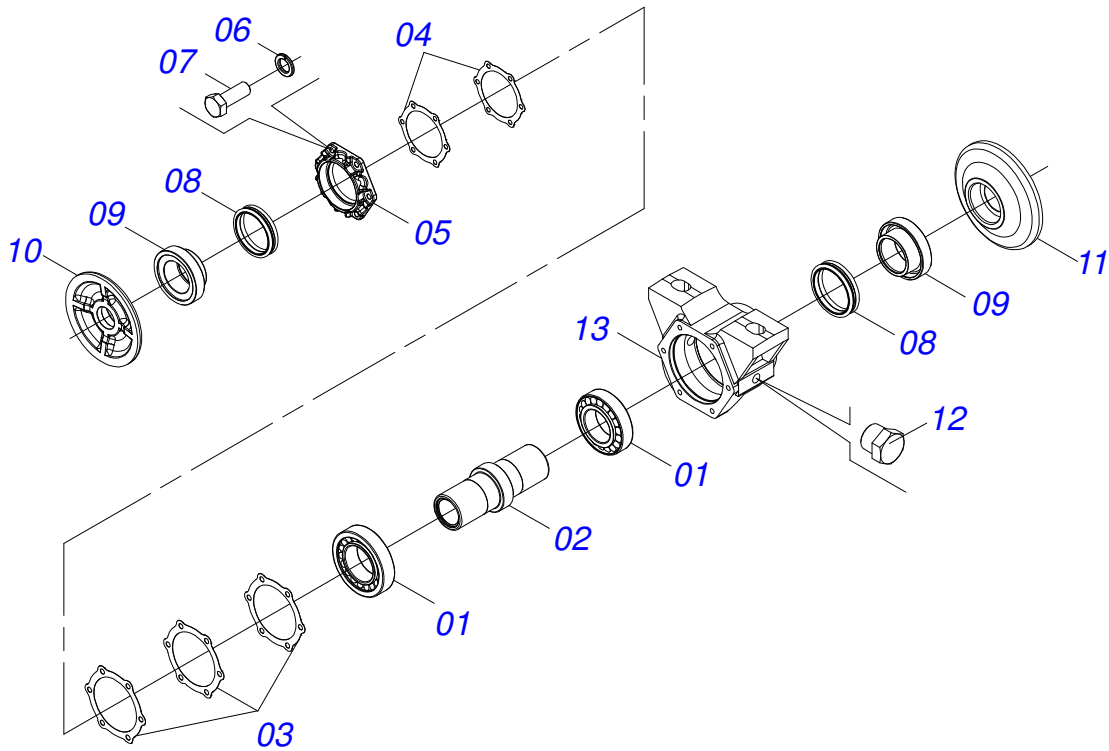




Item	Code	Description	See page	QT
01	0501046855	1-5/8" X 52" AXLE WITH NUTS 2-3/4		06
01A	0501015237	1-5/8" X 52" AXLE		06
01B	0502040640	1.5/8" 2.3/4" NUT		16
02	0501043197	8.86" X 1-5/8" OIL BATH BEARING	14	12
03	0502010626	8.9" 1-5/8" SPACER		18
04	0602030005	24" X 0.2" NOTCHED DISC BLADE		36
04.	0602033005	26" X 0.2" NOTCHED DISC BLADE		36
05	0502011048	1-5/8" EXTERNAL AXLE WASHER		06
06	0502011047	1-5/8" INNER AXLE WASHER		06
07	0511014339	1-5/8" 2.8" NUT LOCK		12
08	0503010232	5/8" X 1.3/4" BOLT		12
09	0503010027	5/8" SPRING WASHER		12
10	0503010013	5/8" NUT		12
11	0511040034	3/4" X 3-1/4" BOLT ASSY		24
11A	0501017303	3/4" X 3-1/4" BOLT		24
11B	0501010949	3/4" SQUARE WASHER		24
11C	0501010322	FLAT WASHER		24
11D	0503010014	3/4" NUT		48



Item	Code	Description	See page	QT
01	0501046855	1-5/8" X 52" AXLE WITH NUTS 2-3/4		02
01.	0501046857	1-5/8" X 61" AXLE WITH NUTS 2-3/4"		04
01A	0501015237	1-5/8" X 52" AXLE		02
01A.	0501015632	1-5/8" X 61" AXLE		04
01B	0502040640	1.5/8" 2.3/4" NUT		16
02	0501043197	8.86" X 1-5/8" OIL BATH BEARING	14	12
03	0502010626	8.9" 1-5/8" SPACER		22
04	0602030005	24" X 0.2" NOTCHED DISC BLADE		40
04.	0602037186	DR28X7,5 C108AF02FR1.11/16 10R TATU		40
05	0502011048	1-5/8" EXTERNAL AXLE WASHER		06
06	0502011047	1-5/8" INNER AXLE WASHER		06
07	0511014339	1-5/8" 2.8" NUT LOCK		12
08	0503010232	5/8" X 1.3/4" BOLT		12
09	0503010027	5/8" SPRING WASHER		12
10	0503010013	5/8" NUT		12
11	0511040034	3/4" X 3-1/4" BOLT ASSY		24
11A	0501017303	3/4" X 3-1/4" BOLT		24
11B	0501010949	3/4" SQUARE WASHER		24
11C	0501010322	FLAT WASHER		24
11D	0503010014	3/4" NUT		48



Item	Code	Description	See page	QT
001	0503010005	32212 ROLLER BEARING		02
002	0502010899	AXLE CM/DM		01
003	0503030030	5.6" X 4.4" X 0.01" GASKET		03
004	0503030685	5.5" X 4.4" X 0.003" GASKET		02
005	0502020161	WEAR PLATE BEARING		01
006	0503011443	3/8" SPRING WASHER		06
007	0503010237	3/8" X 1" BOLT		06
008	0503030027	DUO-CONE SEAL		02
009	0502040287	SEAL RETAINER		02
010	0502040239	OUTER FLANGE		01
011	0502040240	INNER FLANGE		01
012	0503010856	OIL PLUG		02
013	0502020481	HOUSING DM		01





***CIVEMASA***

[www.civemasa.com.br](http://www.civemasa.com.br)



**Technical Publications | Elaboration and Revision**

LUIZ CANDIDO