

DISK HARROWS

GACCR - 24D

Code: 0501092888
Series: S-1091
Revision: 00
Revision Date: FEVEREIRO/2021

PARTS CATALOGUE

CIVEMASA

A solid orange horizontal bar located at the top left of the page.

PRODUCTS

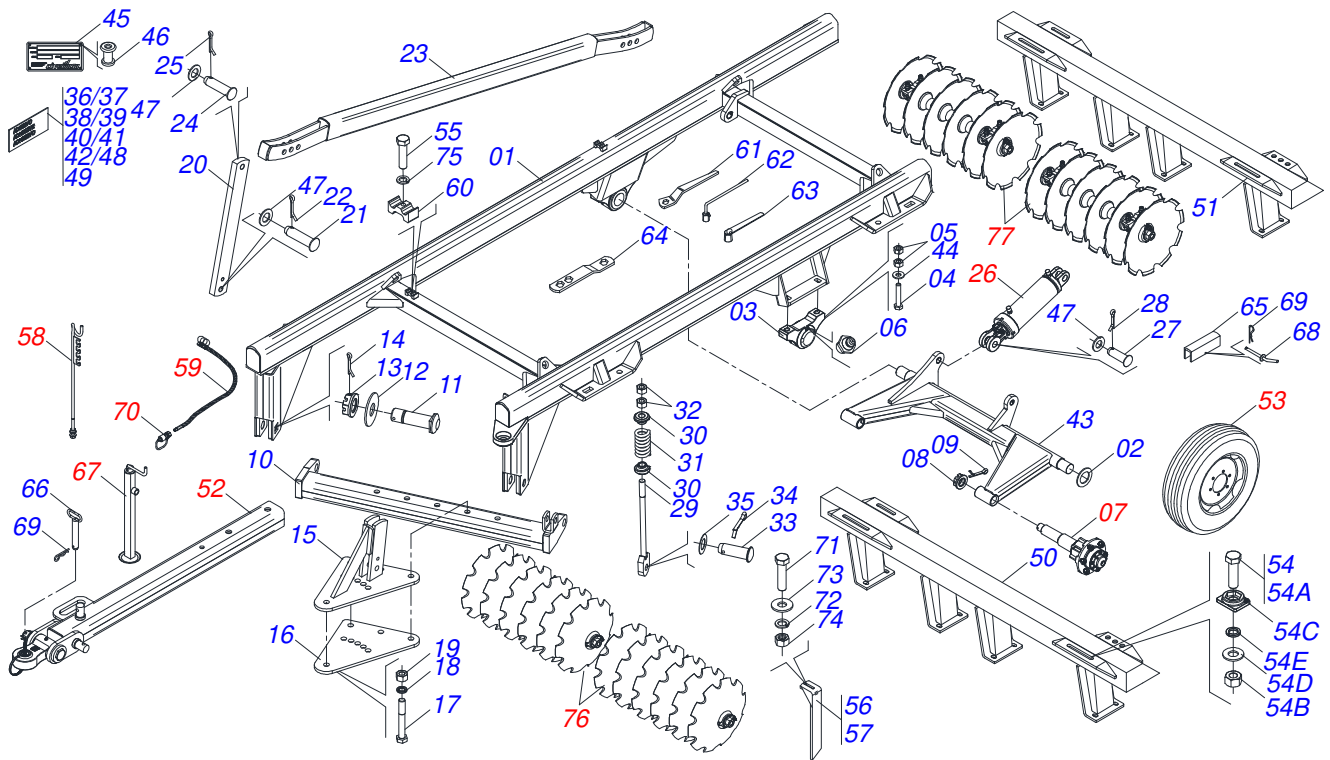
Code	Description
0120700018C	GACCR 24 X 26 X 6,0 DR EXP DES 61310166 S-1091
0120700018	GACCR 24 X 26 X 6,0 R DESM 61310166
0120700020	GACCR 24 X 26 X 6,0 R DESM 61310184

ATTENTION: IMPORTANT

Civemasa reserves the right to improve and / or modify the technical features of its products, without obligation to do the same with those products already sold and without prior knowledge of the dealer or the consumer.

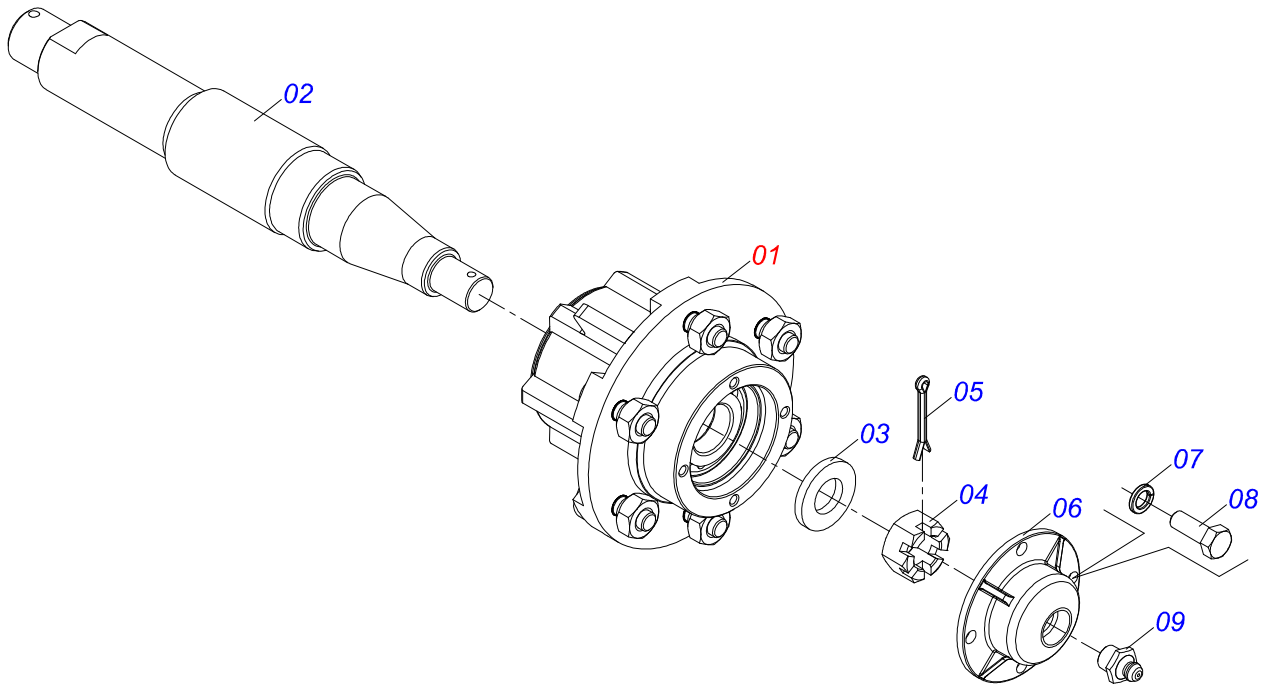
INDEX

0909095543	ASSY FRAME	1
0501051634	TSTUB SHAFT & HUB ASSY	2
0501051142	CARRYING WHEEL HUB	3
0511059180	HYDRAULIC CYLINDER	4
0521048502	ASSY TRACTION BAR	5
0521057520	HITCH ASSY	6
0503060091	L29.5"X0.63"-10L WHEEL AND	7
0501040257	3/4 X 1200 HOSE HOLDER A	8
0503011360	HOSE KIT	9
0501053834	MALE QUICK COUPLER WITH CAP - 1/2 NPT	10
0909095544	FRONT GANG DISC 24 DISC	11
0909095545	REAR GANG DISC 24 DISC	12
0501046923	9"X 1-5/8" OIL BATH BEARING	13

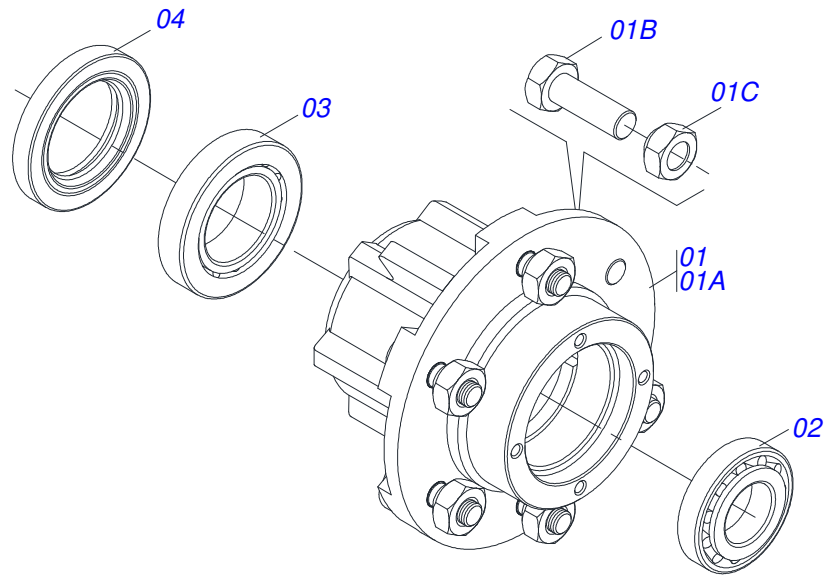


Item	Code	Description	See page	QT
01	0521062612	FRAME		01
02	0501817579	FLAT WASHER 63,50X102X4,75		02
03	0501110856	ARTICULACION BEARING		02
04	0503810797	BOLT		04
05	0503810014	3/4" NUT		08
06	0503010002	1800 GREASE FITTING		02
07	0501051634	TSTUB SHAFT & HUB ASSY	2	02
08	0501811301	CASTLE NUT		02
09	0503010010	1/4" X 2.1/2" COTTERPIN		02
10	0501066262	OFFSET BAR		01
11	0521817538	COUPLING SHAFT		02
12	0511819880	FLAT WASHER		02
13	0501811301	CASTLE NUT		02
14	0503010010	1/4" X 2.1/2" COTTERPIN		02
15	0501066235	UPPER PLATE WITH SUPPORT		01
16	0511013000	UPPER /LOWER PLATE		01
17	0501810334	SCREW 1 UNC X 7 C S G.5		05
18	0503011438	SPRING WASHER		05
19	0501810059	1" NUT		05
20	0511012972	TSTABILIZER BAR TOWER		01
21	0521810576	COUPLING SHAFT		01
22	0503010571	1/4" X 1.1/2 COTTERPIN		01
23	0511066932	CSTABILIZER BARCOTTERPIN		01
24	0521810575	COUPLING SHAFT		02
25	0503010571	1/4" X 1.1/2 COTTERPIN		02
26	0511059180	HYDRAULIC CYLINDER	4	01
27	0521812538	COUPLING SHAFT		02
28	0503010523	1/4" X 2" COTTERPIN		02
29	0501064698	SPRING ROD		01
30	0502020392	SPRING SUPPORT		02
31	0503030441	12.7" X 5.7" X 0.5"SPRING		01

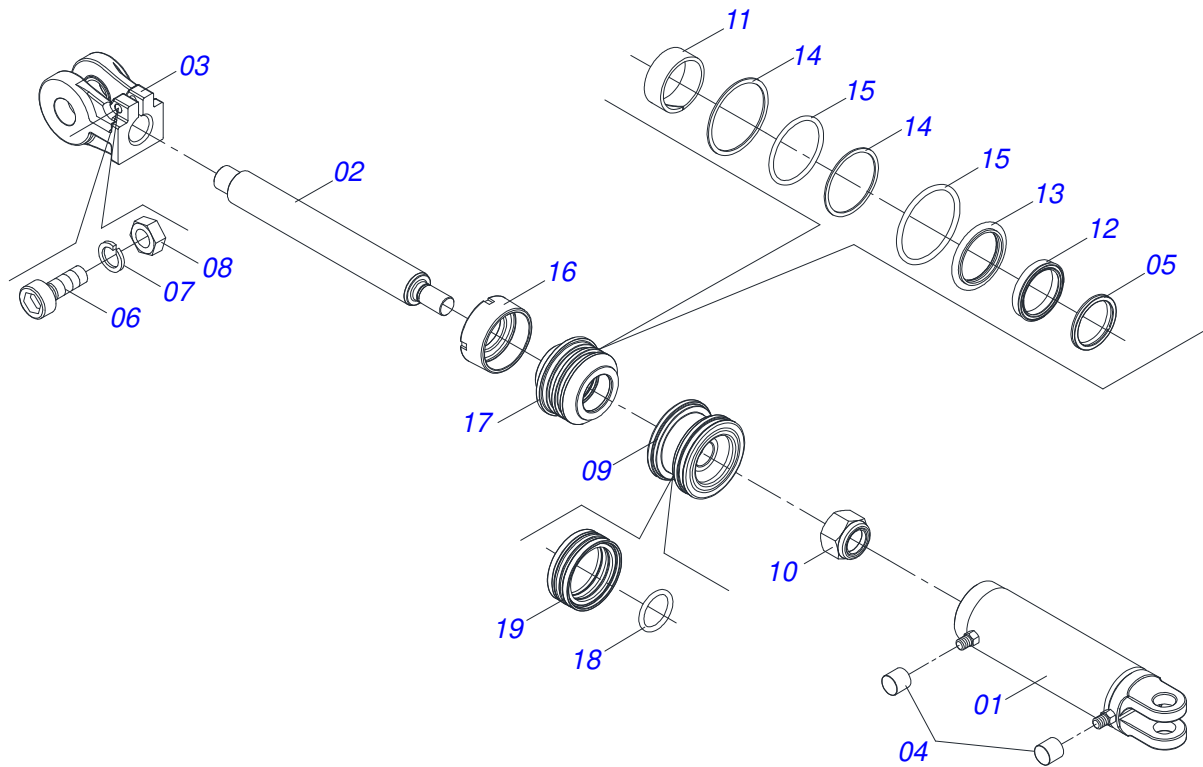
Item	Code	Description	See page	QT
32	0501810059	1" NUT		02
33	0521810592	COUPLING SHAFT		01
34	0503010571	1/4" X 1.1/2 COTTERPIN		01
35	0561011883	FLAT WASHER		01
36	0503034078	LIFTING POINTS DECAL		04
37	0503033647	APPROVED BADGE		01
38	0503031428	READ MANUAL DECAL		01
39	0503031827	LUBRICATE AND RETIGHTEN DAILY DECAL		01
40	0503031738	ADHESIVE LABEL		01
41	0503033038	DANGER SIGN		01
42	0503033433	BADGE GACCR		02
43	0501065518	CARRYING-WHEELS		01
44	0501810322	FLAT WASHER		04
45	0503034004	ALUMINUM IDENTIFICATION LABEL		01
46	0503010001	3.2 X 5.5 RIVET		04
47	0501011445	FLAT WASHER		03
48	0503031739	ADHESIVE LABEL		01
49	0503034355	EMBLEM		02
50	0521062589	FRONT FRAME 24		01
51	0521065602	REAR FRAME 24		01
52	0521048502	ASSY TRACTION BAR	5	01
53	0503060091	L29.5"X0.63"-10L WHEEL AND	7	02
54	0501040877	C1" X 3-1/4" ASSY BOLT		08
54A	0501010171	BOLT 1 UNC X 3.1/2 C S G.5		01
54B	0501010059	1.5/8 NUT		01
54C	0502012861	1" SQUARE WASHER		01
54D	0501010065	1" SPRING WASHER		01
54E	0503010012	1" SPRING WASHER		01
55	0503012555	SCREW 7/16 UNC X 2 CS RT G.7 ZN		02
56	0501064168	REAR SCRAPER		07
57	0501064167	REAR SCRAPER		07
58	0501040257	3/4 X 1200 HOSE HOLDER A	8	01
59	0503011360	HOSE KIT	9	01
60	0502012702	BODY SUPPORT CLAMP		02
61	0501011431	1-3/4" GANG BOLT WRENCH		02
62	0501061617	1" GANG BOLT WRENCH		01
63	0503016140	3/4" WRENCH CABLE CYLINDRICAL		01
64	0511018451	5/8" X 3/4" X 1" UNIVERSAL		01
65	0511010839	TRANSPORT LOCK 7.9" X 2.1" X 0.4"		01
66	0501069080	COUPLING SHAFT		01
67	0503062157	HEADER JACK		01
68	0501068994	0.3" X 3.1"LOCK PIN		01
69	0503030168	HAIR PIN		02
70	0501053834	MALE QUICK COUPLER WITH CAP - 1/2 NPT	10	02
71	0503010740	BOLT 1/2 UNC X 2 CS G.5 ZN		14
72	0503010019	1/2" SPRING WASHER		14
73	0511017302	FLAT WASHER		14
74	0503010060	1/2" NUT		14
75	0503010180	7/16" SPRING WASHER		02
76	0909095544	FRONT GANG DISC 24 DISC	11	01
77	0909095545	REAR GANG DISC 24 DISC	12	01



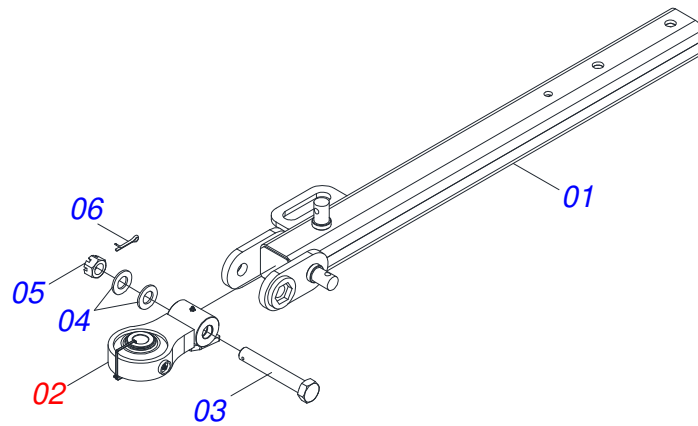
Item	Code	Description	See page	QT
01	0501051142	CARRYING WHEEL HUB	3	01
02	0521010821	2.5" X 16.5" AXLE		01
03	0501016545	FLAT WASHER		01
04	0503030009	1" CASTLE NUT		01
05	0503010018	5/32 X 1-1/2 COTTERPIN		01
06	0502020591	PROTECCION COVER		01
07	0503011444	SPRING WASHER		04
08	0503010358	5/16" X 5/8" BOLT		04
09	0503010002	1800 GREASE FITTING		01



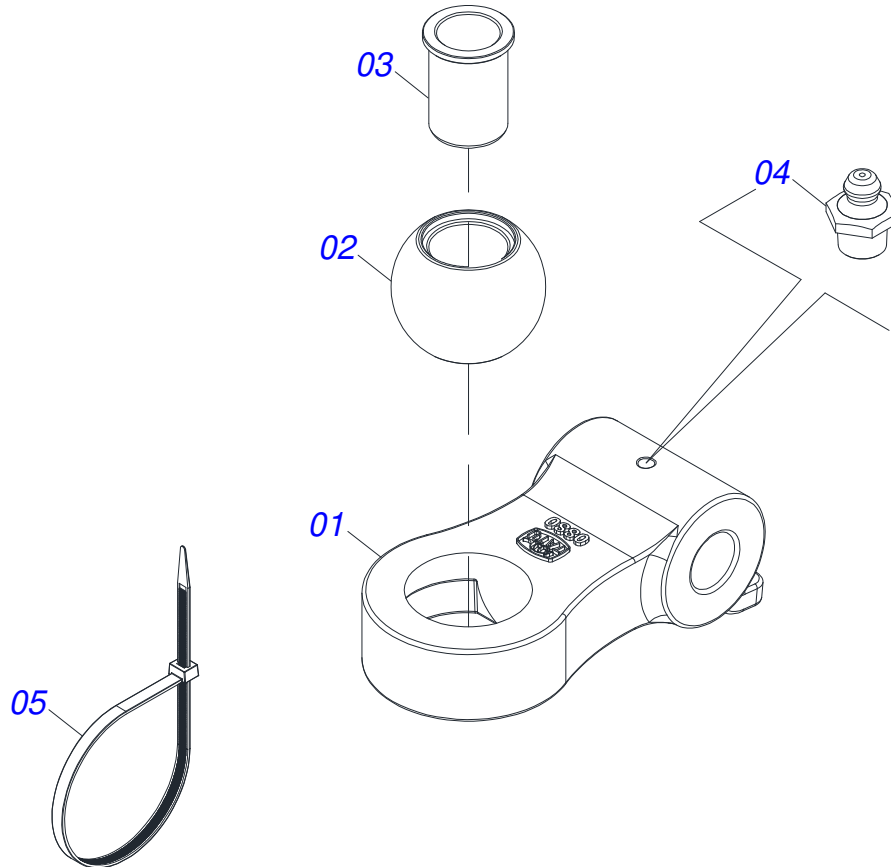
Item	Code	Description	See page	QT
01	0501110728	WHEEL HUB		01
01A	0502011121	CARRYING WHEEL HUB		01
01B	0501010127	9/16" X 1-7/8" LUG BOLT		06
01C	0503010035	9/16" CONIC NUT		06
02	0503010037	30207 ROLLER BEARING		01
03	0503010006	32210 ROLLER BEARING		01
04	0503012928	SEAL		01



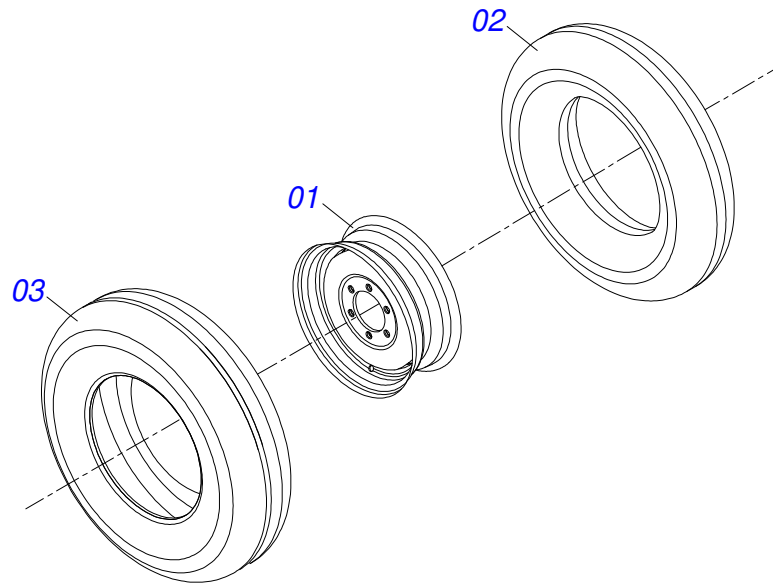
Item	Code	Description	See page	QT
001	0511070658	CYLINDER CASE	01	01
002	0571019958	HYDRAULIC CYLINDER TURNBUCKLE	01	01
003	0502040747	32.54 CLEVIS CLAMP	01	01
004	0503030385	CYLINDER PLUG N-002	02	01
005	0503010039	D-2000 SCRAPER RING	01	01
006	0503011094	3/8" X 2" BOLT	01	01
007	0503011443	3/8" SPRING WASHER	01	01
008	0503010026	3/8" NUT	01	01
009	0502012820	50.80 X 101.60 PISTON	01	01
010	0503010817	1.1/4" SELF LOCKING NUT	01	01
011	0503018025	RING GUIDE	01	01
012	0503018026	1870-2000-375 B GASKET	01	01
013	0503018024	RING BS	01	01
014	0503010338	2-342 N 3006-9B O'RING	02	02
015	0503011061	8-342 BACK-UP RING	02	02
016	0502012822	101.60 END CAP	01	01
017	0502012821	50.80 X 101.60 RING SUPPORT	01	01
018	0503018029	2-217 O'RING	01	01
019	0503015633	SELEMASTER SEALING	01	01



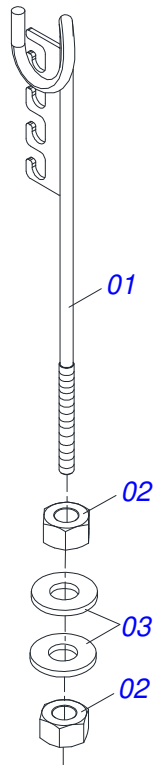
Item	Code	Description	See page	QT
01	0521069165	DRAWBAR ASSY		01
02	0521057520	HITCH ASSY	6	01
03	0581015973	1.1/4 UNC X 8 C S G5 SCREW		01
04	0501017779	32 X 60 X 4.75 FLAT WASHER		02
05	0503013026	1.1/4" CASTLE NUT		01
06	0503010010	1/4" X 2.1/2" COTTERPIN		01



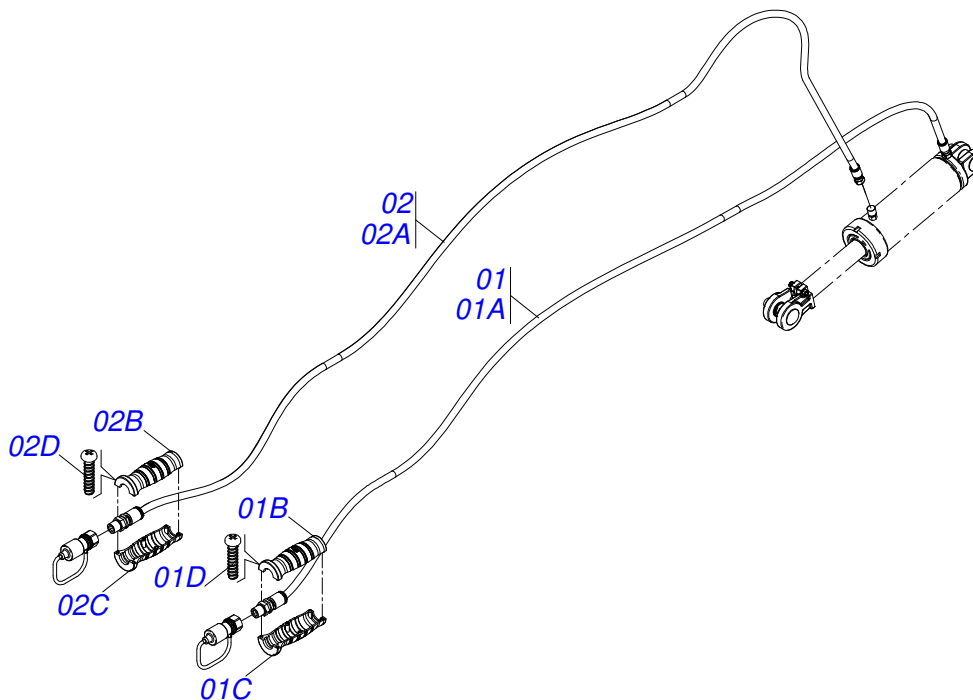
Item	Code	Description	See page	QT
001	0502040880	HITCH BODY		01
002	0502040885	BODY ATTACHMENT		01
003	0591012511	SLEEVE		01
004	0503010002	1800 GREASE FITTING		01
005	0503018829	NYLON CLAMP		01



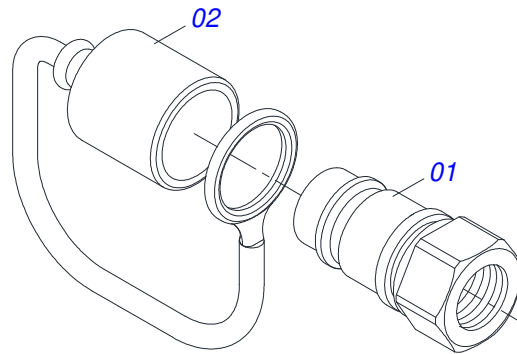
Item	Code	Description	See page	QT
01	0503010893	WHEEL		01
02	0503010033	7.50 X 16 INNER TIRE		01
03	0503010120	CANVAS TIRE		01



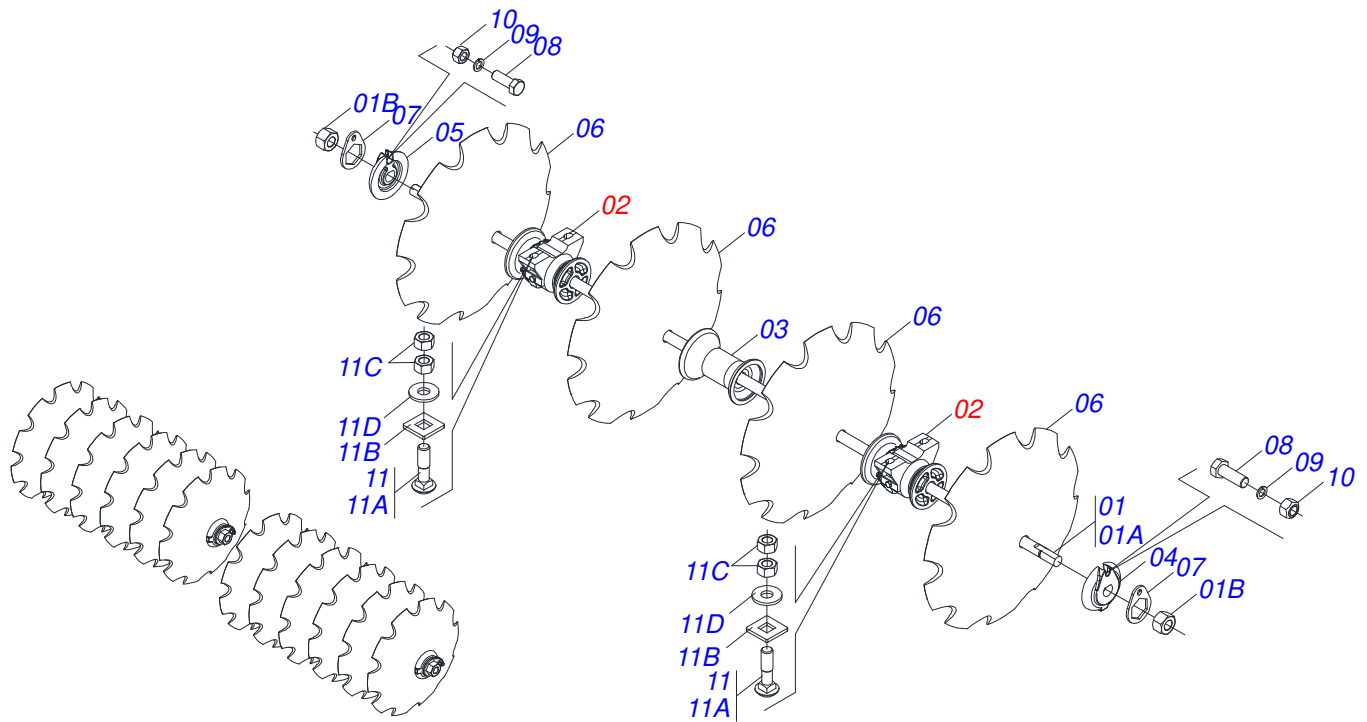
Item	Code	Description	See page	QT
01	0511067334	HOSE SOPPORT ASSY		01
02	0503010014	3/4" NUT		02
03	0501010322	FLAT WASHER		02



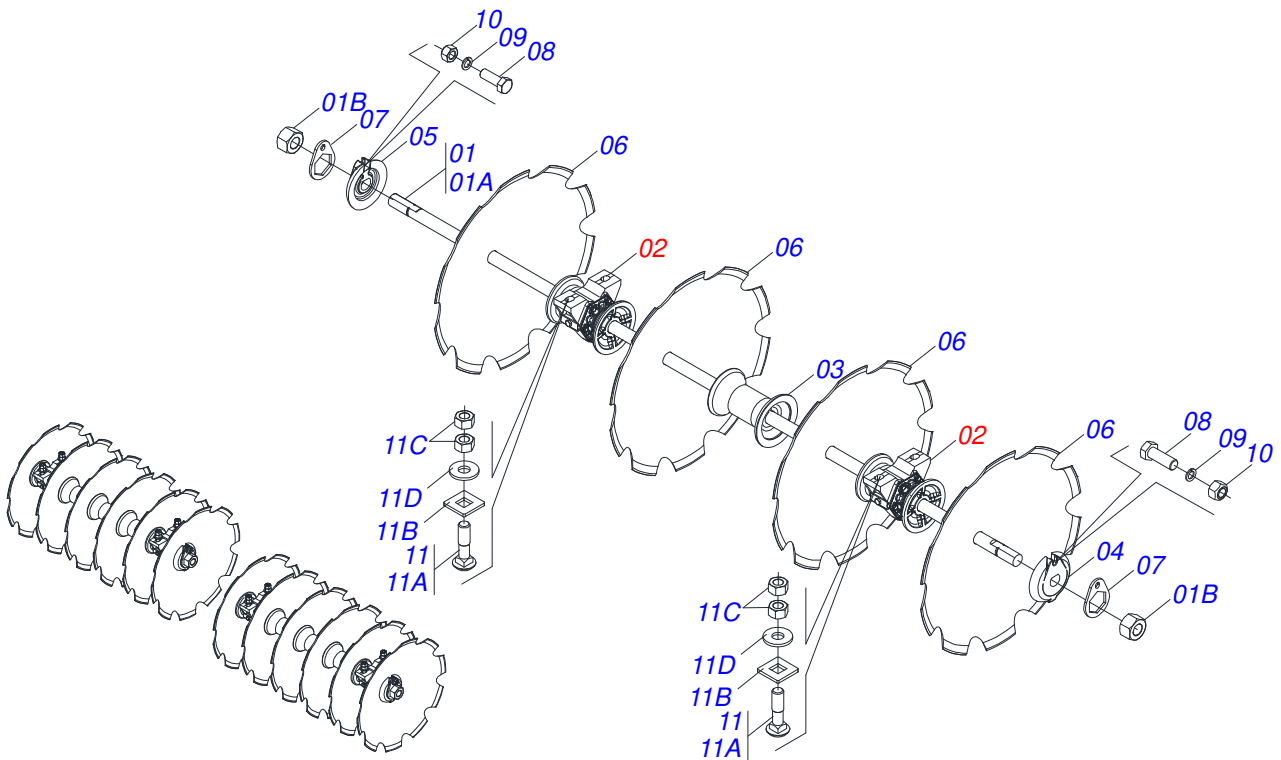
Item	Code	Description	See page	QT
01	0521056233	3/8 X 6000 TR-TM HOSE BLACK / RED		01
01A	0501080443	3/8" X 236" TR-TM HOSE		01
01B	0503034495	HYDRAULIC HOSE GRIP (RED)		01
01C	0503034492	HYDRAULIC HOSE GRIP (BLACK)		01
01D	0503018952	PLASTIC BOLT		06
02	0521055893	3/8 X 5850 TR-TM HOSE BLACK / BLUE		01
02A	0501080421	3/8" X 230" TR-TM HOSE ASS		01
02B	0503034492	HYDRAULIC HOSE GRIP (BLACK)		01
02C	0503034494	HYDRAULIC HOSE GRIP (BLUE)		01
02D	0503018952	PLASTIC BOLT		06



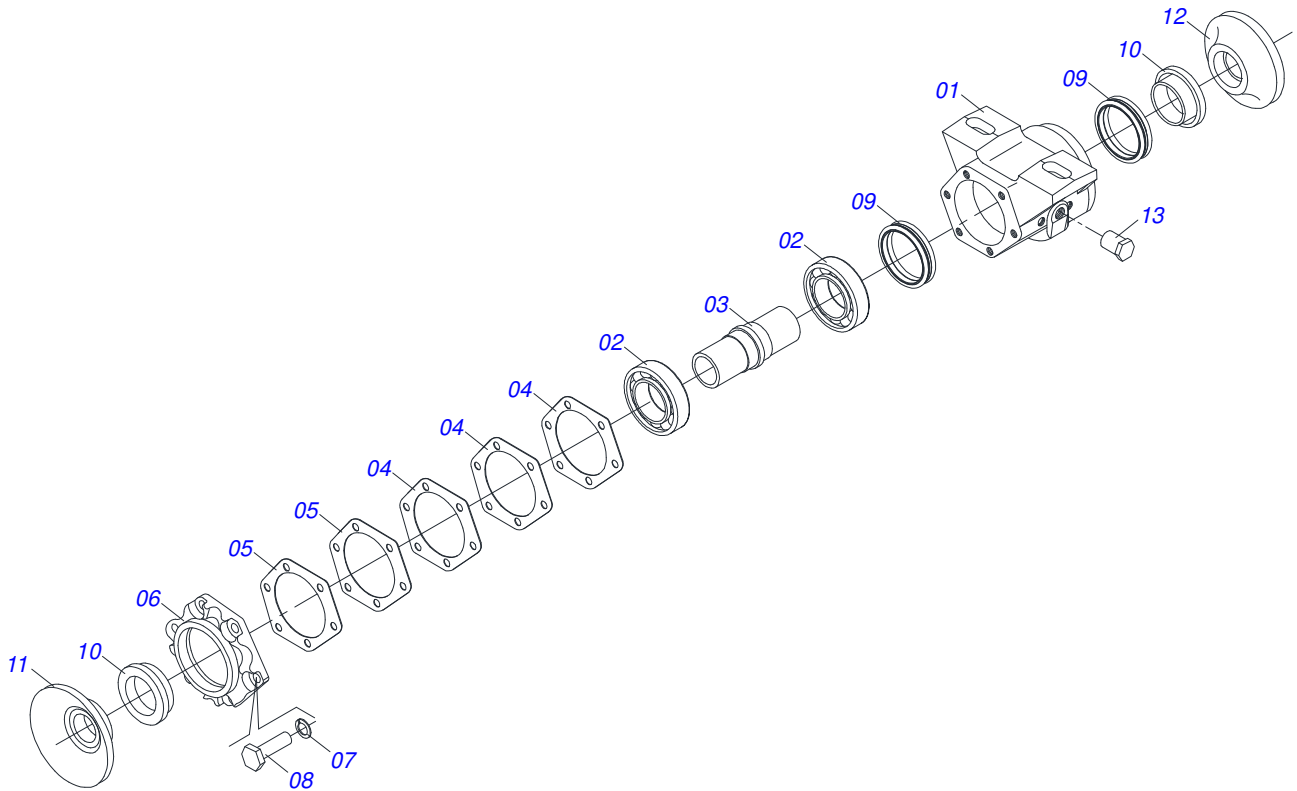
Item	Code	Description	See page	QT
01	0503011627	MALE QUICK COUPLER AGR 1/2 NPT		01
02	0503011882	MALE QUICK COUPLER CAP		01



Item	Code	Description	See page	QT
01	0501046855	1-5/8" X 52" AXLE WITH NUTS 2-3/4		02
01A	0501015237	1-5/8" X 52" AXLE		01
01B	0502040640	1.5/8" 2.3/4" NUT		02
02	0501046923	9"X 1-5/8" OIL BATH BEARING	13	04
03	0502010626	8.9" 1-5/8" SPACER		06
04	0502011048	1-5/8" EXTERNAL AXLE WASHER		02
05	0502011047	1-5/8" INNER AXLE WASHER		02
06	0602033005	26" X 0.2" NOTCHED DISC BLADE		12
07	0511014339	1-5/8" 2.8" NUT LOCK		04
08	0503010232	5/8" X 1.3/4" BOLT		04
09	0503010027	5/8" SPRING WASHER		04
10	0503012412	5/8 UNC SELF LOCKING NUT		04
11	0511040034	3/4" X 3-1/4" BOLT ASSY		08
11A	0501017303	3/4" X 3-1/4" BOLT		01
11B	0501010949	3/4" SQUARE WASHER		01
11C	0503010014	3/4" NUT		02
11D	0501010322	FLAT WASHER		01



Item	Code	Description	See page	QT
01	0501046855	1-5/8" X 52" AXLE WITH NUTS 2-3/4		02
01A	0501015237	1-5/8" X 52" AXLE		01
01B	0502040640	1.5/8" 2.3/4" NUT		02
02	0501046923	9"X 1-5/8" OIL BATH BEARING	13	04
03	0502010626	8.9" 1-5/8" SPACER		06
04	0502011047	1-5/8" INNER AXLE WASHER		02
05	0502011048	1-5/8" EXTERNAL AXLE WASHER		02
06	0602033005	26" X 0.2" NOTCHED DISC BLADE		12
07	0511014339	1-5/8" 2.8" NUT LOCK		04
08	0503010232	5/8" X 1.3/4" BOLT		04
09	0503010027	5/8" SPRING WASHER		04
10	0503012412	5/8 UNC SELF LOCKING NUT		04
11	0511040034	3/4" X 3-1/4" BOLT ASSY		08
11A	0501017303	3/4" X 3-1/4" BOLT		01
11B	0501010949	3/4" SQUARE WASHER		01
11C	0503010014	3/4" NUT		02
11D	0501010322	FLAT WASHER		01



Item	Code	Description	See page	QT
01	0502020445	HOUSING DM		01
02	0503010113	30212 ROLLER BEARING		02
03	0502010639	AXLE FOR CM/DM		01
04	0503031972	137 X 113,2 X 0,3 JOINT		03
05	0503031973	137 X 113,2 X 0,1 JOINT		02
06	0502012445	BEARING COVER BOX (BOX SLIGHTLY)		01
07	0503011443	3/8" SPRING WASHER		06
08	0503010237	3/8" X 1" BOLT		06
09	0503030027	DUO-CONE SEAL		02
10	0502010633	SEAL RETAINER		02
11	0502040239	OUTER FLANGE		01
12	0502040240	INNER FLANGE		01
13	0503010856	OIL PLUG		01



civemasa

Technical Publications | Elaboration and Revision

LORENA ROCHA ALVES

www.civemasa.com.br

