

**DISK HARROWS**

**GDHC 48/52/56/60/64/68/72/76/80/84D - PA -  
AXIS 1.1/2" - PN11L15**

**Code:** 0501092883

**Series:** S-0618

**Revision:** 00

**Revision Date:** MAIO/2021

**PARTS  
CATALOGUE**

***CIVEMASA***

# PRODUCTS

Code	Description
0121810046	GDHC 48 X 20 X 3,50 DM MT PA 11L15 S-0618
0121810047	GDHC 48 X 20 X 4,50 DM MT PA 11L15 S-0618
0121810048	GDHC 48 X 22 X 3,50 DM MT PA 11L15 S-0618
0121810049	GDHC 48 X 22 X 4,50 DM MT PA 11L15 S-0618
0121810050	GDHC 48 X 24 X 4,50 DM MT PA 11L15 S-0618
0121810041	GDHC 52 X 20 X 3,50 DM MT PA 11L15 S-0618
0121810042	GDHC 52 X 20 X 4,50 DM MT PA 11L15 S-0618
0121810037	GDHC 52 X 20 X 4,50 DM MT PA 11L15 S-0618
0121810043	GDHC 52 X 22 X 3,50 DM MT PA 11L15 S-0618
0121810044	GDHC 52 X 22 X 4,50 DM MT PA 11L15 S-0618
0121810045	GDHC 52 X 24 X 4,50 DM MT PA 11L15 S-0618
0121810036	GDHC 56 X 20 X 3,50 DM MT PA 11L15 S-0618
0121810038	GDHC 56 X 22 X 3,50 DM MT PA 11L15 S-0618
0121810039	GDHC 56 X 22 X 4,50 DM MT PA 11L15 S-0618
0121810040	GDHC 56 X 24 X 4,50 DM MT PA 11L15 S-0618
0121810031	GDHC 60 X 20 X 3,50 DM MT PA 11L15 S-0618
0121810032	GDHC 60 X 20 X 4,50 DM MT PA 11L15 S-0618
0121810033	GDHC 60 X 22 X 3,50 DM MT PA 11L15 S-0618
0121810034	GDHC 60 X 22 X 4,50 DM MT PA 11L15 S-0618
0121810035	GDHC 60 X 24 X 4,50 DM MT PA 11L15 S-0618
0121810026	GDHC 64 X 20 X 3,50 DM MT PA 11L15 S-0618
0121810027	GDHC 64 X 20 X 4,50 DM MT PA 11L15 S-0618
0121810028	GDHC 64 X 22 X 3,50 DM MT PA 11L15 S-0618
0121810029	GDHC 64 X 22 X 4,50 DM MT PA 11L15 S-0618
0121810030	GDHC 64 X 24X 4,50 DM MT PA 11L15 S-0618
0121810021	GDHC 68 X 20 X 3,50 DM MT PA 11L15 S-0618
0121810022	GDHC 68 X 20 X 4,50 DM MT PA 11L15 S-0618
0121810023	GDHC 68 X 22 X 3,50 DM MT PA 11L15 S-0618
0121810024	GDHC 68 X 22 X 4,50 DM MT PA 11L15 S-0618
0121810025	GDHC 68 X 24X 4,50 DM MT PA 11L15 S-0618

## ATTENTION: IMPORTANT

CIVEMASA reserves the right to improve and/or modify the technical features of its products, without obligation to do the same with those products already sold and without prior knowledge of the dealer or the consumer. The photos are only illustrative.




# PRODUCTS

0121810016	GDHC 72 X 20 X 3,50 DM MT PA 11L15 S-0618
0121810017	GDHC 72 X 20 X 4,50 DM MT PA 11L15 S-0618
0121810018	GDHC 72 X 22 X 3,50 DM MT PA 11L15 S-0618
0121810019	GDHC 72 X 22 X 4,50 DM MT PA 11L15 S-0618
0121810020	GDHC 72 X 24 X 4,50 DM MT PA 11L15 S-0618
0121810011	GDHC 76 X 20 X 3,50 DM MT PA 11L15 S-0618
0121810012	GDHC 76 X 20 X 4,50 DM MT PA 11L15 S-0618
0121810013	GDHC 76 X 22 X 3,50 DM MT PA 11L15 S-0618
0121810014	GDHC 76 X 22 X 4,50 DM MT PA 11L15 S-0618
0121810015	GDHC 76 X 24 X 4,50 DM MT PA 11L15 S-0618
0121810006	GDHC 80 X 20 X 3,50 DM MT PA 11L15 S-0618
0121810007	GDHC 80 X 20 X 4,50 DM MT PA 11L15 S-0618
0121810008	GDHC 80 X 22 X 3,50 DM MT PA 11L15 S-0618
0121810009	GDHC 80 X 22 X 4,50 DM MT PA 11L15 S-0618
0121810010	GDHC 80 X 24 X 4,50 DM MT PA 11L15 S-0618
0121810001	GDHC 84 X 20 X 3,50 DM MT PA 11L15 S-0618
0121810002	GDHC 84 X 20 X 4,50 DM MT PA 11L15 S-0618
0121810003	GDHC 84 X 22 X 3,50 DM MT PA 11L15 S-0618
0121810004	GDHC 84 X 22 X 4,50 DM MT PA 11L15 S-0618

## ATTENTION: IMPORTANT

CIVEMASA reserves the right to improve and/or modify the technical features of its products, without obligation to do the same with those products already sold and without prior knowledge of the dealer or the consumer. The photos are only illustrative.



# INDEX

0909095560	ASSY FRAME	.....	1
0521049348	ASSY HEADER	.....	2
0531040066	FULL HEADER	.....	3
0521042319	ASSY HEADER	.....	4
0521048502	ASSY TRACTION BAR	.....	5
0521057520	HITCH ASSY	.....	6
0501040257	3/4 X 1200 HOSE HOLDER A	.....	7
0503062157	HEADER JACK	.....	8
0521054778	ASSY MANUAL DOOR	.....	9
0521058302	HYDRAULIC CYLINDER 44,45X85,7X600X265	.....	10
0511058461	HYDRAULIC CYLINDER	.....	11
0909098817	COMPLETE HYDRAULIC LIFTING ASSY	.....	12
0521056810	HYDRAULIC CYLINDER 44,45X76,20X405X170	.....	13
0521050797	FLOW DIVIDER VALVE	.....	14
0503060181	WHEEL AND TIRE	.....	15
0521048125	WHEELS ASSY	.....	16
0521052217	ASSY WHEEL CUBE	.....	17
0501051142	CARRYING WHEEL HUB	.....	18
0521052223	3/4 X 700 HOSE SUPPORT	.....	19
0501053527	HEADER WITH EAR HITCH	.....	20
0909098820	CIRCUIT ASSY HYDRAULIC LIFT HYDRAULIC	.....	21
0909098818	DISC SECTION 48/52/56/60/64/68/72/76/80/84D	.....	22
0501047055	BEARING	.....	23
0501053834	MALE QUICK COUPLER	.....	24



**ASSY FRAME**

0909095560

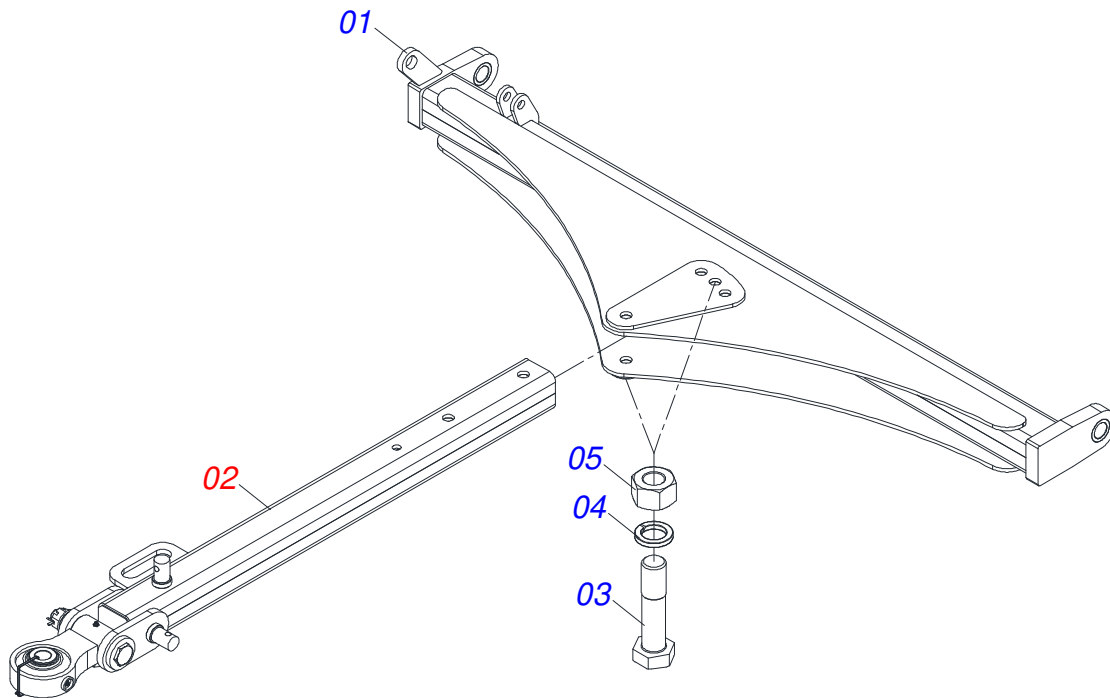
Item	Code	Description	See page	048	052	056	060	064	068	072	076	080	084
16	0503031827	LUBRICATE AND RETIGHTEN DAILY DECAL		001	001	001	001	001	001	001	001	001	001
17	0503031087	ADHESIVE LABEL		001	001	001	001	001	001	001	001	001	001
18	0503031428	READ MANUAL DECAL		001	001	001	001	001	001	001	001	001	001
19	0503034806	BADGE		002	002	002	002	002	002	002	002	002	002
20	0503033404	CIVEMASA BADGE		002	002	002	002	002	002	002	002	002	002
21	0521049348	ASSY HEADER	2	001	000	000	000	000	000	000	000	000	000
21.	0531040066	FULL HEADER	3	000	001	001	001	000	000	000	000	000	000
21..	0521042319	ASSY HEADER	4	000	000	000	000	001	001	001	001	001	001
22	0501010426	1-1/4" X 6" SCREW		002	002	002	002	000	000	000	000	000	000
23	0503010070	SPRING WASHER		003	003	003	003	000	000	000	000	000	000
24	0501010087	1.1/4" NUT		003	003	003	003	000	000	000	000	000	000
25	0501019002	JUNCTION SHAFT		001	001	001	001	001	001	001	001	001	001
26	0503030085	LOCK PIN		001	001	001	001	001	001	001	001	001	001
27	0501040257	3/4 X 1200 HOSE HOLDER A	7	001	001	001	001	001	001	001	001	001	001
28	0501069080	COUPLING SHAFT		001	001	001	001	001	001	001	001	001	001
29	0503031035	HITCH PIN CLIP		003	003	003	003	003	003	003	003	003	003
30	0503062157	HEADER JACK	8	001	001	001	001	001	001	001	001	001	001
31	0521010549	COUPLING SHAFT		001	001	001	001	001	001	001	001	001	001
32	0503030168	HITCH PIN CLIP		001	001	001	001	001	001	001	001	001	001
33	0501011432	1-1/2" AND 1-5/8 GANG BOLT WRENCH		002	002	002	002	002	002	002	002	002	002
34	0501061617	1" GANG BOLT WRENCH		001	001	001	001	001	001	001	001	001	001
35	0501068273	5/8" WRENCH		001	001	001	001	001	001	001	001	001	001
36	0501047895	ROD STOP		006	006	006	006	006	006	006	006	006	006
37	0501047885	ROD STOP		004	004	004	004	004	004	004	004	004	004
38	0521054778	ASSY MANUAL DOOR	9	001	001	001	001	001	001	001	001	001	001
39	0531019497	1.5" X 9.2" ARTICULATED AXIS		001	001	001	001	001	001	001	001	001	001
40	0531019540	FLAT WASHER		001	001	001	001	001	001	001	001	001	001
41	0501011301	1.1/2 UNC 6FPP 2.5/16 NUT		001	001	001	001	001	001	001	001	001	001
42	0503010010	1/4" X 2.1/2" COTTERPIN		001	001	001	001	001	001	001	001	001	001
43	0503010002	1800 GREASE FITTING		002	002	002	002	002	002	002	002	002	002
44	0511058461	HYDRAULIC CYLINDER	11	001	001	001	001	001	001	001	001	001	001
45	0501011106	1-1/4" X 7" SCREW		001	001	001	001	001	001	001	001	001	001
46	0503010003	1845 GREASE FITTING		002	002	002	002	002	002	002	002	002	002
47	0521010779	31.75 X 95 COUPLING SHAFT		001	001	001	001	001	001	001	001	001	001
48	0501017779	32 X 60 X 4.75 FLAT WASHER		001	001	001	001	001	001	001	001	001	001
49	0503010523	1/4" X 2" COTTERPIN		001	001	001	001	001	001	001	001	001	001
50	0521067644	JUNCTION SHAFT		002	002	002	002	002	002	002	002	002	002
51	0501063963	FRONT SCRAPER		017	019	021	023	023	025	027	027	029	029
52	0501063962	REAR SCRAPER		017	019	021	023	023	025	027	027	029	029
53	0503011082	C1/2" X 1.3/4" SCREW		068	076	084	092	092	100	108	108	116	116
54	0511017302	FLAT WASHER		068	076	084	092	092	100	108	108	116	116
55	0503010019	1/2" SPRING WASHER		068	076	084	092	092	100	108	108	116	116
56	0503010060	1/2" NUT		068	076	084	062	062	100	108	108	116	116
57	0909098817	COMPLETE HYDRAULIC LIFTING ASSY	12	001	001	001	001	001	001	001	001	001	001
58	0909098818	DISC SECTION 48/52/56/60/64/68/72/76/80/84D	22	001	001	001	001	001	001	001	001	001	001
60	0909098820	CIRCUIT ASSY HYDRAULIC LIFT HYDRAULIC	21	001	001	001	001	001	001	001	001	001	001
61	0521068803	FRONT STABILIZER BAR		001	001	001	001	000	000	000	000	000	000
61.	0521065407	FRONT STABILIZER BAR		000	000	000	000	001	001	001	000	000	000
61..	0521069184	FRONT STABILIZER BAR		000	000	000	000	000	000	000	001	001	001
62	0521068804	REAR STABILIZER BAR		001	001	001	001	000	000	000	000	000	000
62.	0521065406	REAR STABILIZER BAR		000	000	000	000	001	001	001	000	000	000
62..	0521069193	REAR STABILIZER BAR		000	000	000	000	000	000	000	001	001	001
63	0521058302	HYDRAULIC CYLINDER 44,45X85,7X600X265	10	001	001	001	001	001	001	001	001	001	001
64	0521010575	C0.9" X 3.3" COUPLING SHAFT		002	002	002	002	002	002	002	002	002	002
65	0501011445	FLAT WASHER		002	002	002	002	002	002	002	002	002	002
66	0503010571	1/4" X 1.1/2 COTTERPIN		002	002	002	002	002	002	002	002	002	002
67	0511018012	HIDRAULIC ADAPTER		002	002	002	002	002	002	002	002	002	002
68	0909098817	COMPLETE HYDRAULIC LIFTING ASSY	12	001	001	001	001	001	001	001	001	001	001
69	0551013708	COUPLING SHAFT		000	000	000	000	002	002	002	002	002	002

**ASSY FRAME**

0909095560

<b>Item</b>	<b>Code</b>	<b>Description</b>	<b>See page</b>	<b>048 052 056 060 064 068 072 076 080 084</b>
70	0501011301	1.1/2 UNC 6FPP 2.5/16 NUT		000 000 000 000 002 002 002 002 002 002
71	0503010010	1/4" X 2.1/2" COTTERPIN		000 000 000 000 002 002 002 002 002 002

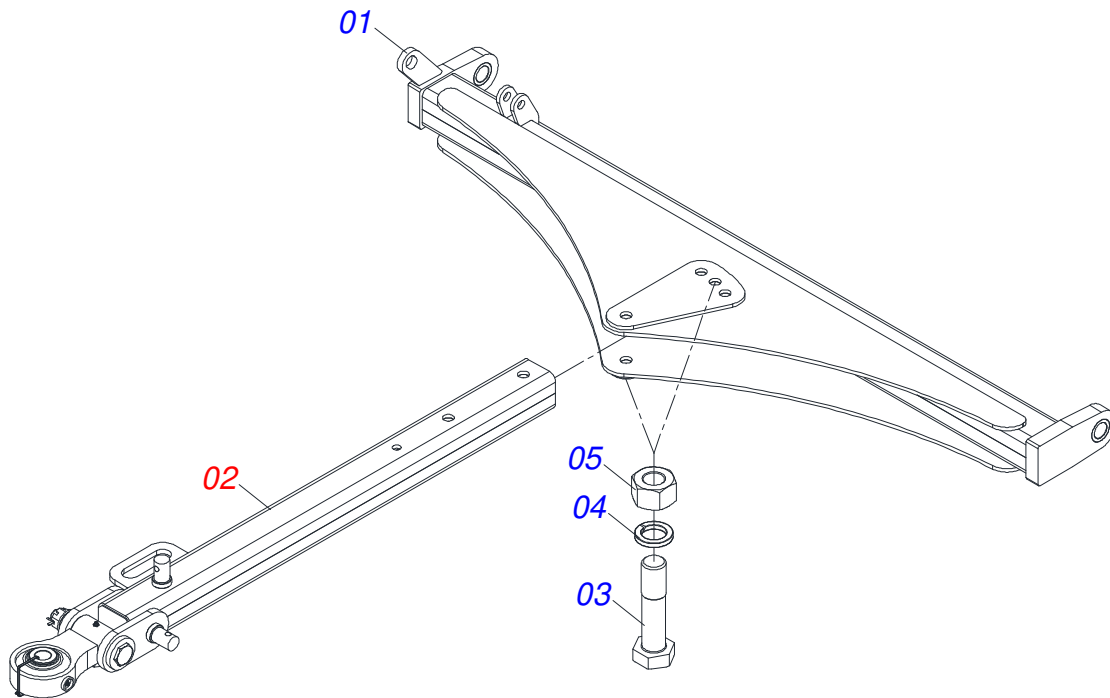
**ASSY HEADER**



Item	Code	Description	See page	QT
01	0521069308	HITCH BAR (1976)		01
02	0521048502	ASSY TRACTION BAR	5	01
03	0501010334	1" X 7" BOLT		02
04	0503011438	SPRING WASHER		02
05	0501010059	1.5/8 NUT		02

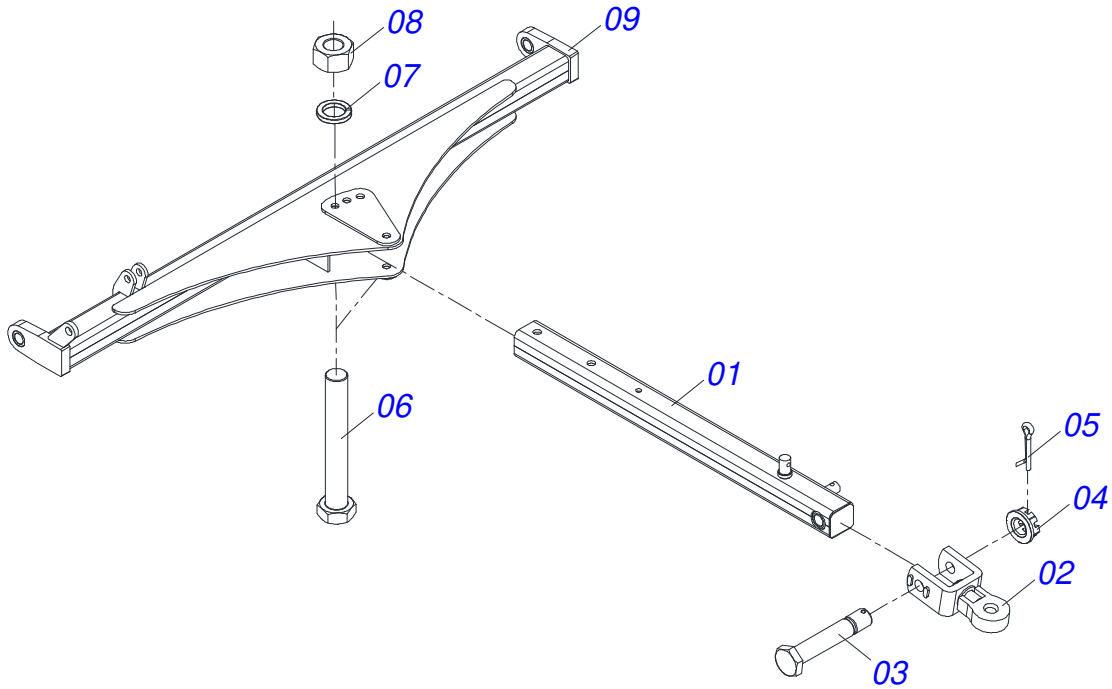


**FULL HEADER**

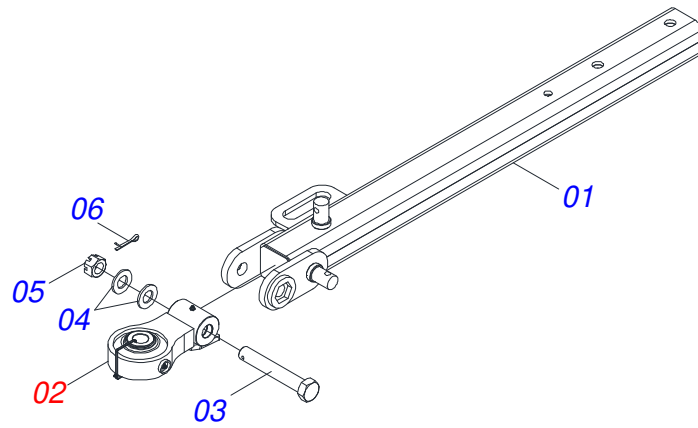


Item	Code	Description	See page	QT
01	0531062335	CONNECTION BAR 2370 X 683.5		01
02	0521048502	ASSY TRACTION BAR	5	01
03	0501010334	1" X 7" BOLT		02
04	0503010012	1" SPRING WASHER		02
05	0501010059	1.5/8 NUT		02

**ASSY HEADER**

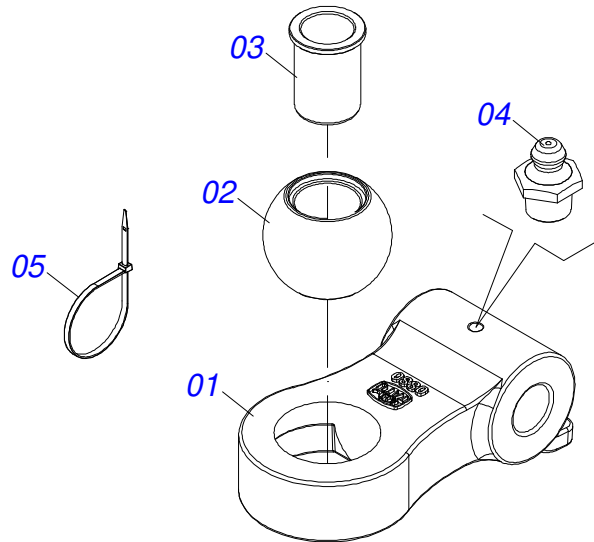


Item	Code	Description	See page	QT
01	0501066715	DRAWBAR ASSY		01
02	0501062869	TRACTOR HITCH		01
03	0501017291	1-1/2" X 8.1" BOLT		01
04	0501011301	1.1/2 UNC 6FPP 2.5/16 NUT		01
05	0503010010	1/4" X 2.1/2" COTTERPIN		01
06	0501010334	1" X 7" BOLT		02
07	0503011438	SPRING WASHER		02
08	0501010059	1.5/8 NUT		02
09	0521064097	OFFSET BAR		01

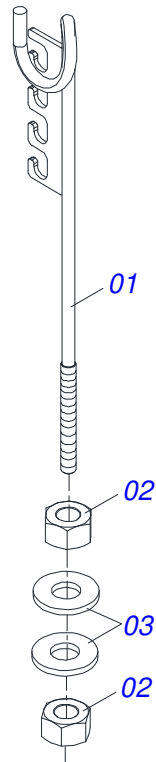


Item	Code	Description	See page	QT
01	0521069165	DRAWBAR ASSY		01
02	0521057520	HITCH ASSY	6	01
03	0581015973	1.1/4 UNC X 8 C S G5 SCREW		01
04	0501017779	32 X 60 X 4.75 FLAT WASHER		02
05	0503013026	1.1/4" CASTLE NUT		01
06	0503010010	1/4" X 2.1/2" COTTERPIN		01

**HITCH ASSY**



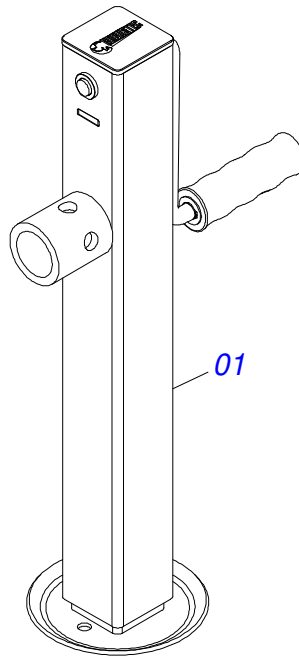
Item	Code	Description	See page	QT
01	0502040880	HITCH BODY		01
02	0502040885	BODY ATTACHMENT		01
03	0591012511	SLEEVE		01
04	0503010002	1800 GREASE FITTING		01
05	0503018829	NYLON CLAMP		01



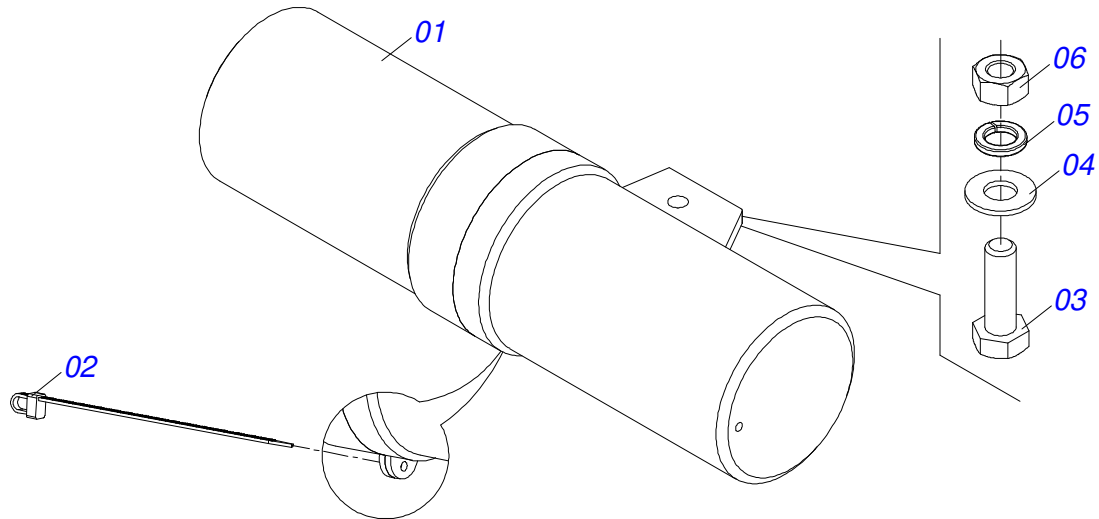
Item	Code	Description	See page	QT
01	0511067334	HOSE SOPPORT ASSY		01
02	0503010014	3/4" NUT		02
03	0501010322	FLAT WASHER		02

**HEADER JACK**

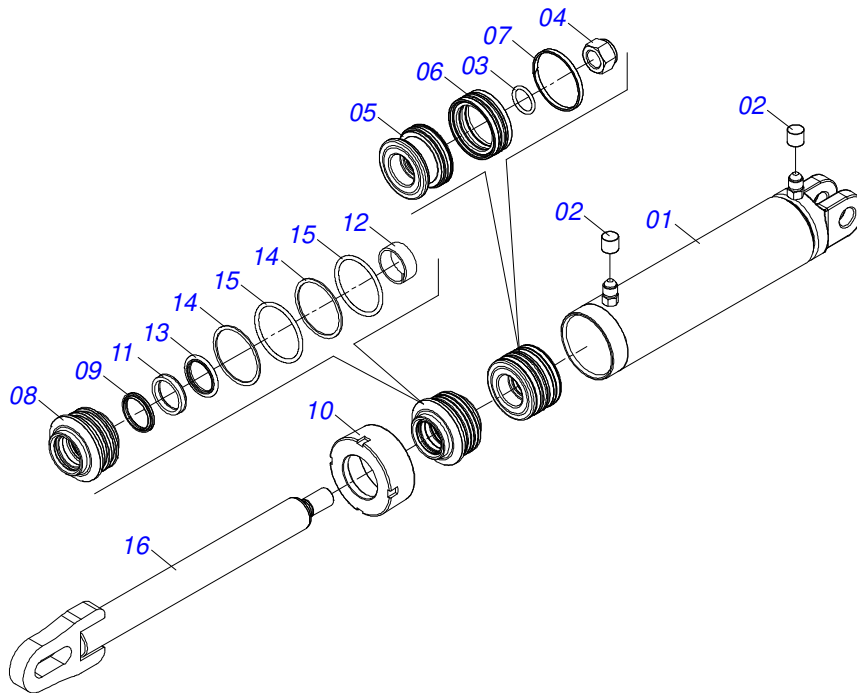
0503062157



Item	Code	Description	See page	QT
01	0503062157	HEADER JACK	8	01

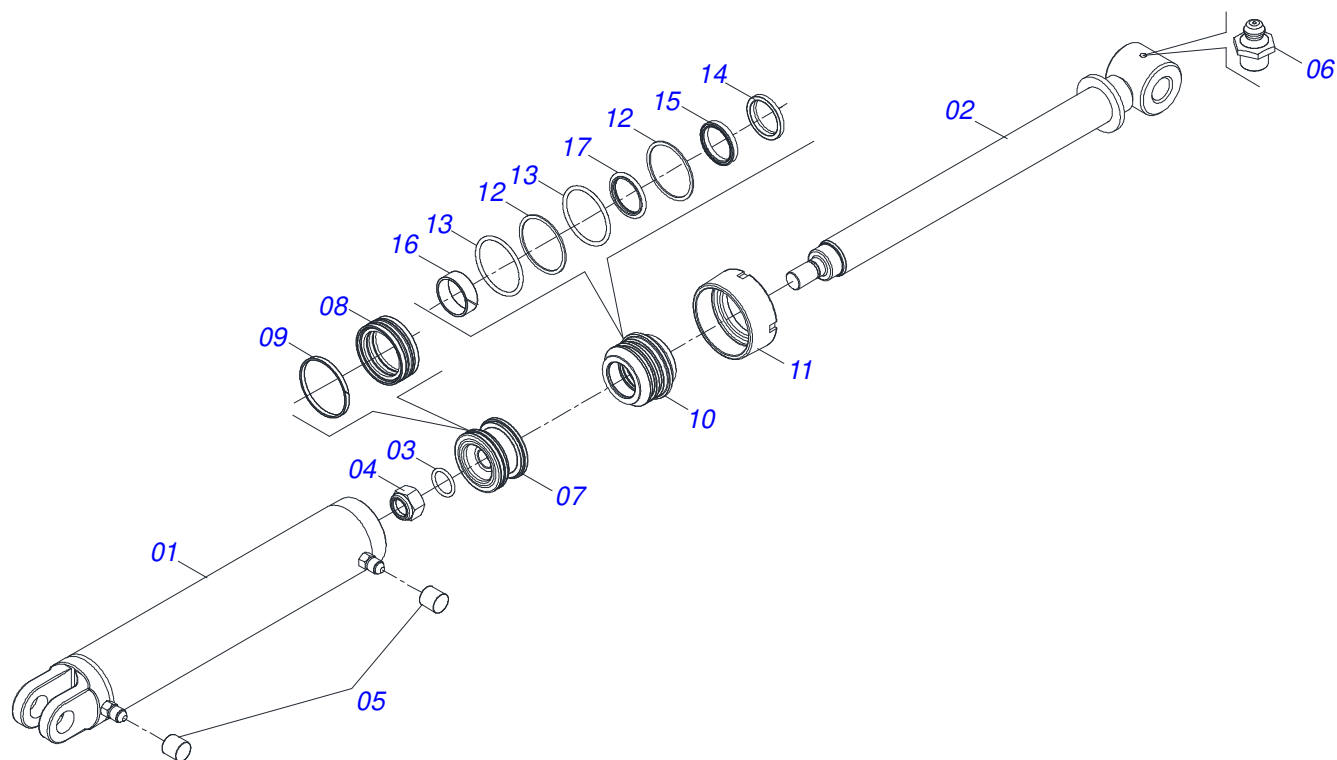


Item	Code	Description	See page	QT
01	0503060100	OPERATOR'S MANUAL STORAGE TUBE		01
02	0503010267	NYLON CLAMP		01
03	0503010363	5/16" X 1" BOLT		01
04	0501010694	FLAT WASHER		01
05	0503010179	LOCK WASHER		01
06	0503010337	5/16" NUT		01



Item	Code	Description	See page	QT
01	0531061884	CASE 85.70 X 265		01
02	0503030385	CYLINDER PLUG N-002		02
03	0503010042	2-214 N 3006-9B O'RING		01
04	0503010063	1" SELF-ALIGNING NUT		01
05	0571019710	1.7" X 3.4" PISTON		01
06	0503017935	RING		01
07	0503018144	RING		01
08	0571019711	RING SUPPORT		01
09	0503010761	D-1750 SCRAPER RING		01
10	0571019709	DETACHABLE COVER		01
11	0503017936	RING		01
12	0503017938	RING GUIDE		01
13	0503017937	GASKET		01
14	0503017940	8-337 BACK-UP RING		02
15	0503017939	2-337 N 3006-9B O' RING		02
16	0531061883	EXTENSOR 44.45 X 535		01
17	0511032281	HYDRAULIC CYLINDER REPAIR KIT		01

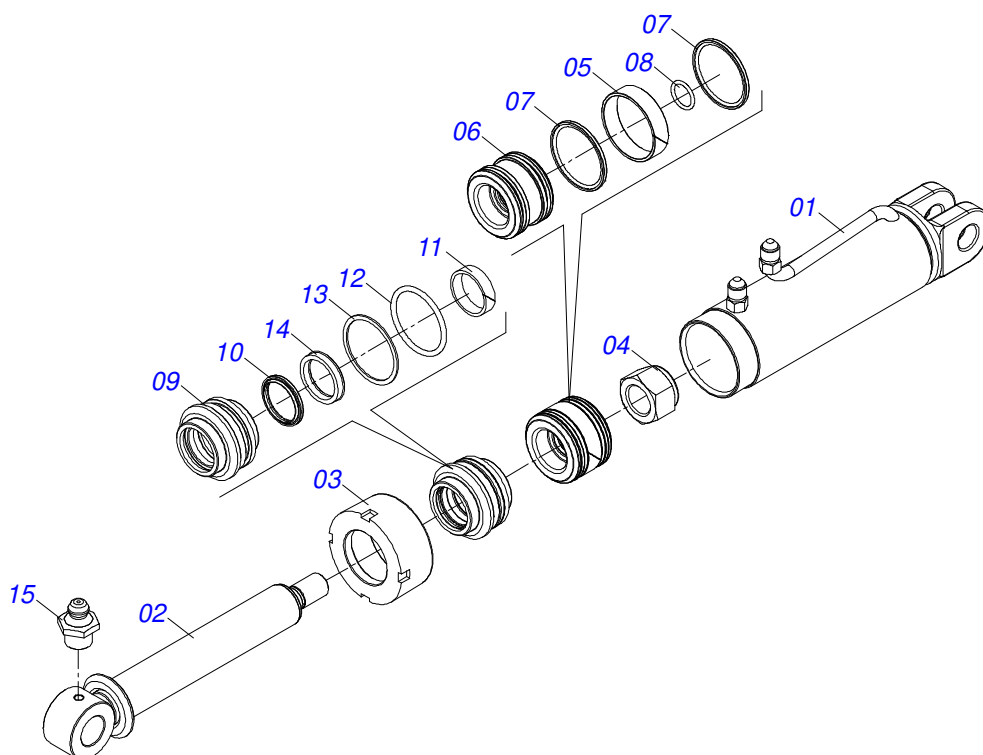




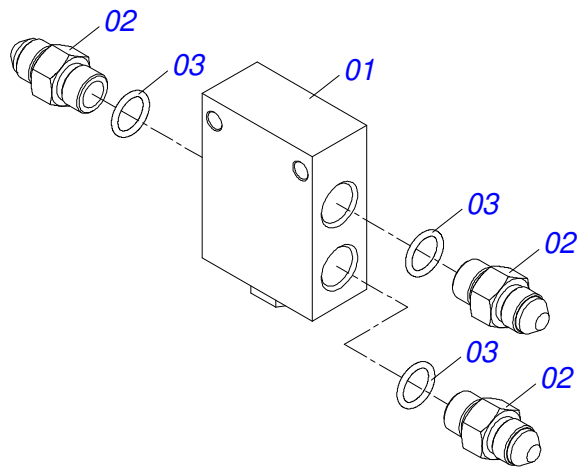
Item	Code	Description	See page	QT
01	0521063982	CYLINDER CASE		01
02	0521067533	50,80 X 697 EXTENSOR		01
03	0503010042	2-214 N 3006-9B O'RING		01
04	0503010063	1" SELF-ALIGNING NUT		01
05	0503030385	CYLINDER PLUG N-002		02
06	0503010002	1800 GREASE FITTING		01
07	0571019710	1.7" X 3.4" PISTON		01
08	0503017935	RING		01
09	0503018144	RING		01
10	0581013228	50,80 X 85,72 SUPPORT RINGS		01
11	0581013227	85,72 MOVE COVER		01
12	0503017940	8-337 BACK-UP RING		02
13	0503017939	2-337 N 3006-9B O' RING		02
14	0503010039	D-2000 SCRAPER RING		01
15	0503018026	1870-2000-375 B GASKET		01
16	0503018025	RING GUIDE		01
17	0503018024	RING BS		01



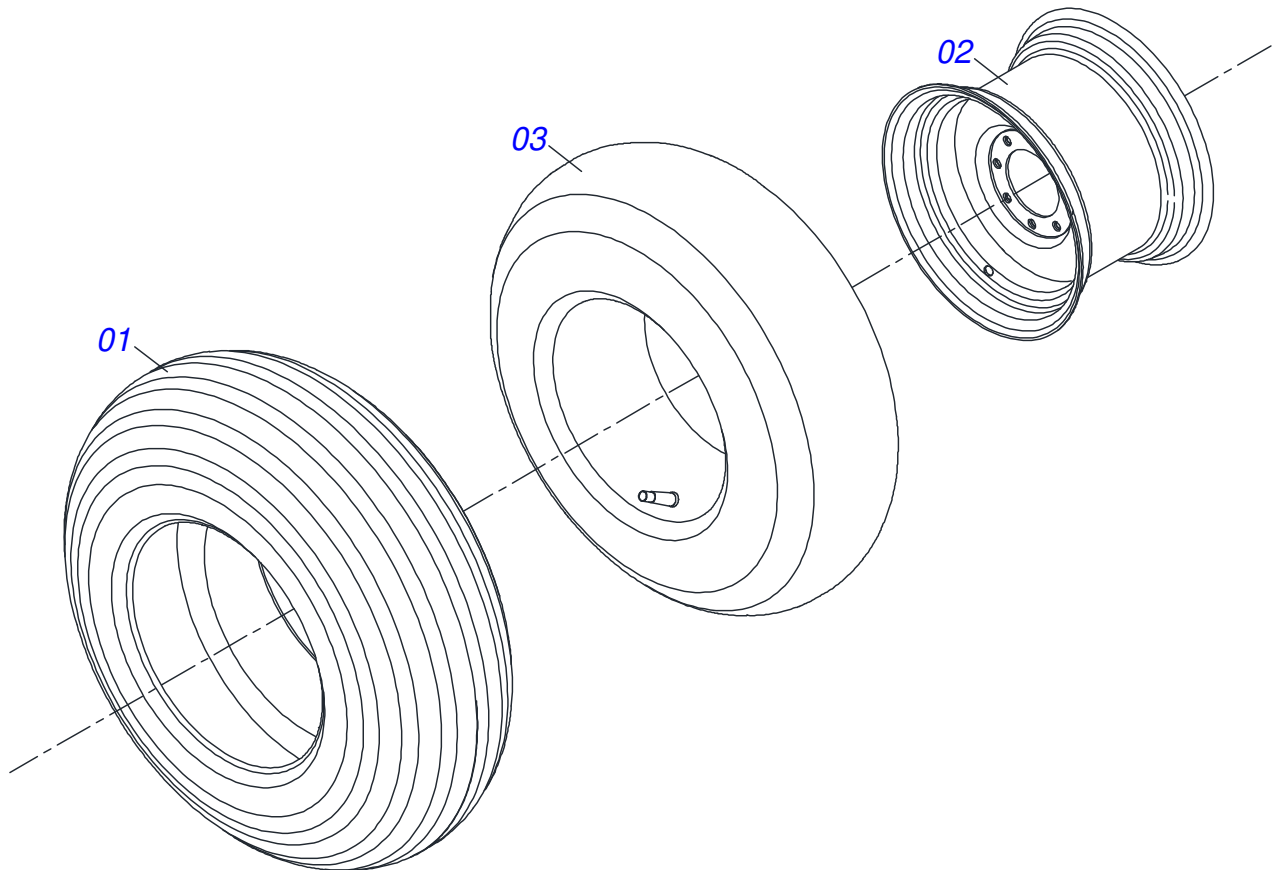




Item	Code	Description	See page	QT
01	0531060320	CASE 76,20 X 277 X 335		01
02	0531060321	EXTENSOR 44,45 X 311 X 296		01
03	0502011899	MOBILE COVER		01
04	0503010063	1" SELF-ALIGNING NUT		01
05	0503018140	RING GUIDE		01
06	0581010304	PISTON		01
07	0503018138	RING BS		02
08	0503010042	2-214 N 3006-9B O'RING		01
09	0502012264	RING SUPPORT 1.75" X 3"		01
10	0503010761	D-1750 SCRAPER RING		01
11	0503010949	W2-2000-500 PK RING G.E		01
12	0503010343	2-334 N 3006-9B O'RING		01
13	0503011059	8-334 BACK-UP RING		01
14	0503017937	GASKET		01
15	0503010002	1800 GREASE FITTING		01
16	0511032725	HYDRAULIC CYLINDER REPAIR KIT		01

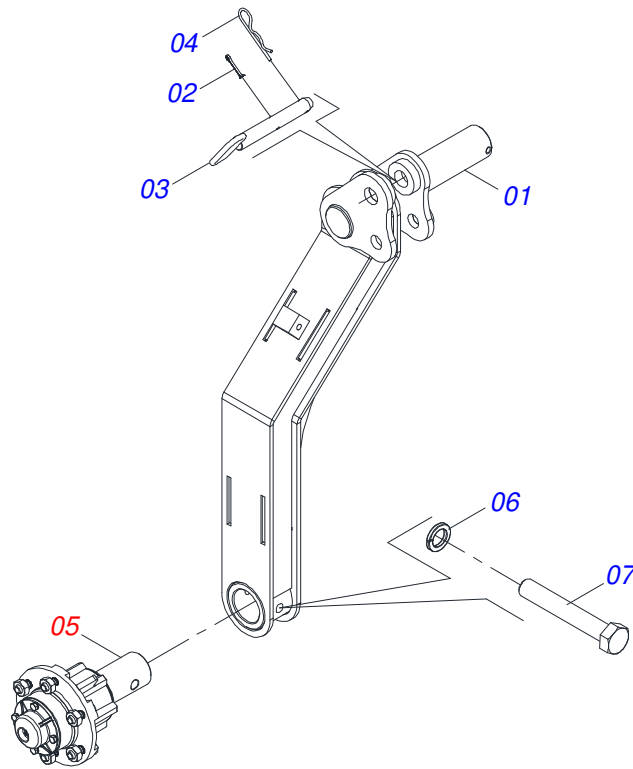


Item	Code	Description	See page	QT
01	0503012481	FLOW DIVIDING VALVE		01
02	0501010617	3/4" NIPPLE		03
03	0503010190	2-114 N 3006-9B O'RING		03

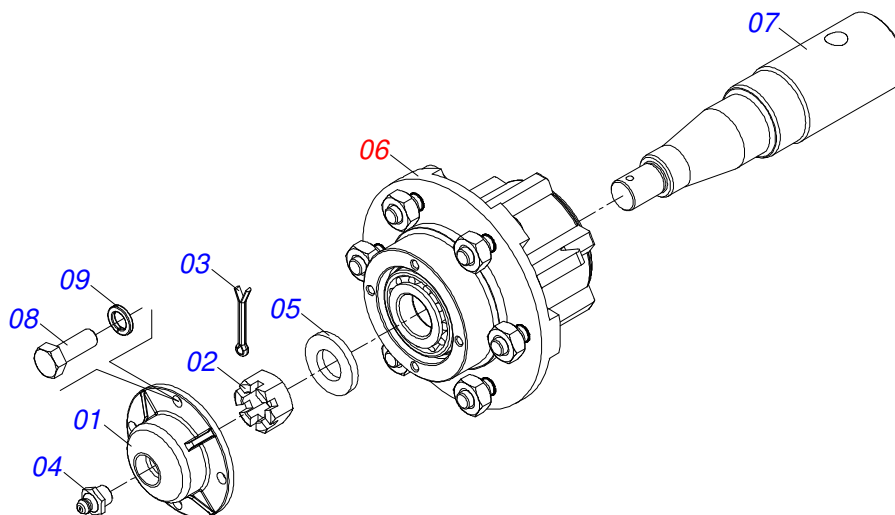


Item	Code	Description	See page	QT
01	0503010858	CANVAS TIRE		01
02	0503011468	WEEL		01
03	0503010860	AIR CHAMBER 11L 15		01

**WHEELS ASSY**

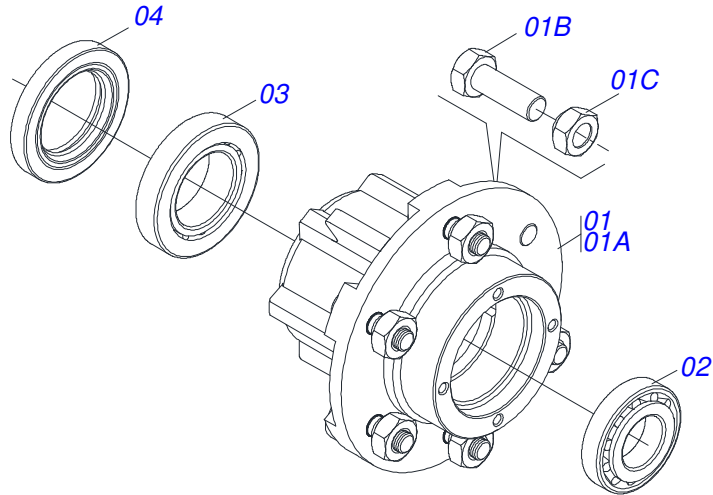


Item	Code	Description	See page	QT
01	0521068372	WHEELED ARM		01
02	0503010131	3/16" X 1-1/2" COTTERPIN		01
03	0521068769	COUPLING SHAFT		01
04	0503030012	HITCH PIN CLIP		01
05	0521052217	ASSY WHEEL CUBE	17	01
06	0503010027	5/8" SPRING WASHER		01
07	0503017857	BOLT 5/8 UNF 4		01

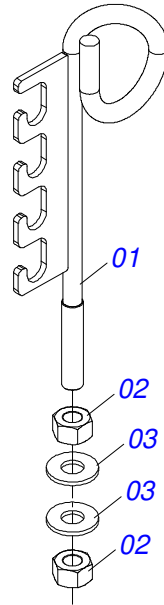


Item	Code	Description	See page	QT
01	0502020591	PROTECCION COVER		01
02	0503030009	1" CASTLE NUT		01
03	0503010018	5/32 X 1-1/2 COTTERPIN		01
04	0503010002	1800 GREASE FITTING		01
05	0501016545	FLAT WASHER		01
06	0501051142	CARRYING WHEEL HUB	18	01
07	0581016297	63,50 X 270 AXIS		01
08	0503010178	5/16" X 7/8" BOLT		04
09	0503010179	LOCK WASHER		04

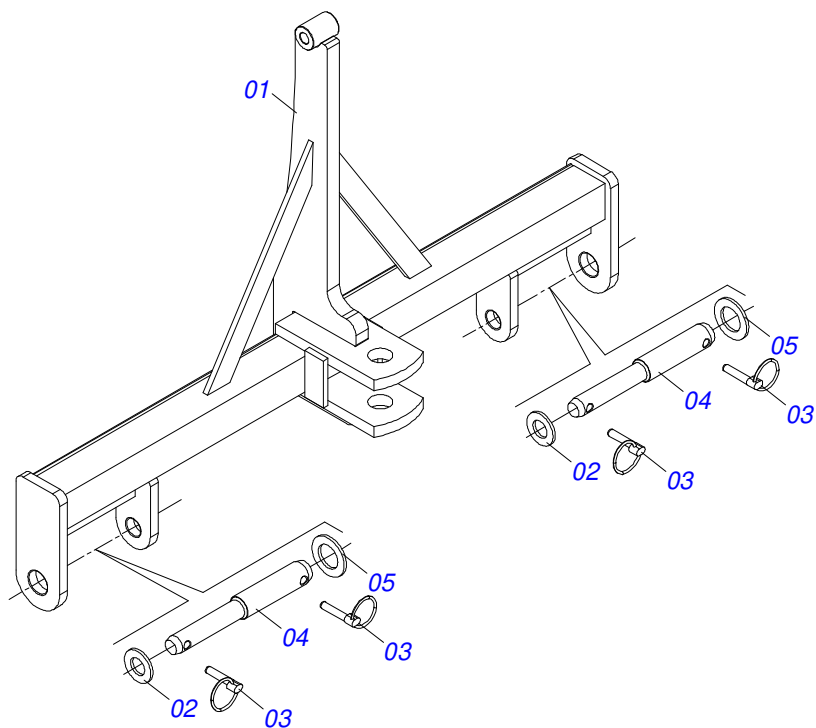




Item	Code	Description	See page	QT
01	0501110728	WHEEL HUB		01
01A	0502011121	CARRYING WHEEL HUB		01
01B	0501010127	9/16" X 1-7/8" LUG BOLT		06
01C	0503010035	9/16" CONIC NUT		06
02	0503010037	30207 ROLLER BEARING		01
03	0503010006	32210 ROLLER BEARING		01
04	0503012928	SEAL		01



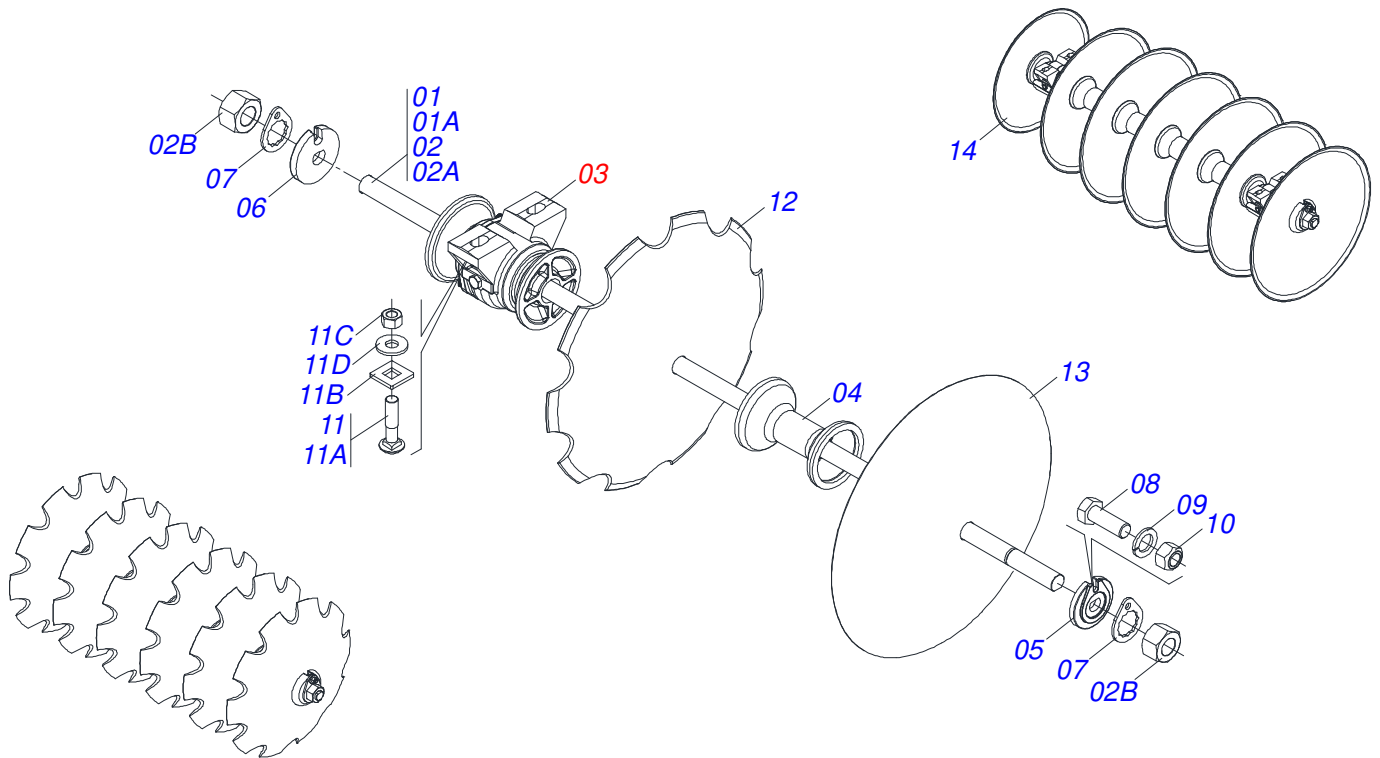
Item	Code	Description	See page	QT
01	0521068388	HOSE SUPPORT		01
02	0503010014	3/4" NUT		02
03	0501010322	FLAT WASHER		02



Item	Code	Description	See page	QT
01	0511062944	DRAWBAR		01
02	0501012916	FLAT WASHER 38,50 X 66 X 4,75 ZN		02
03	0503030430	7/16 X 2" PIN LOCK		04
04	0541015542	1.1/8" HITCH AXLE		02
05	0511017480	FLAT WASHER		02



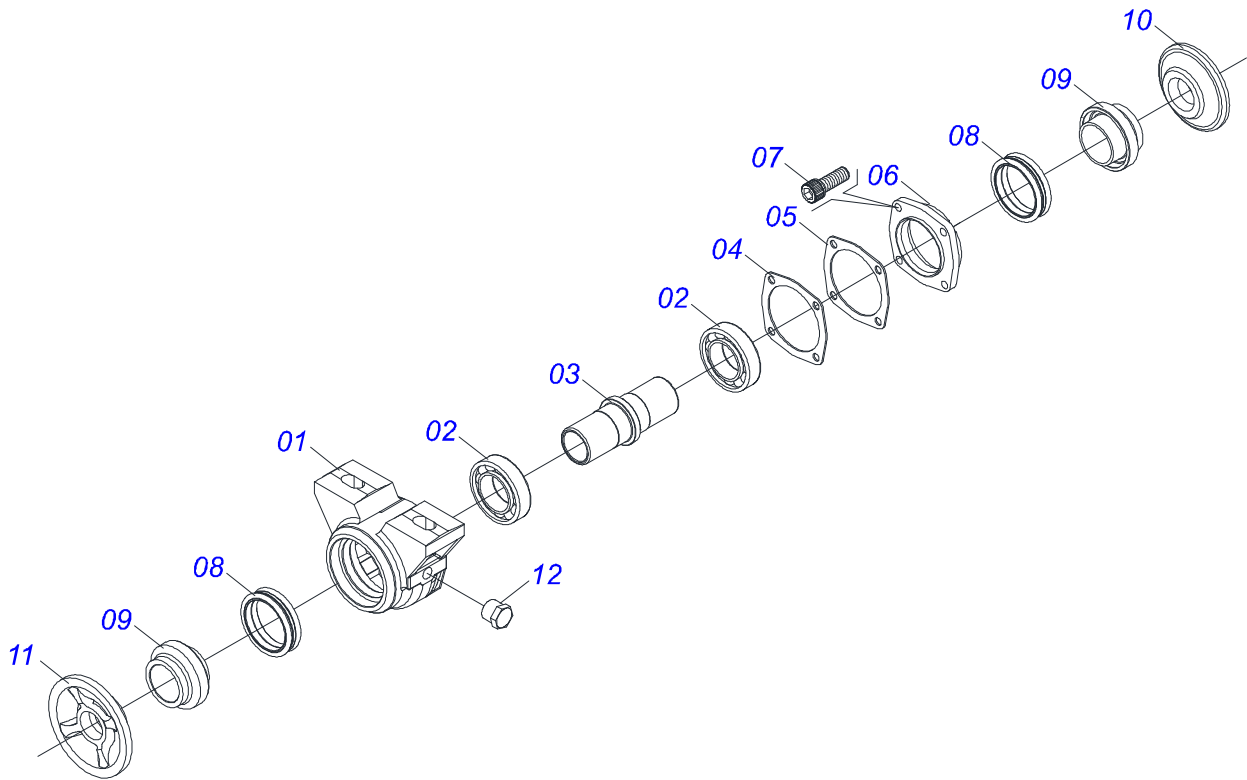




Item	Code	Description	See page	048	052	056	060	064	068	072	076	080	084
01	0521045341	AXLE		004	000	000	000	000	000	000	000	000	000
01.	0511054527	AXIS 1.1/2" UNC X 2490 WITH NUTS		000	004	000	000	000	000	000	000	000	000
01..	0511045023	1.1/2" X 2680 AXLE		000	000	004	000	000	000	000	000	000	000
01...	0501059898	1.1/2 X 2880 AXLE ASSY		000	000	000	004	000	000	000	000	000	000
01....	0501043697	1.1/2" X 1505 AXLE ASSY		000	000	000	000	008	002	000	002	002	000
01A	0511012017	AXLE		004	000	000	000	000	000	000	000	000	000
01A.	0531019372	AXIS 1.1/2 6FPP X 2490		000	004	000	000	000	000	000	000	000	000
01A..	0551011002	1.1/2" X 2680 AXLE		000	000	004	000	000	000	000	000	000	000
01A...	0561016111	1.1/2 X 2880 AXLE		000	000	000	004	000	000	000	000	000	000
01A....	0511012601	1.1/2" X 1505 AXLE		000	000	000	000	008	002	000	002	002	000
02	0501046884	1.1/2 X 1705 AXLE W/NUT		000	000	000	000	000	002	004	000	000	000
02..	0511049630	1.1/2 AXIS		000	000	000	000	000	000	000	002	000	000
02...	0521045341	AXLE		000	000	000	000	000	000	000	000	002	000
02....	0501044105	1.1/2 X 1305 AXLE W/NUT		000	000	000	000	000	000	000	000	000	006
02A	0501018720	1.1/2 X 1705 AXLE		000	000	000	000	000	002	004	000	000	000
02A..	0561019198	1.1/2 AXIS		000	000	000	000	000	000	000	002	000	000
02A...	0511012017	AXLE		000	000	000	000	000	000	000	000	002	000
02A....	0511011914	1.1/2 X 1305 AXLE		000	000	000	000	000	000	000	000	000	006
02B	0501810110	NUT 1.1/2		008	008	008	008	016	016	016	016	016	016
03	0501047055	BEARING	23	006	006	006	006	006	008	008	010	010	012
04	0502010627	SPACER		016	018	020	022	020	022	024	024	026	024
05	0502010871	1-1/2" EXTERNAL AXLE WASHER		002	002	002	002	004	002	002	002	002	004
06	0502010872	1-1/2" INNER AXLE WASHER		002	002	002	002	004	002	002	002	002	004
07	0501018592	1.5/8" NUT LOCK		004	004	004	004	008	004	004	004	004	008
08	0503011267	BOLT 5/8 UNC X 1.1/2 C S G.5 ZN		004	004	004	004	008	004	004	004	004	008
09	0503010027	5/8" SPRING WASHER		004	004	004	004	008	004	004	004	004	008
10	0503010013	5/8" NUT		004	004	004	004	008	004	004	004	004	008
11	0501042160	5/8" X 76 BOLT ASSY		012	012	012	012	018	012	012	012	012	018
11A	0501011234	5/8" X 3" BOLT		012	012	012	012	018	012	012	012	012	018
11B	0501010947	5/8 NUT LOCK		012	012	012	012	018	012	012	012	012	018
11C	0503010013	5/8" NUT		024	024	024	024	036	024	024	024	024	036

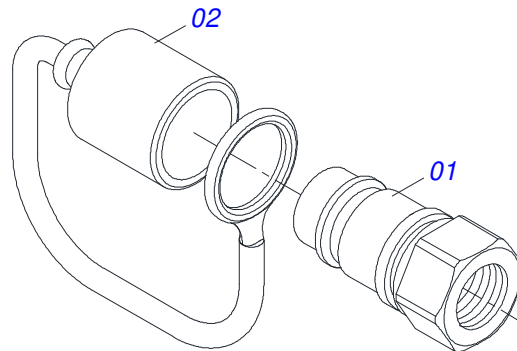


**BEARING**



Item	Code	Description	See page	QT
01	0502010540	HOUSING DM		01
02	0503010006	32210 ROLLER BEARING		02
03	0502040061	AXLE		01
04	0503030013	4.4" X 3.5" X 0.004" JOINT		03
05	0503030684	4.4" X 3.5" X 0.004" JOINT		02
06	0502020424	HOUSING CAP		01
07	0503010134	3/8" X 1" BOLT		04
08	0503030026	SEAL LP JB-253		02
09	0502010541	SEAL RETAINER		02
10	0502010604	OUTER FLANGE		01
11	0502010605	INNER FLANGE		01
12	0503010856	OIL PLUG		02





Item	Code	Description	See page	QT
01	0503011627	MALE QUICK COUPLER AGR 1/2 NPT		01
02	0503011882	MALE QUICK COUPLER CAP		01





***civemasa***

***Technical Publications | Elaboration and Revision***

LORENA ROCHA ALVES

[www.civemasa.com.br](http://www.civemasa.com.br)

