

# PARTS CATALOGUE

## DISK HARROWS

**Code:**

0501092882

**Product:**

GASPMC EHD 10020



**Series:**

S-0805

**Revision:**

00

**Revision Date:**

JANEIRO/2021

A solid orange horizontal bar at the top left of the page.

# PRODUCTS

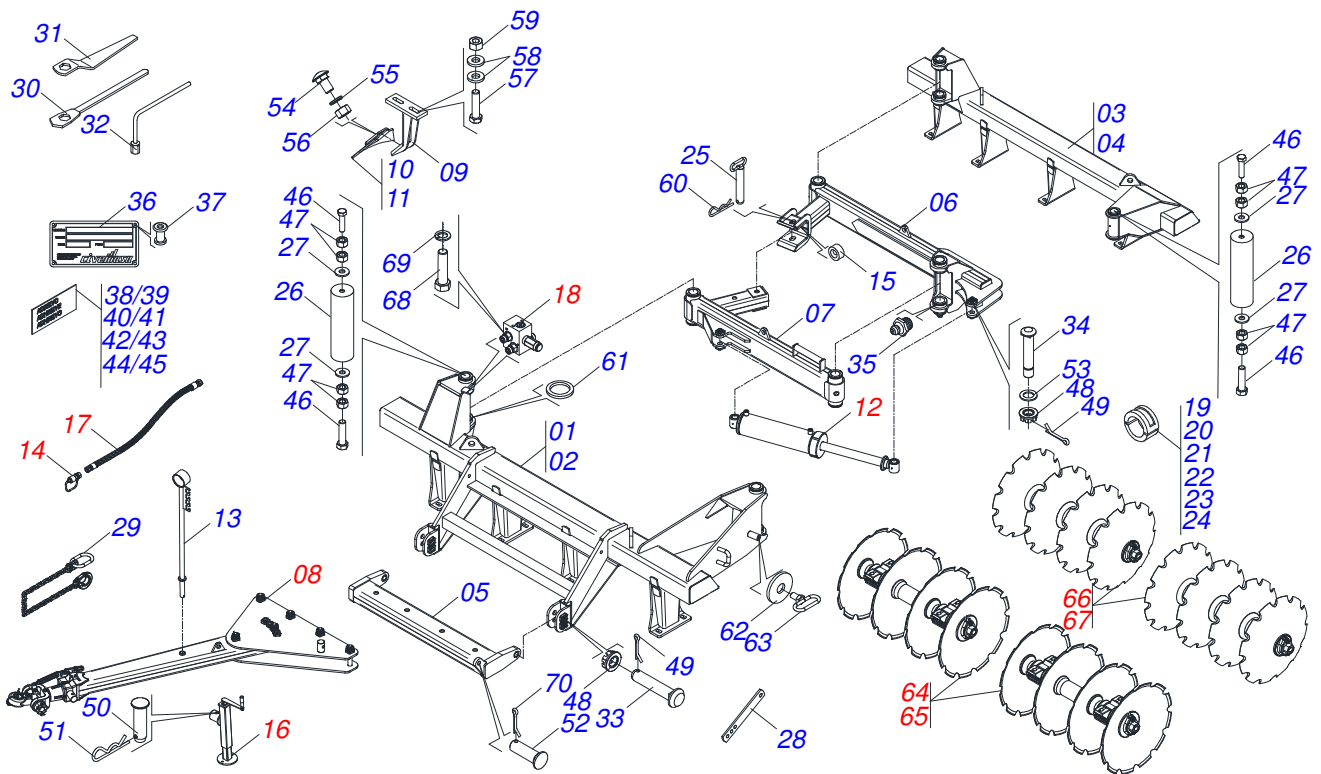
<b>Code</b>	<b>Description</b>
0121710002	GASPMC EHD 10020 16 X 40 X 12 DM S-0805
0121710006	GASPMC EHD 10020 16 X 42 X 12 DM S-0805
0121710003	GASPMC EHD 10020 20 X 40 X 12 DM S-0805

## **ATTENTION: IMPORTANT**

Civemasa reserves the right to improve and / or modify the technical features of its products, without obligation to do the same with those products already sold and without prior knowledge of the dealer or the consumer.

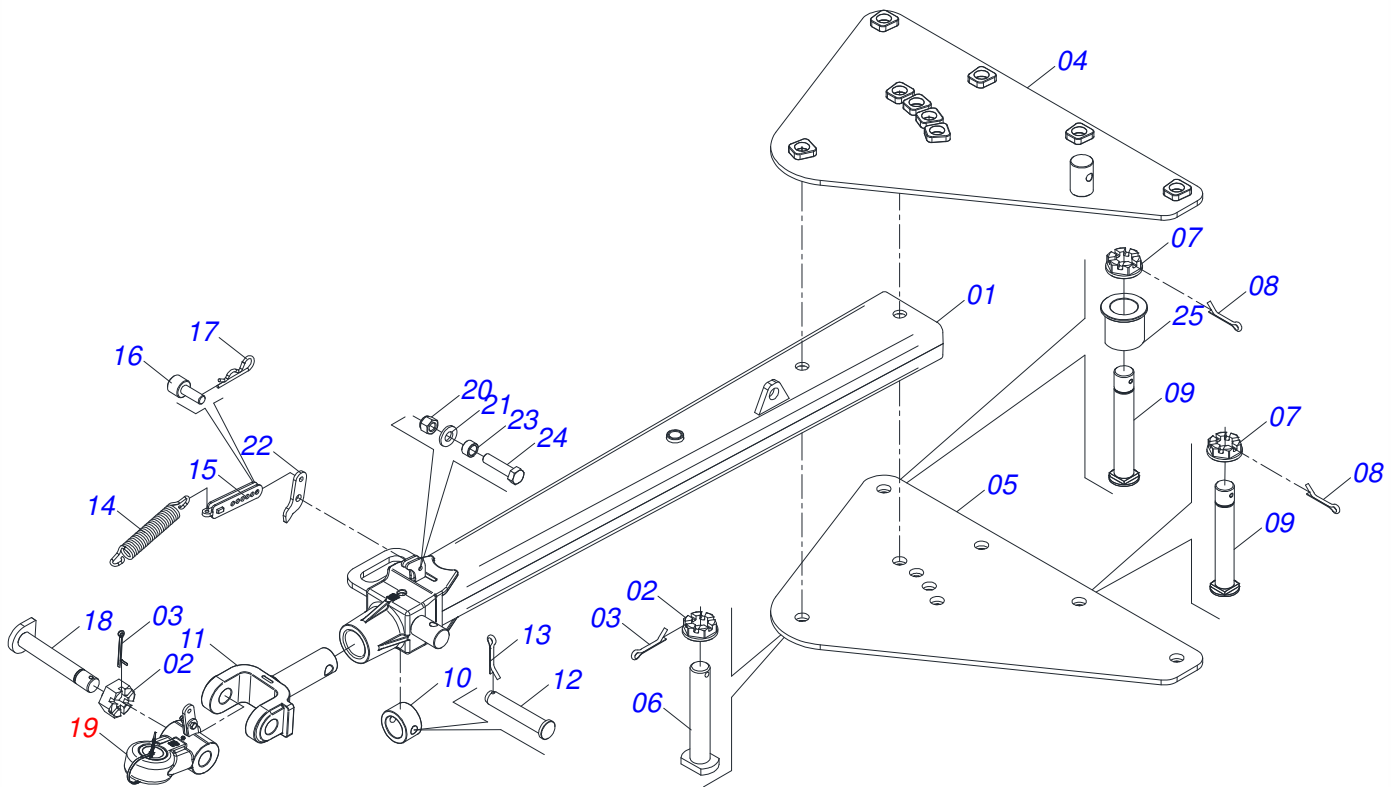
# INDEX

0909095546	FRAME ASSY	.....	1
0521041823	ASSY TRACTION BAR (PIN 3")	.....	2
0531040171	ASSY HITCH	.....	3
0511044812	63.5 X 150 X 950 X 55 HYDRAULIC CYLINDER	.....	4
0501053834	MALE QUICK COUPLER WITH CAP - 1/2 NPT	.....	5
0511048088	DRAWBAR JACK	.....	6
0909095556	HOSE ASSY 16/20D	.....	7
0501055696	DISCHARGE VALVE OFS ASSY	.....	8
0909095547	FRONT GANG DISC RIGHT / LEFT 16	.....	9
0909095549	FRONT GANG DISC RIGHT / LEFT 20	.....	10
0909095548	REAR GANG DISC RIGHT / LEFT 16	.....	11
0909095550	REAR GANG DISC RIGHT / LEFT 20	.....	12
0521049768	AGRICULTURAL BEARING	.....	13

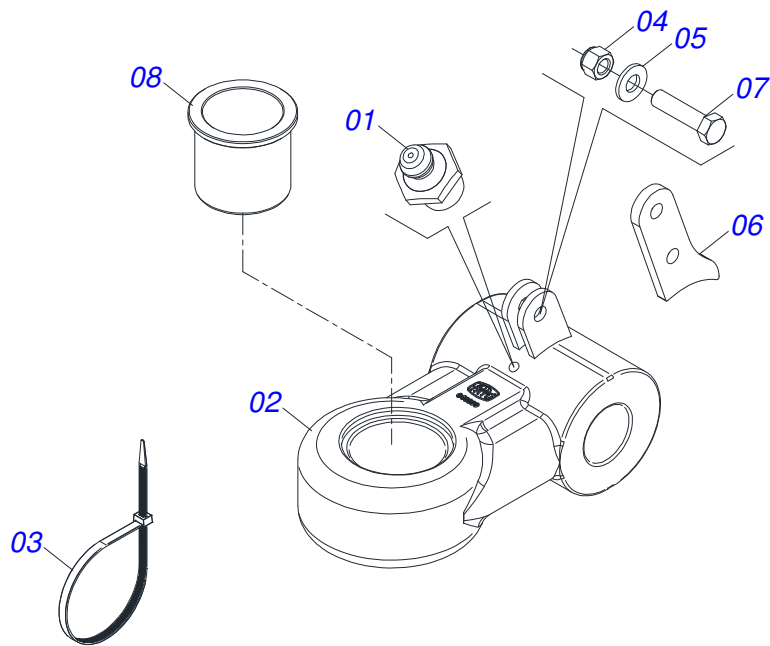


Item	Code	Description	See page	16	20
01	0521068208	FRONT FRAME - 16D		01	00
02	0531061066	FRONT FRAME - 20D		00	01
03	0521068209	REAR FRAME - 16D		01	00
04	0531061067	REAR FRAME - 20D		00	01
05	0521066793	OFFSET BAR		01	01
06	0511067192	REAR STABILIZER BAR		01	01
07	0511067182	FRONT STABILIZER BAR		01	01
08	0521041823	ASSY TRACTION BAR (PIN 3")	2	01	01
09	0511064771	FRONT SCRAPER SUPPORT		16	20
10	0521013678	FRONT CLEANER		08	10
11	0521013679	REAR CLEANER		08	10
12	0511044812	63.5 X 150 X 950 X 55 HYDRAULIC CYLINDER	4	01	01
13	0531061120	HOSE SUPPORT		01	01
14	0501053834	MALE QUICK COUPLER WITH CAP - 1/2 NPT	5	02	02
15	0521011481	FRAME BATTERY		01	01
16	0511048088	DRAWBAR JACK	6	01	01
17	0909095556	HOSE ASSY 16/20D	7	01	01
18	0501055696	DISCHARGE VALVE OFS ASSY	8	01	01
19	0511042161	2.1/2" ROD STOP ASSY		01	01
20	0511042162	2.1/2" ROD STOP ASSY		01	01
21	0511042163	2.1/2" ROD STOP ASSY		01	01
22	0511042164	2.1/2" ROD STOP ASSY		01	01
23	0511042165	2.1/2" ROD STOP ASSY		01	01
24	0511042166	2.1/2" ROD STOP ASSY		01	01
25	0501069350	230 PIVOT SHAFT WITH PULL		01	01
26	0541011899	2.9" X 20" COUPLING SHAFT		04	04
27	0511013244	FLAT WASHER		08	08
28	0541011205	DRAWBAR LOCK SAFETY		02	02
29	0503013150	1300 X 3/8 CHAIN		01	01
30	0501061044	2-1/8" AND 2-1/2" CABLE FLAT WRENCH		02	02
31	0501011432	1-1/2" AND 1-5/8 GANG BOLT WRENCH		01	01

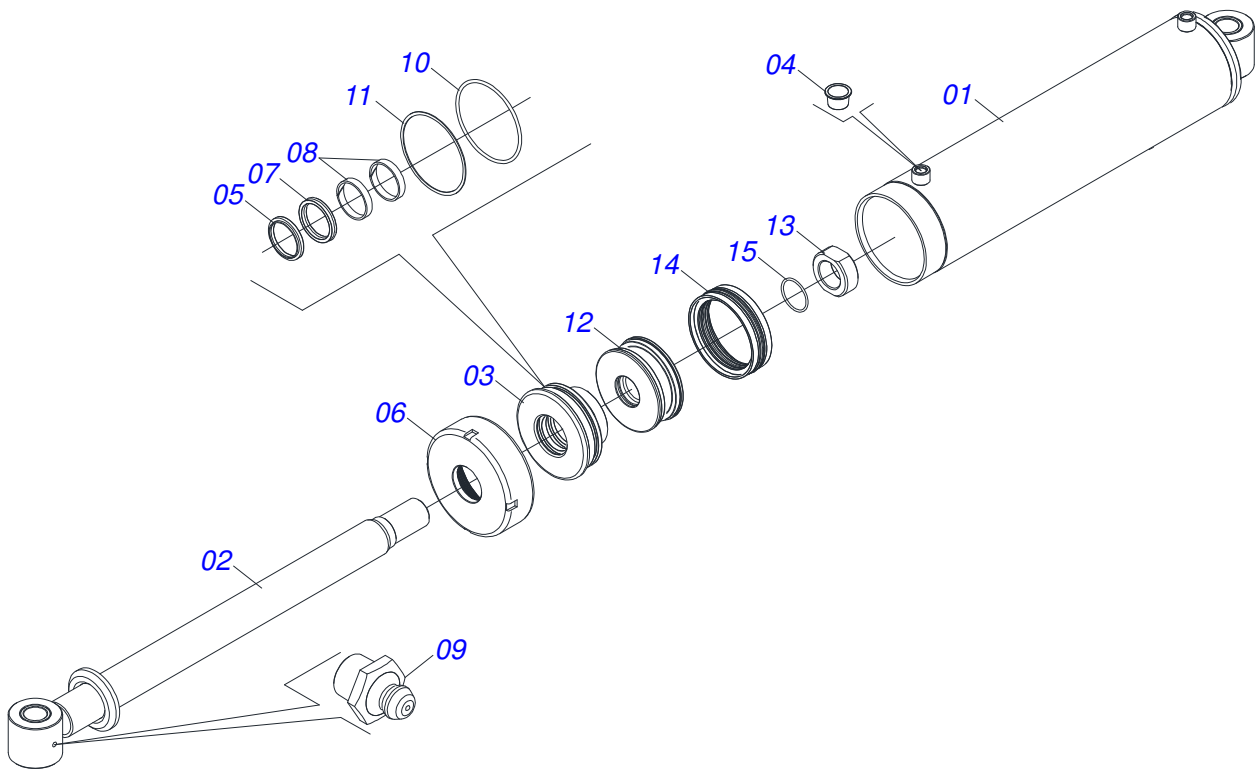
Item	Code	Description	See page	16	20
32	0503016137	1-1/4" WRENCH CABLE CYLINDER		01	01
33	0531018099	37,50 X 190 COUPLING SHAFT		02	02
34	0531018100	37,50 X 200 COUPLING SHAFT		02	02
35	0503010002	1800 GREASE FITTING		14	14
36	0503034004	ALUMINUM IDENTIFICATION LABEL		01	01
37	0503010001	3.2 X 5.5 RIVET		04	04
38	0503034589	BADGE GASPMC EHD 10020		01	01
39	0503031428	READ MANUAL DECAL		01	01
40	0503034438	ADHESIVE LABEL		01	01
41	0503031827	LUBRICATE AND RETIGHTEN DAILY DECAL		01	01
42	0503033038	DANGER SIGN		01	01
43	0503033647	APPROVED BADGE		01	01
44	0503031739	ADHESIVE LABEL		01	01
45	0503033238	BADGE		01	01
46	0503012660	1" X 4" BOLT		08	08
47	0503013635	1" NUT		16	16
48	0501011301	1.1/2 UNC 6FPP 2.5/16 NUT		04	04
49	0503010571	1/4" X 1.1/2 COTTERPIN		04	04
50	0561014251	COUPLING SHAFT		01	01
51	0503030012	HAIR PIN		01	01
52	0521010573	0.9" X 3.1" COUPLING SHAFT		02	02
53	0521011721	1.6" X 3.94" X 0.12" WASHER		02	02
54	0503012195	5/8" NUT		32	40
55	0503010027	5/8" SPRING WASHER		32	40
56	0503010013	5/8" NUT		32	40
57	0501010500	3/4"X3"BOLT		32	40
58	0541010763	FLAT WASHER		64	80
59	0503010014	3/4" NUT		32	40
60	0503031035	HAIR PIN		01	01
61	0541011534	FLAT WASHER		04	04
62	0521011722	FLAT WASHER		01	01
63	0501069343	WRENCH FIXER		01	01
64	0909095547	FRONT GANG DISC RIGHT / LEFT 16	9	01	00
65	0909095549	FRONT GANG DISC RIGHT / LEFT 20	10	00	01
66	0909095548	REAR GANG DISC RIGHT / LEFT16	11	01	00
67	0909095550	REAR GANG DISC RIGHT / LEFT 20	12	00	01
68	0503010237	3/8" X 1" BOLT		02	02
69	0503010025	3/8" SPRING WASHER		02	02
70	0503010010	1/4" X 2.1/2" COTTERPIN		04	04



Item	Code	Description	See page	QT
01	0521068249	BAR TRACTION (AXLE 2)		01
02	0502040558	2" CASTLE NUT		02
03	0503010074	3/8 X 0,15" COTTERPIN		02
04	0521068246	UPPER PLATE (AXLE 2)		01
05	0521068247	LOWER PLATE (AXLE 2)		01
06	0521068248	SHAFT JUNCTION WITH LOCK (50,80 X 273)		01
07	0501811301	CASTLE NUT		05
08	0503010010	1/4" X 2.1/2" COTTERPIN		05
09	0521811880	37,50 X 230 X PQ R.1./2 JUNCTION AXLE		05
10	0502040263	ANEL TRAVA ENGATE		01
11	1902040897	TRACTOR HITCH		01
12	0561017306	COUPLING SHAFT		01
13	0503010523	1/4" X 2" COTTERPIN		01
14	0503031741	1.8" X 11.4" 0.3" TRACTION SPRING		01
15	0531061607	SPRING REGULATOR		01
16	0591014558	SPRING REGULATOR FIXER AXLE		01
17	0503030285	HAIR PIN		01
18	0531061122	AXIS ARTICULATOR		01
19	0531040171	ASSY HITCH	3	01
20	0503010589	1/2" UNC SELF ADJUSTING NUT		01
21	0501010937	13.5 X 28 X 3 FLAT WASHER		01
22	0591014554	REAR EAR FIXING SPRING		01
23	0591014552	SLEEVE		01
24	0503010740	BOLT 1/2 UNC X 2 CS G.5 ZN		01
25	0591013086	SLEEVE		01

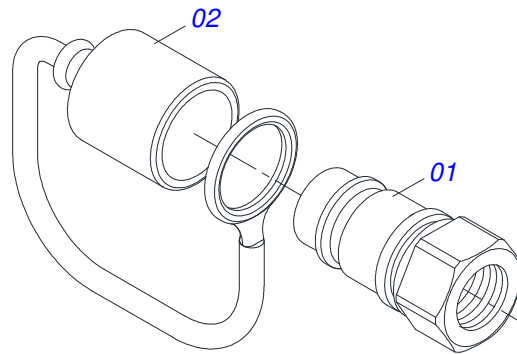


Item	Code	Description	See page	QT
001	0503010002	1800 GREASE FITTING		01
002	0531061121	HITCH		01
003	0503018829	NYLON CLAMP		01
004	0503010589	1/2" UNC SELF ADJUSTING NUT		01
005	0501010937	13.5 X 28 X 3 FLAT WASHER		01
006	0591014555	FRONT EAR FIXING SPRING		01
007	0503010740	BOLT 1/2 UNC X 2 CS G.5 ZN		01
008	0591013448	SLEEVE		01

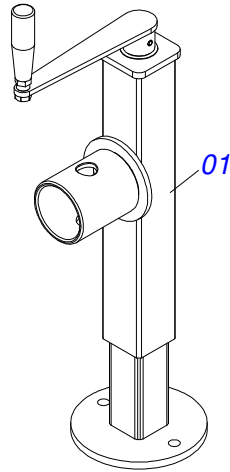


Item	Code	Description	See page	QT
01	0511067335	150 X 710 CYLINDER CASE		01
02	0521069121	TURNBUCKLE		01
03	0581018237	RING SUPPORT 63.50 X 150 X 80		01
04	0503030384	CON PLUG N-001		02
05	0503010287	D-2500 SCRAPER RING		01
06	0541010615	6" END CAP		01
07	0503014960	GASKET		01
08	0503010971	W2-2750-500 PK RING G.I		02
09	0503010002	1800 GREASE FITTING		02
10	0503010704	2-357 N 3006-9B O'RING		01
11	0503019286	BACK-UP RING 8-357		01
12	0581018236	PISTON 150 X 57 GASPM EHD 16		01
13	0581018235	10 X 30 NUT		01
14	0503015912	SELEMASTER SEALING		01
15	0503019098	O' RING 2-227 N 3006-90B		01

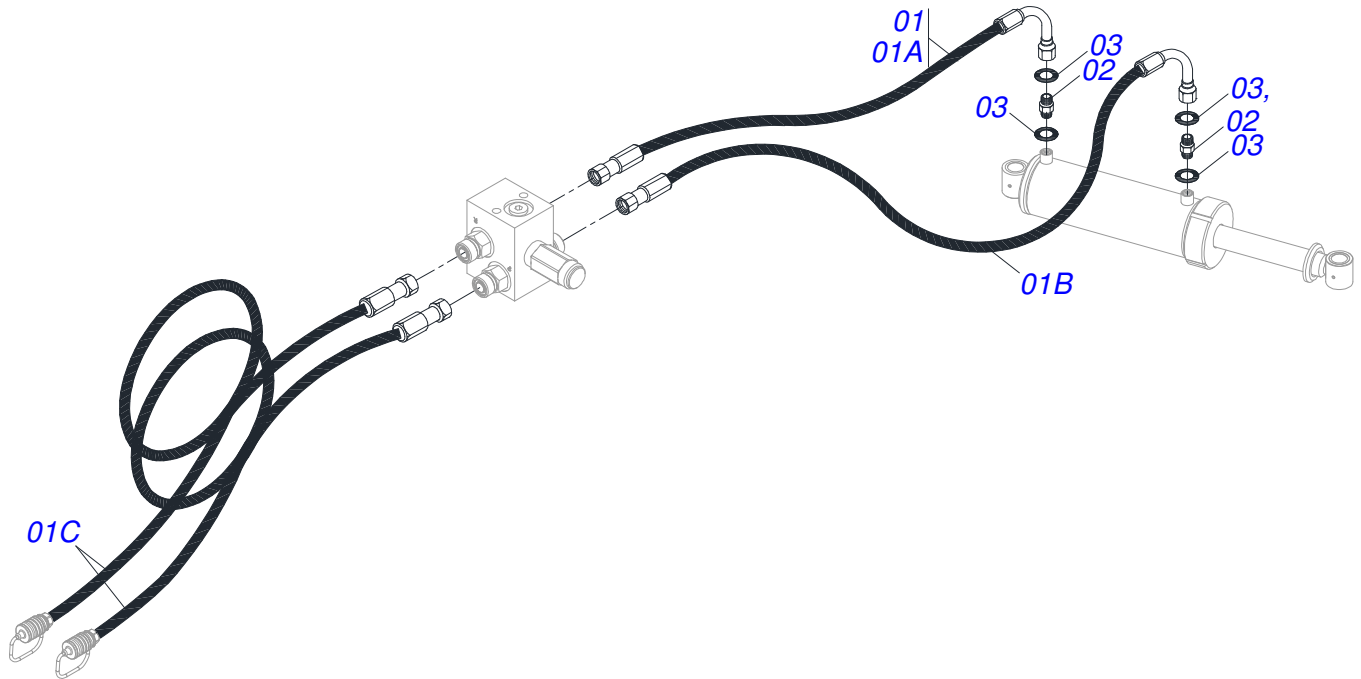




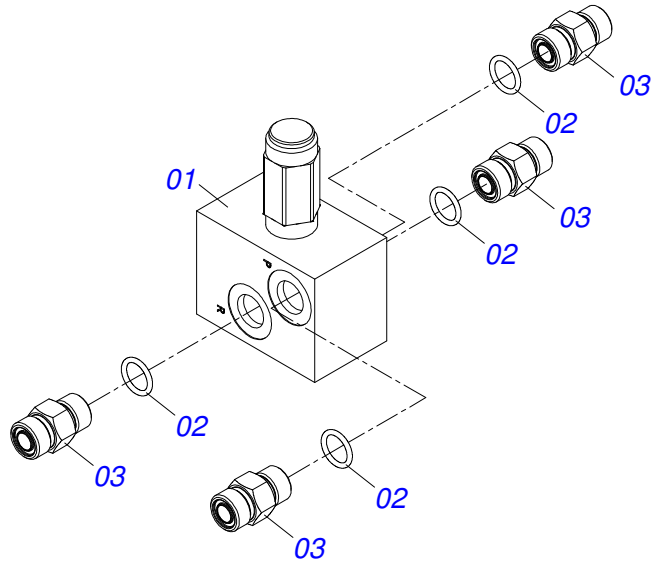
Item	Code	Description	See page	QT
01	0503011627	MALE QUICK COUPLER AGR 1/2 NPT		01
02	0503011882	MALE QUICK COUPLER CAP		01



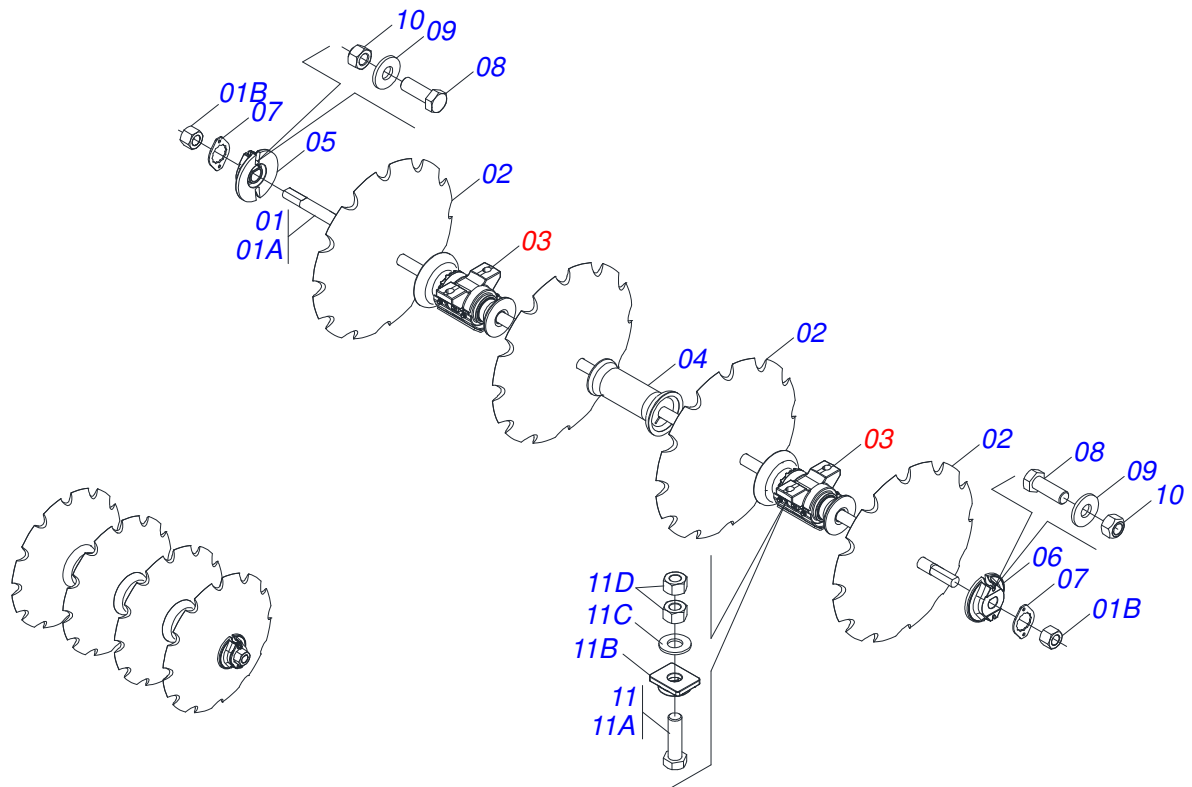
Item	Code	Description	See page	QT
01	0503062227	DRAWBAR JACK		01



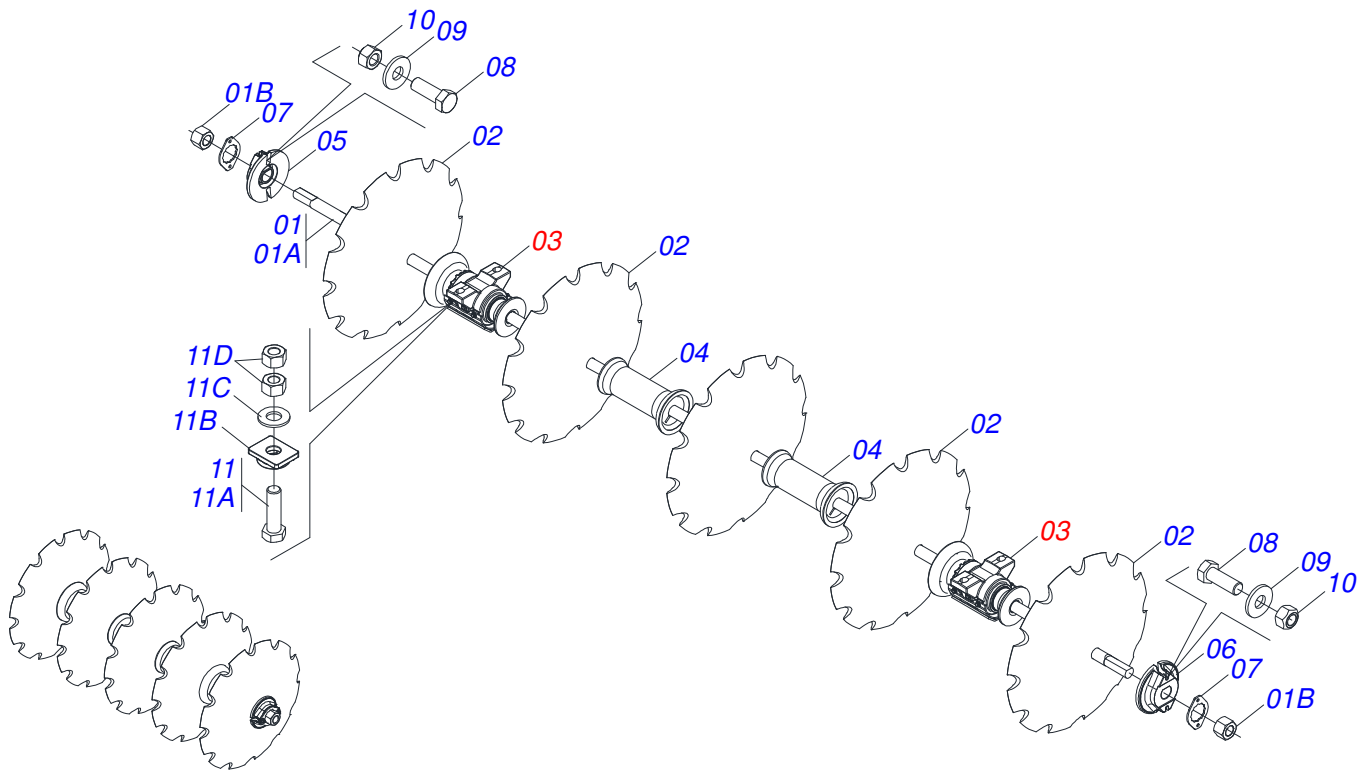
Item	Code	Description	See page	QT
01	0511053004	HOSE ASSY		01
01A	0501080969	1/2" X 750 TR-TC OFS HOSE		01
01B	0501080986	1/2" X 55.12" TR-TC HOSE ASSY		01
01C	0501080917	1/2" X 5500 TR-TM HOSE ASSY		02
02	0503030923	3/4" UNF X 13/16UN OFS X 40 NIPPLE		02
03	0503011030	2-014 N 3006-9B O'RING		04



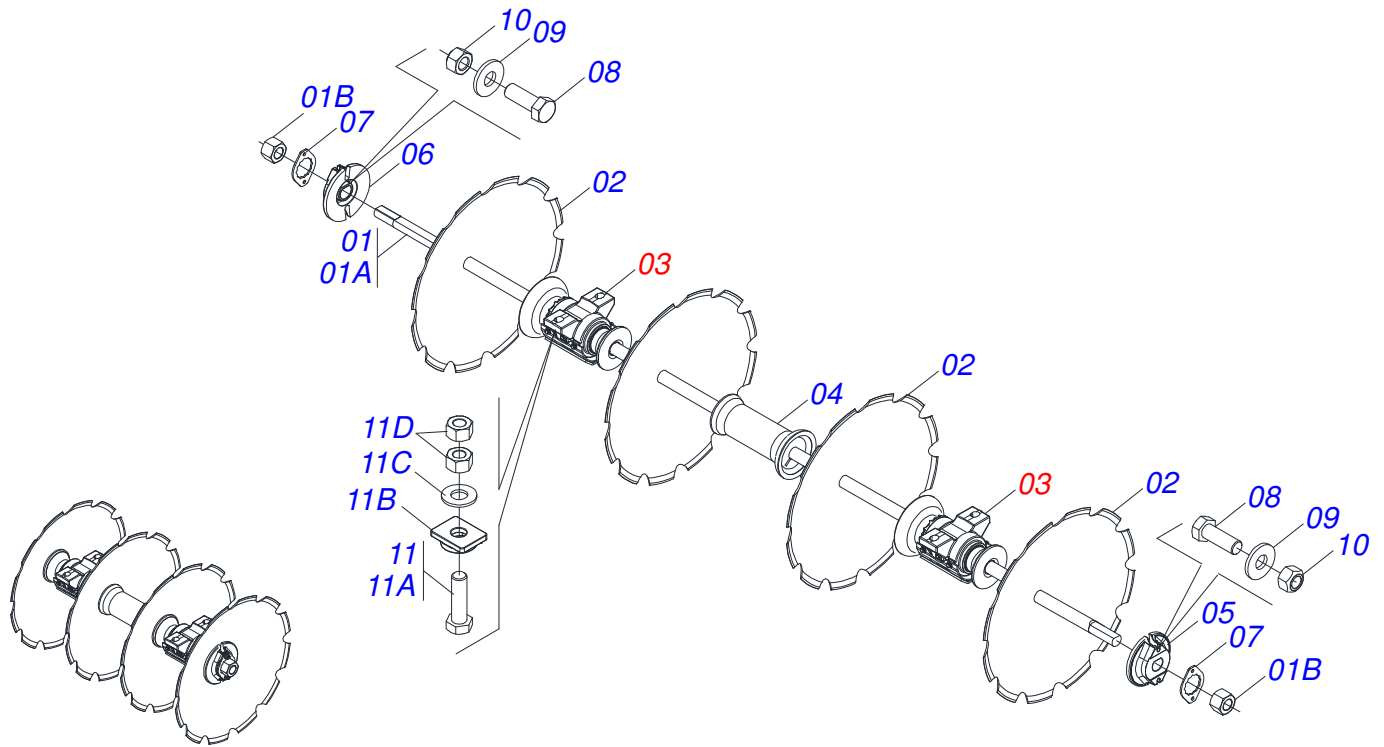
Item	Code	Description	See page	QT
01	0503010919	DISCHARGE VALVE		01
02	0503010190	2-114 N 3006-9B O'RING		04
03	0503030923	3/4" UNF X 13/16UN OFS X 40 NIPPLE		04



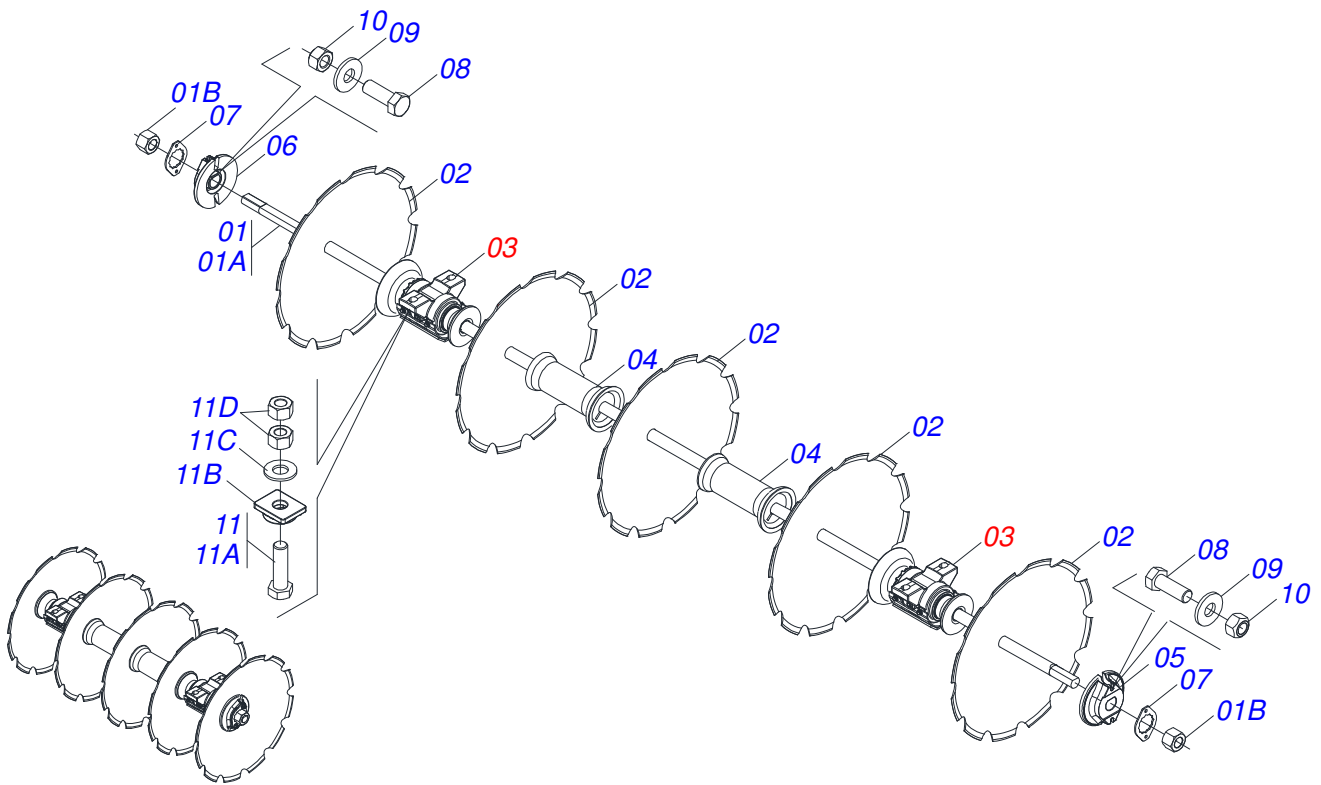
Item	Code	Description	See page	QT
01	0511044898	2.1/2 X 1810 AXLE WITH NUTS		02
01A	0551010075	2.1/2 X 1810 AXLE		01
01B	0502040064	2.1/2"SNC X 70 99 NUT		02
02	0602052022	42" X 12MM NOTCHED DISK		08
02.	0602051017	NOTCHED DISK		08
03	0521049768	AGRICULTURAL BEARING	13	04
04	0502012414	SPACER		02
05	0502012938	INTERNAL AXLE LOCK		02
06	0502012939	EXTERNAL SHAFT LOCK		02
07	0541010368	NUT LOCK		04
08	0503010232	5/8" X 1.3/4" BOLT		08
09	0501012140	FLAT WASHER		08
10	0503012412	5/8 UNC SELF LOCKING NUT		08
11	0501041301	1-1/4"X 5-3/4" ASSY BOLT		08
11A	0501010954	1-1/4" X 5-3/4" BOLT		01
11B	0501010953	1-1/4" SQUARE WASHER		01
11C	0531010713	FLAT WASHER		01
11D	0501010087	1.1/4" NUT		02



Item	Code	Description	See page	QT
01	0511042421	2-1/2" X 91.7" AXLE WITH NUTS		02
01A	0541011893	2-1/2" X 91.7" AXLE		01
01B	0502040064	2.1/2"SNC X 70 99 NUT		02
02	0602051003	40" X 12MM NOTCHED DISC BLADE		10
03	0521049768	AGRICULTURAL BEARING	13	04
04	0502012414	SPACER		04
05	0502012938	INTERNAL AXLE LOCK		02
06	0502012939	EXTERNAL SHAFT LOCK		02
07	0541010368	NUT LOCK		04
08	0503010232	5/8" X 1.3/4" BOLT		08
09	0501012140	FLAT WASHER		08
10	0503012412	5/8 UNC SELF LOCKING NUT		08
11	0501041301	1-1/4"X 5-3/4" ASSY BOLT		08
11A	0501010954	1-1/4" X 5-3/4" BOLT		01
11B	0501010953	1-1/4" SQUARE WASHER		01
11C	0531010713	FLAT WASHER		01
11D	0501010087	1.1/4" NUT		02

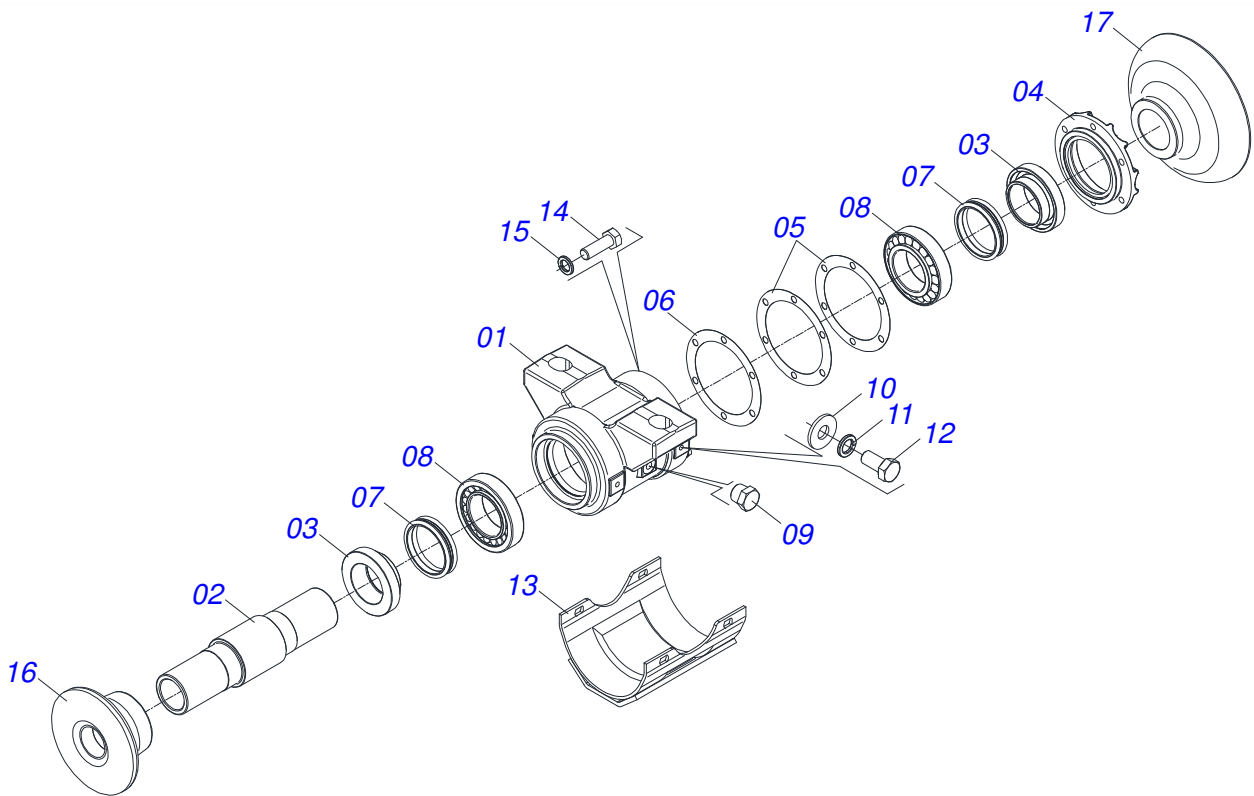


Item	Code	Description	See page	QT
01	0511044898	2.1/2 X 1810 AXLE WITH NUTS		02
01A	0551010075	2.1/2 X 1810 AXLE		01
01B	0502040064	2.1/2"SNC X 70 99 NUT		02
02	0602052022	42" X 12MM NOTCHED DISK		08
02.	0602051017	NOTCHED DISK		08
03	0521049768	AGRICULTURAL BEARING	13	04
04	0502012414	SPACER		02
05	0502012938	INTERNAL AXLE LOCK		02
06	0502012939	EXTERNAL SHAFT LOCK		02
07	0541010368	NUT LOCK		04
08	0503010232	5/8" X 1.3/4" BOLT		08
09	0501012140	FLAT WASHER		08
10	0503012412	5/8 UNC SELF LOCKING NUT		08
11	0501041301	1-1/4"X 5-3/4" ASSY BOLT		08
11A	0501010954	1-1/4" X 5-3/4" BOLT		01
11B	0501010953	1-1/4" SQUARE WASHER		01
11C	0531010713	FLAT WASHER		01
11D	0501010087	1.1/4" NUT		02



Item	Code	Description	See page	QT
01	0511042421	2-1/2" X 91.7" AXLE WITH NUTS		02
01A	0541011893	2-1/2" X 91.7" AXLE		01
01B	0502040064	2.1/2"SNC X 70 99 NUT		02
02	0602051003	40" X 12MM NOTCHED DISC BLADE		10
03	0521049768	AGRICULTURAL BEARING	13	04
04	0502012414	SPACER		04
05	0502012938	INTERNAL AXLE LOCK		02
06	0502012939	EXTERNAL SHAFT LOCK		02
07	0541010368	NUT LOCK		04
08	0503010232	5/8" X 1.3/4" BOLT		08
09	0501012140	FLAT WASHER		08
10	0503012412	5/8 UNC SELF LOCKING NUT		08
11	0501041301	1-1/4"X 5-3/4" ASSY BOLT		08
11A	0501010954	1-1/4" X 5-3/4" BOLT		01
11B	0501010953	1-1/4" SQUARE WASHER		01
11C	0531010713	FLAT WASHER		01
11D	0501010087	1.1/4" NUT		02





Item	Code	Description	See page	QT
001	0502012415	HOUSING BEARING		01
002	0502012226	425 BEARING AXLE		01
003	0502040119	SEAL RETAINER		02
004	0502010644	HOUSING CAP DM		01
005	0503030537	8.3" X 6.3" X 0.01" JOINT		02
006	0503030687	8.3" X 6.3" X 0.004" JOINT		01
007	0503030029	SEAL # LP JB-259		02
008	0503013243	32218 ROLLER BEARING		02
009	0503010856	OIL PLUG		02
010	0511017302	FLAT WASHER		04
011	0503010019	1/2" SPRING WASHER		04
012	0503010834	1/2 X 1 BOLT		04
013	0521062889	PROTECTION CAP		01
014	0503010920	1/2" X 1.1/2" BOLT		06
015	0503011440	SPRING WASHER		06
016	0502012846	BEARING INNER FLANGE		01
017	0502012937	OUTER FLANGE		01
018	3402301247	MINERAL OIL GREASE		01





***CIVEMASA***

[www.civemasa.com.br](http://www.civemasa.com.br)



**Technical Publications | Elaboration and Revision**  
LORENA ROCHA ALVES