

PARTS CATALOGUE

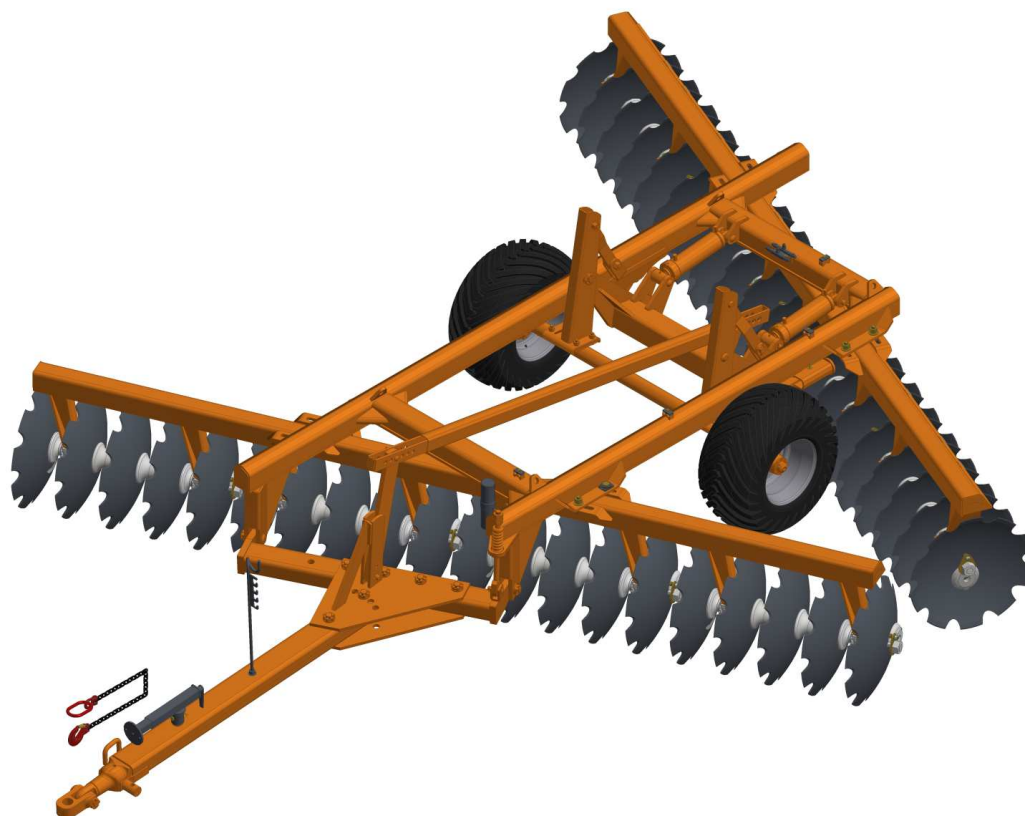
DISK HARROWS

Code:

0501092820

Product:

SIC 32/40D - EIXO 1.5/8" - PN400/60



Series:

S-0412

Revision:

00

Revision Date:

FEVEREIRO/2021




PRODUCTS

Code	Description
0121140080	SIC 32 X 28 X 6,0 DM DR EIXO 1.5/8 PN400/60 S-0412
0121140089	SIC 32 X 28 X 7,5 DM DR EIXO 1.5/8 PN400/60 S-0412
0121140095	SIC 40 X 28 X 7,5 DM DR PN400/60 S-0412

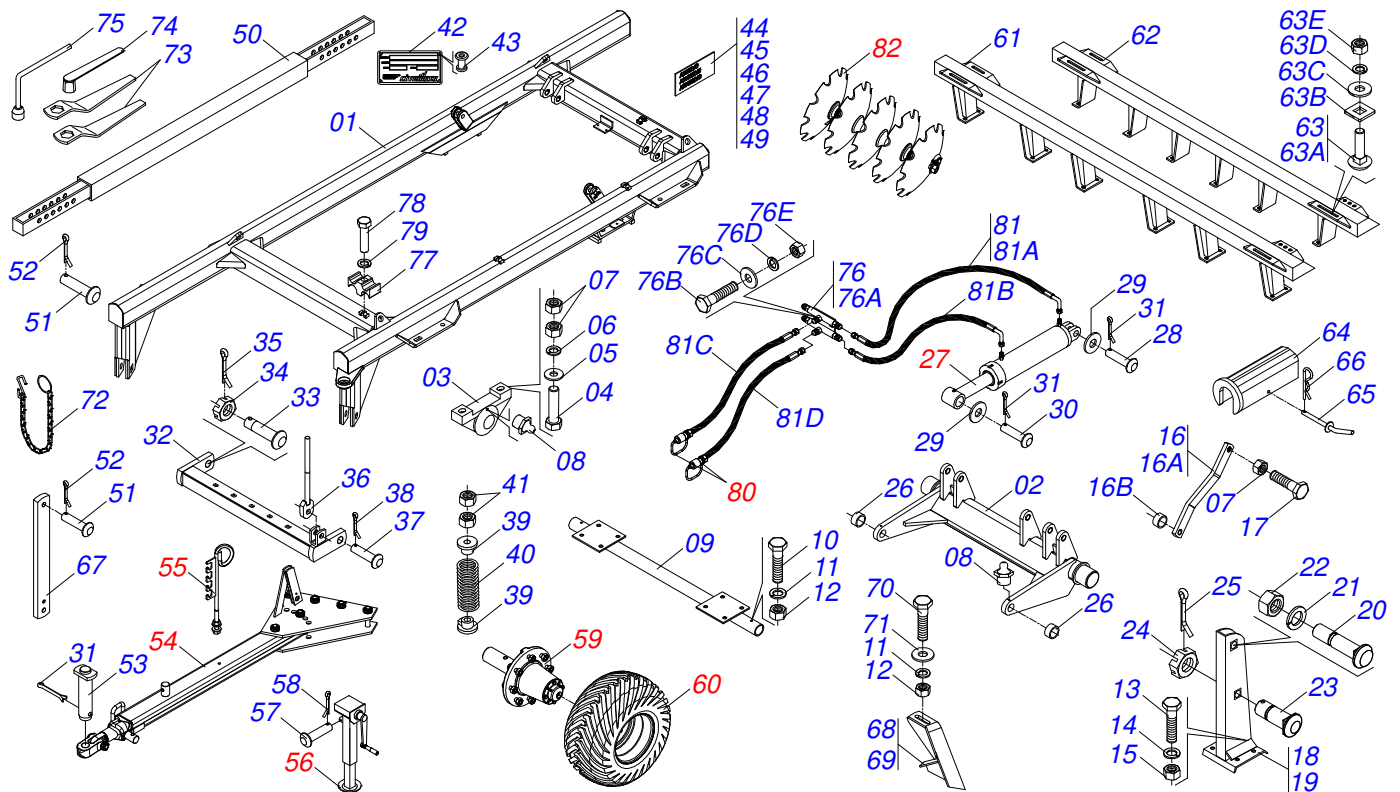
ATTENTION: IMPORTANT

Civemasa reserves the right to improve and / or modify the technical features of its products, without obligation to do the same with those products already sold and without prior knowledge of the dealer or the consumer.



INDEX

0909099269	ASSY FRAME	1
0511059181	HYDRAULIC CYLINDER 50,80X101,60X515X248	2
0501046307	DRAWBAR ASSY	3
0501040257	3/4 X 1200 HOSE HOLDER A	4
0511048088	DRAWBAR JACK	5
0501051885	CARRYING-WHEELS	6
0503060102	WHEEL AND TIRE	7
0501053834	MALE QUICK COUPLER WITH CAP - 1/2 NPT	8
0909099270	DISC SECTION 32/40D	9
0501046925	262 X 1-5/8" OIL BATH BRG ASSY,FG	10



Item	Code	Description	See page	32	40
01	0521063229	FRAME		01	01
02	0501067244	WHEELS		01	01
03	0502010972	ARTICULACION BEARING		02	02
04	0503011432	BOLT		04	04
05	0501010065	1" SPRING WASHER		04	04
06	0503011438	SPRING WASHER		04	04
07	0501010059	1.5/8 NUT		08	08
08	0503010002	1800 GREASE FITTING		04	04
09	0511069623	WHEEL SISTEM FIXER		01	01
10	0503010706	SCREW 1/2 UNC X 4.1/2 C S G.5 ZN		02	02
11	0503010019	1/2" SPRING WASHER		02	02
12	0503010060	1/2" NUT		02	02
13	0501010125	3/4" X 2-1/2" BOLT		08	08
14	0503011442	3/4" SPRING WASHER		08	08
15	0503010014	3/4" NUT		08	08
16	0501110404	SUPPORT BAR		02	02
16A	0501019347	SUPPORT BAR		01	01
16B	0511019921	1.3" X 0.1" X 1" SLEEVE		02	02
17	0503011432	BOLT		02	02
18	0501068260	RIGHT SUSPENSION TOWER		01	01
19	0501068261	LEFT SUSPENSION TOWER		01	01
20	0511017974	1 U BOLT OF THE SUSPENSION TOWER		02	02
21	0503011438	SPRING WASHER		04	04
22	0501010059	1.5/8 NUT		04	04
23	0511018006	1-1/2 X 4.13" U BOLT OF SUSP TOWER		02	02
24	0501011301	1.1/2 UNC 6FPP 2.5/16 NUT		02	02
25	0503010010	1/4" X 2.1/2" COTTERPIN		02	02
26	0521010737	2" X 1.5" X 1.4" SLEEVE		02	02
27	0511059181	HYDRAULIC CYLINDER 50,80X101,60X515X248	2	02	02
28	0511010174	1.2" X 5.9" COUPLING SHAFT		02	02
29	0501017779	32 X 60 X 4.75 FLAT WASHER		04	04

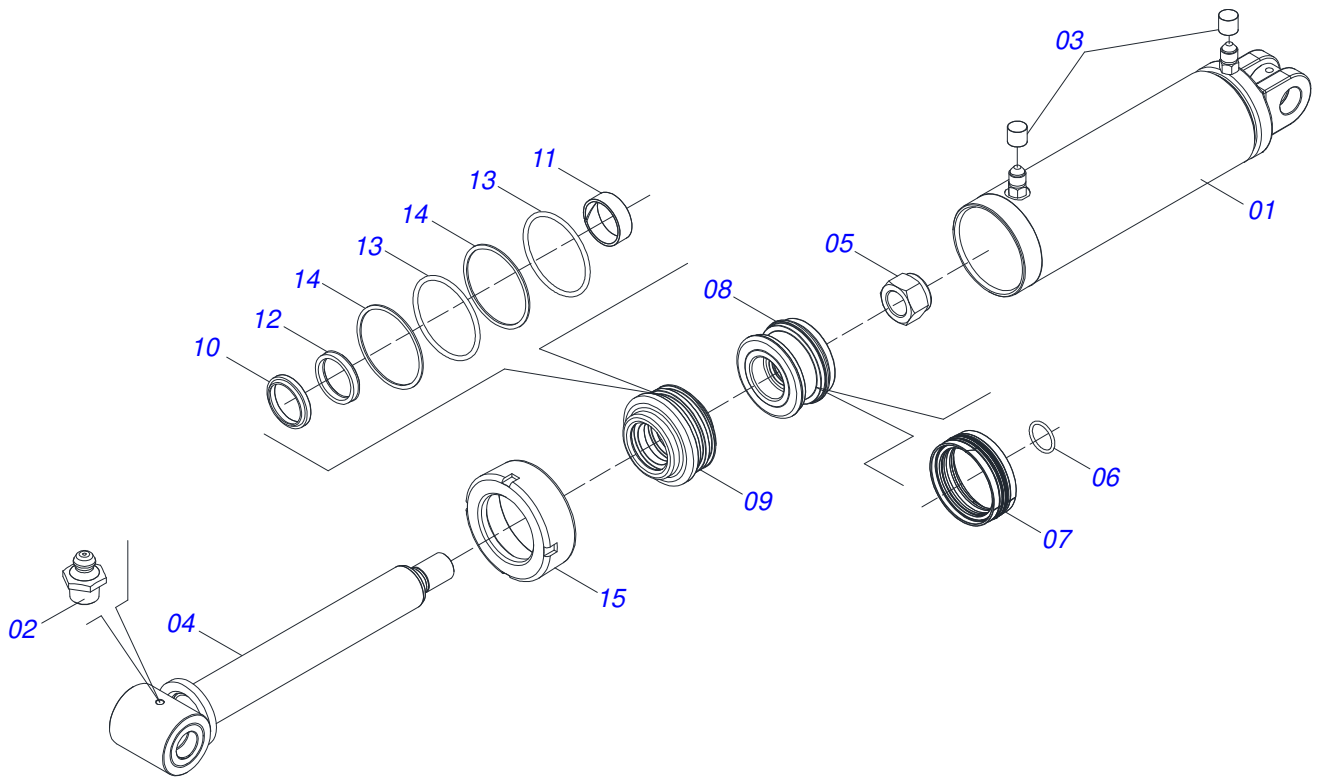
ASSY FRAME

Item	Code	Description	See page	32	40
30	0521010547	1.2" X 6.5" COUPLING SHAFT		02	02
31	0503010523	1/4" X 2" COTTERPIN		04	04
32	0501067241	OFFSET BAR		01	01
33	0521017538	11-1/2" X 5" COUPLING SHAFT		02	02
34	0501011301	1.1/2 UNC 6FPP 2.5/16 NUT		02	02
35	0503010010	1/4" X 2.1/2" COTTERPIN		02	02
36	0501064699	SPRING ROD		01	01
37	0521810592	COUPLING SHAFT		01	01
38	0503010571	1/4" X 1.1/2 COTTERPIN		01	01
39	1902020394	SPRING SUPPORT		02	02
40	0503030441	12.7" X 5.7" X 0.5"SPRING		01	01
41	0501810087	NUT - 1.1/4 UNC 7FPP (SEXT.2) SA		02	02
42	0503034004	ALUMINUM IDENTIFICATION LABEL		01	01
43	0503010001	3.2 X 5.5 RIVET		04	04
44	0503034278	EMBLEM		02	02
45	0503034277	EMBLEM CIVEMASA 600 X 90		02	02
46	0503033647	APPROVED BADGE		01	01
47	0503031827	LUBRICATE AND RETIGHTEN DAILY DECAL		01	01
48	0503031428	READ MANUAL DECAL		01	01
49	0503033038	DANGER SIGN		02	02
50	0501067243	STABILIZER BAR		01	01
51	0521810575	COUPLING SHAFT		01	01
52	0503010571	1/4" X 1.1/2 COTTERPIN		02	02
53	0521812538	COUPLING SHAFT		01	01
54	0501046307	DRAWBAR ASSY	3	01	01
55	0501040257	3/4 X 1200 HOSE HOLDER A	4	01	01
56	0511048088	DRAWBAR JACK	5	01	01
57	0561014251	COUPLING SHAFT		01	01
58	0503030012	HAIR PIN		01	01
59	0501051885	CARRYING-WHEELS	6	02	02
60	0503060102	WHEEL AND TIRE	7	02	02
61	0521062141	FRONT FRAME		01	01
61.	0521062201	FRONT FRAME		00	01
62	0521062142	REAR FRAME		01	01
62.	0521062202	REAR FRAME		00	01
63	0501040877	C1" X 3-1/4" ASSY BOLT		08	08
63A	0501010171	PARAFUSO 1 UNC X 3.1/2 C S G.5		01	01
63B	0502012861	1" SQUARE WASHER		01	01
63C	0501010065	1" SPRING WASHER		01	01
63D	0503010012	1" SPRING WASHER		01	01
63E	0501010059	1.5/8 NUT		01	01
64	0501066386	TRANSPORT LOCK 9.54"		02	02
65	0501068994	0.3" X 3.1"LOCK PIN		02	02
66	0503030168	HAIR PIN		02	02
67	0511013526	STABILIZER BAR TOWER		01	01
68	0501065827	FRONT CLEANER		09	11
69	0501065828	REAR CLEANER		09	11
70	0503010740	BOLT 1/2 UNC X 2 CS G.5 ZN		36	76
71	0511017302	FLAT WASHER		72	152
72	0503013150	1300 X 3/8 CHAIN		01	01
73	0501011431	1-3/4" GANG BOLT WRENCH		02	02
74	0501061617	1" GANG BOLT WRENCH		01	01
75	0503016140	3/4" WRENCH CABLE CYLINDRICAL		01	01
76	0501051611	CONNECTION ASSY		01	01
76A	0501068706	DOUBLE CONNECTION		01	01
76B	0503010237	3/8" X 1" BOLT		02	02
76C	0501010984	FLAT WASHER		02	02
76D	0503010025	3/8" SPRING WASHER		02	02
76E	0503010026	3/8" NUT		02	02

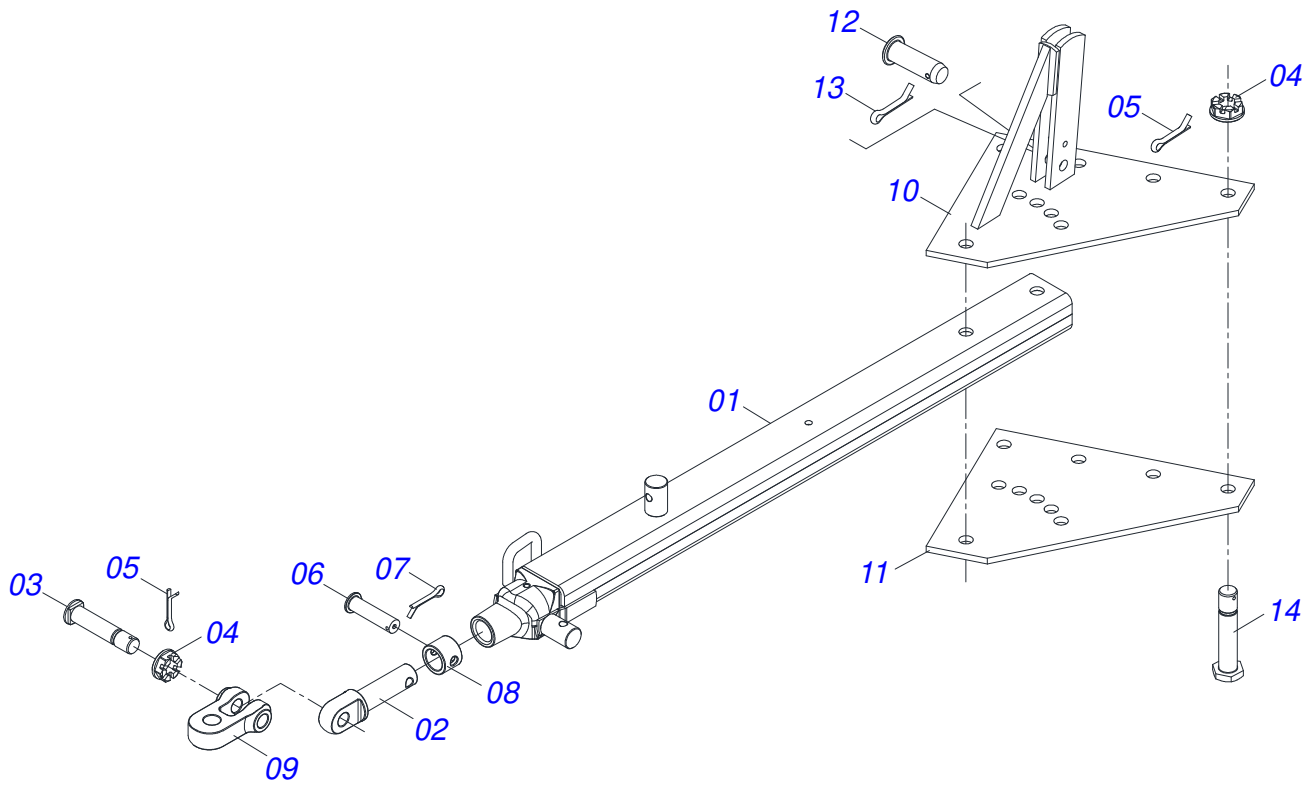
ASSY FRAME

0909099269

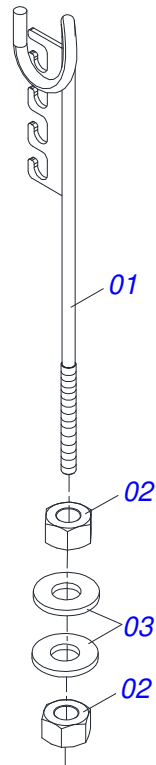
Item	Code	Description	See page	32	40
77	0502012702	BODY SUPPORT CLAMP		04	05
78	0503012555	SCREW 7/16 UNC X 2 CS RT G.7 ZN		04	05
79	0503010180	7/16" SPRING WASHER		04	05
80	0501053834	MALE QUICK COUPLER WITH CAP - 1/2 NPT	8	02	02
81	0501051043	HOSE ASSY		01	01
81A	0501080054	3/8" X 17" TR-TC HOSE ASSY		02	02
81B	0501080413	3/8" X 27" TR-TC HOSE		02	02
81C	0501080458	3/8" X 315" TC-TM HOSE ASSY		01	01
81D	0501080459	3/8" X 322" TC-TM HOSE ASSY		01	01
82	0909099270	DISC SECTION 32/40D	9	01	01



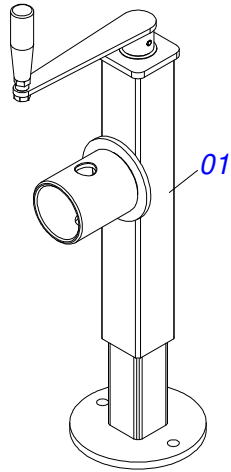
Item	Code	Description	See page	QT
001	0501067256	4" X 16" CYLINDER CASE		01
002	0503010002	1800 GREASE FITTING		02
003	0503030385	CYLINDER PLUG N-002		02
004	0521066345	50,80 X 452 TURNBUCLE		01
005	0503010817	1.1/4" SELF LOCKING NUT		01
006	0503010345	2-218 N 3006-9B O'RING		01
007	0503015633	SELEMASTER SEALING		01
008	0502012842	50,80 X 101,60 PISTON		01
009	0581010678	50,80 X 101 RING SUPPORT		01
010	0503015636	SCRAPER SEAL		01
011	0503018025	RING GUIDE		01
012	0503018026	1870-2000-375 B GASKET		01
013	0503010338	2-342 N 3006-9B O'RING		02
014	0503011061	8-342 BACK-UP RING		02
015	0502012822	101.60 END CAP		01



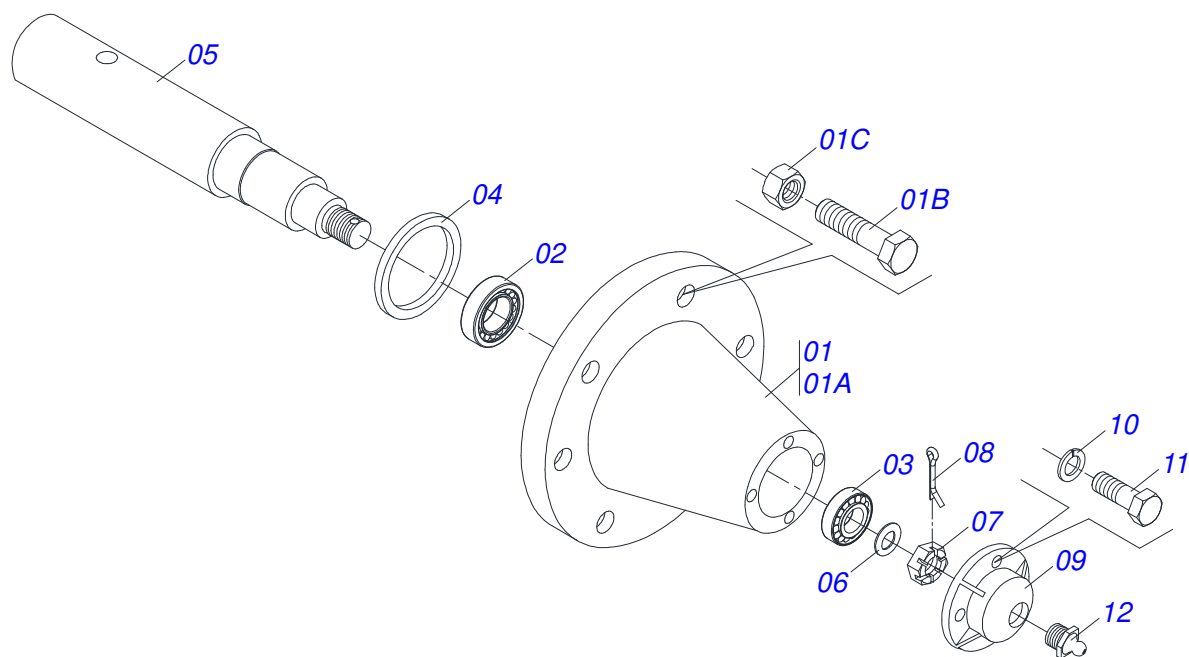
Item	Code	Description	See page	QT
01	0501069323	DRAWBAR ASSY		01
02	1902040223	PIN HITCH		01
03	0521012545	COUPLING SHAFT		01
04	0501011301	1.1/2 UNC 6FPP 2.5/16 NUT		07
05	0503010010	1/4" X 2.1/2" COTTERPIN		07
06	0511014902	COUPLING SHAFT		01
07	0503010571	1/4" X 1.1/2 COTTERPIN		01
08	1902040327	LOCK SLEEVE		01
09	1902040732	COUPLING		01
10	0501067250	UPPER PLATE WITH SUPPORT		01
11	0511016137	UPPER /LOWER PLATE		01
12	0521010779	31.75 X 95 COUPLING SHAFT		01
13	0503010523	1/4" X 2" COTTERPIN		01
14	0501016419	1-1/2" X 7.5" BOLT		06



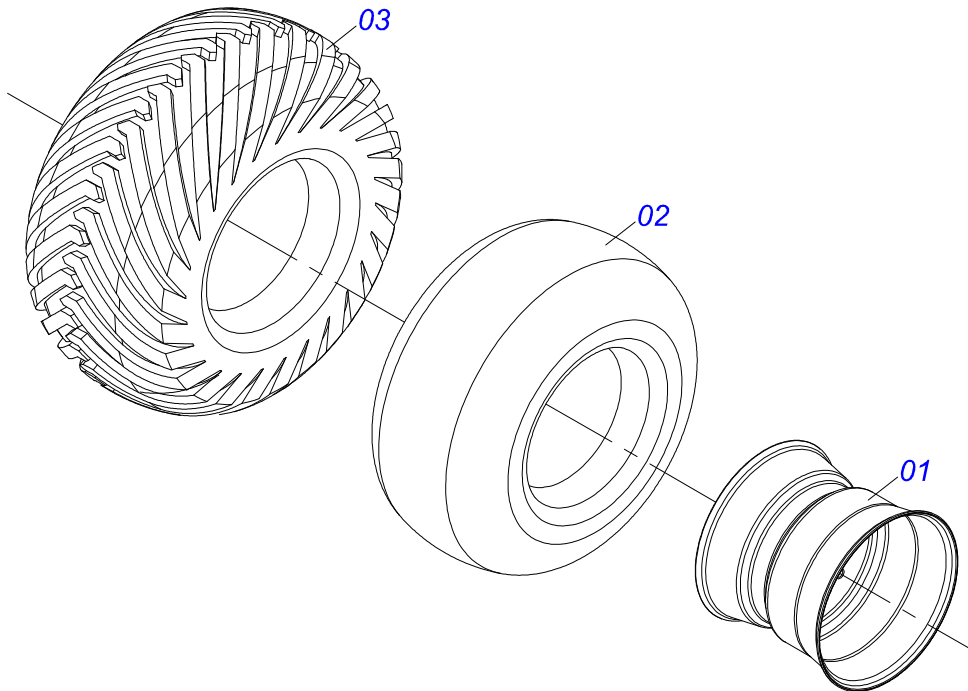
Item	Code	Description	See page	QT
01	0511067334	HOSE SOPPORT ASSY		01
02	0503010014	3/4" NUT		02
03	0501010322	FLAT WASHER		02



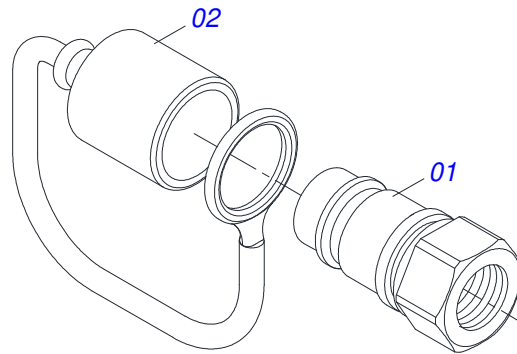
Item	Code	Description	See page	QT
01	0503062227	DRAWBAR JACK		01



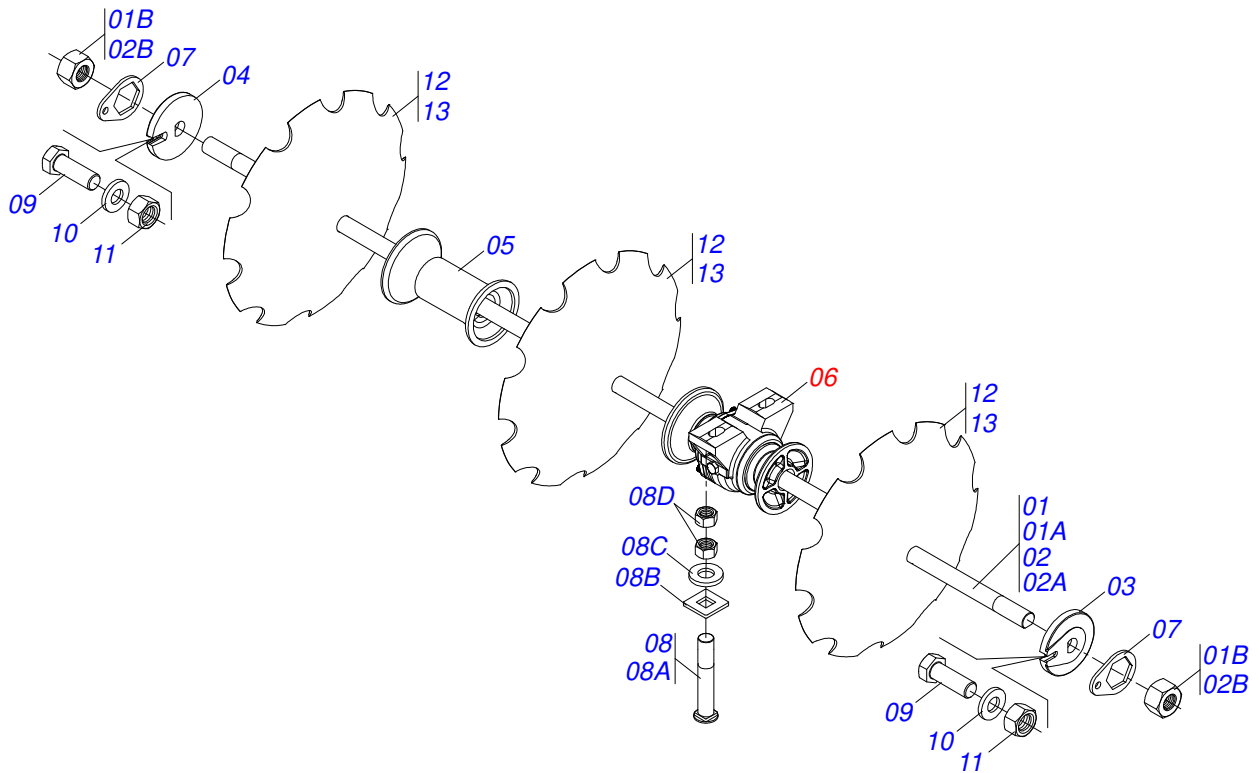
Item	Code	Description	See page	QT
01	0501110738	CARRYING WHEEL HUB		01
01A	0502012260	CAIXA RODADO TRANSPORTE		01
01B	0503010064	5/8 UNF CONIC NUT		08
01C	0501010186	WHEEL SCREW 5/8UNF X 2.1/8CR		08
02	0503011156	ROLAMENTO 2780/2720 IMP		01
03	0503010008	ROLAMENTO 3780/37203		01
04	0503013314	RETENTOR 5166-GB 63,5 X 110 X 13 ARCA		01
05	0511012494	SPINDLE		01
06	0511012492	ARRUELA LISA 28 X 46 X 6,30		01
07	0503030009	1" CASTLE NUT		01
08	0503010018	5/32 X 1-1/2 COTTERPIN		01
09	0502020591	PROTECCION COVER		01
10	0503011444	SPRING WASHER		04
11	0503010358	5/16" X 5/8" BOLT		04
12	0503010002	1800 GREASE FITTING		01



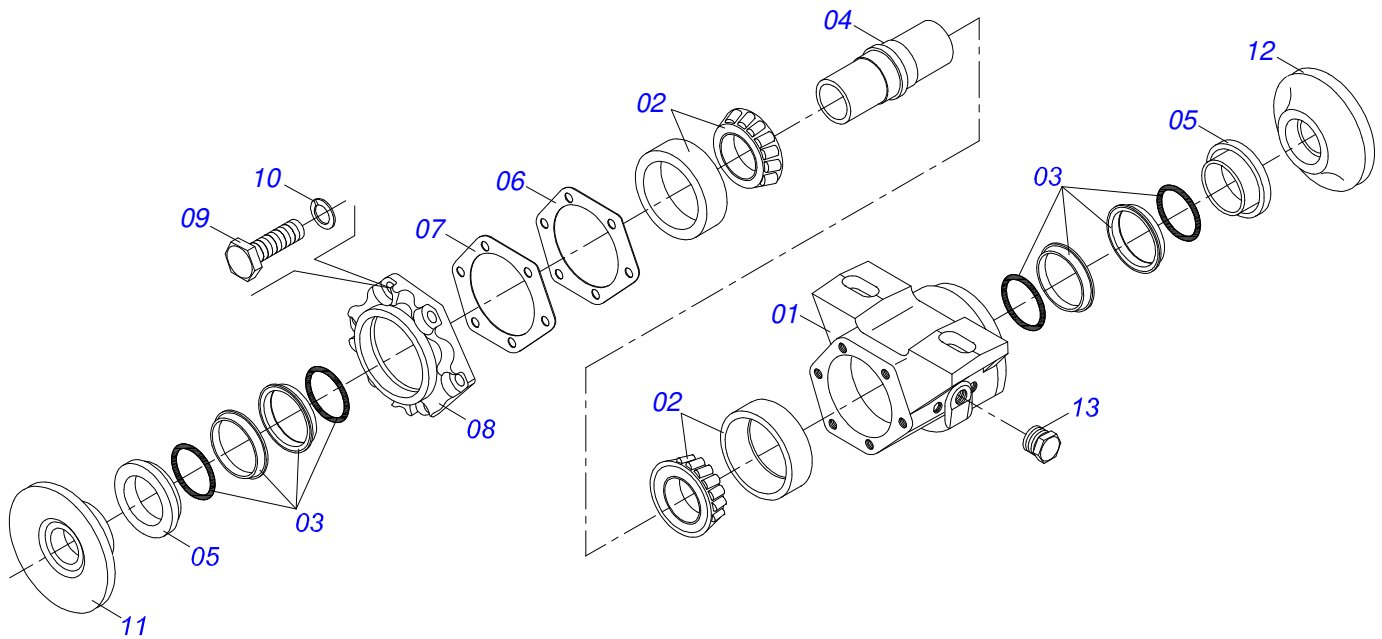
Item	Code	Description	See page	QT
001	0501069483	WHEEL		01
002	0503012112	400/60 - 15.5 TR 15 INNER TIRE		01
003	0503013119	CANVAS TIRE		01



Item	Code	Description	See page	QT
01	0503011627	MALE QUICK COUPLER AGR 1/2 NPT		01
02	0503011882	MALE QUICK COUPLER CAP		01



Item	Code	Description	See page	32	40
01	0501046854	1-5/8" X 48" AXLE WITH NUTS 2-3/4		04	08
01A	0501019016	1-5/8 X 48" AXLE		01	01
01B	0502840640	1.5/8" 2.3/4" NUT		02	02
02	0501046856	1-5/8" X 59" AXLE WITH NUTS 2-3/4		02	00
02A	0501019012	1-5/8" X 59" AXLE		01	00
02B	0502840640	1.5/8" 2.3/4" NUT		02	00
03	0502011048	1-5/8" EXTERNAL AXLE WASHER		06	08
04	0502011047	1-5/8" INNER AXLE WASHER		06	08
05	0502010703	10.35" 1-5/8" SPACER		14	16
06	0501046925	262 X 1-5/8" OIL BATH BRG ASSY,FG	10	12	16
07	0511014339	1-5/8" 2.8" NUT LOCK		12	16
08	0511040034	3/4" X 3-1/4" BOLT ASSY		24	32
08A	0501017303	3/4" X 3-1/4" BOLT		24	32
08B	0501010949	3/4" SQUARE WASHER		24	32
08C	0501010322	FLAT WASHER		24	32
08D	0503010014	3/4" NUT		24	32
09	0503010232	5/8" X 1.3/4" BOLT		06	08
10	0501012140	FLAT WASHER		06	08
11	0503012412	5/8 UNC SELF LOCKING NUT		06	08
12	0602037004	28" X 0.2" NOTCHED DISC BLADE		16	00
13	0602037006	DR28X7,5 C102AF04FR1.11/16 10R TATU		16	20



Item	Code	Description	See page	QT
01	0502020481	HOUSING DM		01
02	0503010005	32212 ROLLER BEARING		02
03	0503030027	DUO-CONE SEAL		02
04	0502010900	BEARING AXLE		01
05	0502010735	SEAL RETAINER		02
06	0503030030	5.6" X 4.4" X 0.01" GASKET		02
07	0503030685	5.5" X 4.4" X 0.003" GASKET		02
08	0502020161	WEAR PLATE BEARING		01
09	0503010237	3/8" X 1" BOLT		06
10	0503011443	3/8" SPRING WASHER		06
11	0502040239	OUTER FLANGE		01
12	0502040240	INNER FLANGE		01
13	0503010856	OIL PLUG		01



CIVEMASA

www.civemasa.com.br



Technical Publications | Elaboration and Revision

ALESSANDRA PATRICIA KAWAHARA CARRILI