

APPLICATORS INSECTICIDE LOCATED

ASPER 03 ROWS - MH - 600L - KIT
ASPER 03 LINHAS - MH - 600L - KIT

Code: 0501092806
Series: S-1019
Revision: 00
Revision Date: SEPTEMBER/2023

PARTS CATALOGUE

CIVEMASA

A solid orange rectangular bar is positioned at the top left of the page, above the "PRODUCTS" heading.

PRODUCTS

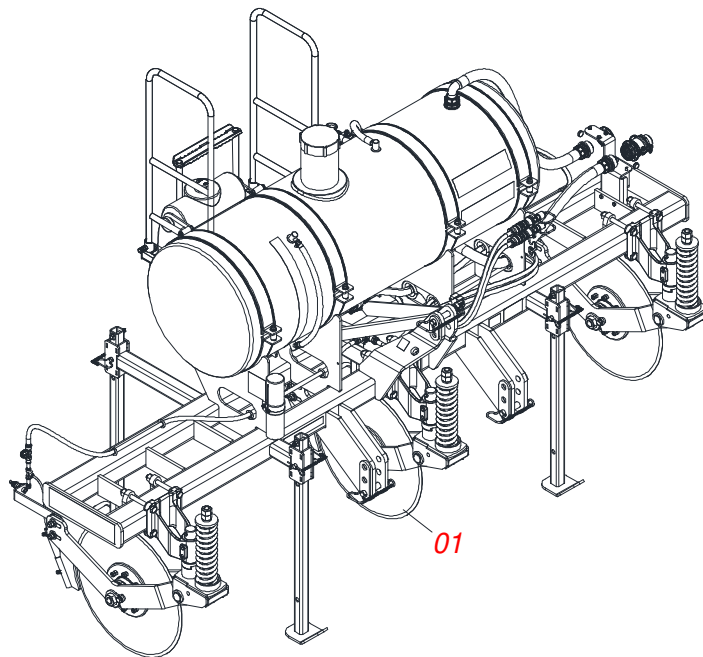
Code	Working Width	Description
0121750012		ASPER 3L MH 600L S-1019
0121750013		ASPER 3L MH 600L KIT 70/30 S-1019
0121750008		ASPER 3L MH 600L KIT 70/30 AR S-1019

ATTENTION: IMPORTANT

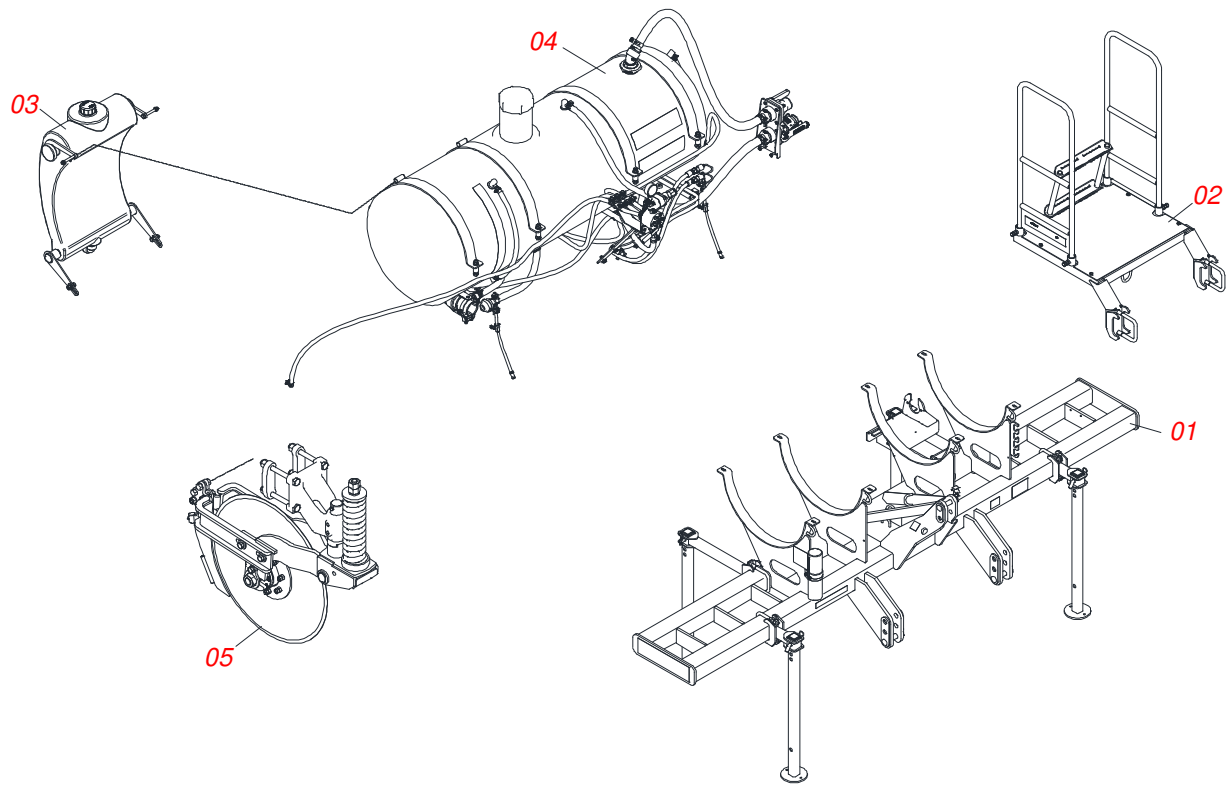
CIVEMASA reserves the right to improve and/or modify the technical features of its products, without obligation to do the same with those products already sold and without prior knowledge of the dealer or the customer. The photos are only illustrative.

INDEX

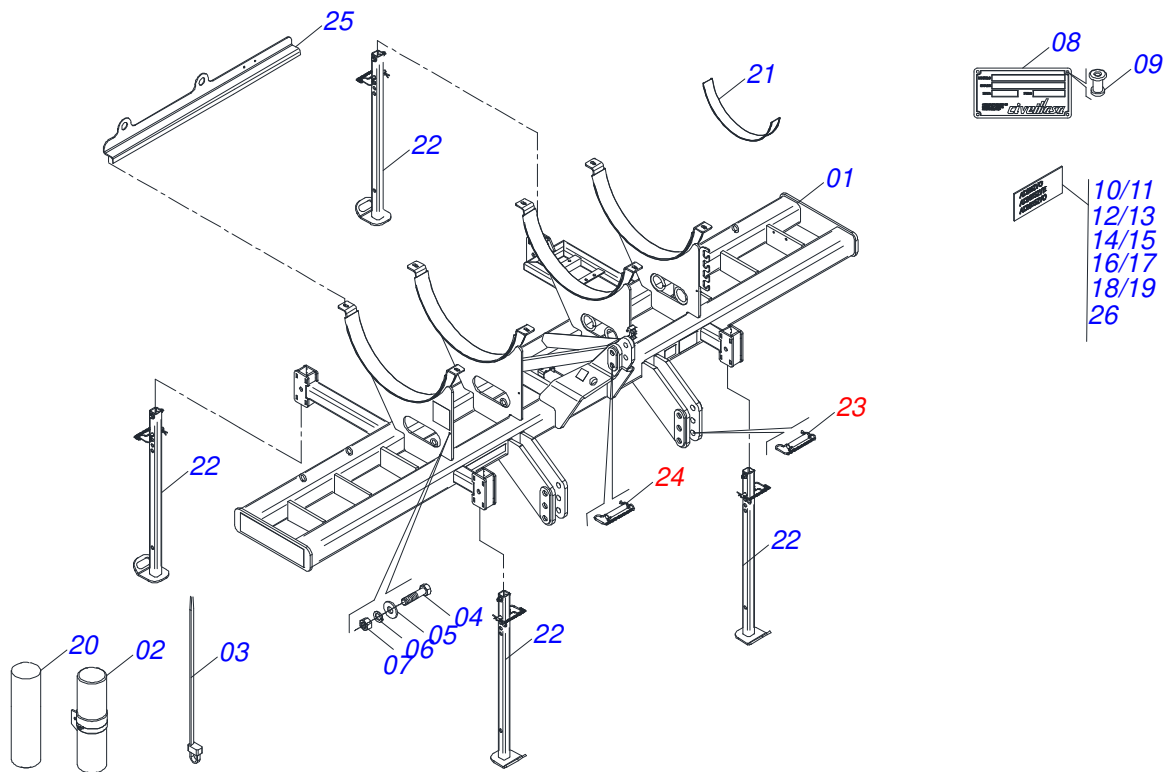
0909096877	ASSY FRAME	1
0521049850	FRAME ASSY 3L	2
0521057565	SEMIFINISHED FRAME 3L	3
0521052257	ASSY PLATFORM	4
0521051043	RESERVOIR	5
0521054328	AXLE 27,80 X EC 130 ASSY	6
0521054135	AXLE 25,00 X EC 130 ASSY	7
0521051870	HYDRAULIC CYLINDER	8
0521053103	BLADE DISC ASSY	9
0501052395	26" CUTTING DISK WITH BOX	10
0501057526	DISC HUB	11
0501053834	MALE QUICK COUPLER	12
0521057553	SPRAYING SET 3L	13
0521057559	RESERVOIR	14
0521057560	ENGINE WITH FULL LIMIT BLOCK	15
0503063126	SPRAY KIT 3L	16
0503063001	SEMI MOUNTED PUMP	17
0503063000	MANUAL COMMAND	18
0503062999	FILTER SUCTION 1-1 / 4 ASSY	19
0503063003	RESERVOIR OUTPUT ASSY	20
0503063004	AGITATOR KIT	21
0503063119	OUTPUT CONNECTION	22
0503063118	BEAK OUTPUT	23
0503063117	COMMUNICATOR VASE	24
0531045441	ASSY FRAME 3L	25
0531045442	ASSY FRAME 3L KIT 70/30	26
0541052137	SPRAYING SET 3L	27
0503064277	SPRAYING KIT 3L (BS0023) 600L	28



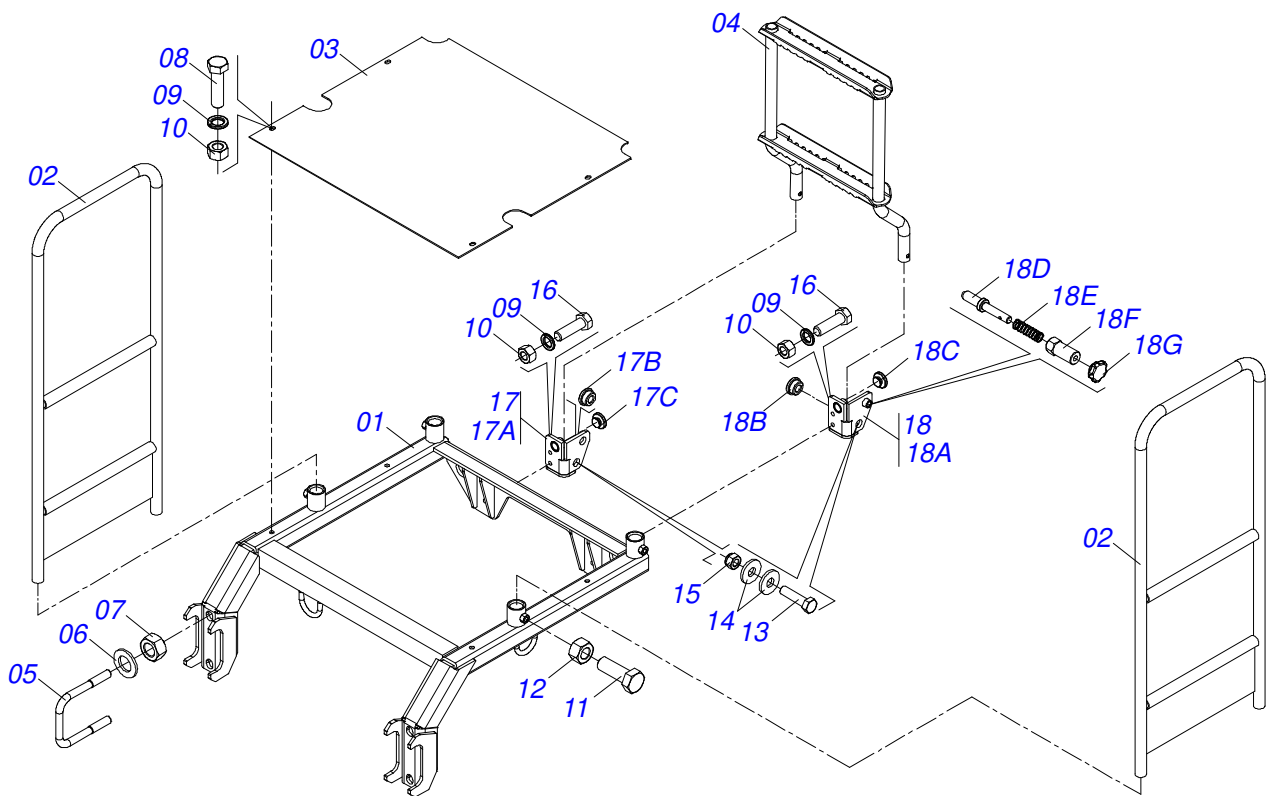
Item	Code	Description	See page	QT
01	0521049850	FRAME ASSY 3L	2	01
01.	0531045441	ASSY FRAME 3L	25	01
01..	0531045442	ASSY FRAME 3L KIT 70/30	26	01



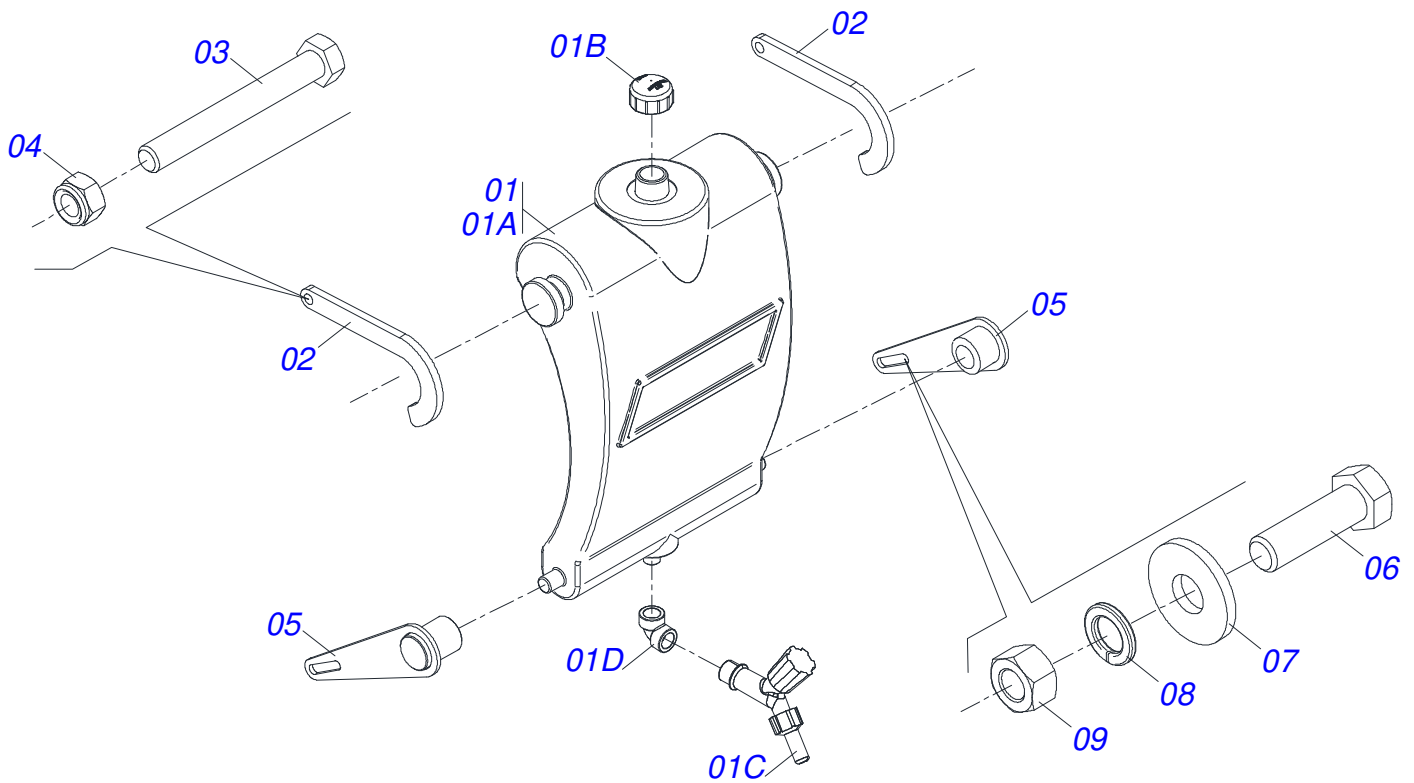
Item	Code	Description	See page	QT
01	0521057565	SEMIFINISHED FRAME 3L	3	01
02	0521052257	ASSY PLATFORM	4	01
03	0521051043	RESERVOIR	5	01
04	0521057553	SPRAYING SET 3L	13	01
05	0521053103	BLADE DISC ASSY	9	03



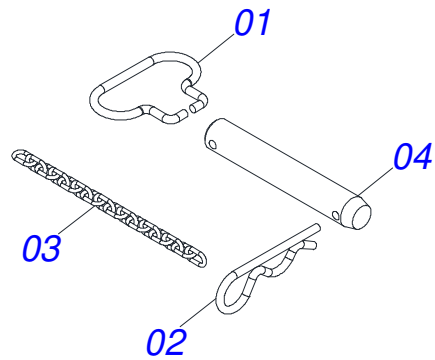
Item	Code	Description	See page	QT
01	0531060605	FRAME SPACING		01
02	0503060100	SUPPORT INSTRUCTION MANUAL		01
03	0503010267	NYLON CLAMP 3,60 X 1,3 X 155 MM		01
04	0503010371	5/16" X 1" BOLT		01
05	0501010694	FLAT WASHER 32,50 X 75 X 4,75		01
06	0503010179	LOCK WASHER 5/16 ZN 1K01528		01
07	0503010337	NUT 5/16 UNC G.5 ZN		01
08	0503034004	ALUMINUM IDENTIFICATION DECAL		01
09	0503010001	RIVET 3,2 X 5,5		04
10	0503034078	LIFTING POINTS DECAL		04
11	0503031739	DANGER DECAL		01
12	0503031942	MANUAL SEAL DECAL		01
13	0503031428	READ MANUAL DECAL		01
14	0503033647	APPROVED DECAL		01
15	0503031565	CAUTION TRANSPORTATION DECAL		01
16	0503031827	LUBRICATE AND RETIGHTEN DAILY DECAL		01
17	0503013229	REFLECTIVE SIDE BAND		02
18	0503034216	EMBLEM		01
19	0503034537	BADGE ASPER		01
20	0501091938	INSTRUCTION MANUAL		01
21	0591010124	STRAP RUBBER RESERVOIR		04
22	0521057566	PLOUGH SUPPORT		04
23	0521054328	AXLE 27,80 X EC 130 ASSY	6	02
24	0521054135	AXLE 25,00 X EC 130 ASSY	7	01
25	0591012537	SUPPORT LIFTING		01
26	0503034648	ADHESIVE LABEL		01



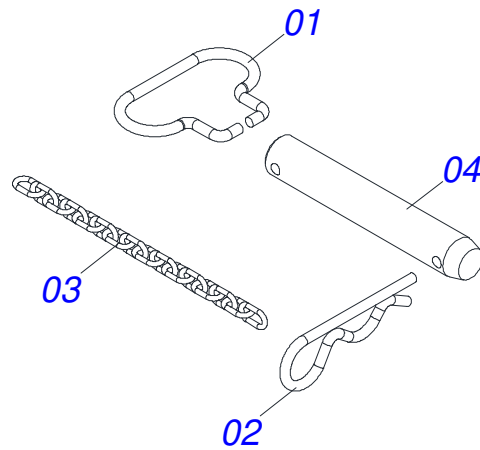
Item	Code	Description	See page	QT
01	0521067866	PLATFORM		01
02	0521067867	HANDRAIL		02
03	0581014474	FLOOR		01
04	0511069636	LADDER		01
05	0581014522	FASTENER ASSY		02
06	0501013934	FLAT WASHER		04
07	0503011255	3/4" LOCK NUT		04
08	0503011141	3/8" X 2-3/4" BOLT		04
09	0503010025	3/8 SPRING WASHER		08
10	0503010026	3/8" NUT		08
11	0503030678	BOLT 1/2 UNC X 1.1/2 CSPC G.5 ZN		04
12	0503010060	1/2 UNC G.5 ZN HEX NUT		04
13	0503011179	3/8" X 2-1/4" BOLT		02
14	0501010984	10,50 X 27 X 3,00 FLAT WASHER		04
15	0503013357	3/8 SELF-ADJUSTING NUT		02
16	0503010751	C3/8" X 1.1/4" HEX BOLT G.5		04
17	0521052260	ASSY LADDER RIGHT SUPPORT		01
17A	0521068450	LADDER RIGHT FIXER		01
17B	0503032594	30 X 13 X 19 PLUG		01
17C	0581016317	ARTICULATED GLOVE		01
18	0521052259	ASSY SUPPORT LEFT LADDER		01
18A	0521068451	FIXER LEFT LADDER		01
18B	0503032594	30 X 13 X 19 PLUG		01
18C	0581016317	ARTICULATED GLOVE		01
18D	0581016321	PIN LOCK LADDER		01
18E	0503034639	SPRING		01
18F	0581016319	TRIGGER CARTRIDGE		01
18G	0503010293	CLAMP KNOB		01
19	0503013229	REFLECTIVE SIDE BAND		02



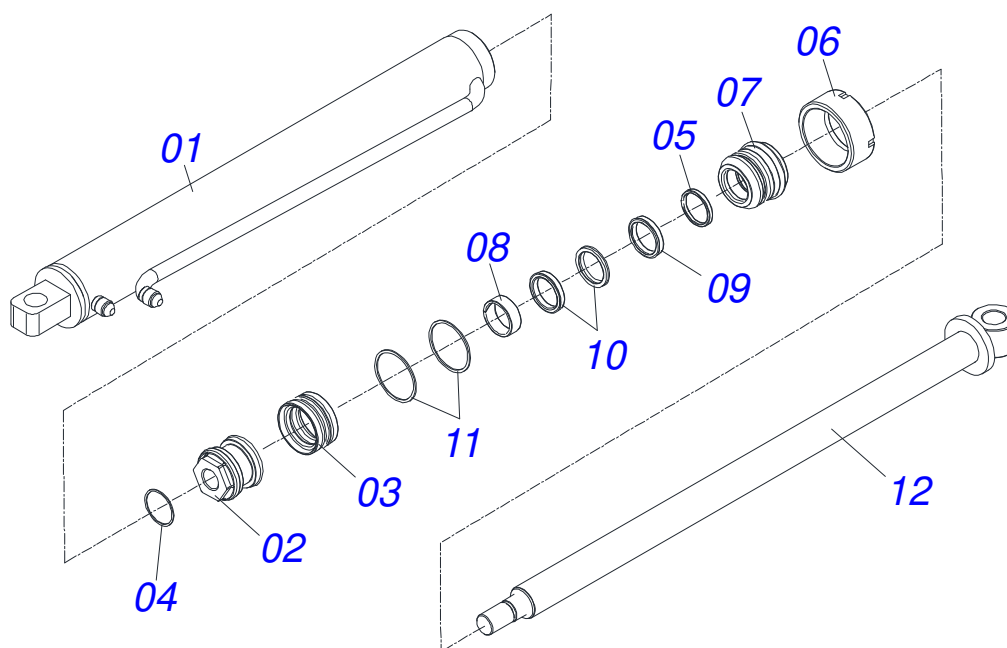
Item	Code	Description	See page	QT
01	0521051120	TANK		01
01A	0581014461	TANK		01
01B	0581013716	COVER ASSY		01
01C	0503018694	WATER TAP		01
01D	0503013969	3/4 ELBOW THREAD		01
02	0581014481	UPER FIXING		02
03	0503010765	3/8" X 3" BOLT		02
04	0503013357	3/8 SELF-ADJUSTING NUT		02
05	0521067864	ROW LOWER SUPPORT		02
06	0503010751	C3/8" X 1.1/4" HEX BOLT G.5		02
07	0501010984	10,50 X 27 X 3,00 FLAT WASHER		02
08	0503010025	3/8 SPRING WASHER		02
09	0503010026	3/8" NUT		02



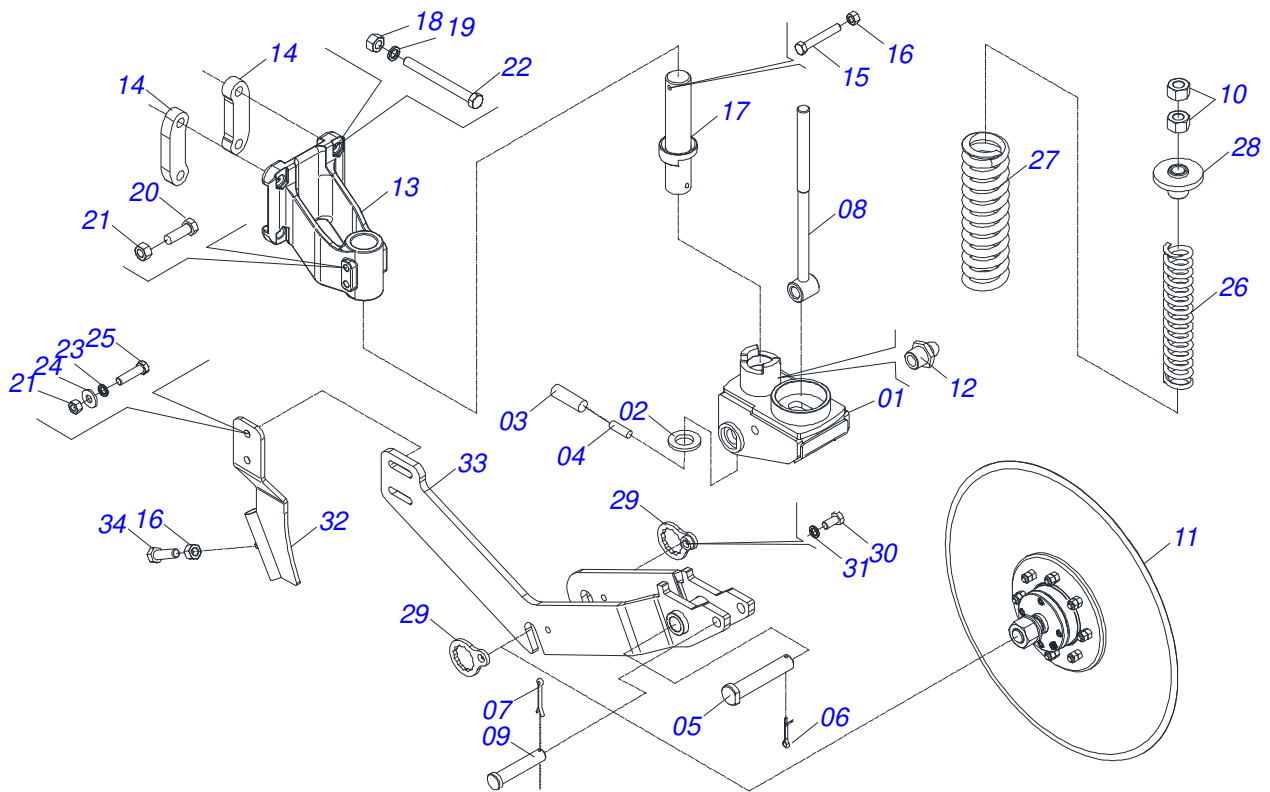
Item	Code	Description	See page	QT
01	0503034755	HANDLE PIN HITCH		01
02	0503031035	HITCH PIN CLIP		01
03	0503034756	3,00 X 16 CHAIN		01
04	0581018636	AXIS 27,80 X 155 X EC 130 FR 7,14		01



Item	Code	Description	See page	QT
01	0503034755	HANDLE PIN HITCH		01
02	0503031035	HITCH PIN CLIP		01
03	0503034756	3,00 X 16 CHAIN		01
04	0581018637	AXIS 25 X 155 X EC 130 FR 7,14		01

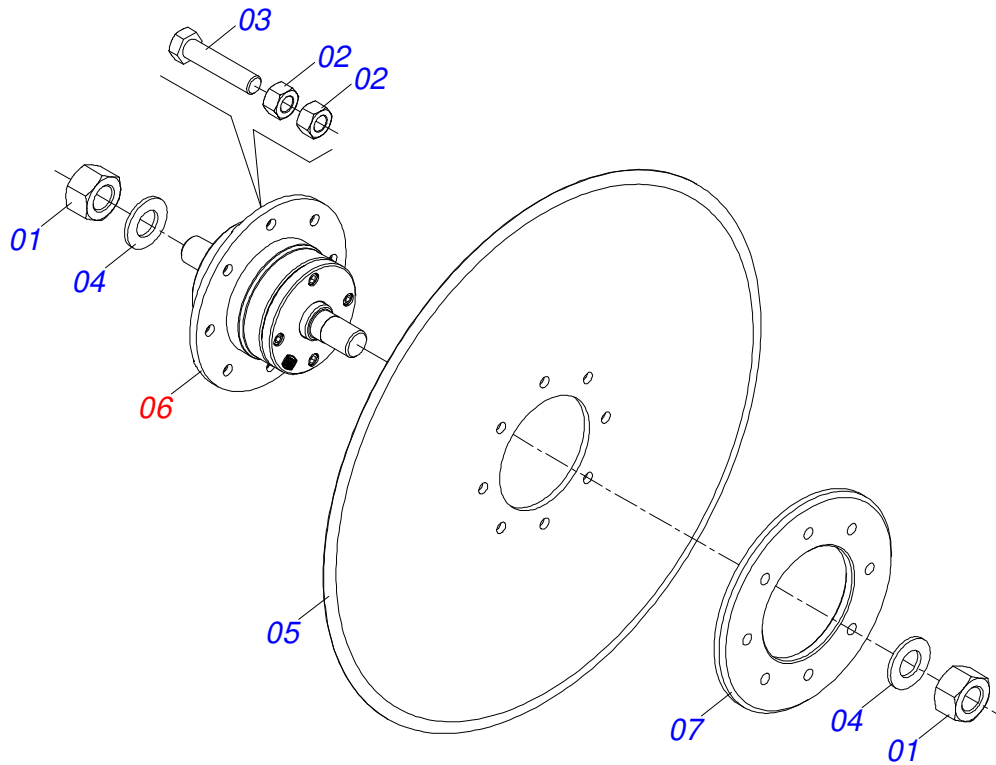


Item	Code	Description	See page	QT
01	0521068186	CYLINDER CASE		01
02	0502012837	PISTON		01
03	0503018005	RING		01
04	0503011109	O'RING 2-119 N 3006 9B		01
05	0503010163	D-1500 SCRAPER RING		01
06	0502010471	63,50 MOBILE CAP		01
07	0581010668	RING SUPPORT		01
08	0503018004	RING		01
09	0503018003	GASKET		01
10	0503018163	BACK-UP RING		02
11	0503018162	O'RING		02
12	0521068185	ROD		01

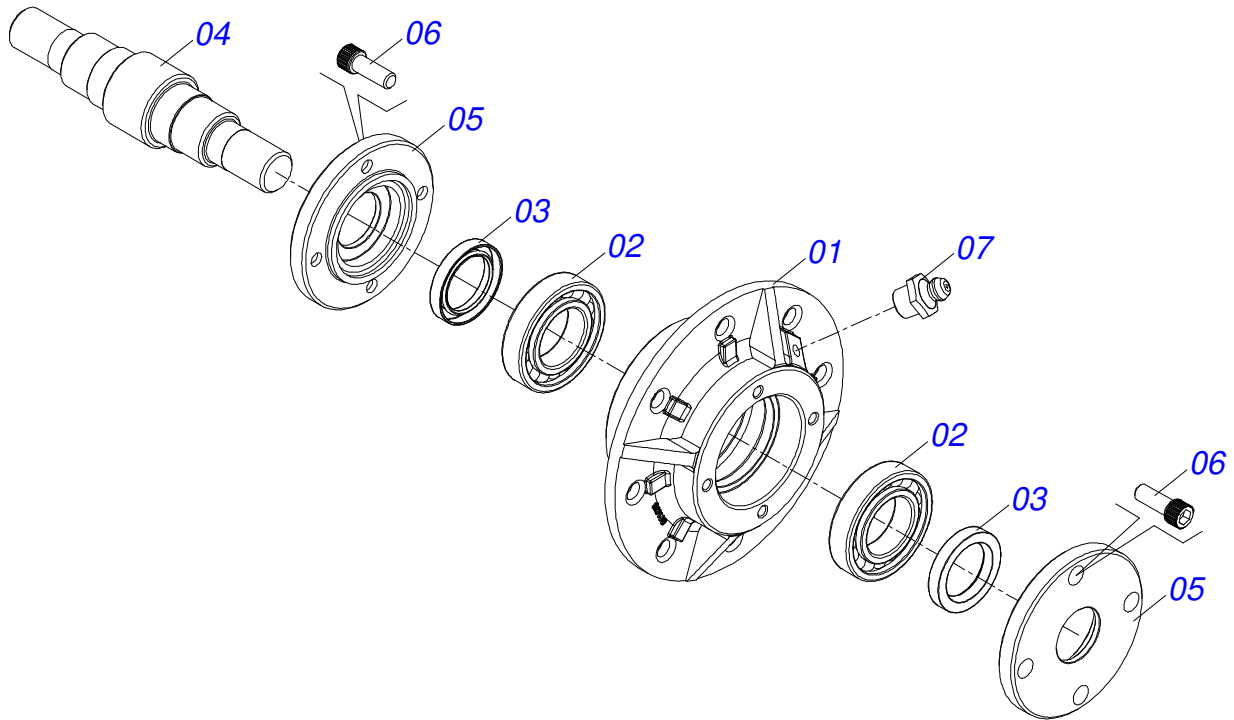


Item	Code	Description	See page	QT
01	0521061328	SWIVEL BASE		01
02	0561015610	FLAT WASHER		01
03	0503010361	SPRING PIN		01
04	0503010756	0.2" X 2.4" SPRING PIN		01
05	0561015339	BLADE DISC AXLE ASSY		01
06	0503010571	1/4" X 1.1/2" SPLIT PIN		01
07	0503010010	SPLIT PIN 1/4" X 2.1/2"		01
08	0521068160	SPRING ROD		01
09	0561019515	COUPLING SHAFT		01
10	0501010059	1.5/8 NUT		02
11	0501052395	26" CUTTING DISK WITH BOX	10	01
12	0503010002	1800 GREASE FITTING		02
13	0502012796	BLADE DISC SUPPORT ASSY		01
14	0571011609	DISC BLADE FIXER PLATE		02
15	0503011268	3/8" X 2-1/2" BOLT		01
16	0503010026	3/8" NUT		02
17	0521067857	BLADE DISC AXLE ASSY		01
18	0503010335	3/4 NUT		04
19	0503010023	3/4" SPRING WASHER		04
20	0503034318	5/8 UNC X 2 BOLT		02
21	0503010013	5/8 UNC G.5 ZN HEX NUT		04
22	0503014744	3/4 UNF X 7.1/2 C S G.7 ZN BOLT		04
23	0503010027	5/8 SPRING WASHER		02
24	0501012140	FLAT WASHER 16,50 X 40 X 4,00 ZN		02
25	0503010233	5/8" X 2-1/2" BOLT		02
26	0503034531	COMPRESSSION SPRING		01
27	0503034530	COMPRESSSION SPRING		01
28	0521068159	SPRING GUIDES UPPER		01
29	0501069637	AXLE NUT LOCK		02
30	0503010962	5/8" X 1-1/4" BOLT		02
31	0503011445	SPRING WASHER		02
32	0521068768	FIXING SUPPORT		01

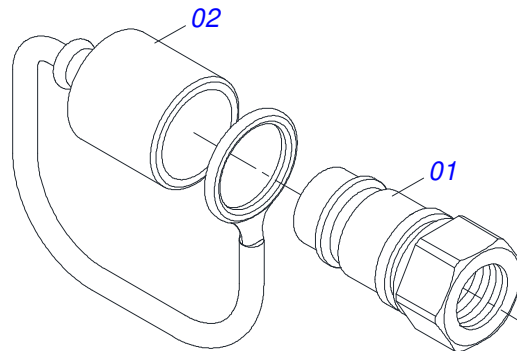
Item	Code	Description	See page	QT
33	0521068767	BLADE DISC FORK		01
34	0503010751	C3/8" X 1.1/4" HEX BOLT G.5		01



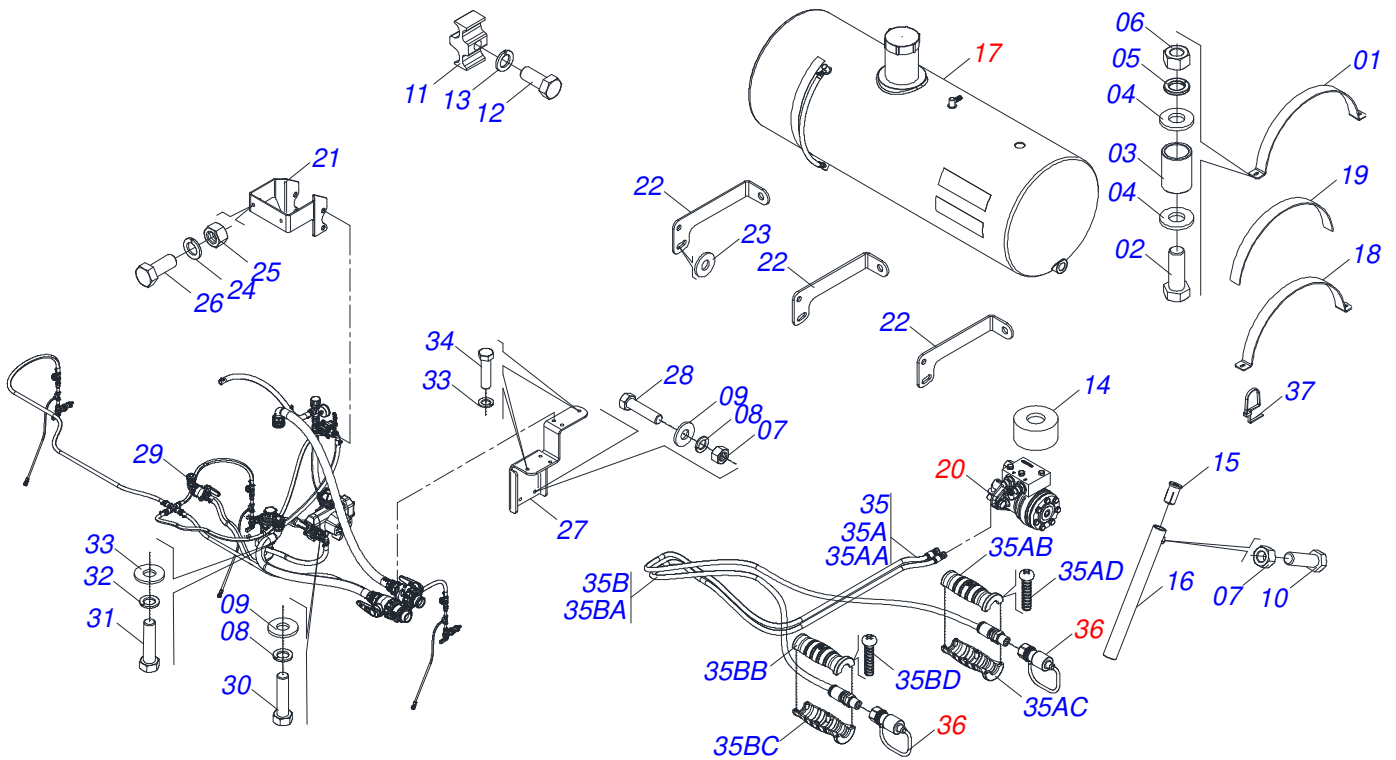
Item	Code	Description	See page	QT
01	0501010087	1.1/4" NUT		02
02	0503010060	1/2 UNC G.5 ZN HEX NUT		16
03	0503010905	1/2" X 2-1/4" BOLT		08
04	0501017779	FLAT WASHER 32 X 60 X 4,75		02
05	0603032025	PLAIN COULTER BLADE		01
06	0501057526	DISC HUB	11	01
07	0521011824	DISC BLADE SUPPORT FLANGE		01



Item	Code	Description	See page	QT
01	0502011478	DISC HUB		01
02	0503011291	6209 BALL BEARING		02
03	0503012106	SEAL RETAINER 00521-BR		02
04	0521012661	DISC BLADE HUB AXLE		01
05	0502011477	BLADE DISC HOUSIG CP		02
06	0503010134	3/8" X 1" BOLT		08
07	0503010002	1800 GREASE FITTING		01
08	1882970002	GREASE		0,03Kg

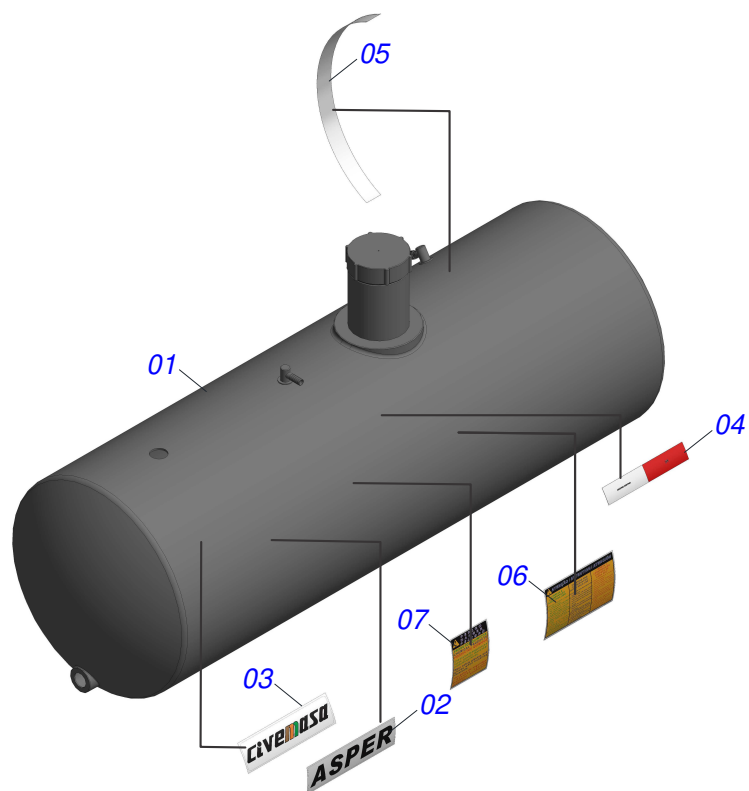


Item	Code	Description	See page	QT
01	0503011627	MALE QUICK COUPLER AGR 1/2 NPT		01
02	0503011882	MALE QUICK COUPLER CAP		01

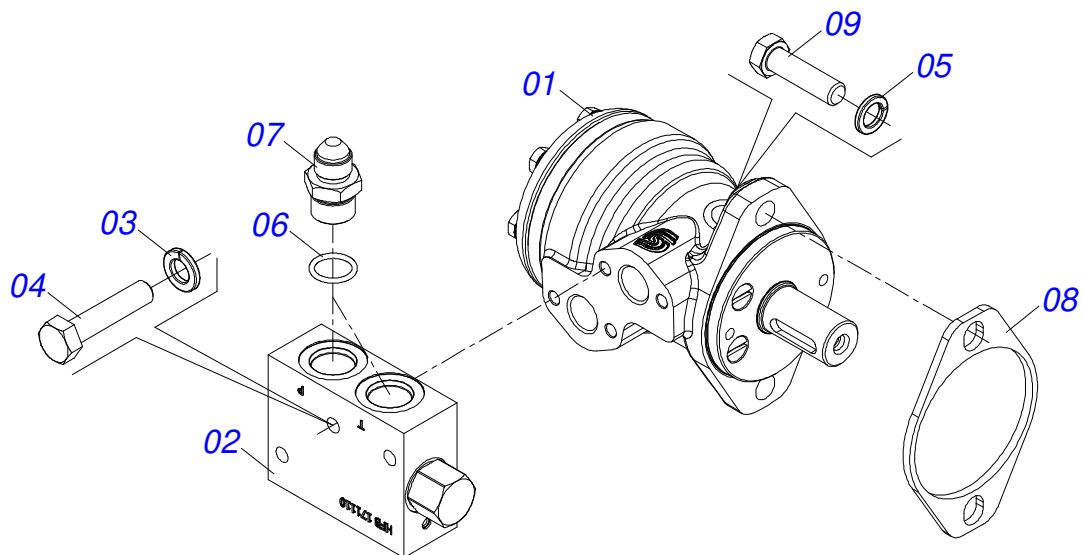


Item	Code	Description	See page	QT
01	0581014471	FIXER RIBBON		02
02	0503010847	1/2" X 3.1/4" BOLT		08
03	0581014514	SLEEVE 19,5 X 25 X 40		08
04	0501010937	13,50 X 28 X 3,00 FLAT WASHER		16
05	0503010019	1/2" SPRING WASHER		08
06	0503010060	1/2 UNC G.5 ZN HEX NUT		08
07	0503010026	3/8" NUT		05
08	0503010025	3/8 SPRING WASHER		06
09	0501010984	10,50 X 27 X 3,00 FLAT WASHER		06
10	0503010751	C3/8" X 1.1/4" HEX BOLT G.5		03
11	0502012702	BODY SUPPORT CLAMP		04
12	0503011173	7/16" X 2" BOLT		04
13	0503010180	7/16" SPRING WASHER		04
14	0503013171	SEALING 1/2" X 10M 1J51066		01
15	0591012534	FLEXIBLE FIXING GLOVE		03
16	0521068872	DISTRIBUTOR TUBE		03
17	0521057559	RESERVOIR	14	01
18	0521067865	TANK FIXER RIBBON		02
19	0591010124	STRAP RUBBER RESERVOIR		04
20	0521057560	ENGINE WITH FULL LIMIT BLOCK	15	01
21	0591010733	COMMAND FIXING SUPPORT		01
22	0591012535	SUPPOT FIXING		03
23	0501012140	FLAT WASHER 16,50 X 40 X 4,00 ZN		03
24	0503010179	LOCK WASHER 5/16 ZN 1K01528		02
25	0503010337	NUT 5/16 UNC G.5 ZN		02
26	0503016506	5/16 UNC X 3/4 C S G.5 ZN BOLT		02
27	0591012533	SUPPORT FIXING VALVE SUPPLY		01
28	0503010849	3/8" X 1-1/2" BOLT		02
29	0503063126	SPRAY KIT 3L	16	01
30	0503010237	3/8" X 1" BOLT		04
31	0503015114	BOLT		03
32	0501010694	FLAT WASHER 32,50 X 75 X 4,75		03

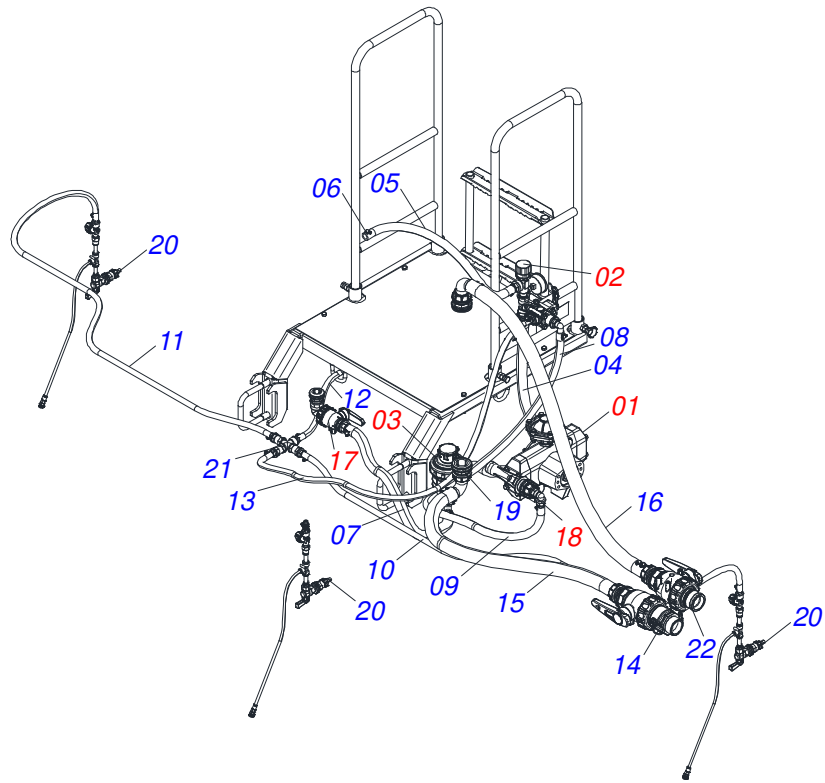
Item	Code	Description	See page	QT
33	0503014371	M8 SPRING WASHER		09
34	0503011294	M 8 X 1,25 X 20 BOLT		06
35	0521057556	HOSE KIT		01
35A	0521057558	HOSE 3/8 X 3200 TR-TM YELLOW/RED		01
35AA	0501080441	HOSE ASSY		01
35AB	0503034493	HYDRAULIC HOSE DEPTH (YELLOW)		01
35AC	0503034495	HYDRAULIC HOSE GRIP (RED)		01
35AD	0503018952	PH 2,5 X 10 ZB PLASTIC BOLT		06
35B	0521057557	HOSE 3/8 X 3200 TR-TM YELLOW/BLUE		01
35BA	0501080441	HOSE ASSY		01
35BB	0503034493	HYDRAULIC HOSE DEPTH (YELLOW)		01
35BC	0503034494	HYDRAULIC HOSE GRIP (BLUE)		01
35BD	0503018952	PH 2,5 X 10 ZB PLASTIC BOLT		06
36	0501053834	MALE QUICK COUPLER	12	02
37	0503010267	NYLON CLAMP 3,60 X 1,3 X 155 MM		02



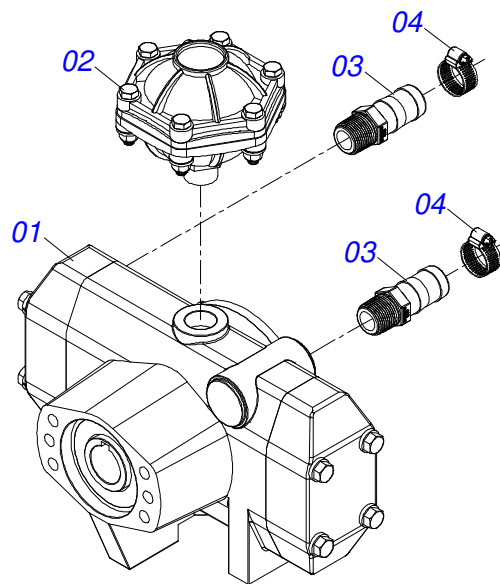
Item	Code	Description	See page	QT
01	0591012536	600 LITERS RESERVOIR		01
02	0503034549	EMBLEM 80 X 320		02
03	0503034355	EMBLEM		02
04	0503013229	REFLECTIVE SIDE BAND		01
05	0503034547	EMBLEM		01
06	0503034555	BUMPER STICKER ATTENTION CLEANING CONSERVATION		01
07	0503034556	STICKER DANGER CHEMICAL PRODUCTS		01



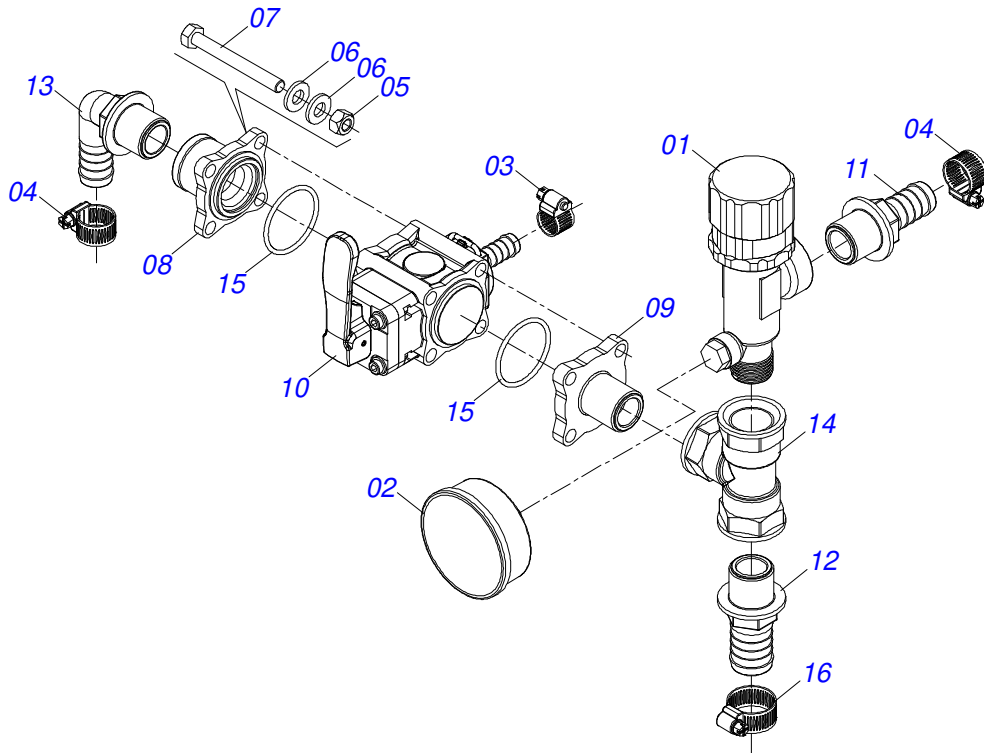
Item	Code	Description	See page	QT
01	0503015422	MOTOR		01
02	0503062758	COMMAND BLOCK		01
03	0503014371	M8 SPRING WASHER		03
04	0503015149	M8 X 1,25 X 50 BOLT		03
05	0503010019	1/2" SPRING WASHER		02
06	0503010045	O'RING		02
07	0511010111	7/8" NIPPLE		02
08	0591010750	FLANGE MOTOR		01
09	0503011082	C1/2" X 1.3/4" SCREW		02



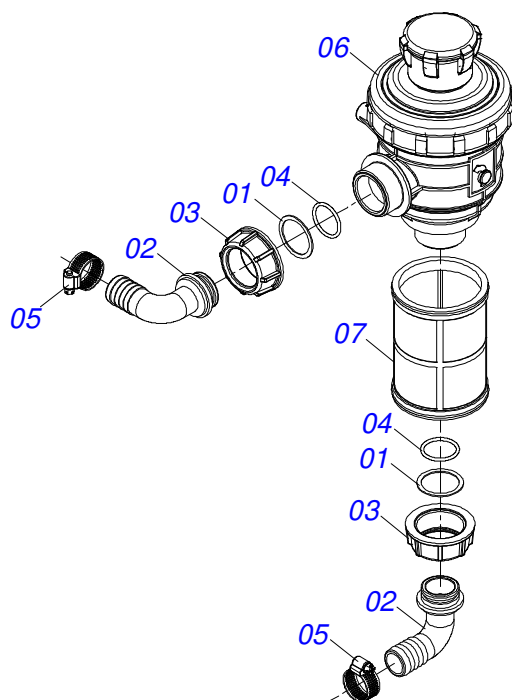
Item	Code	Description	See page	QT
01	0503063001	SEMI MOUNTED PUMP	17	01
02	0503063000	MANUAL COMMAND	18	01
03	0503062999	FILTER SUCTION 1-1 / 4 ASSY	19	01
04	0503035052	WINDFOOT 300 PSI BLACK PVC HOSE 1 X 550		01
05	0503035047	WINDFOOT 300 PSI BLACK PVC HOSE 3/4 X 750		01
06	0503019497	3/4 HOSE CLAMP		01
07	0503035053	1" X 33" BLACK PVC 300 PSI WINDFOOT HOSE		01
08	0503035051	WINDFOOT 300 PSI BLACK PVC HOSE 1 X 250		01
09	0503035050	WINDFOOT 300 PSI BLACK PVC HOSE 3/4 X 1500		01
10	0503035044	WINDFOOT 300 PSI HOSE BLACK PVC 1/2 X 2200		01
11	0503035044	WINDFOOT 300 PSI HOSE BLACK PVC 1/2 X 2200		01
12	0503035039	WINDFOOT 300 PSI BLACK PVC HOSE 1/2 X 850		01
13	0503035043	WINDFOOT 300 PSI BLACK PVC HOSE 1/2 X 1500		01
14	0503063120	BALL VALVE		02
15	0503035056	1.1/2 X 1200 FLEX HOSE SPIRAL		01
16	0503035056	1.1/2 X 1200 FLEX HOSE SPIRAL		01
17	0503063003	RESERVOIR OUTPUT ASSY	20	01
18	0503063004	AGITATOR KIT	21	01
19	0503063119	OUTPUT CONNECTION	22	02
20	0503063118	BEAK OUTPUT	23	03
21	0503063117	COMMUNICATOR VASE	24	01
22	0503019630	CONNECTOR COUPLER		01



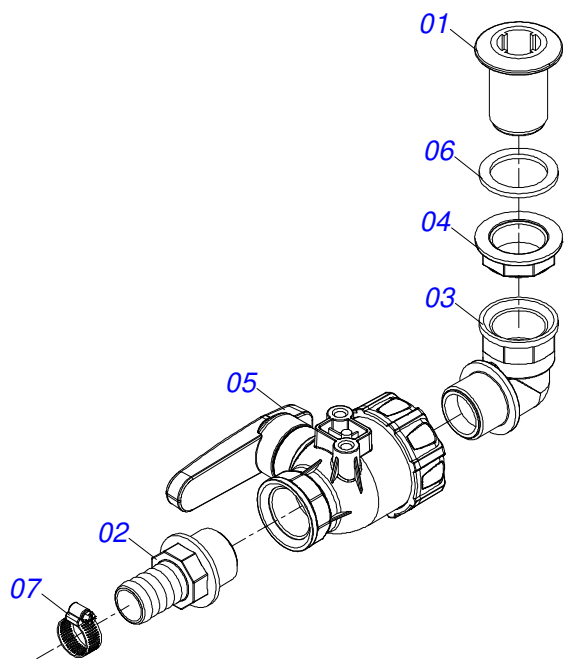
Item	Code	Description	See page	QT
01	0503063053	DOUBLE PISTON PUMP		01
02	0503063052	ANTI PULSE		01
03	0503019500	CONNECTION		02
04	0503019481	HOSE CLAMP		02



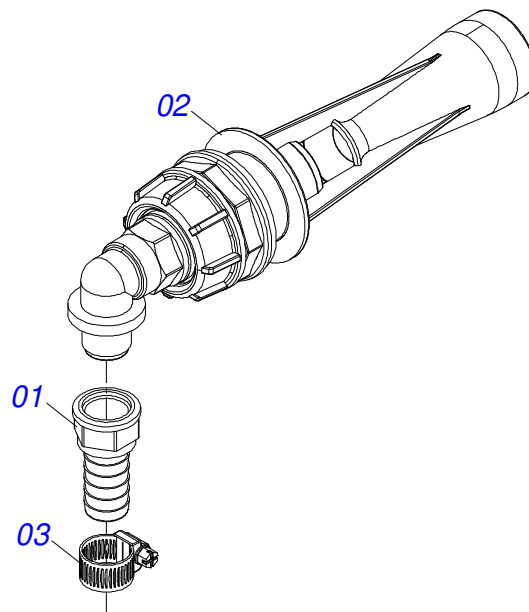
Item	Code	Description	See page	QT
01	0503019499	PRESSURE REGULATING VALVE 3/4		01
02	0503019498	MANOMETER		01
03	0503019473	1/2 HOSE CLAMP		01
04	0503019497	3/4 HOSE CLAMP		02
05	0503019496	HEX NUT		04
06	0503019495	FLAT WASHER M8		08
07	0503019494	HEX SCREW		04
08	0503019493	FLANGE CONNECTION		01
09	0503019492	FLANGE CONNECTION		01
10	0503019491	SECTION VALVE MANUAL DRIVE CONTROL		01
11	0503019490	STRAIGHT CONNECTION G3 / 4		01
12	0503019489	STRAIGHT CONNECTION G3 / 4		01
13	0503019488	G3 / 4 CURVE CONNECTION		01
14	0503019487	G3/4 CONNECTION T		01
15	0503019486	ORING RING 2,62X39,34X44,58		02
16	0503019481	HOSE CLAMP		01



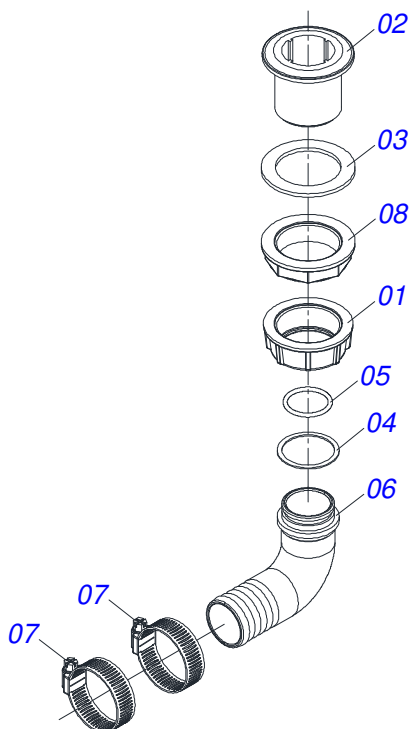
Item	Code	Description	See page	QT
01	0503019485	FLAT JOINT		02
02	0503019484	CURVE CONNECTION D25-SP3-116525		02
03	0503019483	CONNECTION NUT 1-1 / 4 SP3-2002050		02
04	0503019482	RING ORING 2.62 X 26.65X31.89 SP3-G10051		02
05	0503019481	HOSE CLAMP		02
06	0503019480	FILTER 1-1/4		01
07	0503019479	FILTER ELEMENT		01



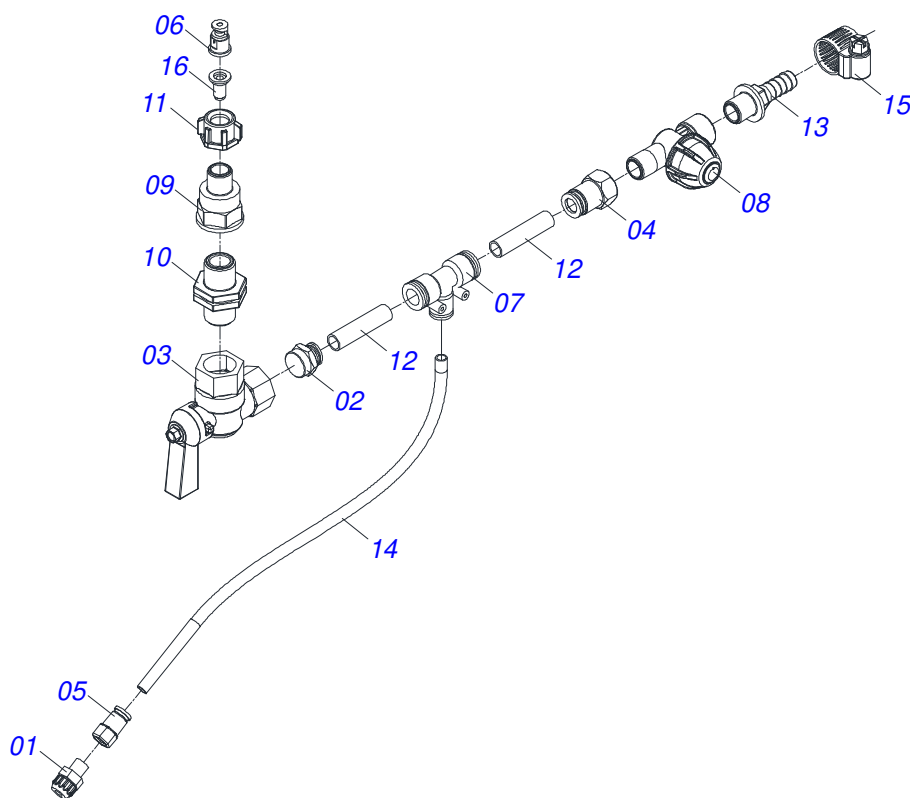
Item	Code	Description	See page	QT
01	0503019508	OUTPUT CONNECTION		01
02	0503019507	STRAIGHT G1 CONNECTION		01
03	0503019506	CURVE CONNECTION		01
04	0503019505	CONNECTION AGAINST NUT		01
05	0503019504	BALL VALVE		01
06	0503019503	FLAT JOINT		01
07	0503019481	HOSE CLAMP		01



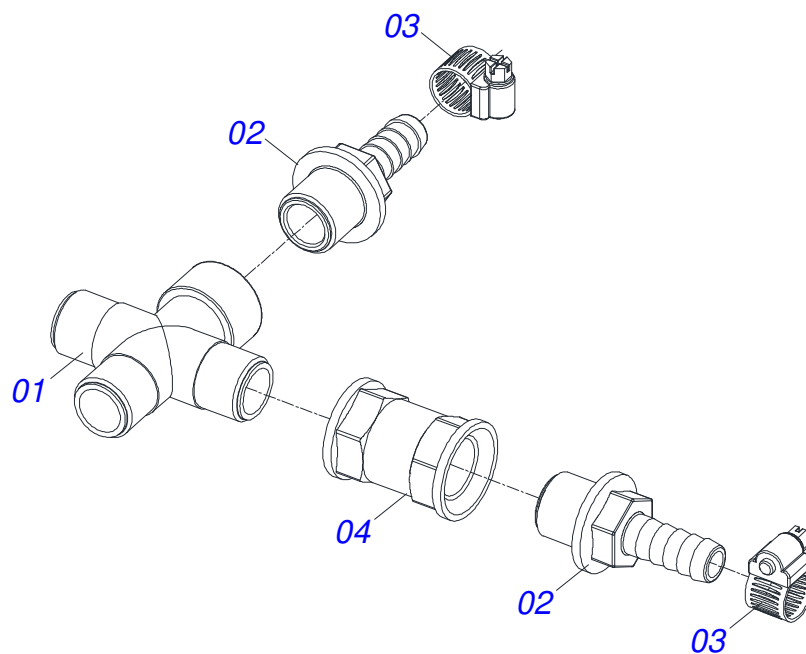
Item	Code	Description	See page	QT
01	0503019510	STRAIGHT CONNECTION		01
02	0503019509	AGITATOR		01
03	0503019497	3/4 HOSE CLAMP		01



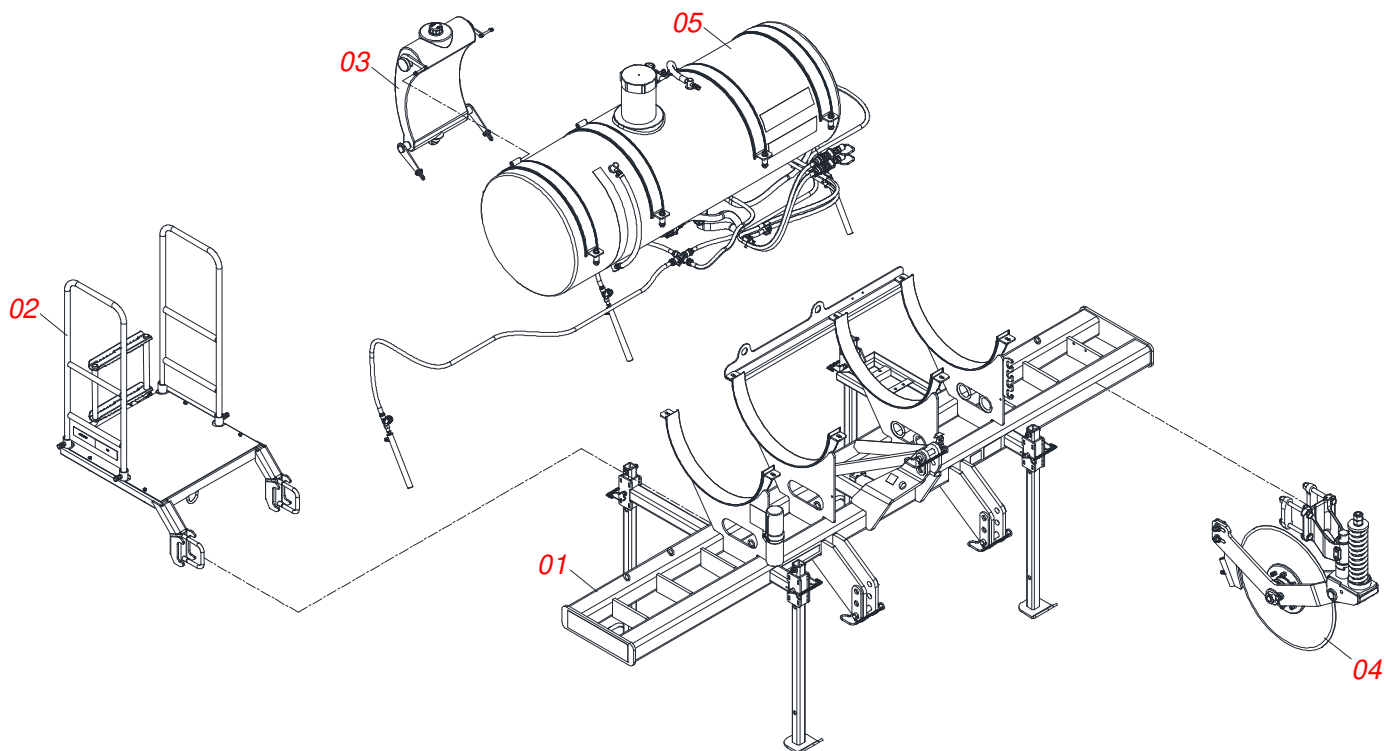
Item	Code	Description	See page	QT
01	0503019645	(SP3-2002060) NUT TYPE CONNECTION		01
02	0503019646	(SP3-220060) OUTPUT TYPE CONNECTION		01
03	0503019647	(SP3-G40006) FLAT JOINT		01
04	0503019648	(617-SPF-016-154) FLAT JOINT		01
05	0503019649	(SP3-G10061) O'RING RING		01
06	0503019650	(SP3-116638) CURVED TYPE CONNECTION		01
07	0503019651	(592-SPF-016-027) 1.1/2 HOSE CLAMP		02
08	0503019652	(SP3-2052060) COUNTER NUT TYPE CONNECTION		01



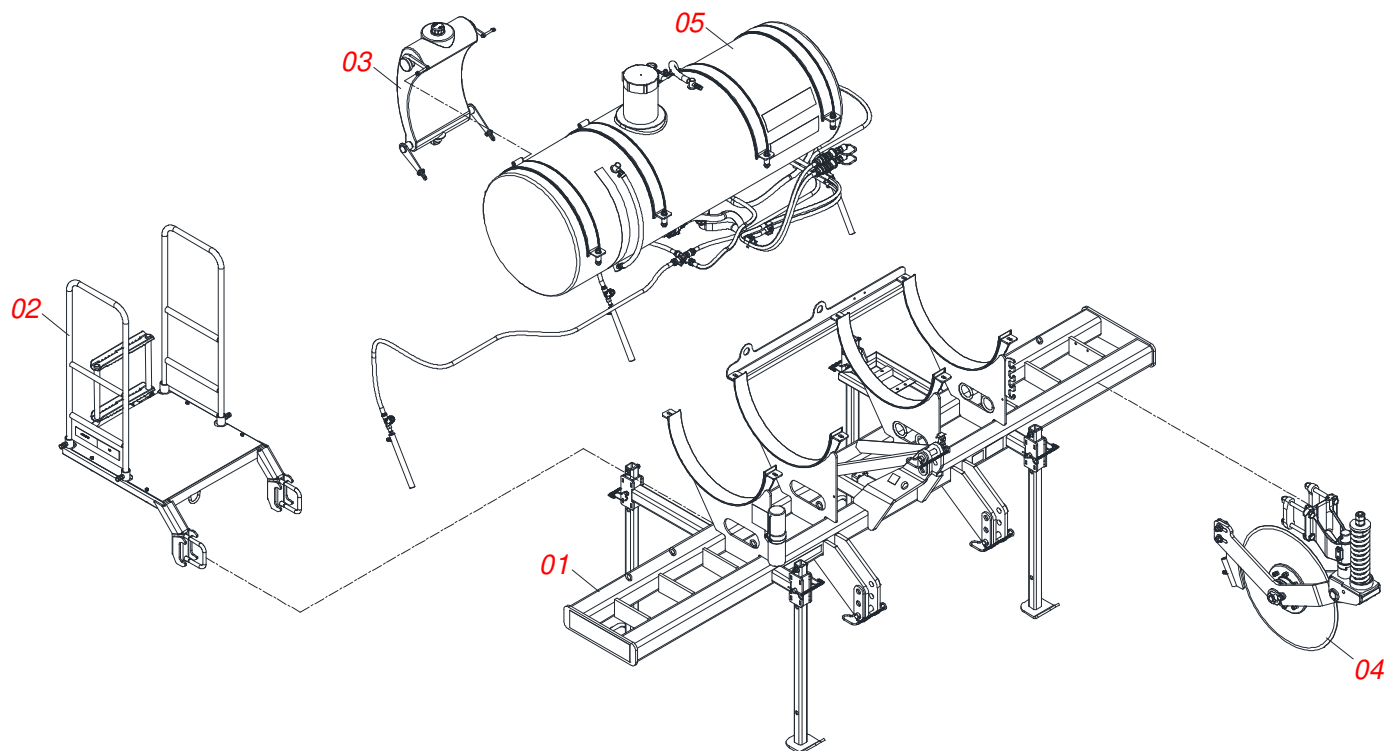
Item	Code	Description	See page	QT
01	0503019631	SPRAYING TIP		01
02	0503019632	STRAIGHT MALE CONNECTION 12MMX1/2 BSP		01
03	0503019633	VALVE 1/2 ANGLE 90		01
04	0503019634	FEMALE STRAIGHT CONNECTION 12MMX3/8 BSP		01
05	0503019635	FEMALE STRAIGHT CONNECTION 8MM X 1/8		01
06	0503019636	HOSE NOZZLE		01
07	0503019637	TEE REDUCTION		01
08	0503019638	NOZZLE HOLDER CONNECTION		01
09	0503019639	REDUCTION CONNECTION		01
10	0503019640	NIPPLE FITTING CONNECTION		01
11	0503019641	NUT CONNECTION G3/8		01
12	0503019642	POLYURETHANE TUBE		02
13	0503019474	STRAIGHT G3 / 8M D13 CONNECTION (SP3-1032113)		01
14	0503019643	POLYURETHANE TUBE 8MM X 550 BLUE		01
15	0503019473	1/2 HOSE CLAMP		01
16	0503019644	FILTER		01



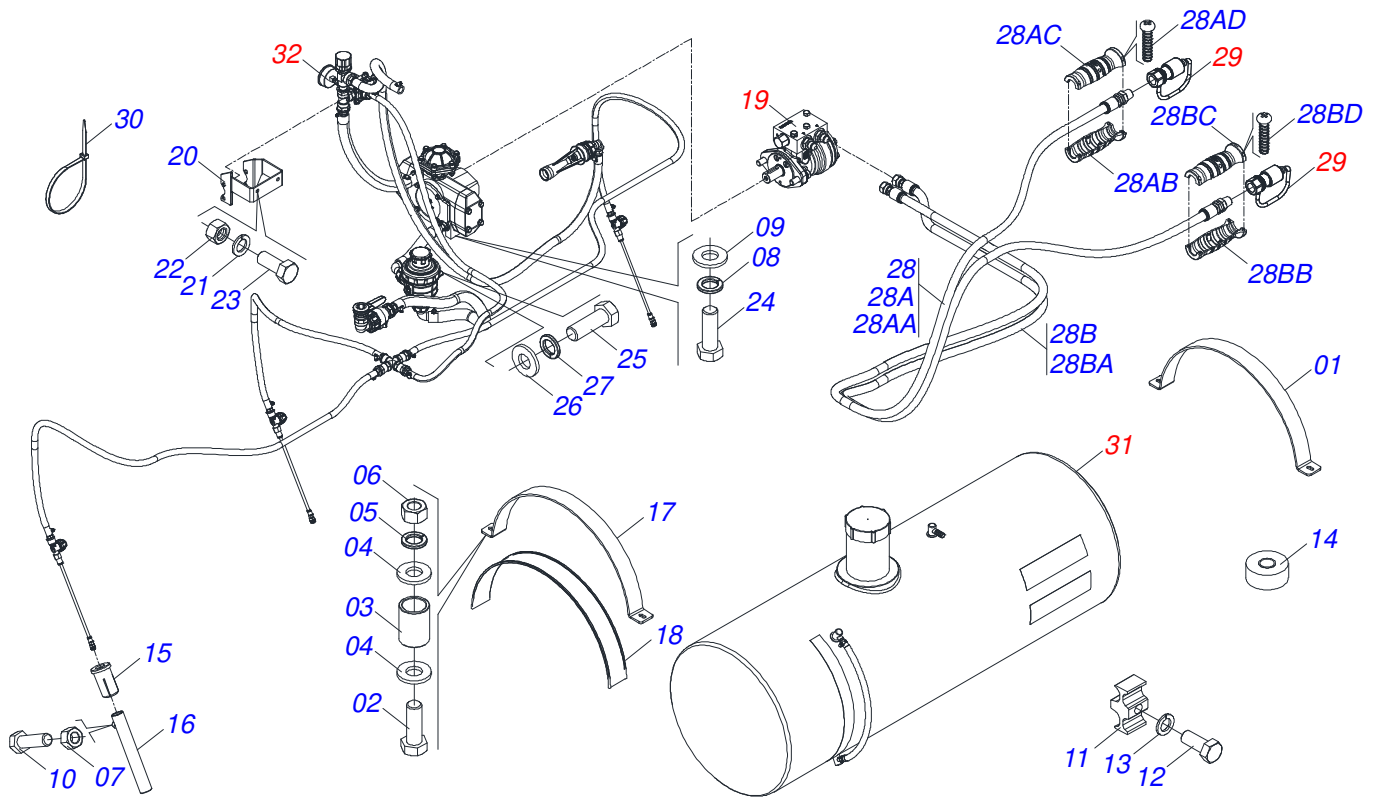
Item	Code	Description	See page	QT
01	0503019660	SP3-150120 MALE 3V CONNECTOR		01
02	0503019661	SP3-1032213 STRAIGHT CONNECTOR		04
03	0503019473	1/2 HOSE CLAMP		04
04	0503019662	SP3-2302020 SLEEVE CONNECTOR		03



Item	Code	Description	See page	QT
01	0521057565	SEMIFINISHED FRAME 3L	3	01
02	0521052257	ASSY PLATFORM	4	01
03	0521051043	RESERVOIR	5	01
04	0521053103	BLADE DISC ASSY	9	03
05	0541052137	SPRAYING SET 3L	27	01

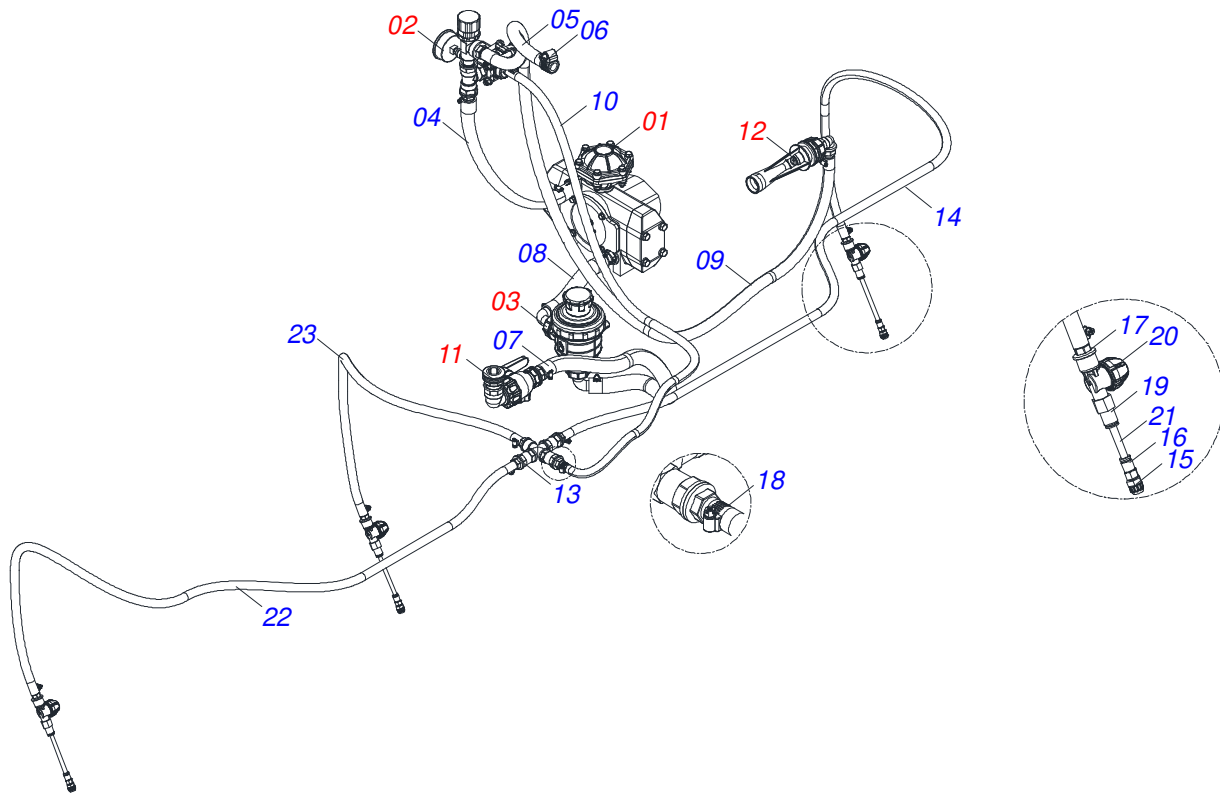


Item	Code	Description	See page	QT
01	0521057565	SEMIFINISHED FRAME 3L	3	01
02	0521052257	ASSY PLATFORM	4	01
03	0521051043	RESERVOIR	5	01
04	0521053103	BLADE DISC ASSY	9	03
05	0541052143	PUMP SPRAYING SYSTEM		01



Item	Code	Description	See page	QT
01	0581014471	FIXER RIBBON		02
02	0503010847	1/2" X 3.1/4" BOLT		08
03	0581014514	SLEEVE 19,5 X 25 X 40		08
04	0501010937	13,50 X 28 X 3,00 FLAT WASHER		16
05	0503010019	1/2" SPRING WASHER		08
06	0503010060	1/2 UNC G.5 ZN HEX NUT		08
07	0503010026	3/8" NUT		03
08	0503010025	3/8 SPRING WASHER		04
09	0501010984	10,50 X 27 X 3,00 FLAT WASHER		04
10	0503010751	C3/8" X 1.1/4" HEX BOLT G.5		03
11	0502012702	BODY SUPPORT CLAMP		04
12	0503011173	7/16" X 2" BOLT		04
13	0503010180	7/16" SPRING WASHER		04
14	0503013171	SEALING 1/2" X 10M 1J51066		01
15	0591012534	FLEXIBLE FIXING GLOVE		03
16	0521068872	DISTRIBUTOR TUBE		03
17	0521067865	TANK FIXER RIBBON		02
18	0591010124	STRAP RUBBER RESERVOIR		04
19	0521057560	ENGINE WITH FULL LIMIT BLOCK	15	01
20	0591010733	COMMAND FIXING SUPPORT		01
21	0503010179	LOCK WASHER 5/16 ZN 1K01528		02
22	0503010337	NUT 5/16 UNC G.5 ZN		02
23	0503016506	5/16 UNC X 3/4 C S G.5 ZN BOLT		02
24	0503010237	3/8" X 1" BOLT		04
25	0503015114	BOLT		03
26	0501010694	FLAT WASHER 32,50 X 75 X 4,75		03
27	0503014371	M8 SPRING WASHER		03
28	0521057556	HOSE KIT		01
28A	0521057558	HOSE 3/8 X 3200 TR-TM YELLOW/RED		01
28AA	0501080441	HOSE ASSY		01
28AB	0503034493	HYDRAULIC HOSE DEPTH (YELLOW)		01
28AC	0503034495	HYDRAULIC HOSE GRIP (RED)		01

Item	Code	Description	See page	QT
28AD	0503018952	PH 2,5 X 10 ZB PLASTIC BOLT		06
28B	0521057557	HOSE 3/8 X 3200 TR-TM YELLOW/BLUE		01
28BA	0501080441	HOSE ASSY		01
28BB	0503034493	HYDRAULIC HOSE DEPTH (YELLOW)		01
28BC	0503034494	HYDRAULIC HOSE GRIP (BLUE)		01
28BD	0503018952	PH 2,5 X 10 ZB PLASTIC BOLT		06
29	0501053834	MALE QUICK COUPLER	12	02
30	0503010267	NYLON CLAMP 3,60 X 1,3 X 155 MM		02
31	0541052148	RESERVOIR TANK		01
32	0503064277	SPRAYING KIT 3L (BS0023) 600L	28	01



Item	Code	Description	See page	QT
01	0503063001	SEMI MOUNTED PUMP	17	01
02	0503063000	MANUAL COMMAND	18	01
03	0503062999	FILTER SUCTION 1-1 / 4 ASSY	19	01
04	0503035052	WINDFOOT 300 PSI BLACK PVC HOSE 1 X 550		01
05	0503035047	WINDFOOT 300 PSI BLACK PVC HOSE 3/4 X 750		01
06	0503019497	3/4 HOSE CLAMP		01
07	0503035053	1" X 33" BLACK PVC 300 PSI WINDFOOT HOSE		01
08	0503035051	WINDFOOT 300 PSI BLACK PVC HOSE 1 X 250		01
09	0503035050	WINDFOOT 300 PSI BLACK PVC HOSE 3/4 X 1500		01
10	0503035043	WINDFOOT 300 PSI BLACK PVC HOSE 1/2 X 1500		01
11	0503063003	RESERVOIR OUTPUT ASSY	20	01
12	0503063004	AGITATOR KIT	21	01
13	0503063117	COMMUNICATOR VASE	24	01
14	0503036357	1/2 X 2550 BLACK 300 PSI PVCWINDFOOT HOSE		01
15	0503019631	SPRAYING TIP		03
16	0503019635	FEMALE STRAIGHT CONNECTION 8MM X 1/8		03
17	0503019474	STRAIGHT G3 / 8M D13 CONNECTION (SP3-1032113)		03
18	0503019473	1/2 HOSE CLAMP		03
19	0513012124	FEMALE STRAIGHT CONNECTION		03
20	0503019638	NOZZLE HOLDER CONNECTION		03
21	0503019643	POLYURETHANE TUBE 8MM X 550 BLUE		03
22	0503036357	1/2 X 2550 BLACK 300 PSI PVCWINDFOOT HOSE		01
23	0503036100	HOSE WINDFOOT 300 PSI PVC BLACK 1/2X1100		01



civemasa

Technical Publications | Elaboration and Revision

LORENA ROCHA ALVES

www.civemasa.com.br

