

PARTS CATALOGUE

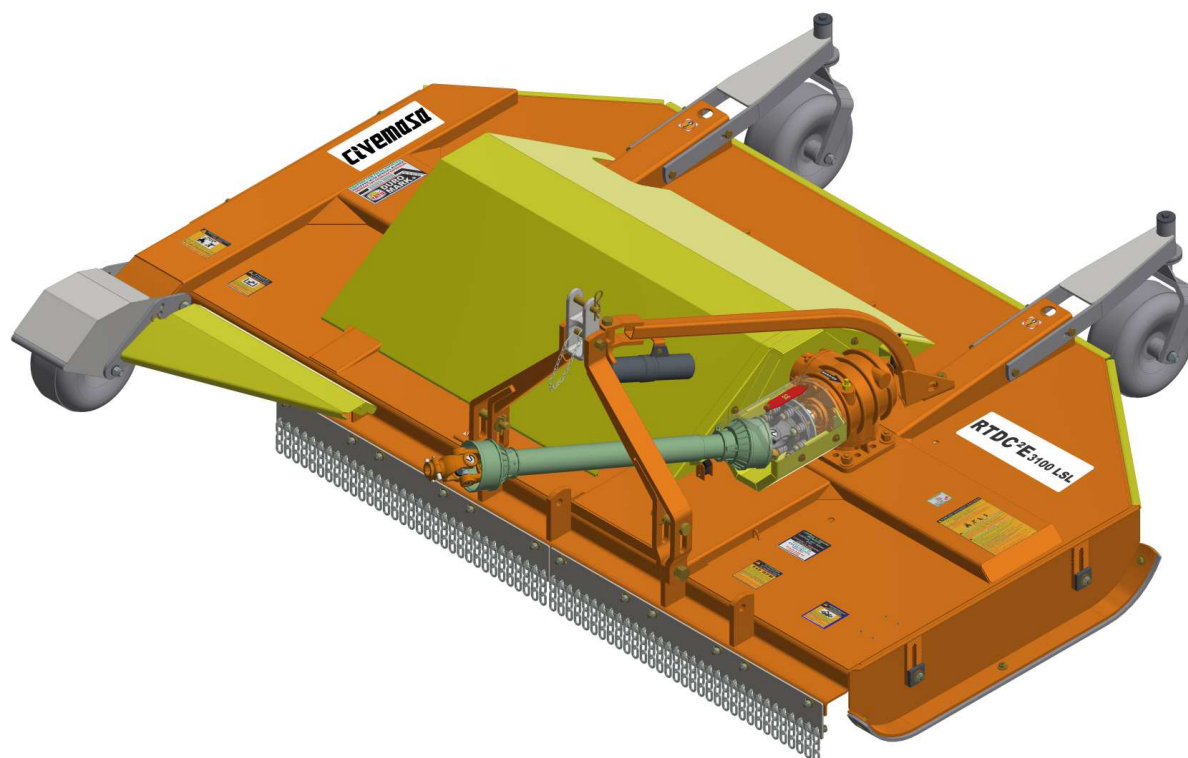
ROTARY CUTTERS

Code:

0501092805

Product:

RTDC2E 3100 LSL



Series:

S-0516

Revision:

00

Revision Date:


AGOSTO/2020

PRODUCTS

Code	Description
0121540042	RTDC2 E 3100 LSL C/R C/P S-0516

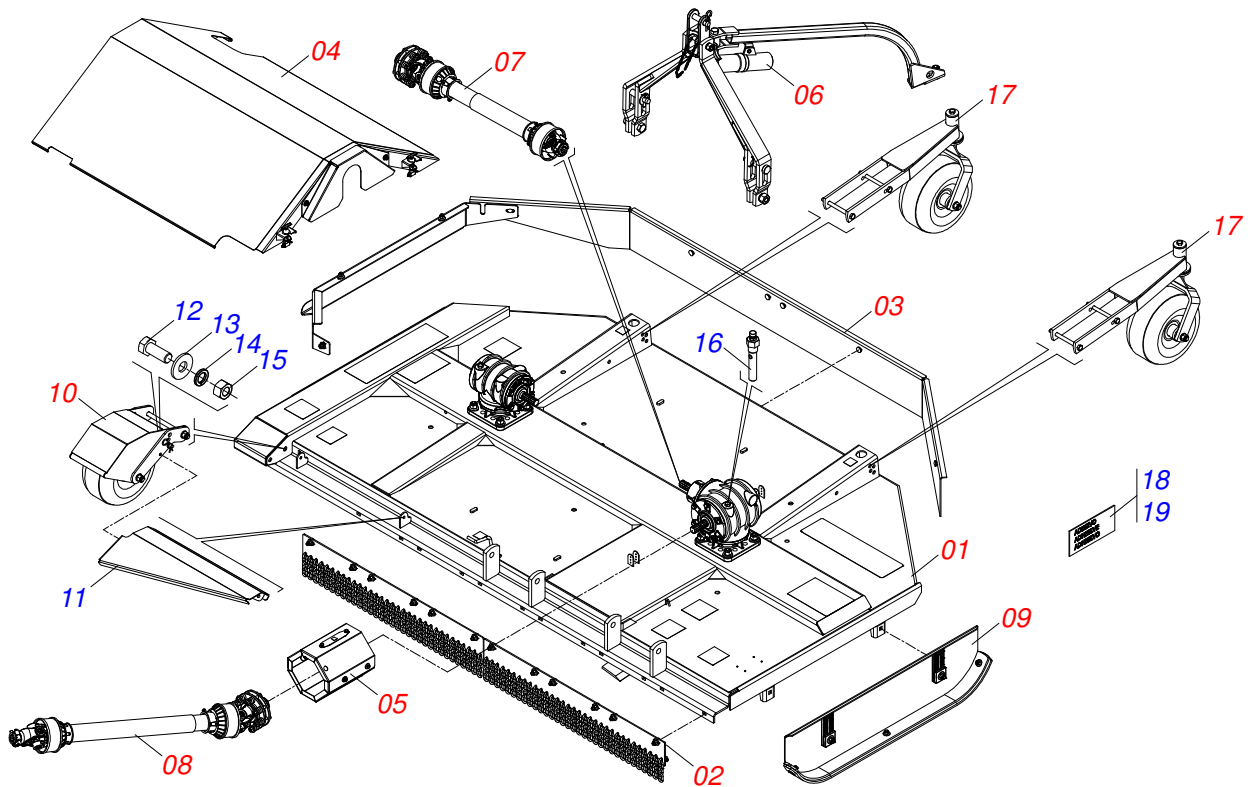
ATTENTION: IMPORTANT

Civemasa reserves the right to improve and / or modify the technical features of its products, without obligation to do the same with those products already sold and without prior knowledge of the dealer or the consumer.

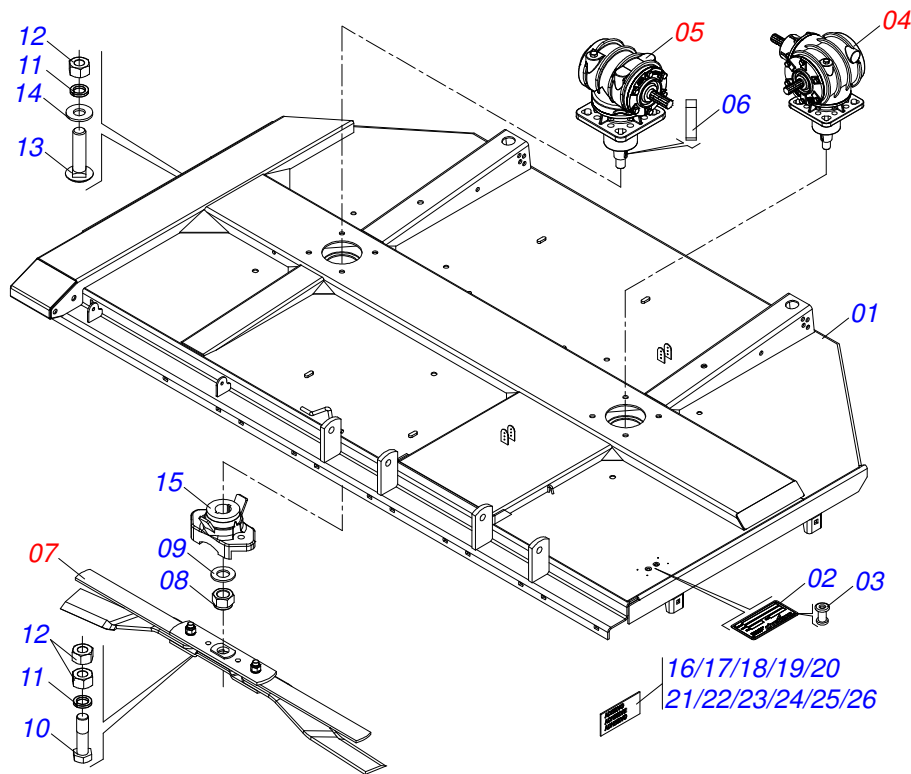


INDEX

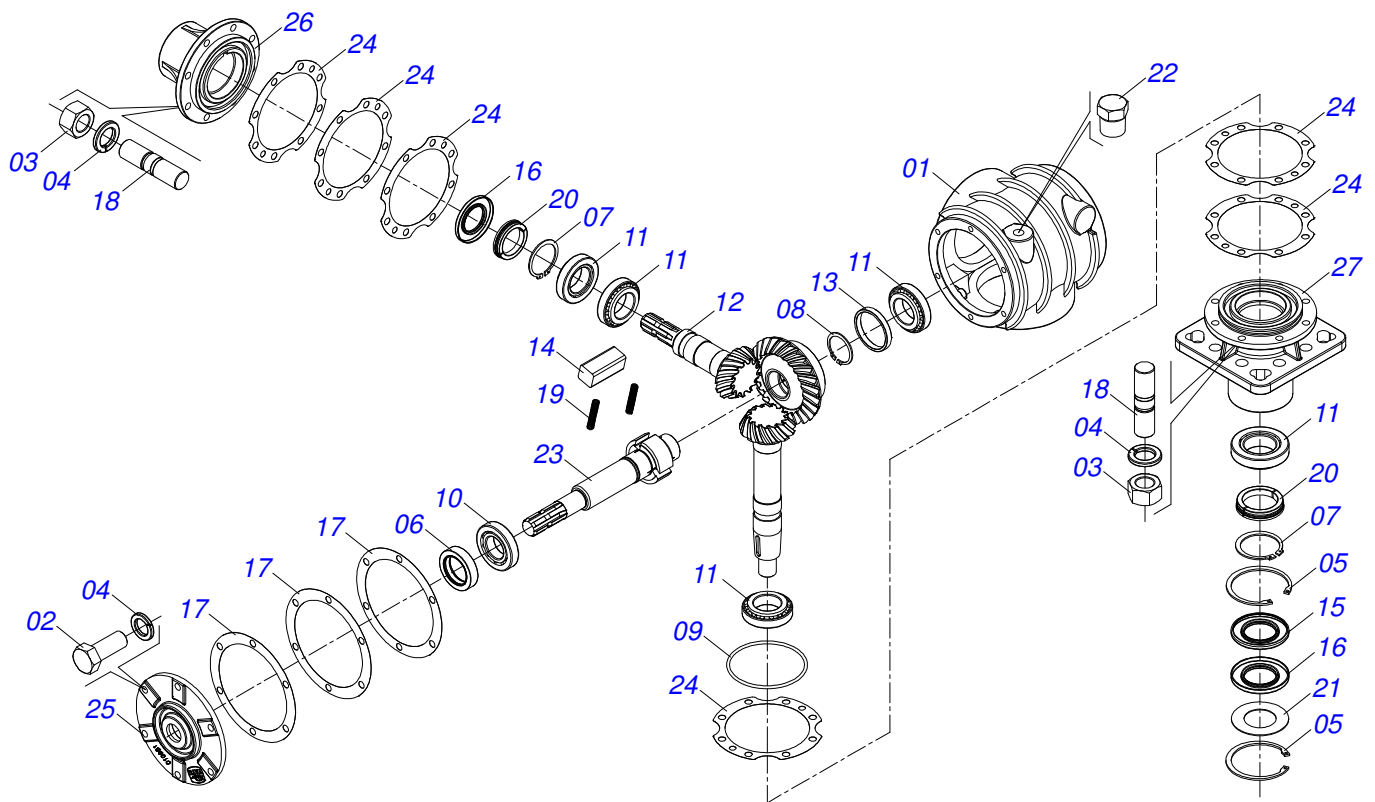
0909099212	FRAME ASSY	1
0521057756	SEMI-ASSEMBLED FRAME	2
0501047684	DISTRIBUTOR MULTIPLIER	3
0511040882	SPEED TRANSMISSION	4
0501056328	340 SUPPORT WITH LEFT ROCADOR	5
0521055541	FRONT CURRENT PROTECTION	6
0909099204	SIDE / REAR PROTECTION ASSY	7
0909099205	PROTECTION COVER ASSY	8
0909099206	CARDAN PROTECTIVE COVERS ASSY	9
0909099213	COMPLETE HEADER ASSY	10
0521057755	MANUAL CANISTER ASSY	11
0511041996	DRIVE SHAFT	12
0501045426	DRIVE SHAFT	13
0909099208	SKATE ASSEMBLY	14
0511044473	FRONT WHEEL RIGHT WITH ASSY PROTECTION	15
0521044739	CARRYING WHEELS ASSY	16



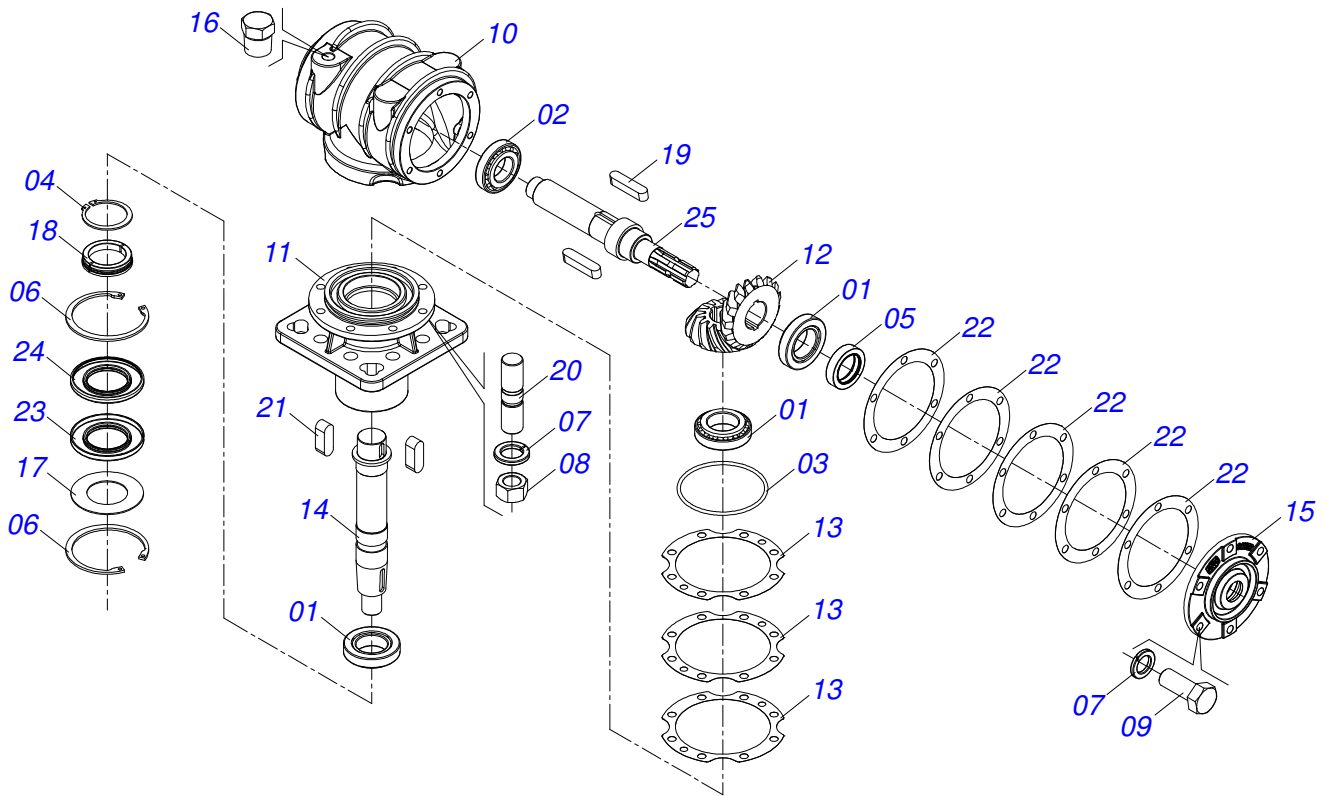
Item	Code	Description	See page	QT
01	0521057756	SEMI-ASSEMBLED FRAME	2	01
02	0521055541	FRONT CURRENT PROTECTION	6	02
03	0909099204	SIDE / REAR PROTECTION ASSY	7	01
04	0909099205	PROTECTION COVER ASSY	8	01
05	0909099206	CARDAN PROTECTIVE COVERS ASSY	9	01
06	0909099213	COMPLETE HEADER ASSY	10	01
07	0511041996	DRIVE SHAFT	12	01
08	0501045426	DRIVE SHAFT	13	01
09	0909099208	SKATE ASSEMBLY	14	01
10	0511044473	FRONT WHEEL RIGHT WITH ASSY PROTECTION	15	01
11	0511065814	FRONT PROTETION COVER		01
12	0503010395	1/2" X 1-1/4" BOLT		01
13	0511017302	FLAT WASHER		01
14	0503010019	1/2" SPRING WASHER		01
15	0503010060	1/2" NUT		01
16	0501110186	OIL SMALLER LEVEL INDICATOR		02
17	0521044739	CARRYING WHEELS ASSY	16	02
18	0503033647	APPROVED BADGE		01
19	0503031127	ADHESIVE LABEL		02



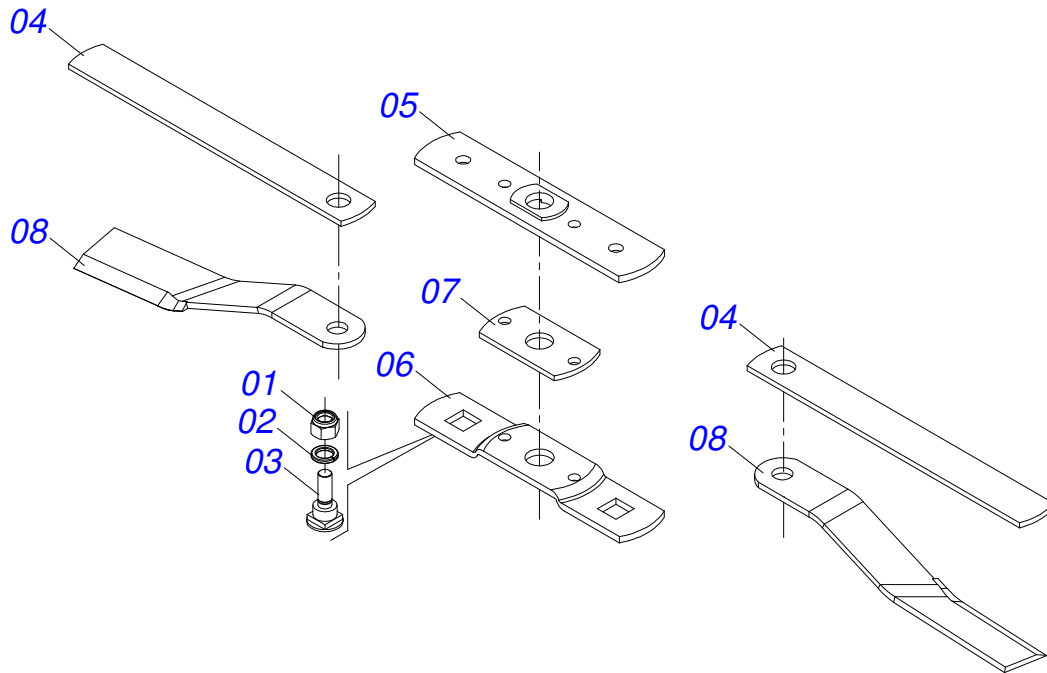
Item	Code	Description	See page	QT
01	0521069399	FRAME		01
02	0503034004	ALUMINUM IDENTIFICATION LABEL		01
03	0503010001	3.2 X 5.5 RIVET		04
04	0501047684	DISTRIBUTOR MULTIPLIER	3	01
05	0511040882	SPEED TRANSMISSION	4	01
06	0501010536	KEYWAY SQUARE		04
07	0501056328	340 SUPPORT WITH LEFT ROGADOR	5	02
08	0503010817	1.1/4" SELF LOCKING NUT		02
09	0501017779	32 X 60 X 4.75 FLAT WASHER		02
10	0503011328	3/4" X 4" BOLT		04
11	0503011442	3/4" SPRING WASHER		12
12	0503010014	3/4" NUT		16
13	0503017867	SCREW 3/4 UNC X 4.1/2 CAPQ G.7 ZN		08
14	0501010322	FLAT WASHER		08
15	0502012453	SUPPORT FLANGE		02
16	0503033242	ADHESIVE		01
17	0503034078	LIFTING POINTS DECAL		03
18	0503032949	ADHESIVE LABEL		01
19	0503032535	LABEL ADHESIVE CARDAN SIDE		01
20	0503032060	ADHESIVE LABEL		01
21	0503031932	ADHESIVE LABEL		01
22	0503031930	ADHESIVE LABEL		01
23	0503031929	ADHESIVE LABEL		01
24	0503031428	READ MANUAL DECAL		01
25	0503031427	ADHESIVE LABEL		01
26	0503035126	EMBLEM RTDC2 E 3100 LSL		01



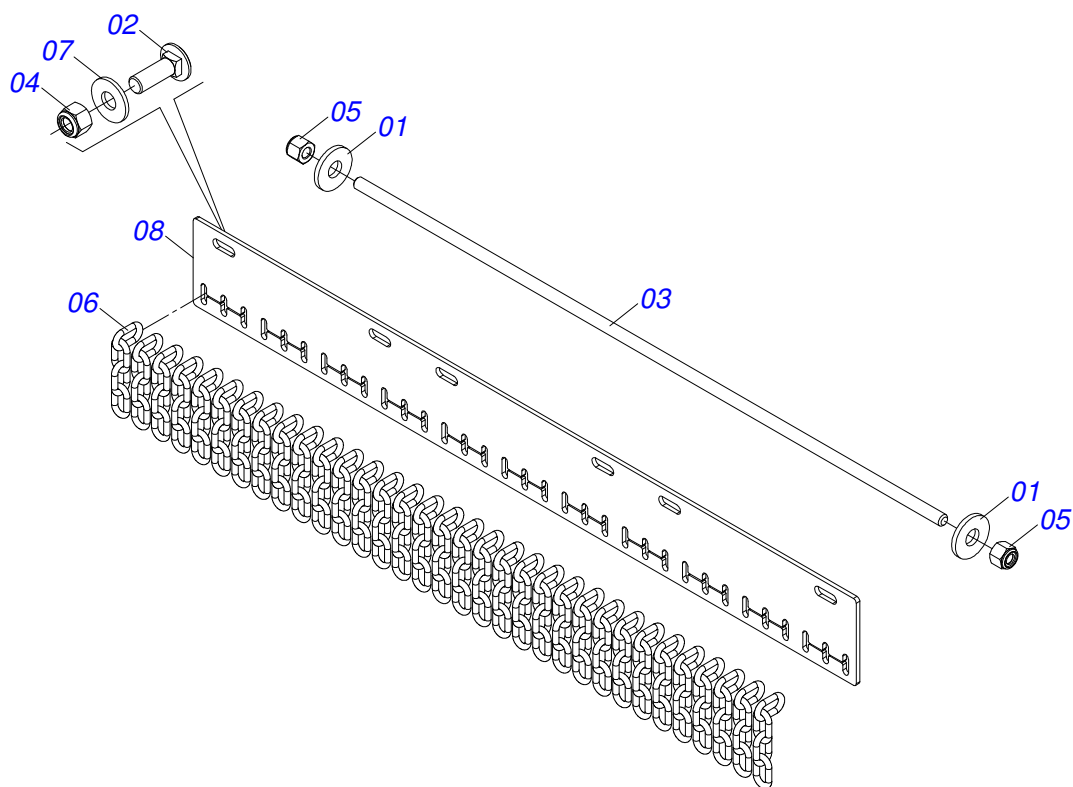
Item	Code	Description	See page	QT
01	0502011171	MULTIPLIER BOX	01	
02	0503010395	1/2" X 1-1/4" BOLT	06	
03	0503010028	1/2" NUT	16	
04	0503011440	SPRING WASHER	22	
05	0503011190	SEAL RING	02	
06	0503011171	00912-BRG SEAL	01	
07	0503010396	501060 CLAMPING RING (FOR AXLE)	02	
08	0503010372	501050 CLAMPING RING (FOR AXLE)	01	
09	0503010286	2-355 N 3006-9B O'RING	01	
10	0503010037	30207 ROLLER BEARING	01	
11	0503010006	32210 ROLLER BEARING	05	
12	0503060216	CROWN PINION SET	01	
13	0571013096	FLAT WASHER Ø63.45 X Ø72.85 X 10	01	
14	0501010649	RATCHET CLICK	03	
15	0503011201	5089 SEAL WITH HOLE	01	
16	0503011047	5089 SEAL	02	
17	0503030784	8.5" X 6.7" X 0.01" JOINT	03	
18	0503030084	1/2" X 1/2" X 2.0" STUD	16	
19	0503030051	0.2" X 1" X 0.1" COMPRESSION SPRING	06	
20	0511010142	LOCK RING	02	
21	0521018064	FLAT WASHER	01	
22	0503031604	1/2" BSP PLUG	01	
23	0503050051	UPPER AXLE	01	
24	0503030785	7.9" X 5.9" X 0.008" JOINT	06	
25	0502010981	LARGER COVER	01	
26	0502011997	SIDE BOX	01	
27	0502011392	HOUSING LOWER	01	
28	3402301247	MINERAL OIL GREASE	04	



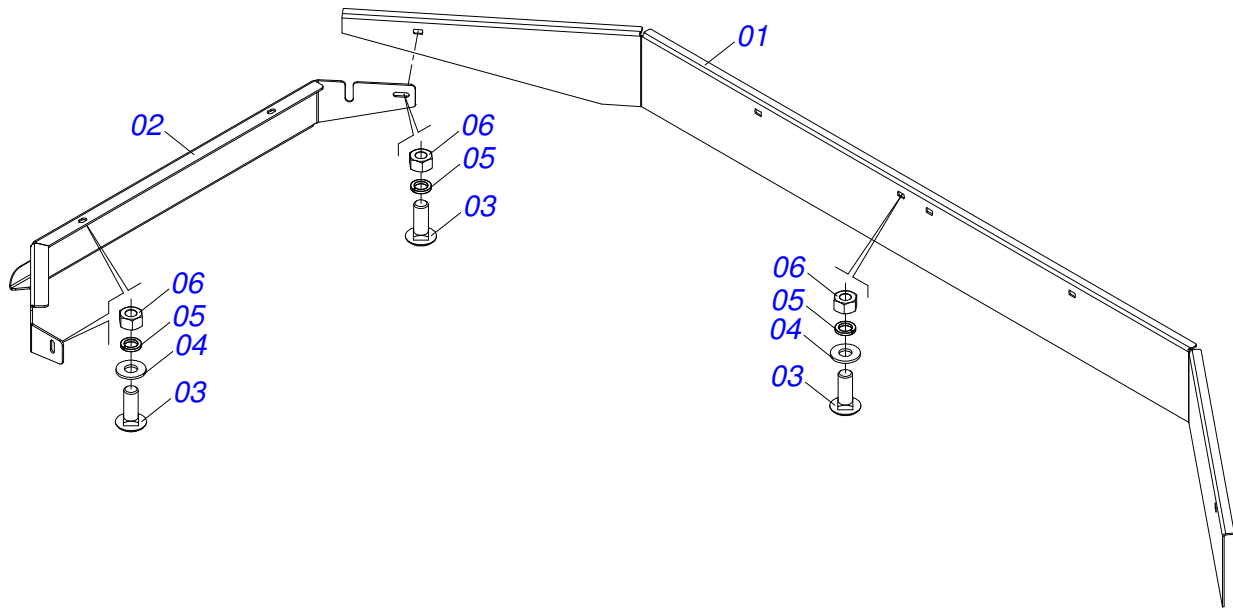
Item	Code	Description	See page	QT
01	0503010006	32210 ROLLER BEARING		03
02	0503010037	30207 ROLLER BEARING		01
03	0503010286	2-355 N 3006-9B O'RING		01
04	0503010396	501060 CLAMPING RING (FOR AXLE)		01
05	0503011171	00912-BRG SEAL		01
06	0503011190	SEAL RING		02
07	0503011440	SPRING WASHER		14
08	0503810028	NUT 1/2 NF SA		08
09	0503810395	SCREW 1/2 UNC X 1.1/4 CSRT G.5 SA		06
10	0502010984	LEFT MULTIPLIER BOX		01
11	0502011392	HOUSING LOWER		01
12	0503060249	CONICAL GEAR SET FOR DOUBLE DISTRIBUTOR		01
13	0503030785	7.9" X 5.9" X 0.008" JOINT		03
14	0503050048	AXLE LOWER		01
15	0502011152	SMALLER COVER		01
16	0503031604	1/2" BSP PLUG		01
17	0521818064	FLAT WASHER		01
18	0511010142	LOCK RING		01
19	0501010536	KEYWAY SQUARE		02
20	0503830084	PRISONER 1/2 UNC X 1/2 UNF X 50 SA		08
21	0501012993	0.4" X 1.1"KEYWAY SQUARE		02
22	0503030783	7.1" X 5.3" X 0.008" JOINT		05
23	0503011047	5089 SEAL		01
24	0503011201	5089 SEAL WITH HOLE		01
25	0503050067	UPPER AXLE		01
26	3402301247	MINERAL OIL GREASE		3,4Lts



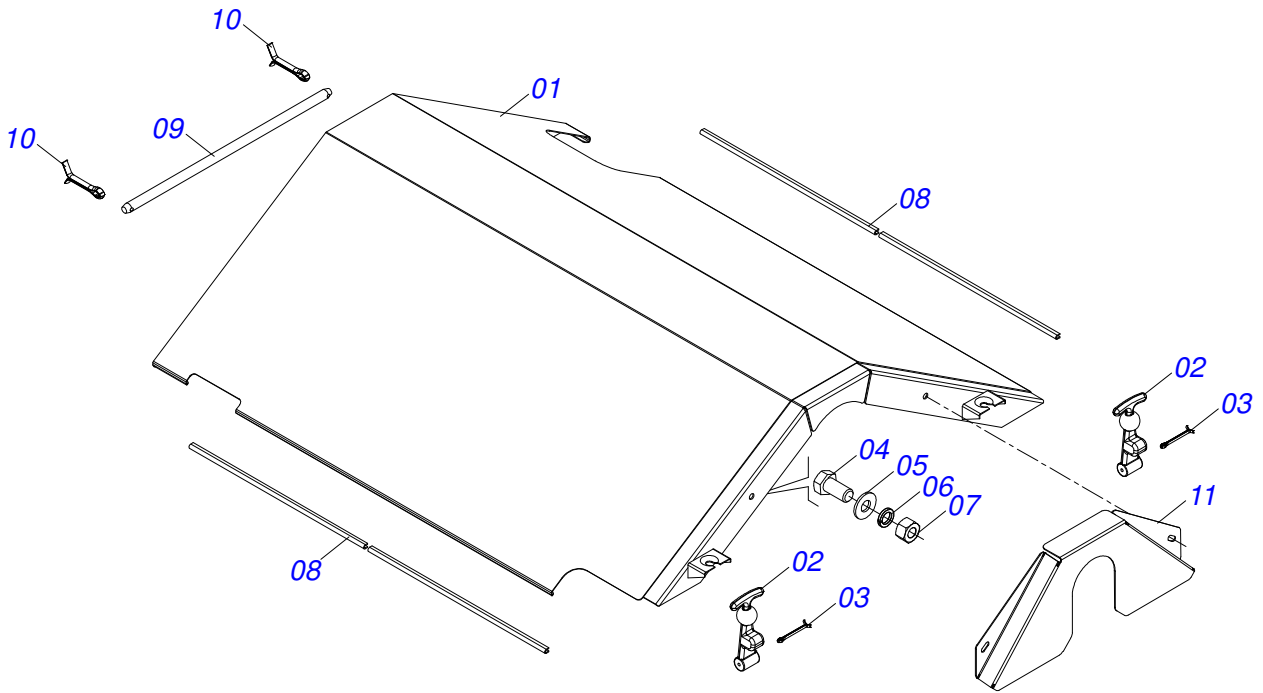
Item	Code	Description	See page	QT
01	0503010812	7/8" UNF SELF LOCKING NUT		02
02	0503011447	SPRING WASHER		02
03	0531014512	FASTERNER ROCADORES		02
04	0531015055	620 FOLLOWER		02
05	0561017308	SUPPORT UPPER BASE		01
06	0561017368	ROTARY LOWER SUPPORT		01
07	0561017309	ROCADORES SUPPORT CHOCK		01
08	0622400075	ROTARY CUTTER		02



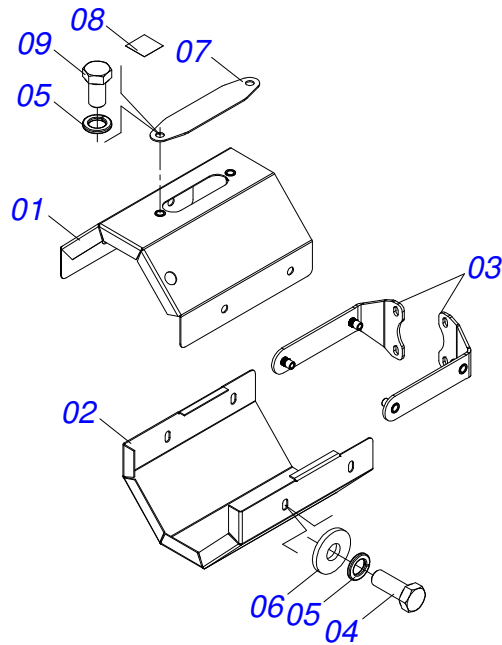
Item	Code	Description	See page	QT
01	0501010984	FLAT WASHER		02
02	0501011600	1/2" X 1-1/4" BOLT		06
03	0581018887	ROD PROTECTION CURRENT		01
04	0503012682	1/2" BSW NUT		06
05	0503013759	NUT		02
06	0511011774	8,00 CHAIN 4 LINK		33
07	0511017302	FLAT WASHER		06
08	0581018886	BODY CURRENT PROTECTION		01



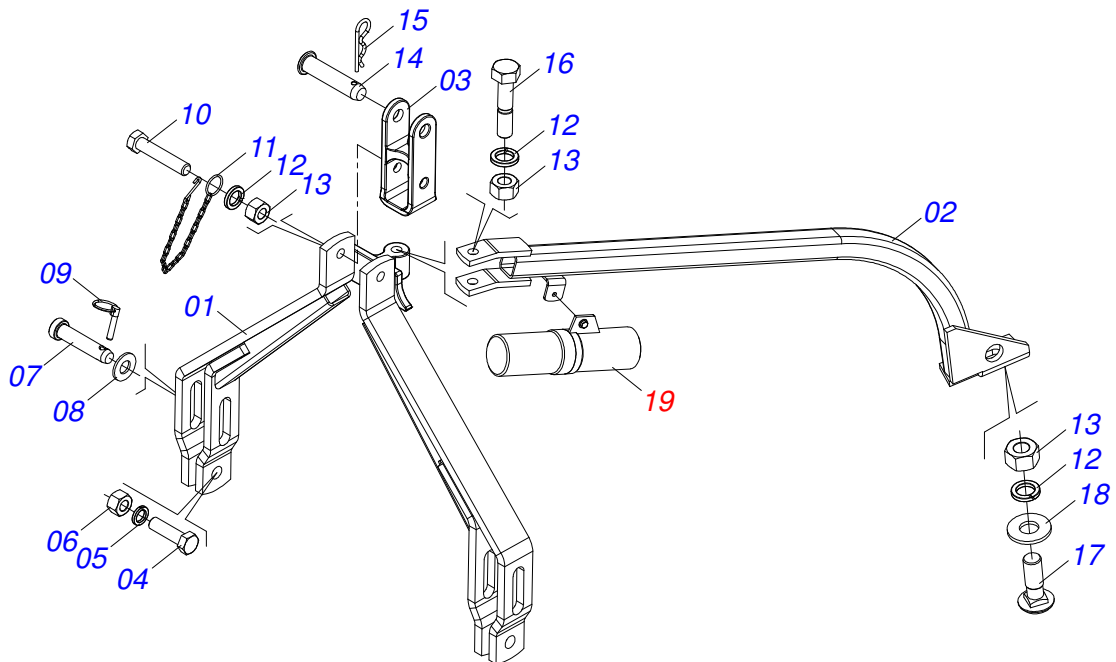
Item	Code	Description	See page	QT
01	0581018885	REAR PROTECTION		01
02	0591010087	SIDE PROTECTION		01
03	0501011600	1/2" X 1-1/4" BOLT		09
04	0511017302	FLAT WASHER		08
05	0503010019	1/2" SPRING WASHER		09
06	0503012682	1/2" BSW NUT		09



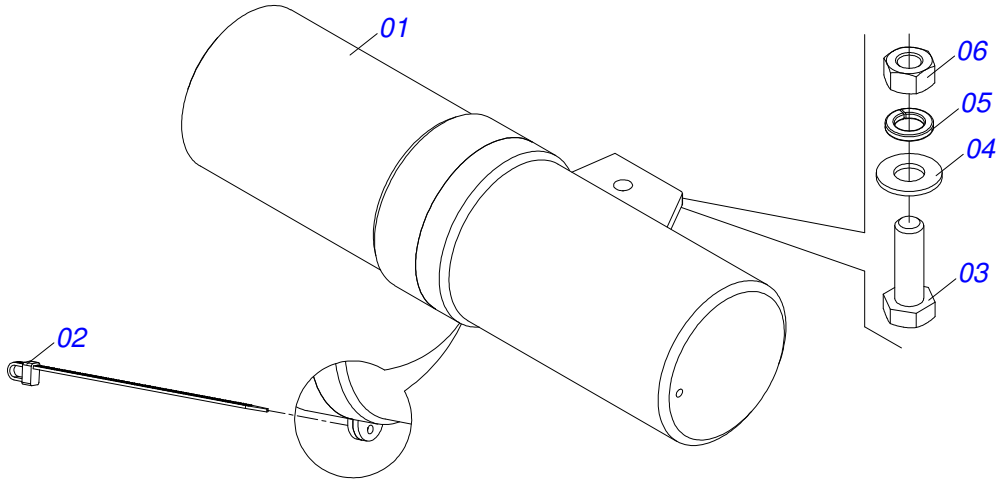
Item	Code	Description	See page	QT
01	0521069400	PROTECTION COVER		01
02	0503011333	COVER FIXER		02
03	0503010274	5/32"X 2" COTTERPIN		02
04	0503010256	3/8" X 3/4" BOLT		02
05	0501010984	FLAT WASHER		02
06	0503010025	3/8" SPRING WASHER		02
07	0503010026	3/8" NUT		02
08	0591012190	GARRISON PROTECTION COVER		02
09	0521011670	AXLE WITH PROTECTION		01
10	0503010300	5/32" X 1" COTTERPIN		02
11	0581013608	COMPLEMENT COVER PROTECTION		01



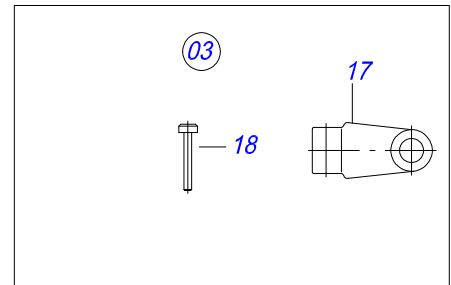
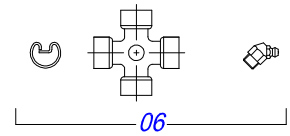
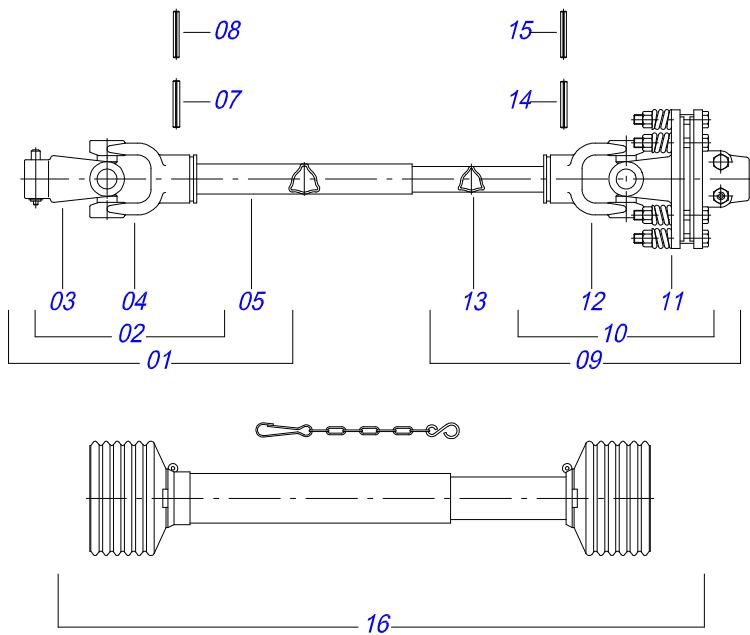
Item	Code	Description	See page	QT
01	0501111018	CARDAN TOP PROTECTION COVER		01
02	0581012533	CARDAN LOWER PROTECTION COVER		01
03	0501110996	LOWER SUPPORT COVER PROTECTION WITH RIVET		02
04	0503010751	C3/8" X 1.1/4" HEX BOLT G.5		04
05	0503010025	3/8" SPRING WASHER		06
06	0501010984	FLAT WASHER		04
07	0581012546	LUBRICATION AXIS TRANSMISSION		01
08	0503034247	ADHESIVE LABEL POINT LUBRICATION		01
09	0503010256	3/8" X 3/4" BOLT		02



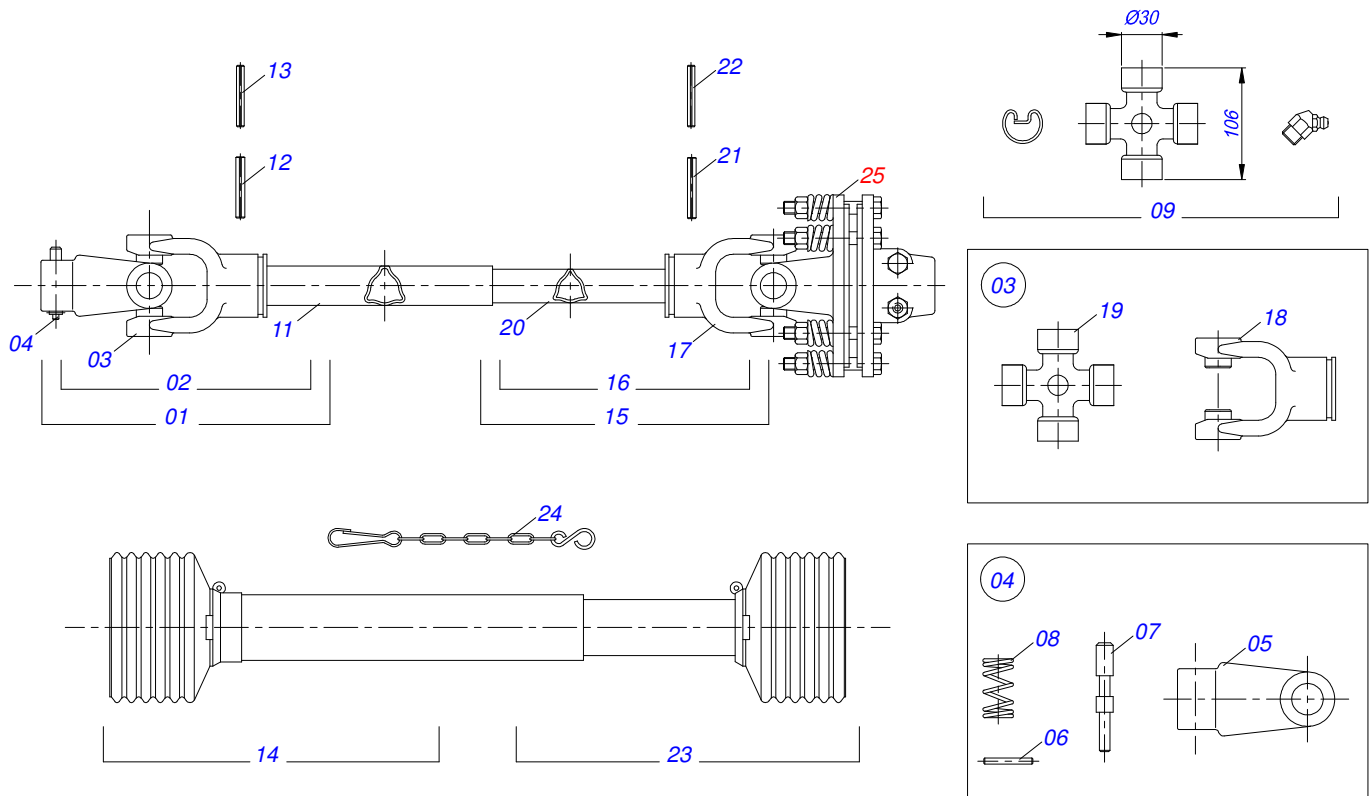
Item	Code	Description	See page	QT
01	0511062006	DRAWBAR		01
02	0501067540	FRENCH HAND		01
03	0502040922	HEADER SUPPLEMENT		01
04	0503011432	BOLT		02
05	0503010012	1" SPRING WASHER		02
06	0501010059	1.5/8 NUT		02
07	0521010629	1.1" X 5.1" COUPLING SHAFT		02
08	0501010065	1" SPRING WASHER		02
09	0503030430	7/16 X 2" PIN LOCK		02
10	0503011198	C3/4" X 6" SCREW		01
11	0503011981	17.7" CHAIN WITH HOOK/LINK		01
12	0503010023	3/4" SPRING WASHER		03
13	0503010014	3/4" NUT		03
14	0521010578	COUPLING SHAFT		01
15	0503031035	HAIR PIN		01
16	0501010216	3/4" X 4-1/2" BOLT		01
17	0501017305	3/4" X 2-1/4" BOLT		01
18	0501010322	FLAT WASHER		01
19	0521057755	MANUAL CANISTER ASSY	11	01



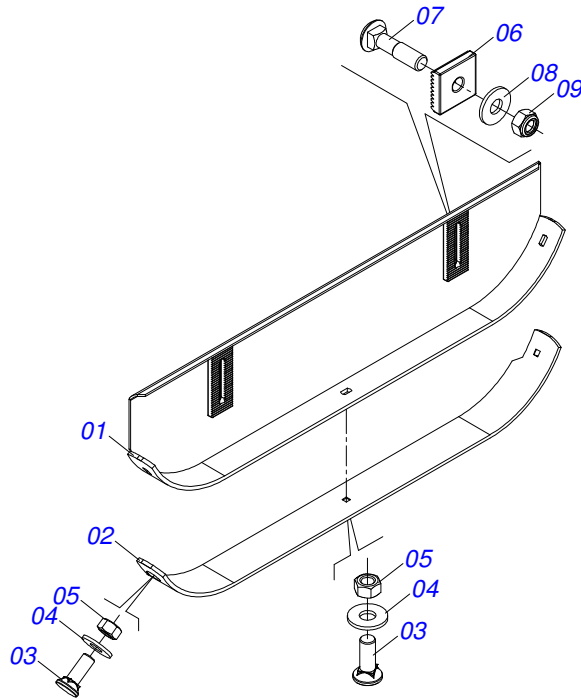
Item	Code	Description	See page	QT
01	0503060100	OPERATOR'S MANUAL STORAGE TUBE		01
02	0503010267	NYLON CLAMP		01
03	0503010363	5/16" X 1" BOLT		01
04	0501010694	8.5 X 18 X 1.5 FLAT WASHER		01
05	0503010179	5/16" ZN SPRING WASHER		01
06	0503010337	5/16" NUT		01



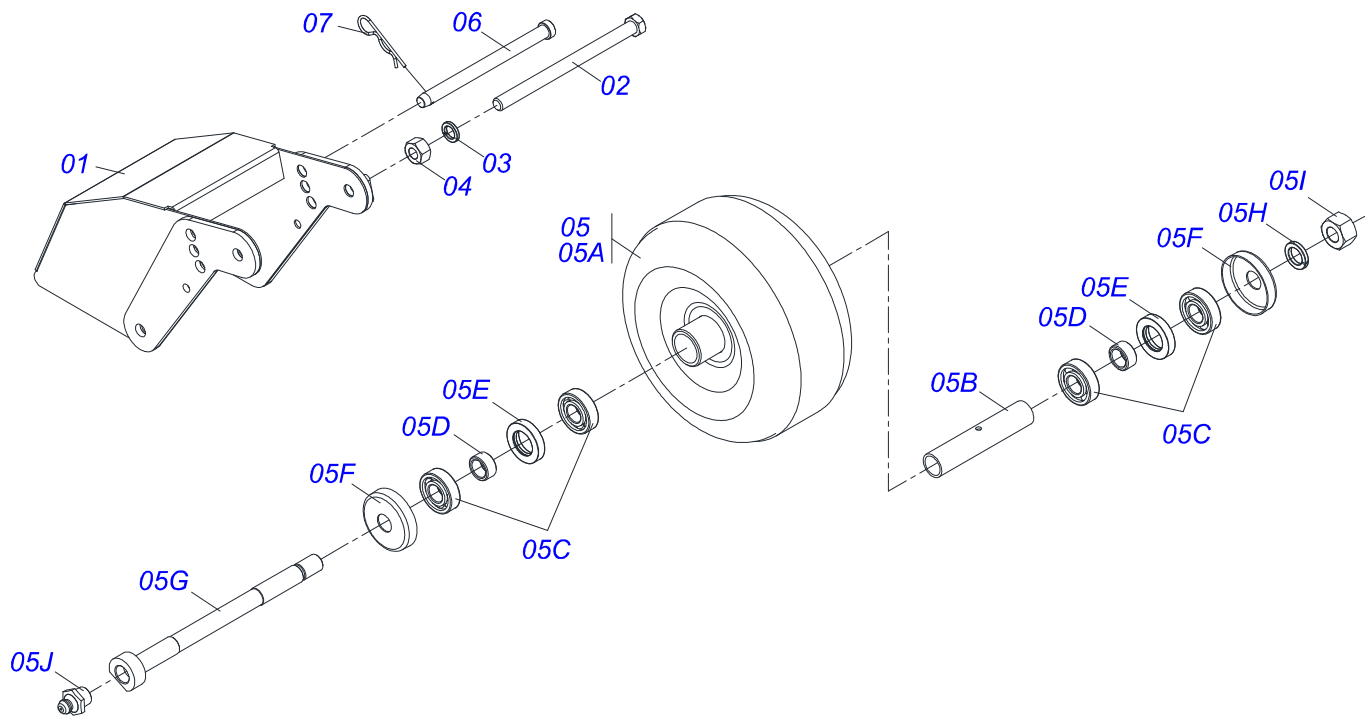
Item	Code	Description	See page
01	0501055309	UNIVERSAL JOINT W/FEMALE TUBE	01
02	0501055308	UNIVERSAL JOINT	01
03	0501052516	T6-60 TERMINAL WITH SCREW	01
04	0503012608	T2-60/CI51 TERMINAL	01
05	0503013240	FEMALE TRIANGULAR TUBE	01
06	0503010837	CARDAN CROSSPIECE	01
07	0503010843	0.4" X 3.3" SPRING PIN	01
08	0503011878	0.2" X 3.3" SPRING PIN	01
09	0501055310	UNIVERSAL JOINT	01
10	0501052520	UNIVERSAL JOINT WITH CROSSPIECE	01
11	0501049150	90 KGM FRICTION	01
12	0503012600	T3-60/CI52 TERMINAL	01
13	0503013241	MALE TRIANGULAR TUBE	01
14	0503011069	0.4" X 2.8" SPRING PIN	01
15	0503011805	0.2" X 2.8" SPRING PIN	01
16	0503012074	PROTECTION ASSY	01
17	0502010830	6-60 STRIATED 1.3/8" TERMINAL	01
18	0501047759	1/2" X 3-1/2" BOLT ASSY	01



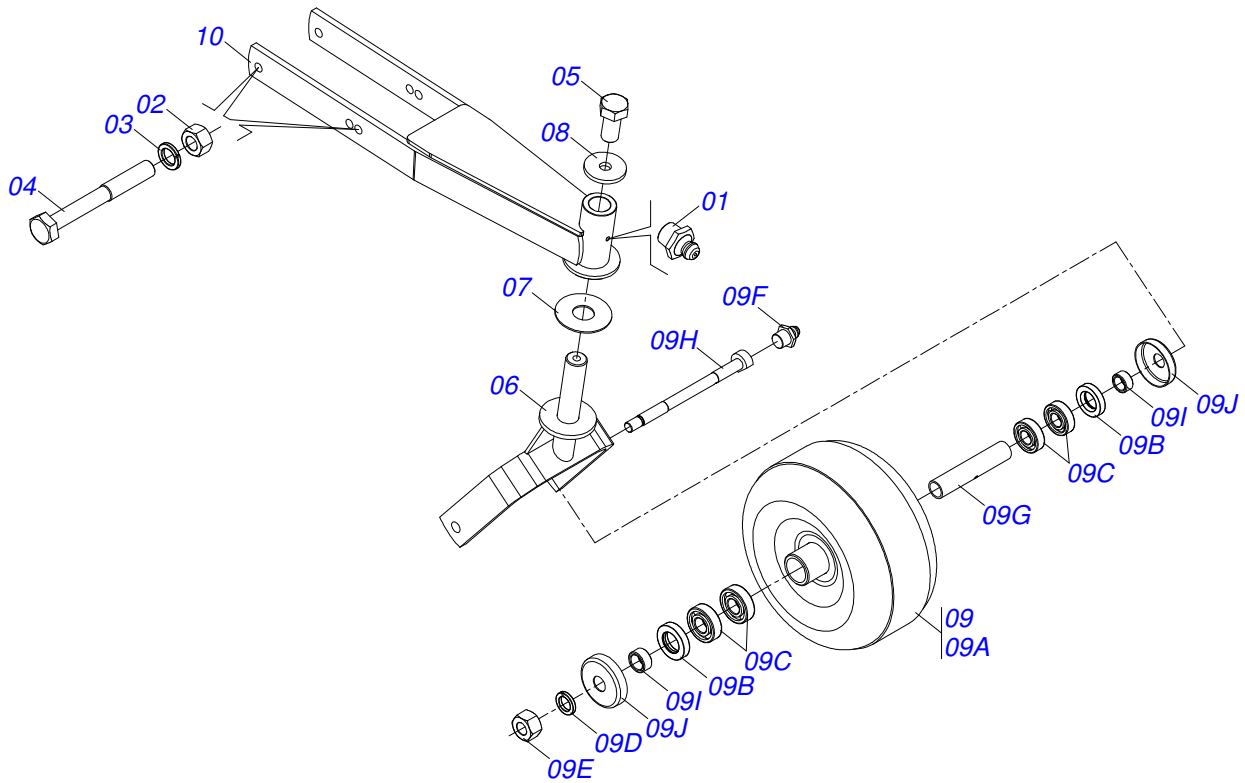
Item	Code	Description	See page	QT
01	0501052529	UNIVERSAL JOINT WITH SLEEVE/PROT		01
02	0501052523	UNIVERSAL JOINT WITH SLEEVE		01
03	0501052524	UNIVERSAL JOINT		01
04	0501050334	1-60 TERMINAL WITH QUICK HITCH		01
05	0502010568	1-60 STRIATED 1.3/8" TERMINAL		01
06	0503010838	0.1" X 0.8" SPRING PIN		02
07	0503037375	PIN QUICK COUPLING		02
08	0503030518	0.5"X1.0"X 0.1" COMPRESSION SPRING		02
09	0503010837	CARDAN CROSSPIECE		01
10	0503012608	T2-60/CI51 TERMINAL		01
11	0503012609	2.1" X 2.0" X 35" TRIAN FEMALE TUB		01
12	0503010843	0.4" X 3.3" SPRING PIN		01
13	0503011878	0.2" X 3.3" SPRING PIN		01
14	0503012075	PROTECTION FOR UNIV JOINT AND SLEEV		01
15	0501052554	UNIVERSAL JOINT WITH SHAFT/PROT		01
16	0501052553	UNIVERSAL JOINT WITH CROSS/SHAFT		01
17	0501052520	UNIVERSAL JOINT WITH CROSSPIECE		01
18	0503012600	T3-60/CI52 TERMINAL		01
19	0503010837	CARDAN CROSSPIECE		01
20	0503012610	1.8" X 1.7" X 35" TRIAN MALE TUB		01
21	0503011069	0.4" X 2.8" SPRING PIN		01
22	0503011805	0.2" X 2.8" SPRING PIN		01
23	0503012076	PROTECTION FOR UNIV JOINT AND AXLE		01
24	0503012023	CHAIN FOR PROTECTION		02
25	0501049150	90 KGM FRICTION		01



Item	Code	Description	See page	QT
01	0511065799	SKID		01
02	0531019433	SKID GUIDE		01
03	0503012956	1/2" X 1-1/2" BOLT		03
04	0511017302	FLAT WASHER		03
05	0503012682	1/2" BSW NUT		03
06	0502010083	SQUARE WASHER		02
07	0501014177	5/8" X 2-1/2" BOLT		02
08	0501012140	FLAT WASHER		02
09	0503013389	5/8" SELF LOCKING NUT		02



Item	Code	Description	See page	QT
01	0521061648	COVER FRONT WHEEL SUPPORT		01
02	0503012951	3/4" X 10-1/2" BOLT		01
03	0503010023	3/4" SPRING WASHER		01
04	0503010014	3/4" NUT		01
05	0501053885	ARM REAR WHELL		01
05A	0511063509	14" X 8" WHELL		01
05B	0531014502	0.9" X 1.1" X 6.3" SLEEVE		01
05C	0503010269	6204 BALL BEARING		04
05D	0521010487	SPACER WASHER		02
05E	0503010268	00262-B SEAL		02
05F	0511014254	DUST CLOAK		02
05G	0551011854	REAR CARRYING WHEELS AXLE		01
05H	0503011442	3/4" SPRING WASHER		01
05I	0503010014	3/4" NUT		01
05J	0503010002	1800 GREASE FITTING		01
06	0541018559	REAR WHELL CONTROL AXLE		01
07	0503030012	HAIR PIN		01
08	1882970002	GREASE SOAP		01Kg



Item	Code	Description	See page	QT
01	0503010002	1800 GREASE FITTING		01
02	0503010013	5/8" NUT		02
03	0503010027	5/8" SPRING WASHER		02
04	0503010795	5/8" X 7" BOLT		02
05	0503010962	5/8" X 1-1/4" BOLT		01
06	0511065664	WHEELS FORK		01
07	0511013239	FLAT WASHER		01
08	0511010721	FLAT WASHER		01
09	0501053885	ARM REAR WHELL		01
09A	0511063509	14" X 8" WHELL		01
09B	0503010268	00262-B SEAL		02
09C	0503010269	6204 BALL BEARING		04
09D	0503011442	3/4" SPRING WASHER		01
09E	0503010014	3/4" NUT		01
09F	0503010002	1800 GREASE FITTING		01
09G	0531014502	0.9" X 1.1" X 6.3" SLEEVE		01
09H	0551011854	REAR CARRYING WHEELS AXLE		01
09I	0521010487	SPACER WASHER		02
09J	0511014254	DUST CLOAK		02
10	0521065281	WHEEL SUPPORT		01
11	1882970002	GREASE SOAP		02



CIVEMASA

www.civemasa.com.br



Technical Publications | Elaboration and Revision
ALESSANDRA PATRICIA KAWAHARA CARRILI